



Zippie IRIS
March 2024
EIZ5A

Date: _____ Dealer Acct #: _____ Dealer: _____ Dealer Contact: _____ Dealer Address: _____ Dealer City: _____ Prov: _____ PC: _____ Dealer Phone: () _____ Fax: () _____ Confirm Via: <input type="checkbox"/> Fax <input type="checkbox"/> Email Mark For: _____	SUBMITTING FOR: <input type="checkbox"/> Quote <input type="checkbox"/> Order PO#: _____ Ship To: _____ Attention: _____ Address: _____ Address: _____ Ship To City: _____ Prov: _____ PC: _____ Ship To Phone: () _____ Fax: () _____
---	--

✓ Option #	Definition	Price	✓ Option #	Definition	Price
------------	------------	-------	------------	------------	-------

1. FRAME

Base Model			
Maximum user weight is 225 lbs. Maximum weight capacity for Z-Finity footrests is 165 lbs.			
<input type="checkbox"/>	188WM48	Zippie IRIS Transit Included <i>Includes True Fit Growth</i>	\$4,367
<input type="checkbox"/>	188WM47	Zippie IRIS Transit Optional <i>Includes True Fit Growth</i>	\$4,367
<input type="checkbox"/>	188WM91	Zippie IRIS Folding Transit Included <i>Includes True Fit Growth. N/A with Mono Back or Rocker Cover</i>	\$4,602
<input type="checkbox"/>	188WM90	Zippie IRIS Folding Transit Optional <i>Includes True Fit Growth. N/A with Mono Back or Rocker Cover</i>	\$4,602

Transit (For use when Transit Optional frame is selected)			
<input type="checkbox"/>	188TO45	Transit Optional	NC
Tilt Release Options			
<input type="checkbox"/>	188TT8	Foot Release <i>N/A with Vent and Battery Tray. May limit folded width, folding frame defaults to right side</i> <input type="checkbox"/> Left <input type="checkbox"/> Right (facing from rear)	NC
<input type="checkbox"/>	188TT12	Dual Trigger Cable Release	NC

Frame Struts (Rigid Frames Only)			
<input type="checkbox"/>	188GY01	Fixed Struts <i>Growth thru kits N/A w/ Folding Frame</i>	STD
<input type="checkbox"/>	188GY02	Width Adjusting System <i>Built in growth of 2" N/A w/ Mono Back or Folding</i>	\$69

Pre-Set Tilt Angle (55° range) (Default in Bold, N/A w/ reclining back)			
<input type="checkbox"/>	188TA5	-5° to 50° <i>N/A with 12.5" STFH</i>	NC
<input type="checkbox"/>	188TA6	0° to 55°	STD
<input type="checkbox"/>	188TA7	+5° to 60°	NC

Frame Options			
<input type="checkbox"/>	188FT46	Contracture Seat Frame <i>N/A w/10" Frame Depth or Folding Frame</i>	NC
<input type="checkbox"/>	188FS29	Battery Tray <i>N/A w/ 10" & 11" frame widths, foot wheel lock or Folding Frame</i>	\$608

Pre-Set Tilt Angle (40° range) (Default in Bold)			
<input type="checkbox"/>	188TA8	-5° to 35° <i>N/A with 12.5" STFH</i>	NC
<input type="checkbox"/>	188TA9	0° to 40°	STD
<input type="checkbox"/>	188TA10	+5° to 45°	NC

2. SIZE / SEATING

Frame Width (Personalized set-up on 17" & 18" folding frame thru B4Me)			
<input type="checkbox"/>	188W1	10" - N/A w/ Mono Backrest	NC
<input type="checkbox"/>	188W2	11" - N/A w/ Mono Backrest	NC
<input type="checkbox"/>	188W3	12"	NC
<input type="checkbox"/>	188W4	13"	NC
<input type="checkbox"/>	188W5	14"	STD
<input type="checkbox"/>	188W6	15"	NC
<input type="checkbox"/>	188W7	16" - Folding Frame Grows to 18"	NC
<input type="checkbox"/>	188W8	17" - Folding Frame Grows to 18"	NC
<input type="checkbox"/>	188W9	18" - No Growth w/ Folding Frame	NC

Made to Order Seating			
<i>For best seating to wheelchair integration, utilize universal hardware.</i>			
<input type="checkbox"/>	188QC01	JAY SureFit	
<input type="checkbox"/>	188QC02	JAY AES / ConfigureFit	
<input type="checkbox"/>	188QC03	JAY Fit	

Seats			
<input type="checkbox"/>	188ST35	Seat Pan-Growable <i>Some limits may exist. See Page 9 for matrix of offering</i>	\$243
<input type="checkbox"/>	188ST36	Drop Seat Pan	\$243
<input type="checkbox"/>	188ST54	Omit Seat Pan	STD

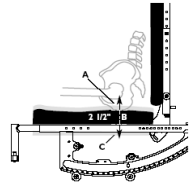
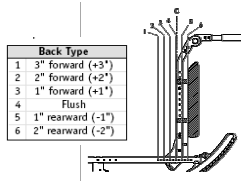
JAY Cushions (Optional)				
<i>To order any JAY cushions on-chair, please see the JAY price list. Cushion name or part number must be filled out with desired width and depth.</i>				
<input type="checkbox"/>	188JC20	JAY Bundled Cushion		Price List
		Name / Part #		
		Width:	Depth:	

2. SIZE / SEATING CONT.

Frame Depth

(Choose Selections from A OR B)

Selection A: Frame Depth Set up By Zippie				
Desired Seat Depth				
<input type="checkbox"/> 10"	<input type="checkbox"/> 11"	<input type="checkbox"/> 12"	<input type="checkbox"/> 13"	<input type="checkbox"/> 14"
<input type="checkbox"/> 15"	<input type="checkbox"/> 16"	<input type="checkbox"/> 17"	<input type="checkbox"/> 18"	
Back Type				
<input type="checkbox"/> 3"	<input type="checkbox"/> 2"	<input type="checkbox"/> 1"		
<input type="checkbox"/> Flush	<input type="checkbox"/> -1"	<input type="checkbox"/> -2"		
This section determines frame length				
Top of Cushion to Seat Rail				
<input type="checkbox"/> 2 1/2" or Greater <input type="checkbox"/> Less than 2 1/2" (STD) <input type="checkbox"/> Below Seat Rail				



Select from A OR B

Selection B: Frame Depth Range			
<input type="checkbox"/>	188SN01	Short Seat Frame 10"-14"	NC
<input type="checkbox"/>	188SN02	Medium Seat Frame 12"-16"	NC
<input type="checkbox"/>	188SN03	Long Seat Frame 14"-18"	NC
Selection B: Frame Depth			
<input type="checkbox"/>	188FD1	10" rec. w/ Short Seat Frame N/A with Contracture Footrest System	NC
<input type="checkbox"/>	188FD2	11" rec. w/ Short Seat Frame	NC
<input type="checkbox"/>	188FD3	12" rec. w/ Short Seat Frame	NC
<input type="checkbox"/>	188FD4	13" rec. w/ Med. Seat Frame	NC
<input type="checkbox"/>	188FD5	14" rec. w/ Med. Seat Frame	NC
<input type="checkbox"/>	188FD6	15" rec. w/ Med. Seat Frame	NC
<input type="checkbox"/>	188FD7	16" rec. w/ Long Seat Frame	NC
<input type="checkbox"/>	188FD8	17" rec. w/ Long Seat Frame	NC
<input type="checkbox"/>	188FD9	18" rec. w/ Long Seat Frame	NC

3. CASTERS / SEAT HEIGHT

Caster Wheel			
<input type="checkbox"/>	188CW31	4" Micro Light Up - N/A with Folding	\$108
<input type="checkbox"/>	188CW73	4" x 1.25" Semi-Pneumatic -N/A w/ Folding	NC
<input type="checkbox"/>	188CW51	5" Micro Light Up	\$108
<input type="checkbox"/>	188CW5	5" Low-Profile Polyurethane	STD
<input type="checkbox"/>	188CW7	5" x 1.5" Semi-Pneumatic	\$108
<input type="checkbox"/>	188CW33	6" Pneumatic	\$108
<input type="checkbox"/>	188CW34	6" Polyurethane	NC
<input type="checkbox"/>	188CW35	6" x 1.5" Semi-Pneumatic	\$108
<input type="checkbox"/>	188CW21	8" Pneumatic	\$144
<input type="checkbox"/>	188CW32	8" Polyurethane	NC
<input type="checkbox"/>	188CW39	8" x 1.5" Semi-Pneumatic	\$144
<input type="checkbox"/>	188CW36	8" x 2" Pneumatic	\$243
<input type="checkbox"/>	188CW37	8" x 2" Pneumatic w/Airless Insert	\$387

Please call customer service for 13.25" on a 12" RW and 4" Caster (Rigid only)

Rear Wheel Size	CASTER SIZE					
	<input type="checkbox"/> 4"	<input type="checkbox"/> 5"	<input type="checkbox"/> 6"	<input type="checkbox"/> 8"x1"	<input type="checkbox"/> 8"x1.5"	<input type="checkbox"/> 8"x2"
<input type="checkbox"/> 12"	<input type="checkbox"/> 13.0"	<input type="checkbox"/> 16.0"	<input type="checkbox"/> 16.0"	N/A	N/A	N/A
	N/A	<input type="checkbox"/> 16.5"	<input type="checkbox"/> 16.5"			
		<input type="checkbox"/> 17.0"	<input type="checkbox"/> 17.0"	<input type="checkbox"/> 17.0"	<input type="checkbox"/> 17.0"	
		<input type="checkbox"/> 17.5"	N/A	<input type="checkbox"/> 17.5"	<input type="checkbox"/> 17.5"	
<input type="checkbox"/> 12" Low Poly	N/A	<input type="checkbox"/> 15.0"	<input type="checkbox"/> 15.0"	N/A	N/A	N/A
		<input type="checkbox"/> 15.5"	<input type="checkbox"/> 15.5"			
		<input type="checkbox"/> 16.0"	<input type="checkbox"/> 16.0"	<input type="checkbox"/> 16.5"	<input type="checkbox"/> 16.5"	
		<input type="checkbox"/> 16.5"	N/A			
<input type="checkbox"/> 16"	N/A	<input type="checkbox"/> 13.5"	N/A	N/A	N/A	N/A
		<input type="checkbox"/> 14.0"	<input type="checkbox"/> 14.5"			
		<input type="checkbox"/> 14.5"	<input type="checkbox"/> 17.0"	<input type="checkbox"/> 17.5"	<input type="checkbox"/> 17.5"	
		<input type="checkbox"/> 17.5"	<input type="checkbox"/> 17.5"	<input type="checkbox"/> 18.0"	<input type="checkbox"/> 18.0"	
		<input type="checkbox"/> 18.0"	<input type="checkbox"/> 18.0"	<input type="checkbox"/> 18.5"	<input type="checkbox"/> 18.5"	
		<input type="checkbox"/> 18.5"	<input type="checkbox"/> 18.5"	N/A	<input type="checkbox"/> 19.0"	
<input type="checkbox"/> 20"	N/A	<input type="checkbox"/> 15.5"	<input type="checkbox"/> 16.0"	N/A	N/A	N/A
		<input type="checkbox"/> 16.0"	<input type="checkbox"/> 16.5"	<input type="checkbox"/> 16.5"	<input type="checkbox"/> 16.5"	
		<input type="checkbox"/> 16.5"	<input type="checkbox"/> 17.0"	<input type="checkbox"/> 17.0"	<input type="checkbox"/> 17.0"	
<input type="checkbox"/> 22"	N/A	<input type="checkbox"/> 17.0"	<input type="checkbox"/> 16.5"	N/A	<input type="checkbox"/> 16.5"	N/A
		<input type="checkbox"/> 17.5"	<input type="checkbox"/> 17.0"	<input type="checkbox"/> 17.0"	<input type="checkbox"/> 17.0"	
		<input type="checkbox"/> 18.0"	<input type="checkbox"/> 17.5"	<input type="checkbox"/> 17.5"	<input type="checkbox"/> 17.5"	
		N/A	<input type="checkbox"/> 18.0"	<input type="checkbox"/> 18.0"	<input type="checkbox"/> 18.0"	
<input type="checkbox"/> 24"	N/A	N/A	<input type="checkbox"/> 17.0"	N/A	<input type="checkbox"/> 17.5"	N/A
		<input type="checkbox"/> 17.5"	<input type="checkbox"/> 17.5"	<input type="checkbox"/> 18.0"	<input type="checkbox"/> 18.0"	
		<input type="checkbox"/> 18.0"	<input type="checkbox"/> 18.0"	<input type="checkbox"/> 18.5"	<input type="checkbox"/> 18.5"	
		<input type="checkbox"/> 18.5"	<input type="checkbox"/> 18.5"	<input type="checkbox"/> 19.0"	<input type="checkbox"/> 19.0"	
N/A with Folding						

4. REAR WHEELS / SEAT HEIGHT

One Arm Drive

Only available with 6 spoke Mag wheels. One Arm Drive N/A with folding frame

<input type="checkbox"/>	188AL17	One Arm Drive <i>Avail. w/ 20", 22", 24" Mag Rear Wheels</i>	\$1,362
<input type="checkbox"/>	188OA2	Standard Handrim	NC
<input type="checkbox"/>	188HM1	Right	NC
<input type="checkbox"/>	188HM2	Left	NC
<input type="checkbox"/>	188OA1	Small Handrim	NC
<input type="checkbox"/>	188HM1	Right	NC
<input type="checkbox"/>	188HM2	Left	NC

Axle

<input type="checkbox"/>	188AX26	One Arm Drive Axle <i>Only avail. w/One Arm Drive Option</i>	STD
<input type="checkbox"/>	188AX1	Quick Release	NC
<input type="checkbox"/>	188AX11	Quad Quick Release <i>N/A with Lite Spokes</i>	\$179

Rear Wheel Size

12"-16" N/A w/handrims. 12" w/attendant wheel lock N/A w/ +5 - 60° tilt angle.

<input type="checkbox"/>	188RW13	12" Mag - <i>N/A with handrims</i>	STD
<input type="checkbox"/>	188RW14	16" Mag - <i>N/A with handrims</i>	NC
<input type="checkbox"/>	188RW3	20" Mag	NC
<input type="checkbox"/>	188RW8	22" Mag	NC
<input type="checkbox"/>	188RW1	24" Mag	NC
<input type="checkbox"/>	188RW90	20" Lite Spoke	\$315
<input type="checkbox"/>	188RW91	22" Lite Spoke	\$315
<input type="checkbox"/>	188RW54	24" Lite Spoke	\$315
<input type="checkbox"/>	188RW103	20" Mag Wheel 5 Spoke	NC
<input type="checkbox"/>	188RW104	22" Mag Wheel 5 Spoke	NC
<input type="checkbox"/>	188RW102	24" Mag Wheel 5 Spoke	NC

Rear Wheel Tire

<input type="checkbox"/>	188RT1	Pneumatic	NC
<input type="checkbox"/>	188RT2	Pneumatic Airless Insert	\$243
<input type="checkbox"/>	188RT3	Full Polyurethane <i>N/A w/ 12" & 16" rear wheels</i>	NC
<input type="checkbox"/>	188RT4	Low Polyurethane <i>Only Available with 12" wheels</i>	NC

Rear Tire & Wheel Matrix

Tire	Rear Wheel		
	5 Spoke Mag	Spoke	Mag Wheel
Pneumatic	20,22,24	24	12,16,20,22,24
Pneumatic w/ Airless Insert	20,22,24	24	12,16,20,22,24
Full Poly	20,22,24	24	20,22,24
Low Poly	N/A	N/A	12

12" = mm 16" = mm 20" = 451mm 22" = 501mm 24" = 540mm

Handrim

12" and 16" wheels not available with hand rims. See matrix for availability

<input type="checkbox"/>	188HR1	Aluminum Anodized	NC
<input type="checkbox"/>	188HR4	Plastic Coated	\$144
<input type="checkbox"/>	188HR7	Omit <i>N/A with wheel/axle credit</i>	NC

Projections (Not Available on Plastic Coated)

Only available with 24" Mag wheels & not available with spoke guards.

<input type="checkbox"/>	188HR8	8 Oblique	\$144
--------------------------	--------	-----------	-------

Rear Wheel & Handrim Matrix

Handrim	Rear Wheel		
	5 Spoke Mag	Spoke	Mag Wheel
Aluminum Anodized	20,22,24	24	20,22,24
Plastic Coat	20,22,24	24	20,22,24
Projection 8 Oblique	N/A	N/A	24

5. WHEEL LOCKS / HUB LOCK

Wheel Lock

Not available with Hub Lock

<input type="checkbox"/>	188WL34	High Mount Push	NC
<input type="checkbox"/>	188WL36	Foot Lock <i>N/A w/ One Arm Drive, Folding frame defaults to left side, may limit folded width</i>	\$88.00
<input type="checkbox"/>	188WL10	Omit	NC

Extension Handle

<input type="checkbox"/>	188EH1	E0961 6" Pair	\$72
--------------------------	--------	---------------	------

Hub Lock

Only available with 12" or 16" wheels. N/A with one arm drive.

<input type="checkbox"/>	188LK01	12" Hub Lock	\$160
<input type="checkbox"/>	188LK02	16" Hub Lock	\$160

6. FOOTRESTS (See Appendix on Page 9 for matrix of Leg Length ranges)

Hanger Mounted Footrest (Footplates Mount to Hanger Tubing)

Hanger Type (See Matrix on Page 9 for Lower Leg Length ranges)

<input type="checkbox"/>	188H140	70° Swing In/Out Front Mount	NC
<input type="checkbox"/>	188H142	80° Swing In/Out Front Mount	NC
<input type="checkbox"/>	188H158	90° Swing In/Out Front Mount	NC
<input type="checkbox"/>	188H9	70° Heavy Duty Front Mount Lift-Off	NC
<input type="checkbox"/>	188H10	80° Heavy Duty Front Mount Lift-Off	NC
<input type="checkbox"/>	188H11	90° Heavy Duty Front Mount Lift-Off	NC
<input type="checkbox"/>	188H161	Elev.Fnt Mount - N/A 10-11" wide	\$334

Extensions (may interfere with some seat heights & casters)

<input type="checkbox"/>	188E23	2" - not mounted	\$52
<input type="checkbox"/>	188E24	4" - not mounted	\$52

Footplate

<input type="checkbox"/>	188F9	Kids Angle Adjustable N/A with 17"-18" widths	NC
<input type="checkbox"/>	188F8	Adult Angle Adj. Available with 10"-18" widths	\$173
<input type="checkbox"/>	188F62	Footboard Available with 10"-16" widths	\$227

Ext. Tube Mounted Footrests (Footplates Mount to Ext. Tube)

Hanger Type (See Matrix on Page 9 for Lower Leg Length ranges)

<input type="checkbox"/>	188H145	60° Swing In/Out	NC
<input type="checkbox"/>	188H139	70° Swing In/Out	STD
<input type="checkbox"/>	188H141	80° Swing In/Out - N/A with 8" Casters	STD
<input type="checkbox"/>	188H159	Articulating - N/A 10"-13" widths	\$518
<input type="checkbox"/>	188H160	Elevating N/A w/ platform footplates or < 14" width	\$334

Extensions (See Matrix on Page 9 for Lower Leg Length ranges)

<input type="checkbox"/>	188E1	Short	NC
<input type="checkbox"/>	188E2	Medium	NC
<input type="checkbox"/>	188E5	Long	NC
<input type="checkbox"/>	188E16	High Mount	\$96

Footplate

<input type="checkbox"/>	188F1	Composite N/A In 10", 11" or 12" width	STD
<input type="checkbox"/>	188F3	Adult Angle Adjustable Available with 10"-18" widths	\$173
<input type="checkbox"/>	188F4	Kids Angle Adjustable N/A with 17"-18" widths	NC
<input type="checkbox"/>	188F5	Aluminum Available with elevating 14"-18" wide	NC
<input type="checkbox"/>	188F48	Platform Flip-Up - Ang Adj Available on 60° 70° and 80° ext. mount hangers only. N/A w/Folding Frame	\$227

Hanger Mounts

1" Offset N/A with -5-50° and -5-35° preset tilt angle and possible interference with 80° & 90° hangers

<input type="checkbox"/>	188MZ02	Standard Hanger Mount	STD
<input type="checkbox"/>	188MZ01	1" Offset Hanger Mount	NC

Articulating / Elevating Hanger Cover

<input type="checkbox"/>	188DI47	Neoprene Cover	\$320
<input type="checkbox"/>	188DI48	Gel Pad Cover	\$374

Footrest Hanger Options

<input type="checkbox"/>	188IG2	Neoprene Covers Only available for ext. mount hangers	\$60
<input type="checkbox"/>	188HL1	Heel Loops N/A with Z-Finity 10-14 widths	NC
<input type="checkbox"/>	188HL5	Leg Strap	NC
<input type="checkbox"/>	188A54	Extra Single Leg Strap	\$60
<input type="checkbox"/>	188A110	Toe Loop Only avail. w/ adult ang adj. footplates, N/A with Z-Finity footrest	\$42
<input type="checkbox"/>	188H32	Omit Hanger	NC
<input type="checkbox"/>	188F7	Omit Footplate and Ext. Tube	NC

Z-Finity Hangers/Footrest System

Maximum weight capacity for Z-Finity footrests is 165 lbs.
Some interference may exist in certain configurations.

<input type="checkbox"/>	188H162	Z-Finity Hanger	STD
--------------------------	---------	-----------------	-----

Z-Finity Footrest Mount (Must Chose see Illustration on Page 9)

<input type="checkbox"/>	188DI22	Direct Hanger Mt/Fixed Frame - High	NC
<input type="checkbox"/>	188DI23	Direct Hanger Mt/Fixed Frame - Low	NC
<input type="checkbox"/>	188DI24	Extension Tube Mount	NC

Z-Finity Footrest Pivot Arm (Must Choose, use matrix on Page 9 for leg length)

<input type="checkbox"/>	188DI20	Short 2"	NC
<input type="checkbox"/>	188DI21	Long 3 1/4"	NC

Z-Finity Footplate

Some interference may exist in certain configurations.

<input type="checkbox"/>	188F320	Multi Angle Adjustable - Pair N/A with 8"-9" widths	\$243
<input type="checkbox"/>	188F321	Angle Adjustable Platform Footboard	\$228
<input type="checkbox"/>	188F6	Omit Footplate	NC

Z-Finity Extension Tube Length (When Choosing Ext. Tube Mount)

<input type="checkbox"/>	188E62	Hemi Short	NC
<input type="checkbox"/>	188E1	Short	NC
<input type="checkbox"/>	188E2	Medium	NC
<input type="checkbox"/>	188E5	Long	NC

JAY FOOT BOXES

Only available with Swing Away, Lift-off Hangers, Adult Angle Adj Footplates and ALR/ELR. Single Foot Box pairs N/A with 10"-15" frame widths. Full Foot boxes N/A with Heel Loop or Leg Strap or in odd number sizes, Tall Height N/A w/ 14"-15" frame widths and ALR/ELR. N/A with Z-Finity.

Single Foot Box

<input type="checkbox"/>	188JX01	Standard Height - Left	\$262
<input type="checkbox"/>	188JX02	Tall Height - Left	\$298
<input type="checkbox"/>	188JX03	Standard Height - Right	\$262
<input type="checkbox"/>	188JX04	Tall Height - Right	\$298
<input type="checkbox"/>	188JX05	Standard Height - Pair	\$525
<input type="checkbox"/>	188JX06	Tall Height - Pair	\$555

OR

Full Foot Box

<input type="checkbox"/>	188JX07	Full Foot box Std Height	\$525
<input type="checkbox"/>	188JX08	Full Foot box Tall Height	\$595
<input type="checkbox"/>	188JX09	Full Foot box w/ Divider Std Ht	\$525
<input type="checkbox"/>	188JX10	Full Foot box w/ Divider Tall Ht	\$595

6. FOOTRESTS CONT. (See Appendix for matrix)

Contracture Footrest System (CFS)

N/A w/ Neoprene Impact Guards, Kids Angle Adj. Aluminum Footrests, Dual Post Armrest or Folding Frame.

<input type="checkbox"/>	188H26	Contracture Footrest System	\$589
<input type="checkbox"/>	188FP01	CFS - Center Mount	NC
<input type="checkbox"/>	188FP02	CFS - Outside Mount	NC
<input type="checkbox"/>	188E1	SHORT	NC
<input type="checkbox"/>	188EP1	10.5" Extension Height	NC
<input type="checkbox"/>	188EP2	11.0" Extension Height	NC
<input type="checkbox"/>	188EP3	11.5" Extension Height	NC
<input type="checkbox"/>	188EP4	12.0" Extension Height	NC
<input type="checkbox"/>	188EP5	12.5" Extension Height	NC
<input type="checkbox"/>	188EP6	13.0" Extension Height	NC

<input type="checkbox"/>	188E2	REGULAR	NC
<input type="checkbox"/>	188EP5	12.5" Extension Height	NC
<input type="checkbox"/>	188EP6	13.0" Extension Height	NC
<input type="checkbox"/>	188EP7	13.5" Extension Height	NC
<input type="checkbox"/>	188EP8	14.0" Extension Height	NC
<input type="checkbox"/>	188EP9	14.5" Extension Height	NC
<input type="checkbox"/>	188EP10	15.0" Extension Height	NC

7. BACKREST / SEATING

DYNAMIC BACKREST

<input type="checkbox"/>	188BT101	Dynamic Backrest <i>N/A w/ Reclining or Folding Frame. N/A in some configurations.</i>	\$1,535
--------------------------	----------	---	---------

JAY Backs (Optional)

Ordering JAY backs on-chair, See the JAY Price List. Requires Part #

<input type="checkbox"/>	188JB01	JAY Bundled Backrest	Price List
		Backrest Name or Part #	
		Width: _____ Height: _____	

STROLLER HANDLE BACK POSTS - BACK RESTS (Choose A, B, C or D)

A. Fixed Height

<input type="checkbox"/>	188BP9	Low (19" Ht)	NC	A
<input type="checkbox"/>	188BP10	Medium (22" Ht)	NC	
<input type="checkbox"/>	188BP11	Tall (25" Ht)	NC	
<input type="checkbox"/>	188BP13	Removable Extension	\$173	
<input type="checkbox"/>	188RG1	Folding Adjustable Rigidizer <i>N/A w/ Mono Back</i>	\$204	

OR

B Height Adjustable

Rigid Back w/ Angle Adjust Push Handle

<input type="checkbox"/>	188B170	Std. (16"-22" Height.)	NC	B
<input type="checkbox"/>	188PH8	Std. Angle Adj. Push Handle Lgth	NC	
<input type="checkbox"/>	188PH9	Long Angle Adj. Push Handle Length	NC	
<input type="checkbox"/>	188B171	Tall (19"-25" Height.)	NC	
<input type="checkbox"/>	188PH8	Std. Angle Adj. Push Handle Lgth	NC	
<input type="checkbox"/>	188PH9	Long Angle Adj. Push Handle Length	NC	

OR

C. Mono Back System

*Must select JAY J3 when ordering Mono Back.
N/A w/ Folding Frame.*

Select One

<input type="checkbox"/>	188MO1	Mono Backrest System	\$600	C
<input type="checkbox"/>	188MO2	Mono Backrest System with Dynamic Backrest	\$1,867	

AND Select desired Push Handle

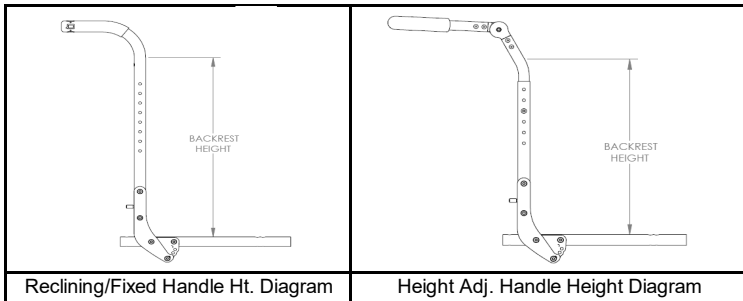
<input type="checkbox"/>	188PH8	Std. Angle Adj. Push Handle Length	NC
<input type="checkbox"/>	188PH9	Long Angle Adj. Push Handle Length	NC

OR

D. Reclining Backrest

Only available with 40° Tilt Range. N/A w/Folding Frame

<input type="checkbox"/>	188BT21	Reclining Backrest	\$1,547	D
	<input type="checkbox"/>	188B172 Medium (21" Height)	NC	
	<input type="checkbox"/>	188B173 Tall (24" Height)	NC	
<input type="checkbox"/>	188BP64	Angle Adj stroller handles <i>Height adj range 19"- 23" N/A on 10" widths w/Dual Trigger tilt release</i>	\$204	
	<input type="checkbox"/>	188PH8 Standard push handle	NC	
	<input type="checkbox"/>	188PH9 Long push handle	NC	



7. BACKREST / SEATING CONT.

Mono Backrest Options ONLY

N/A on Folding Frame, Vent/Battery Tray Base(LTV only), Reclining Backrest, Desk Length Arm pads, Canopy and 10"-11" frame widths and depths.

JAY J3 Back for Mono Backrest System

<input type="checkbox"/>	188JB04	JAY J3 Back Mono	See OF
<input type="checkbox"/>	188JB05	JAY J3 via JAY Your Way	See OF

JAY J3 Backrest Contour

<input type="checkbox"/>	188JP06	J3 PA Back - 2.2" of Contour Depth	\$909
<input type="checkbox"/>	188JP08	J3 PL Back - 3" of Contour Depth	\$982
<input type="checkbox"/>	188JP09	J3 PDL Back - 6" of Contour Depth N/A w/ 12" width	\$1,054
<input type="checkbox"/>	188JP10	J3 PDC Back - 6" of Contour Depth N/A w/ 12" width	\$1,064

JAY J3 Backrest Height

<input type="checkbox"/>	188JR07	UT Standard - 16.5" shell height	NC
<input type="checkbox"/>	188JR08	UT Medium - 18" shell height N/A w/ 12" width	NC
<input type="checkbox"/>	188JR09	UT Tall - 19.5" shell height N/A w/ 12" width	NC
<input type="checkbox"/>	188JR10	SH Standard - 21" shell height N/A w/ 12" width	NC
<input type="checkbox"/>	188JR11	SH Medium - 22.5" shell height N/A w/ 12" width	NC
<input type="checkbox"/>	188JR12	SH Tall - 24" shell height N/A w/ 12" width	NC

JAY J3 Backrest Width

Some interference may exist w/ armrest when ordering a backrest width greater than 4" wider than the base.

<input type="checkbox"/>	188JQ06	12" Backrest Width Available w/UT Standard 16.5" shell ht	NC
<input type="checkbox"/>	188JQ01	14" Backrest Width	NC
<input type="checkbox"/>	188JQ02	16" Backrest Width	NC
<input type="checkbox"/>	188JQ03	18" Backrest Width	NC

JAY J3 Backrest Color

<input type="checkbox"/>	188GZ01	Black	NC
<input type="checkbox"/>	188GZ02	Match Frame- Standard Colors	NC
<input type="checkbox"/>	188GZ03	Match Frame- Personalized Color	\$76

JAY J3 Back for Mono Backrest System Cont.

Select desired Headrest Mount - optional

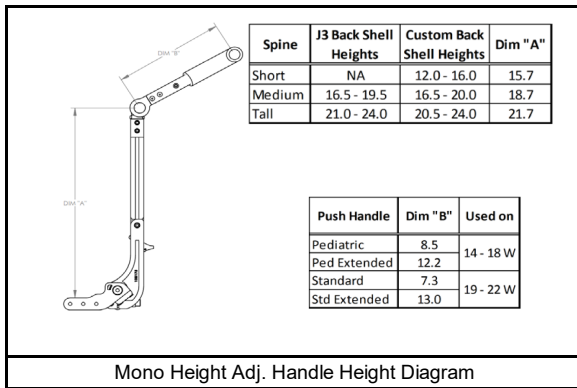
<input type="checkbox"/>	188MH10	Axys Mount & Bracket	\$357
<input type="checkbox"/>	188MH15	Cobra Flip Back Mount and Bracket	\$654
<input type="checkbox"/>	188MH16	Onyx Mount and Bracket	\$268
<input type="checkbox"/>	188MH17	Omit	NC

Select desired Headrest Pad - optional

<input type="checkbox"/>	188HE65	Plush Head Support Pad 8"	\$268
<input type="checkbox"/>	188HE66	Plush Head Support Pad 10"	\$268
<input type="checkbox"/>	188HE78	Plush Head Support Pad 14"	\$268
<input type="checkbox"/>	188HE87	HeadsUp Lrg: 5.3" Lng Arms	\$357
<input type="checkbox"/>	188HE88	HeadsUp Med: 4.1" Sht Arms	\$357
<input type="checkbox"/>	188HE89	HeadsUp Sml: 3.5" Sht Arms	\$357
<input type="checkbox"/>	188HE83	Adjust-A-Plush Standard	\$277
<input type="checkbox"/>	188HE82	Adjust-A-Plush Narrow	\$277

Select desired Lateral - optional

<input type="checkbox"/>	LAT 4X4 S/A MOUNTS includes 1" OFFSET - PR		\$783
	188ZV14	LATERAL 4X4 W/ 1" OFFSET-PAIR	\$463
	188ZS07	LATERAL SWING AWAY MOUNT-PAIR	\$320
<input type="checkbox"/>	LAT 4X5 S/A MOUNTS includes 1" OFFSET - PR		\$783
	188ZV15	LATERAL 4X5 W/ 1" OFFSET-PAIR	\$463
	188ZS07	LATERAL SWING AWAY MOUNT-PAIR	\$320
<input type="checkbox"/>	LAT 4X6 S/A MOUNTS includes 1" OFFSET - PR		\$783
	188ZV16	LATERAL 4X6 W/ 1" OFFSET-PAIR	\$463
	188ZS07	LATERAL SWING AWAY MOUNT-PAIR	\$320
<input type="checkbox"/>	LAT 6X4 S/A MOUNTS includes 1" OFFSET - PR		\$783
	188ZV17	LATERAL 6X4 W/ 1" OFFSET-PAIR	\$463
	188ZS07	LATERAL SWING AWAY MOUNT-PAIR	\$320
<input type="checkbox"/>	LAT 6X5 S/A MOUNTS includes 1" OFFSET - PR		\$783
	188ZV18	LATERAL 6X5 W/ 1" OFFSET-PAIR	\$463
	188ZS07	LATERAL SWING AWAY MOUNT-PAIR	\$320
<input type="checkbox"/>	LAT 6X6 S/A MOUNTS includes 1" OFFSET - PR		\$783
	188ZV19	LATERAL 6X6 W/ 1" OFFSET-PAIR	\$463
	188ZS07	LATERAL SWING AWAY MOUNT-PAIR	\$320



Mono Height Adj. Handle Height Diagram

8. ARMRESTS / SIDE GUARDS

Armrest - Height Adjustable

Dual Post not available with 0 - 13" deep or with 14 - 15" deep seat pan, Dual Post also not available with contracture Footrest. Some interference may exist in some configurations.

<input type="checkbox"/>	188AA12	T-Post Regular w/Foam	NC
<input type="checkbox"/>	188AA13	T-Post Tall w/Foam	NC
<input type="checkbox"/>	188AA3	Flip-Up	NC
<input type="checkbox"/>	188AA1	Adjustable Locking Flip-Up	\$334
<input type="checkbox"/>	188AA7	Length Adjust. Locking Flip-Up <i>N/A with Contour Armpad</i>	\$334
<input type="checkbox"/>	188AA62	Dual Post	NC
<input type="checkbox"/>	188AA63	Dual Post Height Adjustable	\$357
<input type="checkbox"/>	188AA43	Dual Post Flip Back	\$166
<input type="checkbox"/>	188AA48	Dual Post Flip Back Height Adj.	\$334
<input type="checkbox"/>	188AA11	Single-Post Height Adj. Std.	\$334
<input type="checkbox"/>	188AA29	Single-Post Height Adj. Low	\$334
<input type="checkbox"/>	188AA154	Height Adj. Cantilever Armrest <i>Avail. w/ Mono Back only. N/A w/ 20", 22" and 24" rear wheels.</i>	\$303

Armpad

Contour & Ergo only w/ Single Post Height Adj. - Foam only Length Adj.

<input type="checkbox"/>	188AM23	Desk Classic	NC
<input type="checkbox"/>	188AM21	Desk Contour	NC
<input type="checkbox"/>	188AM24	Full Classic	NC
<input type="checkbox"/>	188AM22	Full Contour	NC
<input type="checkbox"/>	188AM9	Foam Short	NC
<input type="checkbox"/>	188AM10	Foam Long	NC
<input type="checkbox"/>	188AM27	Ergo armpad	NC

Armrest Receiver for Single Post Height Adjustable Armrest

<input type="checkbox"/>	188AR17	Low	NC
<input type="checkbox"/>	188AR18	Std	NC

JAY Arm Troughs

N/A with Length Adj. Locking Flip Up and Adj Locking Flip Up armrests and Single Post Height Adj Armrests. Full Length Classic Armpads will automatically be selected when choosing only one side Arm Trough.

<input type="checkbox"/>	188JL01	Arm Trough - 14" long - Left	\$181
<input type="checkbox"/>	188JL04	Arm Trough - 14" long - Right	\$181
<input type="checkbox"/>	188JL05	Arm Trough - 14" long - Pair	\$362
<input type="checkbox"/>	188JL02	Arm Trough - 18" long - Left	\$181
<input type="checkbox"/>	188JL06	Arm Trough - 18" long - Right	\$181
<input type="checkbox"/>	188JL07	Arm Trough - 18" long - Pair	\$362
<input type="checkbox"/>	188JL03	Arm Trough - 22" long - Left	\$181
<input type="checkbox"/>	188JL08	Arm Trough - 22" long - Right	\$181
<input type="checkbox"/>	188JL09	Arm Trough - 22" long - Pair	\$362

JAY Arm Trough - Hardware

<input type="checkbox"/>	188JN01	Fixed - Each	NC
<input type="checkbox"/>	188JN03	Fixed - Pair	NC
<input type="checkbox"/>	188JN02	Swing Away - Rotational - Each	\$286
<input type="checkbox"/>	188JN04	Swing Away - Rotational - Pair	\$566

Side Guard

Not available with height adjustable armrests, T Posts or Cantilever armrests. N/A with Mono Back.

<input type="checkbox"/>	188SG33	Plastic Std	\$185
<input type="checkbox"/>	188SG29	Plastic Low	\$185

Armrest Matrix for Single Post						
Armrest Size	Transfer Tube Length D	Receiver	Classic Pad			
			H Range	Pad length L		
				Desk	Full	
Std	8"	Std	10-3/4" to 15-3/4"	10-1/4"	14"	
		Low	8-3/4" to 13-3/4"			
Low	5-1/4"	Std	9" to 13"	10-1/4"	14"	
		Low	7-1/4" to 11-1/4"			
		Receiver	Contour Pad			
			H Range	Pad length L		
				Desk	Full	
		Std	10" to 15"	10-1/2"	14-1/4"	
		Low	8-1/4" to 13-1/4"			
		Std	8-1/2" to 12-1/2"			
		Low	6-3/4" to 10-3/4"			
		Receiver	Ergo Pad		Pad length L	
			H Range	11-3/4"		
Low	8-3/4" to 13-3/4"					
Std	9" to 13"					
Low	7-1/4" to 11-1/4"					

9. ACCESSORIES

Back Pack (Kids Backpack included)

All Zippie chairs ship with one Kids Backpack at NC

<input type="checkbox"/>	188A1	Utility Backpack - Black	\$110
<input type="checkbox"/>	188A2	Additional Zippie Backpack	\$103

Seat Pouch

<input type="checkbox"/>	188A8	Black	\$82
--------------------------	-------	-------	------

Miscellaneous

<input type="checkbox"/>	188A83	Tool Kit	\$42
--------------------------	--------	----------	------

Positioning Belt (w/clamps)

<input type="checkbox"/>	188A112	1" Dual Pull Side Squeeze Padded	\$130
<input type="checkbox"/>	188A117	Belt 2" Aircraft Buckle	\$137
<input type="checkbox"/>	188A118	Belt 2" Aircraft Buckle Padded	\$201
<input type="checkbox"/>	188A814	JAY 2 Pt 1" Push Btn - 4.5" Pad	\$144
<input type="checkbox"/>	188ZZ25	JAY 2 Pt 1.5" Push Btn - No Pad	\$63
<input type="checkbox"/>	188ZZ28	JAY 2 Pt 1.5" Push Btn - 7.5" Pad	\$124
<input type="checkbox"/>	188ZZ27	JAY 2 Pt 2" Push Btn - No Pad	\$63
<input type="checkbox"/>	188ZZ26	JAY 2 Pt 2" Push Btn - 9.5" Pad	\$124

Vertical Mount Vent Tray-Back cane Mount

<input type="checkbox"/>	188LF12	Dovetail Vertical Frame Mounted Hardware for LTV Vent (limit 15lbs) includes 1 Utility Hook. - <i>Must remove for folding.</i>	\$514
<input type="checkbox"/>	188LF13	Dovetail Vertical Frame Mt Hardware for Trilogy Vent (limit 15lbs) includes 1 Utility Hook - <i>Must remove for folding.</i>	\$514
<input type="checkbox"/>	188LF7	Utility Hook	\$30

Upper Extremity Support Tray

When ordering a tray with full armrest or desk armrest pads, add 1" to seat width to determine best tray size. N/A with JAY Arm Trough. Must remove for folding.

<input type="checkbox"/>	188A29	X-Sm (Suggested 10"-12" Width)	\$375
<input type="checkbox"/>	188A30	Sm (Suggested 13"-14" Width)	\$375
<input type="checkbox"/>	188A31	Med (Suggested 15"-17" Width)	\$375
<input type="checkbox"/>	188A32	Lrg (Suggested 18"-20" Width)	\$375

10. FRAME COLOR

Standard Colors

<input type="checkbox"/>	188C140	Aztec Gold	NC
<input type="checkbox"/>	188C2	Black - <i>N/A as base with Zebra</i>	NC
<input type="checkbox"/>	188C141	Black Cherry	NC
<input type="checkbox"/>	188C10	Black Opal	NC
<input type="checkbox"/>	188C38	Blue Opal	NC
<input type="checkbox"/>	188C36	Candy Blue	NC
<input type="checkbox"/>	188C14	Candy Purple	NC
<input type="checkbox"/>	188C35	Candy Red	NC
<input type="checkbox"/>	188C142	Electric Blue	NC
<input type="checkbox"/>	188C143	Evergreen	NC
<input type="checkbox"/>	188C126	Glow	NC
<input type="checkbox"/>	188C144	Green Apple	NC
<input type="checkbox"/>	188C147	Hot Sparkle Pink	NC
<input type="checkbox"/>	188C148	Mauve Pink	NC
<input type="checkbox"/>	188C103	Rootbeer	NC
<input type="checkbox"/>	188C114	Sparkle Silver	NC
<input type="checkbox"/>	188C145	Sunrise Orange	NC
<input type="checkbox"/>	188C113	Titanium Color Paint	NC
<input type="checkbox"/>	188C8	Yellow	NC

Canopy (SunShade)

Need 2" back post clearance to mount canopy hardware, may require next height based on seating; please note some interference may occur with some headrest configurations. N/A with Mono Back. Must remove for folding.

<input type="checkbox"/>	1888A06	Canopy (Sunshade) 10"-14" Width	\$422
<input type="checkbox"/>	1888A07	Canopy (Sunshade) 15"-20" Width	\$422

JAY Anterior Thoracic Support

Style

<input type="checkbox"/>	188JY01	Classic Dynamic	\$241
<input type="checkbox"/>	188JY02	Classic Structure	\$241
<input type="checkbox"/>	188JY03	Contour Dynamic	\$241
<input type="checkbox"/>	188JY04	Contour Structure	\$241
<input type="checkbox"/>	188JY05	Center Opening with Buckle	\$241

Size

<input type="checkbox"/>	188JZ01	Small	NC
<input type="checkbox"/>	188JZ02	Medium	NC
<input type="checkbox"/>	188JZ03	Large	NC
<input type="checkbox"/>	188JZ04	X-Large	NC

JAY Padded Trunk Strap

<input type="checkbox"/>	188JA01	Padded Trunk Strap - Small	\$241
<input type="checkbox"/>	188JA02	Padded Trunk Strap - Medium	\$241
<input type="checkbox"/>	188JA03	Padded Trunk Strap - Large	\$241
<input type="checkbox"/>	188JA04	Padded Trunk Strap - XL	\$241

Spoke Guard

Not available with 12" & 16" rear wheels & Projections Handrims

<input type="checkbox"/>	188A23	Black	\$155
<input type="checkbox"/>	188A303	Clear Zippie	\$155

Anti-Tip

<input type="checkbox"/>	188AT1	Rear Anti-Tip	\$119
--------------------------	--------	---------------	-------

Standard Matte Colors

<input type="checkbox"/>	188C116	Matte Black	NC
<input type="checkbox"/>	188C151	Matte Black Cherry	NC
<input type="checkbox"/>	188C152	Matte Purple	NC
<input type="checkbox"/>	188C150	Matte Electric Blue	NC
<input type="checkbox"/>	188C149	Matte Evergreen	NC

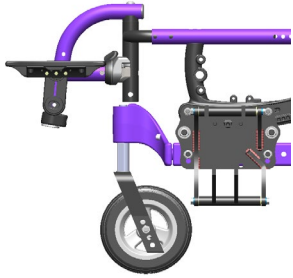
Personalized Colors

<input type="checkbox"/>	188C43	Mossy Oak Camouflage	\$363
<input type="checkbox"/>	188C42	Stars and Stripes	\$363
<input type="checkbox"/>	188C108	Zebra <i>Choose base color from Standard colors: White is Standard.</i>	\$363

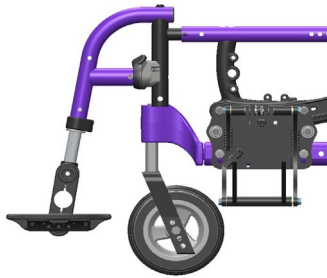
Z-Finity Matrix

Growing Seat Pan Matrix - Rigid and Folding Frame Options

Direct Hanger Mount



Extension Tube Mount



Direct Hanger Mounted

Footrest Adaptor	Hanger Mounting Position	Min	Max
Short	High Mount	-0.9"	3.4"
	Low Mount	2.6"	6.7"
Long	High Mount	-2.1"	4.6"
	Low Mount	1.3"	7.9"

Extension Tube Mounted

Footrest Adaptor	Extension Tube Length	Min	Max
Short	Hemi Short	3.9"	12.4"
	Short	4.9"	13.4"
	Medium	6.6"	15.4"
Long	Long	8.6"	17.4"
	Hemi Short	2.6"	13.6"
	Short	4.1"	14.6"
	Medium	5.6"	16.6"
	Long	7.6"	18.6"

Rigid Frame - Frame Depth Growth Range Matrix

Seat Pan Size	Dim A Range
10" - 16"	11-1/4" - 15-1/4"
14" - 18"	15" - 19"

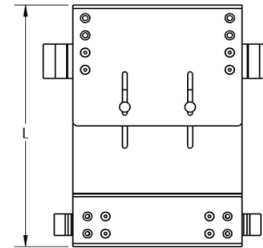
Folding Frame - Frame Depth Growth Range Matrix

Seat Depth Pan Size	Seat Depth										L Range		
	10"	11"	12"	13"	14"	15"	16"	17"	18"	19"	20"	Min	Max
Short	x	x	x	x	x							10"	14"
Medium					x	x						11.75"	16.25"
Long							x	x				13.75"	18.25"
X-Long									x	x	x	15.75"	20.25"

Lower Leg Length Matrix

Hanger	Extension	Seat Pan to Top of Footrest		Min Allowable FSH
		Min	Max	
70° Front Mount	No Ext.	3 1/2"	9"	11 1/2"
	2"	3 1/2"	11 1/2"	13 1/2"
	4"	3 1/2"	13 1/2"	15 1/2"
80° Front Mount	No Ext.	3 1/2"	9 1/2"	11 1/2"
	2"	3 1/2"	12"	14"
	4"	3 1/2"	14"	16"
90° Front Mount	No Ext.	3"	9"	11 1/2"
ELR Front Mount	No Ext.	3"	7"	10 1/2"
60° Swing In/Out	Short	9"	12 1/2"	12 1/2"
	Medium	9"	14 1/2"	12 1/2"
	Long	11 1/2"	16"	14 1/2"
70° Swing In/Out	Short	10 1/2"	15 1/2"	12 1/2"
	Medium	10 1/2"	17 1/2"	13"
	Long	13 1/2"	19"	15"
80° Swing In/Out	Short	11"	14 1/2"	13"
	Medium	11"	16 1/2"	13"
	Long	13"	18"	15"
ALR	Short	14"	17 1/2"	12 1/2"
	Medium	15"	19 1/2"	13 1/2"
	Long	16 1/2"	19"	14 1/2"
ELR Ext Mount	Short	13"	17"	12 1/2"
	Medium	13"	18 1/2"	13 1/2"
	Long	14 1/2"	20"	14 1/2"

Depth



Additional Options Through Built-4-Me

To inquire about any unique personalization for Zippie products, contact: Phone: (800) 263-3390, Email cscanada@sunmed.com



Commonly Requested Options Include:

- ✓ Reverse Configuration
- ✓ Angle Adjustable Handle for Reclining Backrest
- ✓ Dual Mount Wheel Locks - Attendant Foot Lock
- ✓ Dynamic Back on Frame Depth up to 20"
- ✓ O2 Holder with Transit
- ✓ IV Pole with Transit
- ✓ Solid Seat w/ Quick Release Hardware for folding frame

