

Rollator



SPARE PARTS CATALOGUE

EN

**Gemino**

**GEMINO**

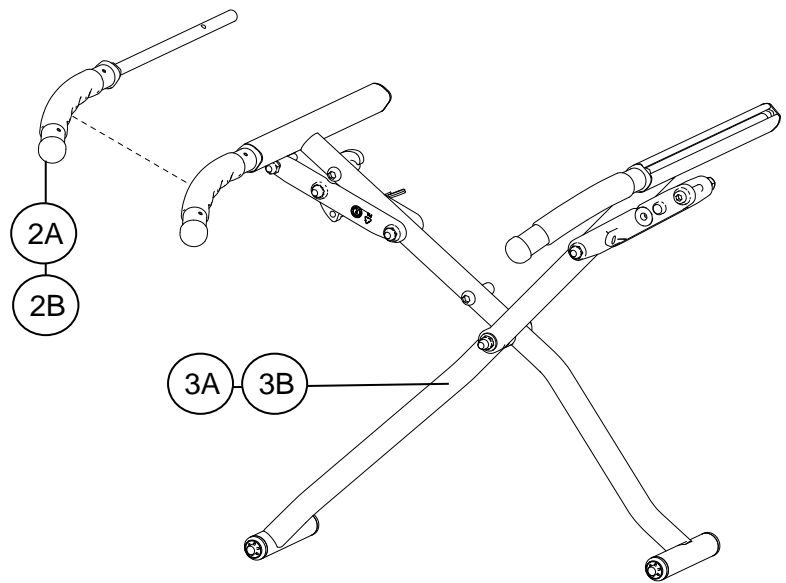
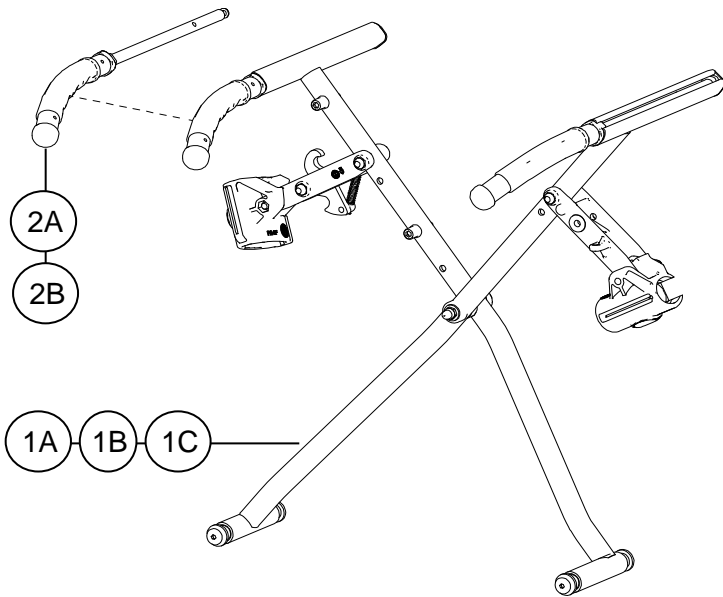
## 01 Contents

01	Contents	Page 2
02.1	Cross brace and lifting handle	Page 3
02.2	Cross brace, service kit	Page 4
03	Push handles	Page 5
03.1	Underarm support	Page 7
04.1	Brakes Gemino 20 and Gemino 30	Page 9
04.2	Brakes Gemino 60 and 30 Comfort	Page 10
04.3	Brakes Gemino 60 older version	Page 11
04.4	Brakes Gemino Parkinson	Page 12
05.1	Wheels	Page 13
05.2	Wheels Gemino 60 and 30 Comfort	Page 14
06	Seat sling	Page 15
07.1	Reflex	Page 16
07.2	Reflex Gemino 60	Page 17
08.1	Green laser line	Page 18
09.1	Basket	Page 19
09.2	Crutch holder	Page 20
09.3	Tray with cup holder	Page 21
09.4	Back support	Page 22
09.5	Umbrella	Page 23
09.6	Oxygen holder	Page 24
09.7	Universal bracket / Light	Page 25
09.8	Speed control	Page 26
09.9	One hand brake	Page 27
09.10	Slow down Brake	Page 28
09.11	Service Kit	Page 29
09.12	Infusion holder	Page 30
09.13	Logo brand	Page 31

### **Placing orders**

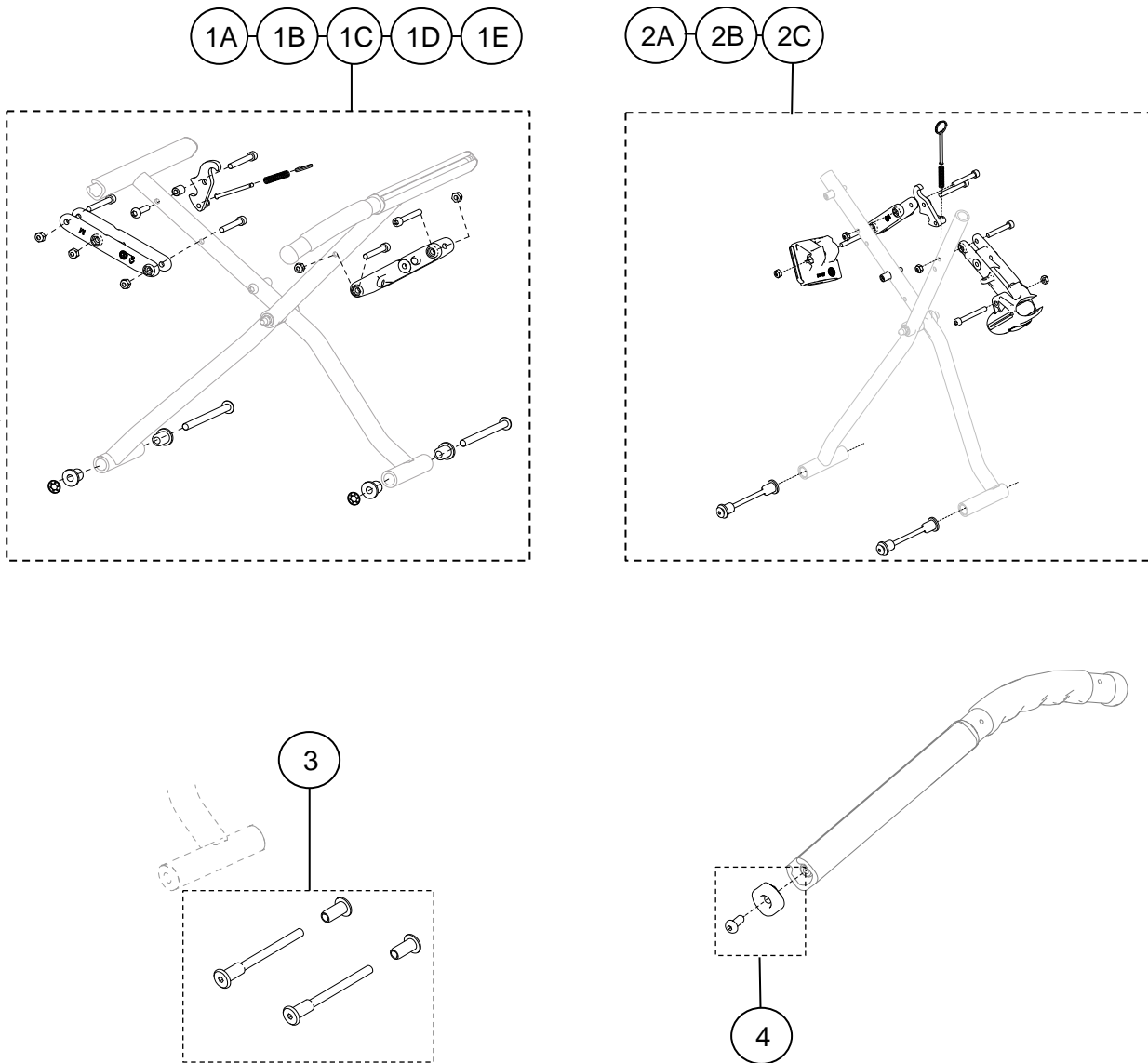
When you place your order you should also specify serial number for the rollator

## 02.1 Cross brace



Pos	Ant/Qty	Art.No.	Description	Note
1A	1	7102007	Cross brace, complete Gemino 20 / 30	S
1B	1	7102008	Cross brace, complete Gemino 20M / 30M	S
1C	1	7102009	Cross brace, complete Gemino 20S / 30S	S
2A	1	7102242	Lifting handle - front of cross brace, RHS	S
2B	1	7102243	Lifting handle - front of cross brace, LHS	S
3A	1	7162001	Cross brace, complete Gemino 60	S
3B	1	7162002	Cross brace, complete Gemino 60 M	S

## 02.2 Cross brace

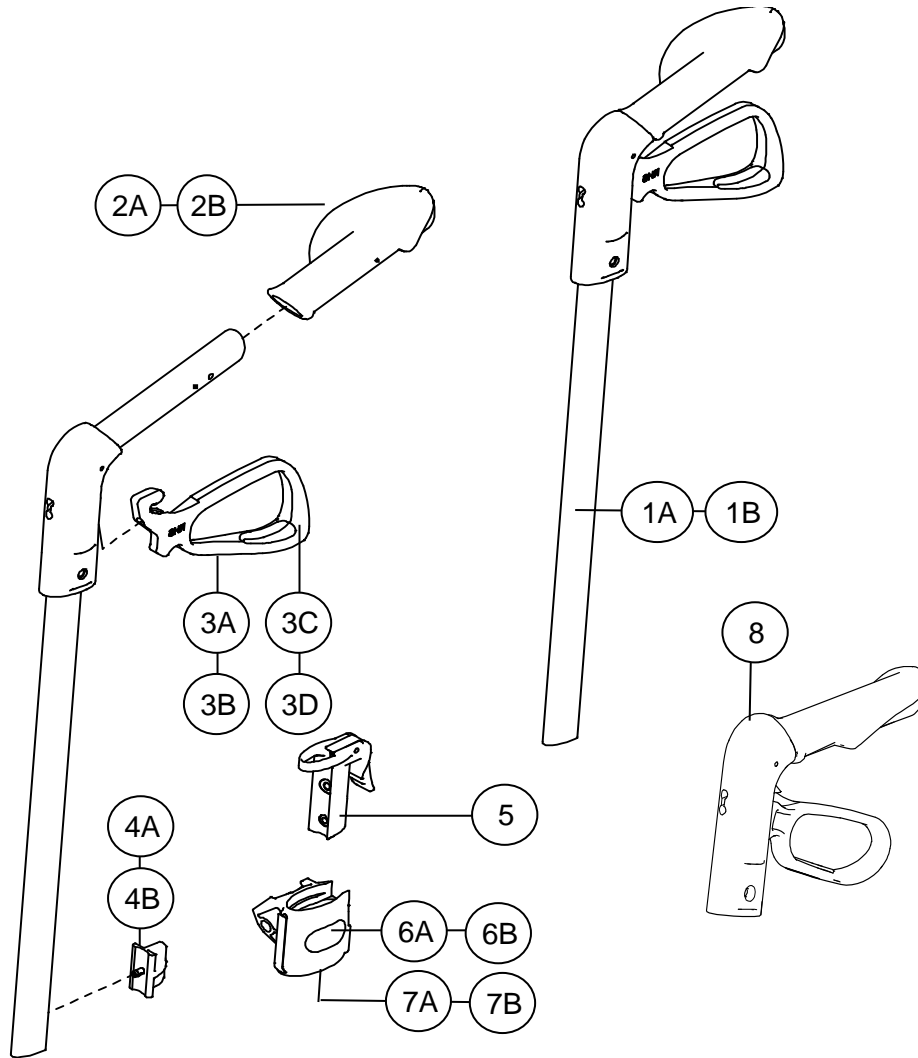


Pos	Ant/Qty	Art.No.	Description	Note
1A	1*	7102904	Service kit Cross brace Gemino 20 / 30	S
1B	1*	7102905	Service kit Cross brace Gemino 20 M / 30 M	S
1C	1*	7102906	Service kit Cross brace Gemino 20 S / 30 S	S
1D	1	7162901	Service kit Cross brace Gemino 60	S
1E	1	7162902	Service kit Cross brace Gemino 60 M	S
2A	1**	7102907	Service kit Cross brace Gemino 20 / 30	S
2B	1**	7102908	Service kit Cross brace Gemino 20 M / 30 M	S
2C	1**	7102909	Service kit Cross brace Gemino 20 S / 30 S	S
3	1**	7102950	Lower fixation cross brace service set	S
4	2	7104250	Stopper and screw, set	S

**Note :**

- \* For Gemino produced from 2013, Serialnumber : HG-R.....
- \*\* For Gemino produced before 2013, Serialnumber : HG-.....

03 Push handle

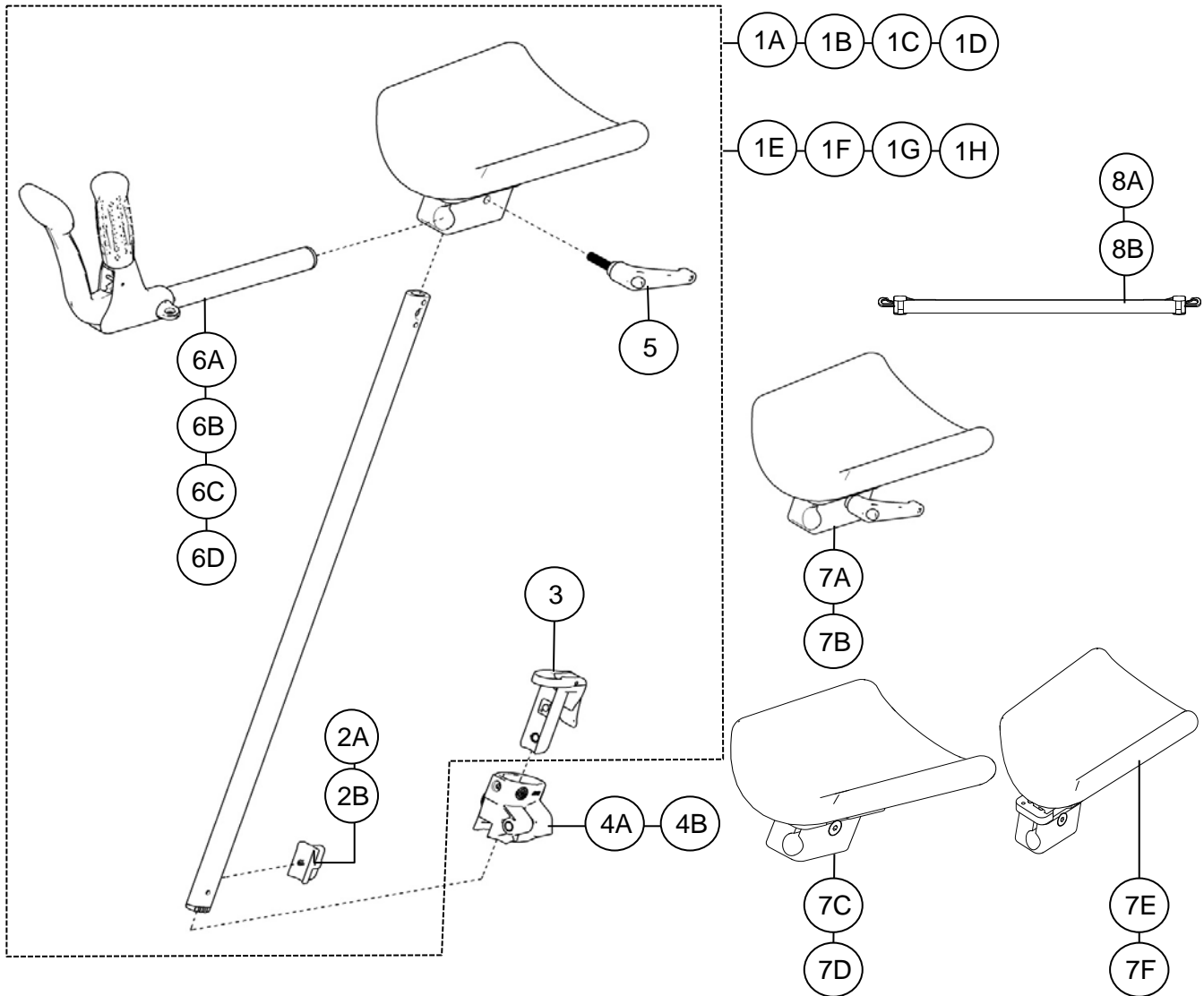


Pos	Ant/Qty	Art.No.	Description	Note
1A	1	7105001	Push handle complete Gemino 30, RHS	S
1B	1	7105005	Push handle complete Gemino 30, LHS	S
1A	1	7105011	Push handle complete Gemino 30 S, RHS	S
1B	1	7105015	Push handle complete Gemino 30 S, LHS	S
1A	1	7105016	Push handle complete Gemino 30 M, RHS	S
1B	1	7105017	Push handle complete Gemino 30 M, LHS	S
1A	1	7105050	Push handle complete RHS, Gemino 30, - champagne	S
1B	1	7105051	Push handle complete LHS, Gemino 30, - champagne	S
1A	1	7105052	Push handle complete RHS, Gemino 30, - blue	S
1B	1	7105053	Push handle complete LHS, Gemino 30, - blue	S
1A	1	7105054	Push handle complete RHS, Gemino 30, - pink	S
1B	1	7105055	Push handle complete LHS, Gemino 30, - pink	S
1A	1	7105058	Push handle complete RHS, Gemino 30, - black	S
1B	1	7105059	Push handle complete LHS, Gemino 30, - black	S
1A	1	9008727	Push handle complete RHS, Gemino 30, - apple green	S
1B	1	9008728	Push handle complete LHS, Gemino 30, - apple green	S
1A	1	7105070	Push handle complete RHS, Gemino 30 S - blue	S
1B	1	7105071	Push handle complete LHS, Gemino 30 S - blue	S
1A	1	7105072	Push handle complete RHS, Gemino 30 S - pink	S
1B	1	7105073	Push handle complete LHS, Gemino 30 S - pink	S

03 Push handle

Pos	Ant/Qty	Art.No.	Description	Note
1A	1	7105080	Push handle complete RHS, Gemino 30 M - champagne	S
1B	1	7105081	Push handle complete LHS, Gemino 30 M - champagne	S
1A	1	7105082	Push handle complete RHS, Gemino 30 M - blue	S
1B	1	7105083	Push handle complete LHS, Gemino 30 M - blue	S
1A	1	9008731	Push handle complete RHS, Gemino 30 M - apple green	S
1B	1	9008732	Push handle complete LHS, Gemino 30 M - apple green	S
1A	1	7125001	Push handle complete Gemino 20, RHS	S
1B	1	7125005	Push handle complete Gemino 20, LHS	S
1A	1	7125011	Push handle complete Gemino 20 S, RHS	S
1B	1	7125015	Push handle complete Gemino 20 S, LHS	S
1A	1	7125016	Push handle complete Gemino 20 M, RHS	S
1B	1	7125017	Push handle complete Gemino 20 M, LHS	S
1A	1	7165001	Push handle complete Gemino 60, RHS	S
1B	1	7165002	Push handle complete Gemino 60, LHS	S
1A	1	7165011	Push handle complete Gemino 60 M, RHS	S
1B	1	7165012	Push handle complete Gemino 60 M, LHS	S
2A	1	7105221	Anatomic formed grip RHS	S
2B	1	7105222	Anatomic formed grip LHS	S
3A	1	7105225	Brake handle RHS	S
3B	1	7105226	Brake handle LHS	S
3C	1 <sup>3)</sup>	7105225-J	Brake handle RHS	S
3D	1 <sup>3)</sup>	7105226-J	Brake handle LHS	S
4A	1 <sup>4)</sup>	7105231	Unit for memory function Gemino 20 / 30 / 60	S
4B	1 <sup>4)</sup>	7105232	Unit for memory function Gemino 20 M / 30 M / 20 S / 30 S / 60 M	
5	1	7105010	Lock unit for push handles	S
6A	1 <sup>1)</sup>	7105035	Sleeve for lock unit RHS	S
6B	1 <sup>1)</sup>	7105036	Sleeve for lock unit LHS	S
7A	1 <sup>2)</sup>	7105030	Sleeve for lock unit RHS	S
7B	1 <sup>2)</sup>	7105031	Sleeve for lock unit LHS	S
8	2	74105040	Service kit - Grip with brake handle Gemino 60 / 60 M	S
		1)	For Gemino produced from 2013, Serialnumber : HG-R.....	
		2)	For Gemino produced before 2013, Serialnumber : HG-.....	
		3)	For Gemino 60 with serial number before HG-T105725 and Gemino 60 M with serial number before HG-T701059	
		4)	Only for sale in qty of 5 pieces	
			Now colour specified = Standard colour	

### 03.1 Underarm support



Pos	Ant/Qty	Art.No.	Description	Note
1A	1	7106001	Underarm support complete Gemino 30 Walker RHS	S
1B	1	7106002	Underarm support complete Gemino 30 Walker LHS	S
1C	1	7106011	Underarm support complete Gemino 30 M Walker RHS	S
1D	1	7106012	Underarm support complete Gemino 30 M Walker LHS	S
1E	1	7166001	Underarm support complete Gemino 60 Walker RHS	S
1F	1	7166002	Underarm support complete Gemino 60 Walker LHS	S
1G	1	7166021	Underarm support complete Gemino 60 M Walker RHS	S
1H	1	7166022	Underarm support complete Gemino 60 M Walker LHS	S
2A	1 <sup>1)</sup>	7105231	Unit for memory function Gemino 30 / 60 Walker	S
2B	1 <sup>1)</sup>	7105232	Unit for memory function Gemino 30 M / 60 M Walker	S
3	1 <sup>2)</sup>	7105010	Lock unit for push handles	S
4A	1 <sup>2)</sup>	7105035	Sleeve for lock unit RHS	S
4B	1 <sup>2)</sup>	7105036	Sleeve for lock unit LHS	S
5	1	7106111	Locking handle	S
6A	1	7106211	Handle complete w/brake, Gemino 30 / 30 M Walker RHS	S
6B	1	7106212	Handle complete w/brake, Gemino 30 / 30 M Walker LHS	S

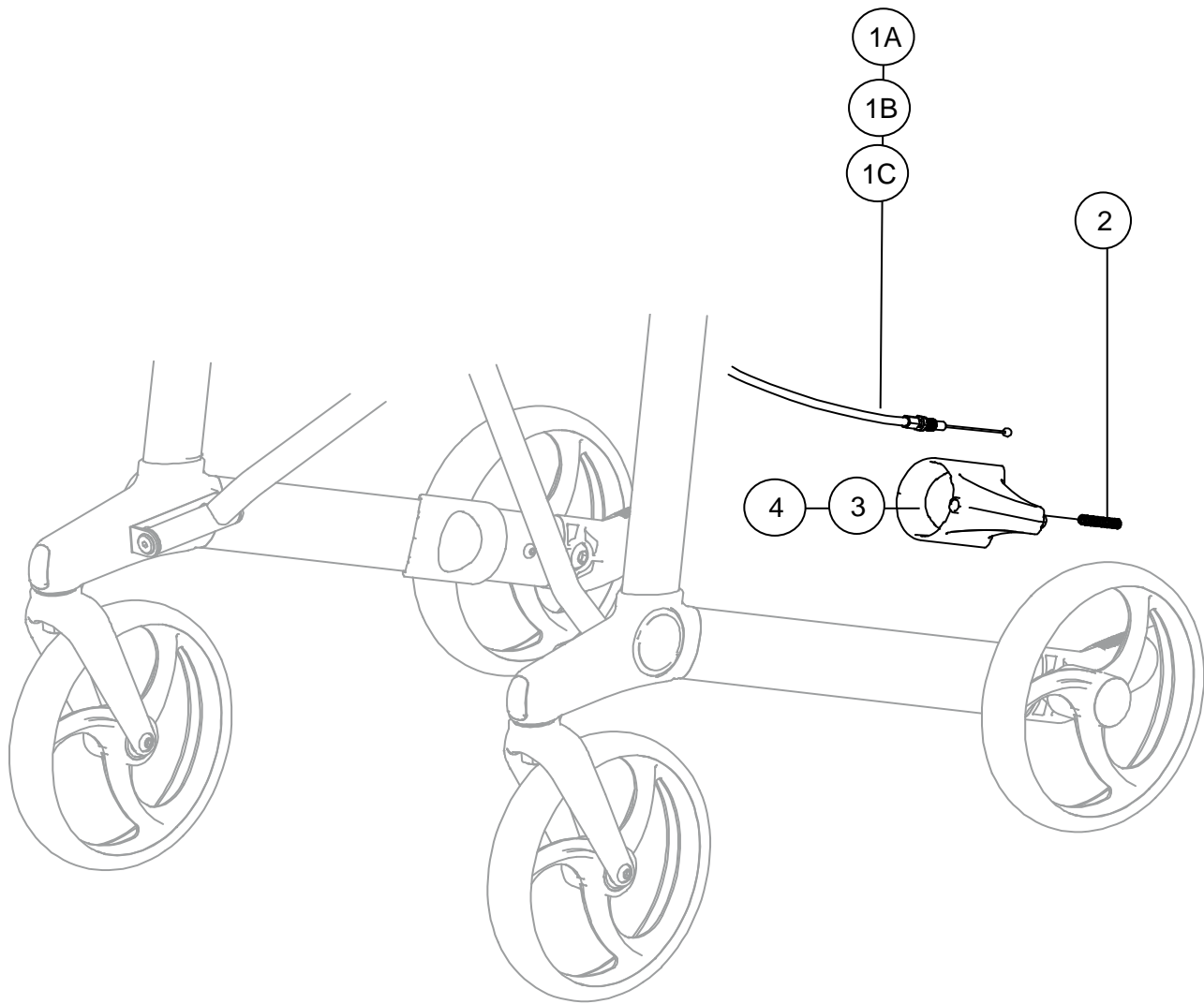
### 03.1 Underarm support

Pos	Ant/Qty	Art.No.	Description	Note
6C	1	7166211	Handle complete w/brake, Gemino 60 / 60 M Walker RHS	S
6D	1	7166212	Handle complete w/brake, Gemino 60 / 60 M Walker LHS	S
7A	1	7106201	Pads for underarm support complete Gemino 30 / 30 M Walker RHS	S
7B	1	7106202	Pads for underarm support complete Gemino 30 / 30 M Walker LHS	S
7C	1	7166201	Pads for underarm support complete Gemino 60 Walker RHS	S
7D	1	7166202	Pads for underarm support complete Gemino 60 Walker LHS	S
7E	1	7166203	Pads for underarm support complete Gemino 60 M Walker RHS	S
7F	1	7166204	Pads for underarm support complete Gemino 60 M Walker LHS	S
8A	1	7106109	Stabilator strap complete Gemino 30 / 30M Walker	S
8B	1	7166109	Stabilator strap complete Gemino 60 / 60 M Walker	S
7A	1 <sup>3)</sup>	7105030	Sleeve for lock unit RHS	S
7B	1 <sup>3)</sup>	7105031	Sleeve for lock unit LHS	S

- 1) Only for sale in qty of 5 pieces
- 2) For Gemino produced from 2013, Serialnumber : HG-R.....
- 3) For Gemino produced before 2013, Serialnumber : HG-.....

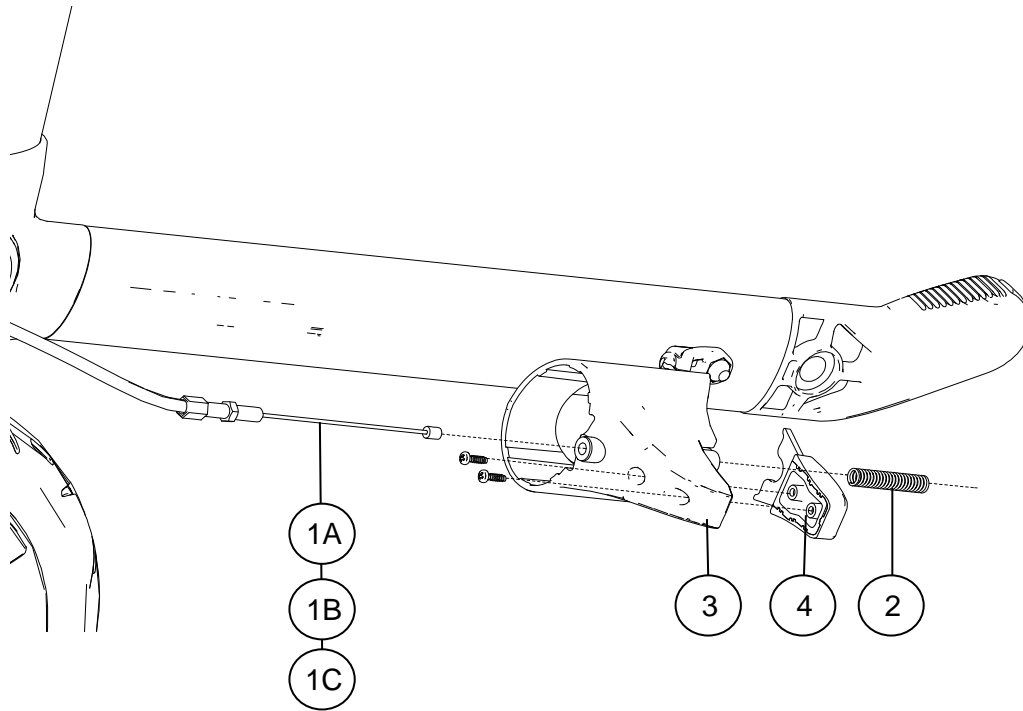


## 04.1 Brakes



Pos	Ant/Qty	Art.No.	Description	Note
1A,2,3	1	7108207	Wire and brake block complete Gemino 20 / 30 RHS	S
1A,2,4	1	7108208	Wire and brake block complete Gemino 20 / 30 LHS	S
1B,2,3	1	7108209	Wire and brake block complete Gemino 20 S / 30 S RHS	S
1B,2,4	1	7108210	Wire and brake block complete Gemino 20 S / 30 S LHS	S
1C,2,3	1	7108211	Wire and brake block complete Gemino 20 M / 30 M RHS	S
1C,2,4	1	7108212	Wire and brake block complete Gemino 20 M / 30 M LHS	S
1A	1	7108225	Wire, complete Gemino 20 / 30 / 60	S
1B	1	7108230	Wire, complete Gemino 20 S / 30 S	S
1C	1	7108231	Wire, complete Gemino 20 M / 30 M / 60 M	S
2	1 *	7108226	Spring for brake wire	S
3	1	7108221	Brake block Gemino 20 / 30 RHS	S
4	1	7108222	Brake block Gemino 20 / 30 LHS	S

\*) Only for sale in qty of 5 pieces



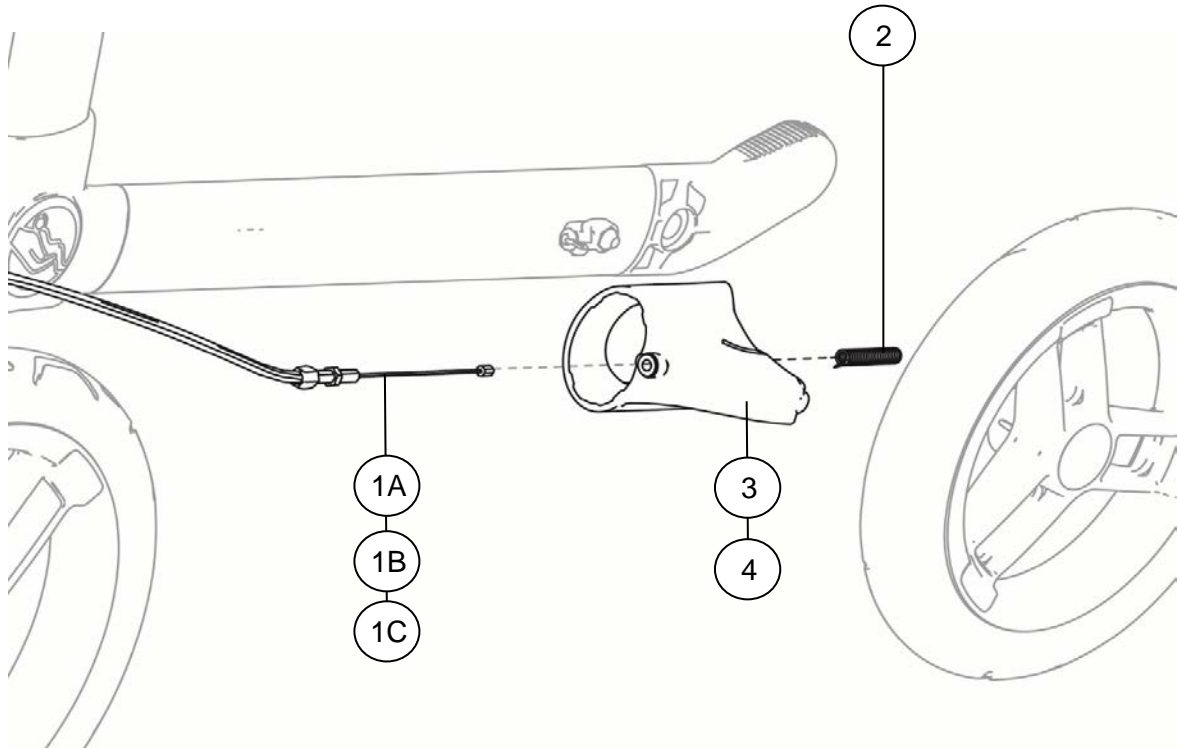
Pos	Ant/Qty	Art.No.	Description	Note
1A,2,3,5	1 <sup>1)</sup>	7168220	Wire and brake block complete Gemino 30 Comfort / 60 RHS=LHS	S
1C,2,3,5	1 <sup>2)</sup>	7168230	Wire and brake block complete Gemino 30 M Comfort / 60 M RHS=LHS	S
1A	1	7108225	Wire, complete Gemino 20 / 30 / 60	S
1B	1	7108230	Wire, complete Gemino 20 S / 30 S	S
1C	1	7108231	Wire, complete Gemino 20 M / 30 M / 60 M	S
2	1 <sup>3)</sup>	7108226	Spring for brake wire	S
3	1 <sup>1)2)</sup>	7168223	Brake block Gemino 30 Comfort / 60 / 30 M Comfort / 60 M RHS=LHS	S
4	1	7168224	Brake pad, set of 2	S

1) For Gemino 60 with serial number higher than HG-T105725 for lower serial number, see next page

2) For Gemino 60 M with serial number higher than HG-T701059 for lower serial number, see next page

3) Only for sale in qty of 5 pieces

## 04.3 Brakes



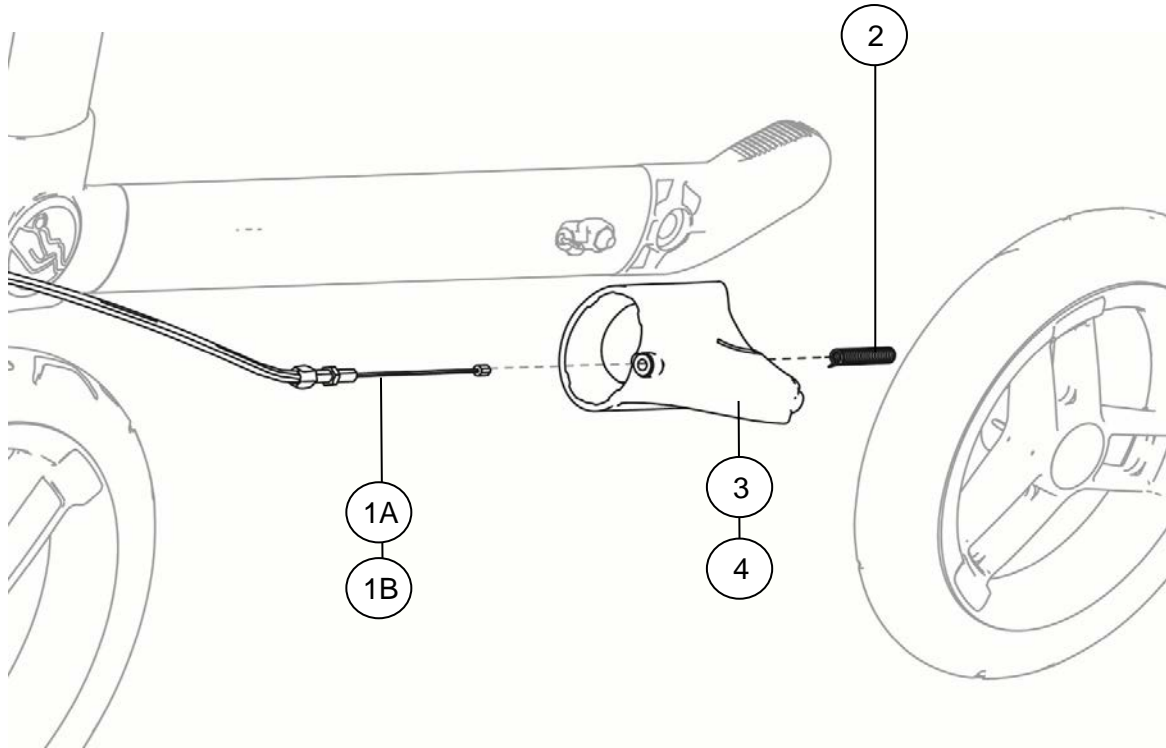
Pos	Ant/Qty	Art.No.	Description	Note
1A,2,3	1 <sup>1)</sup>	7168201	Wire and brake block complete Gemino 60 RHS	S
1A,2,4	1 <sup>1)</sup>	7168202	Wire and brake block complete Gemino 60 LHS	S
1C,2,3	1 <sup>2)</sup>	7168211	Wire and brake block complete Gemino 60 M RHS	S
1C,2,4	1 <sup>2)</sup>	7168212	Wire and brake block complete Gemino 60 M LHS	S
1A	1	7108225	Wire, complete Gemino 20 / 30 / 60	S
1B	1	7108230	Wire, complete Gemino 20 S / 30 S	S
1C	1	7108231	Wire, complete Gemino 20 M / 30 M / 60 M	S
2	1 <sup>3)</sup>	7108226	Spring for brake wire	S
3	1 <sup>1)2)</sup>	7168221	Brake block Gemino 60 RHS	S
4	1 <sup>1)2)</sup>	7168222	Brake block Gemino 60 LHS	S

1) For Gemino 60 with serial number lower than..... for higher serial number, see previous page

2) For Gemino 60 M with serial number higher than..... for lower serial number, see previous page

3) Only for sale in qty of 5 pieces

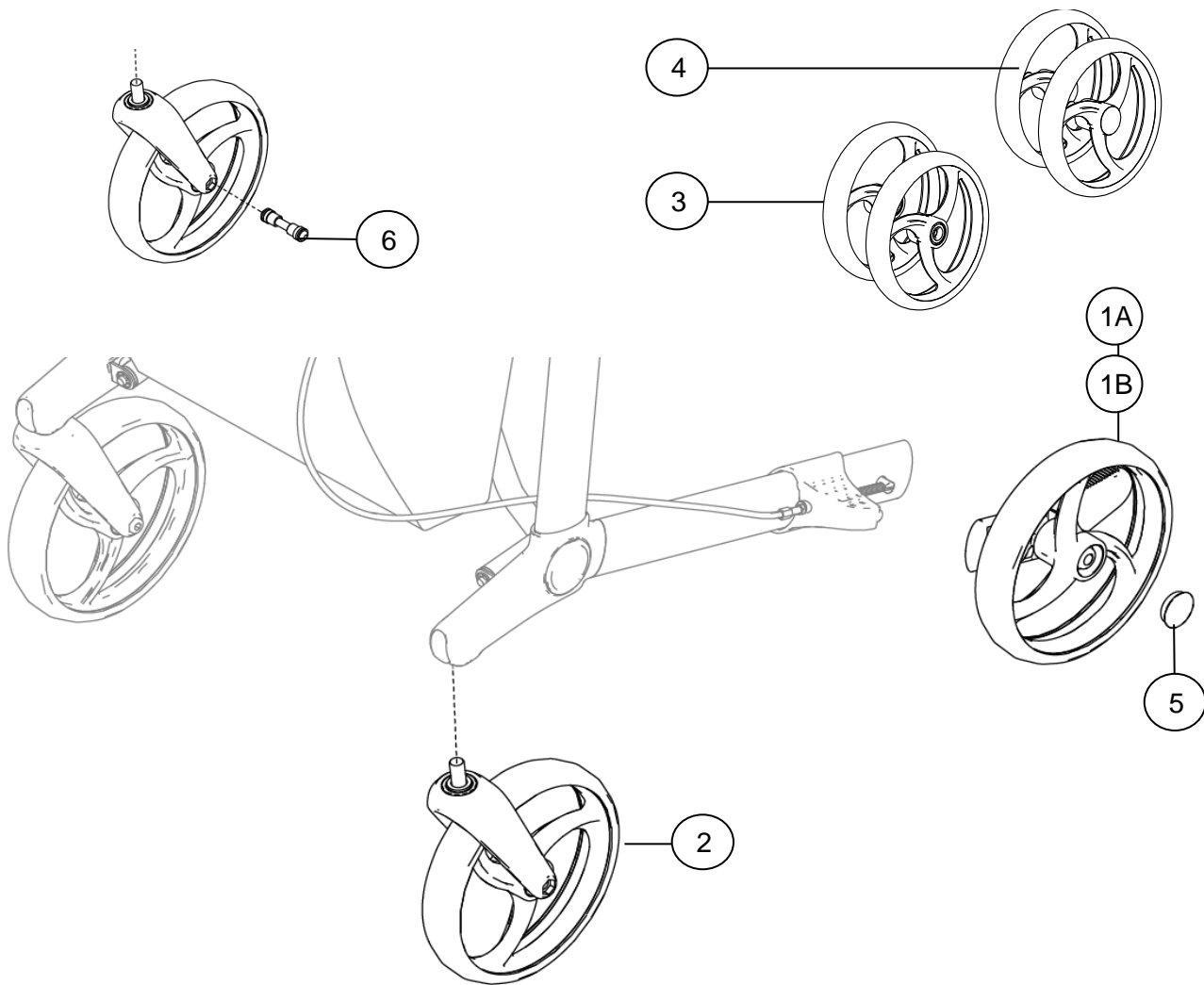
## 04.4 Brakes



Pos	Ant/Qty	Art.No.	Description	Note
1A,2,3	1	7108236	Wire and brake block complete Gemino 30 Parkinson RHS	S
1A,2,4	1	7108237	Wire and brake block complete Gemino 30 Parkinson LHS	S
1B,2,3	1	7108238	Wire and brake block complete Gemino 30 M Parkinson RHS	S
1B,2,4	1	7108239	Wire and brake block complete Gemino 30 M Parkinson LHS	S
3	1	7108221	Brake block Gemino 20 / 30 RHS	S
4	1	7108222	Brake block Gemino 20 / 30 LHS	S

\*) Only for sale in qty of 5 pieces

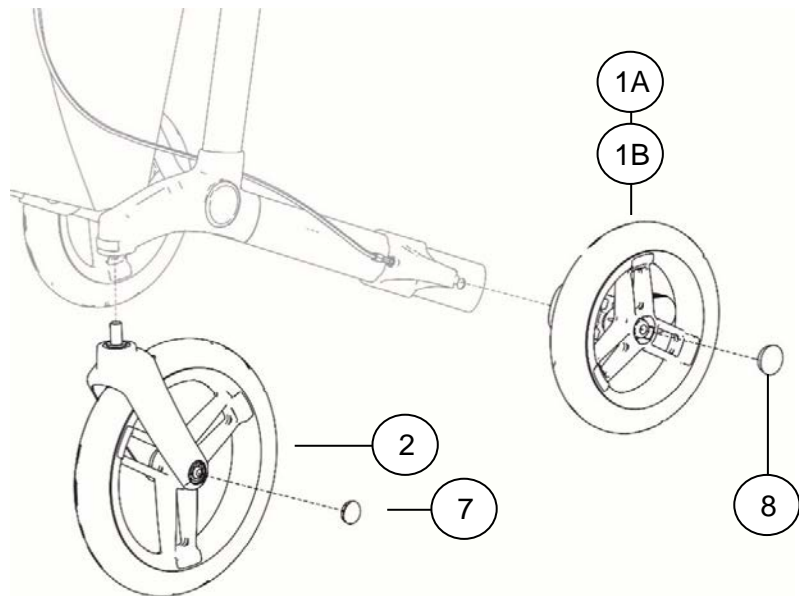
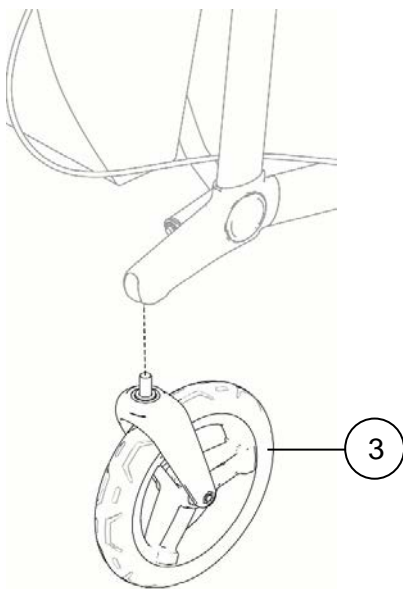
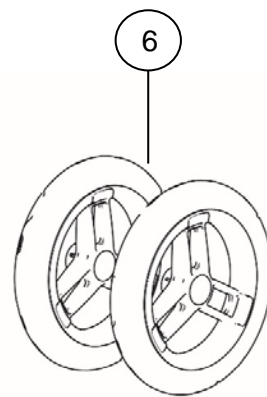
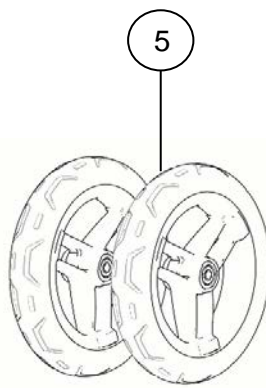
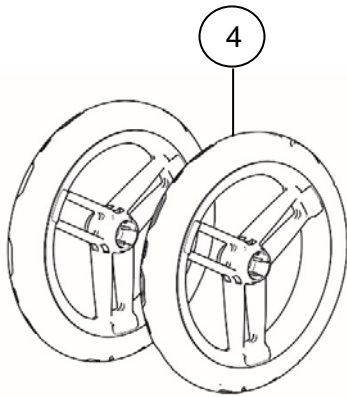
## 05.1 Wheels



Pos	Ant/Qty	Art.No.	Description	Note
1A	1	7107006	Rear wheel 200x36 w/ fix. bolt, tipping bar and reflex RHS, Gemino 30 / 30 M / 30 S / 20 / 20 M / 20 S	S
1B	1	7107007	Rear wheel 200x36 w/ fix. bolt, tipping bar and reflex LHS, Gemino 30 / 30 M / 30 S / 20 / 20 M / 20 S	S
2	1	7107013	Fork w/ wheel black complete RHS=LHS, Gemino 30 / 30 M / 30 S / 20 / 20 M / 20 S	S
3	1	7107036	Front wheel x2 Black, Gemino 30 / 30 M / 30 S / 20 / 20 M / 20 S	S
4	1	7107026	Rear wheel x2 Black, RHS+LHS, Gemino 30 / 30 M / 30 S / 20 / 20 M / 20 S	S
5	1	84524	Plastic cover	S
6	1*	7107020	Fastner for front wheel	S

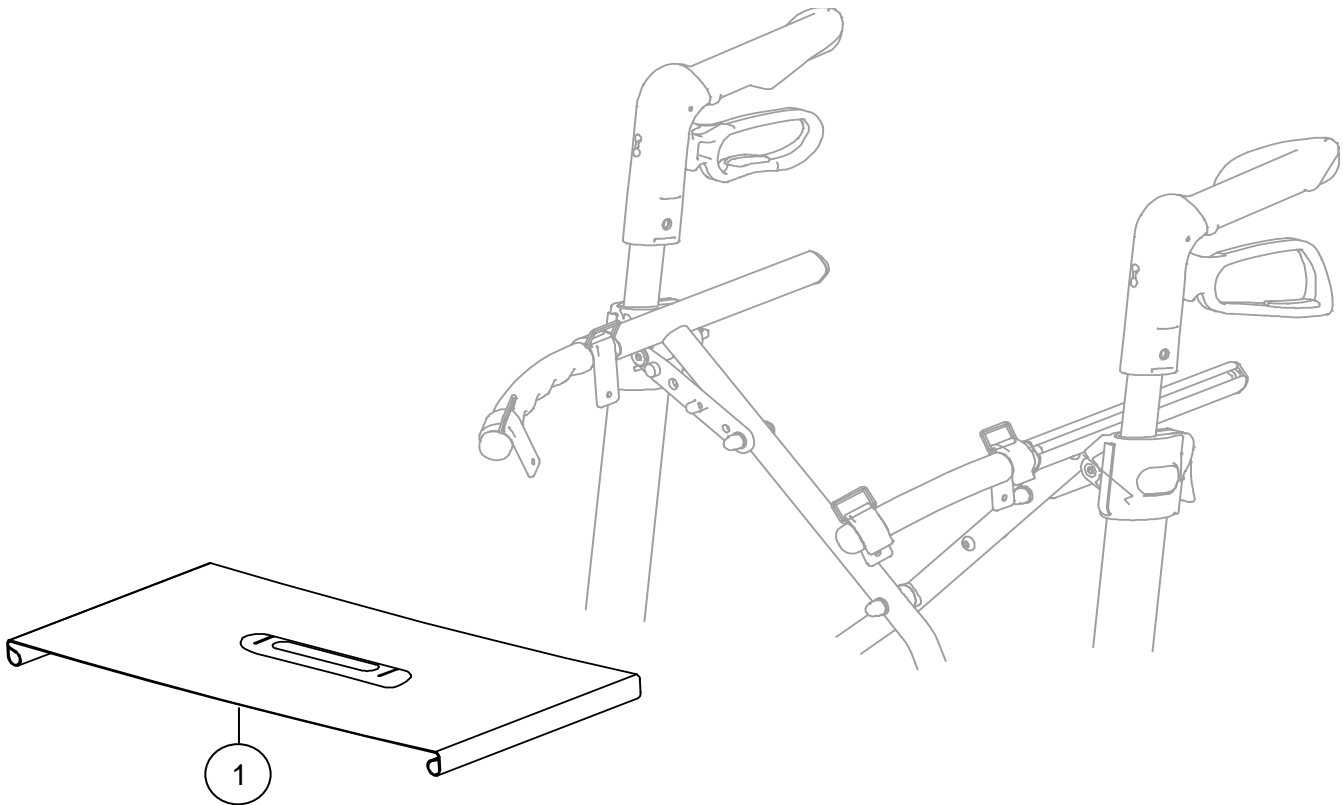
\* For Gemino produced before 2013, Serialnumber : HG-.....

## 05.2 Wheels



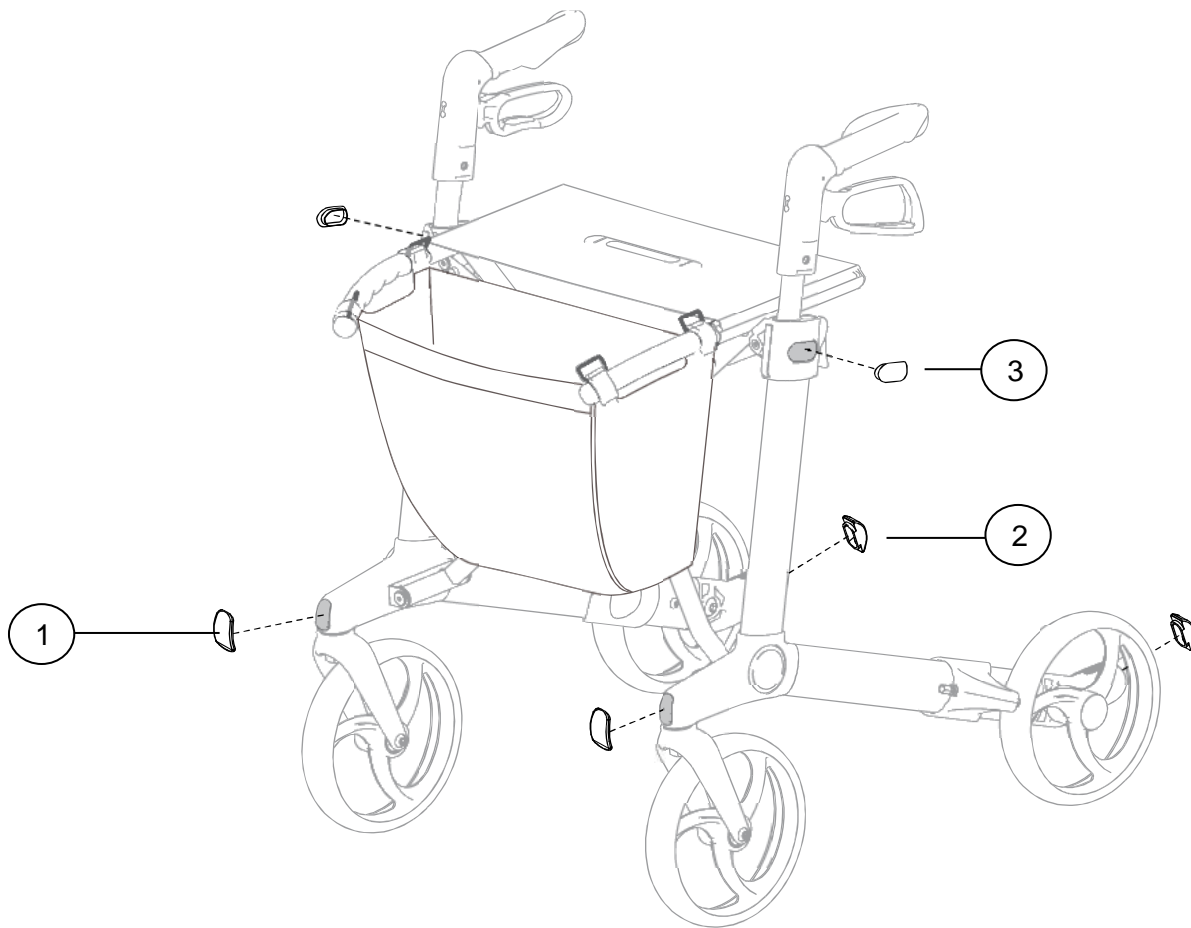
Pos	Ant/Qty	Art.No.	Description	Note
1A	1	7167001	Rear wheel 230x42 RHS w/ fix. bolt and tipping bar and reflex, Gemino 60 / 60 M / 30 Comfort / 30 M Comfort	S
1B	1	7167002	Rear wheel 230x42 LHS w/ fix. bolt and tipping bar and reflex, Gemino 60 / 60 M / 30 Comfort / 30 M Comfort	S
2	1	7167015	Fork w/ wheel black complete RHS=LHS, Gemino 60 / 60 M	S
3	1	7107015	Fork w/ wheel black complete RHS=LHS, Gemino 30 Comfort / 30 M Comfort	S
4	1	7167030	Front wheel x2 , Gemino 60 / 60 M	S
5	1	7107016	Front wheel x2 , Gemino 30 Comfort / 30 M Comfort	S
6	1	7167020	Rear wheel x2 RHS+LHS, Gemino 60 / 60 M / 30 Comfort / 30 M Comfort	S
7	1*	84524	Plastic cover	S
8	1*	7167101	Plastic cover	S

\*) Only for sale in qty of 20 pieces



Pos	Ant/Qty	Art.No.	Description	Note
1	1	7104010	Seat sling complete with release strap Gemino 30 / 30 M	S
1	1	7104011	Seat sling complete with release strap Gemino 30 S	S
1	1	7124010	Seat sling complete with release strap Gemino 20 / 20 M	S
1	1	7124011	Seat sling complete with release strap Gemino 20 S	S
1	1	7164010	Seat sling complete with release strap Gemino 60	S
1	1	7164011	Seat sling complete with release strap, Gemino 60 M	S

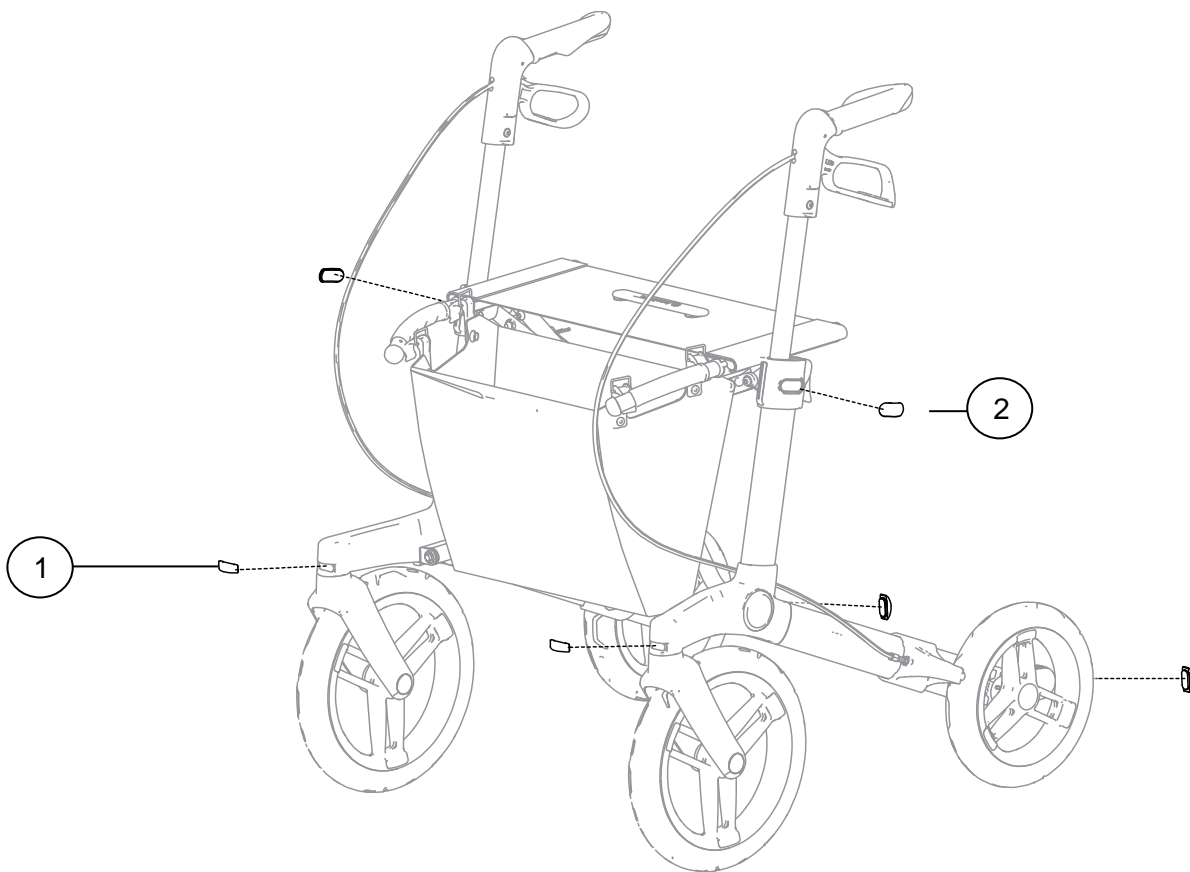
## 07.1 Reflector



Pos	Ant/Qty	Art.No.	Description	Note
1-3	1	7101250	Reflex set, complete, Gemino 30 / 30 M / 30 S / 20 / 20 M / 20 S	S
1	2	7101222	Reflex front, clear	
2	2	7101228	Reflex rear, clear	
3	2	7105250	Reflex side, clear	

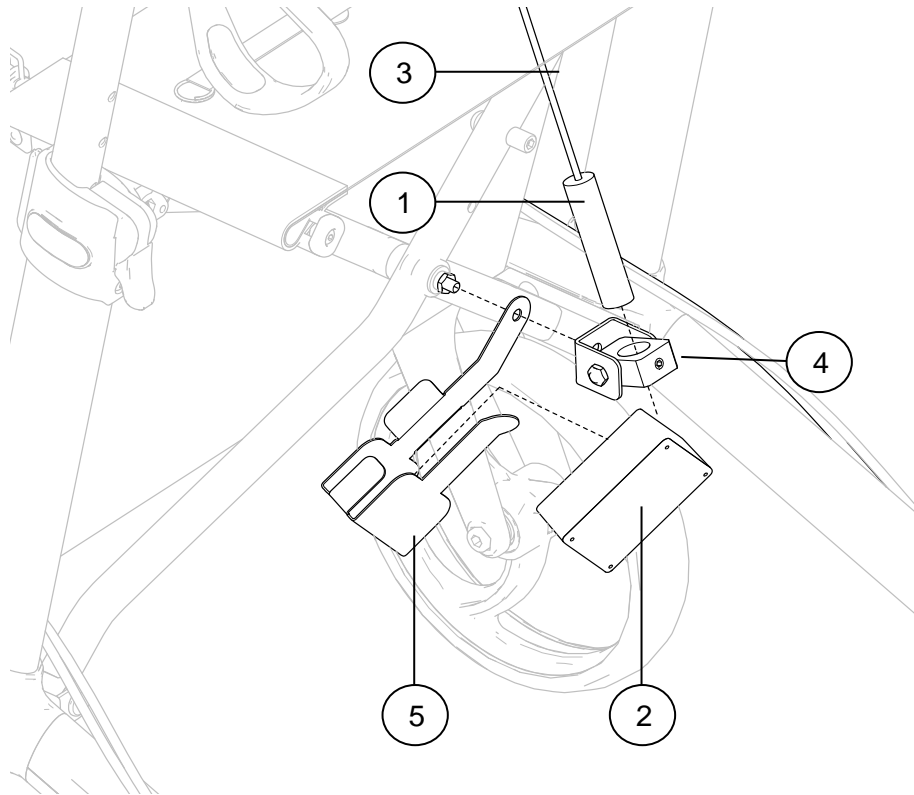
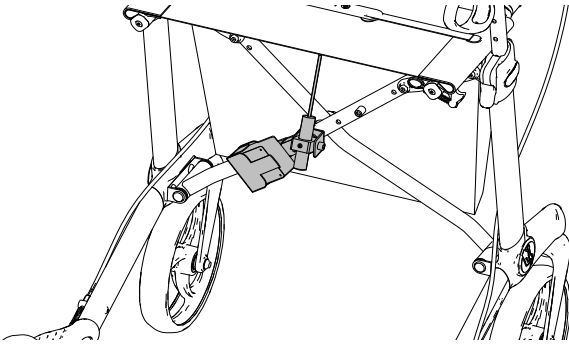


## 07.2 Reflector



Pos	Ant/Qty	Art.No.	Description	Note
1-2	1	7161250	Reflex set complete Gemino 60 / 60 M	S
1	4	7101228	Reflex front / rear, clear	
2	2	7105250	Reflex side, clear	

## 08.1 Laser



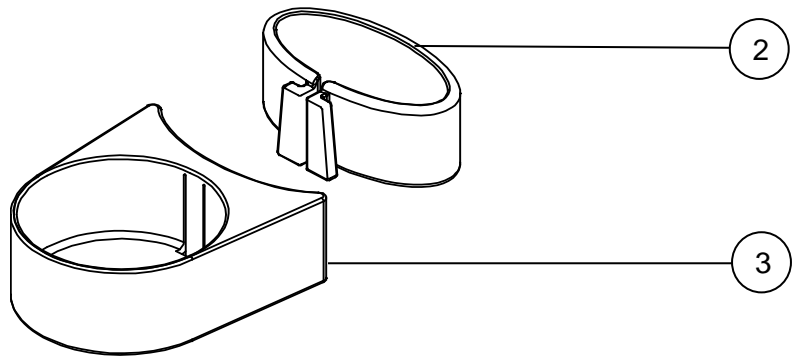
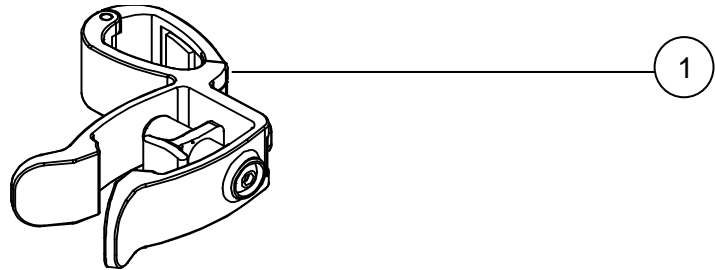
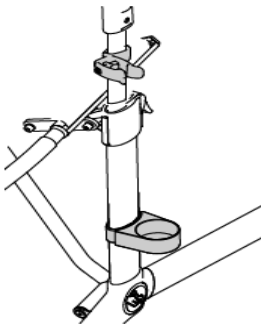
Pos	Ant/Qty	Art.No.	Description	Note
1	1	7109111	Green line laser module	S
2	1	7109112	Electronics box	S
3	1	7109113	Button with cable	S
4	1	7109114	Bracket set for laser	S
5	1	7109115	Bracket for electronics box	S

## 09.1 Basket



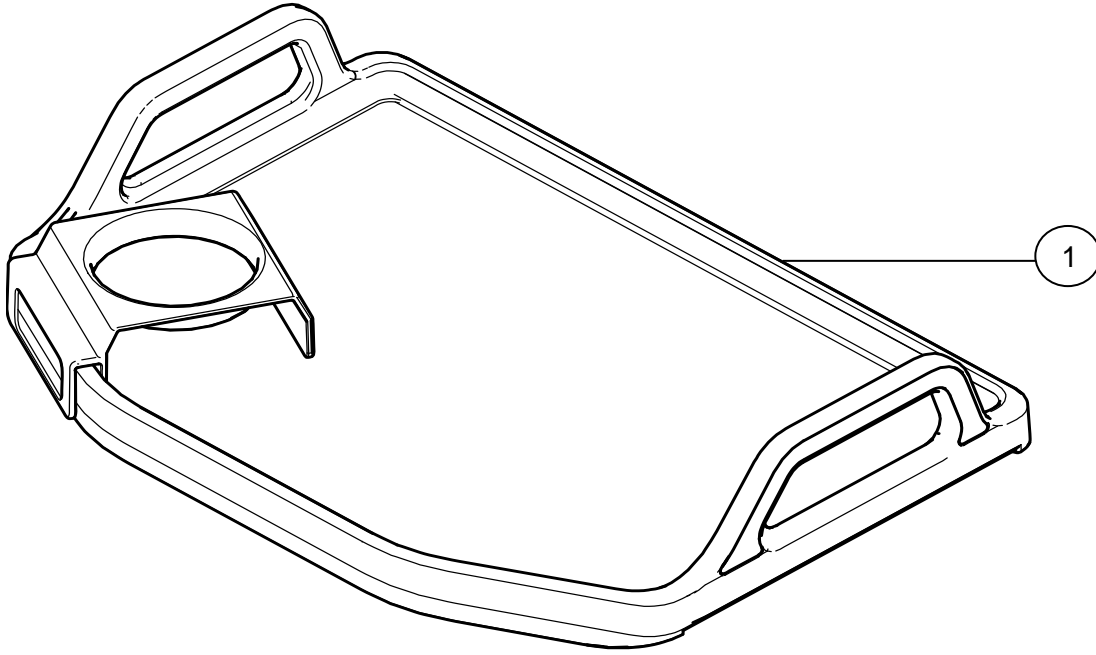
Pos	Ant/Qty	Art.No.	Description	Note
1	1	7104001	Basket, standard, Gemino 30 / 60 / 30 M, Black	S
1	1	7104004	Basket, standard, complete Gemino 60 M, Black	S
2	1	7124001	Basket, standard, Gemino 20 / 20 M, Black	S
2	1	7124002	Basket, standard, Gemino 20 S, Black	S
3	1	7104006	Bag, advanced Gemino 30 / 60 / 30 M, Black	S
4	1	7104023	Bag, advanced, Gemino 30 / 60 / 30 M, Pink / Black	S
5	1	7104022	Bag, advanced, Gemino 30 / 60 / 30 M, Blue / Black	S
6	1	7104025	Bag, advanced, Gemino 30 / 60 / 30 M, Grey / Black	S
7	1	7104024	Bag, advanced, Gemino 30 / 60 / 30 M, Brown / Black	S
8	1	7104002	Basket, standard, complete Gemino 30 S, Black	S
9		7104007	Bag, advanced, Gemino 30 S, Black	
10	1	7104033	Basket, complete Gemino 30 S Pink / Black	S
11	1	7104035	Basket, complete Gemino 30 S Grey / Black	S
12	1	7104032	Basket, complete Gemino 30 S Blue / Black	S

09.2 Crutch holder



Pos	Ant/Qty	Art.No.	Description	Note
1-3	1	7109011	Crutch holder complete	S
1	1	7109214	Clamp complete	
2	1	7109212	Clamp for crutch	
3	1	7109213	Cup for crutch	

09.3 Tray

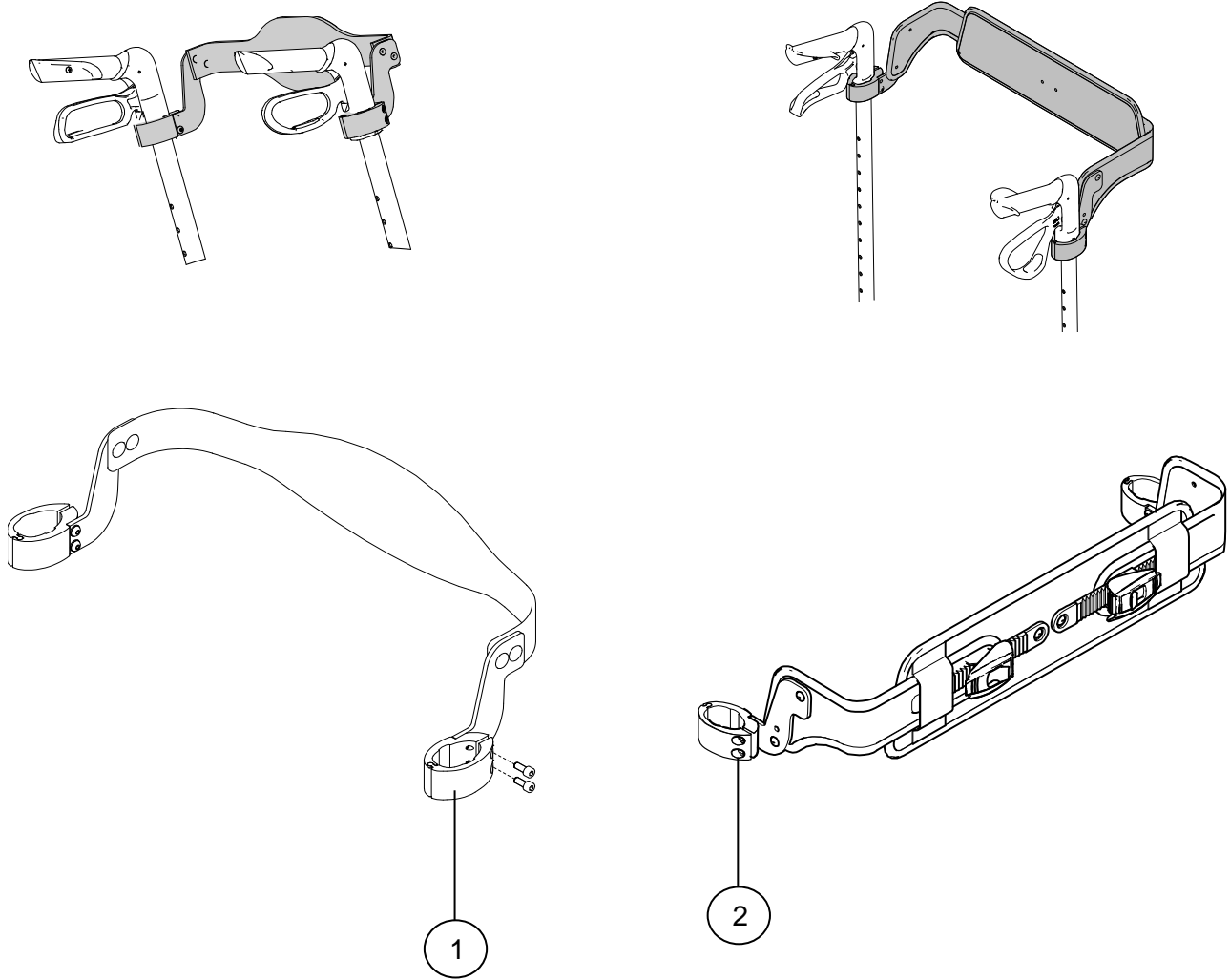


---

Pos	Ant/Qty	Art.No.	Description	Note
1	1	7109140	Tray with cup holder	S

---

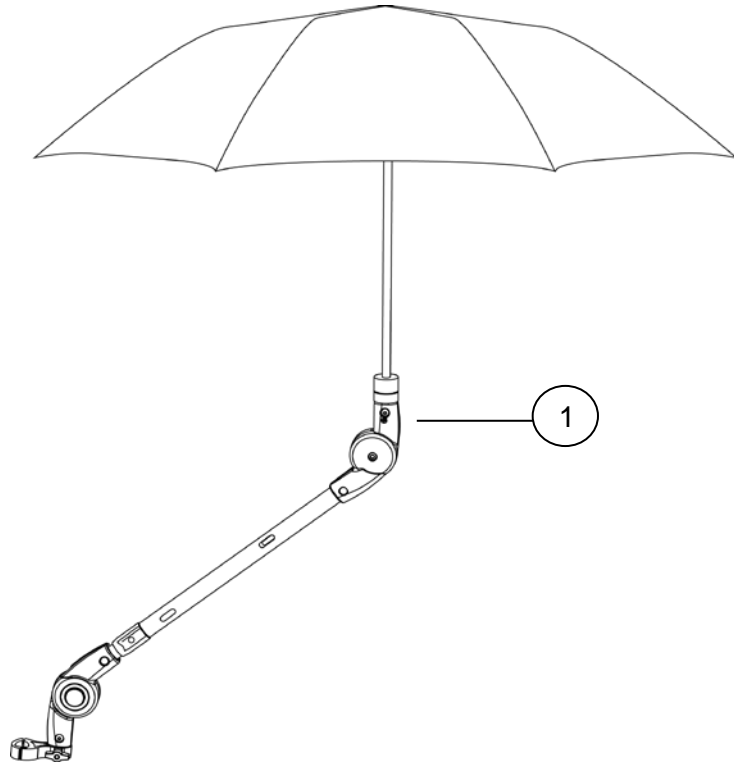
## 09.4 Back support



Pos	Ant/Qty	Art.No.	Description	Note
1	1	7109020	Back support Gemino 30 / 30 M / 20 / 20 M	S
1	1	7109021	Back support Gemino 30 S / 20 S	S
2*	1	7109035	Adjustable comfort back	S

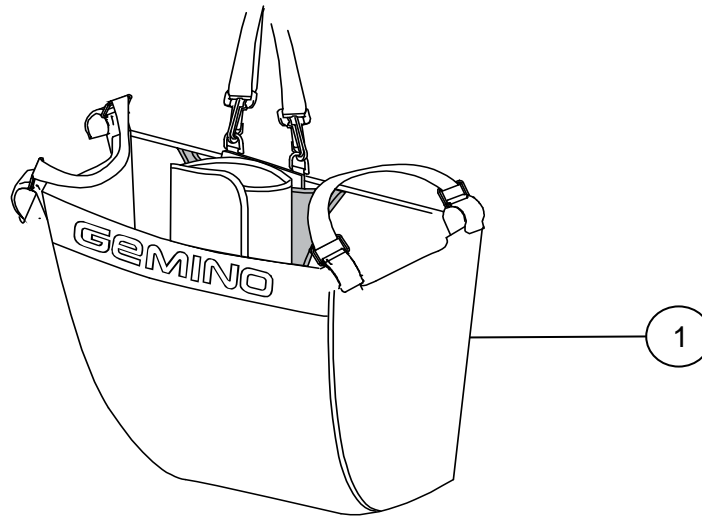
\*) Fits all Gemino models except Walker. Only back support option for Gemino 60 / 60 M.

09.5 Umbrella



Pos	Ant/Qty	Art.No.	Description	Note
1	1	7109060	Umbrella	S

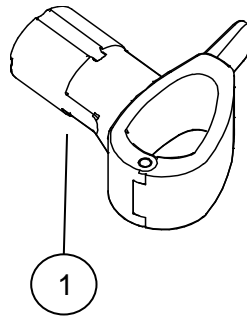
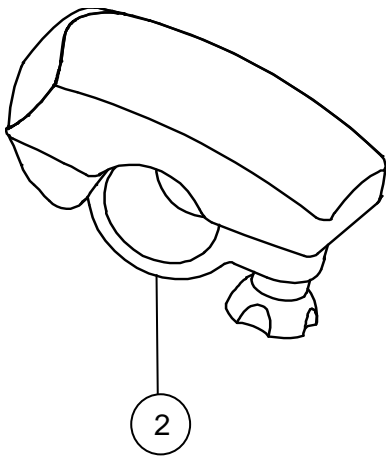
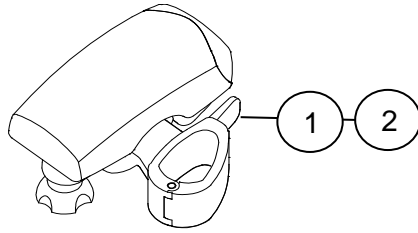
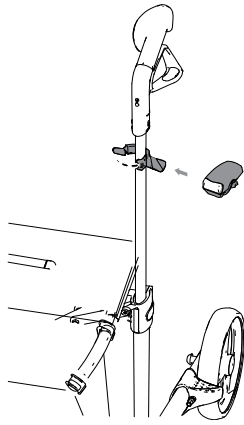
## 09.6 Oxygen holder



Pos	Ant/Qty	Art.No.	Description	Note
1	1	7109050	Basket with oxygenholder Gemino 30 / 30 M / 60	S
1	1	7109051	Basket with oxygenholder Gemino 30 S	S

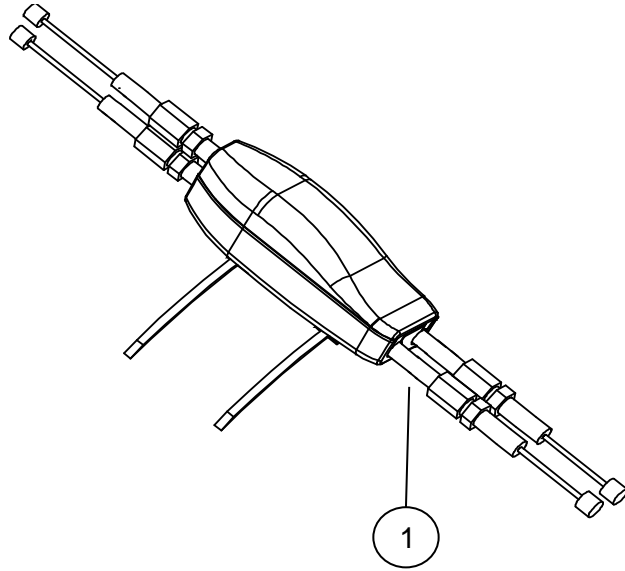
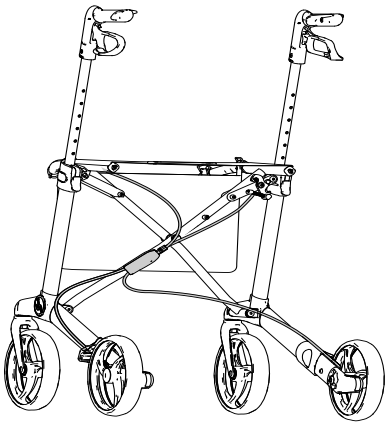


09.7 Universal bracket, light



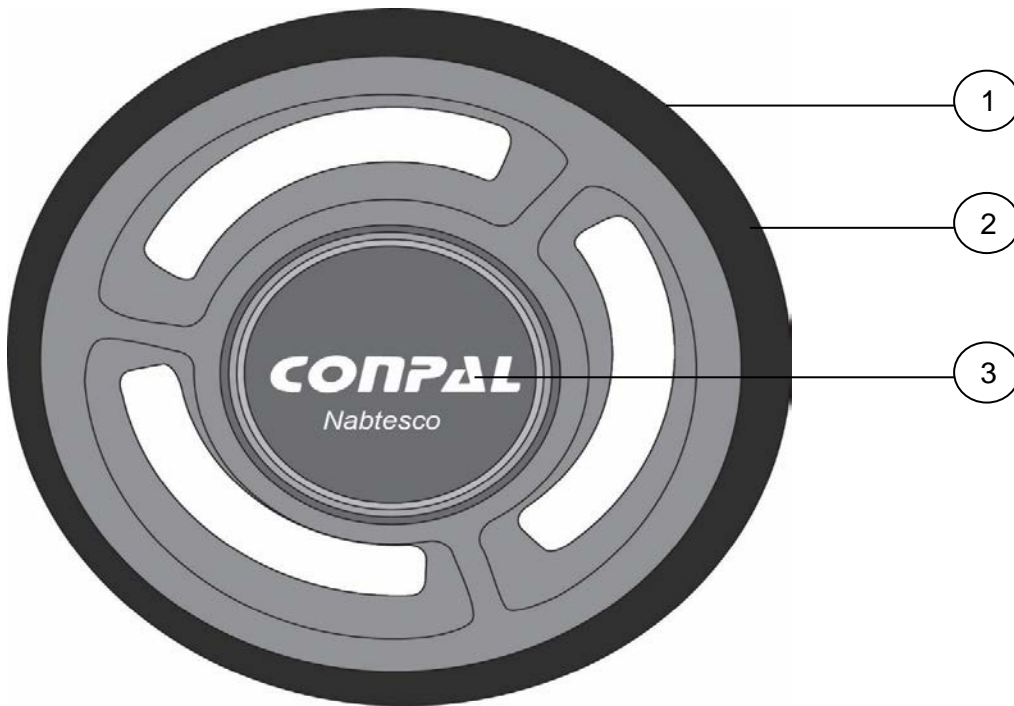
Pos	Ant/Qty	Art.No.	Description	Note
1	1	7109090	Universal bracket	S
1-2	1	7109095	Light complete	S
2	1	7109096	Light	S

## 09.8 One Hand brake



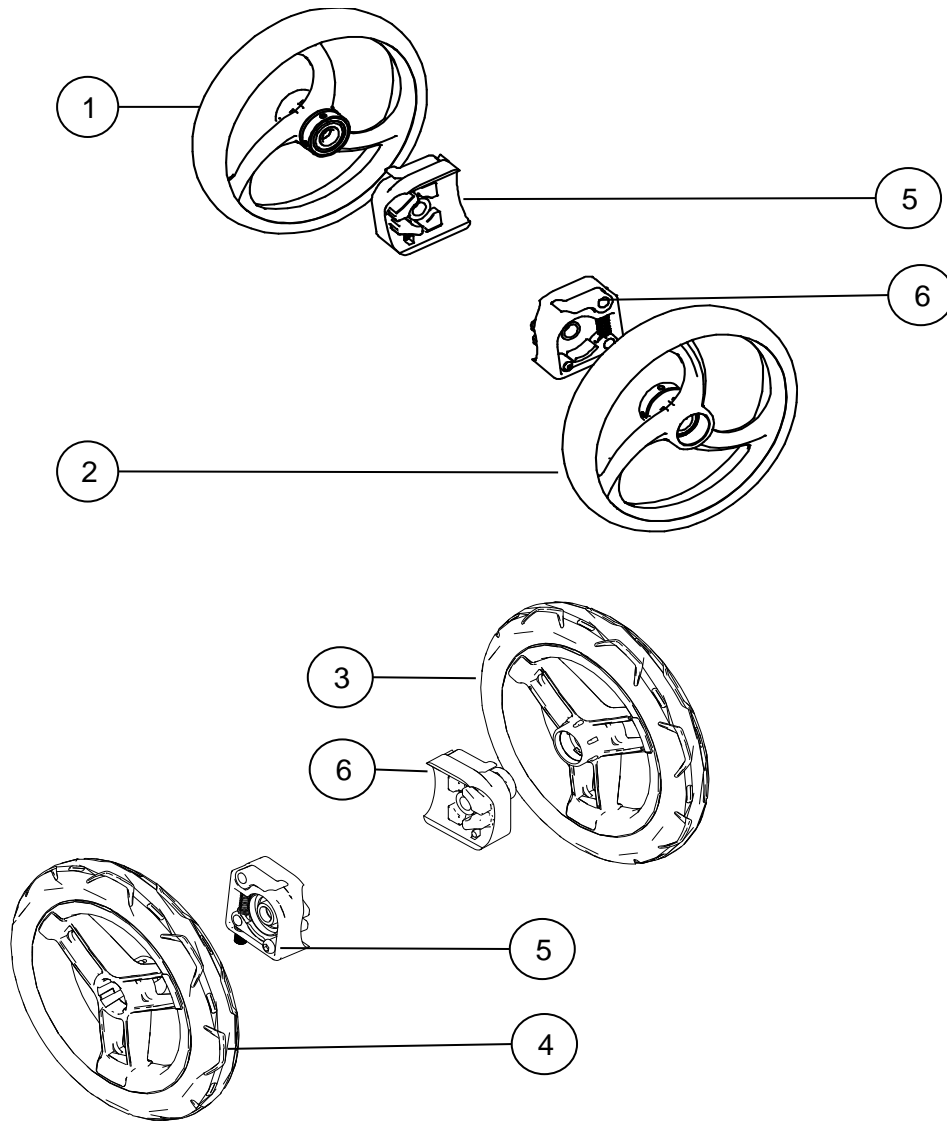
Pos	Ant/Qty	Art.No.	Description	Note
1	1*	7109071	One hand brake both sides	S

\* Not for Gemino 60 and Gemino 60 M



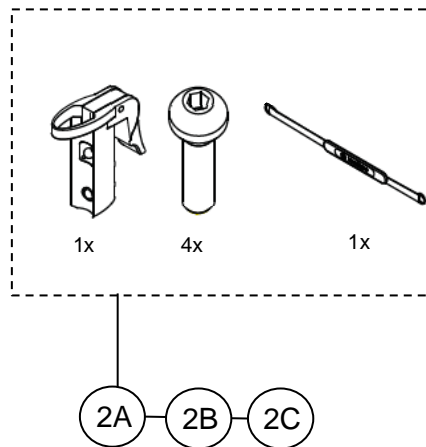
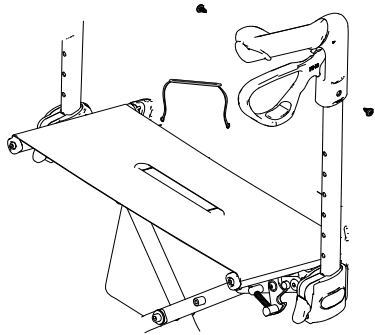
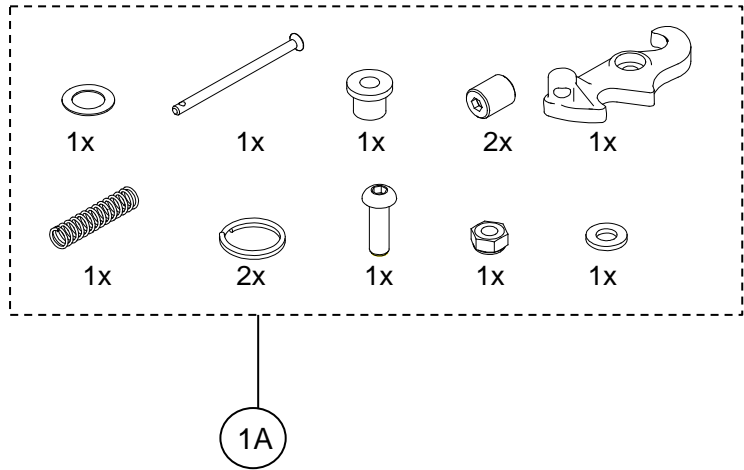
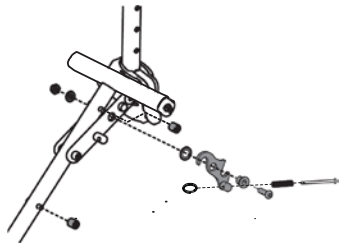
Pos	Ant/Qty	Art.No.	Description	Note
1	1	9009329	SpeedControl Gemino 30 / 30 M/ 30 S / 20 / 20 M 20 S	S
2	2	7109351	Black tires, set RHS+LHS	S
3	1	7109352	Cover with Conpal logo	S

## 09.10 Slow down brake



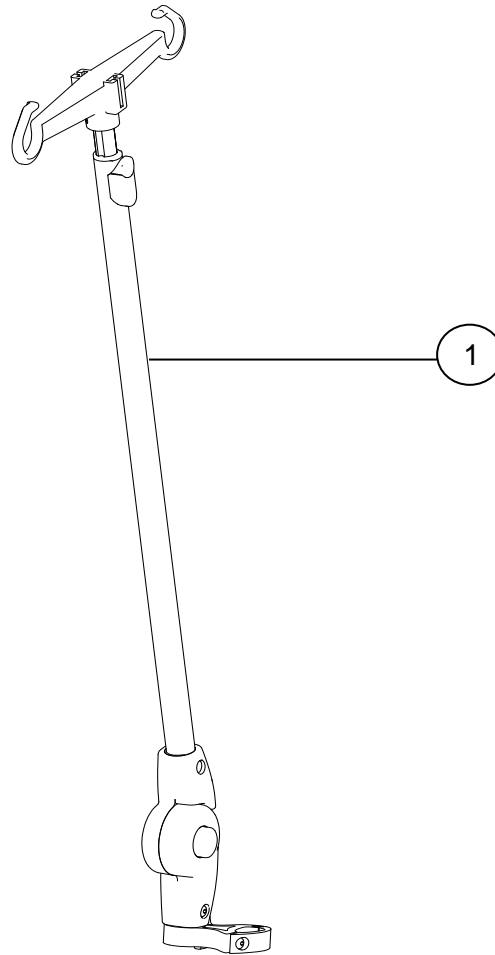
Pos	Ant/Qty	Art.No.	Description	Note
1-2, 5-6	1	7109080	Slow down brake complete, set Gemino 30 / 30 M / 30 S / 30 M	S
3-4, 5-6	1	7169080	Slow down brake complete, set Gemino 60 / 60 M / 30 Comfort / 30 M Comfort	S
2	1	7109250	Rear wheel Black for slow down brake RHS Gemino 30 /30 M /30 S /30 M	S
1	1	7109251	Rear wheel Black for slow down brake LHS Gemino 30 /30 M /30 S /30 M	S
3	1	7167021	Rear wheel Black for slow down brake RHS Gemino 60 / 60 M / 30 Comfort / 30 M Comfort	S
4	1	7167022	Rear wheel Black for slow down brake LHS Gemino 60 / 60 M / 30 Comfort / 30 M Comfort	S
5	1	7109253	Drum brake unit LHS	S
6	1	7109252	Drum brake unit RHS	S

09.11 Service Kit



Pos	Ant/Qty	Art.No.	Description	Note
1A	1	7109801	Service Kit for locking mechanism	S
2A	1	7109802	Service package for seat and push handles Gemino 30	S
2B	1	7109804	Service package for seat and push handles Gemino 30 M	S
2C	1	7109805	Service package for seat and push handles Gemino 30 S	S

09.12 Infusion holder



---

Pos	Ant/Qty	Art.No.	Description	Note
1	1	7109100	Infusionholder	S

---



Pos	Ant/Qty	Art.No.	Description	Note
1	1	7101201	Logo for side frame Gemino 20 /20 M /20 S /20 Walker /20 M Walker	S
2	1	7101202	Logo for side frame Gemino 30 /30 M /30 S /30 M /30 Walker /30 M Walker	S
3	1	7101203	Logo for side frame Gemino 60 / 60 M / 60 Walker / 60 M Walker	S

AU  
Sunrise Medical Pty. Ltd.  
6 Healey Circuit, Huntingwood  
NSW 2148  
Australia  
T: +61 (2) 9678 6600  
E: enquiries@sunrisemedical.com.au  
www.SunriseMedical.com.au

BE  
Sunrise Medical HCM B.V.  
Vossenbeemd 104  
5705 CL Helmond  
The Netherlands  
T: +32 (0)78 150 159  
E: customerservice@sunrisemedical.be  
www.SunriseMedical.be

CA  
Distributed in Canada by:  
Sunrise Medical Canada Inc.  
237 Romina Drive, Unit 3  
Concord, ON  
L4K 4V3, Canada  
T: +1 800 263 3390  
E: mktcanada@sunmed.com  
www.SunriseMedical.ca

CH  
Sunrise Medical AG  
Erlenauweg 17  
CH-3110 Münsingen  
Schweiz/Suisse/Svizzera  
T: +41 (0)31 958 3838  
E: info@sunrisemedical.ch  
www.SunriseMedical.ch

DE / AT  
Sunrise Medical GmbH  
Kahlbachring 2-4  
69254 Malsch/Heidelberg  
Deutschland  
T: +49 (0) 7253/980-0  
E: kundenservice@sunrisemedical.de  
www.SunriseMedical.de

DK  
Sunrise Medical ApS  
Park Allé 289 G  
DK-2605 Brøndby  
T: +45 70 22 43 49  
Email: info@sunrisemedical.dk  
www.SunriseMedical.dk

ES / PT  
Sunrise Medical S.L.  
Polígono Bakiola, 41  
48498 Arrankudiaga – Vizcaya  
España  
T: +34 (0) 902142434  
E: marketing@sunrisemedical.es  
www.SunriseMedical.es

FR  
Sunrise Medical S.A.S  
ZAC de la Vrillonnerie  
17 Rue Mickaël Faraday  
37170 Chambray-Lès-Tours  
T: + 33 (0) 2 47 55 44 00  
E: info@sunrisemedical.fr  
www.SunriseMedical.fr

IT  
Sunrise Medical S.r.l.  
Via Riva, 20 – Montale  
29122 Piacenza  
Italia  
T: +39 0523 573111  
E: info@sunrisemedical.it  
www.SunriseMedical.it



NL  
Sunrise Medical HCM B.V.  
Vossenbeemd 104  
5705 CL Helmond  
The Netherlands  
T: +31 (0)492 593 888  
E: customerservice@sunrisemedical.nl  
www.SunriseMedical.nl  
www.SunriseMedical.eu (International)

NO  
Sunrise Medical AS  
Delitoppen 3  
1540 Vestby  
Norway  
T: +47 66963800  
E: post@sunrisemedical.no  
www.SunriseMedical.no

PL  
Sunrise Medical Poland Sp. z o.o.  
ul. Elektronowa 6,  
94-103 Łódź  
Polska  
T: + 48 42 275 83 38  
E: pl@sunrisemedical.de  
www.Sunrise-Medical.pl

SE  
Sunrise Medical AB  
Box 9232  
400 95 Göteborg  
Sweden  
T: +46 (0)31 748 37 00  
E: post@sunrisemedical.se  
www.SunriseMedical.se

UK  
Sunrise Medical  
Thorns Road  
Brierley Hill  
West Midlands  
DY5 2LD  
United Kingdom  
T: +44 (0) 845 605 66 88  
E: enquiries@sunmed.co.uk  
www.SunriseMedical.co.uk

Dealer / distributor:

Serial number:



PM\_Gemino\_EU\_EN\_Rev.H\_2017\_11\_01

