



# S410 SERIES

Parts Manual

# FAMILLE S410

Manuel de pièces

**S410**

**S410 HP**

Sunrise Medical  
[www.sunrisemedical.ca](http://www.sunrisemedical.ca)

# Table Of Contents

S410 LIGHTS AND INDICATORS .....	3
S410 SHROUDS .....	4
S410 REAR SHROUDS .....	5
S410 TILLER PANELS .....	6
S410 POD MOLDINGS .....	7
S410 FLOOR MATS .....	8
S410 TILLER .....	9
S410 TILLER ACCESSORIES .....	10
S410 CHASSIS .....	11
BUMPERS .....	12
S410 STEERING .....	13
S410 SUSPENSION .....	14
S410 BATTERIES .....	15
S410 CONTROLLER .....	16
BATTERY CHARGER .....	17
S410 DISPLAY .....	18
S410 POTENTIOMETER .....	19
S410 SOCKETS, KEYS AND .....	20
S410 CABLE HARNESSSES .....	21
S410 MOTOR .....	22
S410 MOTOR BRAKE .....	23
S410 SEAT .....	24
S410 SEAT ACCESSORIES .....	25
S410 WHEELS .....	26
S410 COMMON ACCESSORIES .....	27

# Spare Parts Catalogue

## Use of Illustrations & Text:

The illustrations and accompanying text set out in this document are the property of Sunrise Medical Canada Inc. and must not be copied or used for manufacturing, tendering or any other purpose without written consent from Sunrise Medical.

## Ordering:

Item numbers shown as N/A are for reference purposes only and should not be used when ordering replacement parts. Always quote the correct serial number and part number

## Parts Disclaimer:

It is potentially hazardous to fit or use any parts other than genuine Sunrise Medical parts. The company disclaims all liability for the consequences of such use, which in addition voids the product warranty.

This product is for the carriage of one person and must not under any circumstances be used for any other purpose.

## Questions:

Should you have any questions then please contact Sunrise Medical Canada Inc. at:

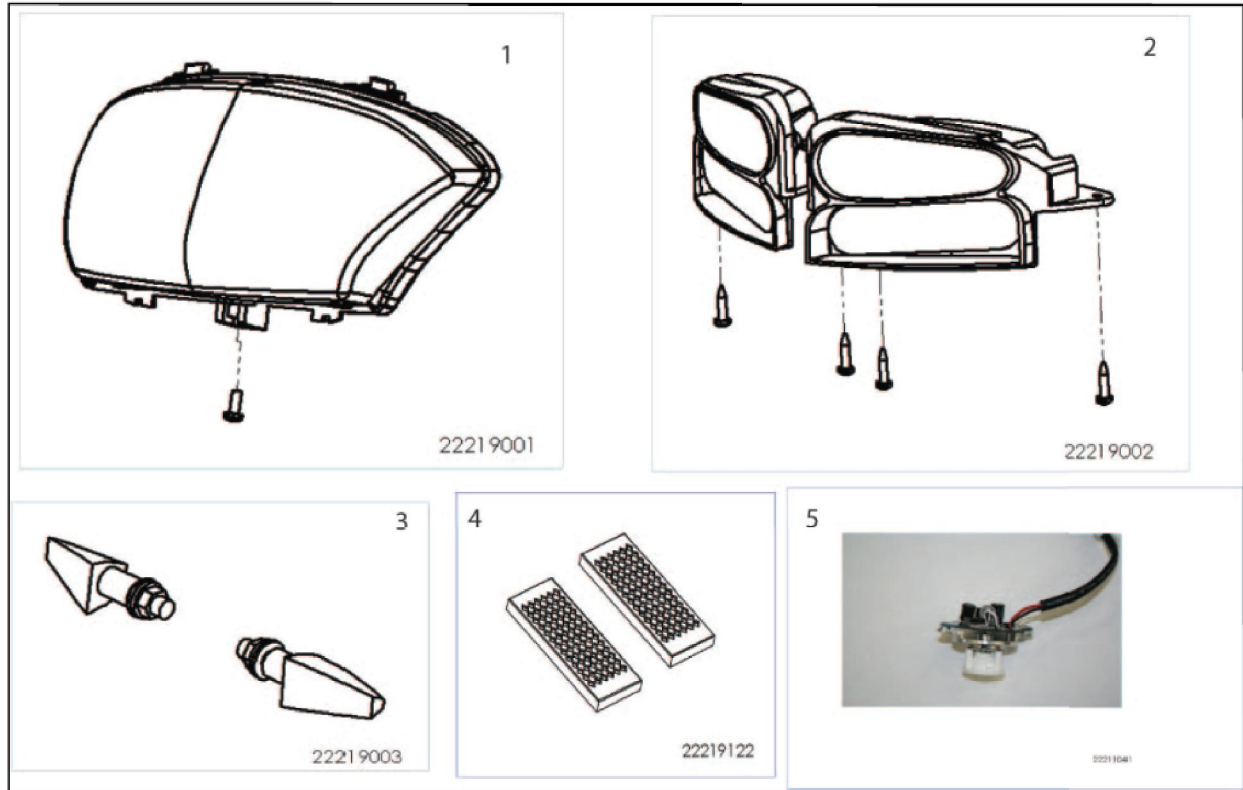
Sunrise Medical  
367 Romina Drive, Unit #3  
Concord, Ontario  
L4K 4V3

Telephone: 1.800.263.3390  
Phone: 905.660.2459  
Fax (Toll-free): 1.800.561.5834  
CS E-mail: [cscanada@sunmed.com](mailto:cscanada@sunmed.com)

Sunrise Medical  
4211 Rue Garand, Saint-Laurent, Montréal, Québec,  
H4R 2B4, Canada

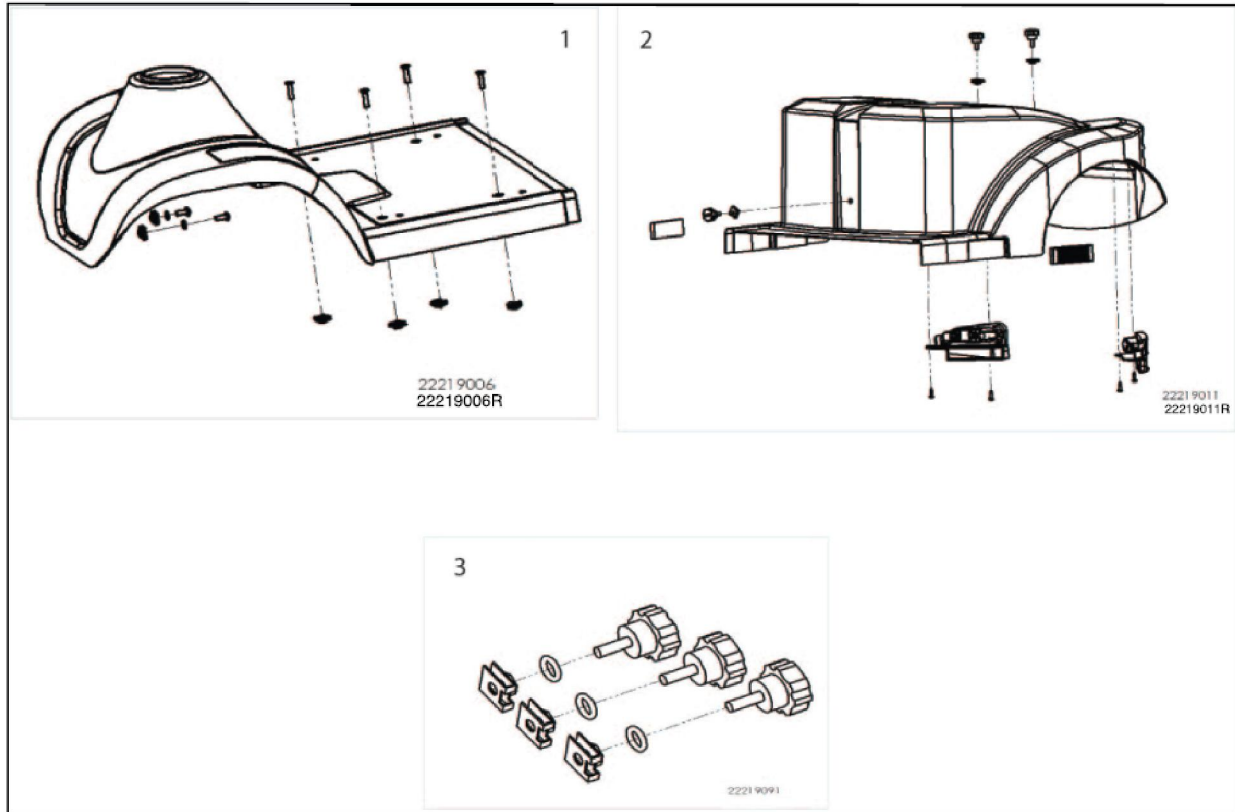
Telephone: 1.888.548.8688  
Phone: 514.367.0727  
Fax (Toll-free): 1.888.909.5090  
Fax: 514.367.3981  
Quebec CS E-mail: [csquebec@sunmed.com](mailto:csquebec@sunmed.com)

## S410 LIGHTS AND INDICATORS



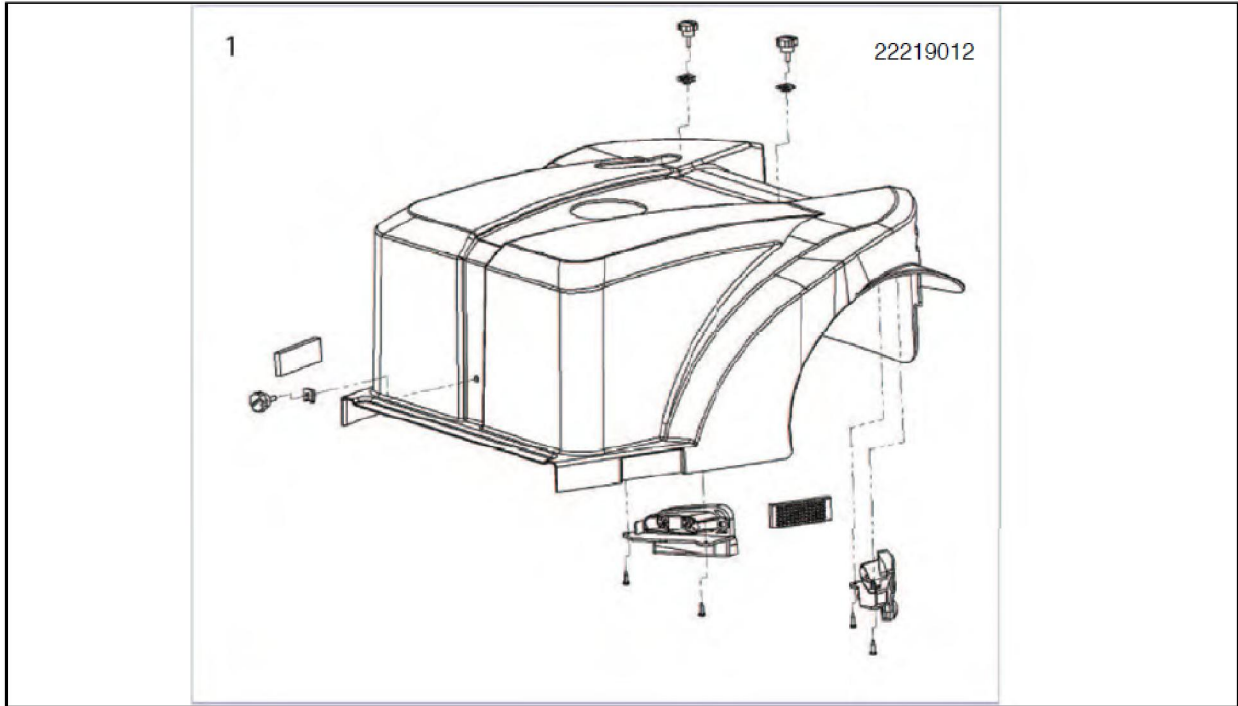
Pos	Item number	Description	Unit of Measure
1	22219001	Head Light plus Fittings	Each
2	22219002	Rear Lights Plus Fittings	Each
3	22219003	Front Indicators Plus Fittings	Each
4	22219122	Reflectors – Orange	Each
5	22211041	LED Bulb and Holder Including Loom	Each

## S410 SHROUDS



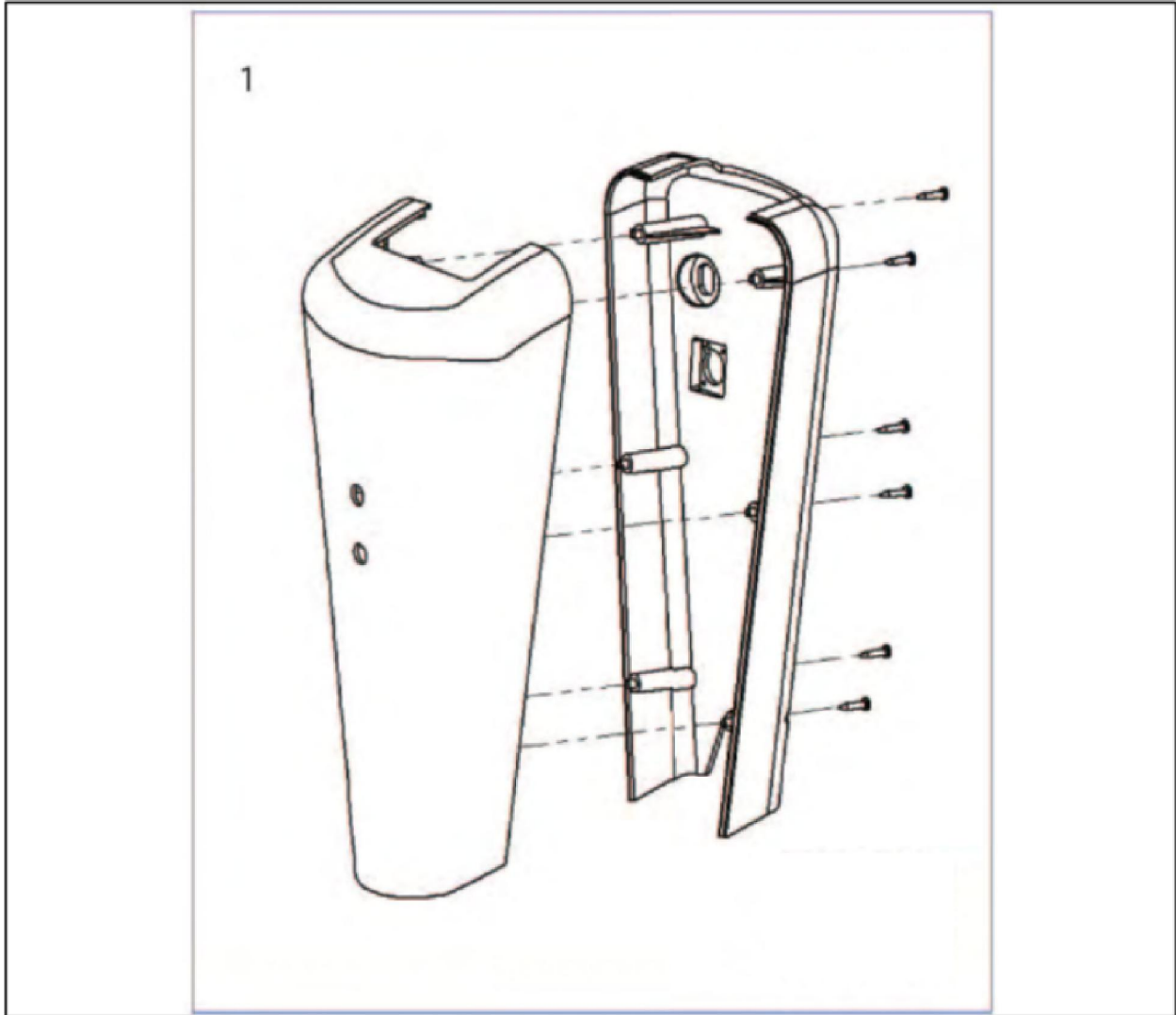
Pos	Item number	Description	Unit of Measure
1	10133539	Front Shroud Plus Fittings, Foot Decals, Decals. Red QD	Each
2	10133540	Front Shroud Plus Fittings, Foot Decals, Decals. Blue QD	Each
3	10133552	Rear Shroud Plus Lights, Side Reflectors Plus Fittings Plus Decals, Red QD	Each
4	10133554	Rear Shroud Plus Lights, Side Reflectors Plus Fittings Plus Decals, Blue QD	Each
5	22219091	Rear Shroud Fittings Knob Kit	Each

## S410 REAR SHROUDS



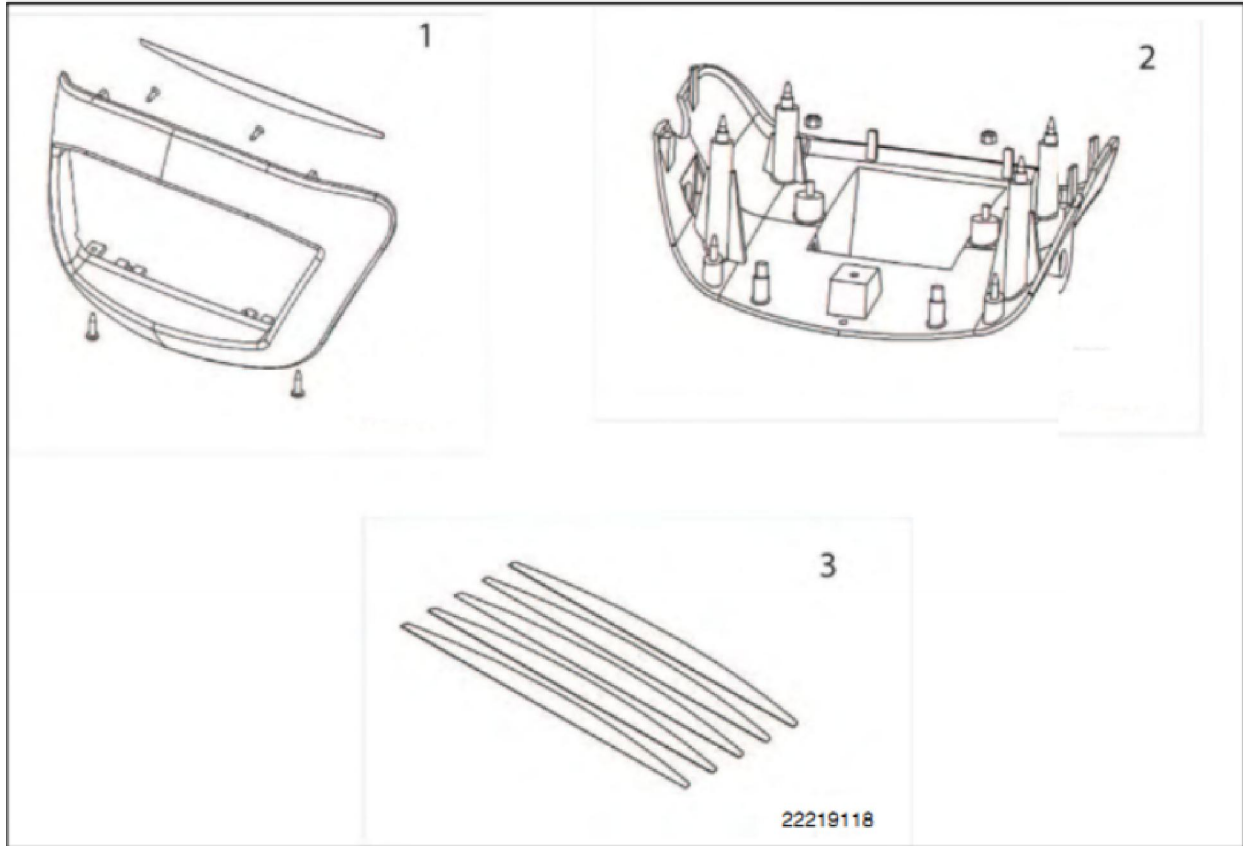
Pos	Item number	Description	Unit of Measure
1	10133552	Rear Shroud Plus Lights, Side Reflectors Plus Hardware Plus Decals Red QD	Each
2	10133554	Rear Shroud Plus Lights, Side Reflectors Plus Hardware Plus Decals Blue QD	Each
See p 3.	22219091	Rear Shroud Hardware Knob Kit	Each

## S410 TILLER PANELS



Pos	Item number	Description	Unit of Measure
1	22219017R	Tiller Shrouds Complete and Hardware Red QD	Each
2	22219017B	Tiller Shrouds Complete and Hardware Blue QD	Each

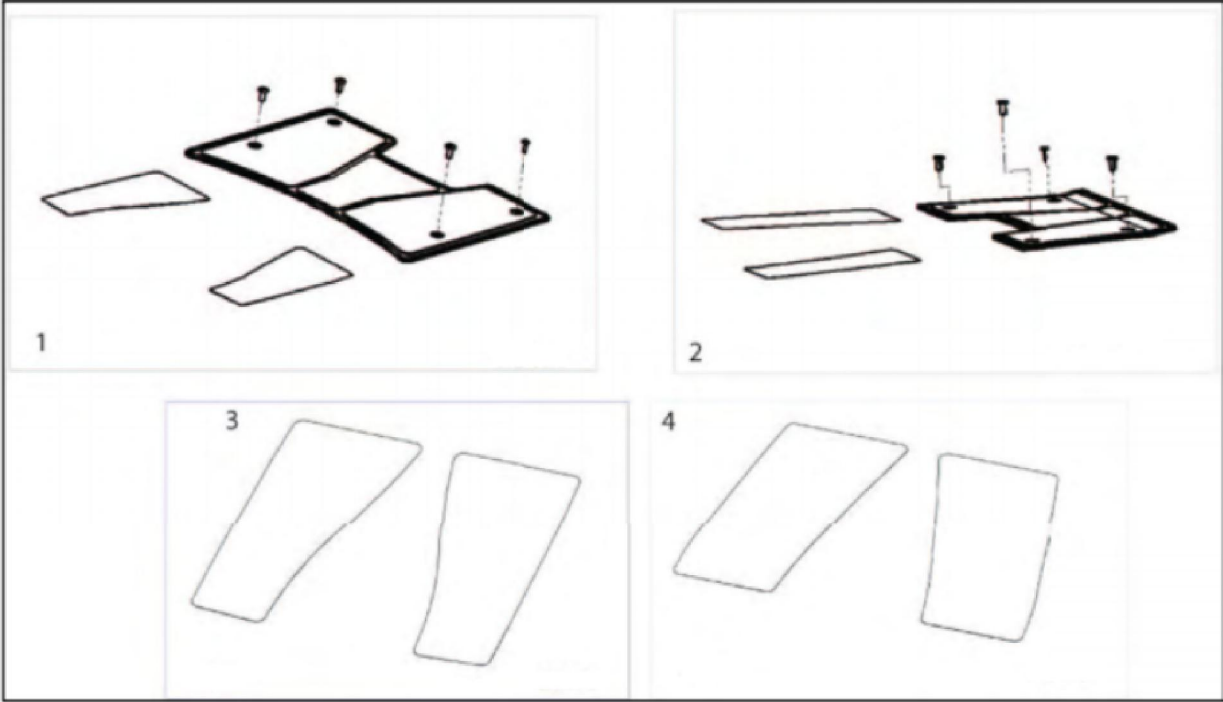
## S410 POD MOLDINGS



Pos	Item number	Description	Unit of Measure
1	22219121R	Headlight Shroud and Hardware Red QD (S410)	Each
2	22219121B	Headlight Shroud and Hardware Blue QD (S410)	Each
3.	22219125R	Lower Pod and Hardware Red QD (S410)	Each
4	22219125B	Lower Pod and Hardware Blue QD (S410)	Each
5	22219118	Decal Strip	Each

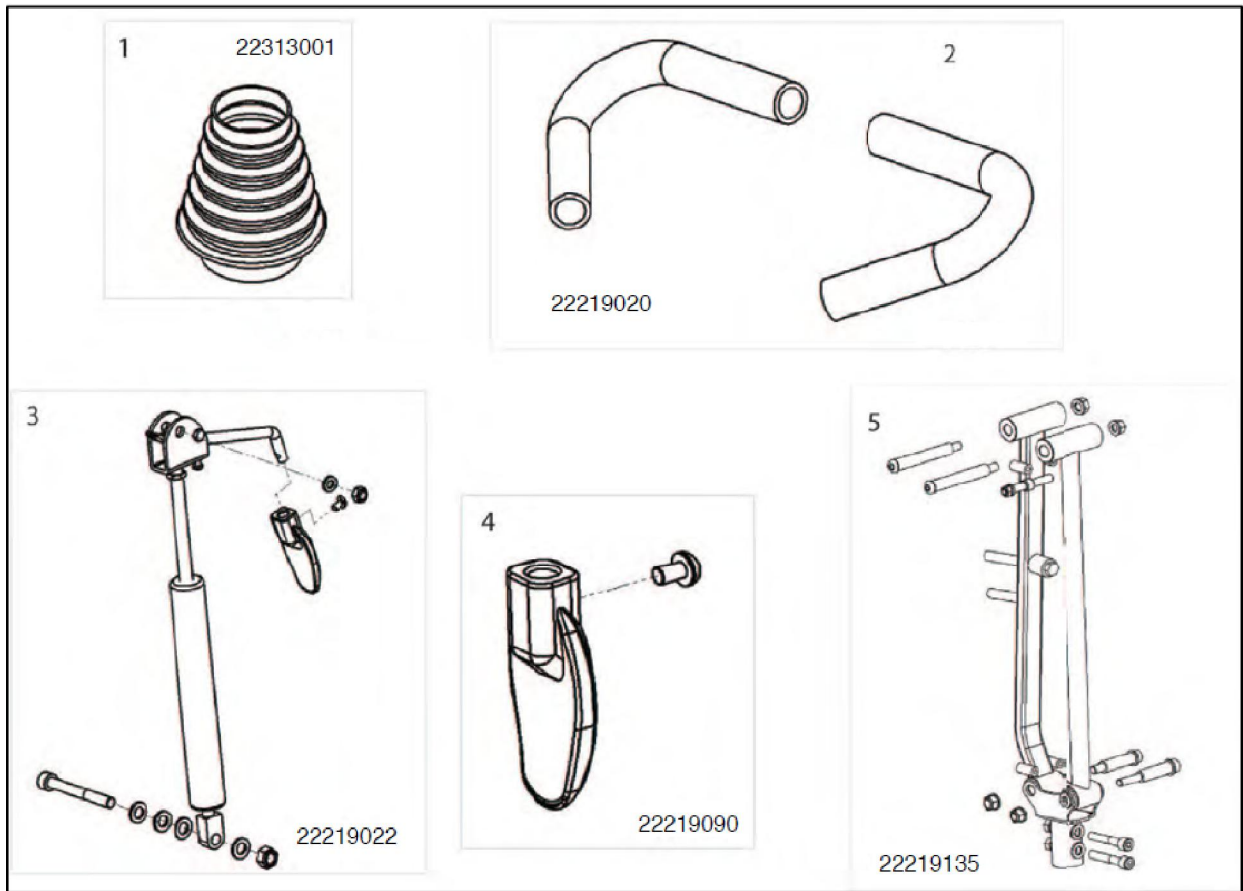


**S410 FLOOR MATS**



Pos	Item number	Description	Unit of Measure
1	10133555	Floor Mat plus Hardware S410	Each
2	22219116	Foot Mat S410	Each

## S410 TILLER



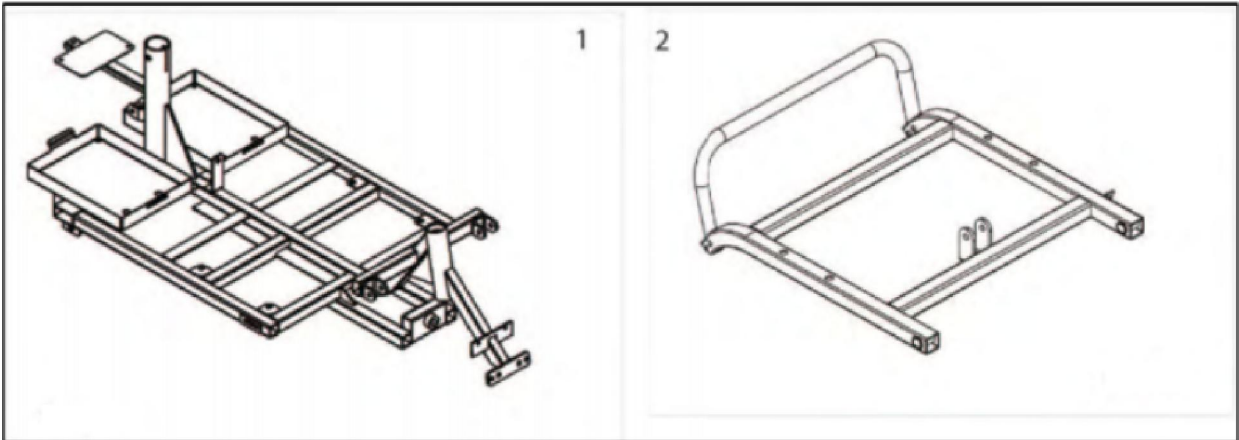
Pos	Item number	Description	Unit of Measure
1	22313001	Bellows	Each
2	22219020	Hand Grip Pair	Each
3.	22219022	Tiller Gas Strut Complete with Hardware and Lever	Each
4	22219090	Tiller Gas Strut Release Handle	Each
5	22219135	Tiller Assembly Including Fasteners	Each

## S410 TILLER ACCESSORIES



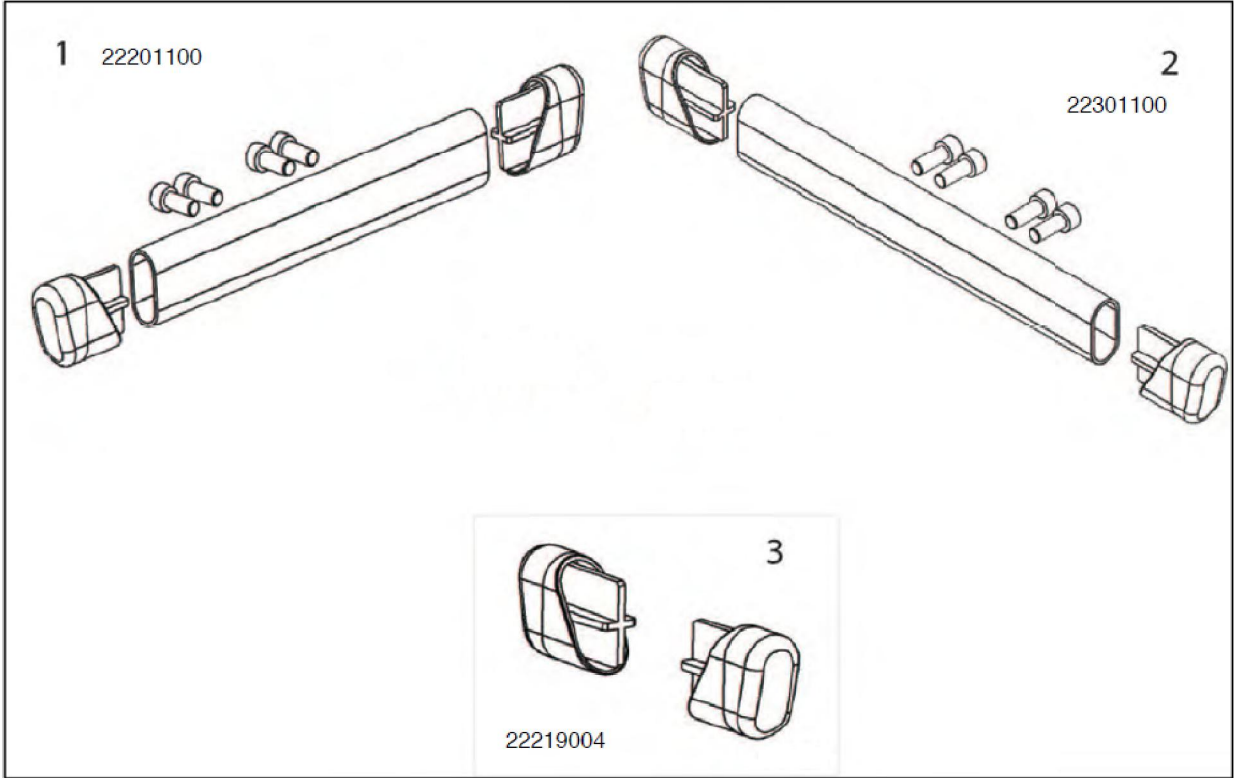
Pos	Item number	Description	Unit of Measure
1	22219025	Mirrors (Pair)	Each
2	N14751001	Basket Front Deluxe Large	Each
3.	1100008661	Bracket Basket Support	Each

**S410 CHASSIS**



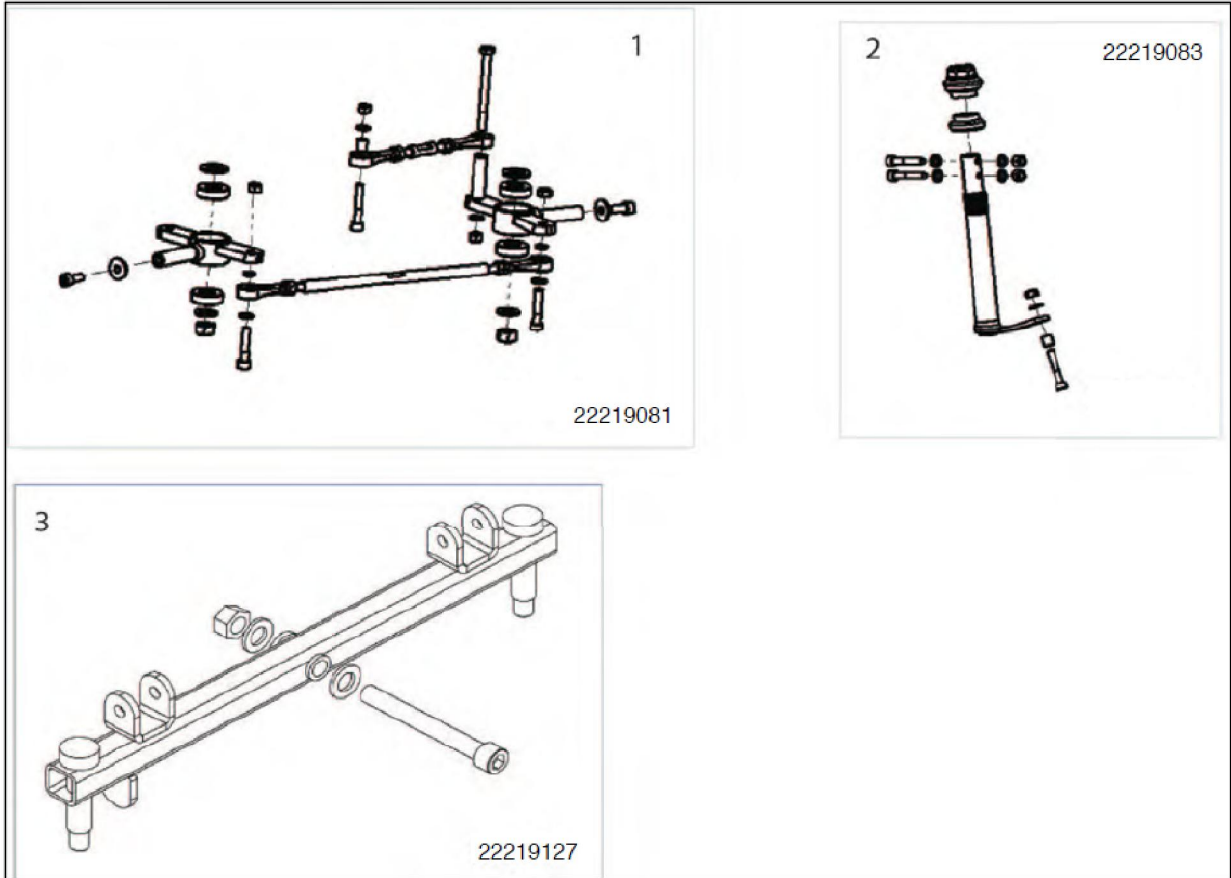
Pos	Item number	Description	Unit of Measure
1	10133556	Front Chassis S410	Each
2	10133557	Rear Chassis S410	Each

**BUMPERS**



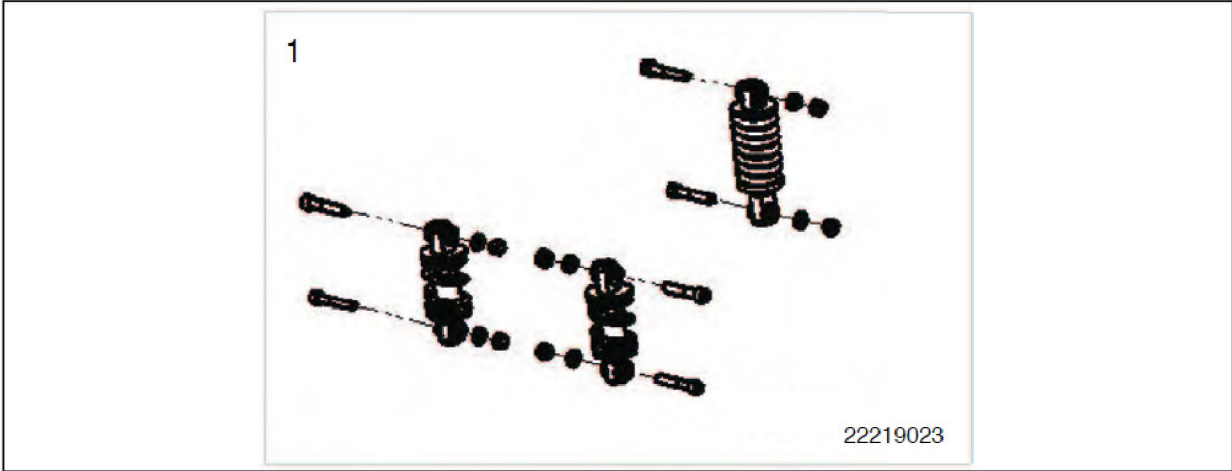
Pos	Item number	Description	Unit of Measure
1	10133558	Front Bumper S410	Each
2	22219004	Front Bumper Caps	Each

## S410 STEERING



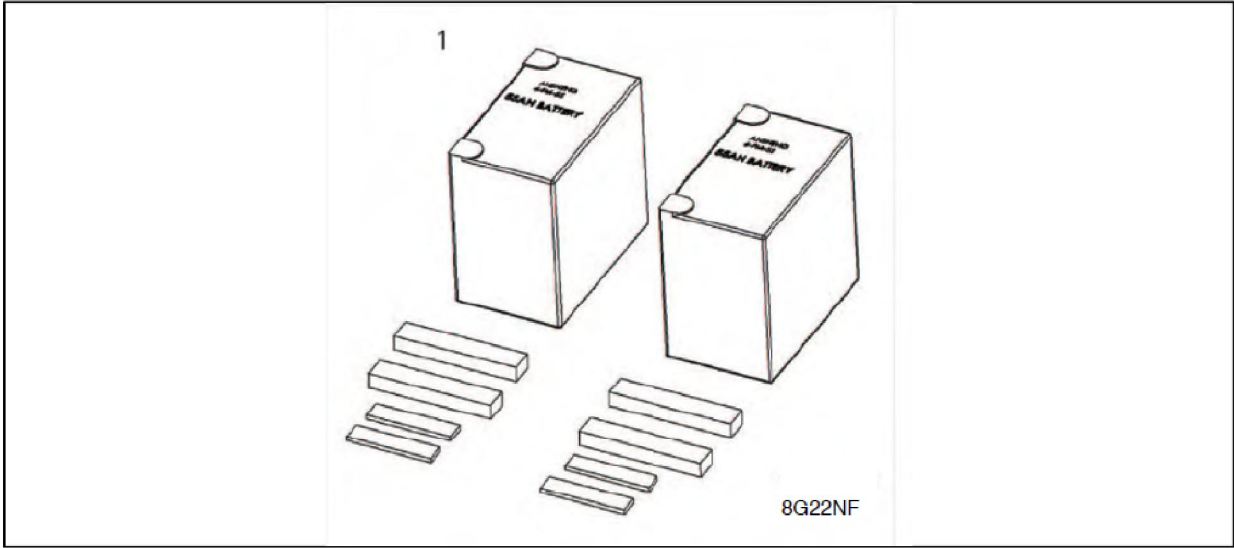
Pos	Item number	Description	Unit of Measure
1	22219081	Steering Linkage Assembly Complete Plus Bearings S410	Each
2	22219083	Steering Lever Arm Assembly Complete Plus Bearings S410	Each
3	22219127	Steering Bar Assembly S410	

**S410 SUSPENSION**



Pos	Item number	Description	Unit of Measure
1	22219023	Front & Rear Shock Plus Hardware S410	Each

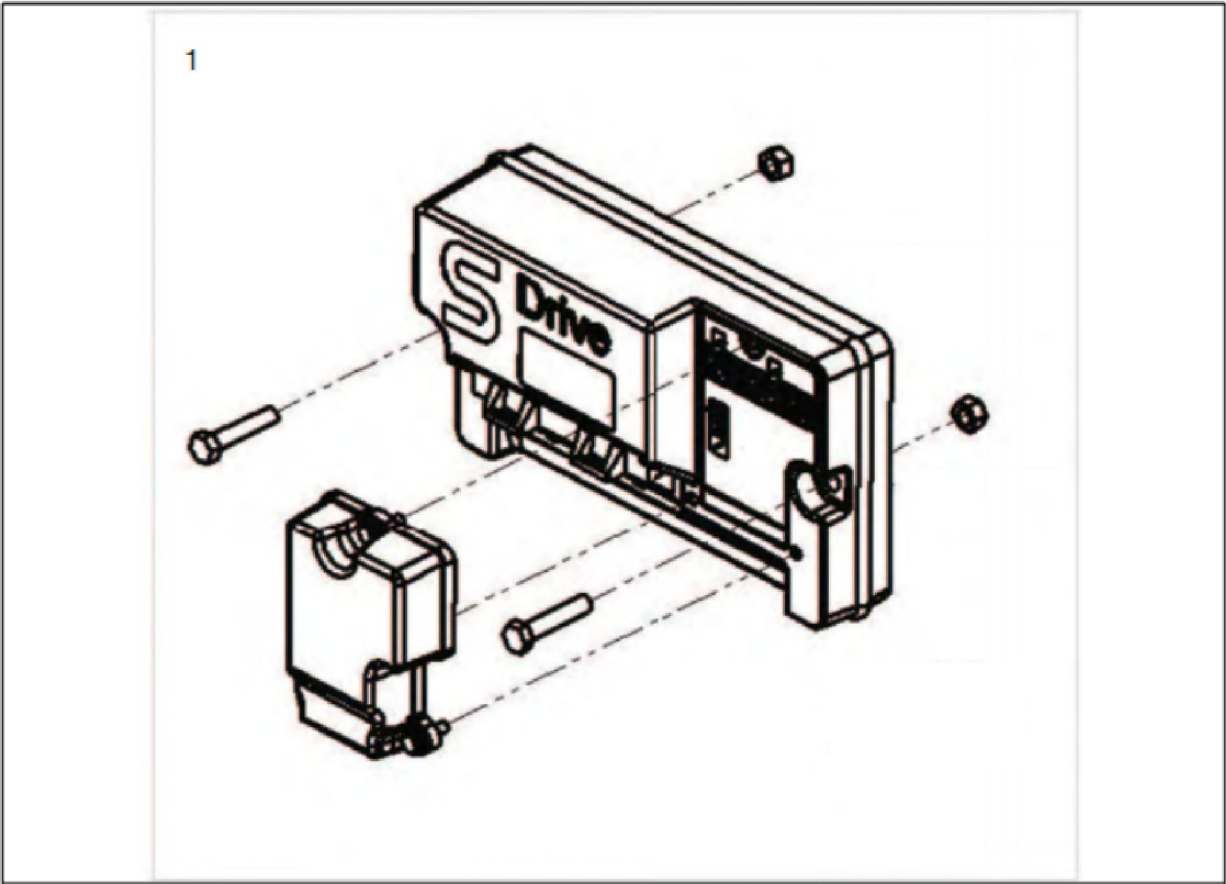
**S410 BATTERIES**



Pos	Item number	Description	Unit of Measure
1	BW-12550	Battery GR22NF 50Ah	Order 2



**S410 CONTROLLER**



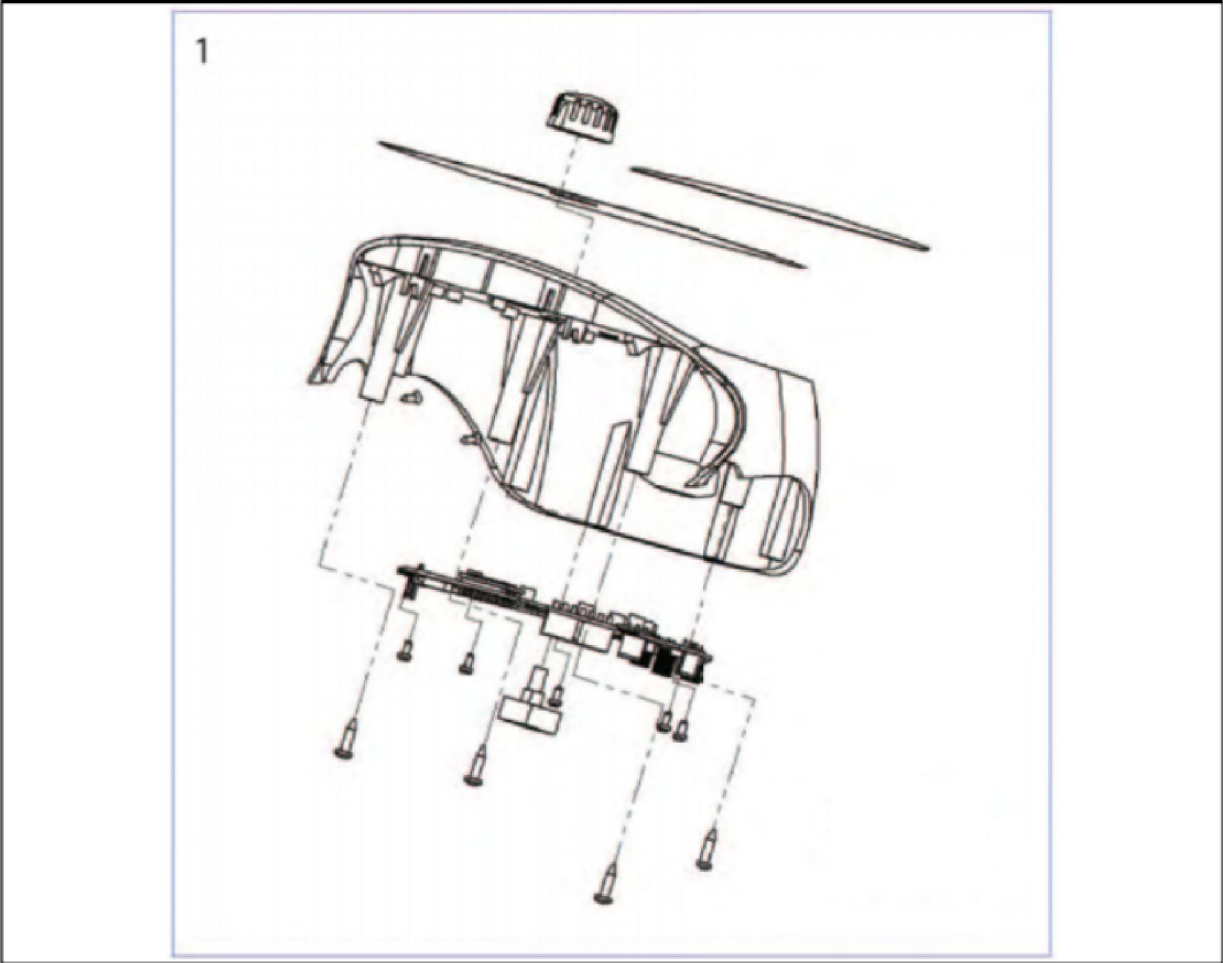
Pos	Item number	Description	Unit of Measure
1	10133561	Controller 90 Amp Plus Hardware and Cover S410 Std	Each
2	10133559	Controller 120 Amp Plus Hardware and Cover S410 HP	Each

## BATTERY CHARGER



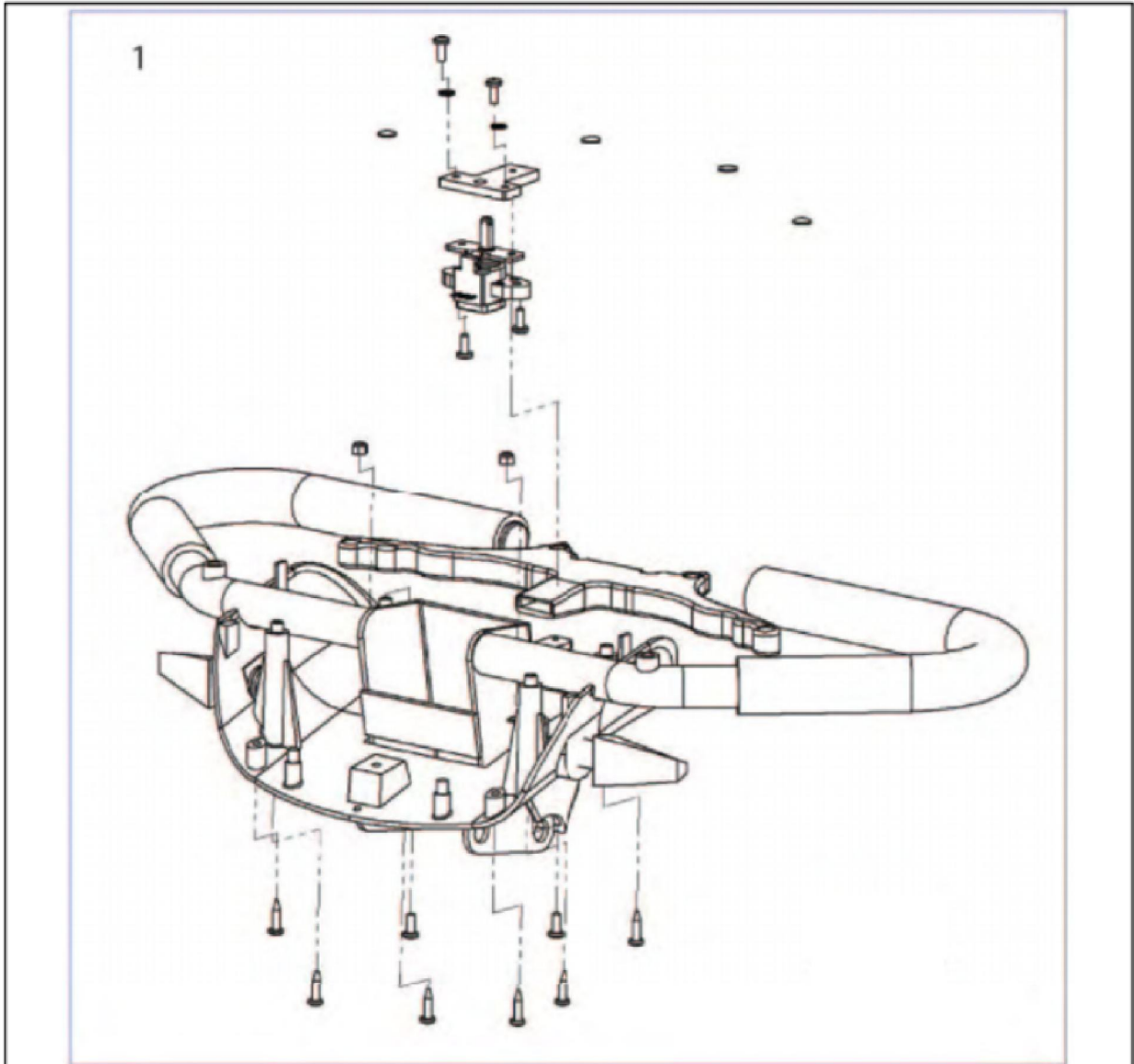
Pos	Item number	Description	Unit of Measure
1	22219137	Charger 8 Amp S410	Each
2	22219145	CAN Plug NEMA 3 Prong	Each

**S410 DISPLAY**



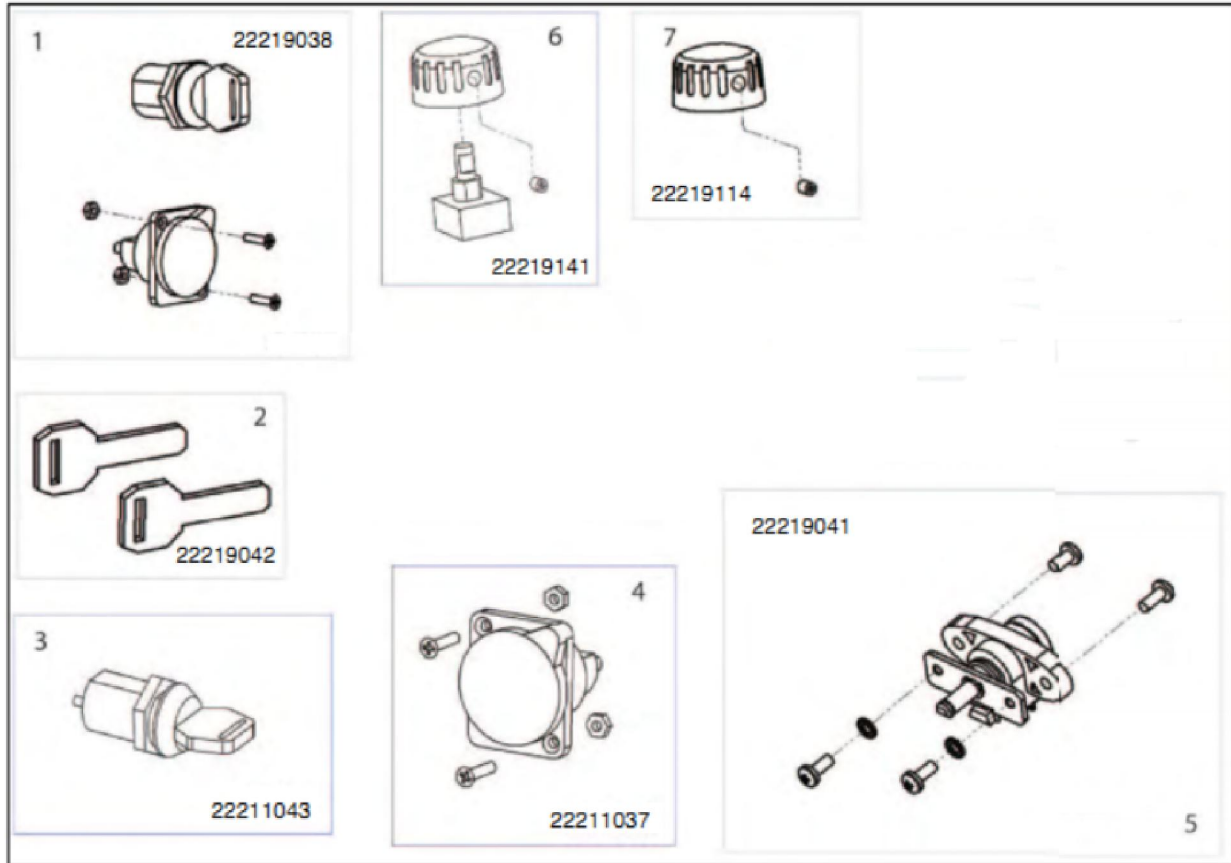
Pos	Item number	Description	Unit of Measure
1	22219033R	Display PCB Complete With Molding, Decals, Speed Pot and Hardware Red QD S410	Each
2	22219033B	Display PCB Complete With Molding, Decals, Speed Pot and Hardware Blue QD S410	Each

## S410 POTENTIOMETER



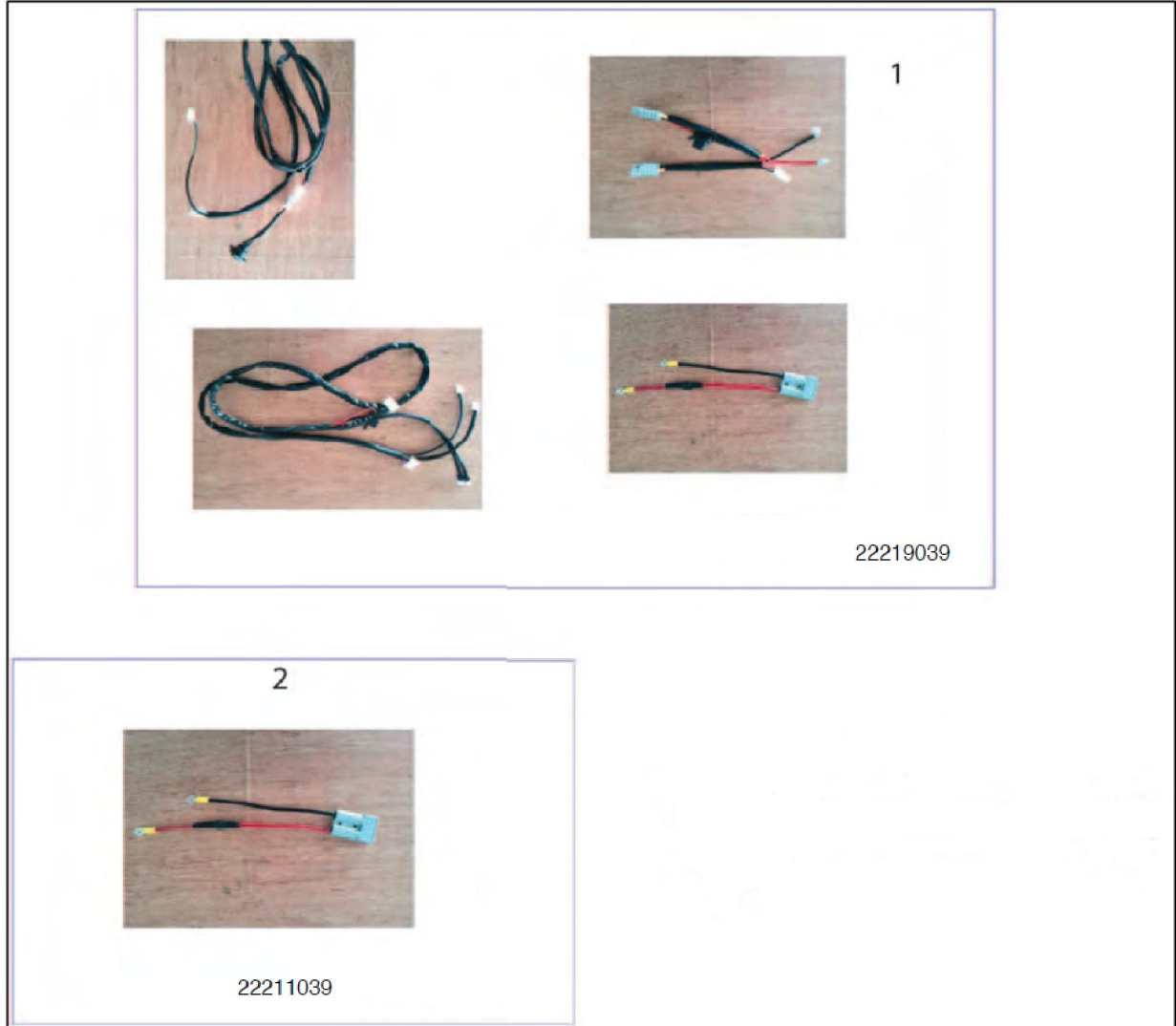
Pos	Item number	Description	Unit of Measure
1	22219035R	Potentiometer Complete with Molding, Wigwag Indicators and Hardware Red QD S410	Each
2	22219035B	Potentiometer Complete with Molding, Wigwag Indicators and Hardware Blue QD S410	Each

## S410 SOCKETS, KEYS AND POTENTIOMETER



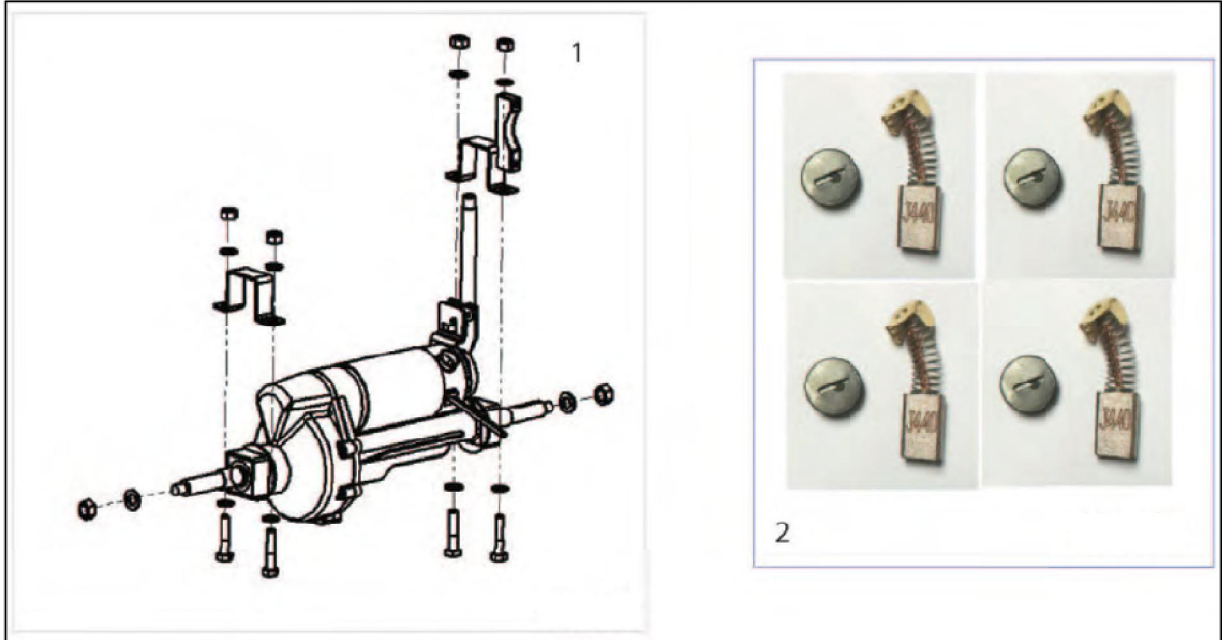
Pos	Item number	Description	Unit of Measure
1	22219038	Charge Socket and Loom Plus Key Switch and Loom	Each
2	22219042	Keys x 2	Each
3.	22211043	Key Switch Plus 2 x Keys Including Loom	Each
4	22211037	Charger Socket Plus Hardware Including Loom	Each
5	22219041	Potentiometer Plus Hardware Including Loom	Each
6	22219141	Speed Potentiometer Kit Including Loom	
7	22219114	Speed Potentiometer Knob Kit	

## S410 CABLE HARNESSSES



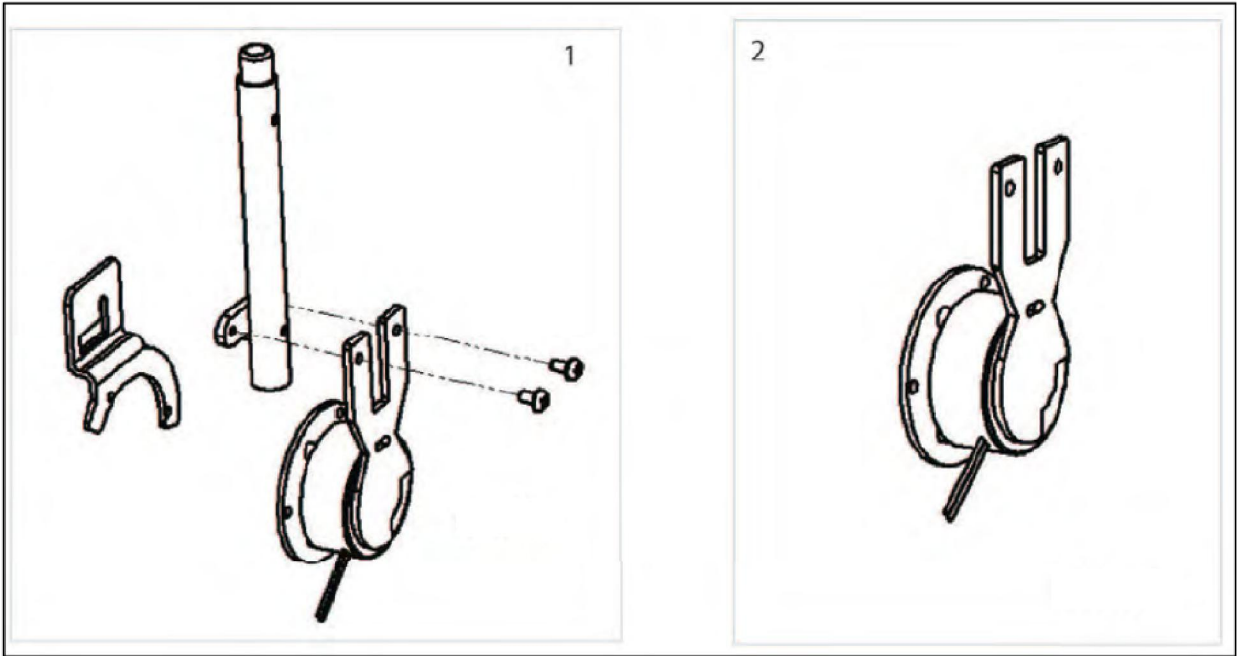
Pos	Item number	Description	Unit of Measure
1	22219039	Harness Kit Complete to Include All harnesses	Each
2	22211039	Battery harness	Each

## S410 MOTOR



Pos	Item number	Description	Unit of Measure
1	10133563	10 KPH Transaxle Complete With Brake Release Assembly, Transaxle Brackets and Hardware S410 HP	Each
2	10133562	10 KPH Transaxle Complete w/S90 conn, Brake Release Assembly, Transaxle Brackets and Hardware S410 STD	Each
3	22219129	Brushes Plus Caps S410	Each

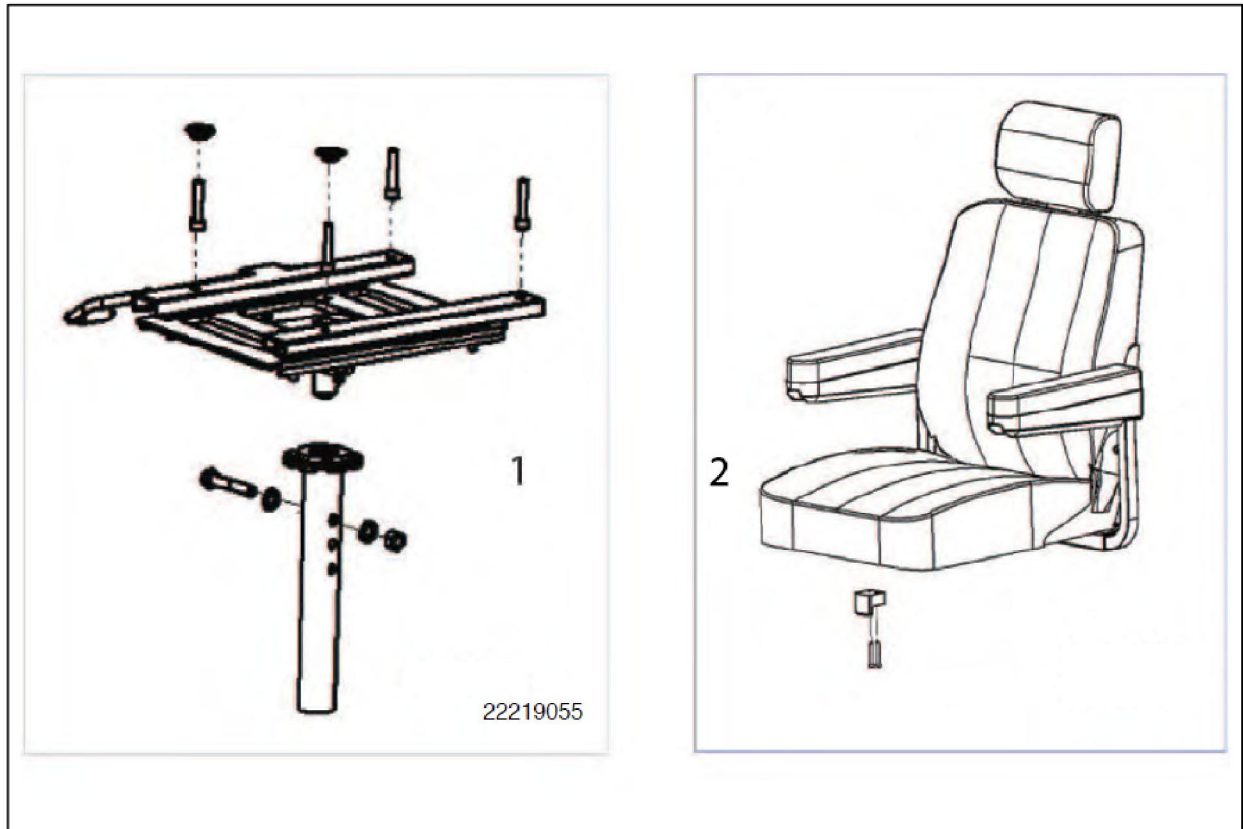
**S410 MOTOR BRAKE**



Pos	Item number	Description	Unit of Measure
1	22219050	Brake Release Complete S410	Each
2	22219087	S410 Only 6Nm	Each
3	22210015	Brake Cover S410	Each

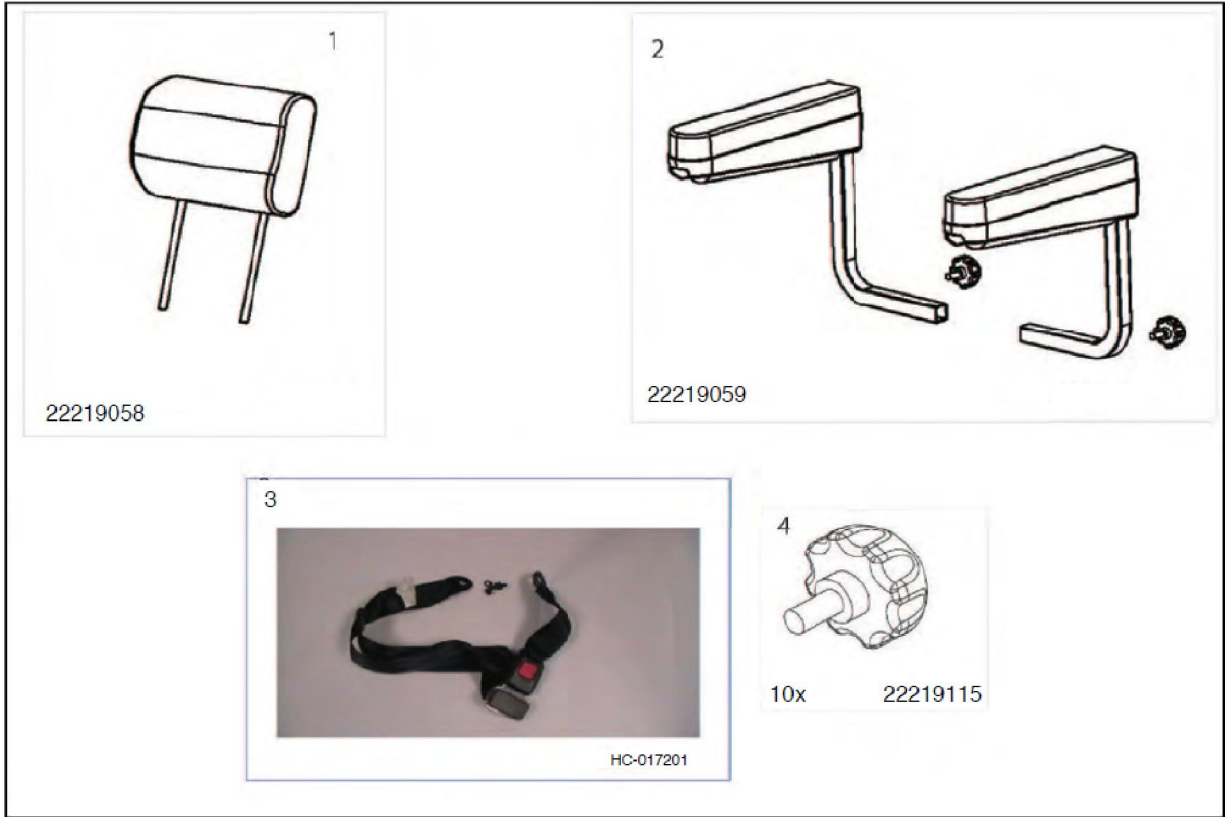


## S410 SEAT



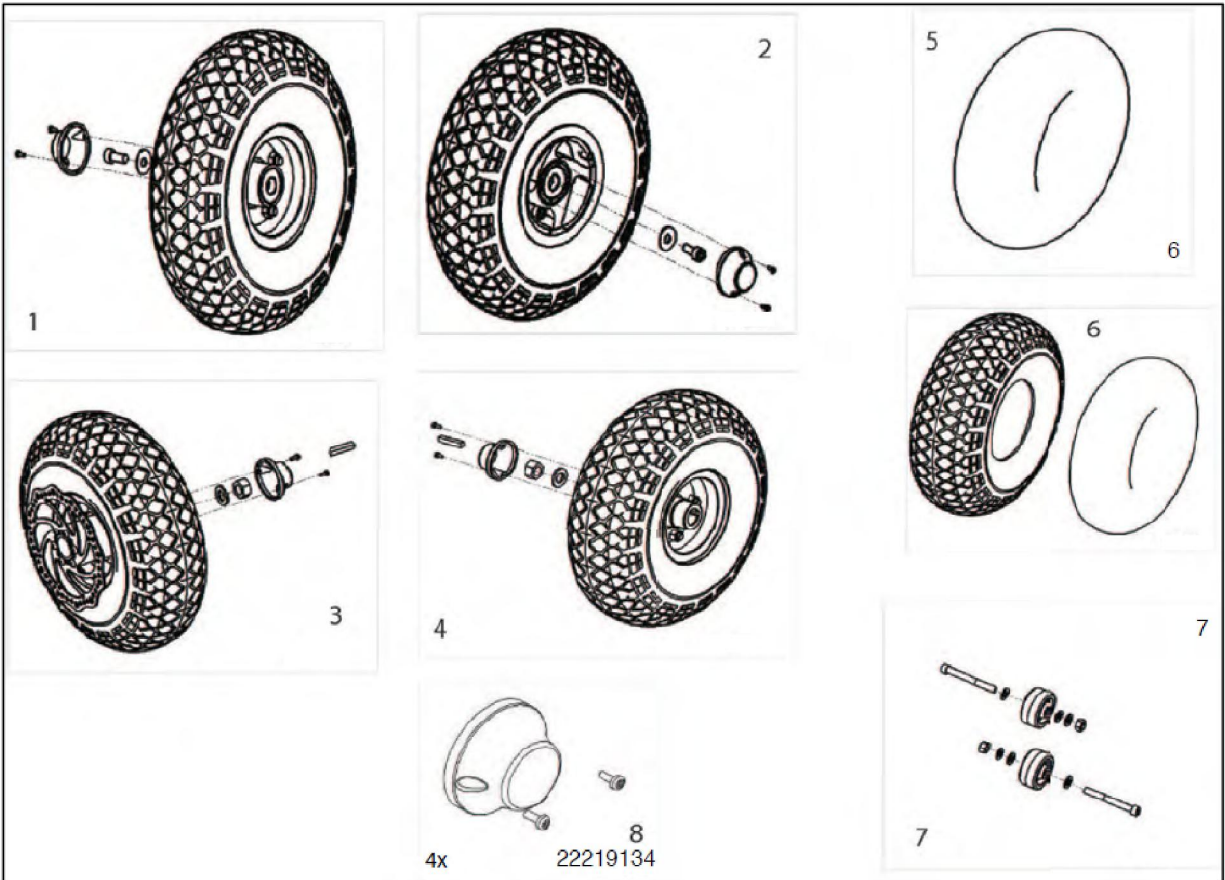
Pos	Item number	Description	Unit of Measure
1	22219055	Seat Plate Complete With Seat Post and Hardware	Each
2	10133565	Seat Assembly 19 in to Include Stop and Hardware S410 Std	Each
3	10133564	Seat Assembly Large S700 style w/ Hardware	Each

## S410 SEAT ACCESSORIES



Pos	Item number	Description	Unit of Measure
1	22219058	Headrest	Each
2	22219059	Seat Armrest RH LH Plus Hardware	Each
3	HC-017201	Seat Belt-Auto Style Large	Each
4	22219115	Armrest and Accessory Adjustment Knob	

## S410 WHEELS



Pos	Item number	Description	Unit of Measure
1	22219061	10 in (25 cm) Front Wheel Assembly RH Complete with Hardware and Cap (Pneumatic)	Each
2	22219062	10 in (25 cm) Front Wheel Assembly LH Complete with Hardware and Cap (Pneumatic)	Each
3.	10133566	10 in (25 cm) Rear Wheel Assembly RH Complete with Hardware and Cap (Pneumatic)	Each
4	22219068	10 in (25 cm) Rear Wheel Assembly LH Complete with Hardware and Cap (Pneumatic)	Each
5	22208017	10 in (25 cm) Inner Tube	Each
6	22219066	10 in (25 cm) Tire Plus Inner Tube	Each
7	22219077	Anti Tip Wheels Pair Plus Hardware	Each
8	22219134	Hub Caps and Hardware	Set of 4
N/S	22219107	Solid Tire Kit 10" (4 pcs, Including Wheel Hubs)	4/pkg

## S410 COMMON ACCESSORIES



Pos	Item number	Description	Unit of Measure
1	22219095	Crutch/Walking Stick Holder (Rear Bumper Mount)	Each
2	22219094	Crutch/Walking Stick Holder (Rear Seat Mount)	Each
3.	22219093	O2 Tank Holder (Seat Back Mount)	Each
4	22219096	Wheelchair/Walker Holder (Seat Mount)	Each
5	SP-000 228 229	Safety Flag	Each
6	22219098	Storage Cover	Each