



WHITMYER®

PLUSH & Specialty PLUSH Head Positioning

WHITMYER®

September 2019

Mark For: _____

Submitting for: Quote Order

Date: _____

PO#: _____

Dealer Acct #: _____

Dealer: _____

Dealer Contact: _____

Dealer Address: _____

Dealer City: _____ PC: _____ PV: _____

Dealer Phone: () _____ Fax: () _____

Confirmation E-mail: _____

Confirm Via: Fax E-mail

ADDITIONAL SHIPPING INFORMATION

Ship To: _____

Attention: _____

Address: _____

Address: _____

Ship To City: _____ PV: _____ PC: _____

Ship To Phone: () _____ Fax: () _____

Note: For cover selection, **L** = Lycra and **V** = Dartex Reversed (Example: AXYS-HUFAL L or AXYS-HUFAL V)

Head Positioning

Whitmyer headrests come unassembled. Please add item WHITASSY001 if the dealer would like parts assembled. This is a no charge option.

	<input type="checkbox"/> Receiver must be selected on pg 2		<input type="checkbox"/> Receiver must be selected on pg 2		<input type="checkbox"/> Receiver must be selected on pg 2		<input type="checkbox"/> Receiver must be selected on pg 2
PAD		AXYS	ONYX	LINX		LINX²	

PLUSH	*Utilizes neoprene foam for a thinner pad	19"
		14"
		10"
		8"
		6"
		6"*
		5"*

<input type="checkbox"/>	AXYS-P4L	\$370.00	<input type="checkbox"/>	ONYX-P4L	\$370.00	<input type="checkbox"/>	LINX-P4L	\$410.00	<input type="checkbox"/>	LINX2-P4L	\$480.00
<input type="checkbox"/>	AXYS-P4V	\$370.00	<input type="checkbox"/>	ONYX-P4V	\$370.00	<input type="checkbox"/>	LINX-P4V	\$410.00	<input type="checkbox"/>	LINX2-P4V	\$480.00
<input type="checkbox"/>	AXYS-P2L	\$280.00	<input type="checkbox"/>	ONYX-P2L	\$280.00	<input type="checkbox"/>	LINX-P2L	\$280.00	<input type="checkbox"/>	LINX2-P2L	\$320.00
<input type="checkbox"/>	AXYS-P2V	\$280.00	<input type="checkbox"/>	ONYX-P2V	\$280.00	<input type="checkbox"/>	LINX-P2V	\$280.00	<input type="checkbox"/>	LINX2-P2V	\$320.00
<input type="checkbox"/>	AXYS-P1L	\$265.00	<input type="checkbox"/>	ONYX-P1L	\$265.00	<input type="checkbox"/>	LINX-P1L	\$265.00	<input type="checkbox"/>	LINX2-P1L	\$310.00
<input type="checkbox"/>	AXYS-P1V	\$265.00	<input type="checkbox"/>	ONYX-P1V	\$265.00	<input type="checkbox"/>	LINX-P1V	\$265.00	<input type="checkbox"/>	LINX2-P1V	\$310.00
<input type="checkbox"/>	AXYS-P3L	\$265.00	<input type="checkbox"/>	ONYX-P3L	\$265.00	<input type="checkbox"/>	LINX-P3L	\$265.00	<input type="checkbox"/>	LINX2-P3L	\$310.00
<input type="checkbox"/>	AXYS-P3V	\$265.00	<input type="checkbox"/>	ONYX-P3V	\$265.00	<input type="checkbox"/>	LINX-P3V	\$265.00	<input type="checkbox"/>	LINX2-P3V	\$310.00
<input type="checkbox"/>	AXYS-P8L	\$265.00	<input type="checkbox"/>	ONYX-P8L	\$265.00	<input type="checkbox"/>	LINX-P8L	\$265.00	<input type="checkbox"/>	LINX2-P8L	\$310.00
<input type="checkbox"/>	AXYS-P8V	\$265.00	<input type="checkbox"/>	ONYX-P8V	\$265.00	<input type="checkbox"/>	LINX-P8V	\$265.00	<input type="checkbox"/>	LINX2-P8V	\$310.00
<input type="checkbox"/>	AXYS-P6L	\$215.00	<input type="checkbox"/>	ONYX-P6L	\$215.00	<input type="checkbox"/>	LINX-P6L	\$185.00	<input type="checkbox"/>	LINX2-P6L	\$230.00
<input type="checkbox"/>	AXYS-P6V	\$215.00	<input type="checkbox"/>	ONYX-P6V	\$215.00	<input type="checkbox"/>	LINX-P6V	\$185.00	<input type="checkbox"/>	LINX2-P6V	\$230.00
<input type="checkbox"/>	AXYS-P5L	\$215.00	<input type="checkbox"/>	ONYX-P5L	\$215.00	<input type="checkbox"/>	LINX-P5L	\$185.00	<input type="checkbox"/>	LINX2-P5L	\$230.00
<input type="checkbox"/>	AXYS-P5V	\$215.00	<input type="checkbox"/>	ONYX-P5V	\$215.00	<input type="checkbox"/>	LINX-P5V	\$185.00	<input type="checkbox"/>	LINX2-P5V	\$230.00

ADJUST -A- PLUSH	Large (Std)
	Medium
	Small (Narrow)

<input type="checkbox"/>	AXYS-AP2L	\$410.00	<input type="checkbox"/>	ONYX-AP2L	\$410.00	<input type="checkbox"/>	LINX-AP2L	\$410.00	<input type="checkbox"/>	LINX2-AP2L	\$475.00
<input type="checkbox"/>	AXYS-AP2V	\$410.00	<input type="checkbox"/>	ONYX-AP2V	\$410.00	<input type="checkbox"/>	LINX-AP2V	\$410.00	<input type="checkbox"/>	LINX2-AP2V	\$475.00
<input type="checkbox"/>	AXYS-AP3L	\$410.00	<input type="checkbox"/>	ONYX-AP3L	\$410.00	<input type="checkbox"/>	LINX-AP3L	\$410.00	<input type="checkbox"/>	LINX2-AP3L	\$475.00
<input type="checkbox"/>	AXYS-AP3V	\$410.00	<input type="checkbox"/>	ONYX-AP3V	\$410.00	<input type="checkbox"/>	LINX-AP3V	\$410.00	<input type="checkbox"/>	LINX2-AP3V	\$475.00
<input type="checkbox"/>	AXYS-AP1L	\$410.00	<input type="checkbox"/>	ONYX-AP1L	\$410.00	<input type="checkbox"/>	LINX-AP1L	\$410.00	<input type="checkbox"/>	LINX2-AP1L	\$475.00
<input type="checkbox"/>	AXYS-AP1V	\$410.00	<input type="checkbox"/>	ONYX-AP1V	\$410.00	<input type="checkbox"/>	LINX-AP1V	\$410.00	<input type="checkbox"/>	LINX2-AP1V	\$475.00

DUAL MOUNT ADJUST -A- PLUSH	19"	ADJUST -A- PLUSH
	Large	
	Medium	
	Small	



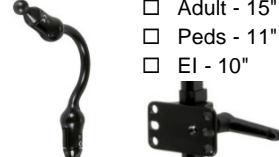
<input type="checkbox"/>	AXYS-P44L	\$660.00	<input type="checkbox"/>	ONYX-P44L	\$660.00	<input type="checkbox"/>	LINX-P44L	\$700.00	<input type="checkbox"/>	LINX2-P44L	\$735.00
<input type="checkbox"/>	AXYS-P44V	\$660.00	<input type="checkbox"/>	ONYX-P44V	\$660.00	<input type="checkbox"/>	LINX-P44V	\$700.00	<input type="checkbox"/>	LINX2-P44V	\$735.00
<input type="checkbox"/>	AXYS-P22L	\$650.00	<input type="checkbox"/>	ONYX-P22L	\$650.00	<input type="checkbox"/>	LINX-P22L	\$690.00	<input type="checkbox"/>	LINX2-P22L	\$725.00
<input type="checkbox"/>	AXYS-P22V	\$650.00	<input type="checkbox"/>	ONYX-P22V	\$650.00	<input type="checkbox"/>	LINX-P22V	\$690.00	<input type="checkbox"/>	LINX2-P22V	\$725.00
<input type="checkbox"/>	AXYS-AP22L	\$660.00	<input type="checkbox"/>	ONYX-AP22L	\$660.00	<input type="checkbox"/>	LINX-AP22L	\$700.00	<input type="checkbox"/>	LINX2-AP22L	\$730.00
<input type="checkbox"/>	AXYS-AP22V	\$660.00	<input type="checkbox"/>	ONYX-AP22V	\$660.00	<input type="checkbox"/>	LINX-AP22V	\$700.00	<input type="checkbox"/>	LINX2-AP22V	\$730.00
<input type="checkbox"/>	AXYS-AP33L	\$660.00	<input type="checkbox"/>	ONYX-AP33L	\$660.00	<input type="checkbox"/>	LINX-AP33L	\$700.00	<input type="checkbox"/>	LINX2-AP33L	\$730.00
<input type="checkbox"/>	AXYS-AP33V	\$660.00	<input type="checkbox"/>	ONYX-AP33V	\$660.00	<input type="checkbox"/>	LINX-AP33V	\$700.00	<input type="checkbox"/>	LINX2-AP33V	\$730.00
<input type="checkbox"/>	AXYS-AP11L	\$660.00	<input type="checkbox"/>	ONYX-AP11L	\$660.00	<input type="checkbox"/>	LINX-AP11L	\$700.00	<input type="checkbox"/>	LINX2-AP11L	\$730.00
<input type="checkbox"/>	AXYS-AP11V	\$660.00	<input type="checkbox"/>	ONYX-AP11V	\$660.00	<input type="checkbox"/>	LINX-AP11V	\$700.00	<input type="checkbox"/>	LINX2-AP11V	\$730.00

NARROW PLUSH

<input type="checkbox"/>	AXYS-P12L	\$265.00	<input type="checkbox"/>	ONYX-P12L	\$265.00	<input type="checkbox"/>	LINX-P12L	\$265.00	<input type="checkbox"/>	LINX2-P12L	\$310.00
<input type="checkbox"/>	AXYS-P12V	\$265.00	<input type="checkbox"/>	ONYX-P12V	\$265.00	<input type="checkbox"/>	LINX-P12V	\$265.00	<input type="checkbox"/>	LINX2-P12V	\$310.00

Head Positioning

Whitmyer headrests come unassembled. Please add item WHITASSY001 if the dealer would like parts assembled. This is a no charge option.

		<input type="checkbox"/> Receiver must be selected at bottom of page		<input type="checkbox"/> Adult - 15" <input type="checkbox"/> Peds - 11" <input type="checkbox"/> EI - 10"		<input type="checkbox"/> Adult - 15" <input type="checkbox"/> Peds - 11" <input type="checkbox"/> EI - 10"
PAD	PRO		COBRA		COBRA-FB	

PLUSH	*Utilizes neoprene foam for a thinner pad	19"	<input type="checkbox"/> PRO-P4L	\$410.00	<input type="checkbox"/> COBRA-P4L	\$600.00	<input type="checkbox"/> FB-COBRA-P4L	\$740.00
		14"	<input type="checkbox"/> PRO-P4V	\$410.00	<input type="checkbox"/> COBRA-P4V	\$600.00	<input type="checkbox"/> FB-COBRA-P4V	\$740.00
		10"	<input type="checkbox"/> PRO-P2L	\$300.00	<input type="checkbox"/> COBRA-P2L	\$600.00	<input type="checkbox"/> FB-COBRA-P2L	\$680.00
		8"	<input type="checkbox"/> PRO-P2V	\$300.00	<input type="checkbox"/> COBRA-P2V	\$600.00	<input type="checkbox"/> FB-COBRA-P2V	\$680.00
		6"	<input type="checkbox"/> PRO-P1L	\$300.00	<input type="checkbox"/> COBRA-P1L	\$600.00	<input type="checkbox"/> FB-COBRA-P1L	\$680.00
		6"*	<input type="checkbox"/> PRO-P1V	\$300.00	<input type="checkbox"/> COBRA-P1V	\$600.00	<input type="checkbox"/> FB-COBRA-P1V	\$680.00
		6"*	<input type="checkbox"/> PRO-P3L	\$300.00	<input type="checkbox"/> COBRA-P3L	\$600.00	<input type="checkbox"/> FB-COBRA-P3L	\$680.00
		5"*	<input type="checkbox"/> PRO-P3V	\$300.00	<input type="checkbox"/> COBRA-P3V	\$600.00	<input type="checkbox"/> FB-COBRA-P3V	\$680.00

ADJUST -A- PLUSH	Large (Std)	<input type="checkbox"/> PRO-AP2L	\$470.00	<input type="checkbox"/> COBRA-AP2L	\$700.00	<input type="checkbox"/> FB-COBRA-AP2L	\$800.00
		<input type="checkbox"/> PRO-AP2V	\$470.00	<input type="checkbox"/> COBRA-AP2V	\$700.00	<input type="checkbox"/> FB-COBRA-AP2V	\$800.00
		<input type="checkbox"/> PRO-AP3L	\$470.00	<input type="checkbox"/> COBRA-AP3L	\$700.00	<input type="checkbox"/> FB-COBRA-AP3L	\$800.00
		<input type="checkbox"/> PRO-AP3V	\$470.00	<input type="checkbox"/> COBRA-AP3V	\$700.00	<input type="checkbox"/> FB-COBRA-AP3V	\$800.00
		<input type="checkbox"/> PRO-AP1L	\$470.00	<input type="checkbox"/> COBRA-AP1L	\$700.00	<input type="checkbox"/> FB-COBRA-AP1L	\$800.00

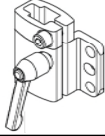



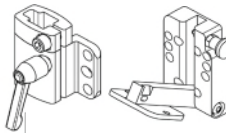
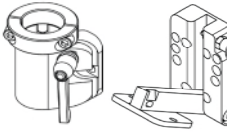
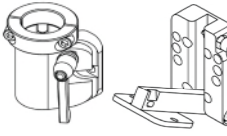
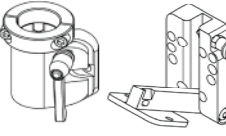
DUAL MOUNT -A- PLUSH	19"	<input type="checkbox"/> PRO-P44L	\$710.00	N/A			
		<input type="checkbox"/> PRO-P44V	\$710.00				
		<input type="checkbox"/> PRO-P22L	\$620.00				
		<input type="checkbox"/> PRO-P22V	\$620.00				
	Large	<input type="checkbox"/> PRO-AP22L	\$710.00	<input type="checkbox"/> COBRA-AP22L	\$910.00	<input type="checkbox"/> FB-COBRA-AP22L	\$995.00
		<input type="checkbox"/> PRO-AP22V	\$710.00	<input type="checkbox"/> COBRA-AP22V	\$910.00	<input type="checkbox"/> FB-COBRA-AP22V	\$995.00
		<input type="checkbox"/> PRO-AP33L	\$710.00	<input type="checkbox"/> COBRA-AP33L	\$910.00	<input type="checkbox"/> FB-COBRA-AP33L	\$995.00
		<input type="checkbox"/> PRO-AP33V	\$710.00	<input type="checkbox"/> COBRA-AP33V	\$910.00	<input type="checkbox"/> FB-COBRA-AP33V	\$995.00
		<input type="checkbox"/> PRO-AP11L	\$710.00	<input type="checkbox"/> COBRA-AP11L	\$910.00	<input type="checkbox"/> FB-COBRA-AP11L	\$995.00
		<input type="checkbox"/> PRO-AP11V	\$705.00	<input type="checkbox"/> COBRA-AP11V	\$910.00	<input type="checkbox"/> FB-COBRA-AP11V	\$995.00

NARROW PLUSH	<input type="checkbox"/> PRO-P12L	\$310.00	<input type="checkbox"/> COBRA-P12L	\$595.00	<input type="checkbox"/> FB-COBRA-P12L	\$690.00
	<input type="checkbox"/> PRO-P12V	\$310.00	<input type="checkbox"/> COBRA-P12V	\$595.00	<input type="checkbox"/> FB-COBRA-P12V	\$690.00

Mounting Brackets

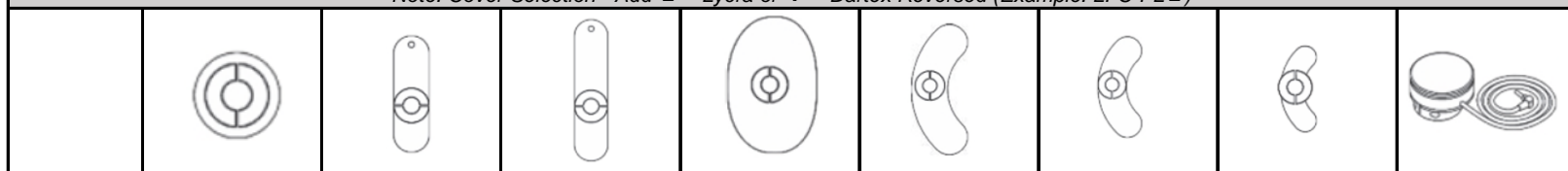
Head Support System Mounting Brackets must be ordered separately, except for COBRA

Note: If Dual Mount Pad is selected then quantity 2 of the appropriate Mounting Bracket must be selected

	AXYS	ONYX	LINX & LINX²	PRO	COBRA mounting system includes detachable mounting bracket
REMOVABLE MOUNTING BRACKET <small>(PART SOLD SEPARATELY FROM POST & PAD)</small>					
Detachable	<input type="checkbox"/> M2500 \$155.00	<input type="checkbox"/> M2100-WB \$129.00	<input type="checkbox"/> M2300 \$139.00	<input type="checkbox"/> M2200-WB \$279.00	
REMOVABLE & SWING-AWAY MNT BRACKET <small>(PART SOLD SEPARATELY FROM POST & PAD)</small>					
Swing-Away	<input type="checkbox"/> M5500 \$295.00	<input type="checkbox"/> M5100 \$279.00	<input type="checkbox"/> M5300 \$399.00	<input type="checkbox"/> M5200 \$431.00	

Lateral Facial Supports

Note: Cover Selection - Add L = Lycra or V = Dartex Reversed (Example: LFC-PLL)



SPOT STANDARD LONG OVAL LARGE-C MED-C SMALL-C FSO-B

Unilateral	<input type="checkbox"/>	LFC10-PLL \$317.00 LM115 \$112.00	<input type="checkbox"/>	LFC15-PLL \$317.00 LM115 \$112.00	<input type="checkbox"/>	LFC20-PLL \$317.00 LM115 \$112.00	<input type="checkbox"/>	LFC25-PLL \$317.00 LM115 \$112.00	<input type="checkbox"/>	LFC30-PLL \$317.00 LM115 \$112.00	<input type="checkbox"/>	LFC35-PLL \$317.00 LM115 \$112.00	<input type="checkbox"/>	LFC40-PLL \$317.00 LM115 \$112.00	<input type="checkbox"/>	LFC80-PL \$361.00 LM115 \$112.00
	<input type="checkbox"/>	LFC10-PLV \$317.00 LM115 \$112.00	<input type="checkbox"/>	LFC15-PLV \$317.00 LM115 \$112.00	<input type="checkbox"/>	LFC20-PLV \$317.00 LM115 \$112.00	<input type="checkbox"/>	LFC25-PLV \$317.00 LM115 \$112.00	<input type="checkbox"/>	LFC30-PLV \$317.00 LM115 \$112.00	<input type="checkbox"/>	LFC35-PLV \$317.00 LM115 \$112.00	<input type="checkbox"/>	LFC40-PLV \$317.00 LM115 \$112.00		

Bilateral	<input type="checkbox"/>	LFC10-PL2L \$588.00 LM115 \$112.00 LM115 \$112.00	<input type="checkbox"/>	LFC15-PL2L \$588.00 LM115 \$112.00 LM115 \$112.00	<input type="checkbox"/>	LFC20-PL2L \$588.00 LM115 \$112.00 LM115 \$112.00	<input type="checkbox"/>	LFC25-PL2L \$588.00 LM115 \$112.00 LM115 \$112.00	<input type="checkbox"/>	LFC30-PL2L \$588.00 LM115 \$112.00 LM115 \$112.00	<input type="checkbox"/>	LFC35-PL2L \$588.00 LM115 \$112.00 LM115 \$112.00	<input type="checkbox"/>	LFC40-PL2L \$588.00 LM115 \$112.00 LM115 \$112.00	<input type="checkbox"/>	LFC80-PL2 \$671.00 LM115 \$112.00 LM115 \$112.00
	<input type="checkbox"/>	LFC10-PL2V \$588.00 LM115 \$112.00 LM115 \$112.00	<input type="checkbox"/>	LFC15-PL2V \$588.00 LM115 \$112.00 LM115 \$112.00	<input type="checkbox"/>	LFC20-PL2V \$588.00 LM115 \$112.00 LM115 \$112.00	<input type="checkbox"/>	LFC25-PL2V \$588.00 LM115 \$112.00 LM115 \$112.00	<input type="checkbox"/>	LFC30-PL2V \$588.00 LM115 \$112.00 LM115 \$112.00	<input type="checkbox"/>	LFC35-PL2V \$588.00 LM115 \$112.00 LM115 \$112.00	<input type="checkbox"/>	LFC40-PL2V \$588.00 LM115 \$112.00 LM115 \$112.00		

Pad Only*	<input type="checkbox"/>	PL10L \$104.00	<input type="checkbox"/>	PL15L \$148.00	<input type="checkbox"/>	PL20L \$148.00	<input type="checkbox"/>	P600L \$148.00	<input type="checkbox"/>	PL30L \$148.00	<input type="checkbox"/>	PL35L \$148.00	<input type="checkbox"/>	PL40L \$129.00	N/A
	<input type="checkbox"/>	PL10V \$104.00	<input type="checkbox"/>	PL15V \$148.00	<input type="checkbox"/>	PL20V \$148.00	<input type="checkbox"/>	P600V \$148.00	<input type="checkbox"/>	PL30V \$148.00	<input type="checkbox"/>	PL35V \$148.00	<input type="checkbox"/>	PL40V \$129.00	

LATERAL FACIAL SUPPORT PARTS

**Note: If ordering an additional Lateral Facial Support, select both a Lateral Facial Support Pad Only from above and an Infinity Mount from below as well*

	Option #	Definition	Price
<input type="checkbox"/>	242161	Infinity Dual Mount Assembly*	\$275.00
<input type="checkbox"/>	LM1010	Lateral Facial Support*	\$177.00

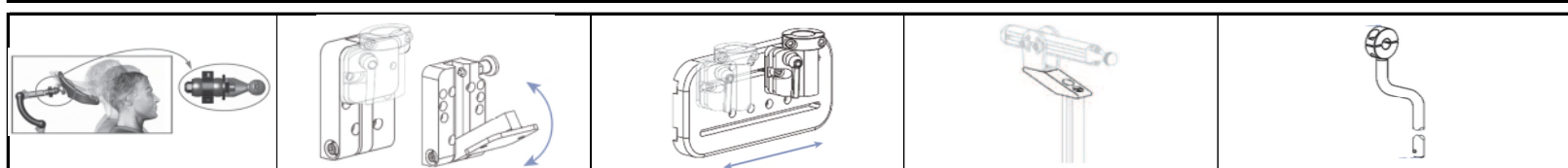
ANTERIOR HEAD SUPPORT



DYNAMIC FOREHEAD STRAP DFS² STRAP CAP STATIC FOREHEAD STRAP

ADULT	<input type="checkbox"/>	DFS10	\$414.00	<input type="checkbox"/>	DFSQ10	\$516.00	<input type="checkbox"/>	CAP10 (black)	\$573.00	<input type="checkbox"/>	HU10	\$385.00
PEDS	<input type="checkbox"/>	DFS30	\$414.00	<input type="checkbox"/>	DFSQ30	\$516.00	<input type="checkbox"/>	CAP30-R (red)	\$573.00			

CUSTOM MOUNTING OPTIONS

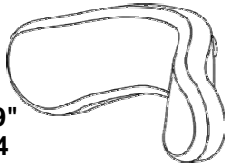
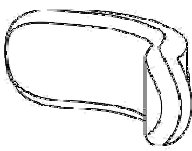
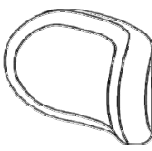
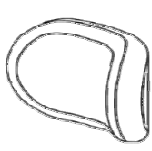

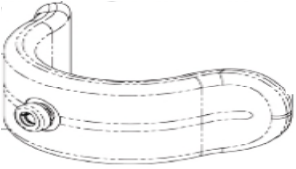
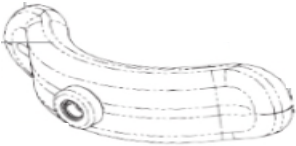

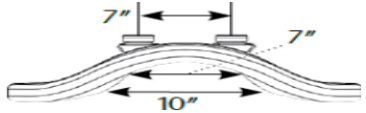
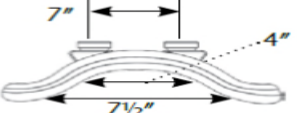
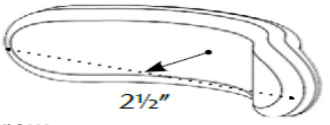
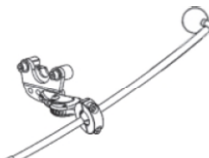
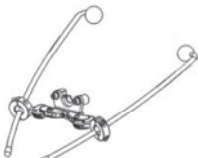

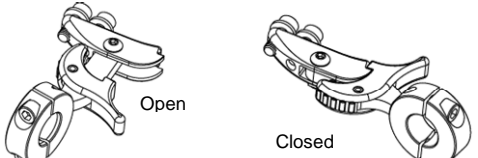
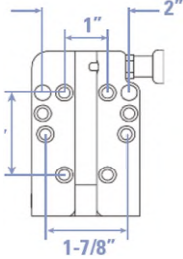
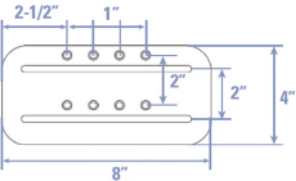

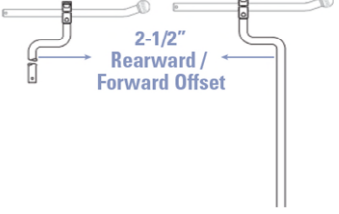


FLEX INTERFACE BRACKET UNIVERSAL SWING-AWAY MOUNT SLIDE MOUNT PRO OFF-SET MOUNTING SYSTEM ONYX REARWARD OFF-SET VERTICAL ROD

<input type="checkbox"/>	M9450 (hard)	\$264.00	<input type="checkbox"/>	M5000	\$151.00	<input type="checkbox"/>	M7010	\$134.00	<input type="checkbox"/>	PRC7070	\$234.00	<input type="checkbox"/>	OX6030	\$78.00
<input type="checkbox"/>	M8451 (soft)	\$261.00												

TOOLS

	Option #	Definition	Price
<input type="checkbox"/>	BOLT LUBE	Bolt Lube	\$0
<input type="checkbox"/>	T2500	Tool Kit	\$23.00

Pad Styles					
PLUSH	 <p>19" P4 19"w X 9"h</p>	 <p>14" P2 13-1/4"w X 7-1/2"h</p>	 <p>10" P1 9-1/4"w X 5"h</p>	 <p>8" P3 7-1/2"w X 5"h</p>	 <p>6" P8 6"w X 4"h</p>
ADJUST A-PLUSH	 <p>Large (Std) AP2 8"-18"w X 5"h</p>	 <p>Medium AP1 7"-16"w X 4"h</p>	 <p>Small (Narrow) AP1 6"-14"w X 3"h</p>		
SPECIALTY PLUSH	 <p>19" Dual Mount P44 19"w X 9"h</p>	 <p>14" Dual Mount P22 13-1/4"w X 7-1/2"h</p>	 <p>12" Narrow P12 13-1/4"w X 5"h</p>		
Lateral Facial Supports					
MOUNTING HARDWARE	 <p>Unilateral</p>	 <p>Bilateral</p>	 <p>Infinity Mount</p>	 <p>Open Closed LM115</p>	
CUSTOM MOUNTS					
			 <p>Flip horizontal bar for 1-1/2" of forward adjustment</p>	 <p>2-1/2" Rearward / Forward Offset</p>	
	UNIVERSAL SWING-AWAY MOUNT	SLIDE MOUNT	PRO OFF-SET MOUNTING SYSTEM	ONYX REARWARD OFF-SET VERTICAL ROD	



Sunrise Medical Canada Inc.
237 Romina Drive, Unit 3 • Concord, ON • L4K 4V3 Canada