

**Mark For:** \_\_\_\_\_

**Submitting for:**     Quote     Order

Date: \_\_\_\_\_

PO#: \_\_\_\_\_

Dealer Acct #: \_\_\_\_\_

Dealer: \_\_\_\_\_

**ADDITIONAL SHIPPING INFORMATION**

Dealer Contact: \_\_\_\_\_

Ship To: \_\_\_\_\_

Dealer Address: \_\_\_\_\_

Attention: \_\_\_\_\_

Dealer City: \_\_\_\_\_ Prov \_\_\_\_\_ PC \_\_\_\_\_

Address: \_\_\_\_\_

Dealer Phone: (    )                      Fax: (    )

Address: \_\_\_\_\_

Confirmation Email: \_\_\_\_\_

Ship To City: \_\_\_\_\_ Prov \_\_\_\_\_ PC \_\_\_\_\_

Confirm Via:     Fax                       Email

Ship To Phone: (    )                      Fax: (    )

**Head Positioning**

Whitmyer headrests come unassembled. Please add item WHITASSY001 if the dealer would like parts assembled. This is a no charge option.  
 Note: For cover selection, L = Lycra and V = Dartex Reversed (Example: AXYS-HUFALL or AXYS-HUFALV)



Receiver must be selected on pg 2



Receiver must be selected on pg 2



Receiver must be selected on pg 2

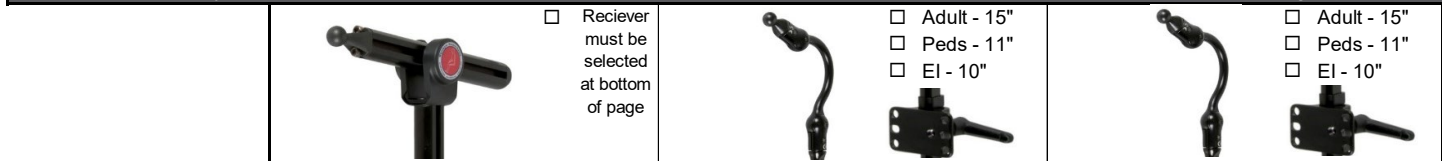


Receiver must be selected on pg 2

PAD		AXYS		ONYX		LINX		LINX <sup>2</sup>		
<b>PLUSH</b> <small>*Utilizes neoprene foam for a thinner pad</small>	<b>19"</b>	<input type="checkbox"/> AXYS-P4L \$418	<input type="checkbox"/> ONYX-P4L \$418	<input type="checkbox"/> LINX-P4L \$463	<input type="checkbox"/> LINX2-P4L \$542	<input type="checkbox"/> AXYS-P4V \$418	<input type="checkbox"/> ONYX-P4V \$418	<input type="checkbox"/> LINX-P4V \$463	<input type="checkbox"/> LINX2-P4V \$542	
	<b>14"</b>	<input type="checkbox"/> AXYS-P2L \$317	<input type="checkbox"/> ONYX-P2L \$317	<input type="checkbox"/> LINX-P2L \$317	<input type="checkbox"/> LINX2-P2L \$362	<input type="checkbox"/> AXYS-P2V \$317	<input type="checkbox"/> ONYX-P2V \$317	<input type="checkbox"/> LINX-P2V \$317	<input type="checkbox"/> LINX2-P2V \$362	
	<b>10"</b>	<input type="checkbox"/> AXYS-P1L \$299	<input type="checkbox"/> ONYX-P1L \$299	<input type="checkbox"/> LINX-P1L \$299	<input type="checkbox"/> LINX2-P1L \$351	<input type="checkbox"/> AXYS-P1V \$299	<input type="checkbox"/> ONYX-P1V \$299	<input type="checkbox"/> LINX-P1V \$299	<input type="checkbox"/> LINX2-P1V \$351	
	<b>8"</b>	<input type="checkbox"/> AXYS-P3L \$299	<input type="checkbox"/> ONYX-P3L \$299	<input type="checkbox"/> LINX-P3L \$299	<input type="checkbox"/> LINX2-P3L \$351	<input type="checkbox"/> AXYS-P3V \$299	<input type="checkbox"/> ONYX-P3V \$299	<input type="checkbox"/> LINX-P3V \$299	<input type="checkbox"/> LINX2-P3V \$351	
	<b>6"</b>	<input type="checkbox"/> AXYS-P8L \$299	<input type="checkbox"/> ONYX-P8L \$299	<input type="checkbox"/> LINX-P8L \$299	<input type="checkbox"/> LINX2-P8L \$351	<input type="checkbox"/> AXYS-P8V \$299	<input type="checkbox"/> ONYX-P8V \$299	<input type="checkbox"/> LINX-P8V \$299	<input type="checkbox"/> LINX2-P8V \$351	
	<b>6**</b>	<input type="checkbox"/> AXYS-P6L \$243	<input type="checkbox"/> ONYX-P6L \$243	<input type="checkbox"/> LINX-P6L \$209	<input type="checkbox"/> LINX2-P6L \$260	<input type="checkbox"/> AXYS-P6V \$243	<input type="checkbox"/> ONYX-P6V \$243	<input type="checkbox"/> LINX-P6V \$209	<input type="checkbox"/> LINX2-P6V \$260	
	<b>5**</b>	<input type="checkbox"/> AXYS-P5L \$243	<input type="checkbox"/> ONYX-P5L \$243	<input type="checkbox"/> LINX-P5L \$209	<input type="checkbox"/> LINX2-P5L \$260	<input type="checkbox"/> AXYS-P5V \$243	<input type="checkbox"/> ONYX-P5V \$243	<input type="checkbox"/> LINX-P5V \$209	<input type="checkbox"/> LINX2-P5V \$260	
<b>ADJUST -A- PLUSH</b>	<b>Large (Std)</b>	<input type="checkbox"/> AXYS-AP2L \$463	<input type="checkbox"/> ONYX-AP2L \$463	<input type="checkbox"/> LINX-AP2L \$463	<input type="checkbox"/> LINX2-AP2L \$537	<input type="checkbox"/> AXYS-AP2V \$463	<input type="checkbox"/> ONYX-AP2V \$463	<input type="checkbox"/> LINX-AP2V \$463	<input type="checkbox"/> LINX2-AP2V \$537	
	<b>Medium</b>	<input type="checkbox"/> AXYS-AP3L \$463	<input type="checkbox"/> ONYX-AP3L \$463	<input type="checkbox"/> LINX-AP3L \$463	<input type="checkbox"/> LINX2-AP3L \$537	<input type="checkbox"/> AXYS-AP3V \$463	<input type="checkbox"/> ONYX-AP3V \$463	<input type="checkbox"/> LINX-AP3V \$463	<input type="checkbox"/> LINX2-AP3V \$537	
	<b>Small (Narrow)</b>	<input type="checkbox"/> AXYS-AP1L \$463	<input type="checkbox"/> ONYX-AP1L \$463	<input type="checkbox"/> LINX-AP1L \$463	<input type="checkbox"/> LINX2-AP1L \$537	<input type="checkbox"/> AXYS-AP1V \$463	<input type="checkbox"/> ONYX-AP1V \$463	<input type="checkbox"/> LINX-AP1V \$463	<input type="checkbox"/> LINX2-AP1V \$537	
		<input type="checkbox"/> AXYS-AP1V \$463	<input type="checkbox"/> ONYX-AP1V \$463	<input type="checkbox"/> LINX-AP1V \$463	<input type="checkbox"/> LINX2-AP1V \$537					
<b>DUAL MOUNT ADJUST -A- PLUSH</b>	<b>19"</b>	<input type="checkbox"/> AXYS-P44L \$746	<input type="checkbox"/> ONYX-P44L \$746	<input type="checkbox"/> LINX-P44L \$791	<input type="checkbox"/> LINX2-P44L \$830	<input type="checkbox"/> AXYS-P44V \$746	<input type="checkbox"/> ONYX-P44V \$746	<input type="checkbox"/> LINX-P44V \$791	<input type="checkbox"/> LINX2-P44V \$830	
		<input type="checkbox"/> AXYS-P22L \$735	<input type="checkbox"/> ONYX-P22L \$735	<input type="checkbox"/> LINX-P22L \$780	<input type="checkbox"/> LINX2-P22L \$819	<input type="checkbox"/> AXYS-P22V \$735	<input type="checkbox"/> ONYX-P22V \$735	<input type="checkbox"/> LINX-P22V \$780	<input type="checkbox"/> LINX2-P22V \$819	
	<b>Large</b>	<input type="checkbox"/> AXYS-AP22L \$746	<input type="checkbox"/> ONYX-AP22L \$746	<input type="checkbox"/> LINX-AP22L \$791	<input type="checkbox"/> LINX2-AP22L \$825	<input type="checkbox"/> AXYS-AP22V \$746	<input type="checkbox"/> ONYX-AP22V \$746	<input type="checkbox"/> LINX-AP22V \$791	<input type="checkbox"/> LINX2-AP22V \$825	
		<input type="checkbox"/> AXYS-AP33L \$746	<input type="checkbox"/> ONYX-AP33L \$746	<input type="checkbox"/> LINX-AP33L \$791	<input type="checkbox"/> LINX2-AP33L \$825	<input type="checkbox"/> AXYS-AP33V \$746	<input type="checkbox"/> ONYX-AP33V \$746	<input type="checkbox"/> LINX-AP33V \$791	<input type="checkbox"/> LINX2-AP33V \$825	
		<input type="checkbox"/> AXYS-AP11L \$746	<input type="checkbox"/> ONYX-AP11L \$746	<input type="checkbox"/> LINX-AP11L \$791	<input type="checkbox"/> LINX2-AP11L \$825	<input type="checkbox"/> AXYS-AP11V \$746	<input type="checkbox"/> ONYX-AP11V \$746	<input type="checkbox"/> LINX-AP11V \$791	<input type="checkbox"/> LINX2-AP11V \$825	
		<input type="checkbox"/> AXYS-AP11V \$746	<input type="checkbox"/> ONYX-AP11V \$746	<input type="checkbox"/> LINX-AP11V \$791	<input type="checkbox"/> LINX2-AP11V \$825					
		<b>Medium</b>								
	<b>Small</b>									
	<b>NARROW PLUSH</b>		<input type="checkbox"/> AXYS-P12L \$299	<input type="checkbox"/> ONYX-P12L \$299	<input type="checkbox"/> LINX-P12L \$299	<input type="checkbox"/> LINX2-P12L \$351	<input type="checkbox"/> AXYS-P12V \$299	<input type="checkbox"/> ONYX-P12V \$299	<input type="checkbox"/> LINX-P12V \$299	<input type="checkbox"/> LINX2-P12V \$351

## Head Positioning

Whitmyer headrests come unassembled. Please add item WHITASSY001 if the dealer would like parts assembled. This is a no charge option.

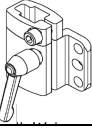

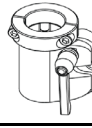

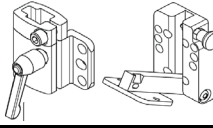
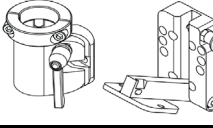
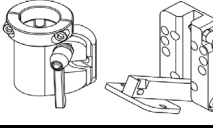
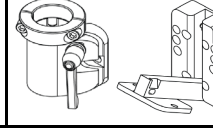










PAD		PRO	COBRA	COBRA-FB	
<b>PLUSH</b>	19"	<input type="checkbox"/> PRO-P4L \$463	<input type="checkbox"/> COBRA-P4L \$679	<input type="checkbox"/> FB-COBRA-P4L \$836	
	14"	<input type="checkbox"/> PRO-P2L \$339	<input type="checkbox"/> COBRA-P2L \$679	<input type="checkbox"/> FB-COBRA-P2L \$769	
	10"	<input type="checkbox"/> PRO-P1L \$339	<input type="checkbox"/> COBRA-P1L \$679	<input type="checkbox"/> FB-COBRA-P1L \$769	
	8"	<input type="checkbox"/> PRO-P3L \$339	<input type="checkbox"/> COBRA-P3L \$679	<input type="checkbox"/> FB-COBRA-P3L \$769	
	6"	<input type="checkbox"/> PRO-P8L \$339	<input type="checkbox"/> COBRA-P8L \$679	<input type="checkbox"/> FB-COBRA-P8L \$769	
	6"*	<input type="checkbox"/> PRO-P6L \$339	<input type="checkbox"/> COBRA-P6L \$679	<input type="checkbox"/> FB-COBRA-P6L \$780	
	5"*	<input type="checkbox"/> PRO-P5L \$339	<input type="checkbox"/> COBRA-P5L \$679	<input type="checkbox"/> FB-COBRA-P5L \$780	
	5"*	<input type="checkbox"/> PRO-P5V \$339	<input type="checkbox"/> COBRA-P5V \$679	<input type="checkbox"/> FB-COBRA-P5V \$780	
<b>ADJUST -A- PLUSH</b>	Large (Std)	<input type="checkbox"/> PRO-AP2L \$531	<input type="checkbox"/> COBRA-AP2L \$791	<input type="checkbox"/> FB-COBRA-AP2L \$904	
	Medium	<input type="checkbox"/> PRO-AP3L \$531	<input type="checkbox"/> COBRA-AP3L \$791	<input type="checkbox"/> FB-COBRA-AP3L \$904	
	Small (Narrow)	<input type="checkbox"/> PRO-AP1L \$531	<input type="checkbox"/> COBRA-AP1L \$791	<input type="checkbox"/> FB-COBRA-AP1L \$904	
	Small (Narrow)	<input type="checkbox"/> PRO-AP1V \$531	<input type="checkbox"/> COBRA-AP1V \$791	<input type="checkbox"/> FB-COBRA-AP1V \$904	
<b>DUAL MOUNT</b>	<b>ADJUST -A- PLUSH</b>	19"	N/A		
		14"			
		Large			
		Medium			
	Small	<input type="checkbox"/> PRO-AP22L \$803	<input type="checkbox"/> COBRA-AP22L \$1,028	<input type="checkbox"/> FB-COBRA-AP22L \$1,124	
	Large	<input type="checkbox"/> PRO-AP22V \$803	<input type="checkbox"/> COBRA-AP22V \$1,028	<input type="checkbox"/> FB-COBRA-AP22V \$1,124	
	Medium	<input type="checkbox"/> PRO-AP33L \$803	<input type="checkbox"/> COBRA-AP33L \$1,028	<input type="checkbox"/> FB-COBRA-AP33L \$1,124	
	Medium	<input type="checkbox"/> PRO-AP33V \$803	<input type="checkbox"/> COBRA-AP33V \$1,028	<input type="checkbox"/> FB-COBRA-AP33V \$1,124	
	Small	<input type="checkbox"/> PRO-AP11L \$803	<input type="checkbox"/> COBRA-AP11L \$1,028	<input type="checkbox"/> FB-COBRA-AP11L \$1,124	
	Small	<input type="checkbox"/> PRO-AP11V \$796	<input type="checkbox"/> COBRA-AP11V \$1,028	<input type="checkbox"/> FB-COBRA-AP11V \$1,124	
<b>NARROW PLUSH</b>		<input type="checkbox"/> PRO-P12L \$351	<input type="checkbox"/> COBRA-P12L \$672	<input type="checkbox"/> FB-COBRA-P12L \$780	
		<input type="checkbox"/> PRO-P12V \$351	<input type="checkbox"/> COBRA-P12V \$672	<input type="checkbox"/> FB-COBRA-P12V \$780	

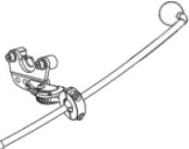
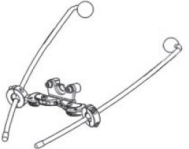


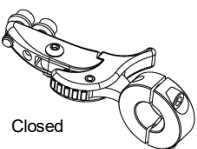
## Mounting Brackets

Head Support System Mounting Brackets must be ordered separately, except for COBRA

*Note: If Dual Mount Pad is selected then quantity 2 of the appropriate Mounting Bracket must be selected*

	AXYS	ONYX	LINX & LINXS <sup>2</sup>	PRO	COBRA mounting system includes detachable mounting bracket
<b>REMOVABLE MOUNTING BRACKET</b> <small>(PART SOLD SEPARATELY FROM POST &amp; PAD)</small>					
Detachable	<input type="checkbox"/> M2500 \$175	<input type="checkbox"/> M2100-WB \$146	<input type="checkbox"/> M2300 \$157	<input type="checkbox"/> M2200-WB \$316	
<b>REMOVABLE &amp; SWING-AWAY MNT BRACKET</b> <small>(PART SOLD SEPARATELY FROM POST &amp; PAD)</small>					
Swing-Away	<input type="checkbox"/> M5500 \$333	<input type="checkbox"/> M5100 \$316	<input type="checkbox"/> M5300 \$451	<input type="checkbox"/> M5200 \$487	

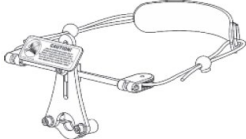


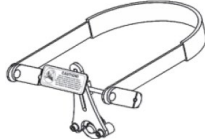
Lateral Facial Supports																
Note: Cover Selection - Add L = Lycra or V = Dartex Reversed (Example: LFC-PLL)																
																
	2"	2.25" x 5"	2.25" x 7"	4" x 6"	2" x 6"	1.75" x 5"	1.25" x 4"									
	<b>SPOT</b>	<b>STANDARD</b>	<b>LONG</b>	<b>OVAL</b>	<b>LARGE-C</b>	<b>MED-C</b>	<b>SMALL-C</b>			<b>FSO-8</b>						
<b>Unilateral</b>	<input type="checkbox"/>	LFC10-PLL \$358 LM115 \$126	<input type="checkbox"/>	LFC15-PLL \$358 LM115 \$126	<input type="checkbox"/>	LFC20-PLL \$358 LM115 \$126	<input type="checkbox"/>	LFC25-PLL \$358 LM115 \$126	<input type="checkbox"/>	LFC30-PLL \$358 LM115 \$126	<input type="checkbox"/>	LFC35-PLL \$358 LM115 \$126	<input type="checkbox"/>	LFC40-PLL \$358 LM115 \$126	<input type="checkbox"/>	LFC80-PL \$408 LM115 \$126
	<input type="checkbox"/>	LFC10-PLV \$358 LM115 \$126	<input type="checkbox"/>	LFC15-PLV \$358 LM115 \$126	<input type="checkbox"/>	LFC20-PLV \$358 LM115 \$126	<input type="checkbox"/>	LFC25-PLV \$358 LM115 \$126	<input type="checkbox"/>	LFC30-PLV \$358 LM115 \$126	<input type="checkbox"/>	LFC35-PLV \$358 LM115 \$126	<input type="checkbox"/>	LFC40-PLV \$358 LM115 \$126		
<b>Bilateral</b>	<input type="checkbox"/>	LFC10-PL2L \$664 LM115 \$126 LM115 \$126	<input type="checkbox"/>	LFC15-PL2L \$664 LM115 \$126 LM115 \$126	<input type="checkbox"/>	LFC20-PL2L \$664 LM115 \$126 LM115 \$126	<input type="checkbox"/>	LFC25-PL2L \$664 LM115 \$126 LM115 \$126	<input type="checkbox"/>	LFC30-PL2L \$664 LM115 \$126 LM115 \$126	<input type="checkbox"/>	LFC35-PL2L \$664 LM115 \$126 LM115 \$126	<input type="checkbox"/>	LFC40-PL2L \$664 LM115 \$126 LM115 \$126	<input type="checkbox"/>	LFC80-PL2 \$759 LM115 \$126 LM115 \$126
	<input type="checkbox"/>	LFC10-PL2V \$664 LM115 \$126 LM115 \$126	<input type="checkbox"/>	LFC15-PL2V \$664 LM115 \$126 LM115 \$126	<input type="checkbox"/>	LFC20-PL2V \$664 LM115 \$126 LM115 \$126	<input type="checkbox"/>	LFC25-PL2V \$664 LM115 \$126 LM115 \$126	<input type="checkbox"/>	LFC30-PL2V \$664 LM115 \$126 LM115 \$126	<input type="checkbox"/>	LFC35-PL2V \$664 LM115 \$126 LM115 \$126	<input type="checkbox"/>	LFC40-PL2V \$664 LM115 \$126 LM115 \$126		
<b>Pad Only*</b>	<input type="checkbox"/>	PL10L \$118	<input type="checkbox"/>	PL15L \$167	<input type="checkbox"/>	PL20L \$167	<input type="checkbox"/>	P600L \$167	<input type="checkbox"/>	PL30L \$167	<input type="checkbox"/>	PL35L \$167	<input type="checkbox"/>	PL40L \$146		N/A
	<input type="checkbox"/>	PL10V \$118	<input type="checkbox"/>	PL15V \$167	<input type="checkbox"/>	PL20V \$167	<input type="checkbox"/>	P600V \$167	<input type="checkbox"/>	PL30V \$167	<input type="checkbox"/>	PL35V \$167	<input type="checkbox"/>	PL40V \$146		

Lateral Facial Supports										
<b>MOUNTING HARDWARE</b>										
	<b>Unilateral</b>	<b>Bilateral</b>	<b>Infinity Mount</b>	<b>Swing-Away Mount</b>						LM115

**LATERAL FACIAL SUPPORT PARTS**

\*Note: If ordering an additional Lateral Facial Support, select both a Lateral Facial Support Pad Only from above and an Infinity Mount from below as well

✓	Option #	Definition	Price
<input type="checkbox"/>	242161	Infinity Dual Mount Assembly*	\$290
<input type="checkbox"/>	LM1010	Lateral Facial Support*	\$200

ANTERIOR HEAD SUPPORT										
										
<b>DYNAMIC FOREHEAD STRAP</b>	<b>DFS<sup>2</sup></b>	<b>STRAP CAP</b>	<b>STATIC FOREHEAD STRAP</b>							
<b>ADULT</b>	<input type="checkbox"/>	DFS10 \$467	<input type="checkbox"/>	DFSQ10 \$583	<input type="checkbox"/>	CAP10 (black) \$648	<input type="checkbox"/>	CAP30-R (red) \$648	<input type="checkbox"/>	HU10 \$435
<b>PEDS</b>	<input type="checkbox"/>	DFS30 \$467	<input type="checkbox"/>	DFSQ30 \$583	<input type="checkbox"/>	CAP30-B (blue) \$648				

MOUNTING OPTIONS									
<b>FLEX INTERFACE BRACKET</b>	<b>UNIVERSAL SWING-AWAY MOUNT</b>	<b>SLIDE MOUNT</b>	<b>PRO OFF-SET MOUNTING SYSTEM</b>	<b>ONYX REARWARD OFF-SET VERTICAL ROD</b>					
<input type="checkbox"/> M9450 (hard) \$298	<input type="checkbox"/> M5000 \$170	<input type="checkbox"/> M7010 \$152	<input type="checkbox"/> PRC7070 \$264	<input type="checkbox"/> OX6030 \$88					
<input type="checkbox"/> M9451 (soft) \$295									
TOOLS									
<input checked="" type="checkbox"/>	Option #	Definition	Price						
<input type="checkbox"/>	BOLT LUBE	Bolt Lube	NC						
<input type="checkbox"/>	T2500	Tool Kit	\$26.00						
Pad Styles									
<b>PLUSH</b>									
<b>ADJUST -A- PLUSH</b>									
<b>SPECIALTY PLUSH</b>									
	<b>19" Dual Mount P44</b> 19"w X 9"h	<b>14" Dual Mount P22</b> 13-1/4"w X 7-1/2"h	<b>12" Narrow P12</b> 13-1/4" w X 5" h						



Sunrise Medical Canada Inc.  
237 Romina Drive, Unit 3 • Concord, ON L4K 4V3 • Canada