



Zippie TS

February 2024

EIZ1A

| | |
|---|--|
| Date: _____ Dealer Acct #: _____ Dealer: _____ Dealer Contact: _____ Dealer Address: _____ Dealer City: _____ Prov: _____ PC: _____ Dealer Phone: () _____ Fax: () _____ Confirm Via: <input type="checkbox"/> Fax <input type="checkbox"/> Email Mark For: _____ | SUBMITTING FOR: <input type="checkbox"/> Quote <input type="checkbox"/> Order PO#: _____ Ship To: _____ Attention: _____ Address: _____ Address: _____ Ship To City: _____ Prov: _____ PC: _____ Ship To Phone: () _____ Fax: () _____ |
|---|--|

| ✓ Option # | Definition | Price | ✓ Option # | Definition | Price |
|------------------|------------|-------|------------|------------|-------|
| ZIPPIE TS | | | | | |

1. FRAME

All Zippie TS models grow in width and depth.

| Base Models | | | |
|--------------------------|---------|--|---------|
| <input type="checkbox"/> | 187WM63 | Folding Growing Zippie TS <i>Without Seating</i> <i>Transit Included (includes True Fit)</i> | \$4,244 |
| <input type="checkbox"/> | 187WM65 | Folding Growing Zippie TS <i>Without Seating</i> <i>Transit Optional (includes True Fit)</i> | \$4,244 |
| <input type="checkbox"/> | 187WM64 | Rigid Growing Zippie TS <i>Without Seating</i> <i>Transit Included (includes True Fit)</i> | \$4,121 |
| <input type="checkbox"/> | 187WM66 | Rigid Growing Zippie TS <i>Without Seating</i> <i>Transit Optional (includes True Fit)</i> | \$4,121 |
| <input type="checkbox"/> | 187F02 | Additional Rigid Strut Tube | NC |

| Transit System (For use when Transit Optional is selected) | | | |
|--|---------|--|-----|
| Tie Down Requires: Solid Seat and Solid Back or Growing Seat Pan and JAY Fit or Conventional Seat and Back or Growing Seat Pan and Solid Back or JAY Fit and/or Conventional Seat & Back | | | |
| <input type="checkbox"/> | 187TO12 | Transit Optional Seating <i>(Req. Selection of Seat & Back)</i> | NC |
| <input type="checkbox"/> | 187TO11 | Transit Optional w/o Seating | NC |
| <input type="checkbox"/> | 187TO20 | Transit Omit | N/C |

| Tilt Options | | | |
|--------------------------|---------|--|-----|
| <input type="checkbox"/> | 187TT12 | Dual Trigger Cable Release | NC |
| <input type="checkbox"/> | 187VZ01 | Crisscross Cables <i>(cables are longer individually)</i> | NC |
| <input type="checkbox"/> | 187VZ02 | Non-crisscross | Std |
| <input type="checkbox"/> | 187TT8 | Cable Foot Release <i>(may limit folding width)</i> | NC |

2. SIZE/SEATING

| Frame Width | | | |
|--------------------------|--------|---------------------|----|
| <input type="checkbox"/> | 187W25 | Small Cross Brace | NC |
| <input type="checkbox"/> | 187S1 | 10" | NC |
| <input type="checkbox"/> | 187S2 | 11" | NC |
| <input type="checkbox"/> | 187S3 | 12" | NC |
| <input type="checkbox"/> | 187W26 | Medium Cross Brace | NC |
| <input type="checkbox"/> | 187S3 | 12" | NC |
| <input type="checkbox"/> | 187S4 | 13" | NC |
| <input type="checkbox"/> | 187S5 | 14" | NC |
| <input type="checkbox"/> | 187W27 | Large Cross Brace | NC |
| <input type="checkbox"/> | 187S5 | 14" | NC |
| <input type="checkbox"/> | 187S6 | 15" | NC |
| <input type="checkbox"/> | 187S7 | 16" | NC |
| <input type="checkbox"/> | 187W28 | X-Large Cross Brace | NC |
| <input type="checkbox"/> | 187S7 | 16" | NC |
| <input type="checkbox"/> | 187S8 | 17" | NC |
| <input type="checkbox"/> | 187S9 | 18" | NC |

| Frame Depth and Back Post Location | | | |
|------------------------------------|---------|--|----|
| <input type="checkbox"/> | 187FD4 | 13" Frame Depth | NC |
| <input type="checkbox"/> | 187FD5 | 14" Frame Depth | NC |
| <input type="checkbox"/> | 187FD6 | 15" Frame Depth | NC |
| <input type="checkbox"/> | 187FD7 | 16" Frame Depth | NC |
| <input type="checkbox"/> | 187FD8 | 17" Frame Depth | NC |
| <input type="checkbox"/> | 187FD9 | 18" Frame Depth | NC |
| <input type="checkbox"/> | 187FD10 | 19" Frame Depth <i>(uses rear frame extension plug)</i> | NC |
| <input type="checkbox"/> | 187FD36 | 20" Frame Depth <i>(uses rear frame extension plug)</i> | NC |

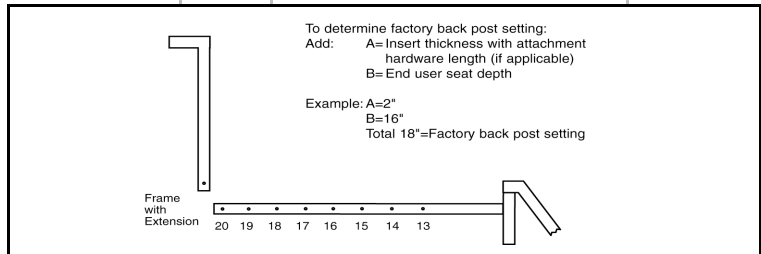


Figure 6.1 - Frame Depth Diagram
Units are in inches.

2. SIZE/SEATING CONT.

| Seats | | | |
|--------------------------|---------|---|-------|
| <input type="checkbox"/> | 187ST55 | Solid Seat <i>(Requires Solid Back, N/A w/ 10"-13" Wide x 19"-20" Frame Depth or 17"-18" Wide x 13"-17" Frame Depth)</i> | \$315 |
| <input type="checkbox"/> | 187ST14 | Growing Seat Pan Depth <i>(Fig. 7.1)</i> | \$274 |
| <input type="checkbox"/> | 187ST5 | Omit Seat | Std |

JAY Cushions (Optional)

To order any JAY cushions on-chair, please see the JAY price list. Cushion name or part number must be filled out with desired width and depth.

| JAY Bundled Cushion | | | |
|--------------------------|---------|--|------------|
| <input type="checkbox"/> | 187JC20 | Name / Part # | Price List |
| | | Width (in.) Depth (in.) | |

REFERENCE ONLY

| Seat Depth Pan Size | Depth Range | |
|---------------------|-------------|---------|
| | Minimum | Maximum |
| Medium 13"-14" | 11-3/4" | 16-1/4" |
| Long 15"-17" | 13-3/4" | 18-1/4" |
| X-Long 18"-20" | 15-3/4" | 20-1/4" |

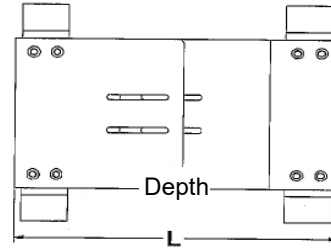


Figure 7.1 - Frame Depth Growth Range Matrix

3. CASTERS

Caster Wheel

Some interference may occur when choosing 8" Caster w/ Z-Finity

| | | | |
|--------------------------|---------|-------------------------------------|-------|
| <input type="checkbox"/> | 187CW30 | 3" Micro Light Up | \$72 |
| <input type="checkbox"/> | 187CW31 | 4" Micro Light Up | \$108 |
| <input type="checkbox"/> | 187CW51 | 5" Micro Light Up | \$108 |
| <input type="checkbox"/> | 187CW5 | 5" Low-Profile Polyurethane | STD |
| <input type="checkbox"/> | 187CW7 | 5" x 1.5" Semi-Pneumatic | \$108 |
| <input type="checkbox"/> | 187CW33 | 6" Pneumatic | \$108 |
| <input type="checkbox"/> | 187CW34 | 6" Polyurethane | NC |
| <input type="checkbox"/> | 187CW35 | 6" x 1.5" Semi-Pneumatic | \$108 |
| <input type="checkbox"/> | 187CW21 | 8" Pneumatic | \$144 |
| <input type="checkbox"/> | 187CW32 | 8" Polyurethane | NC |
| <input type="checkbox"/> | 187CW39 | 8" x 1.5" Semi-Pneumatic | \$144 |
| <input type="checkbox"/> | 187CW36 | 8" x 2" Pneumatic | \$243 |
| <input type="checkbox"/> | 187CW37 | 8" x 2" Pneumatic w/ Airless Insert | \$387 |

Caster Options

| | | | |
|--------------------------|--------|---|-------|
| <input type="checkbox"/> | 187CS3 | Caster Pin Locks <i>(N/A with 8" x 2" and 8" x 1.5" casters)</i> | \$150 |
|--------------------------|--------|---|-------|

CASTER SIZE

| Rear Wheel Size | CASTER SIZE | | | | | | |
|-----------------|-------------|-------|-------|-------|-------|---------|-------|
| | 3" | 4" | 5" | 6" | 8"x1" | 8"x1.5" | 8"x2" |
| 12" | 17.0" | 16.5" | 16.5" | 17.0" | N/A | N/A | N/A |
| | 17.5" | 17.0" | 17.0" | 17.5" | | | |
| 12" Low Poly | N/A | 17.5" | 17.5" | N/A | 18.5" | 18.0" | 18.5" |
| | 16.0" | 16.0" | 16.0" | 16.5" | N/A | N/A | N/A |
| 16" | 15.5" | 15.5" | 15.5" | N/A | N/A | N/A | N/A |
| | 18.0" | 18.0" | 18.0" | 18.0" | 18.5" | 18.0" | 18.5" |
| | 18.5" | 18.5" | 18.5" | 18.5" | 19.0" | 18.5" | N/A |
| 20" | 15.5" | 15.5" | 15.5" | N/A | 18.5" | 18.0" | 18.5" |
| | 16.0" | 16.0" | 16.0" | | | | |
| | 16.5" | 16.5" | 16.5" | 16.5" | | | |
| | 17.0" | 17.0" | 17.0" | 17.0" | | | |
| | 17.5" | 17.5" | 17.5" | 17.5" | | | |
| 22" | 18.0" | 18.0" | 18.0" | 18.0" | 18.5" | 18.5" | 19.0" |
| | 18.5" | 18.5" | 18.5" | 18.5" | 19.0" | 19.0" | N/A |
| | N/A | 19.0" | 19.0" | 19.0" | 19.5" | N/A | N/A |
| | 17.0" | N/A | N/A | N/A | N/A | N/A | N/A |
| | 17.5" | 17.5" | 17.5" | 17.5" | | | |
| 24" | 18.0" | 18.0" | 18.0" | 18.0" | 18.5" | 18.5" | 18.5" |
| | 18.5" | 18.5" | 18.5" | 18.5" | 19.0" | 19.0" | 19.0" |
| | N/A | 19.0" | 19.0" | 19.0" | 19.0" | 19.0" | 19.0" |
| | N/A | N/A | 19.5" | 19.5" | 19.5" | 19.5" | 20.0" |
| | N/A | N/A | N/A | 20.0" | 20.0" | 20.0" | N/A |

Chart A - Seat to Floor Height Matrix

Note: Rear seat-to-floor ht. may be up to 1.5" lower than front seat-to-floor ht.

4. REAR WHEELS / SEAT HEIGHT

| Rear Wheel Size | | | |
|--------------------------|---------|---------------------------------------|-------|
| <input type="checkbox"/> | 187RW13 | 12" Mag <i>(N/A with handrims)</i> | STD |
| <input type="checkbox"/> | 187RW14 | 16" Mag <i>(N/A with handrims)</i> | NC |
| <input type="checkbox"/> | 187RW3 | 20" Mag | NC |
| <input type="checkbox"/> | 187RW8 | 22" Mag | NC |
| <input type="checkbox"/> | 187RW1 | 24" Mag | NC |
| <input type="checkbox"/> | 187RW90 | 20" Lite Spoke | \$315 |
| <input type="checkbox"/> | 187RW91 | 22" Lite Spoke | \$315 |
| <input type="checkbox"/> | 187RW54 | 24" Lite Spoke | \$315 |

| Rear Wheel Tire | | | |
|--------------------------|--------|---|-------|
| <input type="checkbox"/> | 187RT1 | Pneumatic | NC |
| <input type="checkbox"/> | 187RT2 | Pneumatic Airless Insert | \$243 |
| <input type="checkbox"/> | 187RT3 | Full Polyurethane <i>(N/A w/ 12" and 16" rear wheels)</i> | NC |
| <input type="checkbox"/> | 187RT4 | Low Polyurethane <i>(Only available with 12" or 24" wheels)</i> | NC |
| <input type="checkbox"/> | 187RT6 | High Pressure Clincher <i>(Only available with 24" spoke wheels)</i> | \$103 |

| Handrim | | | |
|--------------------------|--------|---|-------|
| <input type="checkbox"/> | 187HR1 | Aluminum Anodized | NC |
| <input type="checkbox"/> | 187HR4 | Plastic Coated | \$144 |
| <input type="checkbox"/> | 187HR7 | Omit <i>(N/A with wheel/axle credit)</i> | NC |

| Projections <i>(N/A on Plastic Coated)</i> | | | |
|---|--------|-----------|-------|
| <i>*Only available with 24" wheels & N/A with spoke guards.</i> | | | |
| <input type="checkbox"/> | 187HR8 | 8 Oblique | \$144 |

| Axle | | | |
|--------------------------|---------|--|-------|
| <input type="checkbox"/> | 187AX26 | One-Arm Drive Axle <i>(Only avail. w/ One-Arm Drive Option)</i> | STD |
| <input type="checkbox"/> | 187AX1 | Quick Release | NC |
| <input type="checkbox"/> | 187AX11 | Quad Quick Release <i>(N/A with Lite Spokes)</i> | \$179 |

| Axle Plate | | | |
|--------------------------|---------|---|---------|
| <input type="checkbox"/> | 187AL18 | 12" Rear Wheel Axle Plate <i>(Only avail. w/ 12" or 16" rear wheels)</i> | STD |
| <input type="checkbox"/> | 187AL34 | Short Adjustable <i>(N/A with 12" rear wheels)</i> | NC |
| <input type="checkbox"/> | 187AL35 | Long Adjustable <i>(N/A with 12" rear wheels)</i> | NC |
| <input type="checkbox"/> | 187AL17 | One Arm Drive <i>(Avail. w/ 20", 22", 24" Mag Rear Wheels & 13"-18" width)</i> | \$1,362 |
| <input type="checkbox"/> | 187OA2 | Standard Handrim | NC |
| <input type="checkbox"/> | 187HM1 | Right | NC |
| <input type="checkbox"/> | 187HM2 | Left | NC |
| <input type="checkbox"/> | 187OA1 | Small Handrim <i>(N/A w/ 20" wheels)</i> | NC |
| <input type="checkbox"/> | 187HM1 | Right | NC |
| <input type="checkbox"/> | 187HM2 | Left | NC |

5. WHEEL LOCK / HUB LOCK

| Wheel Lock | | | |
|---|---------|-------------------------------------|----|
| <i>Wheel Locks can be ordered in combination with Hub Lock option</i> | | | |
| <input type="checkbox"/> | 187WL1 | High Mount Push | NC |
| <input type="checkbox"/> | 187WL2 | High Mount Pull | NC |
| <input type="checkbox"/> | 187WL25 | Foot Lock (may limit folding width) | NC |
| <input type="checkbox"/> | 187WL10 | Omit | NC |

| Hub Lock | | | |
|---|---------|--------------|-------|
| <i>*Only available with 12" or 16" wheels. Not avail. w/ One-Arm Drive.</i> | | | |
| <input type="checkbox"/> | 187LK01 | 12" Hub Lock | \$160 |
| <input type="checkbox"/> | 187LK02 | 16" Hub Lock | \$160 |

| Extension Handle | | | |
|--------------------------|--------|---------|------|
| <input type="checkbox"/> | 187EH1 | 6" Pair | \$72 |

6. FOOTRESTS

Hanger Mounted Footrest (Footplates Mount to Hanger Tubing)

Hanger Type

| | | | |
|--------------------------|---------|--|-------|
| <input type="checkbox"/> | 187H140 | 70° Swing In/Out Front Mount | NC |
| <input type="checkbox"/> | 187H142 | 80° Swing In/Out Front Mount | NC |
| <input type="checkbox"/> | 187H158 | 90° Swing In/Out Front Mount | NC |
| <input type="checkbox"/> | 187H9 | 70° HD Front Mount Lift-Off | NC |
| <input type="checkbox"/> | 187H10 | 80° HD Front Mount Lift-Off | NC |
| <input type="checkbox"/> | 187H11 | 90° HD Front Mount Lift-Off | NC |
| <input type="checkbox"/> | 187H161 | 90° Elevating (N/A w/ 10"-11" Wide or Z-Finity) | \$334 |

Extensions (may interfere with some seat heights & casters)

| | | | |
|--------------------------|--------|------------------|------|
| <input type="checkbox"/> | 187E23 | 2" (not mounted) | \$52 |
| <input type="checkbox"/> | 187E24 | 4" (not mounted) | \$52 |

Footplate

| | | | |
|--------------------------|--------|---|-------|
| <input type="checkbox"/> | 187F9 | Kids Angle Adjustable (N/A w/ 17"-18" widths) | NC |
| <input type="checkbox"/> | 187F8 | Adult Angle Adj. (Available with 10"-18" widths) | \$173 |
| <input type="checkbox"/> | 187F62 | Footboard (Available with 10"-16" widths) | \$227 |

Ext. Tube Mounted Footrests (Footplates Mount to Ext. Tube)

Hanger Type

| | | | |
|--------------------------|---------|--|-------|
| <input type="checkbox"/> | 187H145 | 60° Swing In/Out | NC |
| <input type="checkbox"/> | 187H139 | 70° Swing In/Out | STD |
| <input type="checkbox"/> | 187H141 | 80° Swing In/Out | STD |
| <input type="checkbox"/> | 187H159 | Articulating (N/A w/ 10"-13" composite footplates) | \$518 |
| <input type="checkbox"/> | 187H160 | Elevating (N/A w/ composite or platform footplates, or <16" width) | \$334 |

Extensions

| | | | |
|--------------------------|--------|--------------------------------|------|
| <input type="checkbox"/> | 187E1 | Short (11.5" - 14") | NC |
| <input type="checkbox"/> | 187E2 | Med (14" - 17") - (N/A w/ ELR) | NC |
| <input type="checkbox"/> | 187E5 | Long (17" - 19") | NC |
| <input type="checkbox"/> | 187E16 | High Mount | \$96 |

Footplate

| | | | |
|--------------------------|--------|--|-------|
| <input type="checkbox"/> | 187F1 | Composite (N/A In 10", 11" or 12" width) | STD |
| <input type="checkbox"/> | 187F3 | Aluminum Angle Adjustable | \$173 |
| <input type="checkbox"/> | 187F4 | Kids Angle Adjustable (N/A w/17"-18" width) | \$0 |
| <input type="checkbox"/> | 187F5 | Aluminum (Only available with elevating leg rests 14"-18") | NC |
| <input type="checkbox"/> | 187F48 | Platform Flip-Up (Available on 60°, 70°, and 80° ext. mount hangers only) | \$227 |

Articulating / Elevating Hanger Cover

| | | | |
|--------------------------|---------|----------------|-------|
| <input type="checkbox"/> | 187DI47 | Neoprene Cover | \$481 |
| <input type="checkbox"/> | 187DI48 | Gel Pad Cover | \$556 |

Z-Finity Hangers/Footrest System

Some interference may exist in certain configurations.

| | | | |
|--------------------------|---------|-----------------|-----|
| <input type="checkbox"/> | 187H162 | Z-Finity Hanger | STD |
|--------------------------|---------|-----------------|-----|

Z-Finity Footrest Mount (Must Chose see Illustration in appendix)

| | | | |
|--------------------------|---------|-------------------------------------|----|
| <input type="checkbox"/> | 187DI22 | Direct Hanger Mt/Fixed Frame - High | NC |
| <input type="checkbox"/> | 187DI23 | Direct Hanger Mt/Fixed Frame - Low | NC |
| <input type="checkbox"/> | 187DI24 | Extension Tube Mount | NC |

Z-Finity Footrest Pivot Arm

(Must Choose, use matrix in appendix for leg length)

| | | | |
|--------------------------|---------|-------------|----|
| <input type="checkbox"/> | 187DI20 | Short 2" | NC |
| <input type="checkbox"/> | 187DI21 | Long 3-1/4" | NC |

Z-Finity Footplate

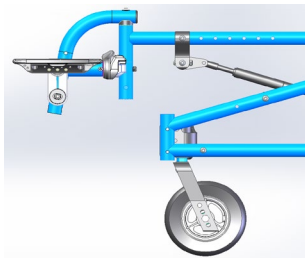
Some interference may exist in certain configurations.

| | | | |
|--------------------------|---------|--|-------|
| <input type="checkbox"/> | 187F320 | Multi Angle Adjustable - Pair (N/A w/ 8"-9" widths) | \$243 |
| <input type="checkbox"/> | 187F321 | Angle Adjustable Platform Footboard | \$228 |
| <input type="checkbox"/> | 187F6 | Omit Footplate | NC |

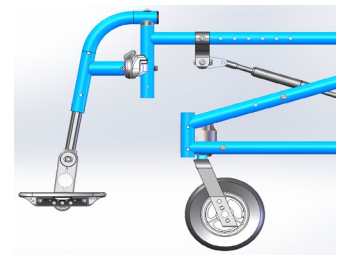
Z-Finity Extension Tube Length (When Choosing Ext. Tube Mount)

| | | | |
|--------------------------|--------|--------|----|
| <input type="checkbox"/> | 187E62 | Hemi | NC |
| <input type="checkbox"/> | 187E1 | Short | NC |
| <input type="checkbox"/> | 187E2 | Medium | NC |
| <input type="checkbox"/> | 187E5 | Long | NC |

Direct Hanger Mount



Extension Tube Mount



Direct Hanger Mounted

| Footrest Adaptor | Hanger Mounting Position | Min | Max |
|------------------|--------------------------|-------|------|
| Short | High Mount | -1.3" | 3.0" |
| | Low Mount | 2.0" | 6.3" |
| Long | High Mount | -2.5" | 4.3" |
| | Low Mount | 0.8" | 7.5" |

Extension Tube Mounted

| Footrest Adaptor | Extension Tube Length | Min | Max |
|------------------|-----------------------|------|-------|
| Short | Hemi Short | 4.3" | 12.0" |
| | Short | 5.3" | 13.0" |
| | Medium | 7.0" | 15.0" |
| | Long | 9.0" | 17.0" |
| Long | Hemi Short | 3.0" | 13.3" |
| | Short | 4.5" | 14.3" |
| | Medium | 6.0" | 16.3" |
| | Long | 8.0" | 18.3" |

Footrest Hanger Options

| | | | |
|--------------------------|---------|--|------|
| <input type="checkbox"/> | 187IG2 | Neoprene Covers (Avail. On 60° / 70°/80° ext. mount hangers only and Z-Finity except in highest mounted position). | \$60 |
| <input type="checkbox"/> | 187HL1 | Heel Loops (N/A w/ Z-Finity widths below 14") | NC |
| <input type="checkbox"/> | 187A110 | Toe Loop (Only avail. w/ adult angle adjust. Footplates N/A w/ Z-Finity) | \$42 |
| <input type="checkbox"/> | 187HL5 | Leg Strap | NC |
| <input type="checkbox"/> | 187A55 | Extra Leg Strap | \$60 |
| <input type="checkbox"/> | 187H32 | Omit Hanger | \$0 |
| <input type="checkbox"/> | 187F7 | Omit Footplate & Ext. Tube | \$0 |
| <input type="checkbox"/> | 187HL4 | Omit Heel Loop | NC |
| <input type="checkbox"/> | 187HL6 | Omit Single Leg Strap | NC |

7. BACKREST / SEATING

Backs

(Solid Back Depth = 2" Less Than Frame Depth)

| | | | |
|--------------------------|--------|--|----|
| <input type="checkbox"/> | 187PU4 | Short Solid Back 12" <i>(Requires solid seat)</i> | NC |
| <input type="checkbox"/> | 187PU5 | Med. Solid Back 14" | NC |
| <input type="checkbox"/> | 187PU6 | Tall Solid Back 16" | NC |
| <input type="checkbox"/> | 187PU9 | Omit Backrest | NC |

JAY Backs (Optional)

Ordering JAY backs on-chair, See the JAY Price List. Requires Part #

| | | | |
|--------------------------|---------|---|------------|
| <input type="checkbox"/> | 187JB02 | JAY Bundled Backrest Backrest Name or Part # | Price List |
| | | Width (in.): Height (in.): | |

Stroller Handle Back Posts - Backrests

Fixed Height

| | | | |
|--------------------------|---------|------------------------------|-------|
| <input type="checkbox"/> | 187BP9 | Low (19" Height) | NC |
| <input type="checkbox"/> | 187BP10 | Medium (22" Height) | NC |
| <input type="checkbox"/> | 187BP11 | Tall (25" Height) | NC |
| <input type="checkbox"/> | 187BP13 | Removable Extension | \$173 |
| <input type="checkbox"/> | 187RG1 | Folding Adjustable Rigidizer | \$204 |

Height Adjustable

Rigid Frame w/ Angle Adjust Push Handle

| | | | |
|--------------------------|---------|------------------------------------|----|
| <input type="checkbox"/> | 187B202 | Std. (16"-22" Height) | NC |
| <input type="checkbox"/> | 187PH8 | Std. Angle Adj. Push Handle Length | NC |
| <input type="checkbox"/> | 187PH9 | Long Angle Adj. Push Handle Length | NC |
| <input type="checkbox"/> | 187B203 | Tall (19"-25" Height) | NC |
| <input type="checkbox"/> | 187PH8 | Std. Angle Adj. Push Handle Length | NC |
| <input type="checkbox"/> | 187PH9 | Long Angle Adj. Push Handle Length | NC |

Folding Frame with Push Handle

| | | | |
|--------------------------|---------|--|------|
| <input type="checkbox"/> | 187B204 | Std. (17"-23" Height) | NC |
| <input type="checkbox"/> | 187BP47 | Swing Away Handle <i>(N/A with dual triggers)</i> | \$84 |
| <input type="checkbox"/> | 187B205 | Tall (20"-26" Height) | NC |
| <input type="checkbox"/> | 187BP47 | Swing Away Handle <i>(N/A with dual triggers)</i> | \$84 |

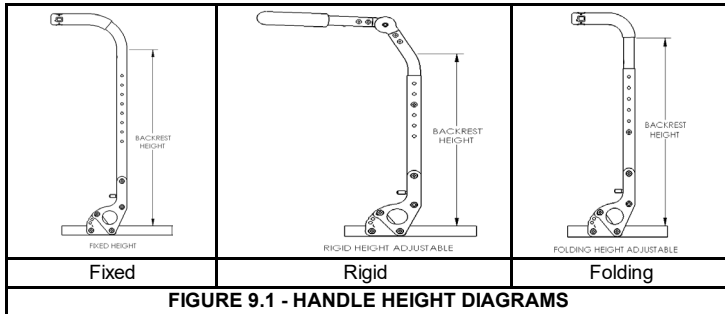


FIGURE 9.1 - HANDLE HEIGHT DIAGRAMS

8. ARMRESTS / SIDEGUARDS

Armrest and Armpad - Height Adjustable

| | | | |
|--------------------------|---------|---------------------------------------|-------|
| <input type="checkbox"/> | 187AA12 | T-Post Regular w/ Foam | NC |
| <input type="checkbox"/> | 187AA13 | T-Post Tall w/ Foam | NC |
| <input type="checkbox"/> | 187AA3 | Flip-Up | NC |
| <input type="checkbox"/> | 187AA1 | Adjustable Locking Flip-Up | \$334 |
| <input type="checkbox"/> | 187AA7 | Length Adjust. Locking Flip-Up | \$334 |
| <input type="checkbox"/> | 187AM23 | Desk Length - 10" | NC |
| <input type="checkbox"/> | 187AM24 | Full Length 14" | NC |
| <input type="checkbox"/> | 187AM9 | Foam Short (N/A w/ T-Post) | NC |
| <input type="checkbox"/> | 187AM10 | Foam Long (N/A w/ T-Post) | NC |

Armrest Receiver for Height Adjustable Armrest

| | | | |
|--------------------------|---------|------------------------------------|----|
| <input type="checkbox"/> | 187AR17 | Low (N/A w/ 20", 22" & 24" wheels) | NC |
| <input type="checkbox"/> | 187AR18 | Standard | NC |

Side Guard

(N/A with height adjustable armrests or T-Post armrests)

| | | | |
|--------------------------|---------|-------------|-------|
| <input type="checkbox"/> | 187SG33 | Plastic Std | \$185 |
| <input type="checkbox"/> | 187SG29 | Plastic Low | \$185 |

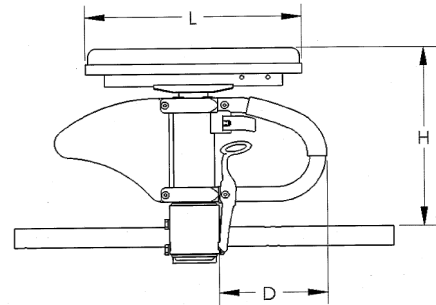
Armrest - Height Adjustable

| | | | |
|--------------------------|---------|-------------------------------------|-------|
| <input type="checkbox"/> | 187AA11 | Single-Post Height Adj. Std. | \$334 |
| <input type="checkbox"/> | 187AM23 | Desk Classic | NC |
| <input type="checkbox"/> | 187AM21 | Desk Contour | NC |
| <input type="checkbox"/> | 187AM24 | Full Classic | NC |
| <input type="checkbox"/> | 187AM22 | Full Contour | NC |
| <input type="checkbox"/> | 187AA29 | Single-Post Height Adj. Low | \$334 |
| <input type="checkbox"/> | 187AM23 | Desk Classic | NC |
| <input type="checkbox"/> | 187AM21 | Desk Contour | NC |
| <input type="checkbox"/> | 187AM24 | Full Classic | NC |
| <input type="checkbox"/> | 187AM22 | Full Contour | NC |

| Armrest Size | Transfer Tube Length (D) | Receiver | CLASSIC PAD | | |
|--------------|--------------------------|----------|--------------------|----------------|------|
| | | | Height Range (H) | Pad Length (L) | |
| | | | | Desk | Full |
| STD | 8" | STD | 10-3/4" to 15-3/4" | 10-1/4" | 14" |
| | | LOW | 8-3/4" to 13-3/4" | | |
| LOW | 5-1/4" | STD | 9" to 13" | 10-1/4" | 14" |
| | | LOW | 7-1/4" to 11-1/4" | | |

| Armrest Size | Transfer Tube Length (D) | Receiver | CONTOUR PAD | | |
|--------------|--------------------------|----------|-------------------|----------------|---------|
| | | | Height Range (H) | Pad Length (L) | |
| | | | | Desk | Full |
| STD | 8" | STD | 10" to 15" | 10-1/2" | 14-1/4" |
| | | LOW | 8-1/4" to 12-1/2" | | |
| LOW | 5-1/4" | STD | 8-1/2" to 12-1/2" | 10-1/2" | 14-1/4" |
| | | LOW | 6-3/4" to 10-3/4" | | |

Armrest Matrix for Single-Post



9. KEY OPTIONS

Back Pack (Kids Backpack included)

| | | | |
|--------------------------|-------|--------------------------------|-------|
| <input type="checkbox"/> | 187A1 | Utility Backpack - Black | \$110 |
| <input type="checkbox"/> | 187A2 | Additional Kids Black Backpack | \$103 |

Seat Pouch

| | | | |
|--------------------------|-------|-------|------|
| <input type="checkbox"/> | 187A8 | Black | \$82 |
|--------------------------|-------|-------|------|

Miscellaneous

| | | | |
|--------------------------|--------|----------|------|
| <input type="checkbox"/> | 187A83 | Tool Kit | \$42 |
|--------------------------|--------|----------|------|

Spoke Guard

(N/A with 12" and 16" rear wheels & Projections Handrims)

| | | | |
|--------------------------|--------|--------------|-------|
| <input type="checkbox"/> | 187A23 | Black | \$155 |
| <input type="checkbox"/> | 187A24 | Clear Zippie | \$155 |

Anti Tips

| | | | |
|--------------------------|--------|--|-------|
| <input type="checkbox"/> | 187AO1 | Front Anti-Tip (N/A with caster pin locks) (N/A with transit option) | \$155 |
| <input type="checkbox"/> | 187AT1 | Rear Anti-Tip | \$119 |

Positioning Belt (w/ clamps)

| | | | |
|--------------------------|---------|----------------------------------|-------|
| <input type="checkbox"/> | 187A112 | 1" Dual Pull Side Squeeze Padded | \$130 |
| <input type="checkbox"/> | 187A117 | Belt 2" Aircraft Buckle | \$137 |
| <input type="checkbox"/> | 187A118 | Belt 2" Aircraft Buckle Padded | \$201 |
| <input type="checkbox"/> | 187A141 | Belt 1.5" Auto Buckle w/ clamps | \$96 |
| <input type="checkbox"/> | 187A814 | 1" Comfort Fit APB5116 | \$144 |

Canopy (SunShade)

(Need 2" back post clearance to mount canopy hardware, may require next height based on seating; please note some interference may occur with some headrest configurations)

| | | | |
|--------------------------|--------|---------------------------------|-------|
| <input type="checkbox"/> | 187A06 | Canopy (Sunshade) 10"-14" Width | \$422 |
| <input type="checkbox"/> | 187A07 | Canopy (Sunshade) 15"-20" Width | \$422 |

Upper Extremity Support Tray

When ordering a tray with full armrest or desk armrest pads, add 1" to seat width to determine best tray size.

| | | | |
|--------------------------|--------|--------------------------------|-------|
| <input type="checkbox"/> | 187A29 | X-Sm (Suggested 10"-12" Width) | \$375 |
| <input type="checkbox"/> | 187A30 | Sm (Suggested 13"-14" Width) | \$375 |
| <input type="checkbox"/> | 187A31 | Med (Suggested 15"-17" Width) | \$375 |
| <input type="checkbox"/> | 187A32 | Lrg (Suggested 18"-20" Width) | \$375 |

10. FRAME COLOR

Standard Colors

| | | | |
|--------------------------|---------|------------------------------|----|
| <input type="checkbox"/> | 187C140 | Aztec Gold | NC |
| <input type="checkbox"/> | 187C2 | Black (N/A as base w/ Zebra) | NC |
| <input type="checkbox"/> | 187C141 | Black Cherry | NC |
| <input type="checkbox"/> | 187C10 | Black Opal | NC |
| <input type="checkbox"/> | 187C38 | Blue Opal | NC |
| <input type="checkbox"/> | 187C36 | Candy Blue | NC |
| <input type="checkbox"/> | 187C14 | Candy Purple | NC |
| <input type="checkbox"/> | 187C35 | Candy Red | NC |
| <input type="checkbox"/> | 187C142 | Electric Blue | NC |
| <input type="checkbox"/> | 187C143 | Evergreen | NC |
| <input type="checkbox"/> | 187C126 | Glow | NC |
| <input type="checkbox"/> | 187C144 | Green Apple | NC |
| <input type="checkbox"/> | 187C147 | Hot Sparkle Pink | NC |
| <input type="checkbox"/> | 187C148 | Mauve Pink | NC |
| <input type="checkbox"/> | 187C103 | Rootbeer | NC |
| <input type="checkbox"/> | 187C114 | Sparkle Silver | NC |
| <input type="checkbox"/> | 187C145 | Sunrise Orange | NC |
| <input type="checkbox"/> | 187C113 | Titanium Color Paint | NC |
| <input type="checkbox"/> | 187C8 | Yellow | NC |

Standard Matte Colors

| | | | |
|--------------------------|---------|---------------------|----|
| <input type="checkbox"/> | 187C116 | Matte Black | NC |
| <input type="checkbox"/> | 187C151 | Matte Black Cherry | NC |
| <input type="checkbox"/> | 187C152 | Matte Purple | NC |
| <input type="checkbox"/> | 187C150 | Matte Electric Blue | NC |
| <input type="checkbox"/> | 187C149 | Matte Evergreen | NC |

Personalized Colors

| | | | |
|--------------------------|---------|---|-------|
| <input type="checkbox"/> | 187C43 | Mossy Oak Camouflage | \$363 |
| <input type="checkbox"/> | 187C42 | Stars and Stripes | \$363 |
| <input type="checkbox"/> | 187C108 | Zebra (Choose base color above: White Std. N/A black, black opal, matte black or titanium) | \$363 |

Additional Options Through Built-4-Me

To inquire about any unique personalization for Zippie products, contact: Phone: (800) 263-3390, Email cscanada@sunmed.com



Commonly Requested Options Include:

- ✓ Dynamic Back
- ✓ Reclining Backrest
- ✓ Personalized Anodizing
- ✓ Personalized Paint
- ✓ O2 Holder with Transit
- ✓ IV Pole with Transit



Sunrise Medical Canada Inc.
237 Romina Drive, Unit 3 • Concord, ON L4K 4V3 • Canada