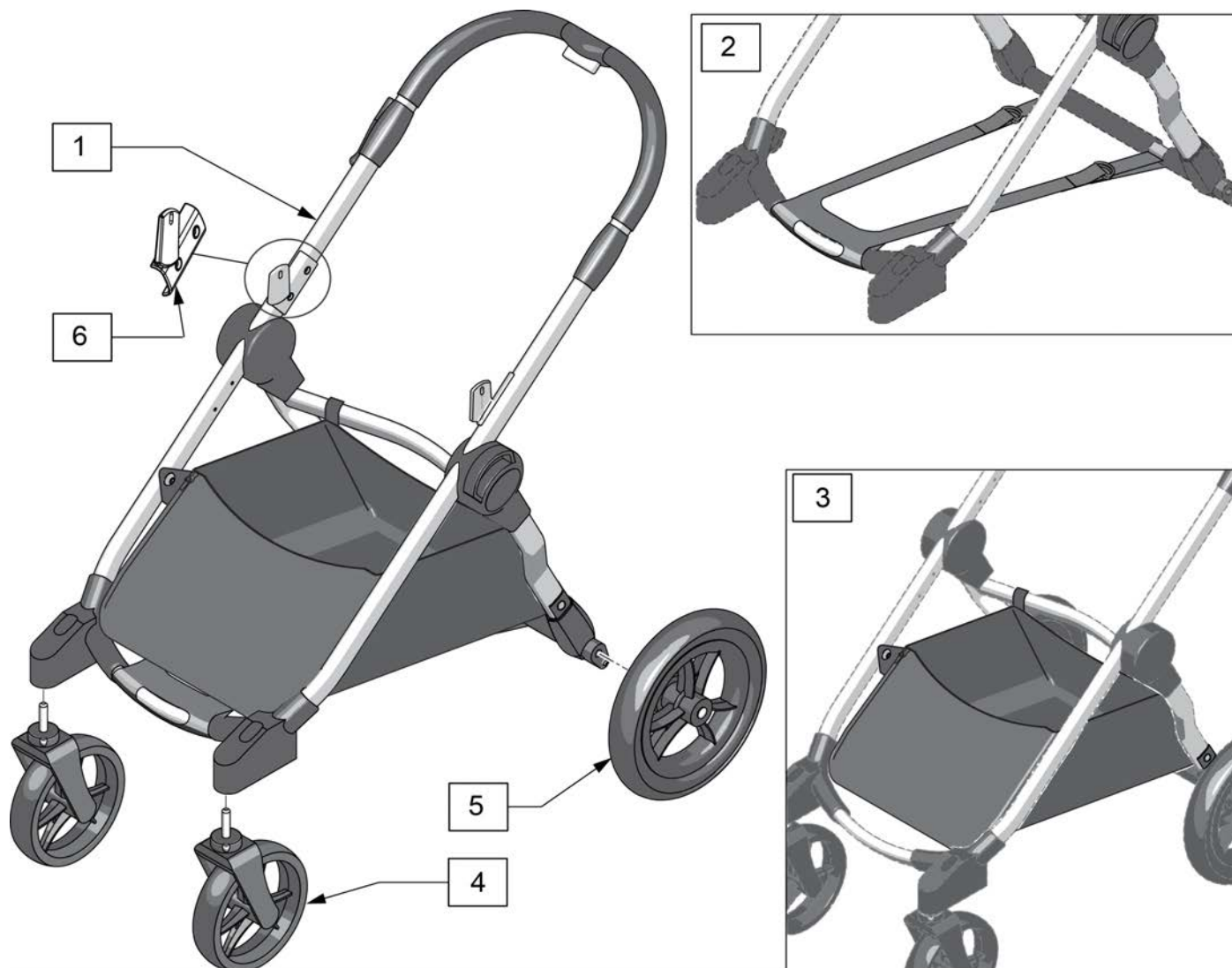


A large, faded, light-blue image of a mechanical component, possibly a pulley or a part of a belt drive system, is centered in the background. It shows a circular part with a central hole and a smaller hole on the side, connected to a larger, more complex structure.

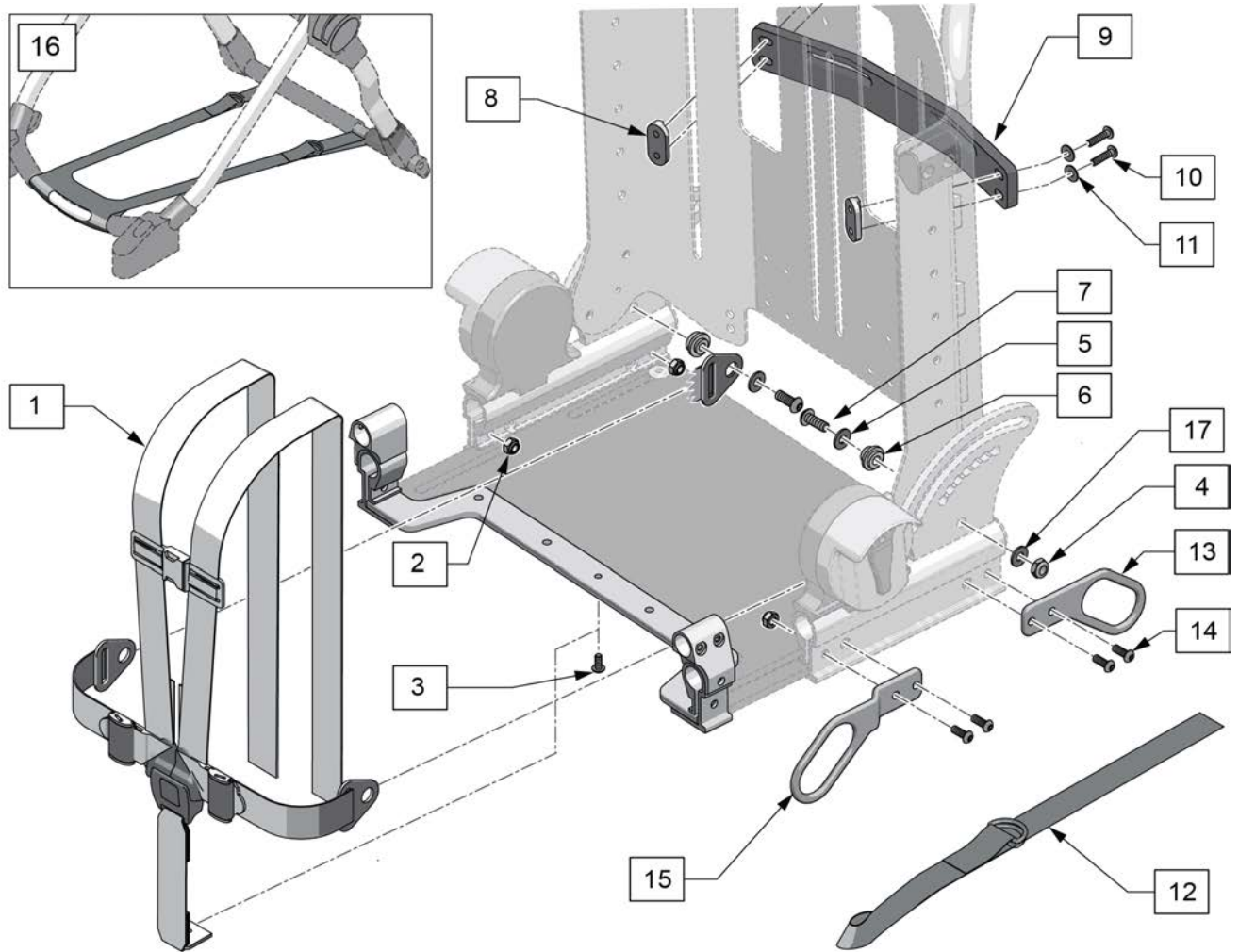
voyage
PARTS MANUAL

JUNE 2015

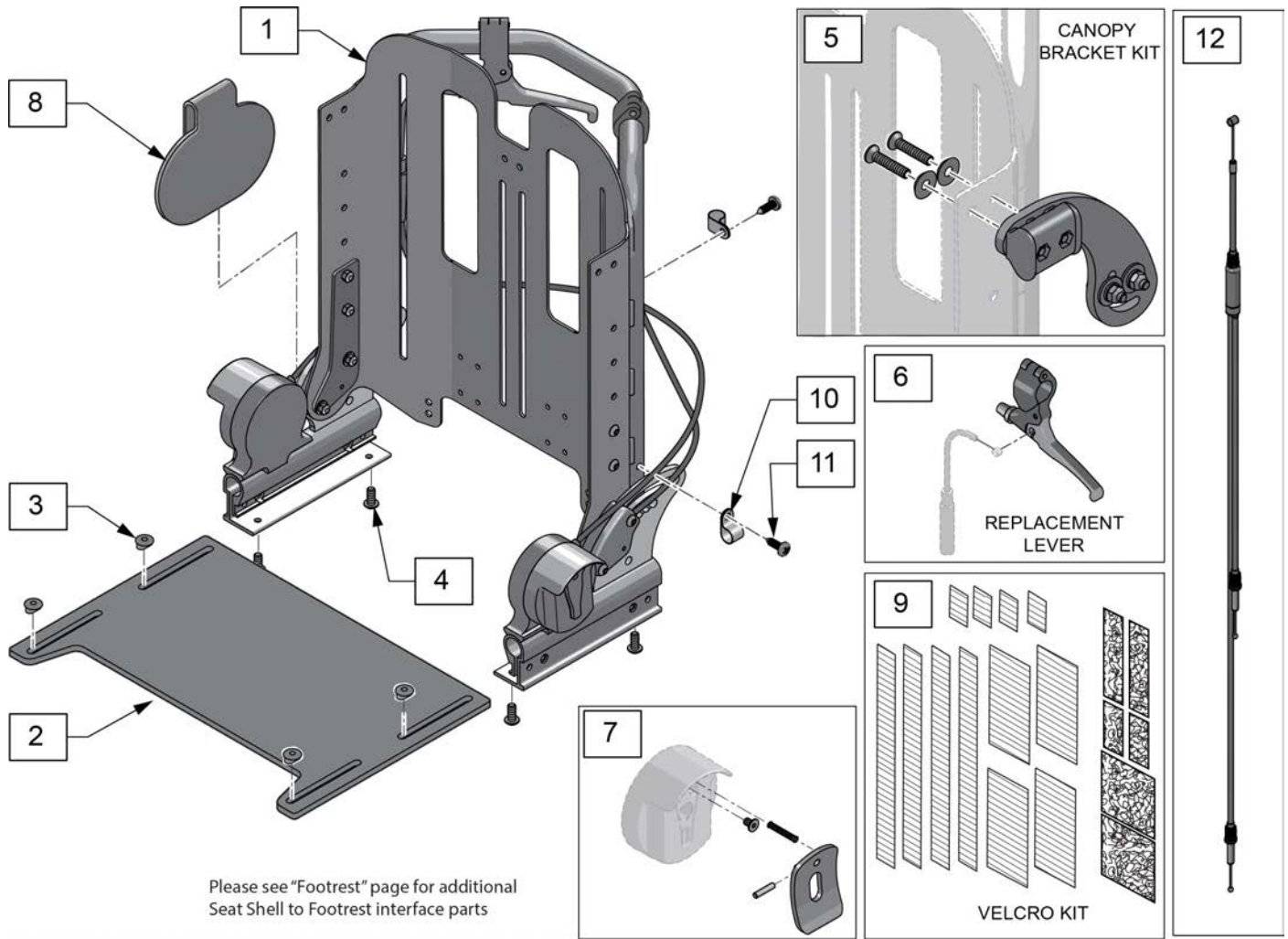
ZIPPIE VOYAGE	3
BASE	3
BASE	3
TRANSIT KIT	3
TRANSIT KIT	4
SEATING	4
SEATING SHELL	4
RECLINE BACK SHELL	5
FIXED BACK SHELL	7
FOOTREST	9
SHELL FABRIC	10
CANOPY	11
SEAT PADS	12
SEATING CUSHIONS	13
ADJUSTABLE SEATING CUSHIONS	14
SEAT CUSHION LATERAL KIT	15
BACK PADS	15
T BACK CUSHION	16
HEADRESTS	16
HEADREST BRACKET	17
HEADRESTS	18
DYNAMIC FOREHEAD STRAP	19
SUPPORT	19
SWING-AWAY LATERAL ASSMBLY	20
FIXED LATERAL ASSMBLY	21
LATERAL HIP SUPPORT	22
LATERAL THIGH SUPPORT	23
MEDIAL SUPPORT	24
ANTERIOR TRUNK SUPPORT	25
POSITIONING BELTS	26
ACCESSORIES	26
VOYAGE BOOSTER BASE	27
SHOE HOLDER ASSEMBLY	28
UPPER EXTREMITY SUPPORT TRAY	29
VENT TRAYS	29
VENT AND BATTERY TRAY	30
VERTICAL MOUNT VENT TRAY	31
FRONT MOUNT UTILITY PLATFORM	32
O2 AND IV HOLDERS	32
O2 HOLDER	33
IV POLE ASSEMBLY W/BASE	34
O2 HOLDER AND IV ASSEMBLY	35
VOYAGE RAINCAPE	36
VOYAGE ACCESSORIES	37



Pos.	Item Number	Description	Remarks
1,2,4,5,6	125809	VOYAGE BASE RPO	Frame, Strap, Casters & Wheels
2	125810	BASE SUPPORT STRAP STROLLER	
3	125814	CLOTH UNDERSEAT BASKET STRLR	
4	125811	FRONT CASTER STROLLER	
5	125812	REAR WHEEL LEFT STROLLER	
5	125813	REAR WHEEL RIGHT STROLLER	
6	130303	STROLLER SEAT MOUNT PURCH RH	
6	130304	STROLLER SEAT MOUNT PURCH LH	



Pos.	Item Number	Description
1-17	125829	VOYAGE TRANSIT KIT
1,3-7,17	126040	5 POINT HARNESS W/HARDWARE
8-11	126041	SHOULDER STRAP ADJ BAR W/HDWR



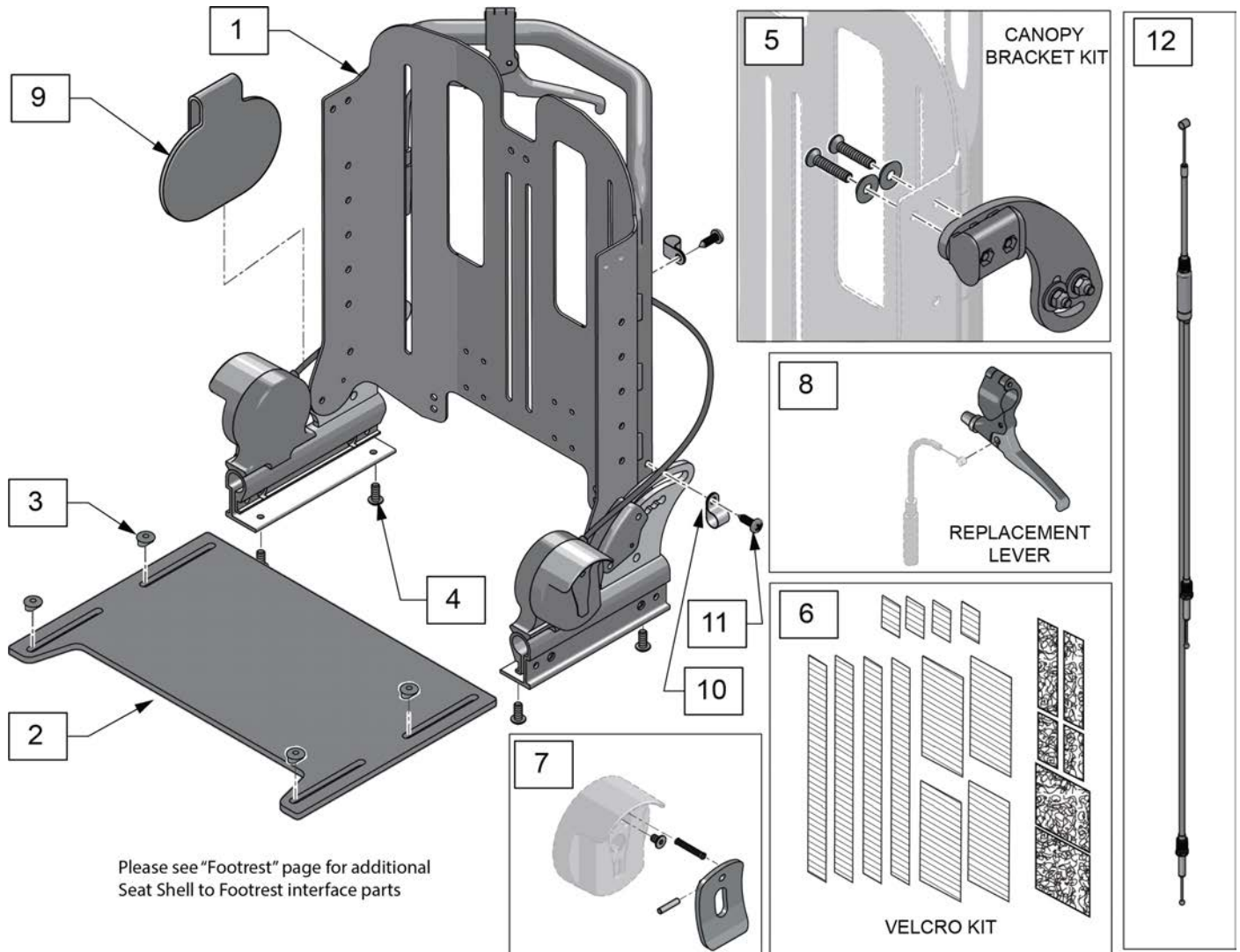
Please see "Footrest" page for additional Seat Shell to Footrest interface parts

Pos.	Item Number	Description	Remarks
1	125815	SHORT BACK ASSEMBLY RECLINE	
1	125816	TALL BACK ASSEMBLY RECLINE	
2-4	125819	ADJ SEAT PAN W/ HDWR	
5	127734	CANOPY BRCKT 3UP 3FD ASSY LH	
5	127735	CANOPY BRCKT 3UP 3FD ASSY RH	
6	125821	LEVER TILT OR RECLINE	
7	126193	SEAT BASE LATCH KIT	Each
8	125823	STROLLER SIDE FRAME COVER PR	Pair
9	125822	VELCRO REPLACEMENT KIT	
10,11	126401	CABLE ROUTE CLIP KIT (4)	4 P-clips, 4 screws
12	103500	TILT CABLE ASSEMBLY KIT	replacement cable for tilt only

(03/2014)

Note: Beginning 08/01/2013 S/N ZV-001623 chairs shipped with Cable Clips installed.

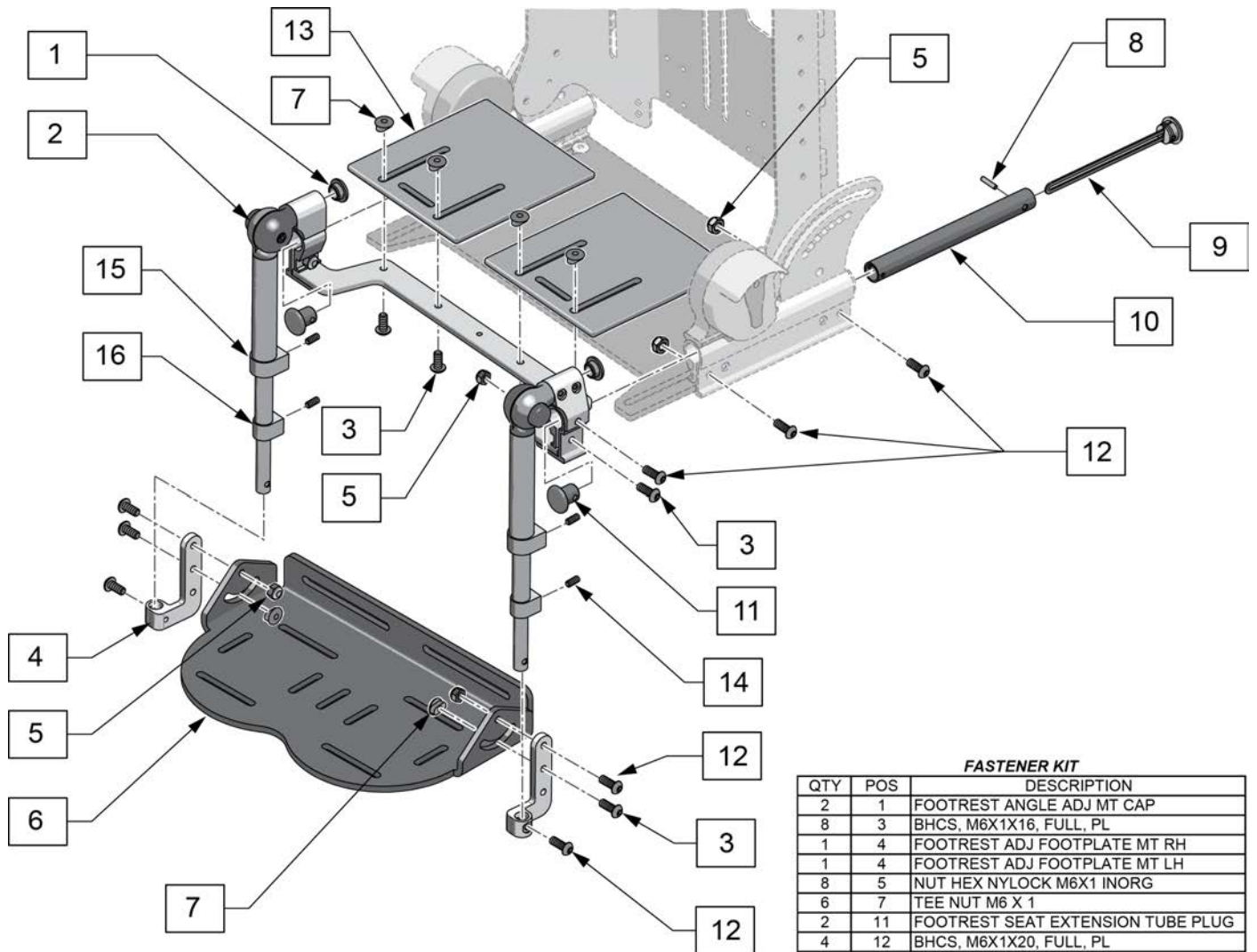
Note: Beginning 09/13/2013 the Seat Latch Design was enhanced. If replacing Seat Latch Kit on chairs shipping prior to 09/13/2013. please replace both sides.



Pos.	Item Number	Description	Remarks
1	125817	SHORT BACK ASSEMBLY FIXED	
1	125818	TALL BACK ASSEMBLY FIXED	
2-4	125819	ADJ SEAT PAN W/ HDWR	
5	127734	CANOPY BRCKT 3UP 3FD ASSY LH	
5	127735	CANOPY BRCKT 3UP 3FD ASSY RH	
6	125822	VELCRO REPLACEMENT KIT	
7	126193	SEAT BASE LATCH KIT	Each
8	125821	LEVER TILT OR RECLINE	
9	125823	STROLLER SIDE FRAME COVER PR	Pair
10,11	126401	CABLE ROUTE CLIP KIT (4)	4 P-clips, 4 screws
12	103500	TILT CABLE ASSEMBLY KIT	replacement cable for tilt only

(03/2014)

Note: Beginning 08/01/2013 S/N ZV-001623 chairs shipped with Cable Clips installed.

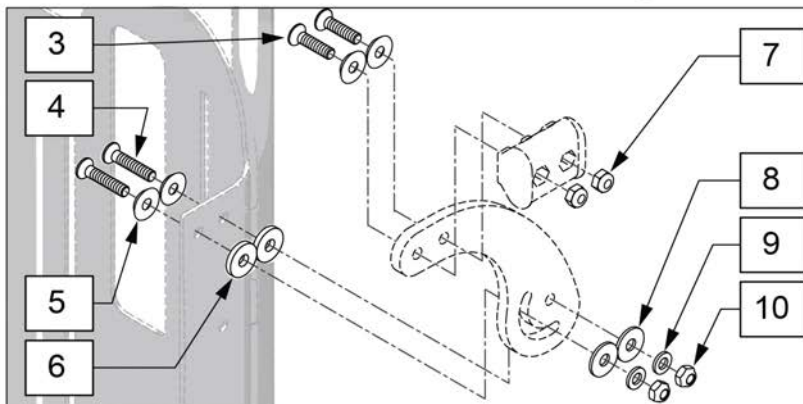
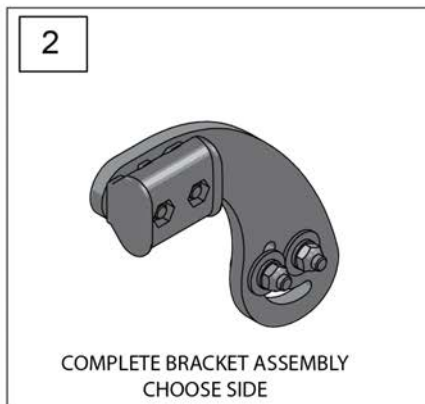


FASTENER KIT		
QTY	POS	DESCRIPTION
2	1	FOOTREST ANGLE ADJ MT CAP
8	3	BHCS, M6X1X16, FULL, PL
1	4	FOOTREST ADJ FOOTPLATE MT RH
1	4	FOOTREST ADJ FOOTPLATE MT LH
8	5	NUT HEX NYLOCK M6X1 INORG
6	7	TEE NUT M6 X 1
2	11	FOOTREST SEAT EXTENSION TUBE PLUG
4	12	BHCS, M6X1X20, FULL, PL

Pos.	Item Number	Description
1-3,5,11	125825	FOOTREST MAIN EXT ASSM W/ HDWR
3-7,12	125826	FOOTREST PLATE ASSM W/ HDWR
8-12	125824	FOOTREST SEAT EXT STOP ASSM
1,3,4,7,10-12	125828	FOOTREST FASTENER KIT
3,7,13	125827	FOOTREST LEG PLATES W/ HDWR PR
14	126893	FR EXT CLAMP SET SCREW (2)
14,15	126891	FR EXT UPPER CLAMP & SET SCREW
14,16	126892	FR EXT LOWER CLAMP & SET SCREW

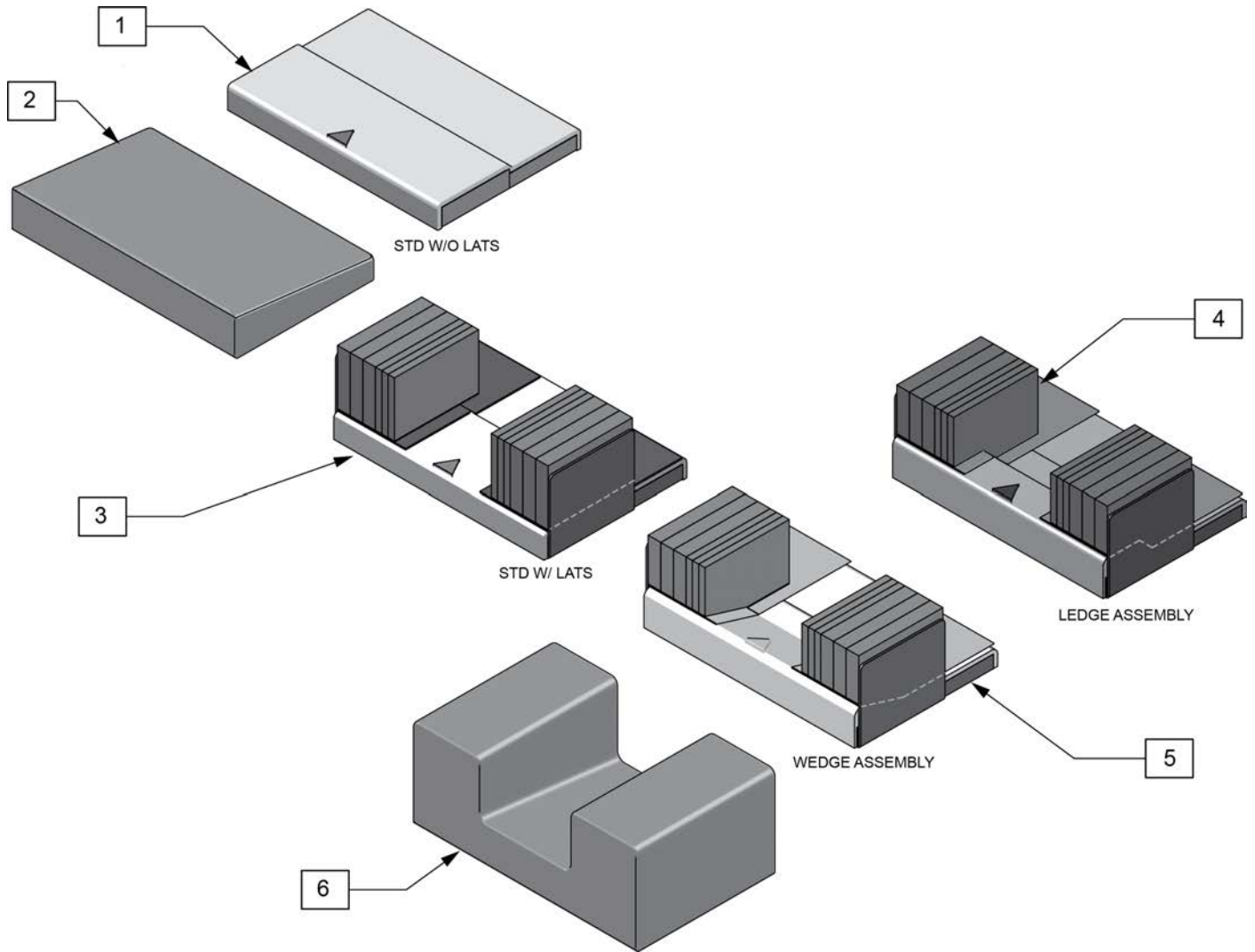


Pos.	Item Number	Description
1	125917	SHELL FABRIC SHORT PURPLE
1	125918	SHELL FABRIC TALL PURPLE
1	125919	SHELL FABRIC SHORT PINK SORBET
1	125920	SHELL FABRIC TALL PINK SORBET
1	125921	SHELL FABRIC SHORT GREEN
1	125922	SHELL FABRIC TALL GREEN
1	125923	SHELL FABRIC SHORT NAVY BLUE
1	125924	SHELL FABRIC TALL NAVY BLUE
1	125925	SHELL FABRIC SHORT ORANGE
1	125926	SHELL FABRIC TALL ORANGE
1	125927	SHELL FABRIC SHORT RED
1	125928	SHELL FABRIC TALL RED
1	125929	SHELL FABRIC SHORT BLACK
1	125930	SHELL FABRIC TALL BLACK
1	125931	SHELL FABRIC SHORT TURQUOIS
1	125932	SHELL FABRIC TALL TURQUOIS
1	125933	SHELL FABRIC SHORT BURGUNDY
1	125934	SHELL FABRIC TALL BURGUNDY

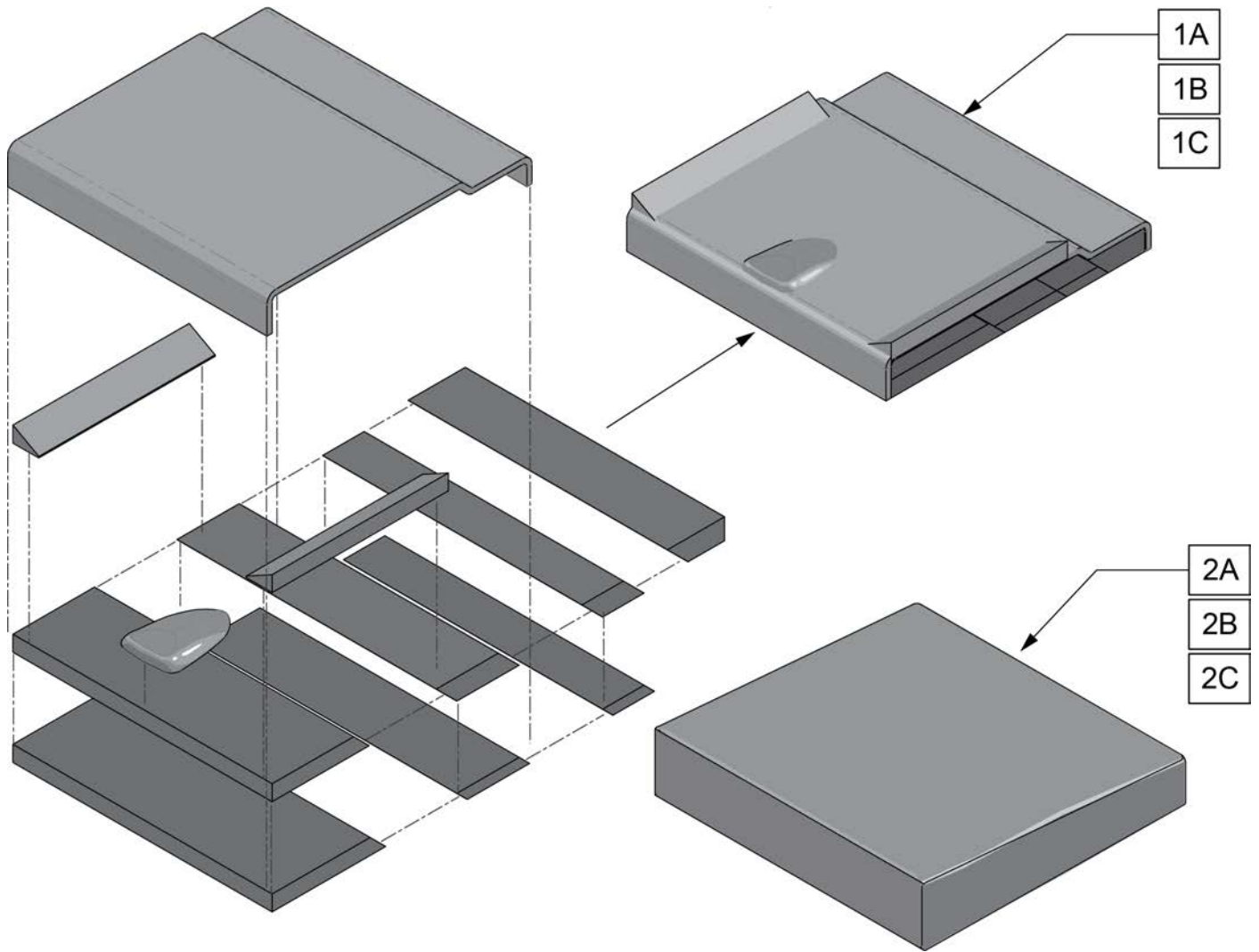


Pos.	Item Number	Description	Pos.	Item Number	Description
1A	125935	CNPY CNTR STRP PURPLE	1A	125953	CNPY CNTR STRP RED RACE/PINK
1A	125936	CNPY CNTR STRP PINK SORBET	1A	125954	CNPY CNTR STRP RED RACE/GREEN
1A	125937	CNPY CNTR STRP GREEN	1A	125955	CNPY CNTR STRP RED RACE/NAVY
1A	125938	CNPY CNTR STRP NAVY BLUE	1A	125956	CNPY CNTR STRP RED RACE/ORANGE
1A	125939	CNPY CNTR STRP ORANGE	1A	125957	CNPY CNTR STRP RED RACE/BLACK
1A	125940	CNPY CNTR STRP BLACK	1A	125958	CNPY CNTR STRP RED RACE/TURQ
1A	125941	CNPY CNTR STRP TURQUOISE	1A	125959	CNPY CNTR STRP RED RACE/BRGNDY
1A	125942	CNPY CNTR STRP BURGUNDY	1A	125960	CNPY CNTR STRP LEOPARD/BLACK
1A	125943	CNPY CNTR STRP BTRFLY/PURPLE	1A	125961	CNPY CNTR STRP LEOPARD/PURPLE
1A	125944	CNPY CNTR STRP BTRFLY/PINK	1A	125962	CNPY CNTR STRP LEOPARD/PINK
1A	125945	CNPY CNTR STRP BTRFLY/GREEN	1A	125963	CNPY CNTR STRP LEOPARD/GREEN
1A	125946	CNPY CNTR STRP BTRFLY/NAVY	1A	125964	CNPY CNTR STRP LEOPARD/NAVY
1A	125947	CNPY CNTR STRP BTRFLY/ORANGE	1A	125965	CNPY CNTR STRP LEOPARD/ORANGE
1A	125948	CNPY CNTR STRP BTRFLY/BLACK	1A	125966	CNPY CNTR STRP LEOPARD/TURQ
1A	125949	CNPY CNTR STRP BTRFLY/TURQ	1A	125967	CNPY CNTR STRP LEOPARD/BRGNDY
1A	125950	CNPY CNTR STRP BTRFLY/BRGNDY	1B	125968	CNPY CROSSOVER PURPLE
1A	125951	CNPY CNTR STRP RED RACE/RED	1B	125969	CNPY CROSSOVER PINK SORBET
1A	125952	CNPY CNTR STRP RED RACE/PURPLE	1B	125970	CNPY CROSSOVER GREEN

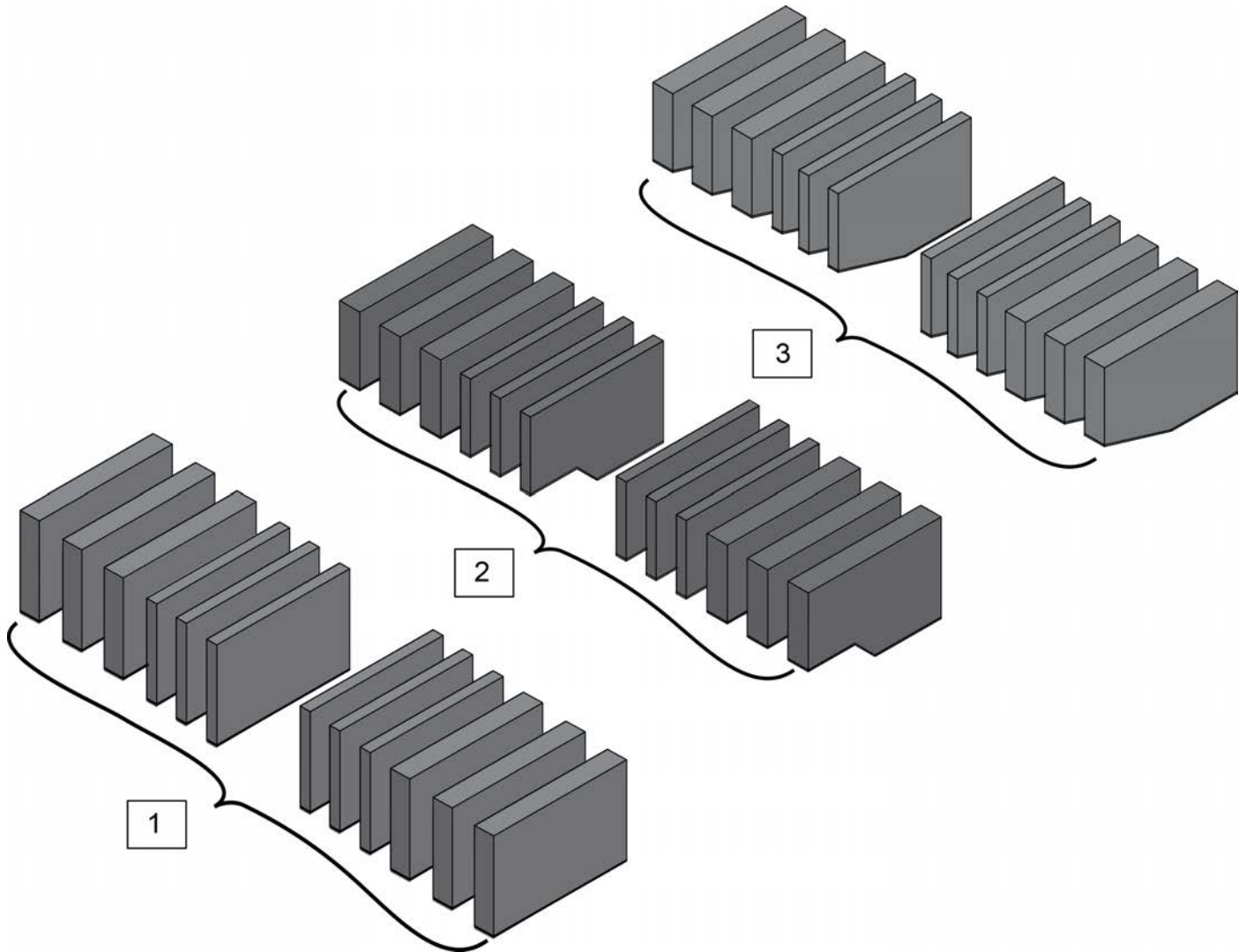
Pos.	Item Number	Description	Pos.	Item Number	Description
1B	125971	CNPY CROSSOVER NAVY BLUE	1B	125991	CNPY CROSSOVER RED RACE/TURQ
1B	125972	CNPY CROSSOVER ORANGE	1B	125992	CNPY CROSSOVER RED RACE/BRGNDY
1B	125973	CNPY CROSSOVER BLACK	1B	125993	CNPY CROSSOVER LEOPARD/BLACK
1B	125974	CNPY CROSSOVER TURQUOISE	1B	125994	CNPY CROSSOVER LEOPARD/PURPLE
1B	125975	CNPY CROSSOVER BURGUNDY	1B	125995	CNPY CROSSOVER LEOPARD/PINK
1B	125976	CNPY CROSSOVER BTRFLY/PURPLE	1B	125996	CNPY CROSSOVER LEOPARD/GREEN
1B	125977	CNPY CROSSOVER BTRFLY/PINK	1B	125997	CNPY CROSSOVER LEOPARD/NAVY
1B	125978	CNPY CROSSOVER BTRFLY/GREEN	1B	125998	CNPY CROSSOVER LEOPARD/ORANGE
1B	125979	CNPY CROSSOVER BTRFLY/NAVY	1B	125999	CNPY CROSSOVER LEOPARD/TURQ
1B	125980	CNPY CROSSOVER BTRFLY/ORANGE	1B	125600	CNPY CROSSOVER LEOPARD/BRGNDY
1B	125981	CNPY CROSSOVER BTRFLY/BLACK	2	127734	CANOPY BRCKT 3UP 3FD ASSY LH
1B	125982	CNPY CROSSOVER BTRFLY/TURQ	2	127735	CANOPY BRCKT 3UP 3FD ASSY RH
1B	125983	CNPY CROSSOVER BTRFLY/BRGNDY	3	103500-009	CANOPY ATTACHMENT HDWR
1B	125984	CNPY CROSSOVER RED RACE/RED	4	102265-003	FHCS M6X1X25 FULL NP
1B	125985	CNPY CROSSOVER RED RACE/PURPLE	5	000 138 017	ROSETTE FOR M6 STEEL
1B	125986	CNPY CROSSOVER RED RACE/PINK	6	561026	3/4" WASHER 1/4" HOLE
1B	125987	CNPY CROSSOVER RED RACE/GREEN	7	104381	NUT HEX NYLOCK M6X1.0
1B	125988	CNPY CROSSOVER RED RACE/NAVY	8	011111	WASHER M6 X 18 REGULAR BLK
1B	125989	CNPY CROSSOVER RED RACE/ORANGE	9	107383	WASHER FLAT M6 ROHS
1B	125990	CNPY CROSSOVER RED RACE/BLACK	10	210084	NUT HEX NYLOCK M6 BLACK



Pos.	Item Number	Description
1,2	125546	STD W/O LATS ASSY SHORT
1,2	125549	STD W/O LATS ASSY MEDIUM
1,2	125551	STD W/O LATS ASSY LONG
2	125544	COVER CUSH W/O LATS SHORT
2	125547	COVER CUSH W/O LATS MEDIUM
2	125548	COVER CUSH W/O LATS LONG
6	125550	COVER CUSH WITH LATS SHORT
3,6	125552	STD W/ LATS ASSY SHORT
3,6	125554	STD W/ LATS ASSY MEDIUM
3,6	125556	STD W/ LATS ASSY LONG
5,6	125558	WEDGE ASSEMBLY SHORT
5,6	125559	WEDGE ASSEMBLY MEDIUM
5,6	125561	WEDGE ASSEMBLY LONG
4,6	125536	LEDGE ASSEMBLY SHORT
4,6	125537	LEDGE ASSEMBLY MEDIUM
4,6	125542	LEDGE ASSEMBLY LONG
6	125553	COVER CUSH WITH LATS MED
6	125555	COVER CUSH WITH LATS LONG

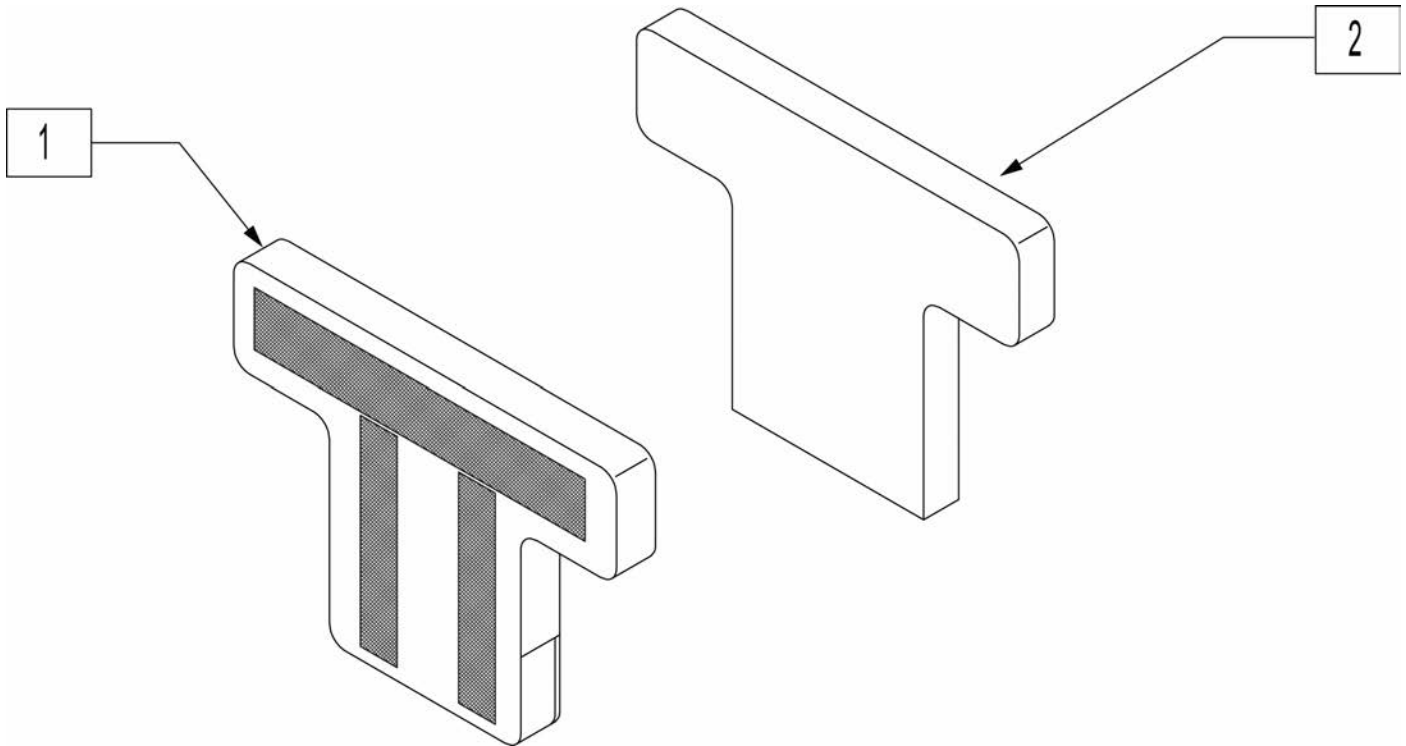


Pos.	Item Number	Description
1A,2A	125533	ADJ CONT SHRT ASSY SOFT
1A,2A	125534	ADJ CONT SHRT ASSY MED/SOFT
1A,2A	125535	ADJ CONT SHRT ASSY MED
1B,2B	125538	ADJ CONT MED ASSY SOFT
1B,2B	125539	ADJ CONT MED ASSY MED/SOFT
1B,2B	125540	ADJ CONT MED ASSY MED
1C,2C	125541	ADJ CONT LONG ASSY SOFT
1C,2C	125543	ADJ CONT LONG ASSY MED/SOFT
1C,2C	125545	ADJ CONT LONG ASSY MED
2A	125830	ADJ CONTOUR COVER SHORT
2B	125831	ADJ CONTOUR COVER MEDIUM
2C	125832	ADJ CONTOUR COVER LONG

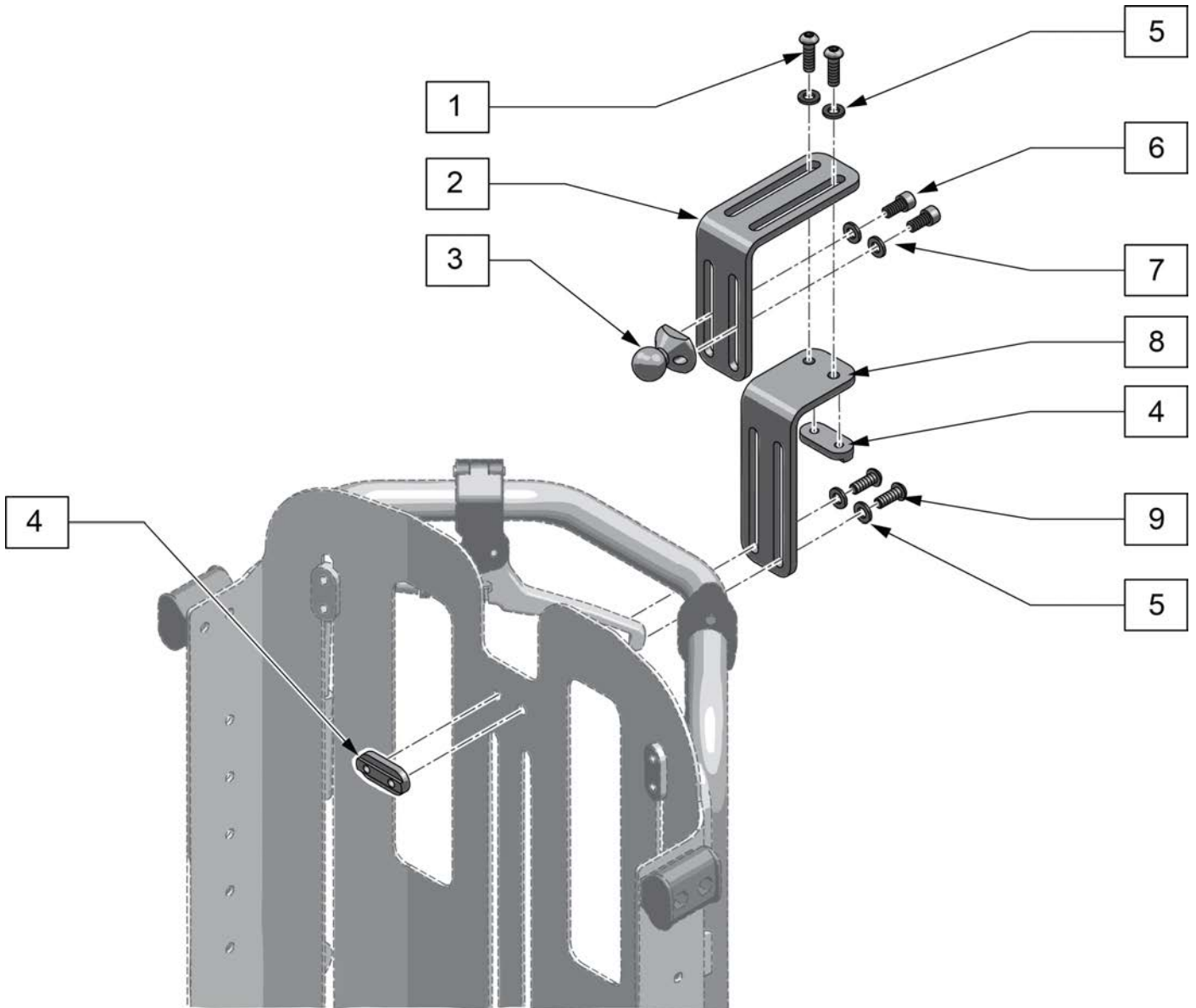


Pos.	Item Number	Description
1	125557	STD W/ LAT CUSHION LATERAL KIT
2	125560	WEDGE CUSHION LATERAL KIT
3	125562	LEDGE CUSHION LATERAL KIT

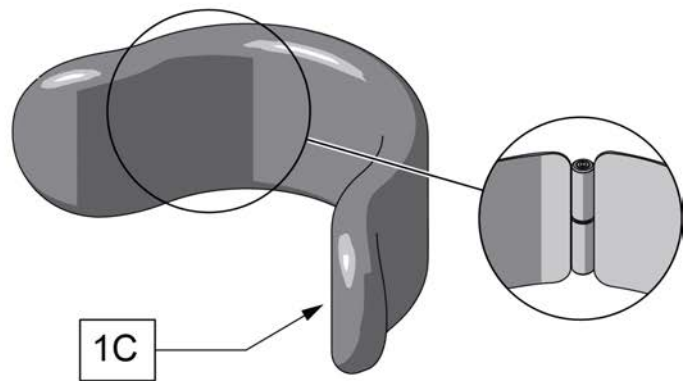
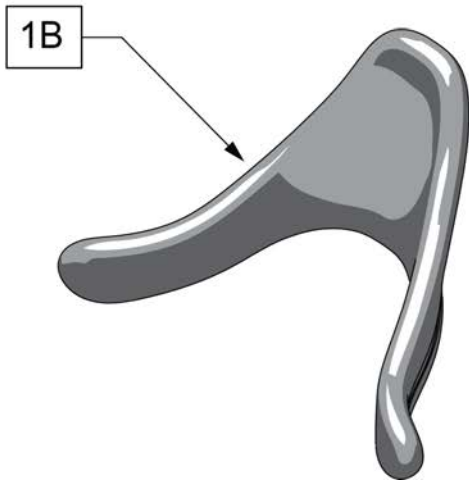
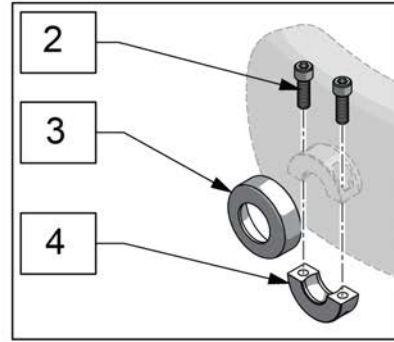
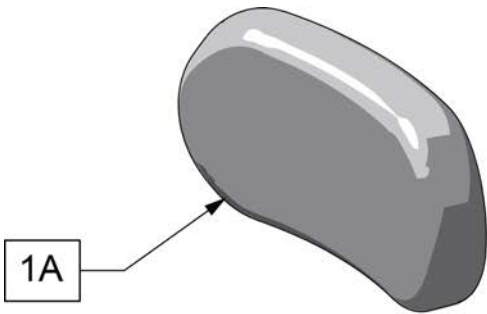
Note: All Lateral Kits include (6) 3/4" Laterals and (6) 3/8" Laterals in long. Can be cut to size.



Pos.	Item Number	Description
1	125833	T BACK COVER 1 INCH SHORT
1	125834	T BACK COVER 1 INCH MEDIUM
1	125835	T BACK COVER 1 INCH TALL
1	125836	T BACK COVER 1 INCH XTALL
1	125837	T BACK COVER 2.5 INCH SHORT
1	125838	T BACK COVER 2.5 INCH MEDIUM
1	125839	T BACK COVER 2.5 INCH TALL
1	125840	T BACK COVER 2.5 INCH XTALL
1,2	125841	T BACK ASSM 1 INCH SHORT
1,2	125842	T BACK ASSM 1 INCH MEDIUM
1,2	125843	T BACK ASSM 1 INCH TALL
1,2	125844	T BACK ASSM 1 INCH XTALL
1,2	125845	T BACK ASSM 2.5 INCH SHORT
1,2	125846	T BACK ASSM 2.5 INCH MEDIUM
1,2	125847	T BACK ASSM 2.5 INCH TALL
1,2	125848	T BACK ASSM 2.5 INCH XTALL

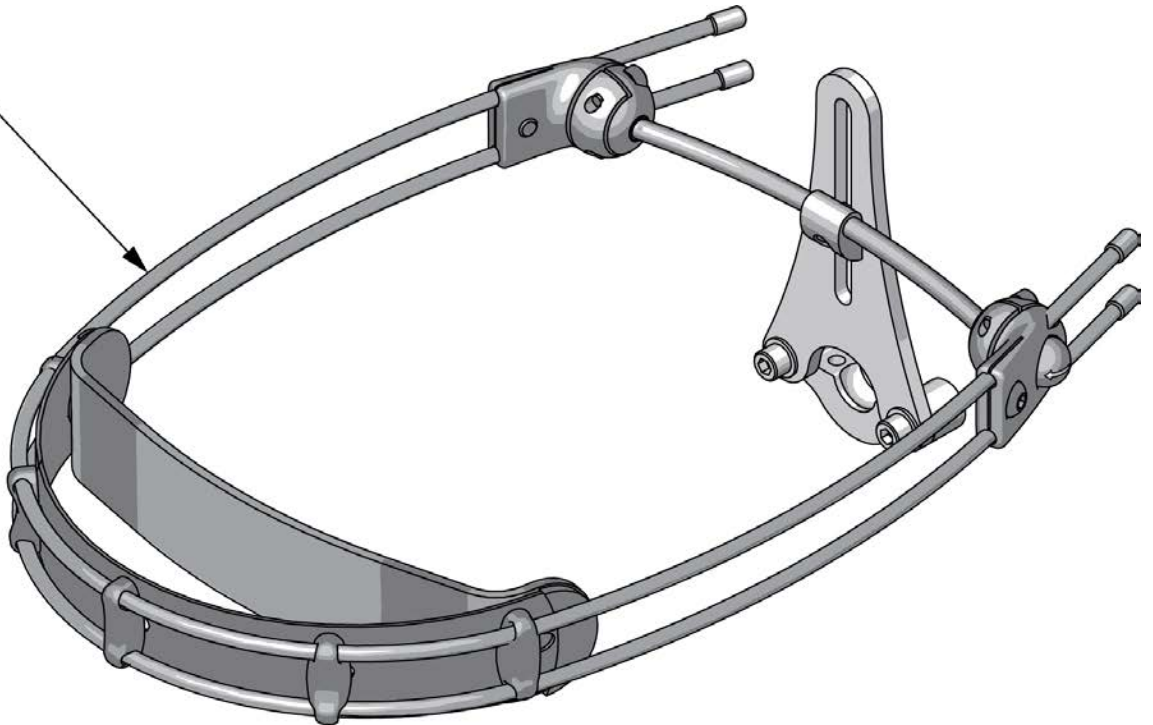


Pos.	Item Number	Description
1-3,5-7	125851	HEADREST BRACKET UPPER ASSM
4,5,8,9	125850	HEADREST BRACKET LOWER ASSM
1-9	125849	HEADREST BRACKET ASSM COMPLETE
3-7,9	125852	HEADREST BRKT FASTENER KIT

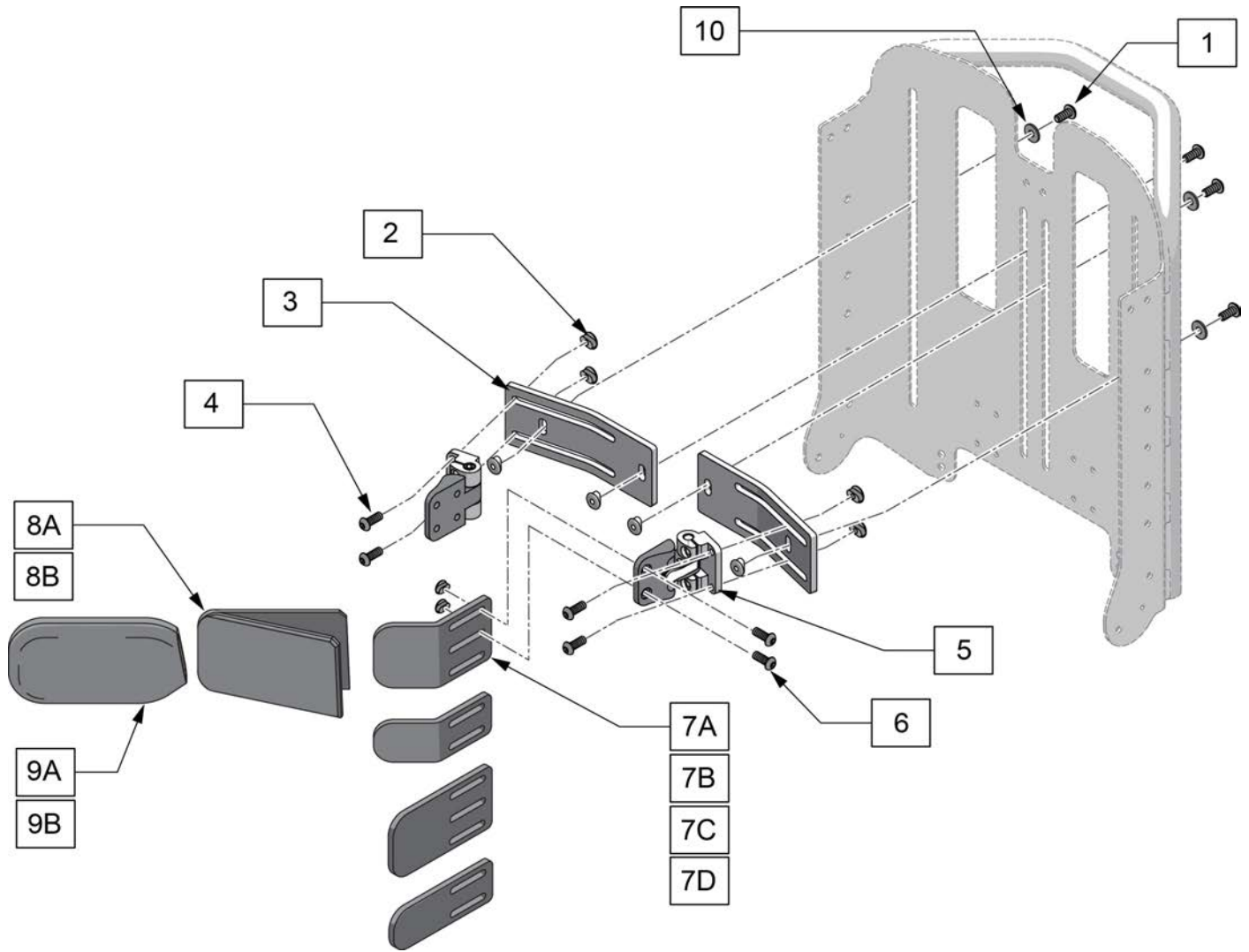


Pos.	Item Number	Description
1A-4	125853	WHITMYER 8" PLUSH W/ COLLAR
1A-4	125854	WHITMYER 10" PLUSH W/ COLLAR
1B-4	125855	SM CONTOUR CRADLE W/ COLLAR
1B-4	125856	MED CONTOUR CRADLE W/ COLLAR
1C-4	125857	SM ADJUST-A-PLUSH W/ COLLAR
2-4	125858	COLLAR W/ BOLTS AND COVER

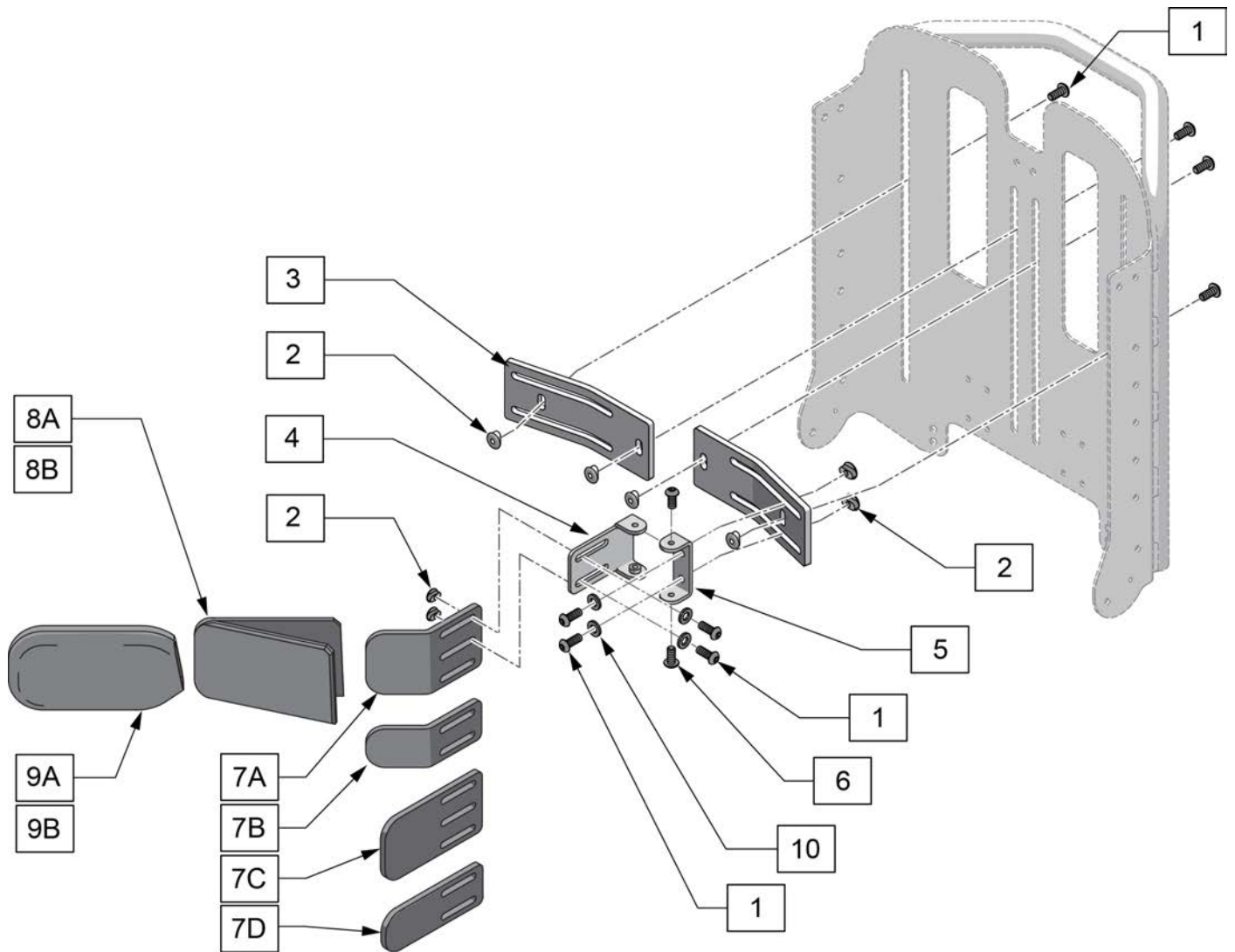
1



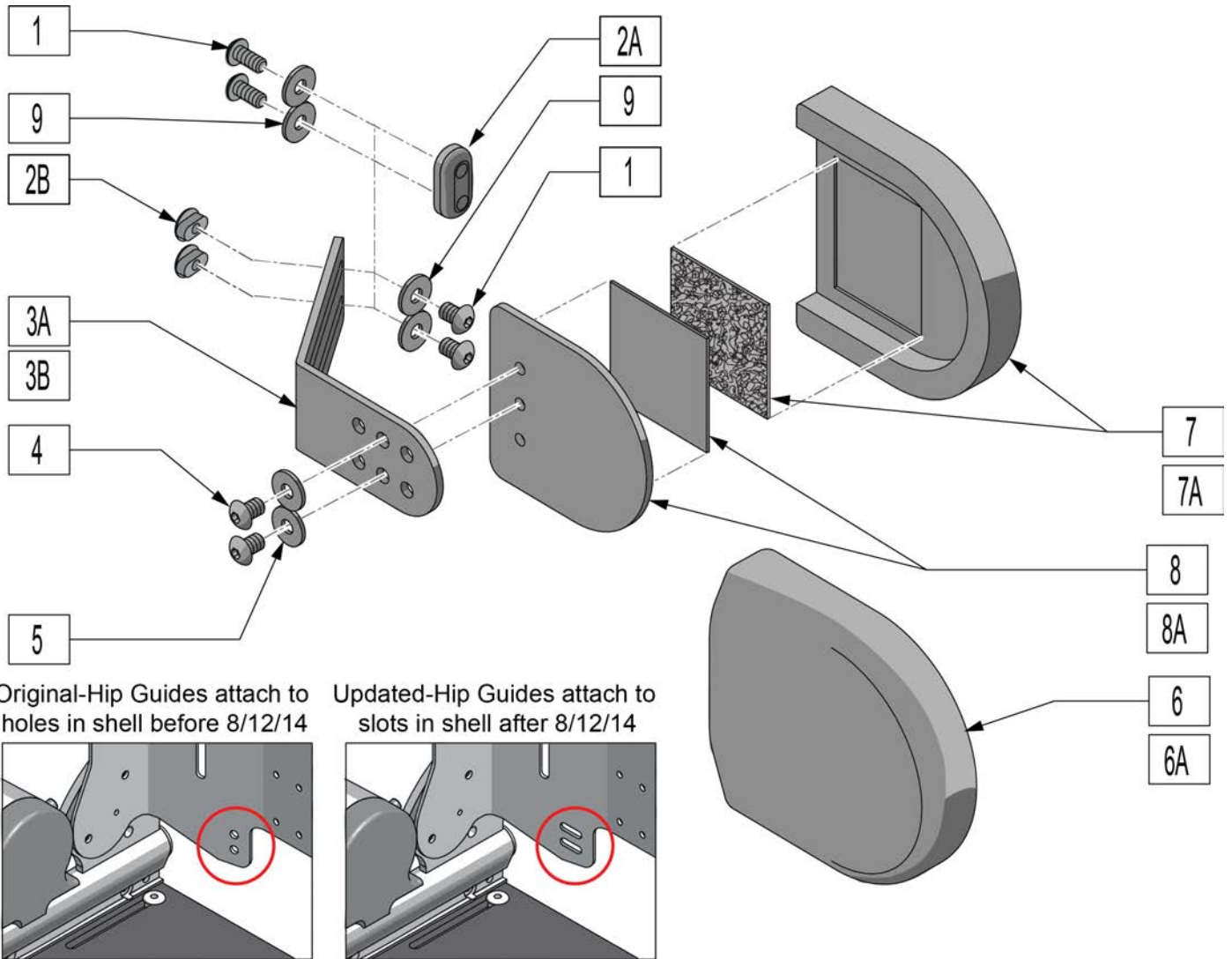
Pos.	Item Number	Description
1	WH-DFSQ30	DFS2 PED SINGLE PAD w/HARDWARE



Pos.	Item Number	Description
8A	9490502111	LATERAL FOAM 1-3/4
8B	9490503111	LATERAL FOAM 2-3/4"
9A	125865	LATERAL COVER SMALL BLACK
9B	125866	LATERAL COVER LARGE BLACK
2,4,5	125859	SWING AWAY BRKT W/ HDWR
2,3,6	125860	LATERAL BACK MOUNT W/ HDWR
1,2,7D	125861	PAD BRKT SM STRAIGHT W/ HDWR
1,2,7C	125862	PAD BRKT LG STRAIGHT W/ HDWR
1,2,7B	125863	PAD BRKT SM CONTOUR W/ HDWR
1,2,7A	125864	PAD BRKT LG CONTOUR W/ HDWR



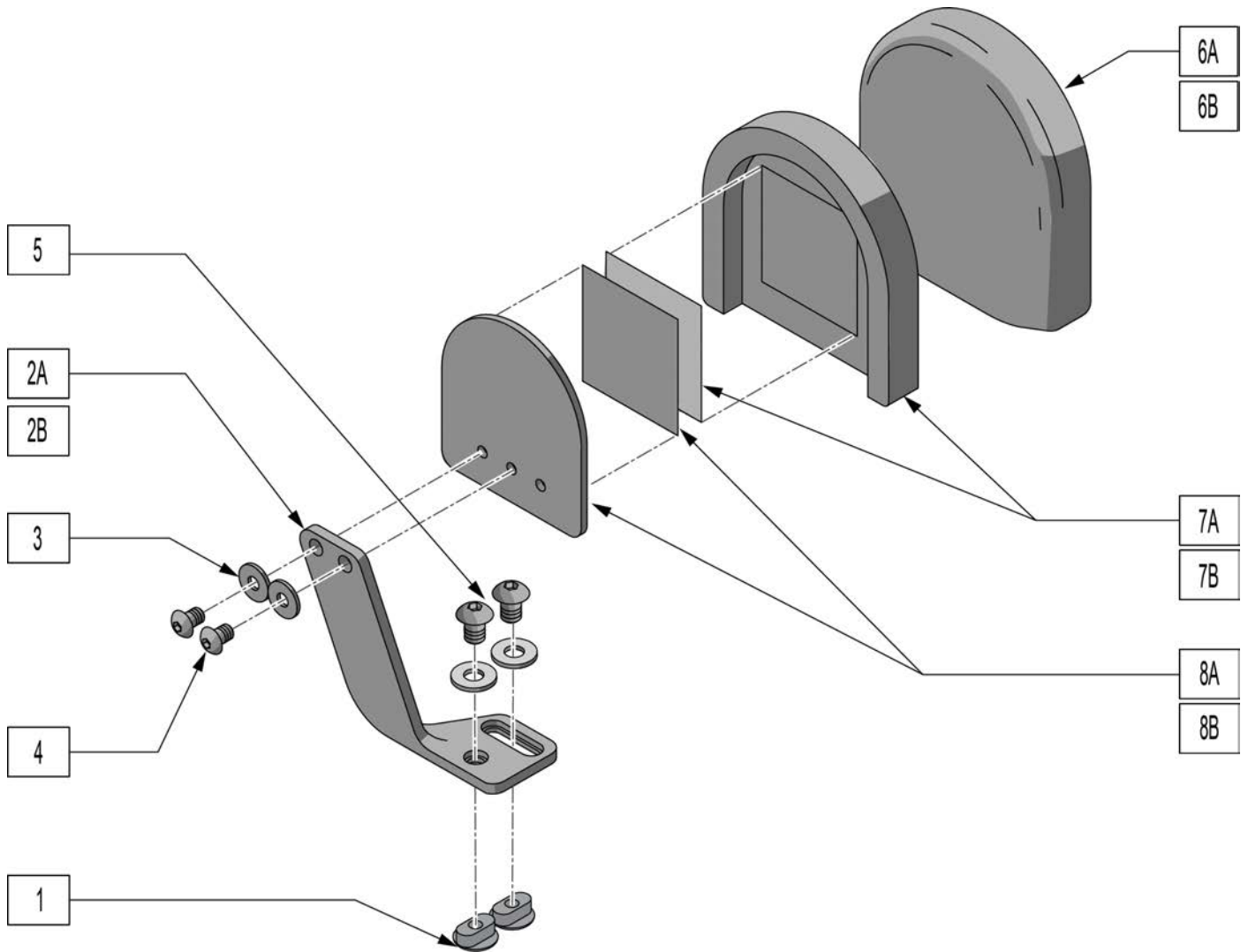
Pos.	Item Number	Description
1-3	125860	LATERAL BACK MOUNT W/ HDWR
1,2,4,5,10	125867	FIXED LATERAL BRKT W/ HDWR
8A	9490502111	LATERAL FOAM 1-3/4
8B	9490503111	LATERAL FOAM 2-3/4"
9A	125865	LATERAL COVER SMALL BLACK
9B	125866	LATERAL COVER LARGE BLACK
1,2,7D	125861	PAD BRKT SM STRAIGHT W/ HDWR
1,2,7C	125862	PAD BRKT LG STRAIGHT W/ HDWR
1,2,7B	125863	PAD BRKT SM CONTOUR W/ HDWR
1,2,7A	125864	PAD BRKT LG CONTOUR W/ HDWR



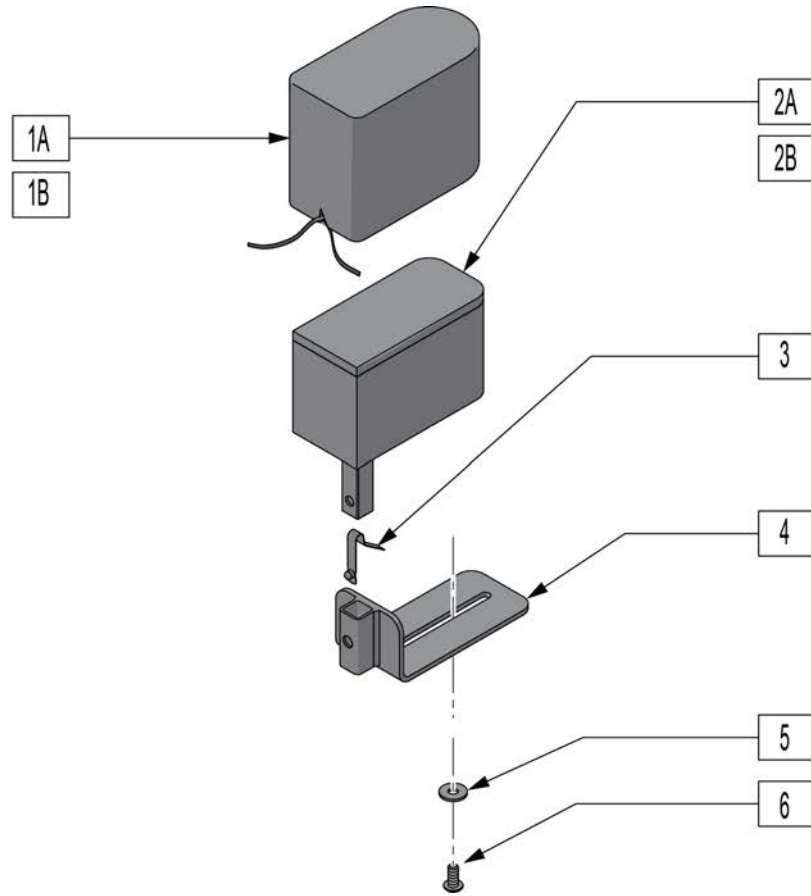
Original-Hip Guides attach to holes in shell before 8/12/14

Updated-Hip Guides attach to slots in shell after 8/12/14

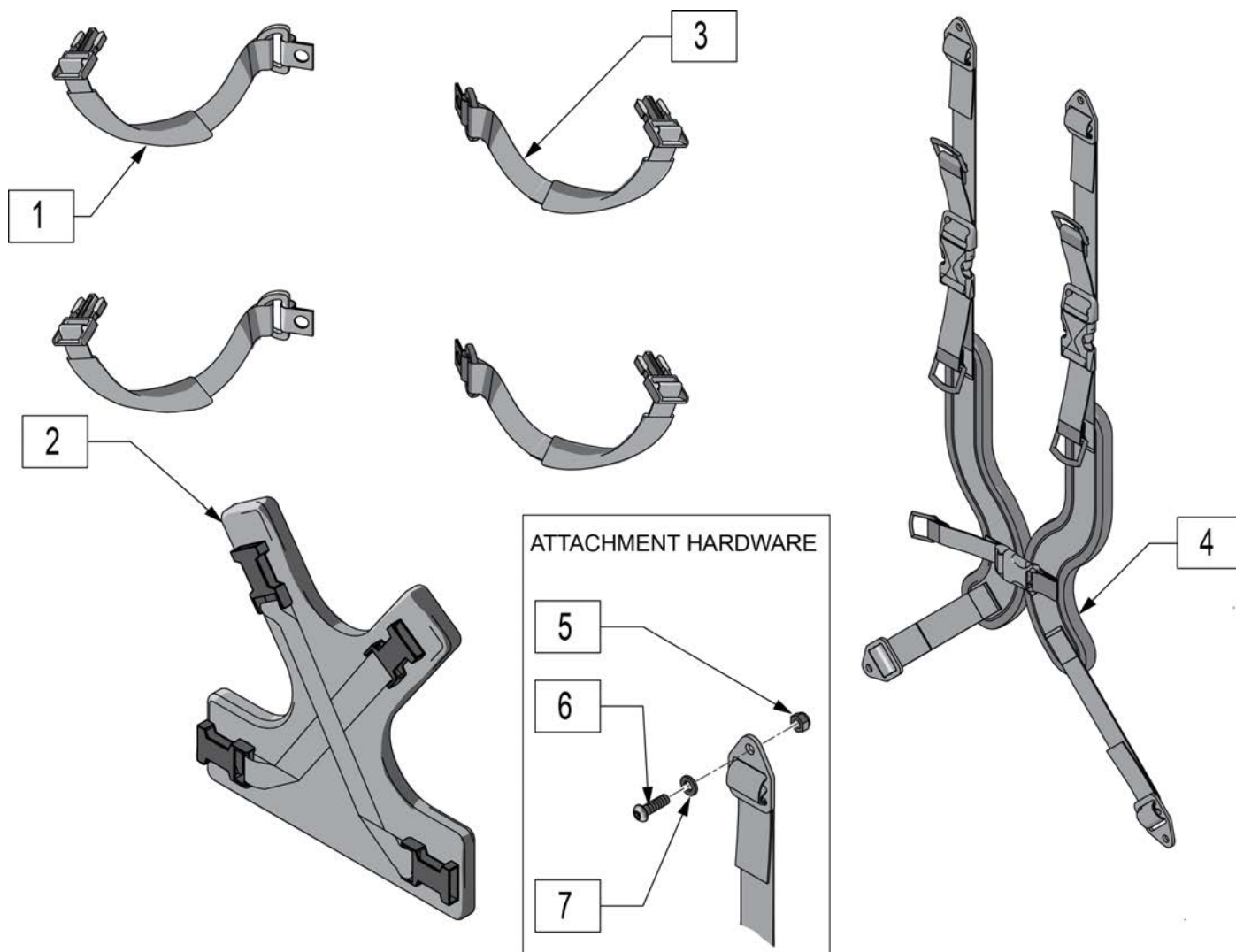
Pos.	Item Number	Description	Remarks
1,2A,3A-5	125885	HIP SUPPORT HARDWARE ASSM	use for holes in shell attachment
1,2B,3B-5	126888	HIP SUPPORT HARDWARE ASSM	use for slots in shell attachment
6A	125881	THIGH SUPPORT PAD COVER SMALL	
6B	125882	THIGH SUPPORT PAD COVER LARGE	
6A,7A,8A	125879	THIGH SUPPORT PAD ASSM SMALL	
6B,7B,8B	125880	THIGH SUPPORT PAD ASSM LARGE	
1,2A,3A,6A,7A,8A,9	125883	HIP SUPPORT ASSEMBLY SMALL	use for holes in shell attachment
1,2A,3A,6B,7B,8B,9	125884	HIP SUPPORT ASSEMBLY LARGE	use for holes in shell attachment
1,2B,3B-5,6A,7A,8A,9	126889	HIP SUPPORT ASSEMBLY SMALL	use for slots in shell attachment
1,2B,3B-5,6A,7B,8B,9	126890	HIP SUPPORT ASSEMBLY LARGE	use for slots in shell attachment



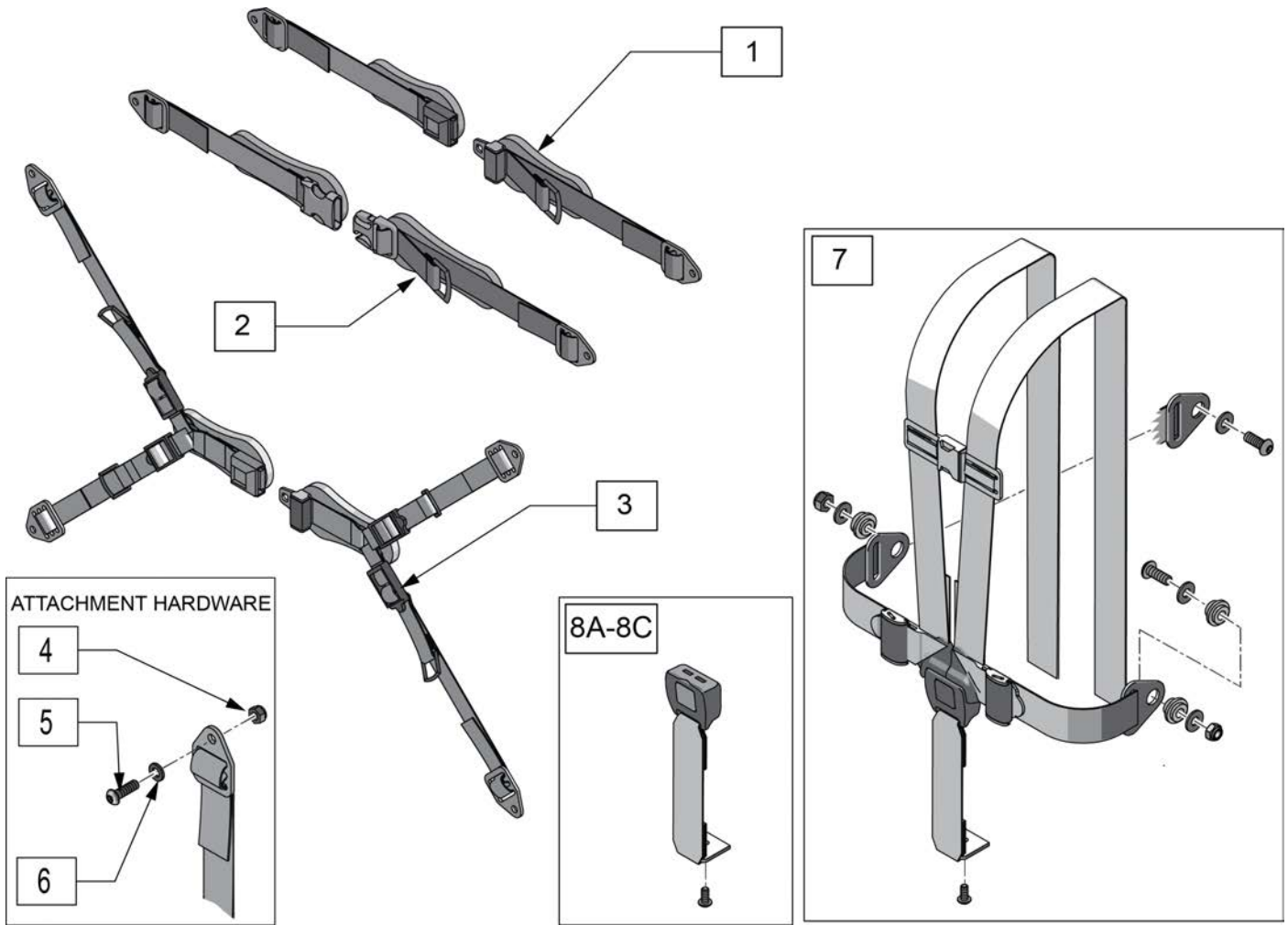
Pos.	Item Number	Description
1-5	125877	THIGH SUPPORT HARDWARE LEFT
1-5	125878	THIGH SUPPORT HARDWARE RIGHT
6A	125881	THIGH SUPPORT PAD COVER SMALL
6B	125882	THIGH SUPPORT PAD COVER LARGE
6A,7A,8A	125879	THIGH SUPPORT PAD ASSM SMALL
6B,7B,8B	125880	THIGH SUPPORT PAD ASSM LARGE
1-5,6A,7A,8A	125873	THIGH SUPPORT ASSM SMALL LEFT
1-5,6A,7A,8A	125874	THIGH SUPPORT ASSM SMALL RIGHT
1-5,6B,7B,8B	125875	THIGH SUPPORT ASSM LARGE LEFT
1-5,6B,7B,8B	125876	THIGH SUPPORT ASSM LARGE RIGHT



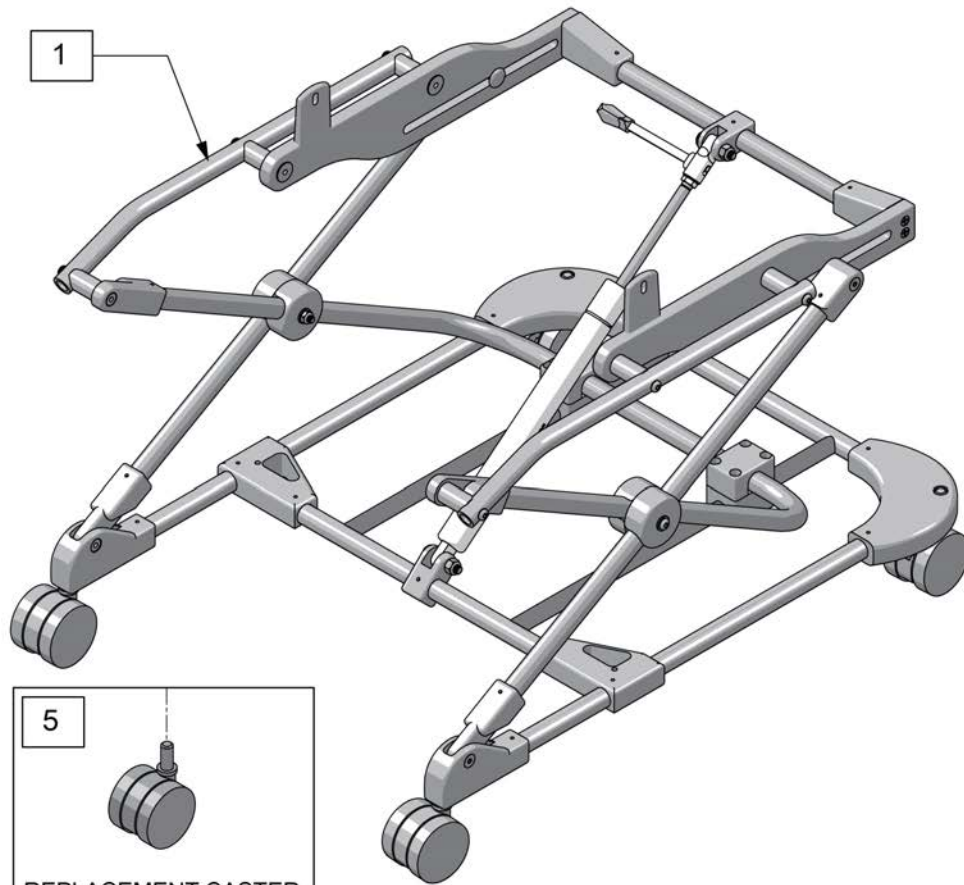
Pos.	Item Number	Description
1A	125870	MEDIAL COVER SMALL BLACK
1B	125871	MEDIAL COVER LARGE BLACK
1A, 2A-6	125868	MEDIAL SUPPORT ASSM SMALL
1B, 2B-6	125869	MEDIAL SUPPORT ASSM LARGE
3-6	125872	MEDIAL HARDWARE KIT



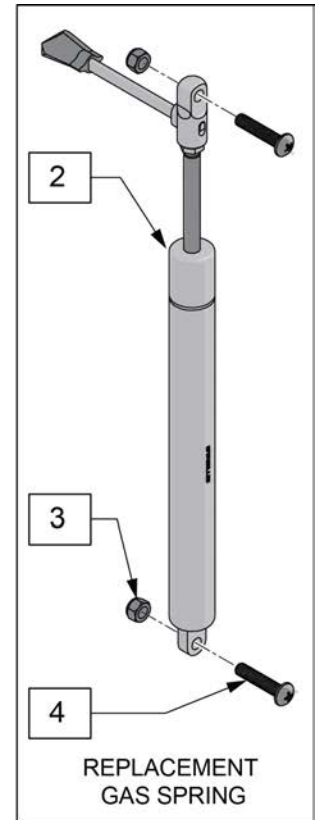
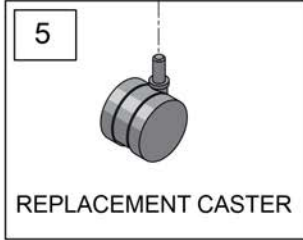
Pos.	Item Number	Description	Remarks
1	9171801101	OPTIONAL SHOULDER STRAP PADS	
2	9160150111	BUTTERFLY PAD - BLACK - XXSMALL	
2	9160150211	BUTTERFLY PAD - BLACK - XSMALL	
2	9160150311	BUTTERFLY PAD - BLACK - SMALL	
2	9160150411	BUTTERFLY PAD - BLACK - MEDIUM	
2	125893	BUTTERFLY PAD ASSM LARGE	
3	9180312301	BUTTERFLY STRAP ASSY - 23"	
4	ATS9401	CENTER OPENING STYLE SMALL	
4	ATS9400	CENTER OPENING STYLE X-SMALL	
4	ATS9407	CENTER OPENING STYLE XX-SMALL	
5-7	125892	POS BELT ATTACHMENT HDWR PAIR	Pair
1-3,5-7	9160150555	BUTTERFLY ASSY w/HARDWARE - XXSM	
1-3,5-7	9160150454	BUTTERFLY ASSY w/HARDWARE - XSM	
1-3,5-7	9160150353	BUTTERFLY ASSY w/HARDWARE - SM	
1-3,5-7	9160150252	BUTTERFLY ASSY w/HARDWARE - MED	
1-3,5-7	9160150151	BUTTERFLY ASSY w/HARDWARE - LRG	



Pos.	Item Number	Description
1,4-6	125888	1" PADDED AUTO BUCKLE ASSM
1,4-6	125889	1.5" PADDED AUTO BUCKLE ASSM
2,4-6	125886	1" PADDED PLASTIC BUCKLE ASSM
2,4-6	125887	1.5" PADDED PLASTIC BCKLE ASSM
3,4-6	125890	COM FIT BELT APB5145 XS PAD
3,4-6	125891	COM FIT BELT APB5146 SM PAD
4-6	125892	POS BELT ATTACHMENT HDWR PAIR
7	126040	5 POINT HARNESS W/HARDWARE
8A	129822	TRANSIT CENTER STRAP SM 5"
8B	129823	TRANSIT CENTER STRAP MED 8"
8C	129824	TRANSIT CENTER STRAP LNG 10"



1

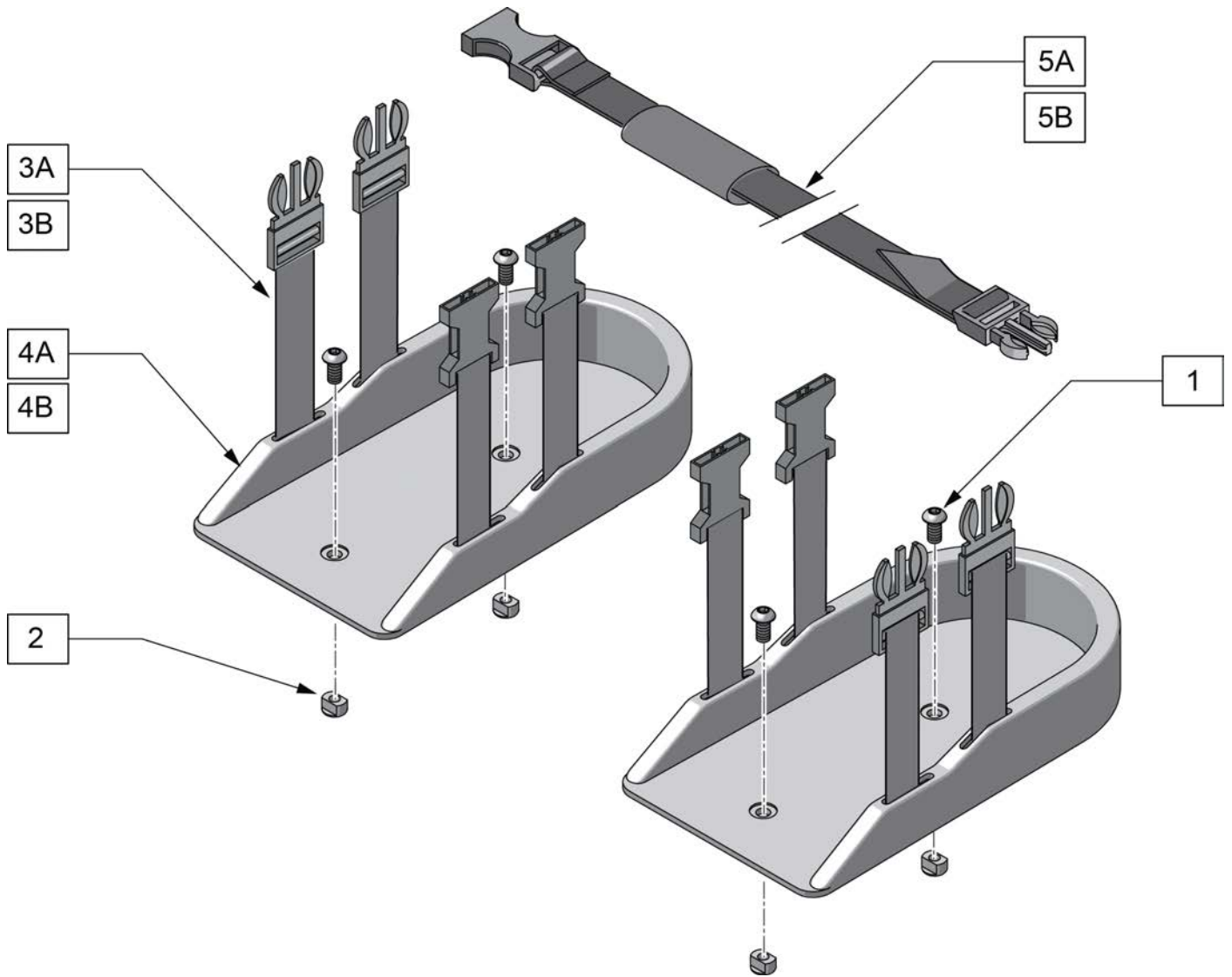


2

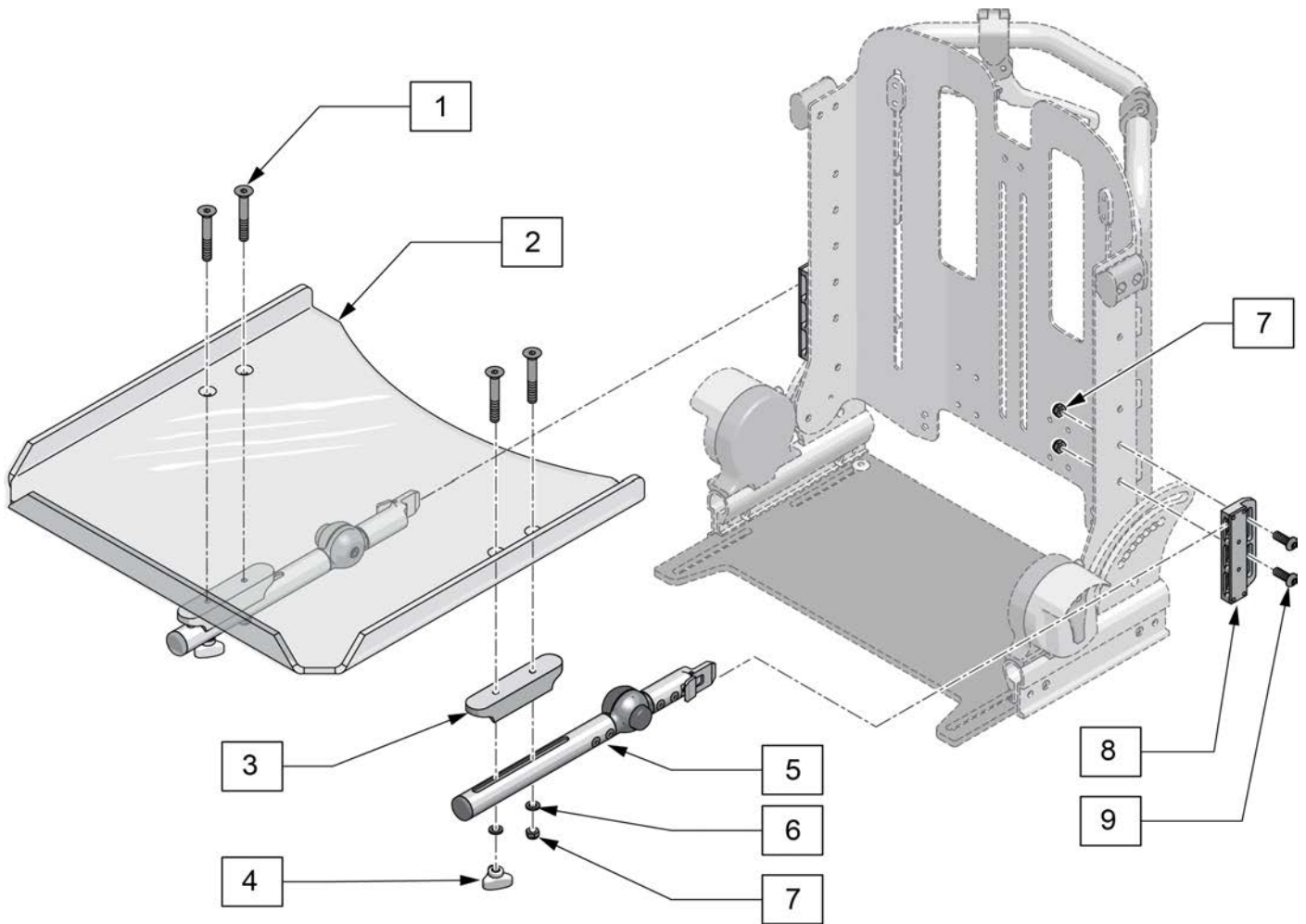
3

4

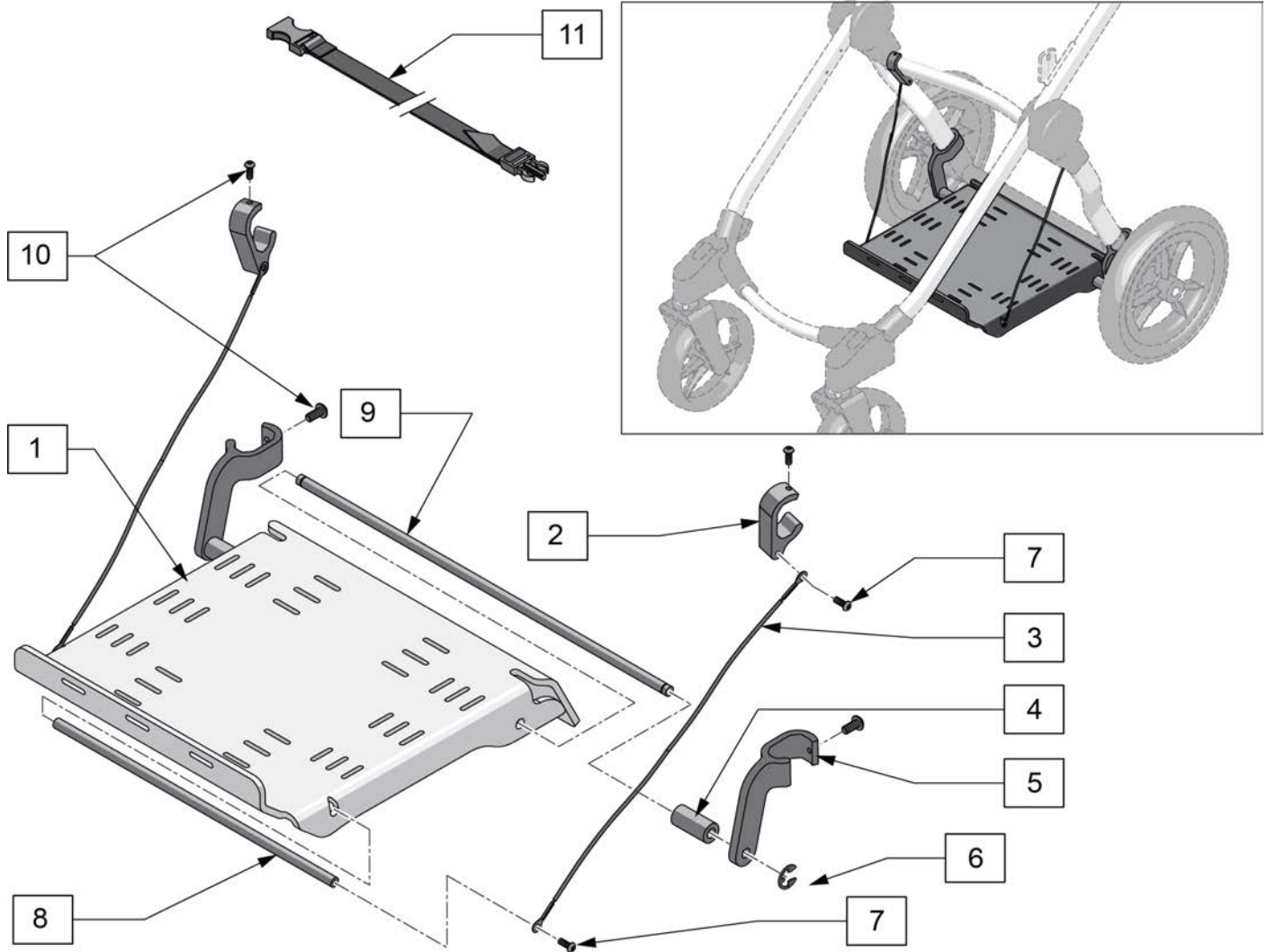
Pos.	Item Number	Description	Remarks
1	125894	BOOSTER BASE COMPLETE ASSEMBLY	
2-4	125895	GAS SPRING ASSM W/ HDWR	
3-4	125896	GAS SPRING HARDWARE KIT	Set of 2 each
5	9290212001	CASTER 2.38" PLASTIC W/BRAKE	each



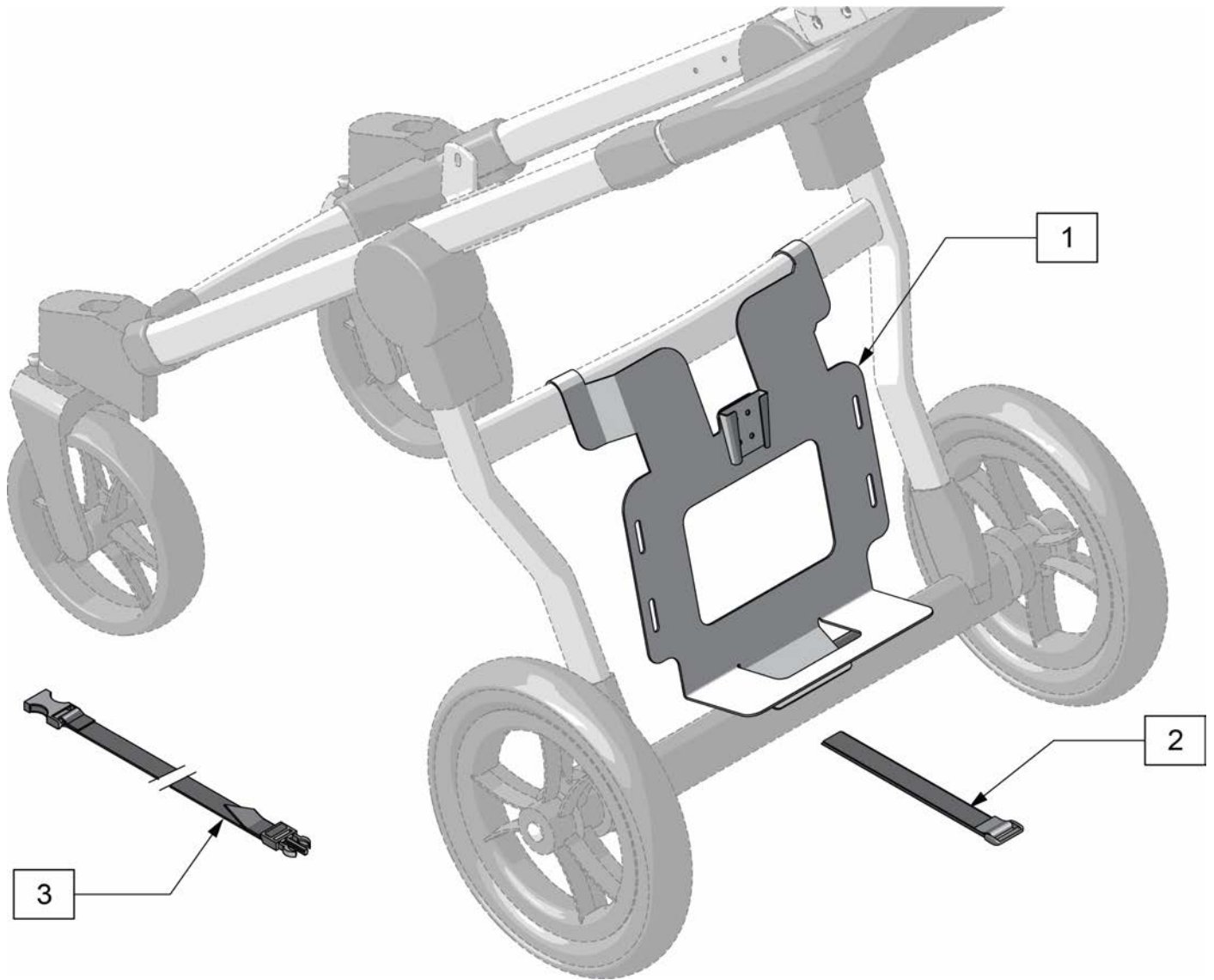
Pos.	Item Number	Description	Remarks
1,2	125903	SHOE HOLDER HDWR KIT	Set of 4
3A	125899	SHOE HOLDER STRAP KIT 10" (4)	
3B	125900	SHOE HOLDER STRAP KIT 13" (4)	
1-3A,4A	125897	SHOE HOLDER ASSM 6" PAIR	Pair
1-3B,4B	125898	SHOE HOLDER ASSM 8" PAIR	Pair
5A	125901	SHOE HOLDER STRAP KIT 16" (4)	Set of 4
5B	125902	SHOE HOLDER STRAP KIT 18" (4)	Set of 4



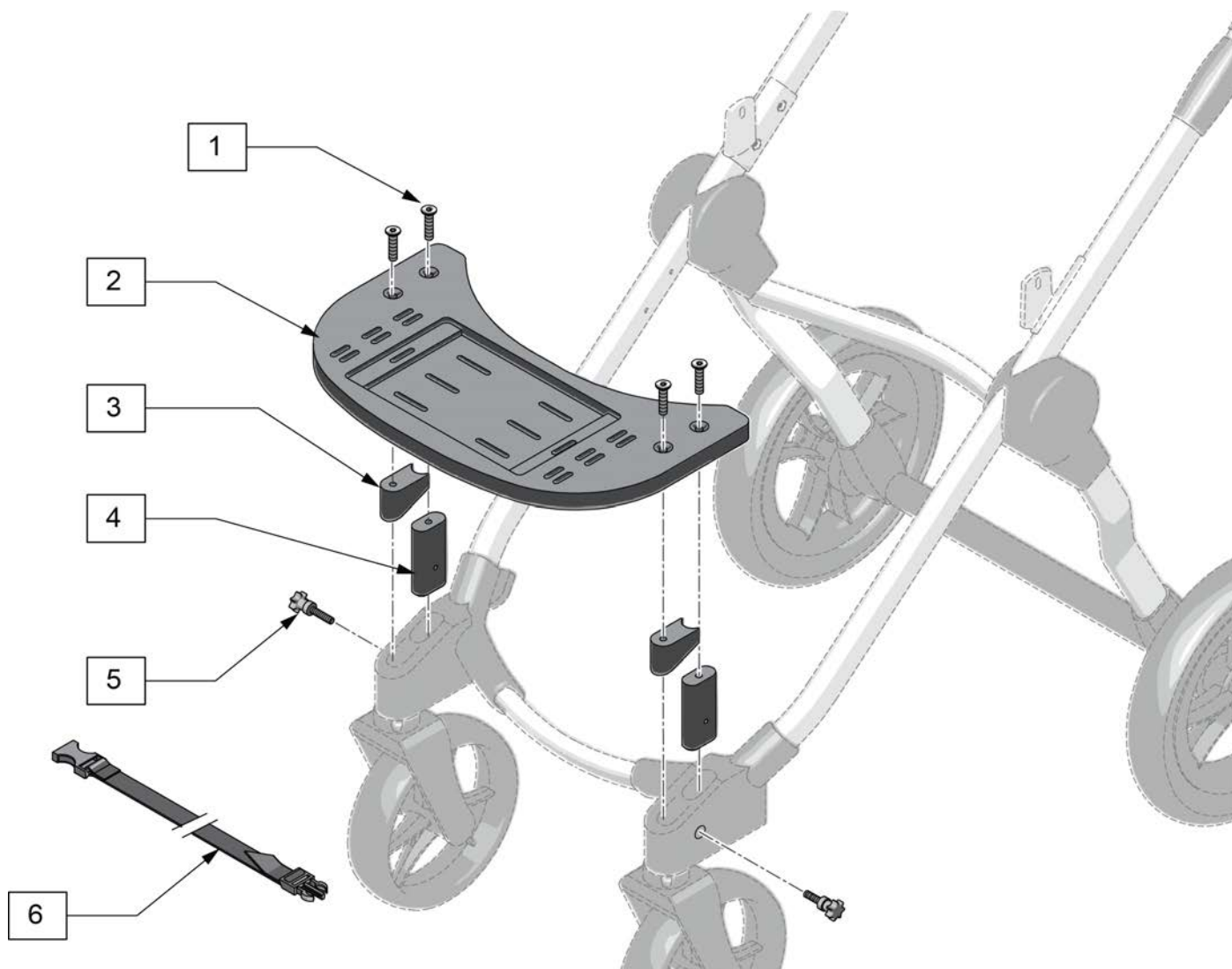
Pos.	Item Number	Description	Remarks
2	125904	TRAY CLEAR POLY	
2	125905	TRAY LIGHT GREY	Grey
1,3-7	125906	TRAY ADJUSTMENT TUBE W/ HDWR	each
7-9	125907	TRAY ANG ADJ MOUNT W/ HDWR	each
1-9	125908	TRAY ASSM COMPLETE CLEAR	
1-9	125909	TRAY ASSM COMPLETE GREY	



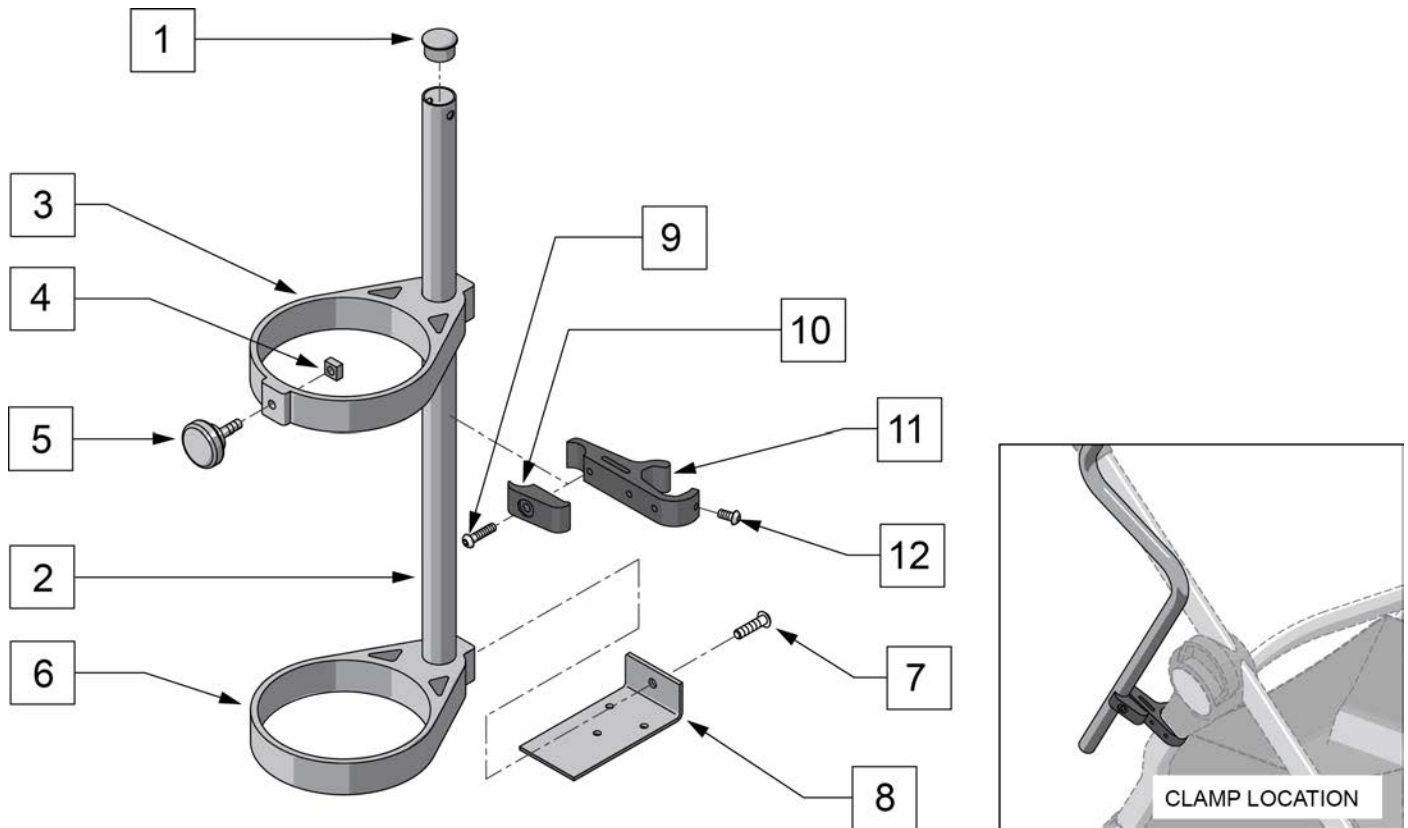
Pos.	Item Number	Description
12	125915	STRAP ASSEMBLY KIT
1-12	125910	VENT BATTERY TRAY ASSM W/ HDWR
1,6,8,9	126030	VENT/BATT TRAY W/BARS
2-7,10	126031	VENT/BATT TRAY ATTACH HDWR



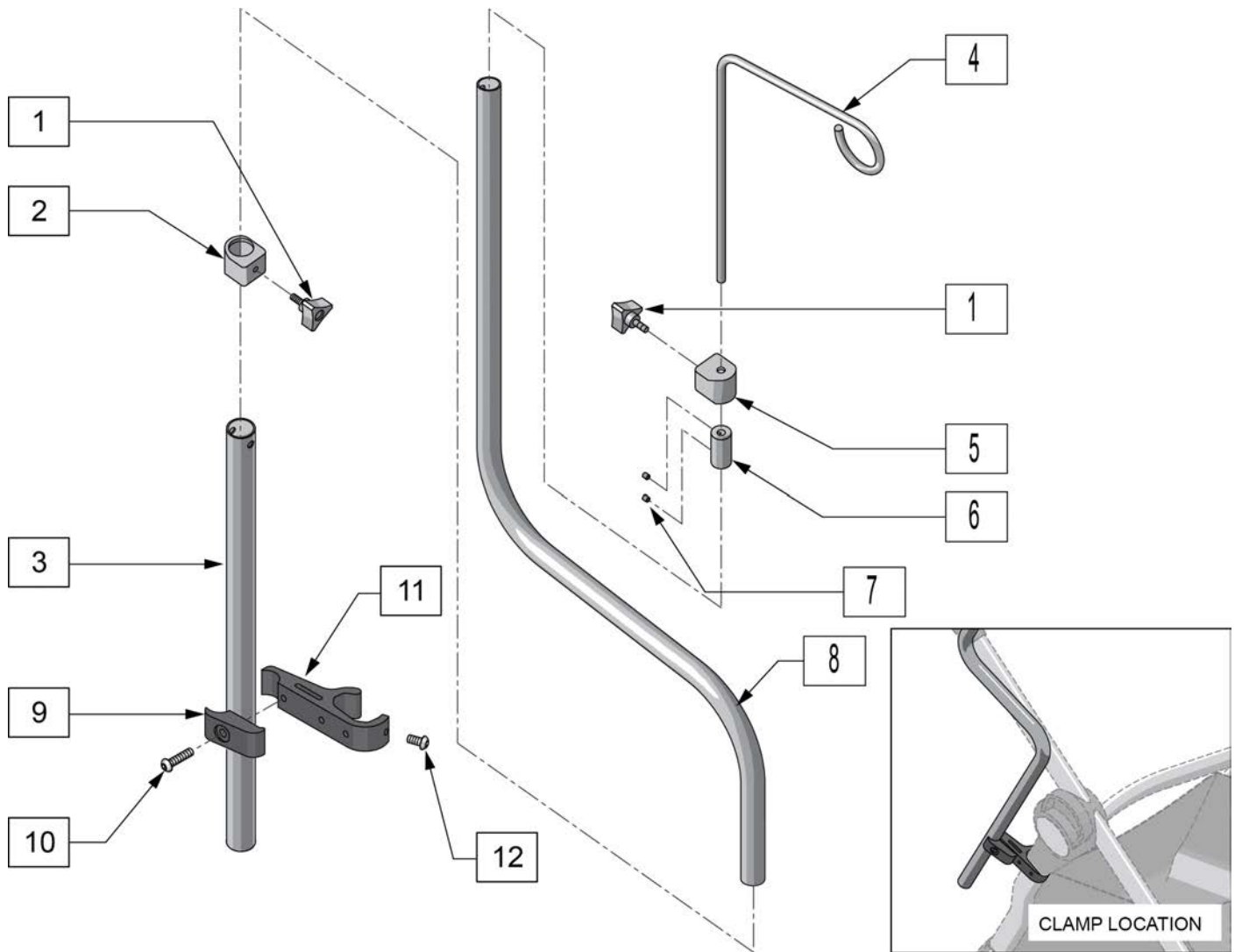
Pos.	Item Number	Description	Remarks
1,2	126024	MERTICAL VENT MOUNT LTV	LTV
1,2	126025	MERTICAL VENT MOUNT TRILOGY	Trilogy
2	126026	VENT HOLDER STRAP	
3	125915	STRAP ASSEMBLY KIT	



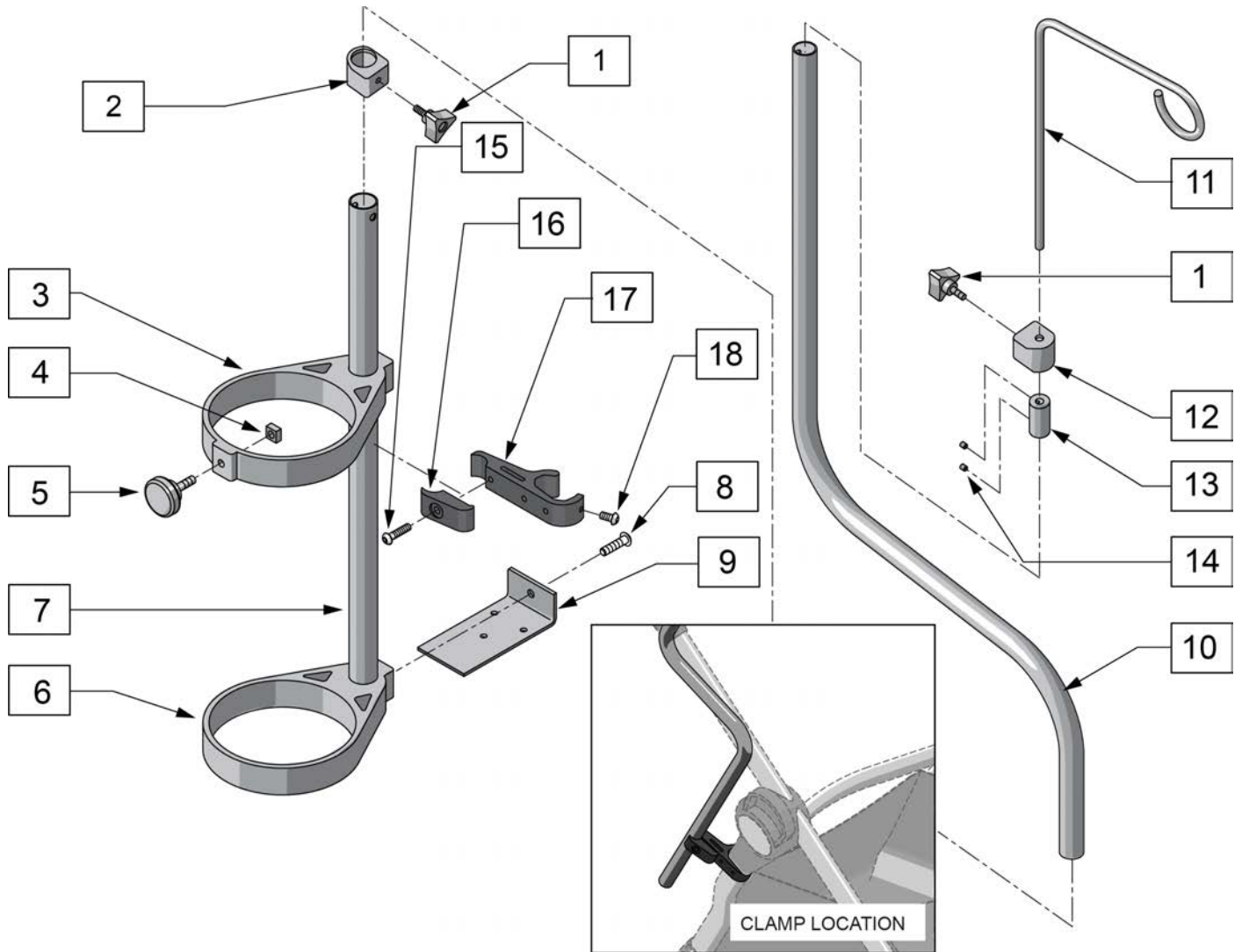
Pos.	Item Number	Description	Remarks
1,2	126029	PLATFORM TRAY W/SCREWS	
1,3,4	126028	TRAY SUPPORTS W/SCREWS PAIR	PAIR
5	126027	THUMB SCREWS PAIR	PAIR
6	125915	STRAP ASSM KIT	
1-6	125911	FRNT MNT PLTFRM ASSM COMPLETE	



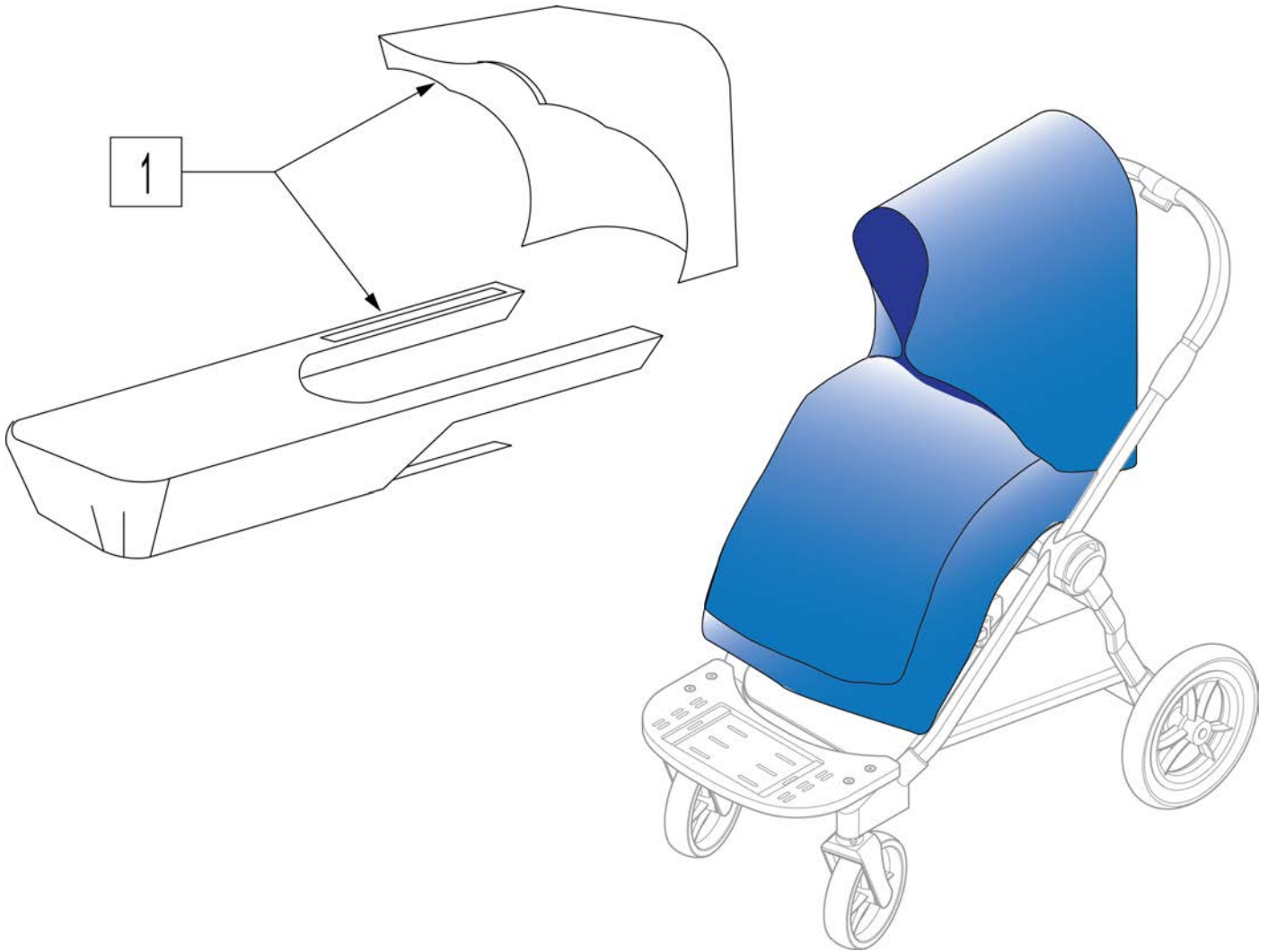
Pos.	Item Number	Description
1	561198	TUBE PLUG - 7/8" ROUND
2	120912	O2 TUBE, STROLLER
3-6	9339000001	O2 TANK HOLDER RING SET
7	9611000920	MACH SCREW 1/4-20 x 1-1/4 SBHCS ANS
1-8	126032	O2 HOLDER ASSMBLY STROLLER
9-12	126033	ACCESSORY CLAMP
7,8	126034	O2 HOLDER LOWER BRACKET



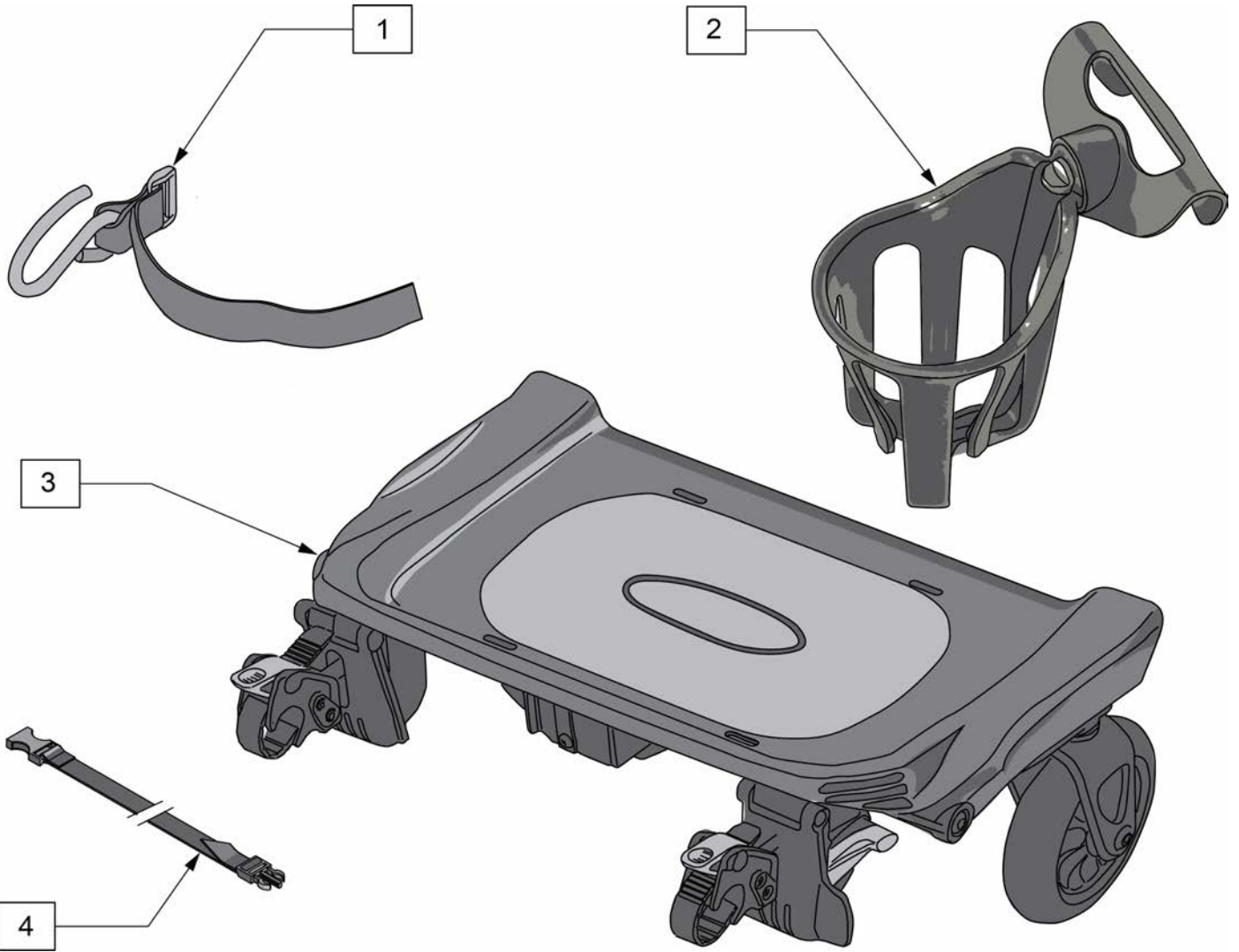
Pos.	Item Number	Description
1	9761100002	HAND KNOB #10-24 x 1/2 - BLACK
2	9530101001	IV POLE LOCK COLLAR
4	9470420701	IV HOOK
5	9530101002	IV HOOK LOCK COLLAR
6	9471020101	IV HOOK ADJ COLLAR
7	9627020903	SET SCREW #8-32 x 3/16 ANS
8	9451550001	IV POLE
1-3	126036	IV POLE BASE W/LOCK COLLAR
1, 4-8	9180105002	IV POLE ASSEMBLY w/o BASE
1,4-7	126037	IV HOOK W/ADJUSTMENT COLLAR
9-12	126033	ACCESSORY CLAMP STROLLER
1-12	126035	IV POLE W/BASE ASSM COMPLETE



Pos.	Item Number	Description
2	9530101001	IV POLE LOCK COLLAR
3-6	9339000001	O2 TANK HOLDER RING SET
7	9453190001	O2 (FRAME) TUBE
10	9451550001	IV POLE - TC
11	9470420701	IV HOOK
12	9530101002	IV HOOK LOCK COLLAR
1-18	126039	O2/IV ASSMBLY COMPLETE
8-9	126034	O2 HOLDER LOWER BRACKET
15-18	126033	ACCESSORY CLAMP
1,10-14	9180105002	IV POLE ASSEMBLY w/o BASE
1,11-14	126037	IV HOOK W/ADJUSTMENT COLLAR
1-9	126038	O2 HOLDER ASSM W/IV POLE COLLAR



Pos.	Item Number	Description
1	211512	RAIN CAPE XP GREY



Pos.	Item Number	Description
1	125912	UTILITY HOOK
2	125913	CUP HOLDER
3,4	125914	GLIDER BOARD STRAP GUIDES
4	125915	STRAP ASSEMBLY KIT