

Design Template

OCTANE **SUB 4**



Rider Information

Name: _____

Phone: _____

Email: _____

Height: _____ **Weight:** _____

Current Chair: _____ **Current Cushion:** _____

Ability/Diagnosis: _____

RGK Contact Authorization:

RGK would like to send you exclusive information, news and promotional offers on RGK.

I would like to be contacted by RGK:

Signature: _____ **Date:** _____

*We do not pass your personal information onto any third party.

Account Information

Account Name : _____

Account #: _____ **PO#:** _____

Contact Name : _____

Phone: _____

Email: _____

Ship to: **Account** **Rider**

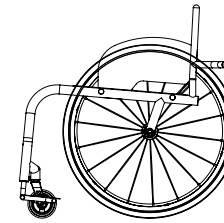
Name: _____

Address: _____

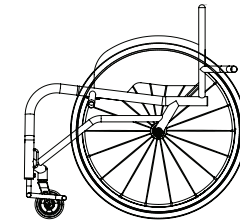
RGK Genius: _____

Frame Styles

SBTXZ010	Octane Sub4 (Max User Weight 110kg/242lbs.)	\$12,993
XA070	Open design	STD
XA080	Dual-Tube design	NCO
XW009	Quote Only (No CAD for Approval)	STD
XW011	Order Only (No CAD for Approval)	STD
XW012	Quote CAD drawing for approval	\$550
XW010	Order CAD drawing for approval (1st CAD is NCO)	\$300
	CAD approved by: Customer RGK Genius	



Open Design



Dual-Tube Design

Measurements

Please Note: All RGK chairs are hand built and have a manufacturing tolerance of +/- 5mm (.25). All measurements can be done in 5mm (.25") increments.

Please select either Millimeters or Inches.

Measurements: Millimeters (mm.) Inches (in.)

XY010 Rear Seat Width Measured from inside of side guard to inside of opposite side guard. Or outside seat tube to outside of opposite seat tube near backrest. (Min. 250mm/9.84" and Max. 440mm/17.32")

Current Chair: mm. in. New Chair: mm. in.

XY020 Seat Depth/Seat Length Measured from front of back post to the front edge of seat sling. Frame bend will start .5" in front of seat sling unless Extra Frame Length requested. (Min. 250mm/9.84" and Max. 440mm/17.32")

Current Chair: mm. in. New Chair: mm. in.

XY030 Extra Frame Length Measured from front edge of seat sling to beginning of Front frame bend. (Max. 440mm/17.32" Seat length + Extra seat length)

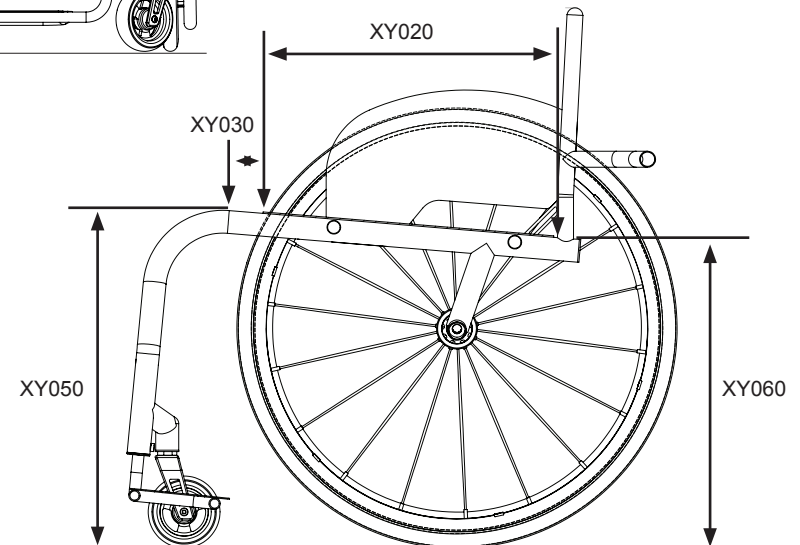
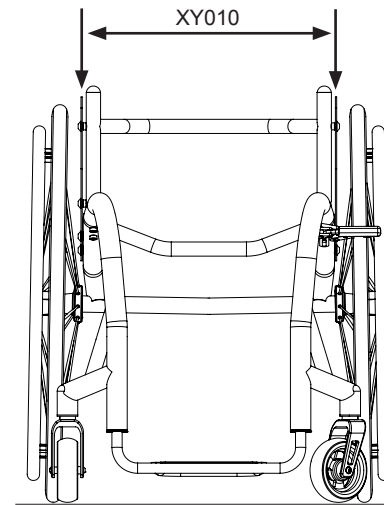
Current Chair: mm. in. New Chair: mm. in.

XY050 Front Frame Height Measured from floor to apex of seat tube. (Min. 380mm/14.96" and Max. 520mm/20.47")

Current Chair: mm. in. New Chair: mm. in.

XY060 Rear Frame Height Measured from floor to top of seat tube at back edge of seat sling. (Min. 360mm/14.17" and Max. 500mm/19.69")

Current Chair: mm. in. New Chair: mm. in.



Design Template

XY070 Occupied Frame Length/Frame Length Measured from the front of the backrest tube to the front edge of the footrest. (Min. 390mm/15.35" and Max. 625mm/24.6")

Current Chair: New Chair:

XY072 Caster Stem Position Measured from the front edge of the footrest to the centerline of the caster barrel. XY073 RGK to Optimize.

Current Chair: New Chair:

XA020 Ergonomic Seat Measured from front of back post to beginning of upward bend of seat tube. \$119

Current Chair: New Chair:

XY080 Front Seat Taper/Seat Taper Design Measured from inside of front frame tube at the front frame bend to inside of opposite front frame tube at the front frame bend.

Current Chair: New Chair:

XY091 Footrest Width/Parallel Taper Measured from inside of front frame tube at footrest adjustment to inside of opposite front frame tube at footrest adjustment. (Tip: when ordered together XY091 is usually 20mm (1") less than XY080).

Current Chair: New Chair:

XY115 Front Footrest Height Measured from ground up to the top of the Front footrest tube or cover.

Current Chair: New Chair:

XY120 Rear Footrest Height Measured from ground up to the top of the Rear footrest tube or cover. Standard is 20mm less than Front Footrest Height.

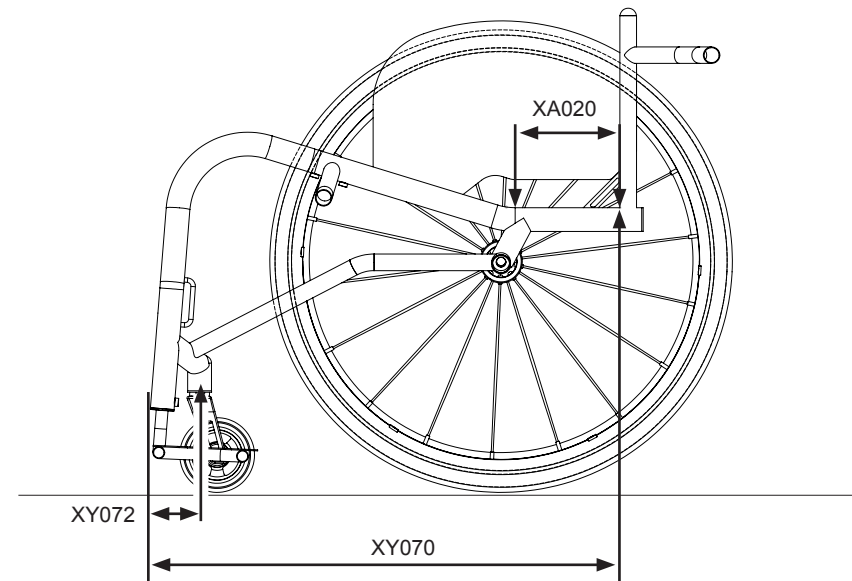
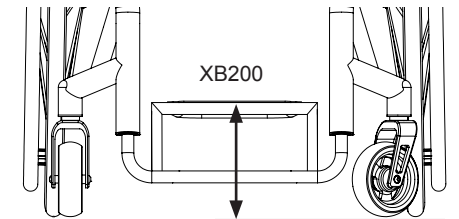
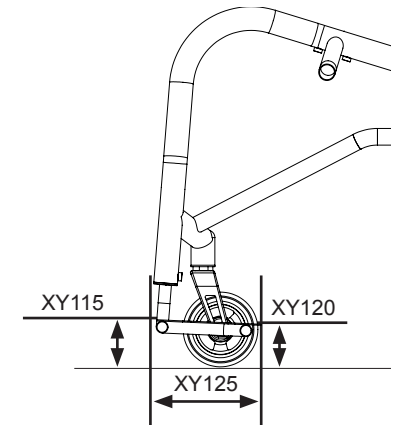
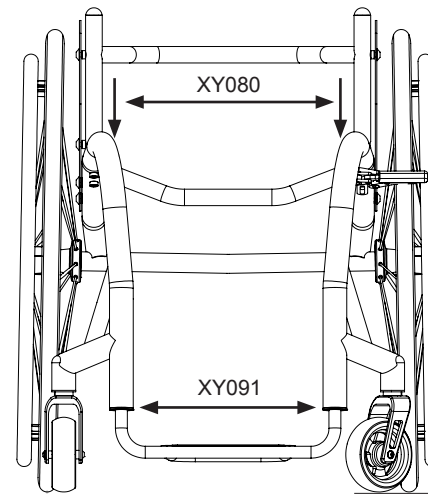
Current Chair: New Chair:

XY125 Footrest Length Measured from front edge of footrest to back edge of footrest. (Max 140mm for certified weight)

Current Chair: New Chair:

XB200 High Mount Footrest/High Level Footrest Measured from ground up to the top of the Front footrest tube or cover. \$198

Current Chair: New Chair:



Design Template

XY330 Stem Bolt/Caster Pin Width Measured from centerline of caster pin to the centerline of the opposite caster pin. XY331 RGK to Optimize:

Current Chair: New Chair:

XY231 Backrest Height Measured from top of seat tube at rear of frame to top of back-post.

Current Chair: New Chair:

XY360 Backrest Angle Measured as the angle from top front of the backrest tube to the floor. (Max. -10° to +10°) -5° -3° 0° 3° 5°

Current Chair: New Chair:

XG110 Inward Taper Measured from inside backrest tube to inside of opposite backrest tube at the top of the backrest. \$144

Current Chair: New Chair:

XG100 Ergonomic Backrest Measured from top of seat tube at rear of frame to the start of the rearward bend of back-post. \$144

Current Chair: New Chair:

XG120 Outward Flare Measured from inside backrest tube to inside of opposite backrest tube at the top of the backrest. \$144

Current Chair: New Chair:

XY390 Camber Angle Place a straight edge across the outside of rear wheel and use an angle finder to show the degree of camber.

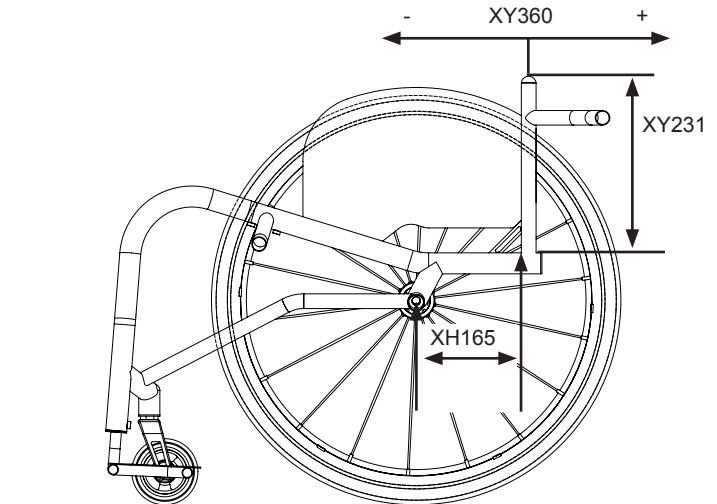
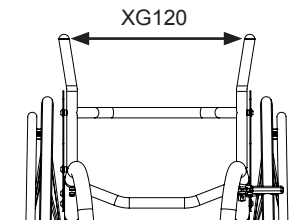
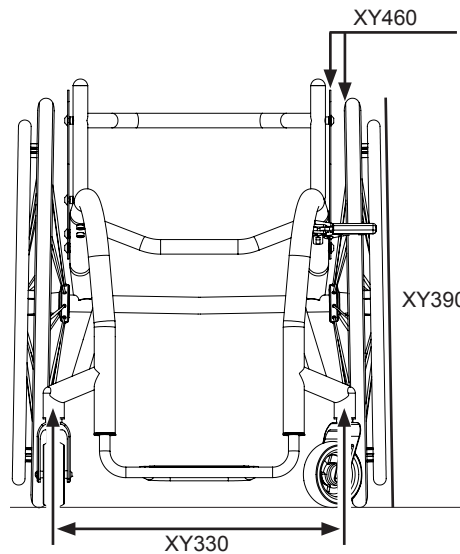
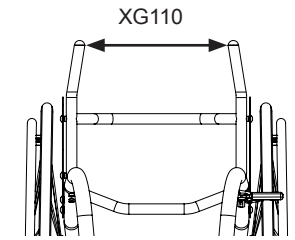
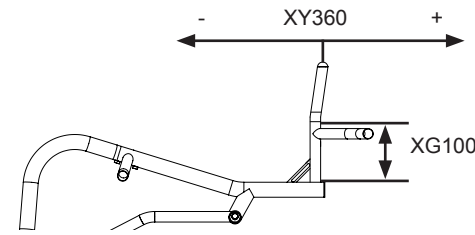
Current Chair:	1°	New Chair:	XY397	1°
	2°		XY398	2°
	3°		XY399	3°

XH165 Center of Gravity Measured from front of back post at the seat tube to the centerline of the rear axle.

Current Chair: New Chair:

XY460 Rear Wheel Gap Measured from outer most point of chair (seat back post, side guard or armrest) to inside of rear tire.

Current Chair:	.6"(15)	New Chair:	XY464	.6"(15)
	.78"(20)		XY465	.78"(20)
	1"(25)		XY466	1"(25)



Design Template

XY069 Overall Footprint Measured from the most rearward point of the chair to the most forward point of the chair.

Current Chair: New Chair:

XY071 Wheelbase Measured from the vertical centerline of the front wheel to the centerline of the rear wheel.

Current Chair: New Chair:

Rear Wheel Size

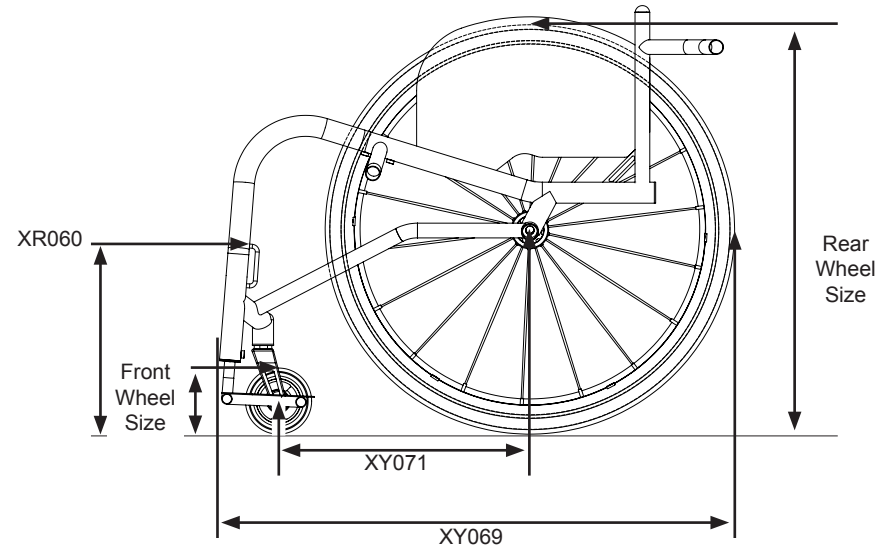
Current Chair: 24" (540) New Chair: XY420 24" (540)
 25" (559) XY430 25" (559)

Front Wheel Size

Current Chair: 4" (100) New Chair: 4" (100)
 5" (127) 5" (127)
 6" (152) 6" (152)

XR060 Welded Calf Strap Mounting Loops Measured from the ground to the top of where the calf strap is required. XR061 RGK to Optimize: \$152

Current Chair: New Chair:



Footrest Design

XY100	Round Design	STD
XY105	ⓧ Square Design	NCO

Footrest Styles

XB020	Tubular Titanium Footrest	STD
-------	----------------------------------	-----

Footrest Cover

XB045	Lightweight 3k Carbon Fiber Footrest cover WITH center cut out	STD
XB046	ⓧ Lightweight 3k Carbon Fiber Footrest cover WITHOUT center cut out	NCO
SBTXB155	Lightweight Spinerdy Cast Carbon Fiber Footrest cover WITH center cut out	NCO
SBTXB156	ⓧ Lightweight Spinerdy Cast Carbon Fiber Footrest cover WITHOUT center cut out	NCO

Footplate Width

XB049	Footplate width Sub4 certified (Std if no option selected)	STD
XB050	ⓧ Footplate width optimized for chair	NCO

Front Wheels

XC135	Aluminum Center 4"x1.25"	STD
XC1131	Sliver hub & black tire	
XC1132	Black hub & black tire	
XC1133	Purple hub & black tire	

	XC1134	Green hub & black tire		
	XC1135	Red hub & black tire		
	XC1136	Blue hub & black tire		
SBTXC155	4" x 1.25" Spinergy CX6 Cast Carbon fiber front wheel			NCO
XC140	Ⓢ Aluminum Center 5"x1.4" (Sliver hub & black tire)			\$229
XC145	Ⓢ Aluminum Center 6"x1.4" (Sliver hub & black tire)			\$229
Forks				
XC190	Low Ride fork			STD
XC192	High Trail fork			NCO
Wheel Lock				
SBTXD036	Compact Scissor with Direct Mount			STD
XD020	Ⓢ Underseat Scissor			NCO
XD050	Ⓢ Push To Lock			NCO
SBTXD085	Ⓢ Eagle (Indicate color)			\$461
SBTXD086	Ⓢ Eagle with Direct Mount (Indicate color)			\$500
	XD088 Black	XD089 Purple	XD090 Red	XD091 Blue
XD010	Omit Wheel Lock			NCO
Side Guards				
XE055	Screw on lightweight 3k carbon fiber			STD
SBTXE275	Screw on Spinergy CX6 Cast Carbon fiber			NCO
	XEM05	25mm above tire (Follow tire)		NCO
	XEM06	Individual above tire (Follow tire - max. 25mm)		NCO
	XEM02	Level with tire		STD
	XEM07	Side guard length		STD
	XEM08	Side guard height		STD
XE065	Screw on lightweight 3k carbon fiber with fender			STD
	XEM03	10mm above tire		NCO
	XEM01	Individual above tire (Follow tire - max. 25mm)		NCO
	XEM09	Center of tire		STD
	XEM10	Outside of tire		NCO
Backrest				
XG010	Fixed Backrest (non-folding)			STD
SBTXG020	Ⓢ Folding backrest with 2 position snap lock and angle adjust			\$682
Center of Gravity				
SBTXH100	Single post fixed center of gravity			STD
SBTXH130	Ⓢ Square back adjustable center of gravity (Range: 25mm - 125mm)			\$743
SBTXH140	Ⓢ Round back adjustable center of gravity (Range: 60mm - 125mm)			\$743
Push Handles				
XG070	Ⓢ Screw in push handles			\$222
XG080	Ⓢ Flip down push handles			\$434

Anti-Tip

XJ100	Ⓢ Single sport anti-tip	\$497
-------	--------------------------------	-------

Frame Finishes

SBTXN030	Bead-blast frame	STD
SBTXN050	Polished frame	NCO
XN010	Ⓢ Powder coat frame	STD
XN150	Ⓢ Powder coat components (Frame color is STD if not specified)	STD
Frame	Components	
XN400	XN408 Black gloss	XN420
XN401	XN409 Matte black	XN421
XN402	XN410 Satin blue gloss	XN422
XN403	XN415 Matte electric blue	XN423
XN404	XN416 Deep blue gloss	XN424
XN405	XN417 Red gloss	XN425
XN406	XN418 Black cherry gloss	XN426
XN407	XN419 Tuscadero pink gloss	
	Custom painted finishes	
XN200	Frame RAL Code	\$313
		XN201
		Components RAL Code
		\$313

Accent Color

XN251	Black	STD
XN253	Red	NCO
XN255	Purple	NCO
XN252	Silver	NCO
XN254	Blue	NCO
XN250	Individual Accent Color	\$313

Seat Upholstery

XP045	Sub4 Seat Sling Adjustable Strap	STD
XR050	Ⓢ Carbon Fiber Seat Plate	\$473

Back Upholstery

XP035	Sub4 Airtech Adjustable Strap	STD
XP050	Ⓢ Airtech Adjustable Strap	NCO
	XP070 Ⓢ Backrest upgrade to leather corners (Only with Airtech upholstery XP050)	\$119
	XP110 Ⓢ Backrest zip pocket (Only with Airtech upholstery XP050)	\$125
	XP170 Ⓢ Individual backrest embroidery (Please complete page 10. Only available with Airtech Adjustable Strap upholstery XP050)	\$236
	Upholstery Stitching Color	
XP550	Black	STD
XP551	Silver	NCO
XP552	Red	NCO
XP553	Orange	NCO
XP554	Blue	NCO
XP555	Purple	NCO
XP556	Individual Pantone color number	NCO

RGK Backrest Logo Color		
XP557	White (Standard if nothing selected)	STD
XP558	Red	STD
XP559	Black	NCO
XP560	Blue	NCO
XP561	Purple	NCO
XP562	Individual Pantone color number	NCO

Rear Wheel Type

XK075	Spinergy BLXL 18 bladed spoke	STD
SBTXK150	Spinergy CLX 18 bladed spokes carbon fiber rim	\$3,093
XK226	Titanium 100mm quick release axle pins	STD
SBTXK155	RGK EXCLUSIVE Spinergy CX6 Cast Carbon Fiber (Black Carbon Fiber Hub, Matte Black Carbon Fiber Rim and Black Bladed Spokes with 2 White Bladed Spokes Around Valve Stem)	\$3,539
Spinergy Spoke Colors		
XK650	Black	STD
XK651	Red	NCO
XK652	Purple	NCO
XK653	White	NCO
XK654	Blue	NCO
XK655	Orange	NCO
XK656	Yellow	NCO
XK657	Pink	NCO
XK658	Green	NCO
XK180	Individual spoke design	\$210
Spinergy Anodized Colors (Rims and Hubs are anodized not spokes, on Spinergy BLXL (XK075), Hubs only on (SBTXK150))		
XK190	Black	STD
XK202	Purple	\$403
XK203	Blue	\$403
XK201	Red	\$403
XK204	Gold	\$403
XK205	Individual hub/rims	\$560

Supply Without Rear Wheels

SBTXK040	Omit Rear Wheels	NCO
	SBTXK041 Wheel Type: SBTXK042 Tire Type:	

Handrims Style

XY485	Wide Tab Length	STD
XY480	Narrow Tab Length	NCO
	XL090 Remove excess mounting tabs (recommended for small wheel gaps)	\$144
XL010	Aluminum Hard Anodized 6 Tab	STD
XL160	Elipse Ergonomic 6 Tab	\$622
XL020	Tetra Grip 6 Tab	\$394
XL100	Para-Grip 6 Tab	\$394
XL040	Titanium 6 Tab	\$439
XL035	Natural-Fit LT	\$732

XL150	Carbolife Gekko	\$1,385
XL170	Carbolife Curve L	\$1,372

Tires

XM060	Schwalbe One (Lightest option)	\$131
XM155	MBL Speedlite	STD
XM150	IRC EXERACER	\$185
XM010	Kenda XM011 Grey XM012 Blue XM013 Red	STD
XM020	Schwalbe Marathon Plus	\$97
XM040	Shox Solid Tire	\$158
XM050	Kenda K885 Mountain Bike Tire	\$39

Inner Tubes

XY500	Schraeder Valve Inner Tube	STD
XY490	Presta Valve Inner Tube	NCO

Cushions

XP080	Cushion foam	\$119
	Density	XP001 Soft XP002 Medium
	Thickness	XP003 50mm XP004 75mm XP005 100mm

Cushion Covers

XP085	Nylon Cushion Cover (Black)	STD
XP090	Airlite Cushion Cover (Black)	\$97
XP100	Leather Cushion Cover (Black)	\$250

Jay Products - Please Include Jay Order Form

XP900	Jay Cushion	Refer to Jay Order Form
XP910	Jay Backrest	Refer to Jay Order Form
XP920	Jay Whitmyer Headrest	Refer to Jay Order Form

Accessories

XR080	Frontwheel Assembly (Only with XB010, TGAXB080, XB150)	\$1,037
XP120	Zip Black Frame Protectors Neoprene Fasten (Black)	\$83
XP420	Velcro Black Frame Protectors Nylon Fasten (Black)	\$80
XR010	Black Seat Pouch Velcro Attach (Black)	\$58
XR200	Black Rucksack with RGK Logo (Black)	\$149
XR090	Tool Kit	STD
XS065	Sub4 Calf Strap	STD

Ordering Information

Estimated MSRP*

Quote

Order

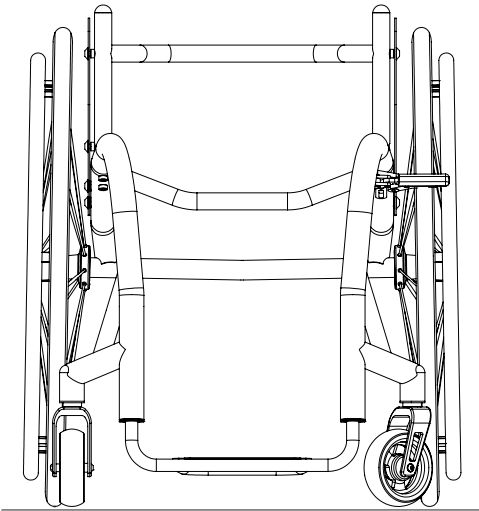
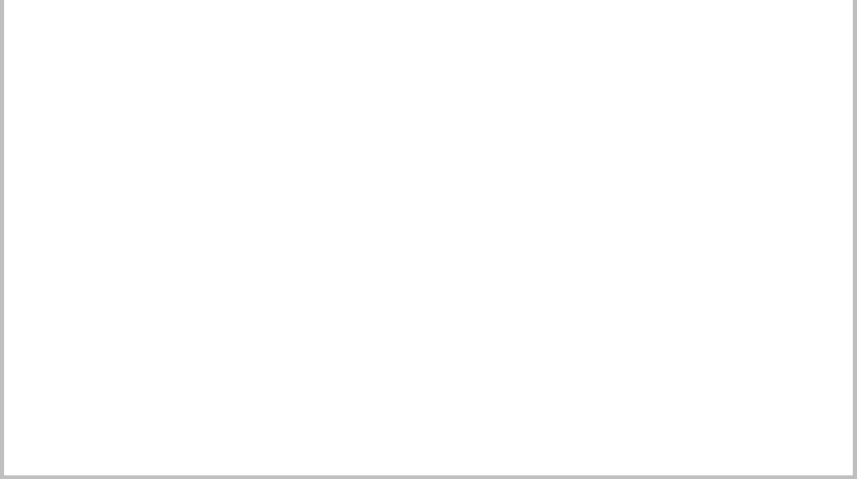
(*Price does not include any one off requested options)

General Information

Serial No: _____

Production Date: _____

Specification Notes



Individual Back Upholstery
Embroidery Area

