

CUSTOMER				SHIP TO			
Dealer				Name			
Account #		Date		Address			
<input type="checkbox"/> Quote	<input type="checkbox"/> PO #			City		Province	
Buyer				PC	Phone		
Mark For				Email / Fax			
<input type="checkbox"/> Quote has Additional Sunrise Products with different Quote / Order #				Quote / Order #			

Technical Data Overview			
Maximum User Weight	275 lbs. (125 kg)	Motor	250W / 22Nm
Wheelchair Rear Wheel Sizes	24"   25"   26" (540   559   590)	Operating Voltage	36V
Device Weight (excluding battery)	13.0lbs (5.9kg)	Maximum Motor Noise	50 db
Battery Weight (2.5Ah / 5Ah)	1.5 lbs. (0.7 kg) / 2.6 lbs. (1.2 kg)	Battery Type	Lithium-Ion 36V 2.5Ah / 5Ah
Battery Range (2.5Ah / 5Ah)	9.8 mi / 19.5 mi (15.7 km / 31.4 km)	Device Charger Type	100-240V AC, 36V - 2.7A
Maximum Speed	3.7 mph (6 kph)   5.5 mph (9 kph)	Docking Charger	100-240V AC, 36V - 3A
Maximum Slope	6°	Control Box	IP54 Bluetooth
Motor Wheel Size	8" air-chambered solid tire	Bluetooth Standard	5.2

**BASE**

<input checked="" type="checkbox"/> OPTION	DESCRIPTION	RETAIL
<b>Empulse R90 Packages</b>		\$
<input type="checkbox"/> 209MW91	<b>Empulse R90</b> Device Charger, Control Box, V-Lock Latch, Travel Bag	\$ 7,445.00
	<input checked="" type="checkbox"/> <b>2.5Ahr Battery</b>	\$ 500.00
<input type="checkbox"/> 209MW92	<b>Empulse R90 Range</b> Device Charger, Control Box, V-Lock Latch, Travel Bag	\$ 7,445.00
	<input checked="" type="checkbox"/> <b>5.0Ahr Battery</b>	\$ 655.00

**Options and Accessories - Batteries are interchangeable and can be used with either package**

<input type="checkbox"/> 209AG42	Additional 2.5Ah Lithium-Ion Battery (9.8 mi, 15.7 km)	\$ 500.00
<input type="checkbox"/> 209AG39	Additional 5.0Ah Lithium-Ion Battery (19.5 mi, 31.4 km)	\$ 655.00
<input type="checkbox"/> 209BJ4	Docking Charger (3Ahr)	\$ 300.00

**Maximum Speed**

<input type="checkbox"/> 209S103	5.5 mph (9 kph)	STD
----------------------------------	-----------------	-----

**Control Box**

<input type="checkbox"/> 209QG13	Control Box Right Hand - Contains short and tall plate	NC
<input type="checkbox"/> 209QG14	Control Box Left Hand - Contains short and tall plate	NC

**WHEELCHAIR**

<input checked="" type="checkbox"/> OPTION	DESCRIPTION	RETAIL	<input checked="" type="checkbox"/> OPTION	DESCRIPTION	RETAIL
<b>Wheelchair Axle Range</b>		\$			\$
Distance from ground to camber tube					
<input type="checkbox"/> 209WS6	24 Wheel Size ( 540 Wheels)	NC	<input type="checkbox"/> 209WS7	26 Wheel Size (590 Wheels)	NC
<input type="checkbox"/> 209W22	25 Wheel Size (559 Wheels)	NC			

Type \$

Selection required. Specify type of wheelchair.

- 2099V47 Rigid Wheelchair NC  2099V48 Folding Wheelchair \$ 430.00

**FRAME**

Rigid Frame: Camber Tube Diameter \$

Select the diameter of the Camber Tube Size.

**Standard Clamp for Frame Camber Tube** (1.26" or 32mm) - Select Insert Size below if Tube Diameter is less than 1.26" or 32mm NC

- Select following size:  209C1105 0.87" (22mm)  209C1106 0.98" (25mm)  209C1107 1.11" (28mm)  209C1108 1.18" (30mm)  209C1109 1.26" (32mm)

**Large Clamp for Frame Camber Tube** (1.77" or 45mm) - Select Insert Size below if Tube Diameter is less than 1.77" or 45mm NC

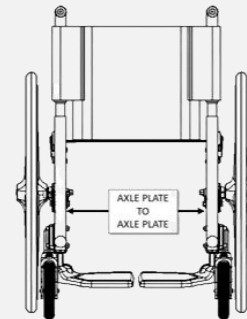
- Select following size:  209C1110 1.38" (35mm)  209C1111 1.50" (38mm)  209C1112 1.77" (45mm)

Folding Frame: Inside Axle Distance \$

Select the distance from inside axle plate to inside axle plate.

- 209AX6 X Small Interior Axle Distance (12" - 13" or 300mm - 330mm) NC
- 209AX7 Small Interior Axle Distance (13.1" - 15.9" or 331mm - 400mm) NC
- 209AX14 Medium Interior Axle Distance (16.0" - 18.0" or 401mm - 450mm) NC
- 209AX15 Large Interior Axle Distance (18.1" - 21.0" or 451mm - 530mm) NC

AXLE PLATE TO AXLE PLATE WIDTH (in)	AXLE PLATE TO AXLE PLATE WIDTH (mm)	FOLDING AXLE ASY			
		X-SMALL	SMALL	MEDIUM	LARGE
12.0-13.0	300-330	x			
13.1-15.9	331-400		x		
16.0-18.0	401-450			x	
18.1-21.0	451-530				x

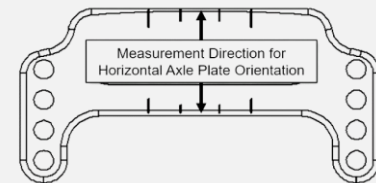
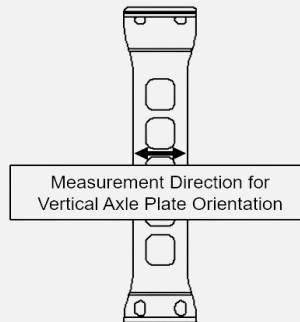


Folding Frame: Axle Plate Size \$

Select the size of the Axle plate.

- 209AL30 Small Axle Plate (1.0" - 1.5" or 25mm - 38mm) NC  209AL72 Large Axle Plate (2.1" - 2.25" or 51mm-60mm) NC
- 209AL31 Medium Axle Plate (1.6" - 2" or 39mm-50mm) NC
- 2098A103 Quickie QS5 X Folding Axle Adapters. The Quickie QS5 X has a unique adapter specific to its chair design. NC

AXLE PLATE SIZE (in.)	AXLE PLATE SIZE (mm.)	AXLE PLATE ADAPTER		
		SMALL	MEDIUM	LARGE
1.0-1.5	25-38	x		
1.6-2.0	39-50		x	
2.1-2.25	51-60			x



Folding Frame: Options \$

- 2098A84 Quickie 2 Lite Anti Tip Option \$ 125.00
- \* The R90 is not compatible with the stock Quickie 2 Lite Anti tips