

QUICKIE Q7

PARTS MANUAL

JANUARY 2016



improving people's lives

COVER.....	1
Multimedia	1
QUICKIE Q7.....	6
BASE FRAME	6
FRAME	6
STANDARD ADJUSTABLE FRAME prior to S/N R4-023230	6
STANDARD ADJUSTABLE FRAME after S/N R4-023230	8
ULTRA LIGHT SEAT ADJUSTABLE FRAME prior to S/N R4-023230	13
ULTRA LIGHT SEAT ADJUSTABLE FRAME after S/N R4-023230	15
ACTIVE RIGID FRAME prior to S/N R4-023230	20
ACTIVE RIGID FRAME after S/N R4-023230	21
Q7 TRANSIT KIT - WC19 after S/N R4-023230	22
TRANSIT KIT - WC19 prior to S/N R4-023230	23
AXLE PLATES AND AXLES	23
AXLE PLATE	24
ACTIVE RIGID AXLE PLATE	26
REAR SUSPENSION AXLE BRACKET	27
QUICK RELEASE AXLES MATRIX-Q7/ZONE	32
CAMBER TUBE	32
CAMBER TUBE ASSM	33
CASTER AND FORKS	34
CASTERS	34
MICRO CASTERS.....	35
3 SPOKE CASTERS	36
SOFT ROLL CASTERS.....	38
ALUMINUM CASTERS	39
ALUMINUM SOFT ROLL CASTERS	40
FORK AND STEM ASSEMBLY.....	40
STANDARD MULTIPLE POSITION FORK	41
MULTIPLE POSITION SINGLE SIDED FORK.....	45
FROG LEG SUSPENSION FORK	49
CARBOTECTURE FORK.....	51
ANTI TIPS	52
ANTI TIPS	53
DYNAMIC CENTER REAR CASTER.....	55
WHEEL LOCKS	56
HIGH MOUNT PUSH WHEEL LOCK	57
HIGH MOUNT PULL WHEEL LOCK.....	58
ERGO SCISSOR WHEEL LOCK	59
COMPACT WHEEL LOCK	60
COMPACT WHEEL LOCK - DIRECT MOUNT	61
WHEEL LOCK EXTENSION HANDLE	62
WHEELS & TIRES	62
WHEELS	62
MAG	63
5 SPOKE MAG	64
LITE SPOKE.....	66
NEW ULTRA LITE SPOKE	67
SPINERGY SPOX (18 SPOKE)	68
SPINERGY LX (12 SPOKE).....	69
MOUNTAIN	70
TIRES.....	70
PNEUMATIC & PNEU. AIRLESS TIRE.....	71
FULL POLY TIRE	72
HIGH PRESSURE CLINCHER TIRE	73
KNOBBY V-TRACK TIRE.....	74
MOUNTAIN TIRE	75
SCHWALBE MARATHON PLUS TIRE	76
SCHWALBE SPEED RUN TIRE	77
SHOX TIRE	78
HANDRIMS	78
ALUMINUM ANODIZED (SCREW MOUNT).....	79
ULTRA LITE ANODIZED (TAB MOUNT)	80
ALUMINUM ANODIZED (TAB MOUNT)	81
PLASTIC COATED (SCREW MOUNT).....	83
PLASTIC COATED (REG TAB MOUNT)	84
NATURAL FIT (SCREW MOUNT)	85
NATURAL FIT (TAB MOUNT).....	87
PROJECTION	89
PAINTED (CROSS SPOKE WHEELS ONLY)	91

CHROME (MAG WHEELS ONLY).....	92
STAINLESS STEEL (QP WHEELS ONLY).....	93
TITANIUM (QP WHEELS ONLY).....	94
COMPOSITE (SCREW MOUNT).....	95
PAINTED (SCREW MOUNT).....	96
PLASTIC COATED 5 SPOKE (SCREW MOUNT).....	97
ALUMINUM ANODIZED 5 SPOKE (SCREW MOUNT).....	98
NATURAL FIT 5 SPOKE (SCREW MOUNT).....	99
Q-GRIP (TAB MOUNT).....	100
Q-GRIP (SCREW MOUNT).....	101
SURGE (TAB MOUNT).....	102
SURGE (SCREW MOUNT).....	103
TUBES.....	103
TUBES AND AIRLESS INSERTS.....	104
SEATING AND POSITIONING.....	104
SEAT.....	104
STANDARD SEAT SLING & CUSHION prior to S/N R4-023230.....	105
STANDARD SEAT SLING & CUSHION after S/N R4-023230.....	108
SEAT SLING ULTRA LITE.....	112
BACK.....	113
BACK FRAMES.....	113
FOLDING ANGLE ADJ BACK FRAME.....	114
NON-FOLDING ANGLE ADJ BACK FRAME.....	119
FOLDING INSET ANGLE ADJ BACK FRAME.....	124
NON-FOLDING INSET ANGLE ADJ BACK FRAME.....	129
BACKREST HANDLES.....	134
TELESCOPING PUSH HANDLES (BOLT ON).....	135
FOLDING PUSH HANDLES-NON HGT ADJ.....	137
BACK UPHOLSTERY.....	137
STD BACK UPH USED W/ OMIT HANDLES.....	138
STD BACK UPH USED W/ INTEGRAL PUSH HANDLES.....	140
TENSION ADJUSTABLE BALLISTIC NYLON UPHOLSTERY.....	142
TENSION ADJUSTABLE 3DX VENTED UPHOLSTERY.....	145
FOOTREST.....	147
ALUMINUM TUBULAR prior to S/N R4-023230.....	148
ALUMINUM TUBULAR for 12-16" frame width after S/N R4-023230.....	151
ALUMINUM TUBULAR for 17-20" frame width after S/N R4-023230.....	153
FOOTREST COVER & WEAR PADS.....	155
ULTRA-LITE ALUMINUM PLATFORM FOOTREST.....	157
ALUMINUM PLATFORM FOOTREST.....	159
FLIP-BACK FOOTREST.....	163
HIGH MOUNT FOOTREST CLAMP.....	166
ADAPTIVE FLIP-BACK FOOTREST.....	167
ARMREST AND RECEIVERS.....	169
ARMRESTS.....	169
PADDED SWING-AWAY ARMREST.....	170
SINGLE POST HEIGHT ADJUSTABLE ARMREST.....	171
RECEIVERS.....	172
PADDED SWING-AWAY ARMREST RECEIVER.....	173
SINGLE POST ARMREST RECEIVER.....	174
ACCESSORIES.....	174
XTENDER.....	174
4X XTENDER AXLE PLATE ASSM Q7.....	175
XTENDER POWER ASSIST 4X PARTS.....	176
XTENDER INTERNAL REPLACEMENT PARTS.....	178
Q7 XTENDER RETRO KIT.....	179
SIDE GUARDS.....	179
PLASTIC SIDE GUARD.....	180
ALUMINUM SIDE GUARD.....	181
CARBON FIBER SIDE GUARD.....	183
POSITIONING BELTS.....	183
AUTO BUCKLE POSITIONING BELTS.....	184
AIRCRAFT BUCKLE POSITIONING BELT Q7.....	185
POSITIONING BELTS ATTACHMENT KIT - OVAL.....	186
BACKPACKS AND SEAT POUCHES.....	186
CASE LOGIC BAGS.....	187
CELL PHONE PACK.....	188
BACKPACKS AND SEAT POUCHES.....	189
SPOKE GUARDS.....	189
SPOKE GUARDS.....	190

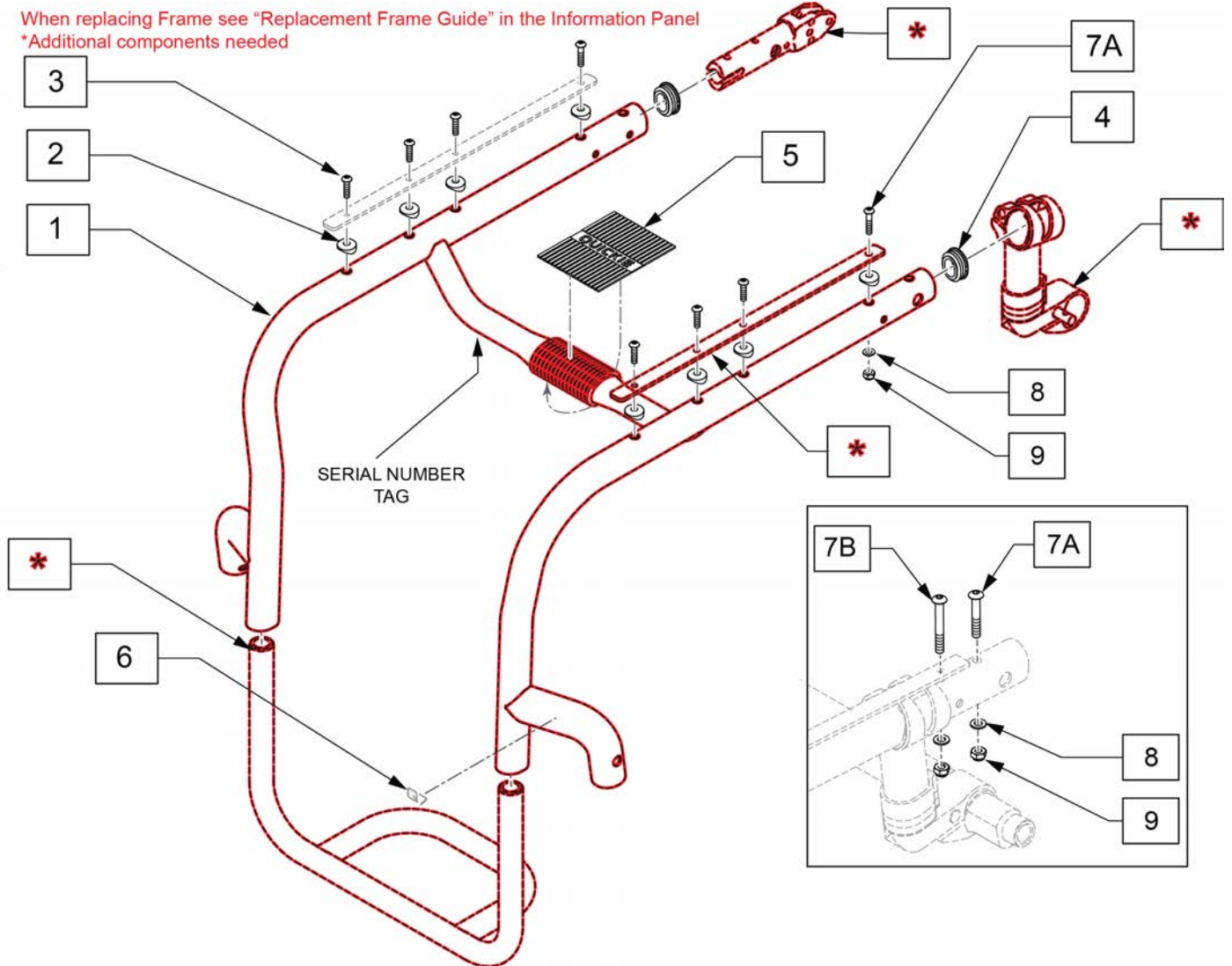
CRUTCH HOLDER	192
QUICKIE CADDY	193
TOOL KIT	194
IMPACT GUARD NEOPRENE & GEL VELCRO PADS.....	195
TIRE PUMP	196
Back Cover	196
Product	197

Note: Frame design update, please order replacement frame from "STANDARD ADJUSTABLE FRAME after S/N R4-002330" page. See Frame Replacement Guide for additional parts needed.

Note: See Back Frame pages for Depth Adjustable Back or Padded Swing-Away Armrest inserts.

Note: For growing the Q7 frame please contact customer service to ensure proper frame is ordered.

Note: Frame Transit Ready as of S/N R4-019761. Replacement frames are retrofitable and ship with hardware for Transit or Non-Transit.



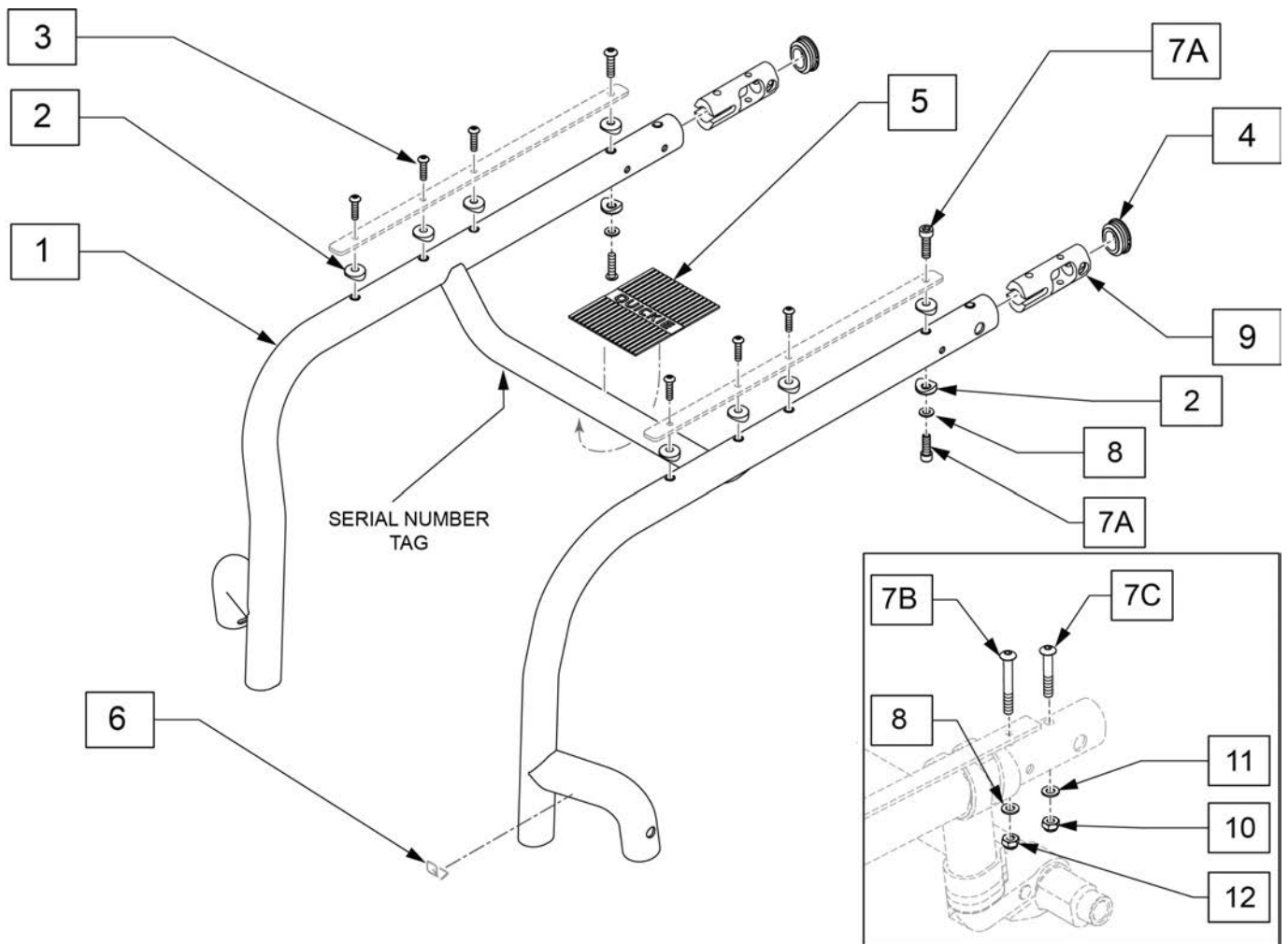
Pos.	Item Number	Description	Remarks
2	482000	SADDLE, SMALL	
3	102259-002	BHCS, M5 X 20	
4	110161	FRAME INSERT, REAR SEAT TUBE	
5	112310	GRIP FRAME CROSS BAR	
6	125519	LABEL QUICKIE Q7 SILVER	
6	125520	LABEL QUICKIE Q7 BLACK	
7A	122916	BHCS M5 X 0.8 X 50 FULL PL	
7B	122917	BHCS M5 X 0.8 X 55 FULL PL	Used with Transit
8	124956	WASHER M5	
9	220121	NUT HEX NYLOCK M5 BLACK	

NOTE: When ordering replacement frames you must provide the seat depth, frame style, front seat height, frame color and if the chair was equipped with Depth Adjustable Back or Ultra Light Wheel Lock.

NOTE: See Back Frame pages for Depth Adjustable Back or Padded Swing-Away Armrest inserts.

NOTE: For growing the Q7 frame please contact customer service to ensure proper frame is ordered.

Note: Frame Transit Ready as of S/N R4-019761. Replacement frames are retrofitable and ship with hardware for Transit or Non-Transit.



Pos.	Item Number	Description	Remarks
2	482000	SADDLE, SMALL	
3	102259-002	BHCS, M5 X 20	
4	110161	FRAME INSERT, REAR SEAT TUBE	
5	128109	ROUND GRIP FRAME CROSS BAR	

Pos.	Item Number	Description	Remarks
6	125519	LABEL QUICKIE Q7 SILVER	
6	125520	LABEL QUICKIE Q7 BLACK	
7A	102263-005	SHCS, M6X1X20, FULL, PL	
7B	102262-008	BHCS,M6X1X50,PART,NP	Used w/ Padded S/A arms & DAB
7C	122916	BHCS M5 X 0.8 X 50 FULL PL	Used w/ Transit
8	250104	WASHER FLAT M6	
9	126803	STANDARD FRAME INSERT OVAL	
10	220121	NUT HEX NYLOCK M5 BLACK	Used w/ Transit
11	124956	WASHER M5	Used w/ Transit
12	104381	NUT HEX NYLOCK M6X1.0 INORG	Used w/ Padded S/A arms & DAB
		"A" FAME ANGLE	
1-7A,8,9	114116S	FRAME A 0I SET1 12	12W,A Frame Ang, 0" Frame Inset, Caster setting 1 - STD Seat Sling
1-7A,8,9	114115S	FRAME A 0I SET2 12	12W,A Frame Ang, 0" Frame Inset, Caster setting 2 - STD Seat Sling
1-7A,8,9	125081S	FRAME A 0I SET3 12W	12W,A Frame Ang, 0" Frame Inset, Caster setting 3 - STD Seat Sling
1-7A,8,9	114118S	FRAME A 1I SET1 12	12W,A Frame Ang, 1" Frame Inset, Caster setting 1 - STD Seat Sling
1-7A,8,9	114117S	FRAME A 1I SET2 12	12W,A Frame Ang, 1" Frame Inset, Caster setting 2 - STD Seat Sling
1-7A,8,9	125082S	FRAME A 1I SET3 12W	12W,A Frame Ang, 1" Frame Inset, Caster setting 3 - STD Seat Sling
1-7A,8,9	114128S	FRAME A 0I SET1 13	13W,A Frame Ang, 0" Frame Inset, Caster setting 1 - STD Seat Sling
1-7A,8,9	114127S	FRAME A 0I SET2 13	13W,A Frame Ang, 0" Frame Inset, Caster setting 2 - STD Seat Sling
1-7A,8,9	125087S	FRAME A 0I SET3 13W	13W,A Frame Ang, 0" Frame Inset, Caster setting 3 - STD Seat Sling
1-7A,8,9	114130S	FRAME A 1I SET1 13	13W,A Frame Ang, 1" Frame Inset, Caster setting 1 - STD Seat Sling
1-7A,8,9	114129S	FRAME A 1I SET2 13	13W,A Frame Ang, 1" Frame Inset, Caster setting 2 - STD Seat Sling
1-7A,8,9	125088S	FRAME A 1I SET3 13W	13W,A Frame Ang, 1" Frame Inset, Caster setting 3 - STD Seat Sling
1-7A,8,9	114140S	FRAME A 0I SET1 14	14W,A Frame Ang, 0" Frame Inset, Caster setting 1 - STD Seat Sling
1-7A,8,9	114139S	FRAME A 0I SET2 14	14W,A Frame Ang, 0" Frame Inset, Caster setting 2 - STD Seat Sling
1-7A,8,9	125234S	FRAME A 0I SET3 14W	14W,A Frame Ang, 0" Frame Inset, Caster setting 3 - STD Seat Sling
1-7A,8,9	114142S	FRAME A 1I SET1 14	14W,A Frame Ang, 1" Frame Inset, Caster setting 1 - STD Seat Sling
1-7A,8,9	114141S	FRAME A 1I SET2 14	14W,A Frame Ang, 1" Frame Inset, Caster setting 2 - STD Seat Sling
1-7A,8,9	125235S	FRAME A 1I SET3 14W	14W,A Frame Ang, 1" Frame Inset, Caster setting 3 - STD Seat Sling
1-7A,8,9	114143S	FRAME A 2I SET2 14	14W,A Frame Ang, 2" Frame Inset, Caster setting 2 - STD Seat Sling
1-7A,8,9	125236S	FRAME A 2I SET3 14W	14W,A Frame Ang, 2" Frame Inset, Caster setting 3 - STD Seat Sling
1-7A,8,9	114155S	FRAME A 0I SET1 15	15W,A Frame Ang, 0" Frame Inset, Caster setting 1 - STD Seat Sling
1-7A,8,9	114154S	FRAME A 0I SET2 15	15W,A Frame Ang, 0" Frame Inset, Caster setting 2 - STD Seat Sling
1-7A,8,9	125243S	FRAME A 0I SET3 15W	15W,A Frame Ang, 0" Frame Inset, Caster setting 3 - STD Seat Sling
1-7A,8,9	114157S	FRAME A 1I SET1 15	15W,A Frame Ang, 1" Frame Inset, Caster setting 1 - STD Seat Sling
1-7A,8,9	114156S	FRAME A 1I SET2 15	15W,A Frame Ang, 1" Frame Inset, Caster setting 2 - STD Seat Sling
1-7A,8,9	125244S	FRAME A 1I SET3 15W	15W,A Frame Ang, 1" Frame Inset, Caster setting 3 - STD Seat Sling
1-7A,8,9	125245S	FRAME A 2I SET3 15W	15W,A Frame Ang, 2" Frame Inset, Caster setting 3 - STD Seat Sling
1-7A,8,9	114158S	FRAME A 2I SET2 15	15W,A Frame Ang, 2" Frame Inset, Caster setting 2 - STD Seat Sling
1-7A,8,9	114170S	FRAME A 0I SET1 16	16W,A Frame Ang, 0" Frame Inset, Caster setting 1 - STD Seat Sling
1-7A,8,9	114169S	FRAME A 0I SET2 16	16W,A Frame Ang, 0" Frame Inset, Caster setting 2 - STD Seat Sling
1-7A,8,9	125252S	FRAME A 0I SET3 16W	16W,A Frame Ang, 0" Frame Inset, Caster setting 3 - STD Seat Sling
1-7A,8,9	114172S	FRAME A 1I SET1 16	16W,A Frame Ang, 1" Frame Inset, Caster setting 1 - STD Seat Sling
1-7A,8,9	114171S	FRAME A 1I SET2 16	16W,A Frame Ang, 1" Frame Inset, Caster setting 2 - STD Seat Sling
1-7A,8,9	125253S	FRAME A 1I SET3 16W	16W,A Frame Ang, 1" Frame Inset, Caster setting 3 - STD Seat Sling
1-7A,8,9	114173S	FRAME A 2I SET2 16	16W,A Frame Ang, 2" Frame Inset, Caster setting 2 - STD Seat Sling
1-7A,8,9	125254S	FRAME A 2I SET3 16W	16W,A Frame Ang, 2" Frame Inset, Caster setting 3 - STD Seat Sling
1-7A,8,9	114185S	FRAME A 0I SET1 17	17W,A Frame Ang, 0" Frame Inset, Caster setting 1 - STD Seat Sling
1-7A,8,9	114184S	FRAME A 0I SET2 17	17W,A Frame Ang, 0" Frame Inset, Caster setting 2 - STD Seat Sling
1-7A,8,9	125261S	FRAME A 0I SET3 17W	17W,A Frame Ang, 0" Frame Inset, Caster setting 3 - STD Seat Sling
1-7A,8,9	114187S	FRAME A 1I SET1 17	17W,A Frame Ang, 1" Frame Inset, Caster setting 1 - STD Seat Sling
1-7A,8,9	114186S	FRAME A 1I SET2 17	17W,A Frame Ang, 1" Frame Inset, Caster setting 2 - STD Seat Sling
1-7A,8,9	125262S	FRAME A 1I SET3 17W	17W,A Frame Ang, 1" Frame Inset, Caster setting 3 - STD Seat Sling
1-7A,8,9	114188S	FRAME A 2I SET2 17	17W,A Frame Ang, 2" Frame Inset, Caster setting 2 - STD Seat Sling
1-7A,8,9	125263S	FRAME A 2I SET3 17W	17W,A Frame Ang, 2" Frame Inset, Caster setting 3 - STD Seat Sling
1-7A,8,9	114200S	FRAME A 0I SET1 18	18W,A Frame Ang, 0" Frame Inset, Caster setting 1 - STD Seat Sling
1-7A,8,9	114199S	FRAME A 0I SET2 18	18W,A Frame Ang, 0" Frame Inset, Caster setting 2 - STD Seat Sling

Pos.	Item Number	Description	Remarks
1-7A,8,9	114167S	FRAME C 1I SET1 15	15W,C Frame Ang, 1" Frame Inset, Caster setting 1 - STD Seat Sling
1-7A,8,9	114166S	FRAME C 1I SET2 15	15W,C Frame Ang, 1" Frame Inset, Caster setting 2 - STD Seat Sling
1-7A,8,9	125250S	FRAME C 1I SET3 15W	15W,C Frame Ang, 1" Frame Inset, Caster setting 3 - STD Seat Sling
1-7A,8,9	114168S	FRAME C 2I SET2 15	15W,C Frame Ang, 2" Frame Inset, Caster setting 2 - STD Seat Sling
1-7A,8,9	125251S	FRAME C 2I SET3 15W	15W,C Frame Ang, 2" Frame Inset, Caster setting 3 - STD Seat Sling
1-7A,8,9	114180S	FRAME C 0I SET1 16	16W,C Frame Ang, 0" Frame Inset, Caster setting 1 - STD Seat Sling
1-7A,8,9	114179S	FRAME C 0I SET2 16	16W,C Frame Ang, 0" Frame Inset, Caster setting 2 - STD Seat Sling
1-7A,8,9	125258S	FRAME C 0I SET3 16W	16W,C Frame Ang, 0" Frame Inset, Caster setting 3 - STD Seat Sling
1-7A,8,9	114182S	FRAME C 1I SET1 16	16W,C Frame Ang, 1" Frame Inset, Caster setting 1 - STD Seat Sling
1-7A,8,9	114181S	FRAME C 1I SET2 16	16W,C Frame Ang, 1" Frame Inset, Caster setting 2 - STD Seat Sling
1-7A,8,9	125259S	FRAME C 1I SET3 16W	16W,C Frame Ang, 1" Frame Inset, Caster setting 3 - STD Seat Sling
1-7A,8,9	114183S	FRAME C 2I SET2 16	16W,C Frame Ang, 2" Frame Inset, Caster setting 2 - STD Seat Sling
1-7A,8,9	125260S	FRAME C 2I SET3 16W	16W,C Frame Ang, 2" Frame Inset, Caster setting 3 - STD Seat Sling
1-7A,8,9	114195S	FRAME C 0I SET1 17	17W,C Frame Ang, 0" Frame Inset, Caster setting 1 - STD Seat Sling
1-7A,8,9	114194S	FRAME C 0I SET2 17	17W,C Frame Ang, 0" Frame Inset, Caster setting 2 - STD Seat Sling
1-7A,8,9	125267S	FRAME C 0I SET3 17W	17W,C Frame Ang, 0" Frame Inset, Caster setting 3 - STD Seat Sling
1-7A,8,9	114197S	FRAME C 1I SET1 17	17W,C Frame Ang, 1" Frame Inset, Caster setting 1 - STD Seat Sling
1-7A,8,9	114196S	FRAME C 1I SET2 17	17W,C Frame Ang, 1" Frame Inset, Caster setting 2 - STD Seat Sling
1-7A,8,9	125268S	FRAME C 1I SET3 17W	17W,C Frame Ang, 1" Frame Inset, Caster setting 3 - STD Seat Sling
1-7A,8,9	114198S	FRAME C 2I SET2 17	17W,C Frame Ang, 2" Frame Inset, Caster setting 2 - STD Seat Sling
1-7A,8,9	125269S	FRAME C 2I SET3 17W	17W,C Frame Ang, 2" Frame Inset, Caster setting 3 - STD Seat Sling
1-7A,8,9	114210S	FRAME C 0I SET1 18	18W,C Frame Ang, 0" Frame Inset, Caster setting 1 - STD Seat Sling
1-7A,8,9	114209S	FRAME C 0I SET2 18	18W,C Frame Ang, 0" Frame Inset, Caster setting 2 - STD Seat Sling
1-7A,8,9	125135S	FRAME C 0I SET3 18W	18W,C Frame Ang, 0" Frame Inset, Caster setting 3 - STD Seat Sling
1-7A,8,9	114212S	FRAME C 1I SET1 18	18W,C Frame Ang, 1" Frame Inset, Caster setting 1 - STD Seat Sling
1-7A,8,9	114211S	FRAME C 1I SET2 18	18W,C Frame Ang, 1" Frame Inset, Caster setting 2 - STD Seat Sling
1-7A,8,9	125136S	FRAME C 1I SET3 18W	18W,C Frame Ang, 1" Frame Inset, Caster setting 3 - STD Seat Sling
1-7A,8,9	114213S	FRAME C 2I SET2 18	18W,C Frame Ang, 2" Frame Inset, Caster setting 2 - STD Seat Sling
1-7A,8,9	125137S	FRAME C 2I SET3 18W	18W,C Frame Ang, 2" Frame Inset, Caster setting 3 - STD Seat Sling
1-7A,8,9	114225S	FRAME C 0I SET1 19	19W,C Frame Ang, 0" Frame Inset, Caster setting 1 - STD Seat Sling
1-7A,8,9	114224S	FRAME C 0I SET2 19	19W,C Frame Ang, 0" Frame Inset, Caster setting 2 - STD Seat Sling
1-7A,8,9	125144S	FRAME C 0I SET3 19W	19W,C Frame Ang, 0" Frame Inset, Caster setting 3 - STD Seat Sling
1-7A,8,9	114227S	FRAME C 1I SET1 19	19W,C Frame Ang, 1" Frame Inset, Caster setting 1 - STD Seat Sling
1-7A,8,9	114226S	FRAME C 1I SET2 19	19W,C Frame Ang, 1" Frame Inset, Caster setting 2 - STD Seat Sling
1-7A,8,9	125145S	FRAME C 1I SET3 19W	19W,C Frame Ang, 1" Frame Inset, Caster setting 3 - STD Seat Sling
1-7A,8,9	114228S	FRAME C 2I SET2 19	19W,C Frame Ang, 2" Frame Inset, Caster setting 2 - STD Seat Sling
1-7A,8,9	125146S	FRAME C 2I SET3 19W	19W,C Frame Ang, 2" Frame Inset, Caster setting 3 - STD Seat Sling
1-7A,8,9	114240S	FRAME C 0I SET1 20	20W,C Frame Ang, 0" Frame Inset, Caster setting 1 - STD Seat Sling
1-7A,8,9	114239S	FRAME C 0I SET2 20	20W,C Frame Ang, 0" Frame Inset, Caster setting 2 - STD Seat Sling
1-7A,8,9	125153S	FRAME C 0I SET3 20W	20W,C Frame Ang, 0" Frame Inset, Caster setting 3 - STD Seat Sling
1-7A,8,9	114242S	FRAME C 1I SET1 20	20W,C Frame Ang, 1" Frame Inset, Caster setting 1 - STD Seat Sling
1-7A,8,9	114241S	FRAME C 1I SET2 20	20W,C Frame Ang, 1" Frame Inset, Caster setting 2 - STD Seat Sling
1-7A,8,9	125154S	FRAME C 1I SET3 20W	20W,C Frame Ang, 1" Frame Inset, Caster setting 3 - STD Seat Sling
1-7A,8,9	114243S	FRAME C 2I SET2 20	20W,C Frame Ang, 2" Frame Inset, Caster setting 2 - STD Seat Sling
1-7A,8,9	125155S	FRAME C 2I SET3 20W	20W,C Frame Ang, 2" Frame Inset, Caster setting 3 - STD Seat Sling

Note: Frame design update, please order replacement frame from "STANDARD ADJUSTABLE FRAME after S/N R4-002330" page. See Frame Replacement Guide for additional parts needed.

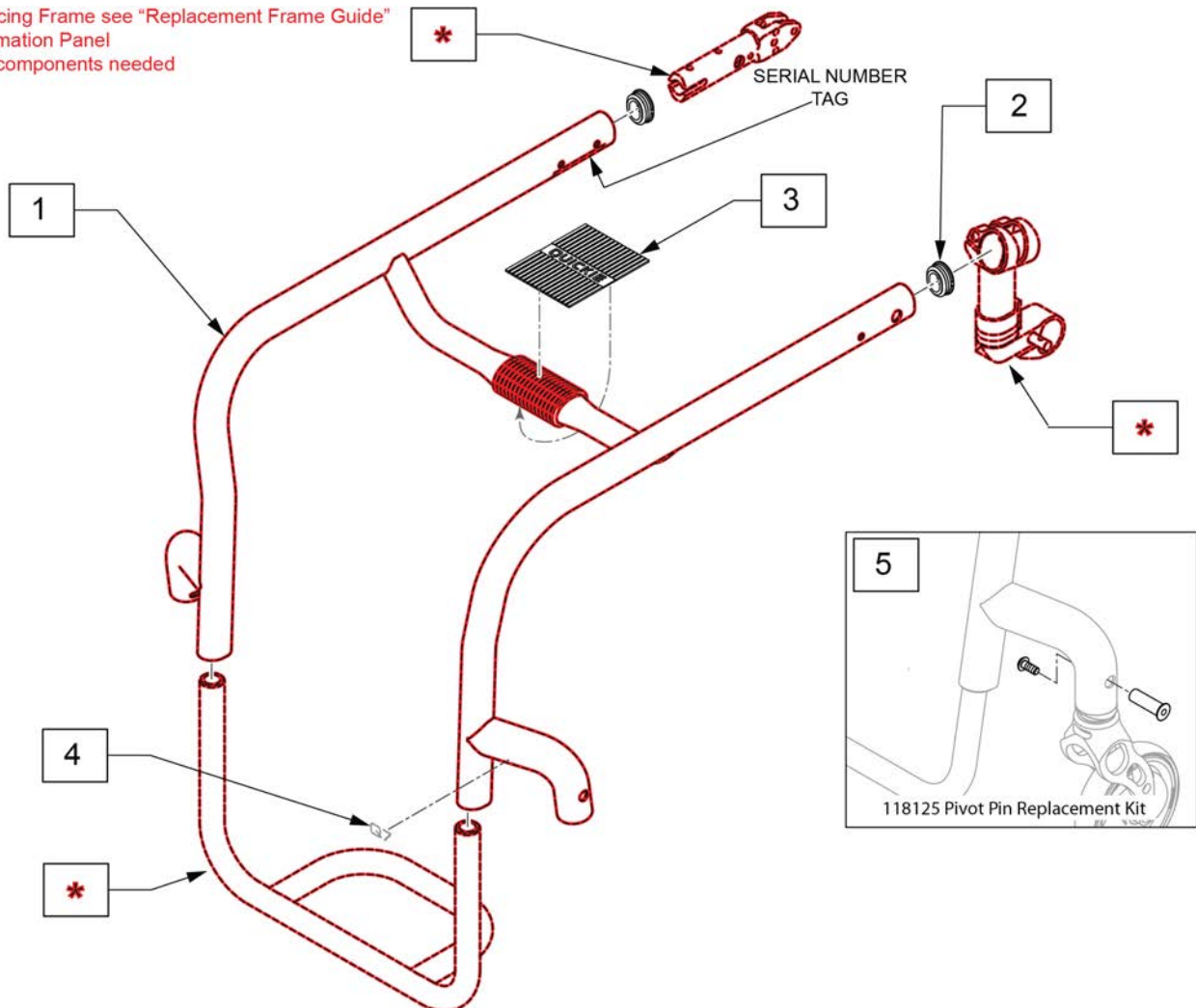
NOTE: See Back Frame pages for Depth Adjustable Back or Padded Swing-Away Armrest inserts.

NOTE: To ensure order accuracy Please use the PART FINDER by SERIAL NUMBER to get the correct replacement Frame for the Q7.

NOTE: For growing the Q7 frame please contact customer service to ensure proper frame is ordered.

NOTE: Frame replacements for chairs prior to R4-011176 may need item #118125. Pivot Pin Replacement Kit (Qty 1) if not previously upgraded.

When replacing Frame see "Replacement Frame Guide" in the Information Panel
 *Additional components needed



Pos.	Item Number	Description	Remarks
2	110161	FRAME INSERT, REAR SEAT TUBE	
3	112310	GRIP FRAME CROSS BAR	
4	113355	DECAL QUICKIE Q7 CAST BLACK	
4	113356	DECAL QUICKIE Q7 CAST SILVER	
5	118125	PIVOT PIN REPLACEMENT KIT	Pair

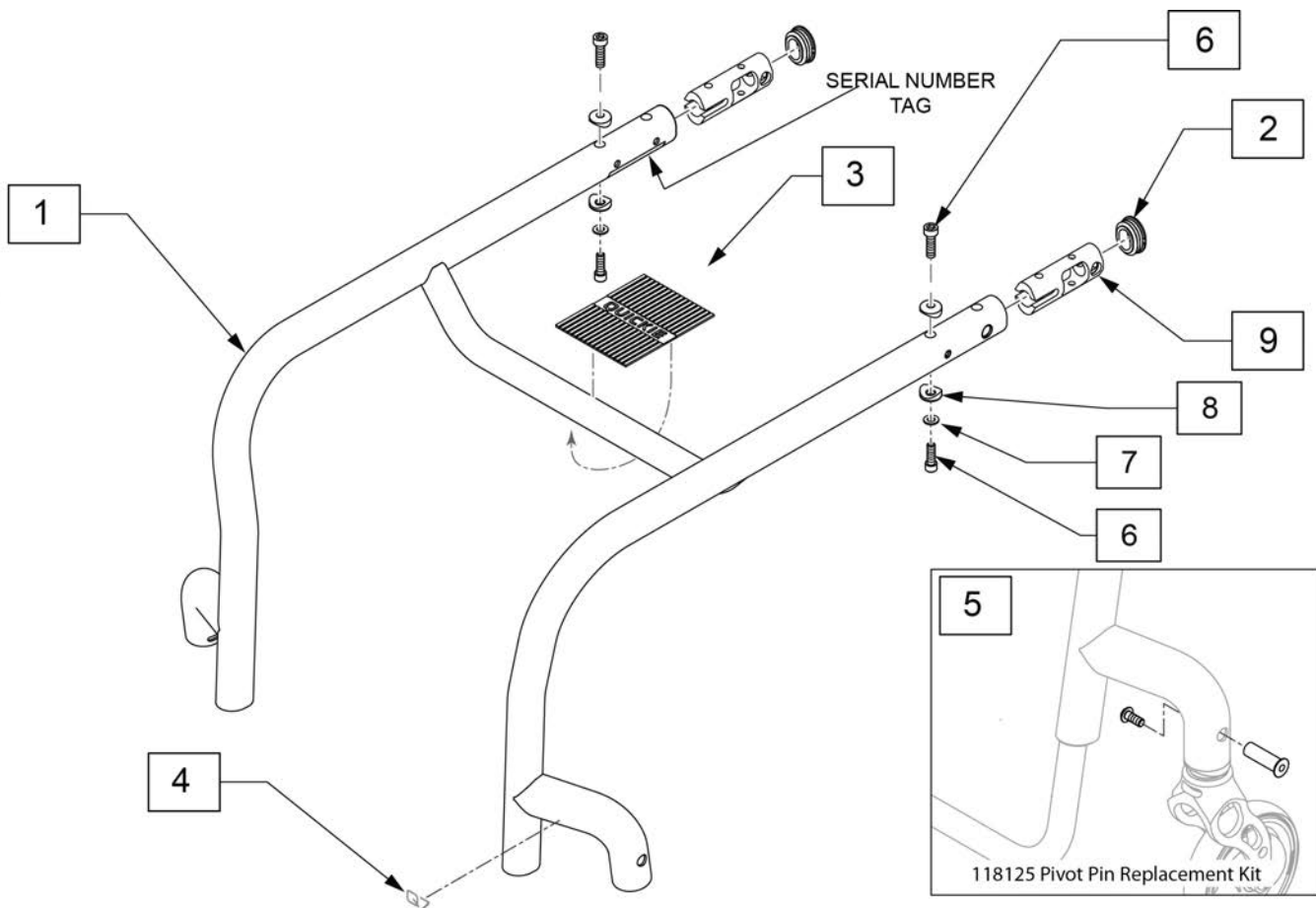
NOTE: When ordering replacement frames you must provide the seat depth, frame style, front seat height, frame color and if the chair was equipped with Depth Adjustable Back or Ultra Light Wheel Lock.

NOTE: See Back Frame pages for Depth Adjustable Back or Padded Swing-Away Armrest inserts.

NOTE: To ensure order accuracy Please use the PART FINDER by SERIAL NUMBER to get the correct replacement Frame for the Q7.

NOTE: For growing the Q7 frame please contact customer service to ensure proper frame is ordered.

NOTE: Frame replacements for chairs prior to R4-011176 may need item #118125. Pivot Pin Replacement Kit (Qty 1) if not previously upgraded.

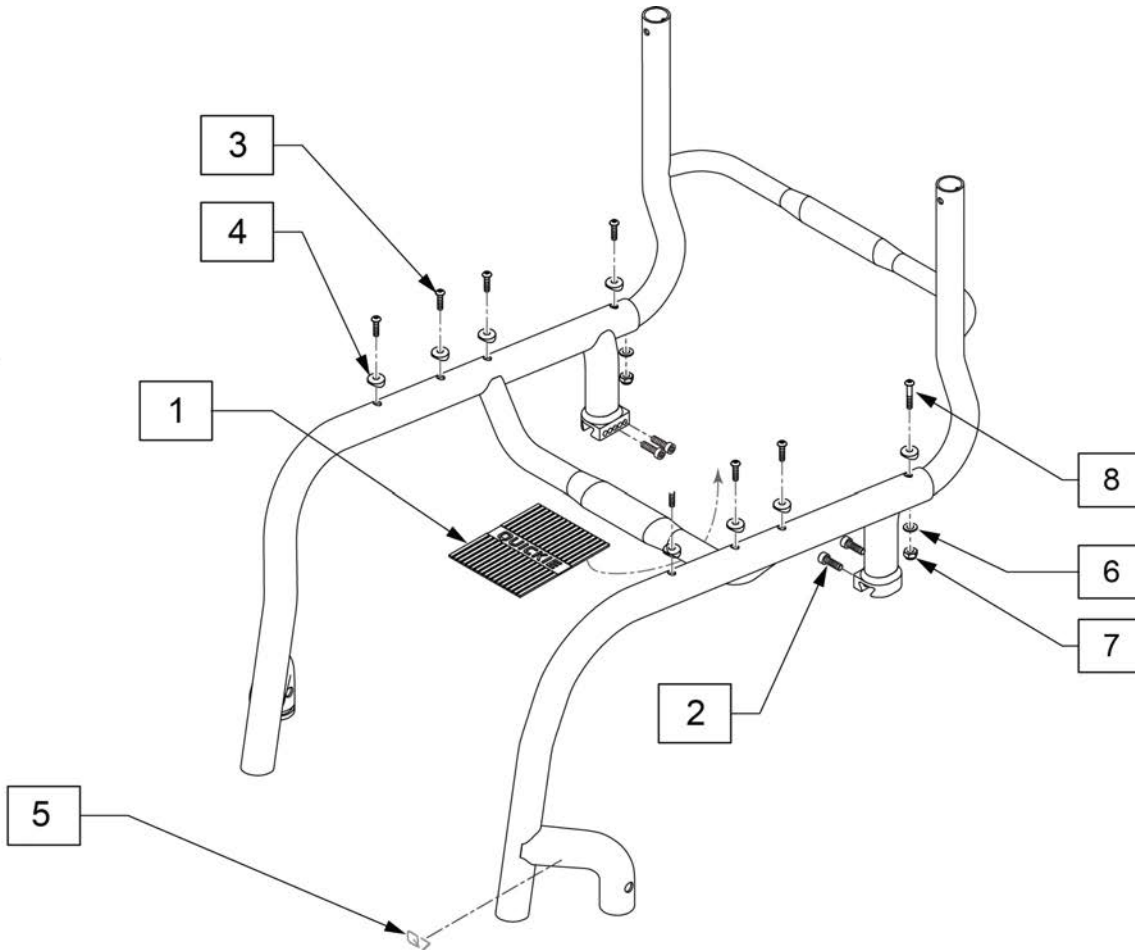


Pos.	Item Number	Description	Remarks
2	110161	FRAME INSERT, REAR SEAT TUBE	
3	128109	ROUND GRIP FRAME CROSS BAR	
4	113355	DECAL QUICKIE Q7 CAST BLACK	

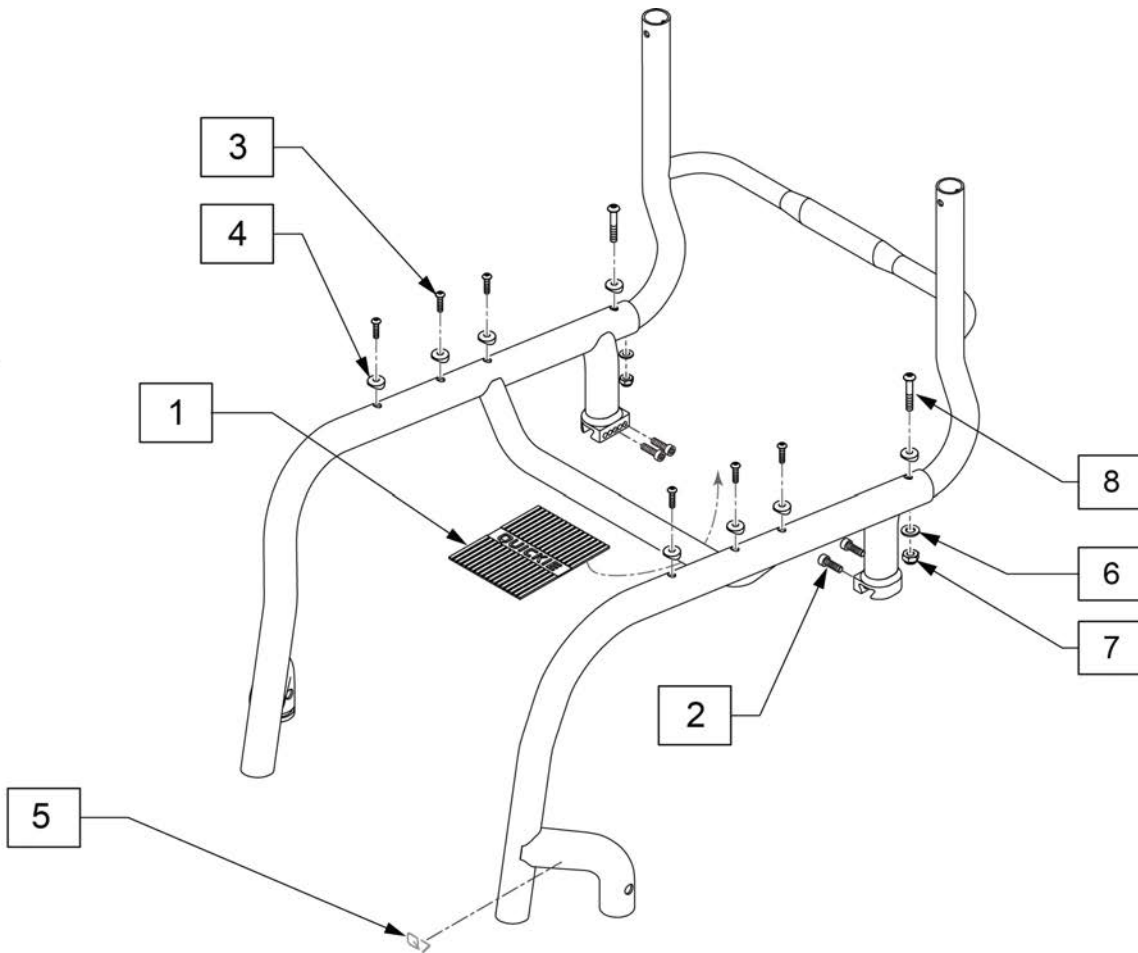
Pos.	Item Number	Description	Remarks
4	113356	DECAL QUICKIE Q7 CAST SILVER	
5	118125	PIVOT PIN REPLACEMENT KIT	Pair
6	102263-005	SHCS, M6X1X20, FULL, PL	
7	250104	WASHER FLAT M6	
8	482000	SADDLE, SMALL	
9	126803	STANDARD FRAME INSERT OVAL	
"A" FRAME ANGLE			
1-4	114245S	FRM A W/O RIV 0I SET1 12	Ultra lite seat sling only-12W,A Frame Ang, 0" Frame Inset, Caster setting 1
1-4	114244S	FRM A W/O RIV 0I SET2 12	Ultra lite seat sling only-12W,A Frame Ang, 0" Frame Inset, Caster setting 2
1-4	125156S	FRM A W/O RIV 0I SET3 12W	Ultra lite seat sling only-12W,A Frame Ang, 0" Frame Inset, Caster setting 3
1-4	114247S	FRM A W/O RIV 1I SET1 12	Ultra lite seat sling only-12W,A Frame Ang, 1" Frame Inset, Caster setting 1
1-4	114246S	FRM A W/O RIV 1I SET2 12	Ultra lite seat sling only-12W,A Frame Ang, 1" Frame Inset, Caster setting 2
1-4	125157S	FRM A W/O RIV 1I SET3 12W	Ultra lite seat sling only-12W,A Frame Ang, 1" Frame Inset, Caster setting 3
1-4	114257S	FRM A W/O RIV 0I SET1 13	Ultra lite seat sling only-13W,A Frame Ang, 0" Frame Inset, Caster setting 1
1-4	114256S	FRM A W/O RIV 0I SET2 13	Ultra lite seat sling only-13W,A Frame Ang, 0" Frame Inset, Caster setting 2
1-4	125162S	FRM A W/O RIV 0I SET3 13W	Ultra lite seat sling only-13W,A Frame Ang, 0" Frame Inset, Caster setting 3
1-4	114259S	FRM A W/O RIV 1I SET1 13	Ultra lite seat sling only-13W,A Frame Ang, 1" Frame Inset, Caster setting 1
1-4	114258S	FRM A W/O RIV 1I SET2 13	Ultra lite seat sling only-13W,A Frame Ang, 1" Frame Inset, Caster setting 2
1-4	125163S	FRM A W/O RIV 1I SET3 13W	Ultra lite seat sling only-13W,A Frame Ang, 1" Frame Inset, Caster setting 3
1-4	114269S	FRM A W/O RIV 0I SET1 14	Ultra lite seat sling only-14W,A Frame Ang, 0" Frame Inset, Caster setting 1
1-4	114268S	FRM A W/O RIV 0I SET2 14	Ultra lite seat sling only-14W,A Frame Ang, 0" Frame Inset, Caster setting 2
1-4	125168S	FRM A W/O RIV 0I SET3 14W	Ultra lite seat sling only-14W,A Frame Ang, 0" Frame Inset, Caster setting 3
1-4	114271S	FRM A W/O RIV 1I SET1 14	Ultra lite seat sling only-14W,A Frame Ang, 1" Frame Inset, Caster setting 1
1-4	114270S	FRM A W/O RIV 1I SET2 14	Ultra lite seat sling only-14W,A Frame Ang, 1" Frame Inset, Caster setting 2
1-4	125169S	FRM A W/O RIV 1I SET3 14W	Ultra lite seat sling only-14W,A Frame Ang, 1" Frame Inset, Caster setting 3
1-4	114272S	FRM A W/O RIV 2I SET2 14	Ultra lite seat sling only-14W,A Frame Ang, 2" Frame Inset, Caster setting 2
1-4	125170S	FRM A W/O RIV 2I SET3 14W	Ultra lite seat sling only-14W,A Frame Ang, 2" Frame Inset, Caster setting 3
1-4	114284S	FRM A W/O RIV 0I SET1 15	Ultra lite seat sling only-15W,A Frame Ang, 0" Frame Inset, Caster setting 1
1-4	114283S	FRM A W/O RIV 0I SET2 15	Ultra lite seat sling only-15W,A Frame Ang, 0" Frame Inset, Caster setting 2
1-4	125177S	FRM A W/O RIV 0I SET3 15W	Ultra lite seat sling only-15W,A Frame Ang, 0" Frame Inset, Caster setting 3
1-4	114286S	FRM A W/O RIV 1I SET1 15	Ultra lite seat sling only-15W,A Frame Ang, 1" Frame Inset, Caster setting 1
1-4	114285S	FRM A W/O RIV 1I SET2 15	Ultra lite seat sling only-15W,A Frame Ang, 1" Frame Inset, Caster setting 2
1-4	125178S	FRM A W/O RIV 1I SET3 15W	Ultra lite seat sling only-15W,A Frame Ang, 1" Frame Inset, Caster setting 3
1-4	114287S	FRM A W/O RIV 2I SET2 15	Ultra lite seat sling only-15W,A Frame Ang, 2" Frame Inset, Caster setting 2
1-4	125179S	FRM A W/O RIV 2I SET3 15W	Ultra lite seat sling only-15W,A Frame Ang, 2" Frame Inset, Caster setting 3
1-4	114299S	FRM A W/O RIV 0I SET1 16	Ultra lite seat sling only-16W,A Frame Ang, 0" Frame Inset, Caster setting 1
1-4	114298S	FRM A W/O RIV 0I SET2 16	Ultra lite seat sling only-16W,A Frame Ang, 0" Frame Inset, Caster setting 2
1-4	125186S	FRM A W/O RIV 0I SET3 16W	Ultra lite seat sling only-16W,A Frame Ang, 0" Frame Inset, Caster setting 3
1-4	114301S	FRM A W/O RIV 1I SET1 16	Ultra lite seat sling only-16W,A Frame Ang, 1" Frame Inset, Caster setting 1
1-4	114300S	FRM A W/O RIV 1I SET2 16	Ultra lite seat sling only-16W,A Frame Ang, 1" Frame Inset, Caster setting 2
1-4	125187S	FRM A W/O RIV 1I SET3 16W	Ultra lite seat sling only-16W,A Frame Ang, 1" Frame Inset, Caster setting 3
1-4	114314S	FRM A W/O RIV 0I SET1 17	Ultra lite seat sling only-17W,A Frame Ang, 0" Frame Inset, Caster setting 1
1-4	114313S	FRM A W/O RIV 0I SET2 17	Ultra lite seat sling only-17W,A Frame Ang, 0" Frame Inset, Caster setting 2
1-4	125195S	FRM A W/O RIV 0I SET3 17W	Ultra lite seat sling only-17W,A Frame Ang, 0" Frame Inset, Caster setting 3
1-4	114316S	FRM A W/O RIV 1I SET1 17	Ultra lite seat sling only-17W,A Frame Ang, 1" Frame Inset, Caster setting 1
1-4	114315S	FRM A W/O RIV 1I SET2 17	Ultra lite seat sling only-17W,A Frame Ang, 1" Frame Inset, Caster setting 2
1-4	125196S	FRM A W/O RIV 1I SET3 17W	Ultra lite seat sling only-17W,A Frame Ang, 1" Frame Inset, Caster setting 3
1-4	114317S	FRM A W/O RIV 2I SET2 17	Ultra lite seat sling only-17W,A Frame Ang, 2" Frame Inset, Caster setting 2
1-4	125197S	FRM A W/O RIV 2I SET3 17W	Ultra lite seat sling only-17W,A Frame Ang, 2" Frame Inset, Caster setting 3
1-4	114329S	FRM A W/O RIV 0I SET1 18	Ultra lite seat sling only-18W,A Frame Ang, 0" Frame Inset, Caster setting 1
1-4	114328S	FRM A W/O RIV 0I SET2 18	Ultra lite seat sling only-18W,A Frame Ang, 0" Frame Inset, Caster setting 2
1-4	125204S	FRM A W/O RIV 0I SET3 18W	Ultra lite seat sling only-18W,A Frame Ang, 0" Frame Inset, Caster setting 3
1-4	114331S	FRM A W/O RIV 1I SET1 18	Ultra lite seat sling only-18W,A Frame Ang, 1" Frame Inset, Caster setting 1
1-4	114330S	FRM A W/O RIV 1I SET2 18	Ultra lite seat sling only-18W,A Frame Ang, 1" Frame Inset, Caster setting 2
1-4	125205S	FRM A W/O RIV 1I SET3 18W	Ultra lite seat sling only-18W,A Frame Ang, 1" Frame Inset, Caster setting 3
1-4	114332S	FRM A W/O RIV 2I SET2 18	Ultra lite seat sling only-18W,A Frame Ang, 2" Frame Inset, Caster setting 2
1-4	125206S	FRM A W/O RIV 2I SET3 18W	Ultra lite seat sling only-18W,A Frame Ang, 2" Frame Inset, Caster setting 3

Note: Frame not available as replacement part, for warranty replacement see Customer Service.

Note: Frame design update, please order replacement frame from "STANDARD ADJUSTABLE FRAME after S/N R4-002330" page. See Frame Replacement Guide for additional parts needed.



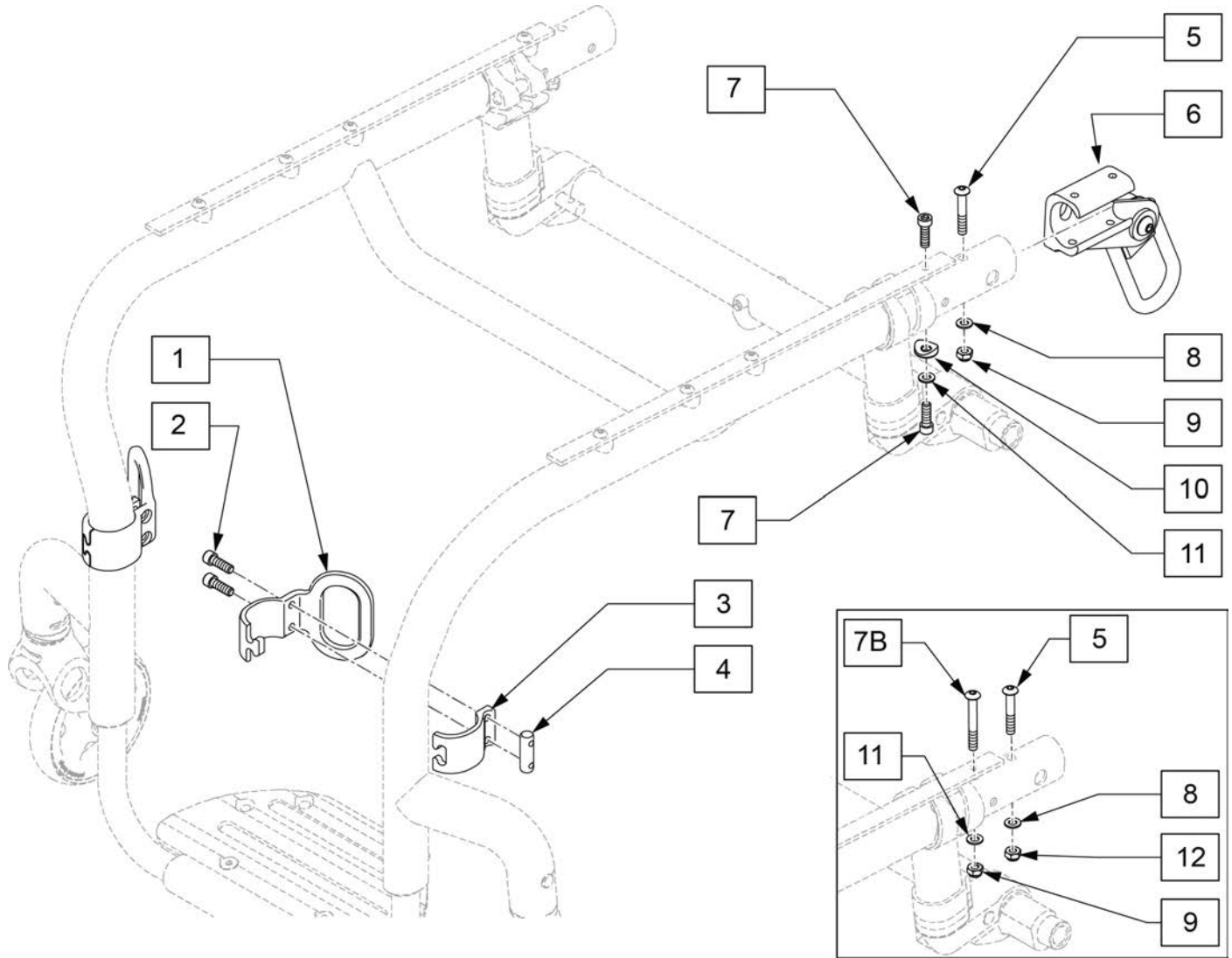
Pos.	Item Number	Description
1	112310	GRIP FRAME CROSS BAR
2	113317	SHCS M5X0.8X25 FULL PL
3	482000	SADDLE, SMALL
4	102259-002	BHCS, M5 X 20
5	113355	DECAL QUICKIE Q7 CAST BLACK
5	113356	DECAL QUICKIE Q7 CAST SILVER
6	124956	WASHER M5
7	220121	NUT HEX NYLOCK M5 BLACK
8	122916	BHCSM5X0.8X50FULLPL



Pos.	Item Number	Description
1	128109	ROUND GRIP FRAME CROSS BAR
2	113317	SHCS M5X0.8X25 FULL PL
3	102259-002	BHCS, M5 X 20
4	482000	SADDLE, SMALL
5	113355	DECAL QUICKIE Q7 CAST BLACK
5	113356	DECAL QUICKIE Q7 CAST SILVER
6	250104	WASHER FLAT M6
7	104381	NUT HEX NYLOCK M6X1.0 INORG
8	102262-008	BHCS,M6X1X50,PART,NP

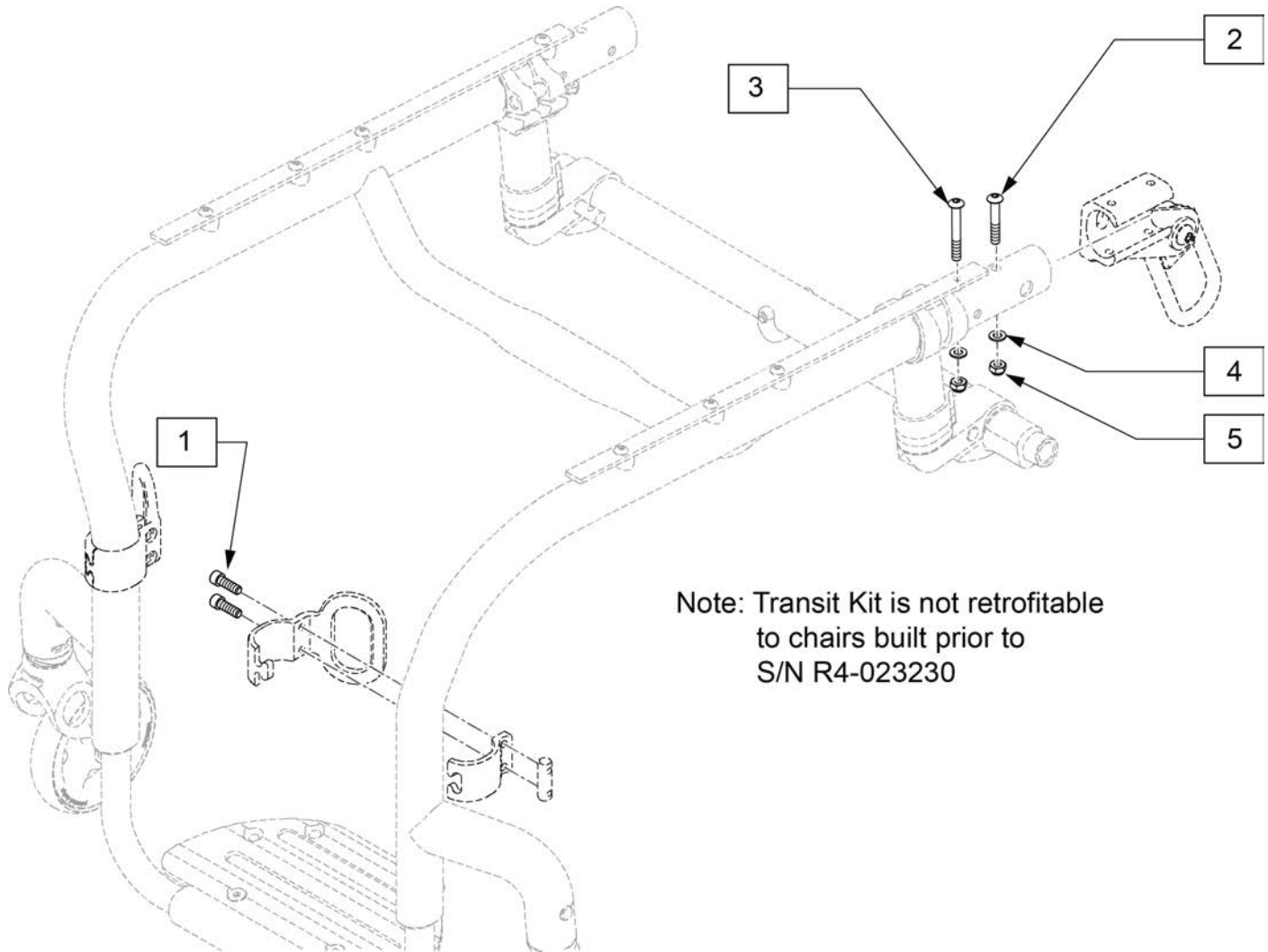
Note:Frame not available as replacement part, for warranty replacement see Customer Service.

NOTE: Transit option not available with Xtender.



Pos.	Item Number	Description	Remarks
2	112341	SHCS M5X0.8X16 FULL PL	
5	122916	BHCSM5X0.8X50FULLPL	
7A	102263-005	SHCS, M6 x 1 x 20, FULL, P	
7B	102262-008	BHCS,M6X1X50,PART,NP	Used w/ Padded S/A arms & DAB
8	124956	WASHER M5	
9	220121	NUT HEX NYLOCK M5 BLACK	
10	482000	SADDLE SMALL 1.00 TUBE .25 HOLE	
11	250104	WASHER FLAT M6	
1-11	125329	TRANSIT KIT Q7 WC19	
12	104381	NUT HEX NYLOCK M6X1.0 INORG	

Note: Prior to S/N R4-019761, a new frame is required. If applicable New Depth Adjustable Back inserts or Padded Swing-away receivers are required as well.



Note: Transit Kit is not retrofitable to chairs built prior to S/N R4-023230

Pos.	Item Number	Description
1	112341	SHCS M5X0.8X16 FULL PL
2	122916	BHCSM5X0.8X50FULLPL
3	122917	BHCSM5X0.8X55FULLPL
4	124956	WASHER M5
5	220121	NUT HEX NYLOCK M5 BLACK

Note: For chairs with S/N prior to R4-023230 no individual parts are available , please order complete Axle Plate assembly.

NOTE: When changing the chairs REAR SEAT to Floor Height, refer to Dimension "C" below. If 'increasing' or 'decreasing' the height determine the current length "C" and then move up or down the chart until you 'increase' or 'decrease' to get to the desired height. Then order the corresponding Axle Plate size. EXAMPLE: If the dimension "C" was 3.70" and I wanted to increase the Rear Seat to Floor height by 2", I would find a 5.70" dimension "C" which would correspond to a number 8 Axle Plate and utilize 1 spacer.

AXLE PLATE MEASURING GUIDE

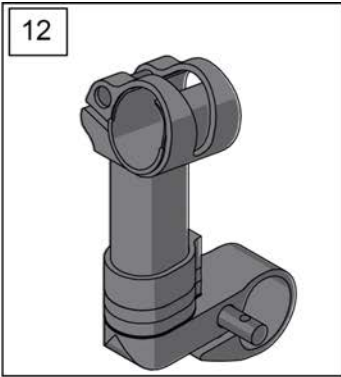
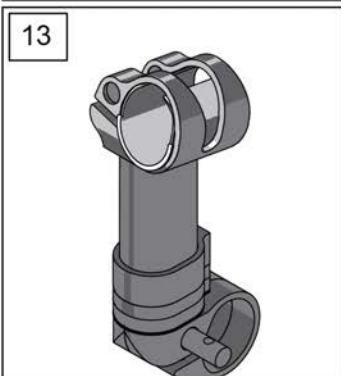
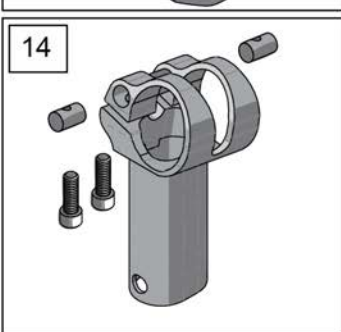
SIZE	DIM "A"
1	1 5/8
2	2 1/8
3	2 5/8
4	3 1/8
5	3 5/8
6	4 1/8
7	4 5/8
8	5 1/8

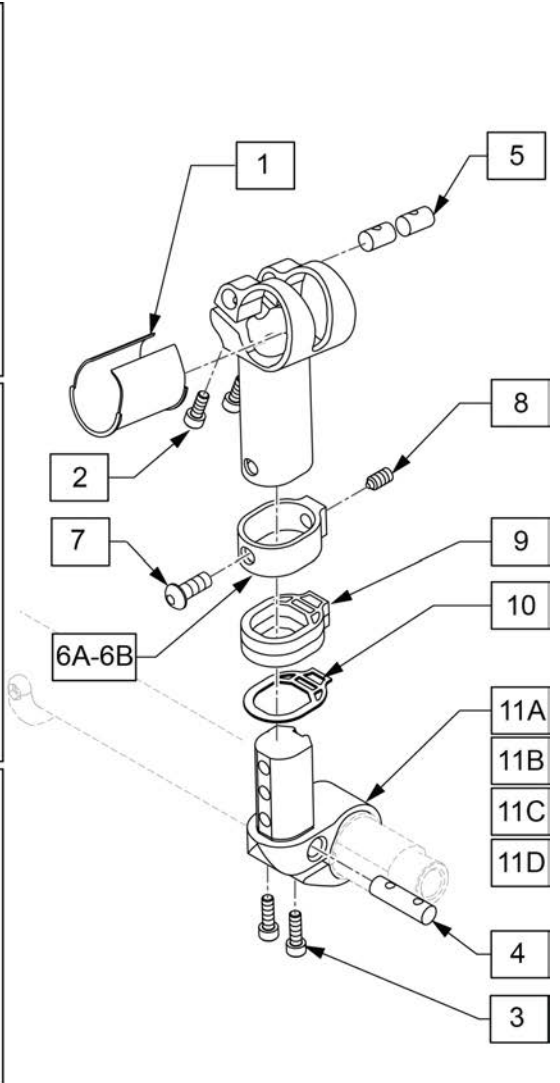
CAMBER TUBE CLAMP MEASURING GUIDE

	PART #	DIM "B"	DIM "D"
STANDARD	STD	1 1/2	2 1/2
	SHORT	3/4	2 1/2
COG	STD	1 1/2	3 1/2
	SHORT	3/4	3 1/2

SPACER MEASURING GUIDE

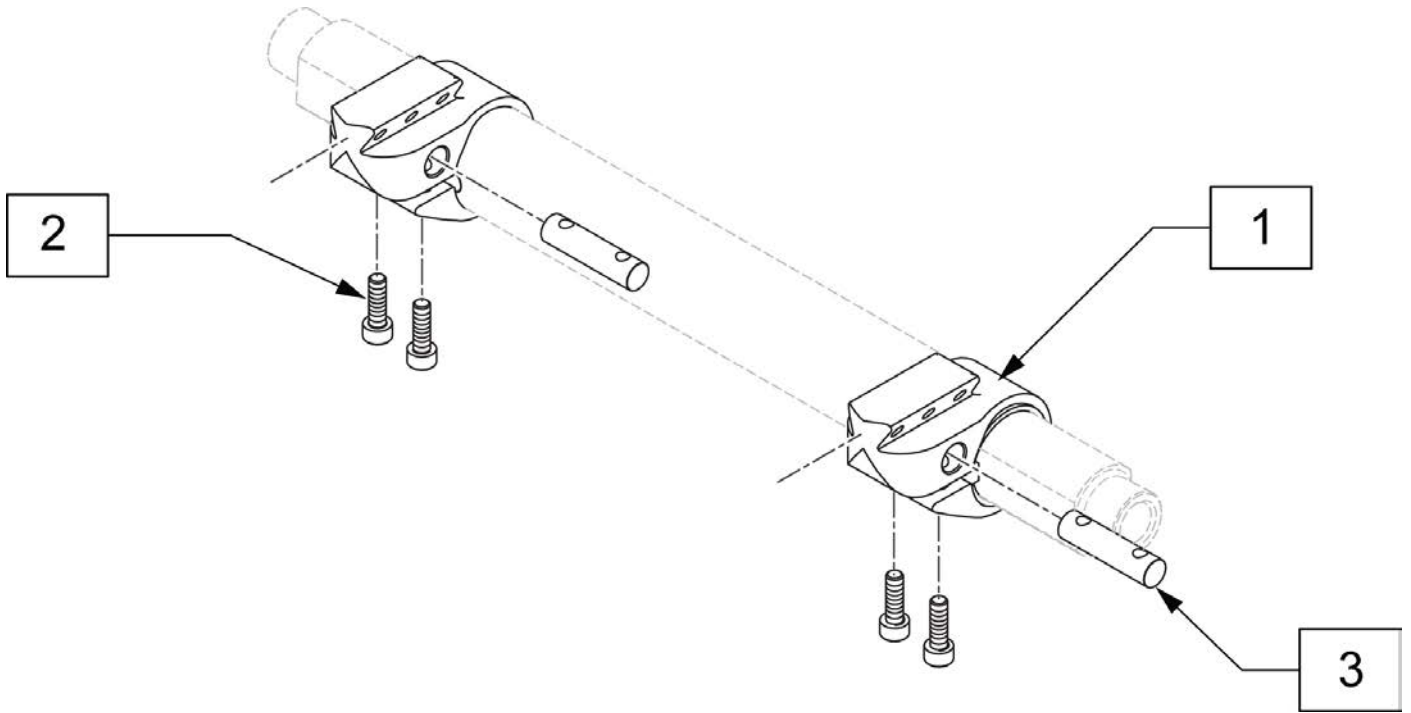
AXLE PLATE SIZE	SPACER	DIM "C"
1	No Spacers	1.70
	1 Spacer	2.20
	2 Spacers	2.70
2	No Spacers	2.20
	1 Spacer	2.70
	2 Spacers	3.20
3	No Spacers	2.70
	1 Spacer	3.20
	2 Spacers	3.70
4	No Spacers	3.20
	1 Spacer	3.70
	2 Spacers	4.20
5	No Spacers	3.70
	1 Spacer	4.20
	2 Spacers	4.70
6	No Spacers	4.20
	1 Spacer	4.70
	2 Spacers	5.20
7	No Spacers	4.70
	1 Spacer	5.20
	2 Spacers	5.70
8	No Spacers	5.20
	1 Spacer	5.70
	2 Spacers	6.20



Pos.	Item Number	Description	Remarks
1	066505	AXLE STEM SLEEVE	
2	103181	SHCS M5 x 0.8 x 14 w/ PL	
3	112341	SHCS M5X0.8X16,FULL,PL	
4	112655	ROUND NUT SIZE 4	
5	112653	ROUND NUT SIZE 2	
6A,7,8	114382	AXLE TUBE CLAMP W/SCRW (PR)	Pair - black
6B	117171S	AXLE TUBE SPCR CSTM ANO	Each-Choose custom anodized color
7	230113	BHCS M6 X 1 X 12	

Pos.	Item Number	Description	Remarks
8	102267	SET SCREW M8 X 16 DOG PT	
9	126800	AXLE TUBE SPACER	See note. Not used with short camber tube clamp
10	126801	AXLE TUBE SPACER, THIN	This part used in all configurations
11A	126787	CAMBER TUBE CLAMP	See note.
11B	126788	CAMBER TUBE CLAMP SHORT	See note. Short, only used w/ axle plate 1
11C	126789	CAMBER CLAMP COG	See note.
11D	126790	CAMBER CLAMP COG SHORT	See note. Short, only used w/ axle plate 1
3,4,11A	114399	CAMBER TUBE CLAMP STD KIT	Standard
3,4,11B	114400	CAMBER TUBE CLAMP SHT KIT	Short, only used with Axle Plate 1
3,4,11C	125786	EXTENDED COG CAMBER CLAMP STD	
3,4,11D	125787	EXTENDED COG CAMBER CLAMP SHT	Short, only used w/ axle plate 1
12	128245	AXLE PLATE 1 COG KIT Q7	Pair-COG Clamp-Axle Plate 1
12	128246	AXLE PLATE 2 COG KIT Q7	Pair-COG Clamp-Axle Plate 2
12	128247	AXLE PLATE 3 COG KIT Q7	Pair-COG Clamp-Axle Plate 3
12	128248	AXLE PLATE 4 COG KIT Q7	Pair-COG Clamp-Axle Plate 4
12	128249	AXLE PLATE 5 COG KIT Q7	Pair-COG Clamp-Axle Plate 5
12	128250	AXLE PLATE 6 COG KIT Q7	Pair-COG Clamp-Axle Plate 6
12	128251	AXLE PLATE 7 COG KIT Q7	Pair-COG Clamp-Axle Plate 7
12	128252	AXLE PLATE 8 COG KIT Q7	Pair-COG Clamp-Axle Plate 8
12	128253	AXLE PLATE 1 COG SHORT KIT Q7	Pair-COG Short Clamp-Axle Plate 1
13	128254	AXLE PLATE 1 STD KIT Q7	Pair-Standard Clamp-Axle Plate 1
13	128255	AXLE PLATE 2 STD KIT Q7	Pair-Standard Clamp-Axle Plate 2
13	128256	AXLE PLATE 3 STD KIT Q7	Pair-Standard Clamp-Axle Plate 3
13	128257	AXLE PLATE 4 STD KIT Q7	Pair-Standard Clamp-Axle Plate 4
13	128258	AXLE PLATE 5 STD KIT Q7	Pair-Standard Clamp-Axle Plate 5
13	128259	AXLE PLATE 6 STD KIT Q7	Pair-Standard Clamp-Axle Plate 6
13	128260	AXLE PLATE 7 STD KIT Q7	Pair-Standard Clamp-Axle Plate 7
13	128261	AXLE PLATE 8 STD KIT Q7	Pair-Standard Clamp-Axle Plate 8
13	128262	AXLE PLATE 1 SHT KIT Q7	Pair-Short Clamp-Axle Plate 1
14	128263	AXLE PLATE LH SIZE 1 KIT	Left-Axle Plate Size 1
14	128264	AXLE PLATE RH SIZE 1 KIT	Right-Axle Plate Size 1
14	128265	AXLE PLATE LH SIZE 2 KIT	Left-Axle Plate Size 2
14	128266	AXLE PLATE RH SIZE 2 KIT	Right-Axle Plate Size 2
14	128267	AXLE PLATE LH SIZE 3 KIT	Left-Axle Plate Size 3
14	128268	AXLE PLATE RH SIZE 3 KIT	Right-Axle Plate Size 3
14	128269	AXLE PLATE LH SIZE 4 KIT	Left-Axle Plate Size 4
14	128270	AXLE PLATE RH SIZE 4 KIT	Right-Axle Plate Size 4
14	128271	AXLE PLATE LH SIZE 5 KIT	Left-Axle Plate Size 5
14	128272	AXLE PLATE RH SIZE 5 KIT	Right-Axle Plate Size 5
14	128273	AXLE PLATE LH SIZE 6 KIT	Left-Axle Plate Size 6
14	128274	AXLE PLATE RH SIZE 6 KIT	Right-Axle Plate Size 6
14	128275	AXLE PLATE LH SIZE 7 KIT	Left-Axle Plate Size 7
14	128276	AXLE PLATE RH SIZE 7 KIT	Right-Axle Plate Size 7
14	128277	AXLE PLATE LH SIZE 8 KIT	Left-Axle Plate Size 8
14	128278	AXLE PLATE RH SIZE 8 KIT	Right-Axle Plate Size 8



Pos.	Item Number	Description
2	112341	SHCS M5X0.8X16,FULL,PL
3	112655	ROUND NUT SIZE 4
1-3	116684	CAMBER TUBE CLAMP W/HDWR

REAR SUSPENSION AXLE BRACKET

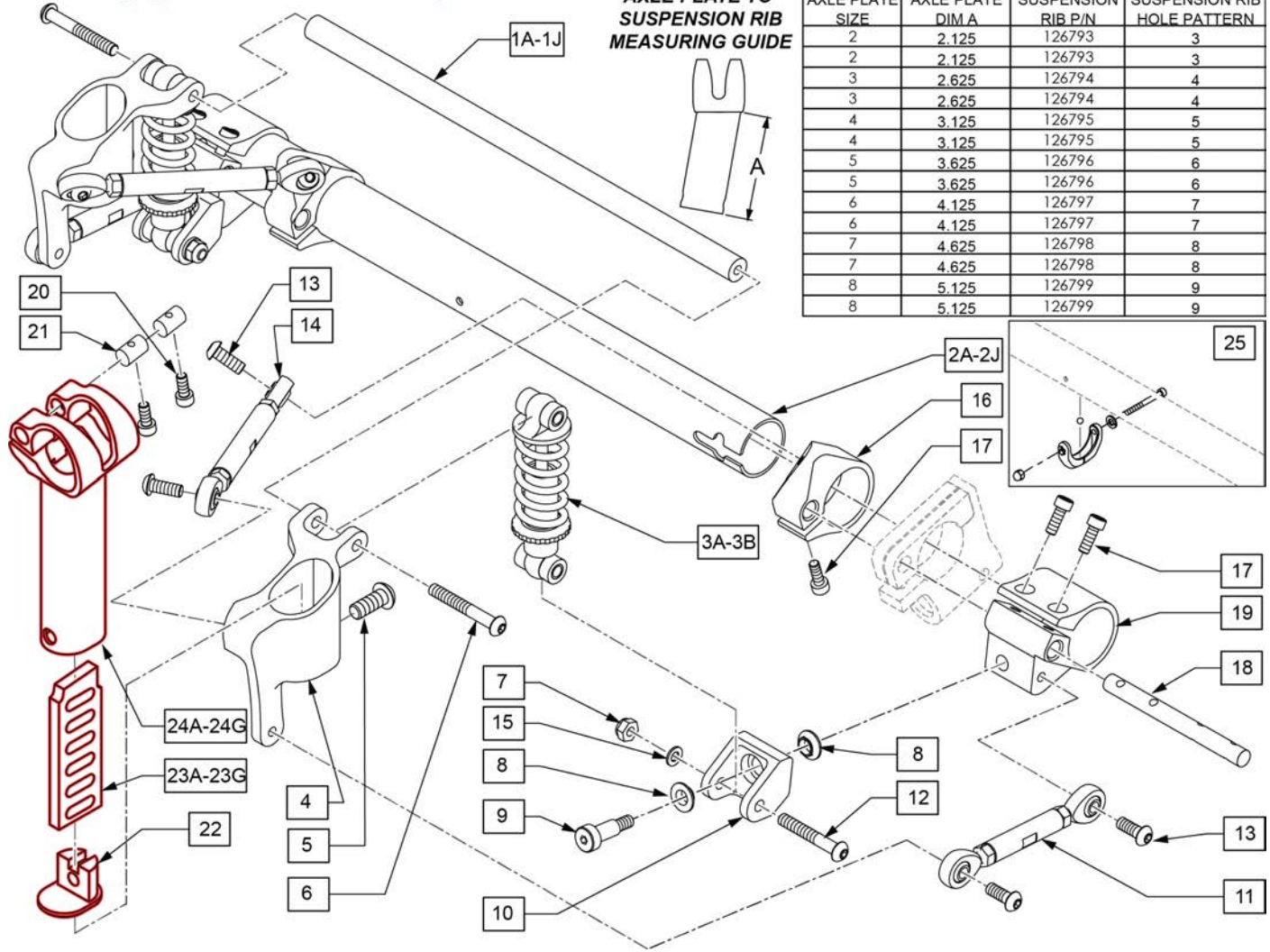
(10/2010)

Note: If adding suspension to a Q7 chair with S/N prior to R4-023230 you must order new Axle Plate Assemblies. If replacing the Suspension Ribs, and New Suspension Insert on a chair with S/N after S/N R4-023230 you must order the proper size Suspension Rib and Insert for the Axle Plate.

Part changes, please see notes/remarks for important information

AXLE PLATE TO
SUSPENSION RIB
MEASURING GUIDE

AXLE PLATE SIZE	AXLE PLATE DIM A	SUSPENSION RIB P/N	SUSPENSION RIB HOLE PATTERN
2	2.125	126793	3
2	2.125	126793	3
3	2.625	126794	4
3	2.625	126794	4
4	3.125	126795	5
4	3.125	126795	5
5	3.625	126796	6
5	3.625	126796	6
6	4.125	126797	7
6	4.125	126797	7
7	4.625	126798	8
7	4.625	126798	8
8	5.125	126799	9
8	5.125	126799	9



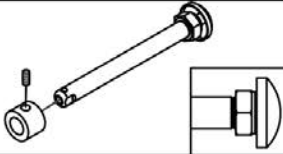
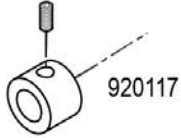

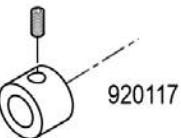

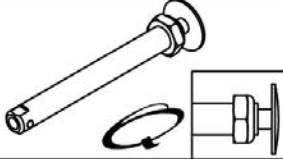
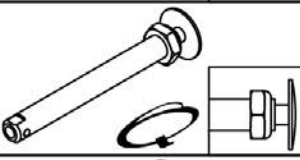
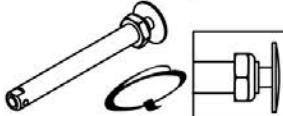
Pos.	Item Number	Description	Remarks
1A	113421	SUSP CROSS BAR 12"	
1B	113422	SUSP CROSS BAR 13"	
1C	113423	SUSP CROSS BAR 14"	
1D	113424	SUSP CROSS BAR 15"	
1E	113425	SUSP CROSS BAR 16"	
1F	113426	SUSP CROSS BAR 17"	
1G	113427	SUSP CROSS BAR 18"	
1H	113428	SUSP CROSS BAR 19"	
1J	113429	SUSP CROSS BAR 20"	
2A	110206	CAMBER TUBE 12"W	
2B	110207	CAMBER TUBE 13"W	
2C	110208	CAMBER TUBE 14"W	
2D	110209	CAMBER TUBE 15"W	
2E	110210	CAMBER TUBE 16"W	

Pos.	Item Number	Description	Remarks
2F	110211	CAMBER TUBE 17"W	
2G	110212	CAMBER TUBE 18"W	
2H	110213	CAMBER TUBE 19"W	
2J	110214	CAMBER TUBE 20"W	
3A	113419	SUSP SHOCK DV-6S 0-145LB	0-175lbs
3B	113420	SUSP SHOCK DV-6S 150LB	176-265lbs
5	230121	BHCS M8 X 1.25 X 20	
6	102262-002	BHCS M6 X 1 X 10 W/PL INORG	
7	104381	NUT HEX NYLOCK M6X1.0	
8	109198	IGUS BEARING GFM-0810-04	
9	011649-001	SHLDR SCREW 8MM OD X 16MM LG	
11	113417	SUSP LINK ARM SHORT	91.4 mm from eyelet to eyelet
12	102262-006	BHCS M6 X 1 X 40 INORGANIC	
13	103185-006	BHCSM6X1X16FULLNP	
14	113418	SUSP LINK ARM LONG LH	Left - 91.4 mm from eyelet to eyelet
14	116603	SUSP LINK ARM LONG RH	Right - 91.4 mm from eyelet to eyelet
15	250104	WASHER FLAT M6	
17	114497	SHCS, M5X0.8X14, FULL PL	
18	113413	SUSP ROUND NUT LINK CONNECT LH	
18	114108	SUSP ROUND NUT LINK CONNECT RH	
20	103181	SHCS M5 x 0.8 x 14 w/ PL	
21	112653	ROUND NUT SIZE 2	
22	126792	SUSP AXLE PLATE INSERT	Order kit if S/N is prior to R4-023230
23A	126793	SUSP RIB SIZE 2	Order kit if S/N is prior to R4-023230
23B	126794	SUSP RIB SIZE 3	Order kit if S/N is prior to R4-023230
23C	126795	SUSP RIB SIZE 4	Order kit if S/N is prior to R4-023230
23D	126796	SUSP RIB SIZE 5	Order kit if S/N is prior to R4-023230
23E	126797	SUSP RIB SIZE 6	Order kit if S/N is prior to R4-023230
23F	126798	SUSP RIB SIZE 7	Order kit if S/N is prior to R4-023230
23G	126799	SUSP RIB SIZE 8	Order kit if S/N is prior to R4-023230
25	050190	BEARING LEVEL CAMBER TUBE	Pair
20,21,24A	114385	AXLE PLATE LH SIZE 2 KIT	Left-Axle Plate Size 2
20,21,24A	114386	AXLE PLATE RH SIZE 2 KIT	Right-Axle Plate Size 2
20,21,24B	114387	AXLE PLATE LH SIZE 3 KIT	Left-Axle Plate Size 3
20,21,24B	114388	AXLE PLATE RH SIZE 3 KIT	Right-Axle Plate Size 3
20,21,24C	114389	AXLE PLATE LH SIZE 4 KIT	Left-Axle Plate Size 4
20,21,24C	114390	AXLE PLATE RH SIZE 4 KIT	Right-Axle Plate Size 4
20,21,24D	114391	AXLE PLATE LH SIZE 5 KIT	Left-Axle Plate Size 5
20,21,24D	114392	AXLE PLATE RH SIZE 5 KIT	Right-Axle Plate Size 5
20,21,24E	114393	AXLE PLATE LH SIZE 6 KIT	Left-Axle Plate Size 6
20,21,24E	114394	AXLE PLATE RH SIZE 6 KIT	Right-Axle Plate Size 6
20,21,24F	114395	AXLE PLATE LH SIZE 7 KIT	Left-Axle Plate Size 7
20,21,24F	114396	AXLE PLATE RH SIZE 7 KIT	Right-Axle Plate Size 7
20,21,24G	114397	AXLE PLATE LH SIZE 8 KIT	Left-Axle Plate Size 8
20,21,24G	114398	AXLE PLATE RH SIZE 8 KIT	Right-Axle Plate Size 8
3A-19	116308	ASSY SUSP 4LINK 100LB RH	
3A-19	116309	ASSY SUSP 4LINK 100LB LH	
3B-19	116310	ASSY SUSP 4LINK 150LB RH	
3B-19	116311	ASSY SUSP 4LINK 150LB LH	
1A,2A,3A-22,23A,24A,25	117698	SUSP ASSM 12" 0-175LBS AP2	
1B,2B,3A-22,23A,24A,25	117699	SUSP ASSM 13" 0-175LBS AP2	
1C,2C,3A-22,23A,24A,25	117700	SUSP ASSM 14" 0-175LBS AP2	
1D,2D,3A-22,23A,24A,25	117701	SUSP ASSM 15" 0-175LBS AP2	
1E,2E,3A-22,23A,24A,25	117702	SUSP ASSM 16" 0-175LBS AP2	
1F,2F,3A-22,23A,24A,25	117703	SUSP ASSM 17" 0-175LBS AP2	
1G,2G,3A-22,23A,24A,25	117704	SUSP ASSM 18" 0-175LBS AP2	
1H,2H,3A-22,23A,24A,25	117705	SUSP ASSM 19" 0-175LBS AP2	

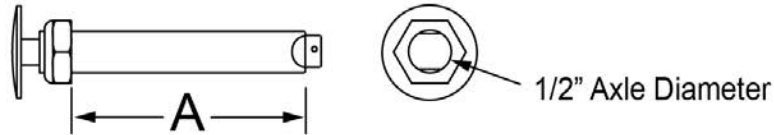
Pos.	Item Number	Description	Remarks
1J,2J,3A-22,23A,24A,25	117706	SUSP ASSM 20" 0-175LBS AP2	
1A,2A,3B-22,23A,24A,25	117707	SUSP ASSM 12" 176-265LBS AP2	
1B,2B,3B-22,23A,24A,25	117708	SUSP ASSM 13" 176-265LBS AP2	
1C,2C,3B-22,23A,24A,25	117709	SUSP ASSM 14" 176-265LBS AP2	
1D,2D,3B-22,23A,24A,25	117710	SUSP ASSM 15" 176-265LBS AP2	
1E,2E,3B-22,23A,24A,25	117711	SUSP ASSM 16" 176-265LBS AP2	
1F,2F,3B-22,23A,24A,25	117712	SUSP ASSM 17" 176-265LBS AP2	
1G,2G,3B-22,23A,24A,25	117713	SUSP ASSM 18" 176-265LBS AP2	
1H,2H,3B-22,23A,24A,25	117714	SUSP ASSM 19" 176-265LBS AP2	
1J,2J,3B-22,23A,24A,25	117715	SUSP ASSM 20" 176-265LBS AP2	
1A,2A,3A-22,23B,24B,25	117716	SUSP ASSM 12" 0-175LBS AP3	
1B,2B,3A-22,23B,24B,25	117717	SUSP ASSM 13" 0-175LBS AP3	
1C,2C,3A-22,23B,24B,25	117718	SUSP ASSM 14" 0-175LBS AP3	
1D,2D,3A-22,23B,24B,25	117719	SUSP ASSM 15" 0-175LBS AP3	
1E,2E,3A-22,23B,24B,25	117720	SUSP ASSM 16" 0-175LBS AP3	
1F,2F,3A-22,23B,24B,25	117721	SUSP ASSM 17" 0-175LBS AP3	
1G,2G,3A-22,23B,24B,25	117722	SUSP ASSM 18" 0-175LBS AP3	
1H,2H,3A-22,23B,24B,25	117723	SUSP ASSM 19" 0-175LBS AP3	
1J,2J,3A-22,23B,24B,25	117724	SUSP ASSM 20" 0-175LBS AP3	
1A,2A,3B-22,23B,24B,25	117725	SUSP ASSM 12" 176-265LBS AP3	
1B,2B,3B-22,23B,24B,25	117726	SUSP ASSM 13" 176-265LBS AP3	
1C,2C,3B-22,23B,24B,25	117727	SUSP ASSM 14" 176-265LBS AP3	
1D,2D,3B-22,23B,24B,25	117728	SUSP ASSM 15" 176-265LBS AP3	
1E,2E,3B-22,23B,24B,25	117729	SUSP ASSM 16" 176-265LBS AP3	
1F,2F,3B-22,23B,24B,25	117730	SUSP ASSM 17" 176-265LBS AP3	
1G,2G,3B-22,23B,24B,25	117731	SUSP ASSM 18" 176-265LBS AP3	
1H,2H,3B-22,23B,24AB,25	117732	SUSP ASSM 19" 176-265LBS AP3	
1J,2J,3B-22,23B,24B,25	117733	SUSP ASSM 20" 176-265LBS AP3	
1A,2A,3A-22,23C,24C,25	117734	SUSP ASSM 12" 0-175LBS AP4	
1B,2B,3A-22,23C,24C,25	117735	SUSP ASSM 13" 0-175LBS AP4	
1C,2C,3A-22,23C,24C,25	117736	SUSP ASSM 14" 0-175LBS AP4	
1D,2D,3A-22,23C,24C,25	117737	SUSP ASSM 15" 0-175LBS AP4	
1E,2E,3A-22,23C,24C,25	117738	SUSP ASSM 16" 0-175LBS AP4	
1F,2F,3A-22,23C,24C,25	117739	SUSP ASSM 17" 0-175LBS AP4	
1G,2G,3A-22,23C,24C,25	117740	SUSP ASSM 18" 0-175LBS AP4	
1H,2H,3A-22,23C,24C,25	117741	SUSP ASSM 19" 0-175LBS AP4	
1J,2J,3A-22,23C,24C,25	117742	SUSP ASSM 20" 0-175LBS AP4	
1A,2A,3B-22,23C,24C,25	117743	SUSP ASSM 12" 176-265LBS AP4	
1B,2B,3B-22,23C,24C,25	117744	SUSP ASSM 13" 176-265LBS AP4	
1C,2C,3B-22,23C,24C,25	117745	SUSP ASSM 14" 176-265LBS AP4	
1D,2D,3B-22,23C,24C,25	117746	SUSP ASSM 15" 176-265LBS AP4	
1E,2E,3B-22,23C,24C,25	117747	SUSP ASSM 16" 176-265LBS AP4	
1F,2F,3B-22,23C,24C,25	117748	SUSP ASSM 17" 176-265LBS AP4	
1G,2G,3B-22,23C,24C,25	117749	SUSP ASSM 18" 176-265LBS AP4	
1H,2H,3B-22,23C,24C,25	117750	SUSP ASSM 19" 176-265LBS AP4	
1J,2J,3B-22,23C,24C,25	117751	SUSP ASSM 20" 176-265LBS AP4	
1A,2A,3A-22,23D,24D,25	117752	SUSP ASSM 12" 0-175LBS AP5	
1B,2B,3A-22,23D,24D,25	117753	SUSP ASSM 13" 0-175LBS AP5	
1C,2C,3A-22,23D,24D,25	117754	SUSP ASSM 14" 0-175LBS AP5	
1D,2D,3A-22,23D,24D,25	117755	SUSP ASSM 15" 0-175LBS AP5	
1E,2E,3A-22,23D,24D,25	117756	SUSP ASSM 16" 0-175LBS AP5	
1F,2F,3A-22,23D,24D,25	117757	SUSP ASSM 17" 0-175LBS AP5	
1G,2G,3A-22,23D,24D,25	117758	SUSP ASSM 18" 0-175LBS AP5	
1H,2H,3A-22,23D,24D,25	117759	SUSP ASSM 19" 0-175LBS AP5	
1J,2J,3A-22,23D,24D,25	117760	SUSP ASSM 20" 0-175LBS AP5	
1A,2A,3B-22,23D,24D,25	117761	SUSP ASSM 12" 176-265LBS AP5	
1B,2B,3B-22,23D,24D,25	117762	SUSP ASSM 13" 176-265LBS AP5	

Pos.	Item Number	Description	Remarks
1C,2C,3B-22,23D,24D,25	117763	SUSP ASSM 14" 176-265LBS AP5	
1D,2D,3B-22,23D,24D,25	117764	SUSP ASSM 15" 176-265LBS AP5	
1E,2E,3B-22,23D,24D,25	117765	SUSP ASSM 16" 176-265LBS AP5	
1F,2F,3B-22,23D,24D,25	117766	SUSP ASSM 17" 176-265LBS AP5	
1G,2G,3B-22,23D,24D,25	117767	SUSP ASSM 18" 176-265LBS AP5	
1H,2H,3B-22,23D,24D,25	117768	SUSP ASSM 19" 176-265LBS AP5	
1J,2J,3B-22,23D,24D,25	117769	SUSP ASSM 20" 176-265LBS AP5	
1A,2A,3A-22,23E,24E,25	117770	SUSP ASSM 12" 0-175LBS AP6	
1B,2B,3A-22,23E,24E,25	117771	SUSP ASSM 13" 0-175LBS AP6	
1C,2C,3A-22,23E,24E,25	117772	SUSP ASSM 14" 0-175LBS AP6	
1D,2D,3A-22,23E,24E,25	117773	SUSP ASSM 15" 0-175LBS AP6	
1E,2E,3A-22,23E,24E,25	117774	SUSP ASSM 16" 0-175LBS AP6	
1F,2F,3A-22,23E,24E,25	117775	SUSP ASSM 17" 0-175LBS AP6	
1G,2G,3A-22,23E,24E,25	117776	SUSP ASSM 18" 0-175LBS AP6	
1H,2H,3A-22,23E,24E,25	117777	SUSP ASSM 19" 0-175LBS AP6	
1J,2J,3A-22,23E,24E,25	117778	SUSP ASSM 20" 0-175LBS AP6	
1A,2A,3B-22,23E,24E,25	117779	SUSP ASSM 12" 176-265LBS AP6	
1B,2B,3B-22,23E,24E,25	117780	SUSP ASSM 13" 176-265LBS AP6	
1C,2C,3B-22,23E,24E,25	117781	SUSP ASSM 14" 176-265LBS AP6	
1D,2D,3B-22,23E,24E,25	117782	SUSP ASSM 15" 176-265LBS AP6	
1E,2E,3B-22,23E,24E,25	117783	SUSP ASSM 16" 176-265LBS AP6	
1F,2F,3B-22,23E,24E,25	117784	SUSP ASSM 17" 176-265LBS AP6	
1G,2G,3B-22,23E,24E,25	117785	SUSP ASSM 18" 176-265LBS AP6	
1H,2H,3B-22,23E,24E,25	117786	SUSP ASSM 19" 176-265LBS AP6	
1J,2J,3B-22,23E,24E,25	117787	SUSP ASSM 20" 176-265LBS AP6	
1A,2A,3A-22,23F,24F,25	117788	SUSP ASSM 12" 0-175LBS AP7	
1B,2B,3A-22,23F,24F,25	117789	SUSP ASSM 13" 0-175LBS AP7	
1C,2C,3A-22,23F,24F,25	117790	SUSP ASSM 14" 0-175LBS AP7	
1D,2D,3A-22,23F,24F,25	117791	SUSP ASSM 15" 0-175LBS AP7	
1E,2E,3A-22,23F,24F,25	117792	SUSP ASSM 16" 0-175LBS AP7	
1F,2F,3A-22,23F,24F,25	117793	SUSP ASSM 17" 0-175LBS AP7	
1G,2G,3A-22,23F,24F,25	117794	SUSP ASSM 18" 0-175LBS AP7	
1H,2H,3A-22,23F,24F,25	117795	SUSP ASSM 19" 0-175LBS AP7	
1J,2J,3A-22,23F,24F,25	117796	SUSP ASSM 20" 0-175LBS AP7	
1A,2A,3B-22,23F,24F,25	117797	SUSP ASSM 12" 176-265LBS AP7	
1B,2B,3B-22,23F,24F,25	117798	SUSP ASSM 13" 176-265LBS AP7	
1C,2C,3B-22,23F,24F,25	117799	SUSP ASSM 14" 176-265LBS AP7	
1D,2D,3B-22,23F,24F,25	117800	SUSP ASSM 15" 176-265LBS AP7	
1E,2E,3B-22,23F,24F,25	117801	SUSP ASSM 16" 176-265LBS AP7	
1F,2F,3B-22,23F,24F,25	117802	SUSP ASSM 17" 176-265LBS AP7	
1G,2G,3B-22,23F,24F,25	117803	SUSP ASSM 18" 176-265LBS AP7	
1H,2H,3B-22,23F,24F,25	117804	SUSP ASSM 19" 176-265LBS AP7	
1J,2J,3B-22,23F,24F,25	117805	SUSP ASSM 20" 176-265LBS AP7	
1A,2A,3A-22,23G,24G,25	117806	SUSP ASSM 12" 0-175LBS AP8	
1B,2B,3A-22,23G,24G,25	117807	SUSP ASSM 13" 0-175LBS AP8	
1C,2C,3A-22,23G,24G,25	117808	SUSP ASSM 14" 0-175LBS AP8	
1D,2D,3A-22,23G,24G,25	117809	SUSP ASSM 15" 0-175LBS AP8	
1E,2E,3A-22,23G,24G,25	117810	SUSP ASSM 16" 0-175LBS AP8	
1F,2F,3A-22,23G,24G,25	117811	SUSP ASSM 17" 0-175LBS AP8	
1G,2G,3A-22,23G,24G,25	117812	SUSP ASSM 18" 0-175LBS AP8	
1H,2H,3A-22,23G,24G,25	117813	SUSP ASSM 19" 0-175LBS AP8	
1J,2J,3A-22,23G,24G,25	117796	SUSP ASSM 20" 0-175LBS AP7	
1A,2A,3B-22,23G,24G,25	117815	SUSP ASSM 12" 176-265LBS AP8	
1B,2B,3B-22,23G,24G,25	117816	SUSP ASSM 13" 176-265LBS AP8	
1C,2C,3B-22,23G,24G,25	117817	SUSP ASSM 14" 176-265LBS AP8	
1D,2D,3B-22,23G,24G,25	117818	SUSP ASSM 15" 176-265LBS AP8	
1E,2E,3B-22,23G,24G,25	117819	SUSP ASSM 16" 176-265LBS AP8	

Pos.	Item Number	Description	Remarks
1F,2F,3B-22,23G,24G,25	117820	SUSP ASSM 17" 176-265LBS AP8	
1G,2G,3B-22,23G,24G,25	117821	SUSP ASSM 18" 176-265LBS AP8	
1H,2H,3B-22,23G,24G,25	117822	SUSP ASSM 19" 176-265LBS AP8	
1J,2J,3B-22,23G,24G,25	117823	SUSP ASSM 20" 176-265LBS AP8	

Wheel Type	Axle Type		Axle P/N	Spacer P/N
6 Spoke Mag Wheels	Quick Release	1A 	922356 Includes Spacer A=4 1/4"	2 
	Quad Quick Release	1B 	116390 Includes Spacer A=4 1/4"	2 
Spinergy Wheels 18" Standard Spoke, Mountain Wheels, 5 Spoke Mag Wheels	Quick Release 	1C 	109385 A=4 1/2"	N/A
Ultra Light Wheels (N/A with Quad Quick Release)	Quick Release	1D 	111843 A=4"	N/A
Lite Spoke	Quick Release	1E 	107268 A=4 1/4"	N/A

Quick Release Measuring Guide

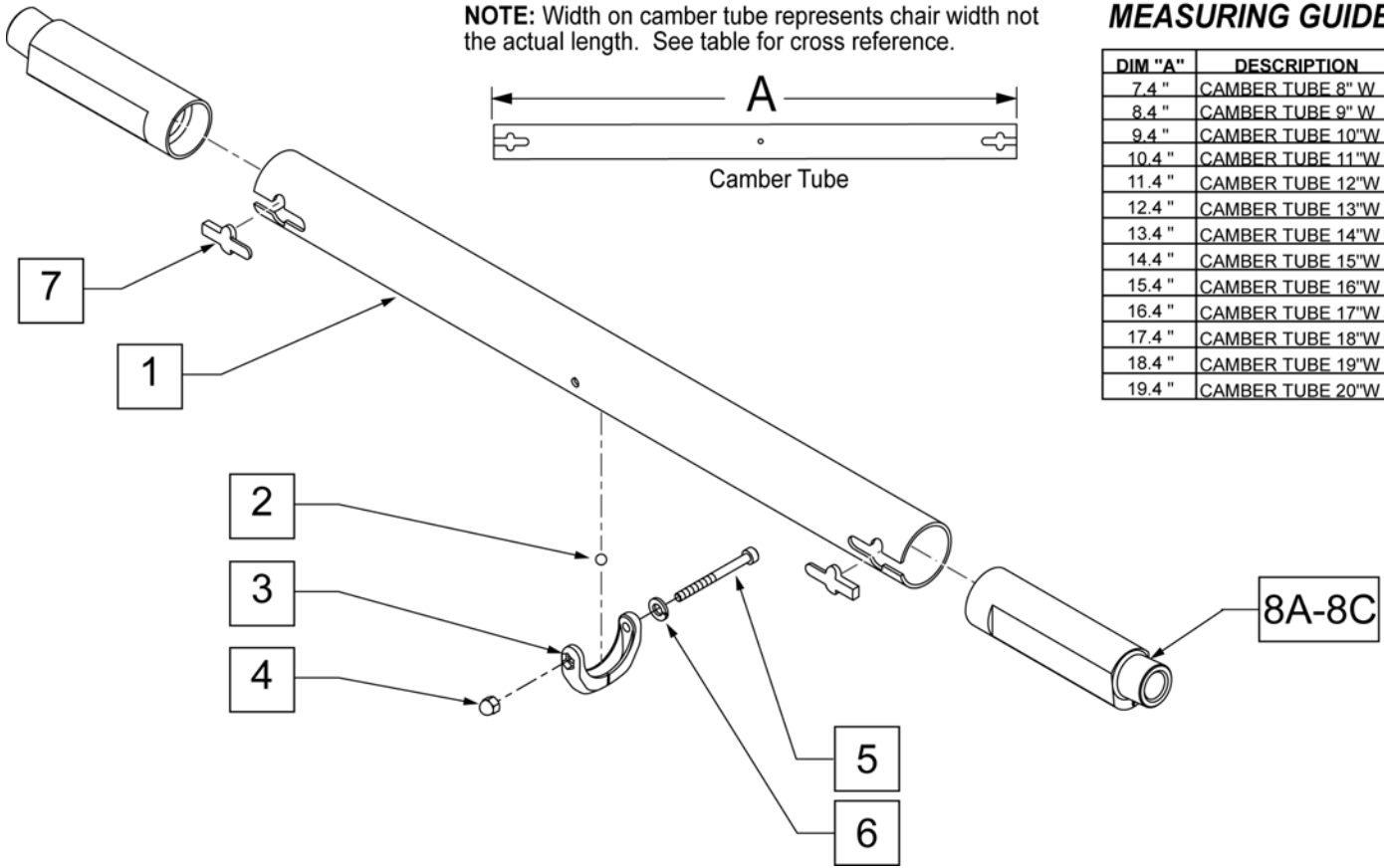


Pos.	Item Number	Description	Remarks
1A	922356	QR AXLE BIG BUTTON W/ SPACER	Includes spacer
1B	116390	QR AXLE W/SPACER FOR 6S MAG	Includes spacer
1C	109385	QR AXLE/NUT LONG BG BTTN	
1D	111843	QR AXLE EX SHORT BIG BTN	
1E	107268	QR AXLE AND NUT SHORT BIG BTTN	
2	920117	MAG SPACER 6S W/SET SCREW	

NOTE: Width on camber tube represents chair width not the actual length. See table for cross reference.

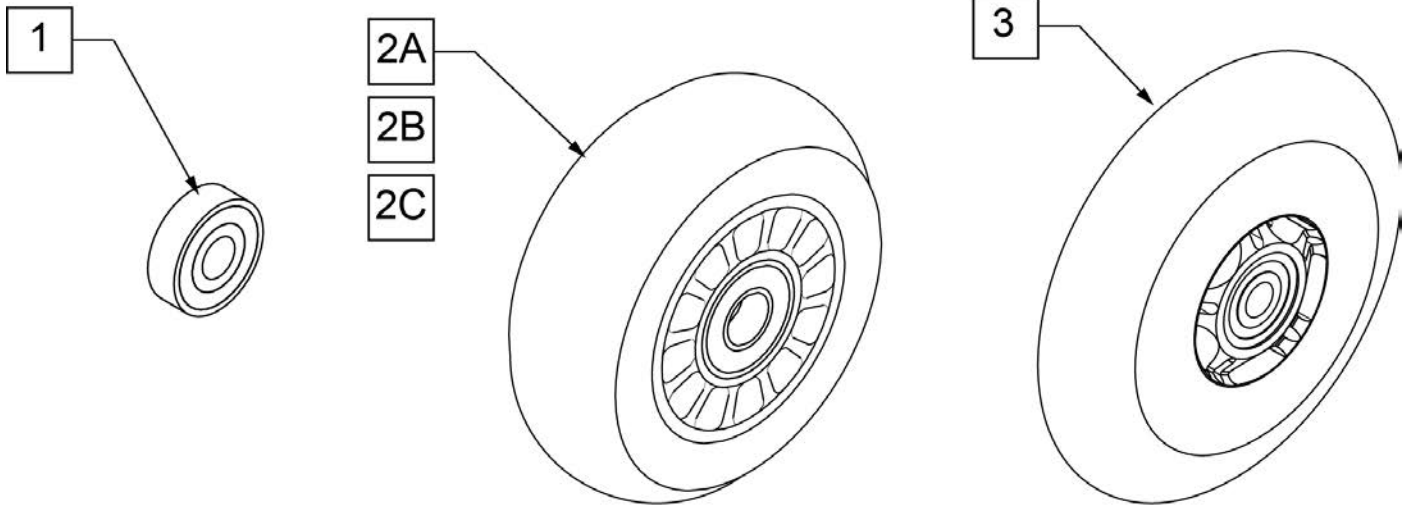
MEASURING GUIDE

DIM "A"	DESCRIPTION
7.4 "	CAMBER TUBE 8"W
8.4 "	CAMBER TUBE 9"W
9.4 "	CAMBER TUBE 10"W
10.4 "	CAMBER TUBE 11"W
11.4 "	CAMBER TUBE 12"W
12.4 "	CAMBER TUBE 13"W
13.4 "	CAMBER TUBE 14"W
14.4 "	CAMBER TUBE 15"W
15.4 "	CAMBER TUBE 16"W
16.4 "	CAMBER TUBE 17"W
17.4 "	CAMBER TUBE 18"W
18.4 "	CAMBER TUBE 19"W
19.4 "	CAMBER TUBE 20"W



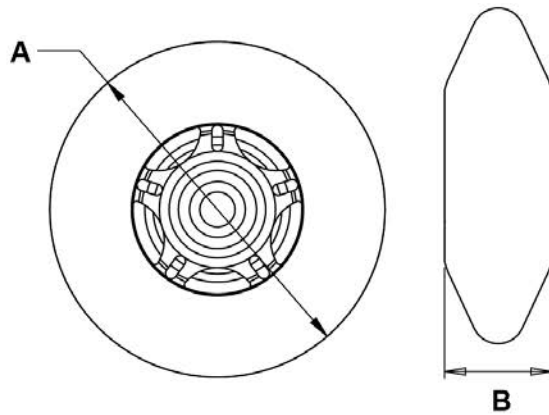
Pos.	Item Number	Description	Remarks
1	110206	CAMBER TUBE 12"W	
1	110207	CAMBER TUBE 13"W	
1	110208	CAMBER TUBE 14"W	
1	110209	CAMBER TUBE 15"W	
1	110210	CAMBER TUBE 16"W	
1	110211	CAMBER TUBE 17"W	
1	110212	CAMBER TUBE 18"W	
1	110213	CAMBER TUBE 19"W	
1	110214	CAMBER TUBE 20"W	
2-6	050190	BEARING LEVEL CAMBER TUBE	
4	115918	M4 NUT ACORN PLASTIC BLACK	
6	050129-002	LOCKWASHER HIGH COLLAR M4	
7	114428	CAMBER BLOCK KIT (10)	QTY 10
8A	110847	CAMBER PLUG 0 DEG	0 DEGREES
8B	110848	CAMBER PLUG 3 DEG	3 DEGREES
8C	110849	CAMBER PLUG 6 DEG	6 DEGREES
1-7,8A	114401	CAMBER TUBE 12"W OD ASSM	
1-7,8A	114402	CAMBER TUBE 13"W OD ASSM	
1-7,8A	114403	CAMBER TUBE 14"W OD ASSM	
1-7,8A	114404	CAMBER TUBE 15"W OD ASSM	
1-7,8A	114405	CAMBER TUBE 16"W OD ASSM	
1-7,8A	114406	CAMBER TUBE 17"W OD ASSM	
1-7,8A	114407	CAMBER TUBE 18"W OD ASSM	
1-7,8A	114408	CAMBER TUBE 19"W OD ASSM	
1-7,8A	114409	CAMBER TUBE 20"W OD ASSM	

Pos.	Item Number	Description	Remarks
1-7,8B	114410	CAMBER TUBE 12"W 3D ASSM	
1-7,8B	114411	CAMBER TUBE 13"W 3D ASSM	
1-7,8B	114412	CAMBER TUBE 14"W 3D ASSM	
1-7,8B	114413	CAMBER TUBE 15"W 3D ASSM	
1-7,8B	114414	CAMBER TUBE 16"W 3D ASSM	
1-7,8B	114415	CAMBER TUBE 17"W 3D ASSM	
1-7,8B	114416	CAMBER TUBE 18"W 3D ASSM	
1-7,8B	114417	CAMBER TUBE 19"W 3D ASSM	
1-7,8B	114418	CAMBER TUBE 20"W 3D ASSM	
1-7,8C	114419	CAMBER TUBE 12"W 6D ASSM	
1-7,8C	114420	CAMBER TUBE 13"W 6D ASSM	
1-7,8C	114421	CAMBER TUBE 14"W 6D ASSM	
1-7,8C	114422	CAMBER TUBE 15"W 6D ASSM	
1-7,8C	114423	CAMBER TUBE 16"W 6D ASSM	
1-7,8C	114424	CAMBER TUBE 17"W 6D ASSM	
1-7,8C	114425	CAMBER TUBE 18"W 6D ASSM	
1-7,8C	114426	CAMBER TUBE 19"W 6D ASSM	
1-7,8C	114427	CAMBER TUBE 20"W 6D ASSM	



**CASTER
MEASURING GUIDE**

PART NUMBER	"A" TIRE DIAMETER	"B" HUB WIDTH
400108	4.0	1.0
400107	3.0	1.0
052129	4.7	1.0

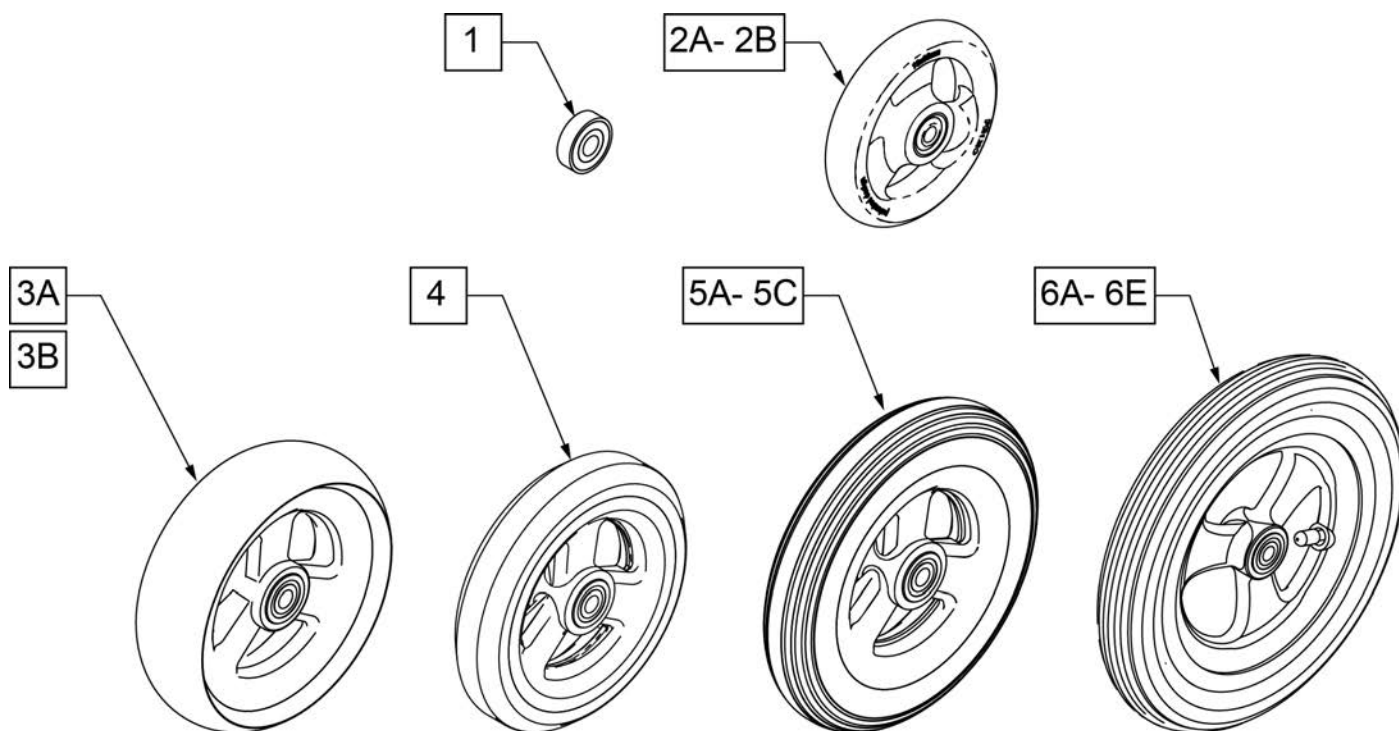


Pos.	Item Number	Description	HCPC	Remarks
1	349502	7/8"x 5/16" BEARING		
2A	400108	4" MICRO CASTER LIGHTED	K0077	4" MICRO LIGHTED
2B	920025	3" MICRO CASTER W/ BEARING -PAIR	K0077	PAIR 3" MICRO
2C	400107	3" MICRO CASTER LIGHTED	K0077	3" MICRO LIGHTED
3	052129	5" MICRO CASTER LIGHTED	K0077	5" MICRO LIGHTED

NOTE: 7" and 8" Casters are not available on the Q2 or the GT.

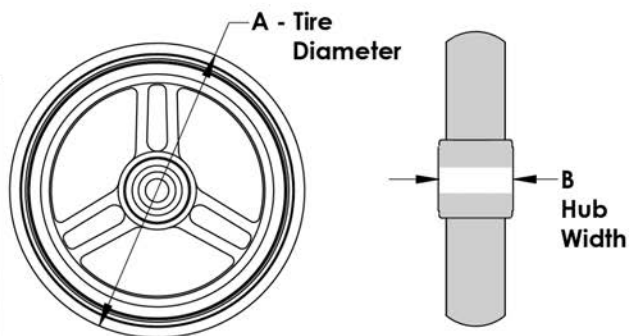
Note: If using 6" casters on Q7, Anti Flutter should be installed. See Standard Multi Position Fork page.

Note: Casters wider than 1" will not fit on Quickie Ti Titanium forks.

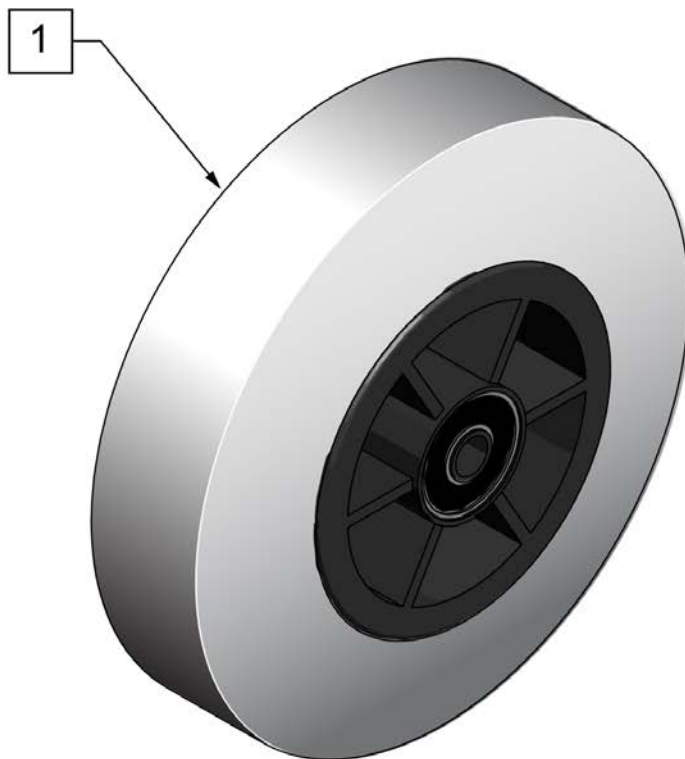
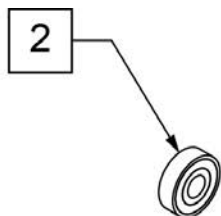


CASTER MEASURING GUIDE

PART NUMBER	"A" TIRE DIAMETER	"B" HUB WIDTH	PART NUMBER	"A" TIRE DIAMETER	"B" HUB WIDTH
101957	4.3	1.0	101256	5.75	1.0
101098	4.0	1.0	101257	5.9	1.0
101259	4.9	1.0	400212	8.0	1.0
101255	5.7	1.0	400213	7.8	1.0
101254	4.9	1.0	400214	6.9	1.0
			400215	7.25	1.0

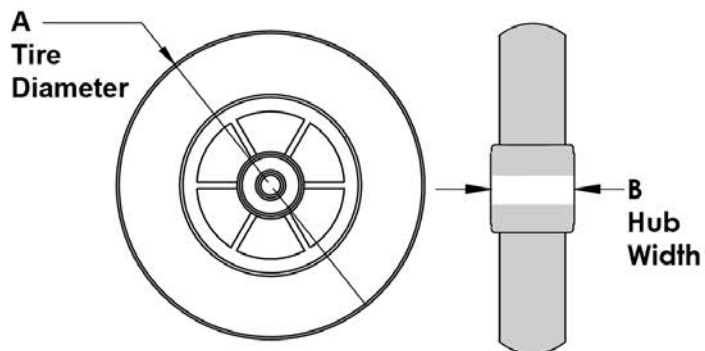


Pos.	Item Number	Description	Remarks
1	349502	7/8"x 5/16" BEARING	
2A	101957	4"X1-1/4 POLY 3 SPOKE CSTR	4" X 1.25 SEMI-PNEUMATIC
2B	101098	CASTER 4" PLASTIC/POLY W/BRG	4" LOW PROFILE POLY
3A	101259	5"X1-1/2" POLY 3 SPOKE CSTR	5" x 1.5" SEMI-PNEUMATIC
3B	101255	6"X1-1/2" POLY 3 SPOKE CSTR	6" x 1.5" SEMI-PNEUMATIC
4	101254	5" LOW POLY 3 SPOKE CASTER	5" LOW PROFILE POLY
5A	101256	6" SEMI PNEU 3 SPOKE CASTER	6" POLY
5B	101257	6" PNEUMATIC 3 SPOKE CASTER	6" PNEUMATIC
5C	383245	6" PNEUMATIC TIRE & TUBE	
6A	400212	CASTER 8" PNEU 3 SPK ASSM	8" PNEUMATIC
6B	400213	CASTER 8" POLY 3 SPK ASSM	8" POLY
6C	400214	CASTER 8" LOW POLY 3 SPK ASSM	7" x LOW PROFILE POLY
6D	383255	8" PNEUMATIC TIRE & TUBE	
6E	400215	CASTER 8" WIDE POLY 3 SPK ASSM	8" x 1.5" LOW POLY

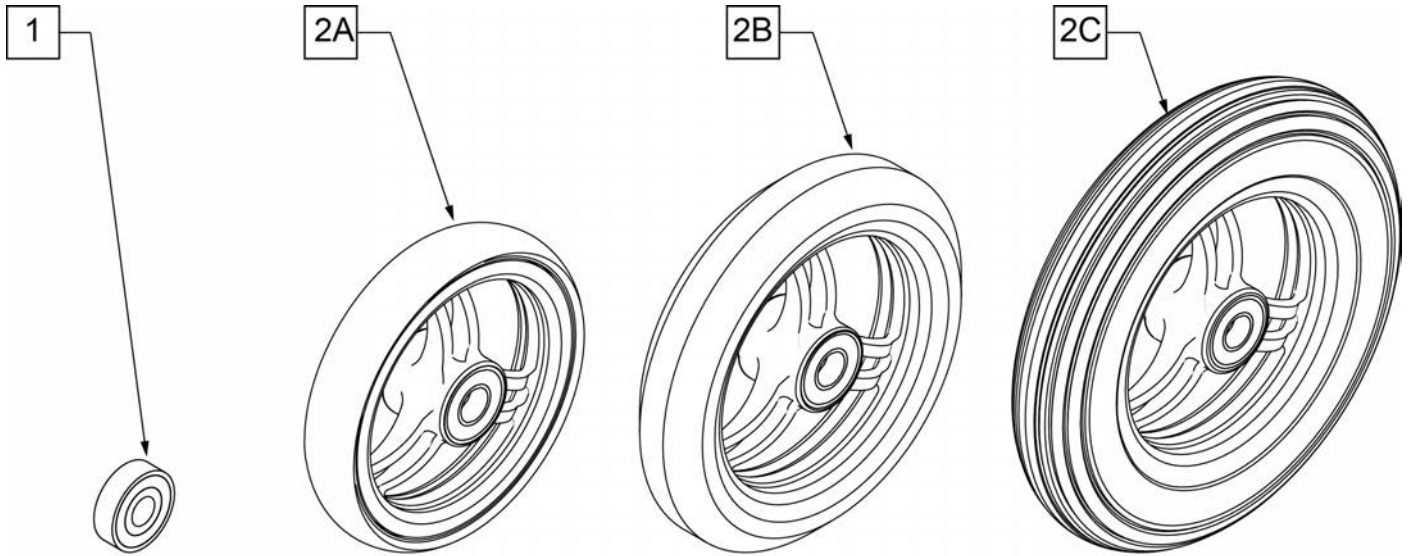


**CASTER
MEASURING GUIDE**

"A" TIRE DIAMETER	"B" HUB WIDTH
4.9"	1.0"

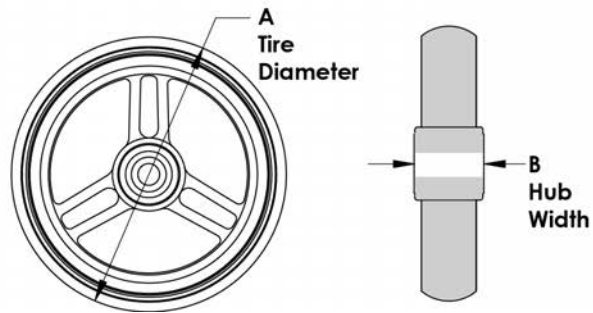


Pos.	Item Number	Description	HPCP	Remarks
1	400103	CASTER 5" SOFT ROLL W/BRNGS	K0077	5" SOFT ROLL SEMI PNEU (GREY)
2	349502	7/8"x 5/16" BEARING		



**CASTER
MEASURING GUIDE**

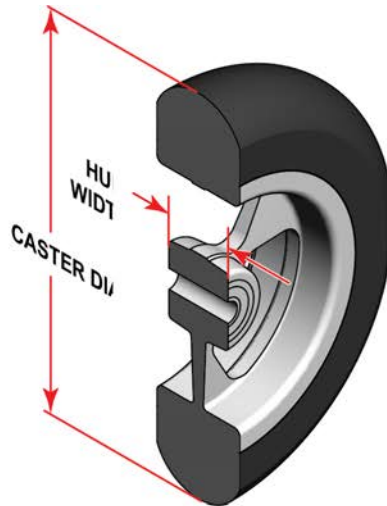
"A" TIRE DIAMETER	"B" HUB WIDTH
4"	1"
5"	1"
6"	1"



Pos.	Item Number	Description	HCPC	Remarks
1	349502	7/8"x 5/16" BEARING		
2A	101946-001	CASTR 4X1 ALUM/POLY W/BRG CLR	K0077	4" x 1" ALUMINUM POLY
2B	101946-002	CASTR 5X1 ALUM/POLY W/BRG CLR	K0077	5" x 1" ALUMINUM POLY
2C	101946-003	CASTR 6X1 ALUM/POLY W/BRG CLR	K0077	6" x 1" ALUMINUM POLY



SIDE VIEW



CASTER MEASURING GUIDE

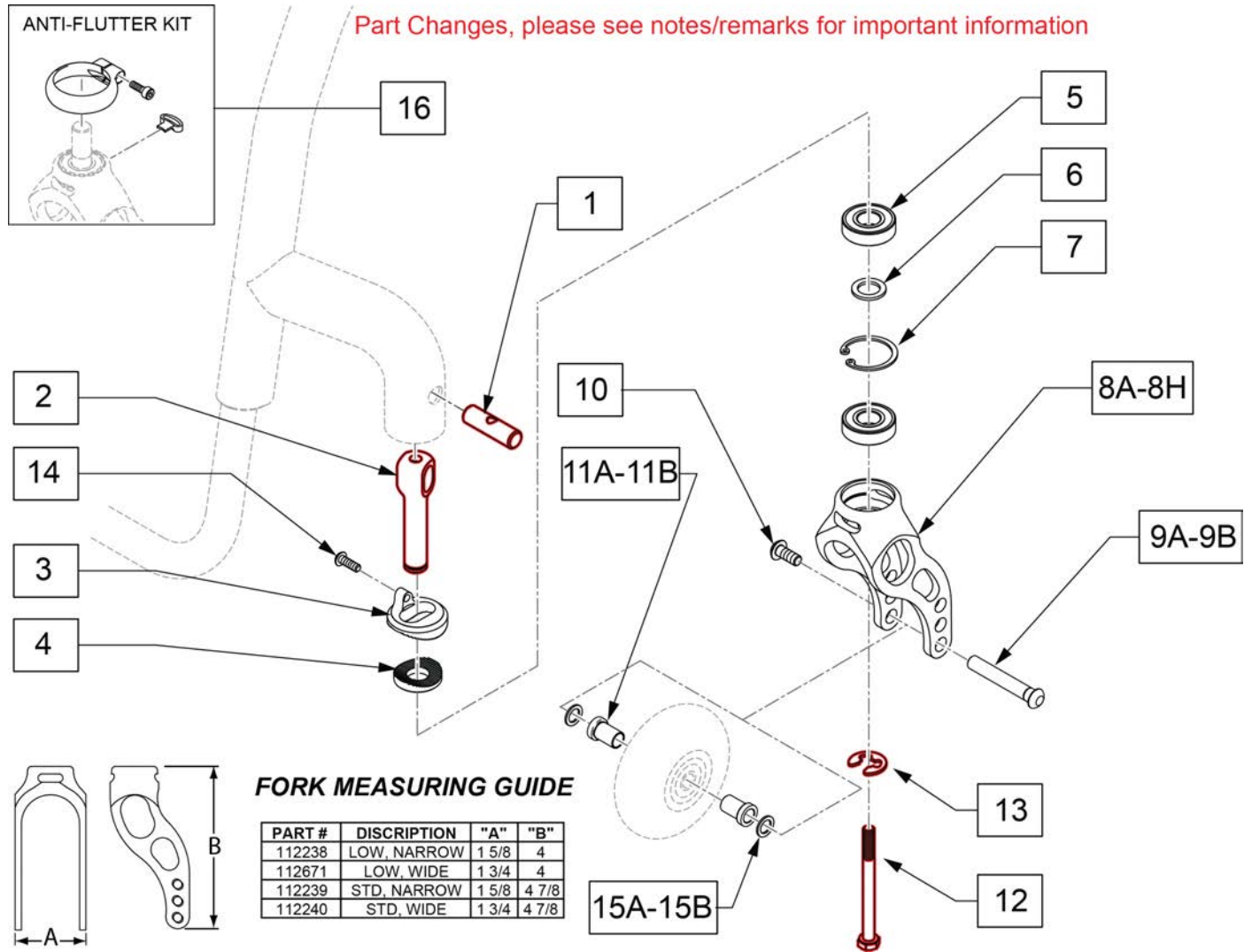
TIRE DIAMETER	HUB WIDTH
3	1
4 1/8	1
5	1
6	1



Pos.	Item Number	Description	HCPC	Remarks
>>>>		3 INCH DIAMETER CASTERS WITH SILVER HUBS		
1	113394	WHEEL CASTER 3" ULTRALITE SFTRLL	K0077	3" x 1.5" Aluminum Soft Roll - Black tire - Silver hub
>>>>		4 INCH DIAMETER CASTERS WITH SILVER HUBS		
1	113395	WHEEL CASTER 4" ULTRALITE SFTRLL	K0077	4" x 1.5" Aluminum Soft Roll - Black tire - Silver hub
>>>>		5 INCH DIAMETER CASTERS WITH SILVER HUBS		
1	113396	WHEEL CASTER 5" ULTRALITE SFTRLL	K0077	5" x 1.5" Aluminum Soft Roll - Black tire - Silver hub
>>>>		6 INCH DIAMETER CASTERS WITH SILVER HUBS		
1	113397	WHEEL CASTER 6" ULTRALITE SFTRLL	K0077	6" x 1.5" Aluminum Soft Roll - Black tire - Silver hub

Note: After S/N R4-019625 for Q7 and S/N RZ-007453 for Zone, Fork Stem Assembly was updated. Please replaced in pairs if not previously replaced.

Note: If using 6" casters on Q7, Anti Flutter should be installed.



FORK MEASURING GUIDE

PART #	DISCRIPTION	"A"	"B"
112238	LOW, NARROW	1 5/8	4
112671	LOW, WIDE	1 3/4	4
112239	STD, NARROW	1 5/8	4 7/8
112240	STD, WIDE	1 3/4	4 7/8

Pos.	Item Number	Description	Remarks
1	123396	PIVOT PIN, SOLID	See Fork Stem & Pin Kits for orderable parts

Pos.	Item Number	Description	Remarks
2	123397	CASTER STEM, ADJ, HOLLOW	See Fork Stem & Pin Kits for orderable parts
3	110163	HELIUM COMBI SPLINE	
4	502051	SPLINE CASTER ANG ADJ LOWER	
5	349104	BRNG 28MM OD 12MM ID 8MM THK	
6	265162	WSHR FLT 18MM OD 12MM ID 1.5MM	
7	342093	RING SNAP INTERNAL 28MM	
5-8A	112238	ASSM FORK LOW NARROW INTG BRG	Black-Fits 3" Micro, 3" Micro lighted, 4" Low Profile Poly, 4" Micro Lighted, 4x1 Alu Poly
5-8B	112671	ASSM FORK LOW WIDE INTG BRG	Black-Fits 3x1.5 Alu Soft Roll, 4x1.25 Semi Pnue, 4x1.5 Alu Soft Roll
5-8C	112239	ASSM FORK STD NARROW INTG BRG	Black-Fits 5" Low Profile Poly, 5" Micro Lighted
5-8D	112240	ASSM FORK STD WIDE INTG BRG	Black-Fits 5x1 Alu Poly, 5x1.5 Semi Pnue, 5' Soft Roll, 5x1.5 Alu Soft Roll, 6" Pnue., 6x1.5 Semi Pnue, 6x1.5 Alu Soft Roll
5-8E	117172S	FORK LOW NRW CSTM ANO W/BRG	Choose custom anodized color-Fits 3" Micro, 3" Micro lighted, 4" Low Profile Poly, 4" Micro Lighted, 4x1 Alu Poly

Pos.	Item Number	Description	Remarks
5-8F	117173S	FORK LOW WD CSTM ANO W/BRG	Choose custom anodized color-Fits 3x1.5 Alu Soft Roll
5-8G	117174S	FORK STD NRW CSTM ANO W/BRG	Choose custom anodized color-Fits 5x1 Alu Poly, 5x1.5 Semi Pnue, 5' Soft Roll, 5x1.5 Alu Soft Roll
5-8H	117175S	FORK STD WD CSTM ANO W/BRG	Choose custom anodized color-Fits 5x1 Alu Poly, 5x1.5 Semi Pnue, 5' Soft Roll, 5x1.5 Alu Soft Roll
9A	112783	AXLE CASTER NARROW 1/4"	Used w/ Narrow Forks Only.
9B	112782	AXLE CASTER WIDE 1/4"	Used w/ Wide Forks Only.
10	102259-001	BHCS M5 X 0.8 X 12 FULLNP	
11A	112781	SPACER, CASTER NARROW, INTEGRAL	Used w/ Narrow Forks Only.
11B	112780	SPACER, CASTER WIDE, INTEGRAL	Used w/ Wide Forks Only.
12	230063	HHCS M6 X 1.0 X 70	See Fork Stem & Pin Kits for orderable parts
13	114479	E-STYLE BOWED CLIP	See Fork Stem & Pin Kits for orderable parts
14	102257	BHCS M4 X .7 X 8 INORGANIC	
15A	107357	WASHER SPLIT LOCK M5 ROHS	
15B	106947	WASHER FLAT THIN AN 5/16 ROHS	Use w/ micro light casters only

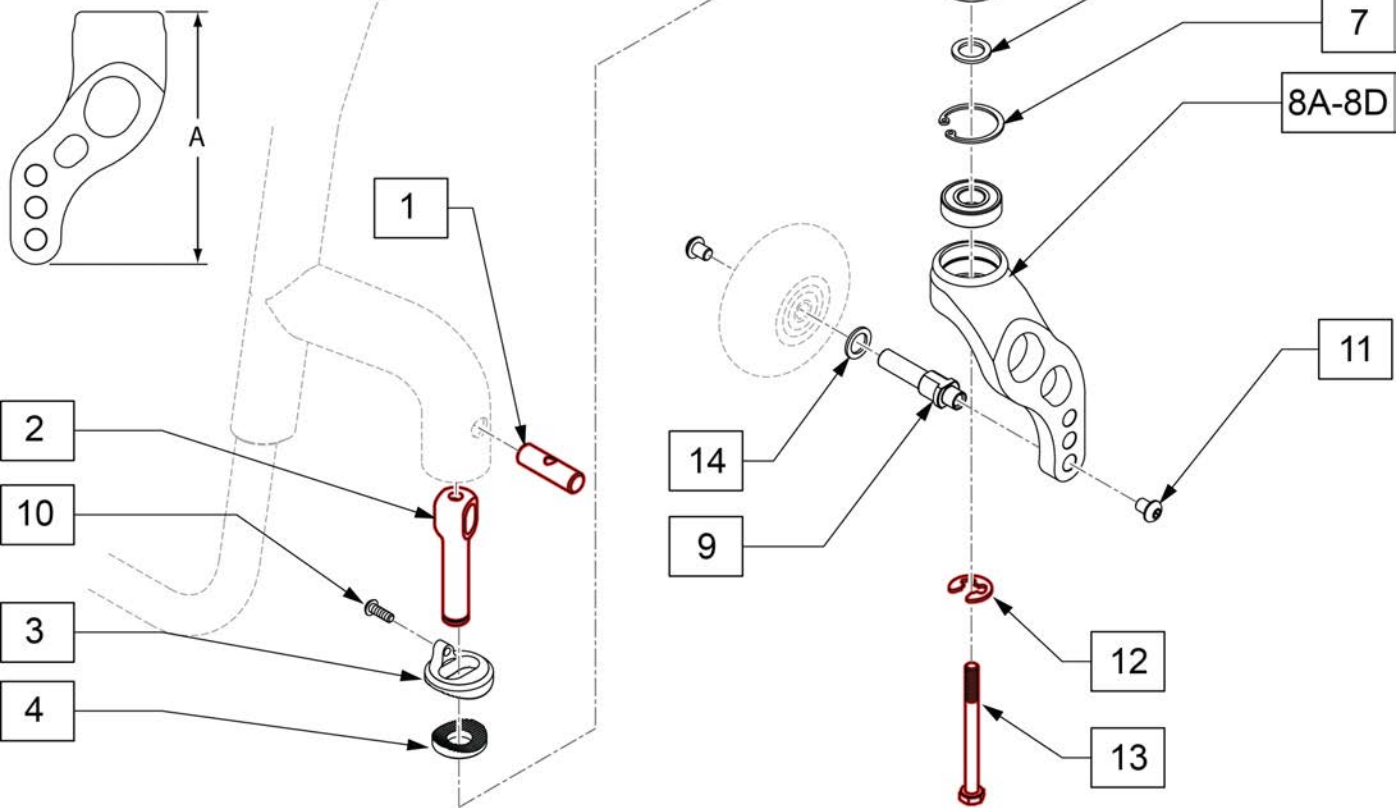
Pos.	Item Number	Description	Remarks
16	120957	ANTI FLUTTER KIT W/ INSTR	Pair - Used on Standard Wide and Standard Narrow Fork only.
17	113403	6MM ALLEN WRENCH L, 7MM SHORT	Required to remove old stem bolt
1-8A,9A,10,11A-16	114429	FORK LOW NARROW Q7 ASSM	Black-Fits 3" Micro,3" Micro lighted,4' Low Profile Poly,4" Micro Lighted,4x1 Alu Poly
1-8B,9B,10,11B-16	114430	FORK LOW WIDE Q7 ASSM	Black-Fits 3x1.5 Alu Soft Roll,4x1.25 Semi Pnue,4x1.5 Alu Soft Roll
1-8C,9A,10,11A-16	114431	FORK STD NARROW Q7 ASSM	Black-Fits 5" Low Profile Poly,5" Micro Lighted,6" Pnue,6" Poly
1-8D,9B,10,11B-16	114432	FORK STD WIDE Q7 ASSM	Black-Fits 5x1 Alu Poly, 5x1.5 Semi Pnue, 5' Soft Roll,5x1.5 Alu Soft Roll, 6x1.5 Semi Pnue,6x1.5 Alu Soft Roll
1,2,12,13	124999	FORK STEM & PIN KIT PAIR	Pair
1,2,12,13	125045	FORK STEM & PIN KIT 1 SIDE	one side only
3,4,14	125046	FORK SPLINE ADJ KIT 1 SIDE	one side only

Note: After S/N R4-019625 for Q7 and S/N RZ-007453 for Zone, Fork Stem Assembly was updated. Please replaced in pairs if not previously replaced.

Part Changes, please see notes/remarks for important information

FORK MEASURING GUIDE

PART #	DISCRIPTION	"A"
112672	LOW, LH	4
112673	LOW, RH	4
112242	STD, LH	4 7/8
112243	STD, RH	4 7/8



Pos.	Item Number	Description	Remarks
1	123396	PIVOT PIN, SOLID	See Fork Stem & Pin Kits for orderable parts
2	123397	CASTER STEM, ADJ, HOLLOW	See Fork Stem & Pin Kits for orderable parts
3	110163	HELIUM COMBI SPLINE	
4	502051	SPLINE CASTER ANG ADJ LOWER	

Pos.	Item Number	Description	Remarks
5	349104	BRNG 28MM OD 12MM ID 8MM THK	
6	265162	WSHR FLT 18MM OD 12MM ID 1.5MM	
7	342093	RING SNAP INTERNAL 28MM	
5-8A	112672	ASSM FORK LOW SNGL SD LH W/BRG	Black-Fits 3" Micro,3" Micro lighted,4" Low Profile Poly,4" Micro Lighted,4x1 Alu Poly,3x1.5 Alu Soft Roll,4x1.25 Semi Pnue,4x1.5 Alu Soft Roll
5-8A	112673	ASSM FORK LOW SNGL SD RH W/BRG	Black-Fits 3" Micro,3" Micro lighted,4" Low Profile Poly,4" Micro Lighted,4x1 Alu Poly,3x1.5 Alu Soft Roll,4x1.25 Semi Pnue,4x1.5 Alu Soft Roll
5-8B	112242	ASSM FORK STD SNGL SD LH W/BRG	Black-Fits 5" Low Profile Poly,5" Micro Lighted,5x1 Alu Poly, 5x1.5 Semi Pnue, ,5x1.5 Alu Soft Roll,6" Poly,6"Pnue,6X1 Alu Poly, 6x1.5 Semi Pnue,6x1.5 Alu Soft Roll
5-8B	112243	ASSM FORK STD SNGL SD RH W/BRG	Black-Fits 5" Low Profile Poly,5" Micro Lighted,5x1 Alu Poly, 5x1.5 Semi Pnue, ,5x1.5 Alu Soft Roll,6" Poly,6"Pnue,6X1 Alu Poly, 6x1.5 Semi Pnue,6x1.5 Alu Soft Roll

Pos.	Item Number	Description	Remarks
5-8C	117176S	FORK SNGL LOW CSTM ANO L	Choose custom anodized color-Fits 3" Micro,3" Micro lighted,4' Low Profile Poly,4" Micro Lighted,4x1 Alu Poly
5-8C	117177S	FORK SNGL LOW CSTM ANO R	Choose custom anodized color-Fits 3x1.5 Alu Soft Roll
5-8D	117178S	FORK SNGL STD CSTM ANO L	Choose custom anodized color-Fits 5x1 Alu Poly, 5x1.5 Semi Pnue, 5' Soft Roll,5x1.5 Alu Soft Roll
5-8D	117179S	FORK SNGL STD CSTM ANO R	Choose custom anodized color-Fits 5x1 Alu Poly, 5x1.5 Semi Pnue, 5' Soft Roll,5x1.5 Alu Soft Roll
9	112674	AXLE FORK SINGLE SIDE WIDE	
10	102257	BHCS M4 X .7 X 8 INORGANIC	
11	103185-005	BHCS M6X0.8X12 W/PL INORG	
12	114479	E-STYLE BOWED CLIP	See Fork Stem & Pin Kits for orderable parts
13	230063	HHCS M6 X 1.0 X 70	See Fork Stem & Pin Kits for orderable parts
14	106947	WASHER FLAT THIN AN 5/16 ROHS	Use w/ micro light casters only
15	113403	6MM ALLEN WRENCH L, 7MM SHORT	For adjusting stem bolt
1-8A,9-14	114434	FORK SS LOW Q7 L ASSM	Left
1-8A,9-14	114433	FORK SS LOW Q7 R ASSM	Right
1-8B,9-14	114436	FORK SS STD Q7 L ASSM	Left

Pos.	Item Number	Description	Remarks
1-8B,9-14	114435	FORK SS STD Q7 R ASSM	Right
1,2,12,13	124999	FORK STEM & PIN KIT PAIR	Pair
1,2,12,13	125045	FORK STEM & PIN KIT 1 SIDE	one side only
3,4,10	125046	FORK SPLINE ADJ KIT 1 SIDE	one side only

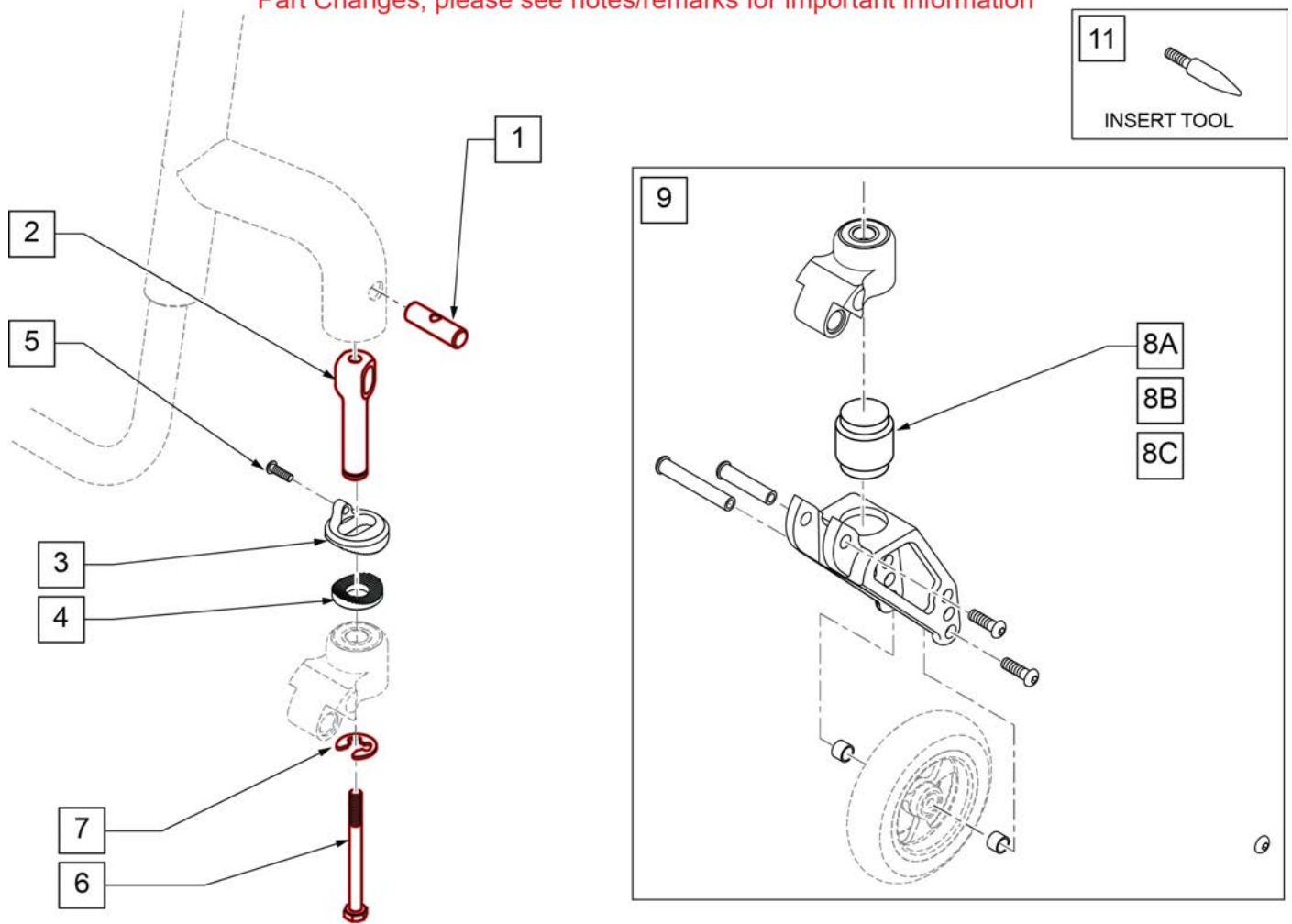
Note: Casters Available: 3" Micro,3" Micro lighted,4" Low Profile Poly,4" Micto Lighted,4x1 Alu Poly,3x1.5 Alu Soft Roll,4x1.25 Semi Pnue,4x1.5 Alu Soft Roll,5" Low Profile Poly,5" Micro Lighted,5x1 Alu Poly, 5x1.5 Semi Pnue, ,5x1.5 Alu Soft Roll,6" Poly,6"Pnue,6X1 Alu Poly, 6x1.5 Semi Pnue,6x1.5 Alu Soft Roll.

Note: Item 11 is used to aid in aligning the upper and lower fork assembly during Frog Leg assembly and elastomer replacement. See instruction sheet for details.

Note: Frog Legs will ship unassembled to facilitate replacement of the Caster Stem.

Note: After S/N R4-019625 for Q7 and S/N RZ-007453 for Zone, Fork Stem Assembly was updated. Please replaced in pairs if not previously replaced.

Part Changes, please see notes/remarks for important information

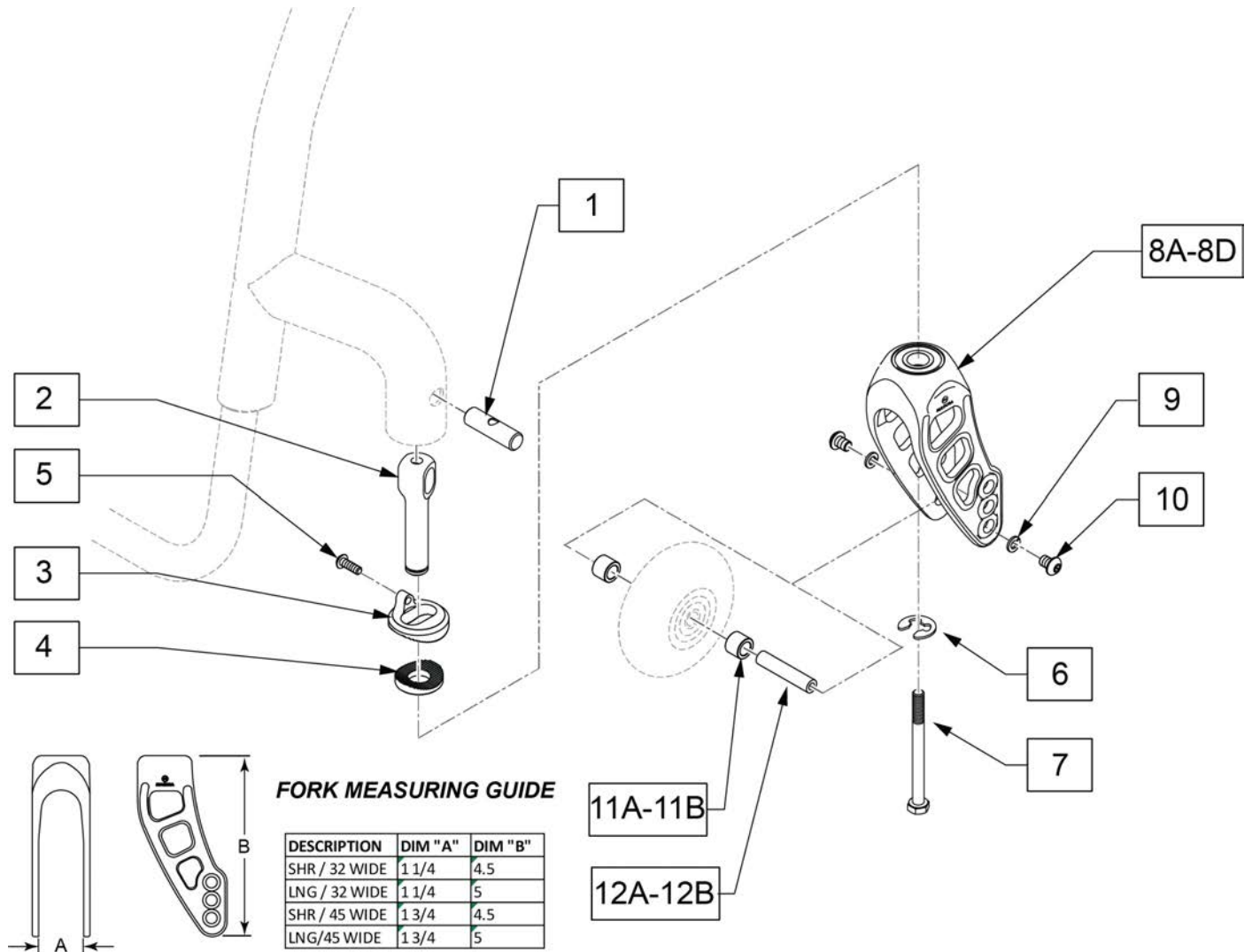


Pos.	Item Number	Description	Remarks
1	123396	PIVOT PIN, SOLID	See Fork Stem & Pin Kits for orderable parts

Pos.	Item Number	Description	Remarks
2	123397	CASTER STEM, ADJ, HOLLOW	See Fork Stem & Pin Kits for orderable parts
3	110163	HELIUM COMBI SPLINE	
4	502051	SPLINE CASTER ANG ADJ LOWER	
5	102257	BHCS M4 X .7 X 8 INORGANIC	
6	230063	HHCS M6 X 1.0 X 70	See Fork Stem & Pin Kits for orderable parts
7	114479	E-STYLE BOWED CLIP	See Fork Stem & Pin Kits for orderable parts
8A	050156-001	ELASTOMER FROGLEGS SOFT	0 -100 Lbs
8B	050156-002	ELASTOMER FROGLEGS MEDIUM	101 -190 Lbs
8C	050156-003	ELASTOMER FROGLEGS FIRM	191 -265 Lbs-not used w/ ZippieZone)
9	050155	FORK FROG LEGS INT BRNG	
10	112346	BHCS,M6X1X16,FULL,PL	
11	116351	FROG LEG FORK ASSEMBLY TOOL	
8A,9	050225-001	FORK FROGLEGS INT BRNG SOFT	
8B,9	050225-002	FORK FROGLEGS INT BRNG MED	
8C,9	050225-003	FORK FROGLEGS INT BRNG FIRM	
1-7,10	120025	FL CASTER STEM RPLC KIT	
1-8A-10	114437	FORK FROG SOFT Q7 ASSM	
1-8B-10	114438	FORK FROG MED Q7 ASSM	
1-8C-10	114439	FORK FROG FIRM Q7 ASSM	
1,2,6,7	124999	FORK STEM & PIN KIT PAIR	Pair
1,2,6,7	125045	FORK STEM & PIN KIT 1 SIDE	one side only
3-5	125046	FORK SPLINE ADJ KIT 1 SIDE	one side only

Note: After S/N R4-019625 for Q7 and S/N RZ-007453 for Zone, Fork Stem Assembly was updated. Please replace in pairs if not previously replaced.

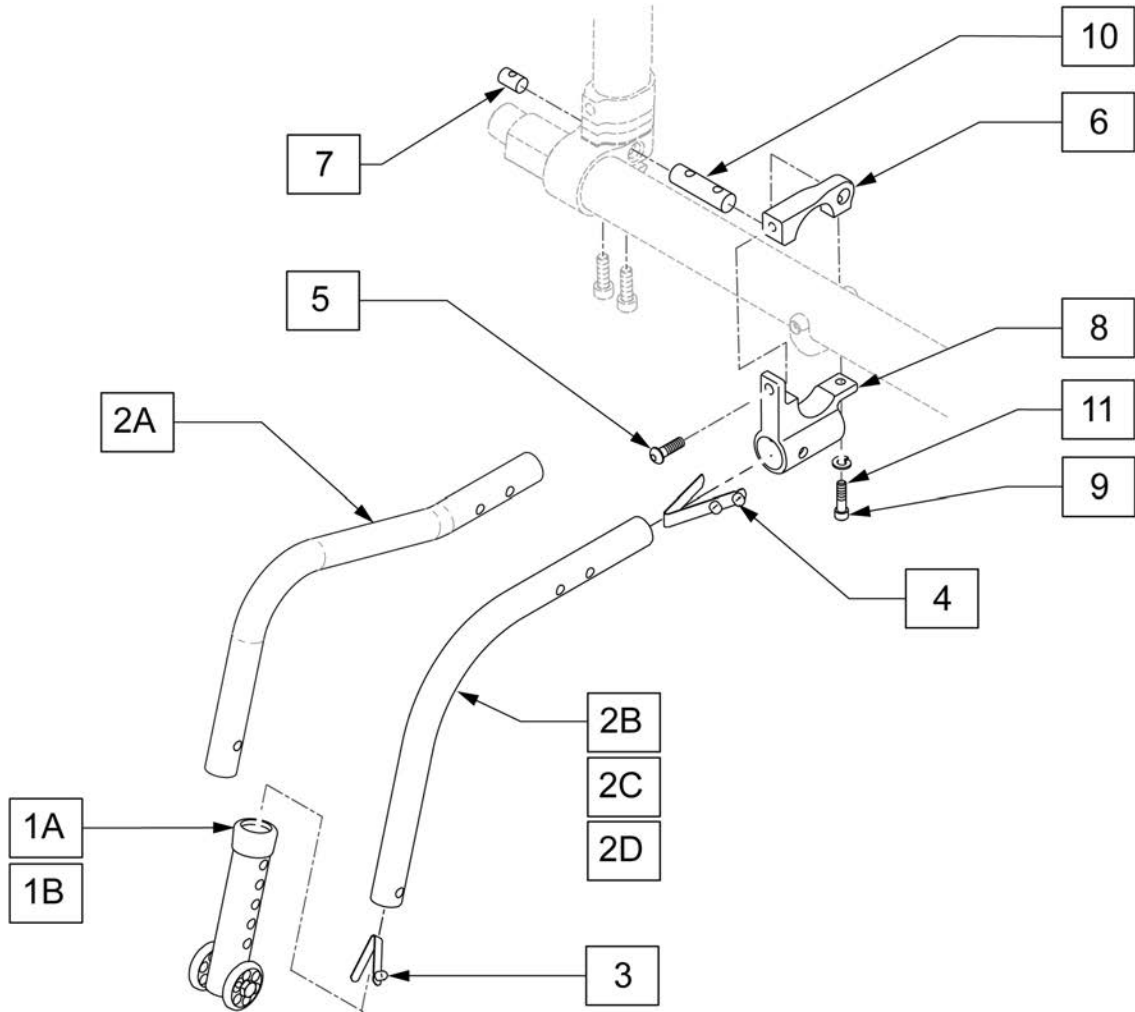
Note: If using 6" casters on Q7, Anti Flutter should be installed.



Pos.	Item Number	Description	Remarks
1	123396	PIVOT PIN, SOLID	See Fork Stem & Pin Kits for orderable parts
2	123397	CASTER STEM, ADJ, HOLLOW	See Fork Stem & Pin Kits for orderable parts
3	110163	HELIUM COMBI SPLINE	
4	502051	SPLINE CASTER ANG ADJ LOWER	
5	102257	BHCS M4 X .7 X 8 INORGANIC	
6	114479	E-STYLE BOWED CLIP	See Fork Stem & Pin Kits for orderable parts
7	230063	HHCS M6 X 1.0 X 70	See Fork Stem & Pin Kits for orderable parts
8A	128110	FORK ASSM SHR/32 WIDE BLK	Low- Std width
8B	128106	FORK ASSM SHR/45 WIDE BLK	Low- Wide width
8C	128103	FORK ASSM LNG/32 WIDE BLK	Std- Std width

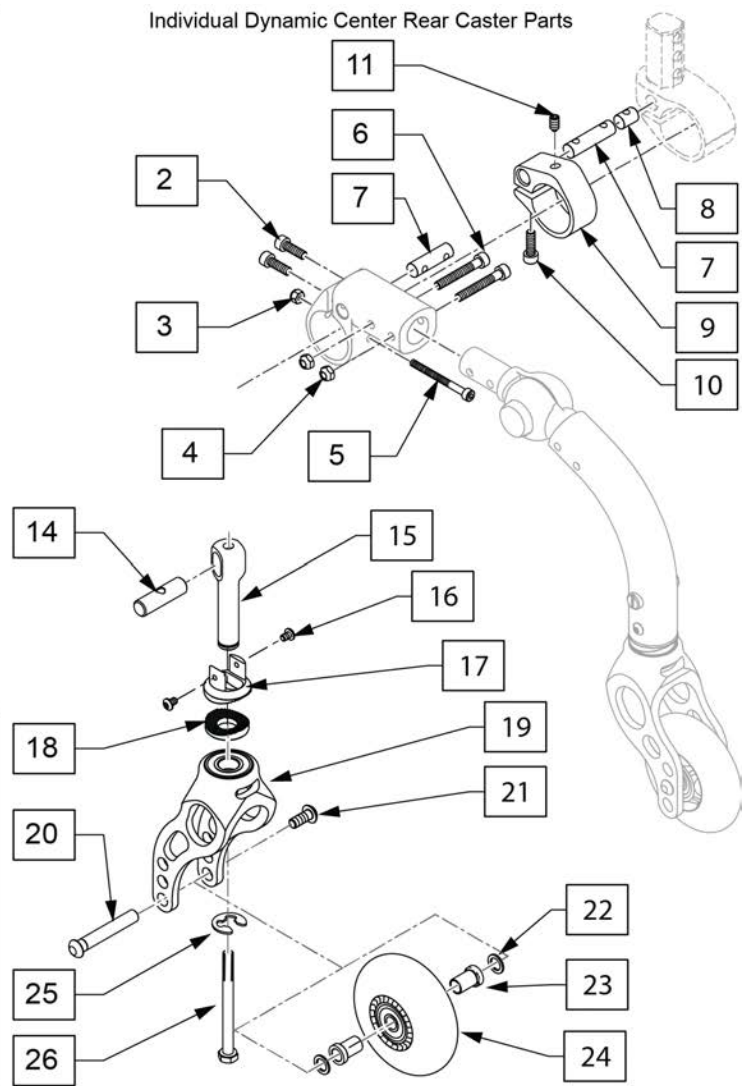
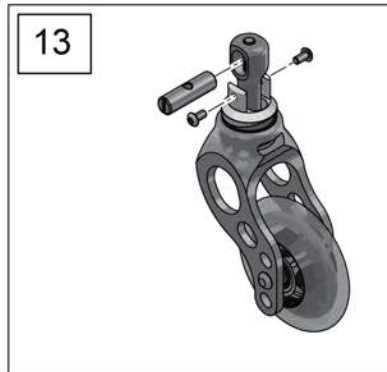
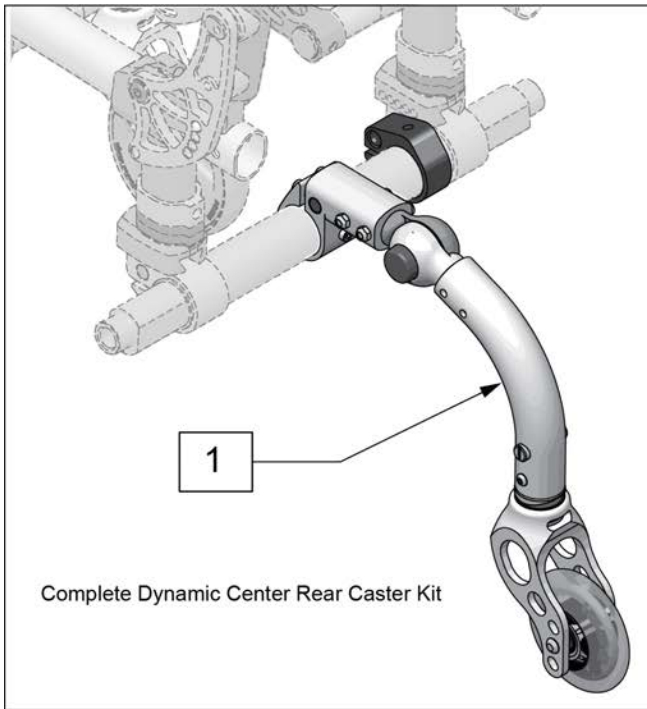
Pos.	Item Number	Description	Remarks
8D	128100	FORK ASSM LNG/45 WIDE BLK	Std- Wide width
9	262132	WASHER LOCK M5	
10	102259-001	BHCS M5 x .8 x 12 W/ PL INORG	
11A	050043-001	SPCR BRNG CSTR 9.65MM	Std width
11B	481353	SPACER, BEARING	Wide width
12A	050042	AXLE CASTER 52MM	Wide width
12B	481483	AXLE, CASTER, 1.58 LG	Std width
1,2,6,7	124999	FORK STEM & PIN KIT PAIR	Pair
1,2,6,7	125045	FORK STEM & PIN KIT 1 SIDE	one side only
3-5	125046	FORK SPLINE ADJ KIT 1 SIDE	one side only

Note: If adding Anti-tips to a chair it is not required to order item 10 as it is included in the Camber Tube Clamp. During installation slide item 10 inward and insert item 7 in the outside of the clamp.



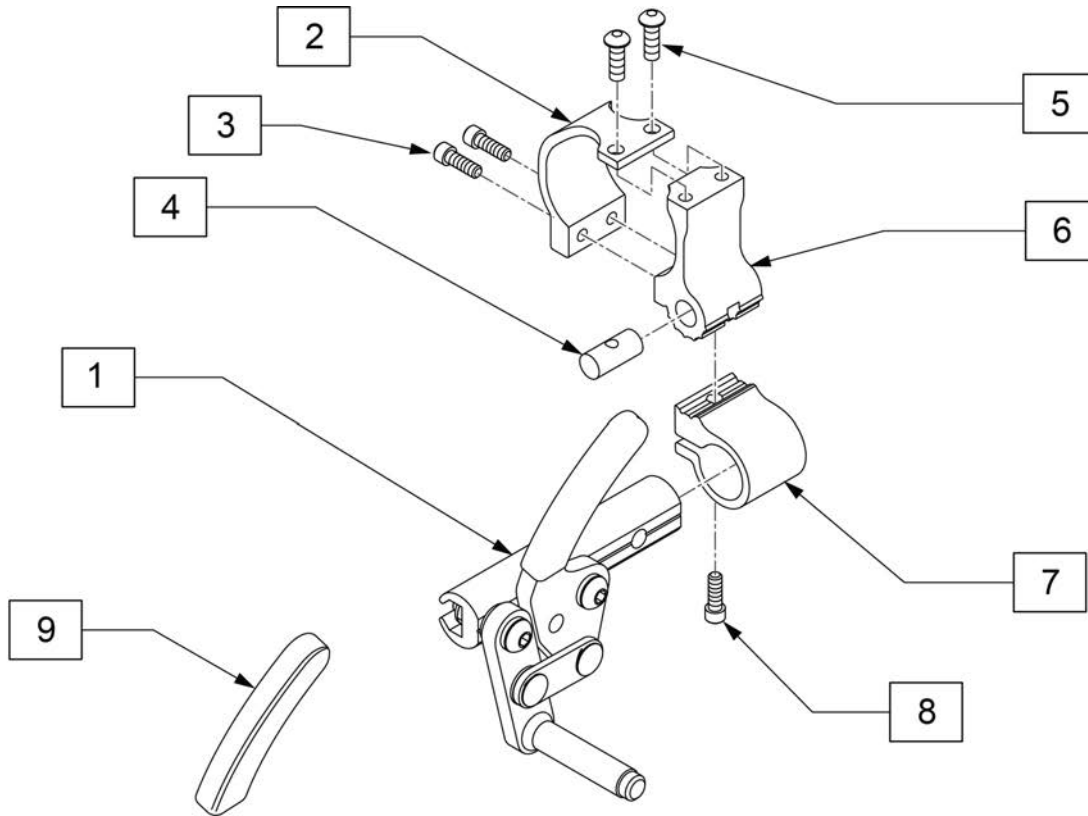
Pos.	Item Number	Description	Remarks
1A	104157	ANTI TIP ARM ADJUSTER	Used with 20" & 22" wheels
1B	104639	ANTI TIP ARM ADJ. MED	Used with 24",25" & 26" wheels
5	112346	BHCS,M6X1X16,FULL,PL	
7	112653	ROUND NUT SIZE 2	
9	103189-008	SHCS,M5X0.8X30,FULL,NP	
10	112655	ROUND NUT SIZE 4	
11	107357	WASHER SPLIT LOCK M5 ROHS	
2A-4	104219-002	ANTI TIP TUBE ASSY CRVD RH	Right-Used with 20" wheels
2A-4	104219-001	ANTI TIP TUBE ASSY CRVD LH	Left-Used with 20" wheels
2B-4	104221-002	ANTI TIP ARM SML RGT	Right-Used with 22" wheels
2B-4	104221-001	ANTI TIP ARM SML LFT	Left-Used with 22" wheels
2C-4	104221-004	ANTI TIP ARM MED RGT	Right-Used with 24 & 25" wheels
2C-4	104221-003	ANTI TIP ARM MED LFT	Left-Used with 24 & 25" wheels
2D-4	104221-006	ANTI TIP ARM LRG RGT	Right-Used with 26" wheels

Pos.	Item Number	Description	Remarks
2D-4	104221-005	ANTI TIP ARM LRG LFT	Left-Used with 26" wheels
1A,2A-4	050172-001	REAR ANTI TIP ASSM 20" RIGHT	Used with 20" wheels
1A,2A-4	050173-001	REAR ANTI TIP ASSM 20" LEFT	Used with 20" wheels
1A,2B-4	050172-002	REAR ANTI TIP ASSM 22" RIGHT	Used with 22" wheels
1A,2B-4	050173-002	REAR ANTI TIP ASSM 22" LEFT	Used with 22" wheels
1B,2C-4	050172-003	REAR ANTI TIP ASSM 25" RIGHT	Used with 24 & 25" wheels
1B,2C-4	050173-003	REAR ANTI TIP ASSM 25" LEFT	Used with 24 & 25" wheels
1B,2D-4	050172-004	REAR ANTI TIP ASSM 26" RIGHT	Used with 26" wheels
1B,2D-4	050173-004	REAR ANTI TIP ASSM 26" LEFT	Used with 26" wheels
5-11	114440	ANTI TIP REC Q7 KIT	



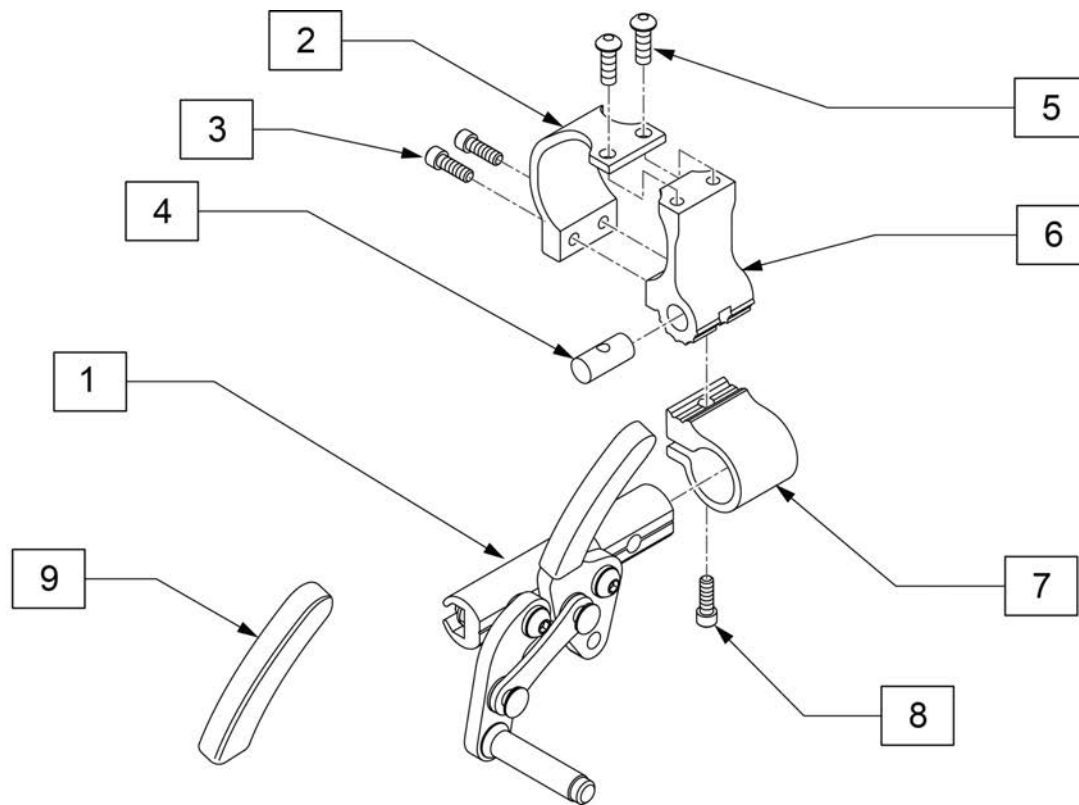
Pos.	Item Number	Description	Remarks
1	145132	18" DYN CTRER REAR CASTER	Fits chairs w/18" Wheels
1	145133	20" DYN CTRER REAR CASTER	Fits chairs w/20" Wheels
1	145134	22" DYN CTRER REAR CASTER	Fits chairs w/22" Wheels
1	145135	24" DYN CTRER REAR CASTER	Fits chairs w/24" Wheels
2	112341	SHCS, M5X.8X16, FULL, PL	
3	050136	NUT HEX NYLOCK M4	
4	220121	NUT HEX NYLOCK M5 BLACK	
5	102258	SHCS M4 X .7 X 45 PART, NP	
6	102260-003	SHCS, M5 X .8 X 35, PART, NP	
7	112655	ROUND NUT SIZE 4	
8	112653	ROUND NUT SIZE 2	
9	129431	CAMBER TUBE RESTRAINT COLLAR	
10	112341	SHCS, M5X.8X16, FULL, PL	
11	011825	SET SCREW M6X8MM CUP TIP	
12	145136	18 & 20 DYN CASTER ARM	Fits chairs w/18" or 20" Wheels
12	145138	22 & 24 DYN CASTER ARM	Fits chairs w/22" or 24" Wheels
13	145137	18 & 22 CASTER FORK KIT	Fits chairs w/18" or 22" Wheels
13	145139	20 & 24 CASTER FORK KIT	Fits chairs w/20" or 24" Wheels

Pos.	Item Number	Description	Remarks
14	123396	PIVOT PIN, SOLID	
15	123397	CASTER STEM, ADJ, HOLLOW	
16	102257	BHCS M4 x .7 x 8 INORGANIC	
17	502050	SPLINE CASTER ANGLE ADJ UPPER	
18	502051	SPLINE CASTER ANGLE ADJ LOWER	
19	112238	ASSM FORK LOW NARROW INTG BRG	
19	112239	ASSM FORK STD NARROW INTG BRG	
20	112783	AXLE CASTER NARROW 1/4"	
21	102259-001	BHCS,M5X0.8X12,FULL,PL	
22	106947	WASHER FLAT THIN AN 5/16 ROHS	
23	112781	SPACER, CASTER, NAR, INTEGRAL	
24	400109	3 INCH MICRO CSTR W/BRG BLK	
25	114479	E-STYLE BOWED CLIP	
26	230063	HHCS M6 X 1.0 X 70	

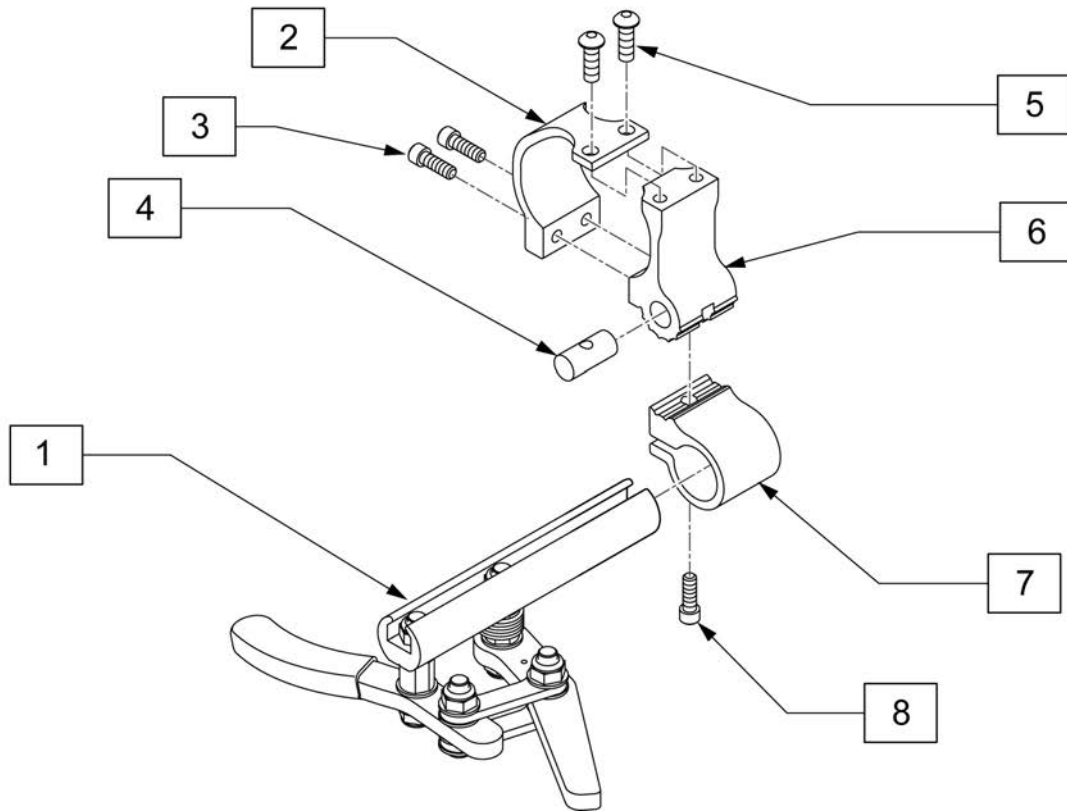


Pos.	Item Number	Description	Remarks
1	104216-001	HIGH MOUNT PUSH, RH	RIGHT
1	104216-002	HIGH MOUNT PUSH, LH	LEFT
3	102259-002	BHCS M5 x 0.8 x 20 W/ PL INORG	
4	112652	ROUND NUT SIZE 1	
5	103184-002	BHCS M5X0.8X8 FULL PL	
8	113317	SHCS M5X0.8X25 FULL PL	
2-8	114441	WHEEL LOCK CLAMP KIT	
9	104141	COVER CURVED WHEEL LOCK VINYL	

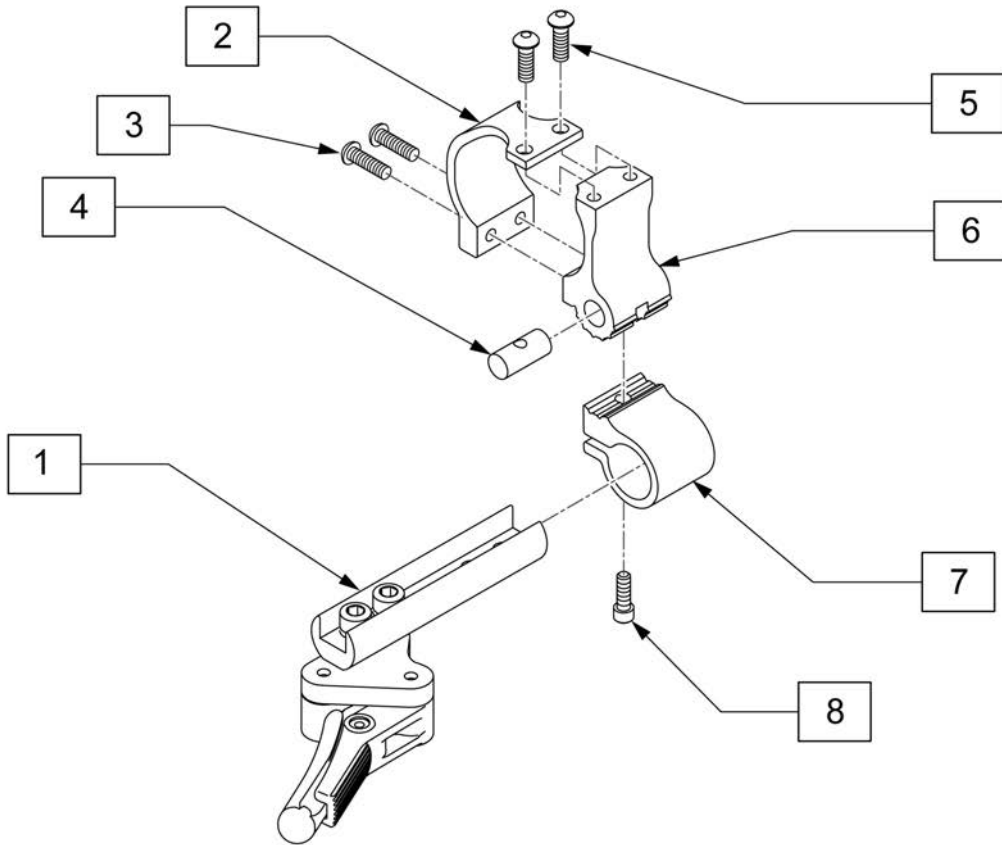
HIGH MOUNT PULL WHEEL LOCK



Pos.	Item Number	Description	Remarks
1	104227-001	HIGH MOUNT PULL, RH	RIGHT
1	104227-002	HIGH MOUNT PULL, LH	LEFT
3	102259-002	BHCS M5 x 0.8 x 20 W/ PL INORG	
4	112652	ROUND NUT SIZE 1	
5	103184-002	BHCS M5X0.8X8 FULL PL	
8	113317	SHCS M5X0.8X25 FULL PL	
2-8	114441	WHEEL LOCK CLAMP KIT	
9	104141	COVER CURVED WHEEL LOCK VINYL	

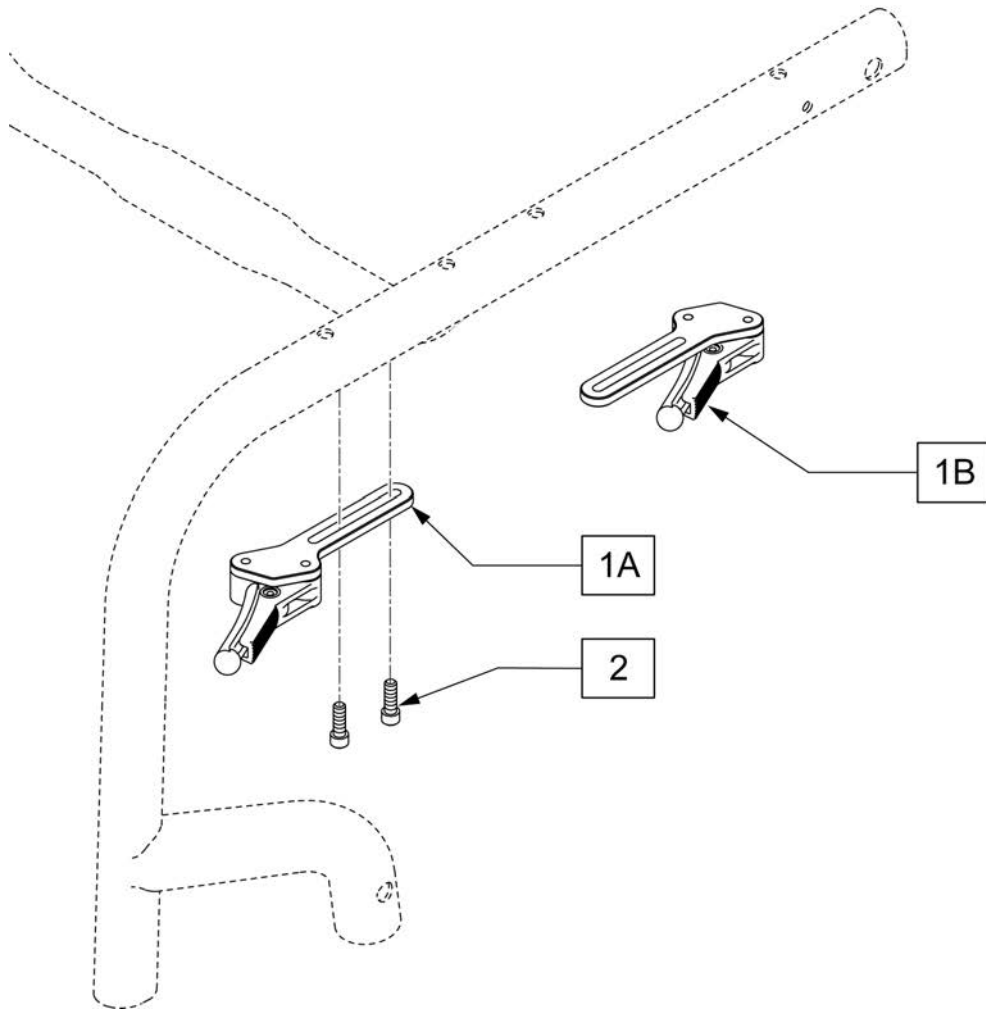


Pos.	Item Number	Description	Remarks
1	104726-001	ERGOSCISSOR, RH	RIGHT
1	104726-002	ERGOSCISSOR, LH	LEFT
3	102259-002	BHCS M5 x 0.8 x 20 W/ PL INORG	
4	112652	ROUND NUT SIZE 1	
5	103184-002	BHCS M5X0.8X8 FULL PL	
8	113317	SHCS M5X0.8X25 FULL PL	
9	104141	COVER CURVED WHEELLOCK VIN	
2-9	114441	WHEEL LOCK CLAMP KIT	



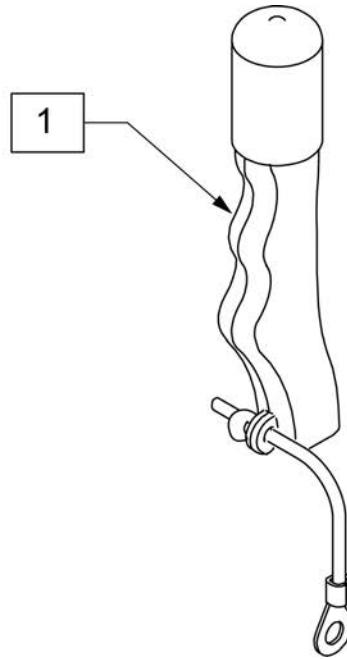
Pos.	Item Number	Description	Remarks
1	066608-001	LIGHTWEIGHT C WHEEL LOCK LH	LEFT
1	066608-002	LIGHTWEIGHT C WHEEL LOCK RH	RIGHT
3	102259-002	BHCS M5 x 0.8 x 20 W/ PL INORG	
4	112652	ROUND NUT SIZE 1	
5	103184-002	BHCS M5X0.8X8 FULL PL	
8	113317	SHCS M5X0.8X25 FULL PL	
2-8	114441	WHEEL LOCK CLAMP KIT	

NOTE: In order to mount the Compact Wheel Lock for the Ultra Lite package on a Q7, three rivnuts must exist on the underside of the frame rail. If they are not there a new frame must be ordered to add this option.



Pos.	Item Number	Description	Remarks
1A	066600-101	LIGHTWEIGHT C WHEEL LOCK LH STD	Left
1A	066600-102	LIGHTWEIGHT C WHEEL LOCK RH STD	Right
1A	066600-100	CMPCT WHLLCK LW STD ASSY PR	pair
1B	066600-201	LIGHTWEIGHT C WHEEL LOCK LH FRONT MOUNT	Left
1B	066600-202	LIGHTWEIGHT C WHEEL LOCK RH FRONT MOUNT	Right
1B	066600-200	CMPCT WHLLCK LW FRONT MOUNT ASSY PR	pair
2	102259-002	BHCS M5 X .8 X 20 W/PL INORG	

Note: used on High Mount Push and Pull Wheel Locks only.



Pos.	Item Number	Description	Remarks
1	119563	WHEEL LOCK EXT ASSY (PAIR)	Pair

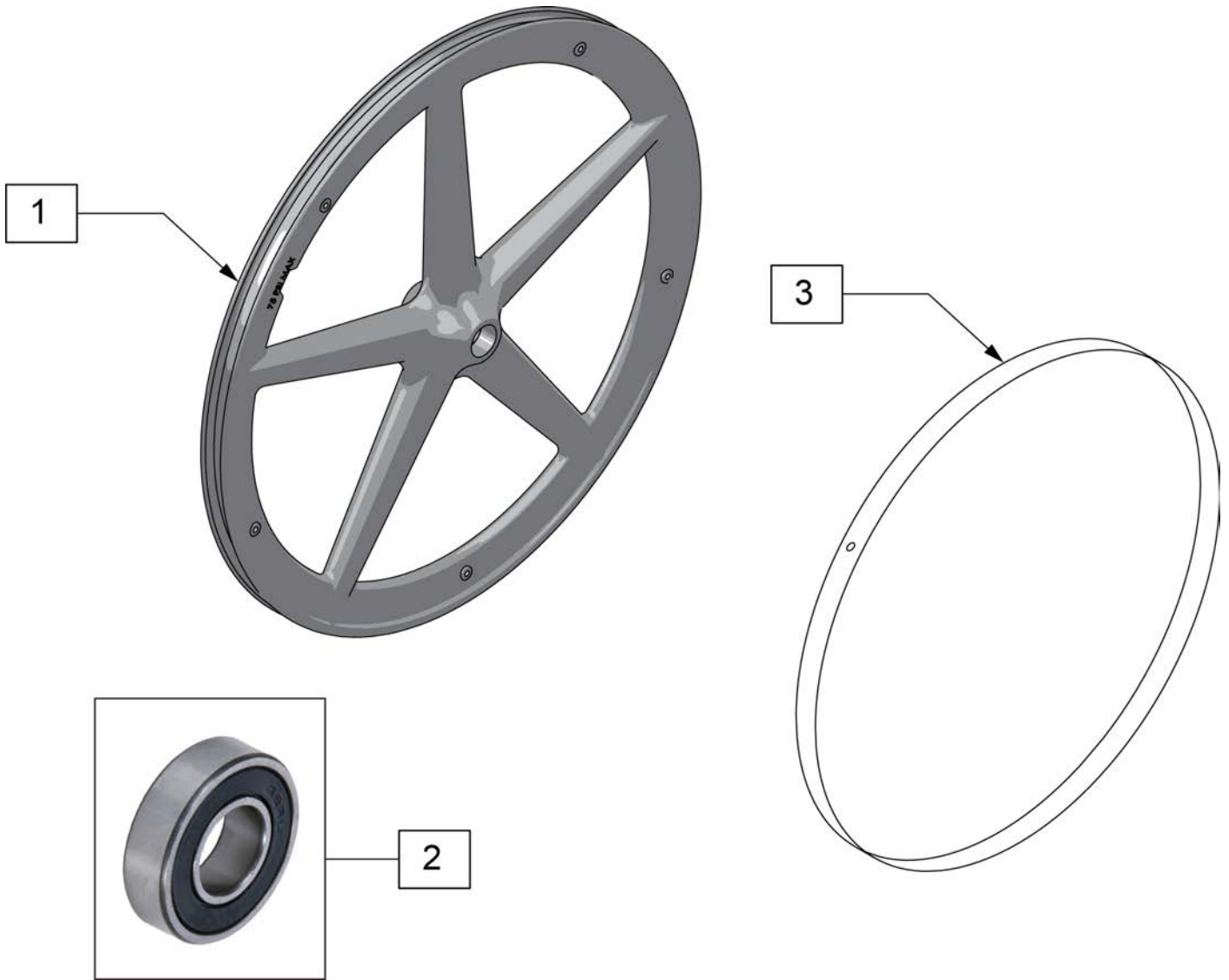
NOTE: THIS WHEEL UTILIZES SCREW MOUNT HANDRIMS - THE HANDRIM HAS A THREADED HOLE THAT MOUNTS THE HANDRIM TO THE WHEEL THROUGH A SPACER AND FASTNER.

NOTE: IF MAG WHEEL ASSEMBLY WAS ORDER WITH OUT HANDRIM AND A HANDRIM IS ADDED TO THE WHEEL QTY 6 OF 561037 AND 281175 MUST BE ORDERED TO PROPERLY MOUNT THE HANDRIM.

NOTE: FOR ZIPPIE X'CAPE 6 SPOKE MAGS ARE ONLY AVAILABLE WITH THE ONE ARM DRIVE.



Pos.	Item Number	Description	Remarks
1-3	401094	20" MAG W/BRNG 6 SPOKE	20"
1-3	401093	22" MAG W/BRNG 6 SPOKE	22"(501mm)
1-3	401092	24" MAG W/BRNG 6 SPOKE	24"(540mm)
2	349500	1 1/8 X 1/2 BEARING	
3	521564	MAG BEARING SPACER	
4	101932	SPCR .194ID X .375 OD X .750	Used when previously ordered with Omit handrims or Natural Fit Handrims



Pos.	Item Number	Description	Remarks
1,2	128985	20" 5 SPOKE MAG WHEEL	20" (451mm)
1,2	128986	22" 5 SPOKE MAG WHEEL	22" (501mm)
1,2	126405	24" MAG W/BRNG 5 SPOKE	24" (540mm)
2	349500	1 1/8 X 1/2 BEARING	
3	129325	20" MAG RIM STRIP	
3	129324	22" MAG RIM STRIP	
3	127912	24" MAG RIM STRIP	

Note: 5 Spoke Mag is not compatible with One Arm Drive or Projection Handrims.

NOTE: THIS WHEEL UTILIZES SCREW MOUNT HANDRIMS - THE HANDRIM HAS A THREADED HOLE THAT MOUNTS THE HANDRIM TO THE WHEEL THROUGH A SPACER AND FASTNER.



Pos.	Item Number	Description	Remarks
1A	116178	WHEEL ASSY MBL 20"	20" (451)
1B	116179	WHEEL ASSY MBL 22"	WHL RIM/SPOKE MBL 22 (501)
1C	116180	WHEEL ASSY MBL 24"	WHL RIM/SPOKE MBL 24 (540)
1D	116181	WHEEL ASSY MBL 25"	WHL RIM/SPOKE MBL 25 (559)
1E	116182	WHEEL ASSY MBL 26"	WHL RIM/SPOKE MBL 26 (590)
2	114097	BEARING, REPLACEMENT, MBL	12.7mm i.d. - 28mm o.d. - 8mm wide
3A	118100	MBL LT 20IN SPOKE RPLMNT KIT	Kit contains 6 inner and 6 outer spokes
3B	118101	MBL LT 22IN SPOKE RPLMNT KIT	Kit contains 6 inner and 6 outer spokes
3C	118102	MBL LT 24IN SPOKE RPLMNT KIT	Kit contains 6 inner and 6 outer spokes
3D	118103	MBL LT 25IN SPOKE RPLMNT KIT	Kit contains 6 inner and 6 outer spokes
3E	118104	MBL LT 26IN SPOKE RPLMNT KIT	Kit contains 6 inner and 6 outer spokes

NOTE: THIS WHEEL UTILIZES TAB MOUNT HANDRIMS - THE HANDRIM HAS A STRAIGHT TAB THAT MOUNTS TO THE WHEEL THROUGH THE RIM.



Pos.	Item Number	Description	Remarks
1A	112857	ULTRA LIGHTWEIGHT WHEEL 20"	20"
1B	112858	ULTRA LIGHT WHEEL 22"	22"(501mm)
1C	112859	ULTRA LIGHTWEIGHT WHEEL 24"	24"(540mm)
1D	112860	ULTRA LIGHTWEIGHT WHEEL 25"	25"(559mm)
2	349500	1 1/8 X 1/2 BEARING	
3A	118105	ULTRA LT 20IN SPOKE RPLMNT KIT	Kit contains 12 spokes
3B	118106	ULTRA LT 22IN SPOKE RPLMNT KIT	Kit contains 12 spokes
3C	118107	ULTRA LT 24IN SPOKE RPLMNT KIT	Kit contains 12 spokes
3D	118108	ULTRA LT 25IN SPOKE RPLMNT KIT	Kit contains 12 spokes

NOTE: THIS WHEEL UTILIZES TAB MOUNT HANDRIMS - THE HANDRIM HAS A STRAIGHT TAB THAT MOUNTS TO THE WHEEL THROUGH THE RIM.



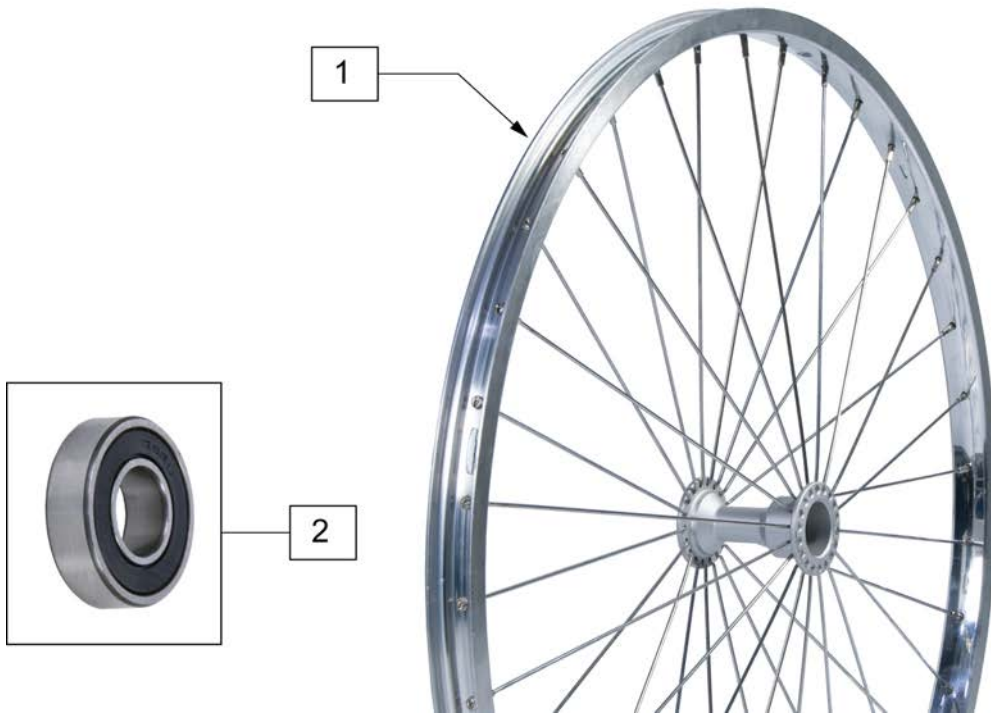
Pos.	Item Number	Description	Remarks
1	762438	SPINERGY STD WHEEL 540 BLK SPK	24"(540mm)
1	762441	SPINERGY STD WHL 559 BLK SPK	25"(559mm)
1	762437	SPINERGY STD WHEEL 590 BLK SPK	26"(590mm)
1	762442	SPINERGY STD WHEEL 540 BLUE	24"(540mm)
1	762444	SPINERGY STD WHEEL 559 BLU	25"(559mm)
1	762446	SPINERGY STD WHEEL 590 BLUE	26"(590mm)
1	762443	SPINERGY STD WHEEL 540 RED	24"(540mm)
1	762445	SPINERGY STD WHEEL 559 RED	25"(559mm)
1	762447	SPINERGY STD WHEEL 590 RED	26"(590mm)
1	762456	SPINERGY STD WHEEL 540 WHT	24"(540mm)
1	762463	SPINERGY STD WHL 559 WHT SPK	25"(559mm)
1	762467	SPINERGY STD WHEEL 590 WHT	26"(590mm)
1	762433	SPINERGY STD WHEEL 540 YELLOW	24"(540mm)
1	762462	SPINERGY STD WHL 559 YLW SPK	25"(559mm)
1	762431	SPINERGY STD WHEEL 590 YELLOW	26"(590mm)
2	349500	1 1/8 X 1/2 BEARING	

NOTE: THIS WHEEL UTILIZES TAB MOUNT HANDRIMS - THE HANDRIM HAS A STRAIGHT TAB THAT MOUNTS TO THE WHEEL THROUGH THE RIM.



Pos.	Item Number	Description	Remarks	Pos.	Item Number	Description	Remarks
1	101988-001	SPINRGY SPT LT EX WHL 540 BLK	24"(540mm)	1	101992-003	SPINRGY SPT LT EX WHL 590 RED	26"(590mm)
1	101989-001	SPINRGY LT EX WHEEL 540 BLK	24"(540mm)	1	101993-003	SPINRGY LT EX WHEEL 590 RED	26"(590mm)
1	101990-001	SPINRGY SPT LT EX WHL 559 BLK	25"(559mm)	1	101988-005	SPINRGY SPT LT EX WHL 540 WHT	24"(540mm)
1	101991-001	SPINRGY LT EX WHEEL 559 BLK	25"(559mm)	1	101989-005	SPINRGY LT EX WHEEL 540 WHT	24"(540mm)
1	101992-001	SPINRGY SPT LT EX WHL 590 BLK	26"(590mm)	1	101990-005	SPINRGY SPT LT EX WHL 559 WHT	25"(559mm)
1	101993-001	SPINRGY LT EX WHEEL 590 BLK	26"(590mm)	1	101991-005	SPINRGY LT EX WHEEL 559 WHT	25"(559mm)
1	101988-002	SPINRGY SPT LT EX WHL 540 BLU	24"(540mm)	1	101992-005	SPINRGY SPT LT EX WHL 590 WHT	26"(590mm)
1	101989-002	SPINRGY LT EX WHEEL 540 BLU	24"(540mm)	1	101993-005	SPINRGY LT EX WHEEL 590 WHT	26"(590mm)
1	101990-002	SPINRGY SPT LT EX WHL 559 BLU	25"(559mm)	1	101988-004	SPINRGY SPT LT EX WHL 540 YLW	24"(540mm)
1	101991-002	SPINRGY LT EX WHEEL 559 BLU	25"(559mm)	1	101989-004	SPINRGY LT EX WHEEL 540 YLW	24"(540mm)
1	101992-002	SPINRGY SPT LT EX WHL 590 BLU	26"(590mm)	1	101990-004	SPINRGY SPT LT EX WHL 559 YLW	25"(559mm)
1	101993-002	SPINRGY LT EX WHEEL 590 BLU	26"(590mm)	1	101991-004	SPINRGY LT EX WHEEL 559 YLW	25"(559mm)
1	101988-003	SPINRGY SPT LT EX WHL 540 RED	24"(540mm)	1	101992-004	SPINRGY SPT LT EX WHL 590 YLW	26"(590mm)
1	101989-003	SPINRGY LT EX WHEEL 540 RED	24"(540mm)	1	101993-004	SPINRGY LT EX WHEEL 590 YLW	26"(590mm)
1	101990-003	SPINRGY SPT LT EX WHL 559 RED	25"(559mm)	2	349500	1 1/8 X 1/2 BEARING	
1	101991-003	SPINRGY LT EX WHEEL 559 RED	25"(559mm)				

NOTE: THIS WHEEL UTILIZES TAB MOUNT HANDRIMS - THE HANDRIM HAS A STRAIGHT TAB THAT MOUNTS TO THE WHEEL THROUGH THE RIM



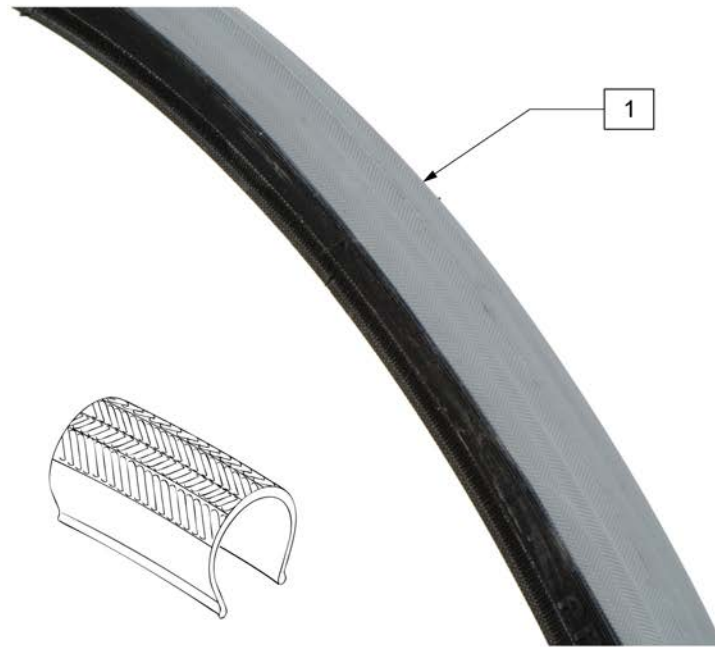
Pos.	Item Number	Description	Remarks
1	401075	24 RIM ASSM X 1.5 SUN PSH BTTN	22" (507MM)
1	401076	24" HT RIM ASSM SUN PUSH BTTN	25" (559MM)
2	349500	1 1/8 X 1/2 BEARING	



Pos.	Item Number	Description	Remarks
1	385237	16" X 1.75" PNEU TIRE	
1	385250	20" PNEUMATIC TIRE	
1	385275	22" PNEUMATIC TIRE	22" x 1 3/8 (501mm)
1	385300	24" PNEUMATIC TIRE	24" x 1 3/8 (540mm)
1	385325	26" PNEUMATIC TIRE	26" x 1 3/8 (590mm)
1	384614	24" x 2.125 PNEUMATIC TIRE	24"x2 1/8 (540mm) used w/ M6



Pos.	Item Number	Description	Remarks
1	386232	20" POLY TIRE STD	20"
1	386242	22" POLY TIRE STD	22" (501mm)
1	386252	24" POLY TIRE STD	24" (540mm)



Pos.	Item Number	Description	Remarks
1	385280	22" x 1" HI PRES CLINCHER	22" (501mm)
1	389020	24" x 1" HI PRES CLNCHR TIRE	24" (540mm)
1	389012	QP 24" x 1" HT TURB BLK WR/BD 559	25" (559mm)
1	389030	26" x 1" HI PRES CLNCHR TIRE	26" (590mm)
1	105919	22" x 1" HI PRESS CLNCHR ULTRALIGHT	22" (489mm)



Pos.	Item Number	Description	Remarks
1	109211	TIRE 24 V TRAK KNOBBY GRY/GRY	24"(540mm)



Pos.	Item Number	Description	Remarks
1	384604	TIRE CS 24 X 2.1 SMOKER 507MM	22" (501mm)
1	384606	TIRE CS 26 X 2.1 SMOKER 559MM	25" (559mm)

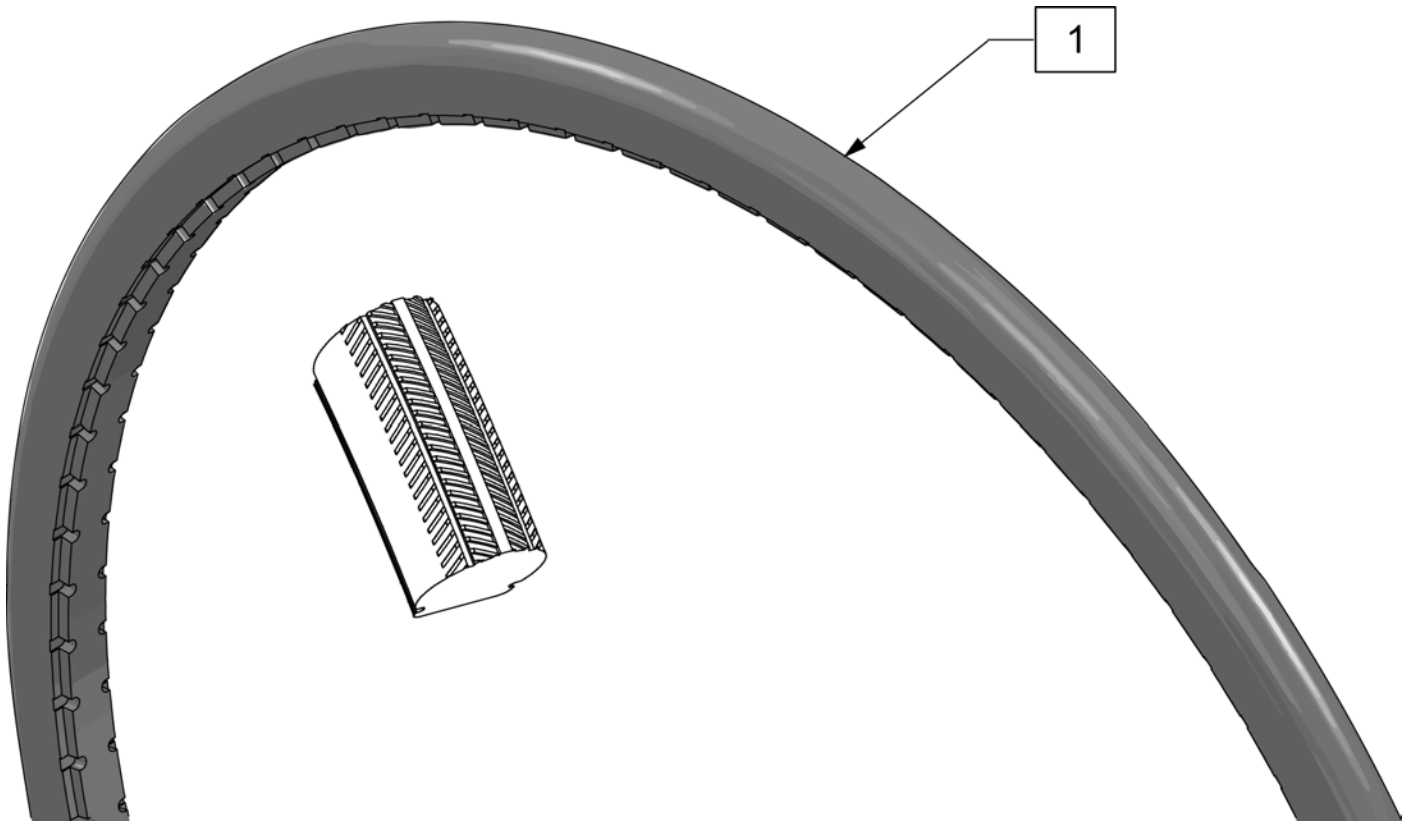


Pos.	Item Number	Description	Remarks
1	102066-004	TIRE SCHWALBE MP 489 BLK	22" (489mm)
1	102066-001	TIRE SCHWBL MPE 540 BLK	24" (540mm)
1	102066-002	TIRE SCHWBL MPE 559 BLK	25" (559mm)
1	102066-003	TIRE SCHWBL MPE 590 BLK	26" (590mm)



Pos.	Item Number	Description	Remarks
1	113247	TIRE SCHWALBE SPEED RUN 24"	24"(540mm)
1	113248	TIRE SCHWALBE SPEED RUN 25"	25"(559mm)

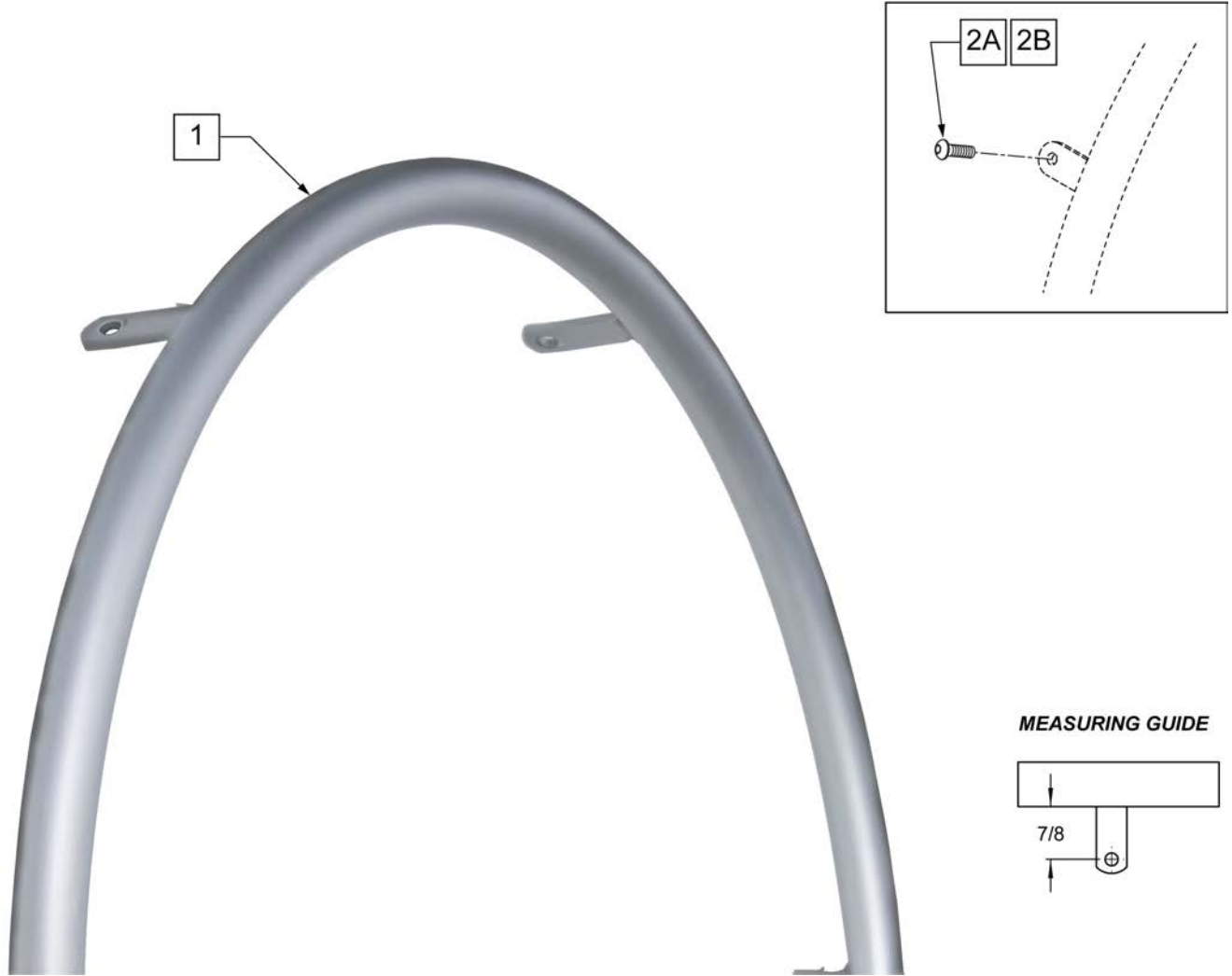
Note: Shox Tire do not fit Topolino Wheels due to width.



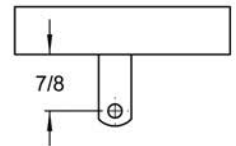
Pos.	Item Number	Description	Remarks
1	129924	TIRE SHOX CEW20"	20"(457mm) Black
1	129925	TIRE SHOX CEW22"	22"(501mm) Black
1	129926	TIRE SHOX CEW24"	24"(540mm) Black
1	129927	TIRE SHOX CEW25"	25"(559mm) Black



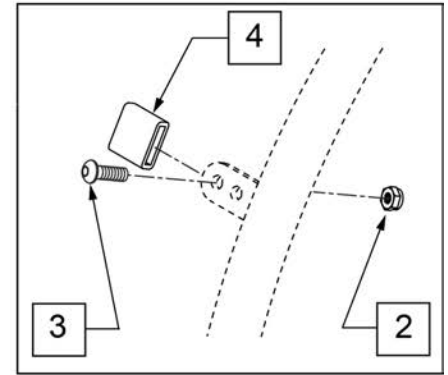
Pos.	Item Number	Description	Remarks
>>>>>	>>>>>>>>>>	LITE SPOKE	>>>>>
1	107172	HANDRIM 20	20" LITE SPOKE
1	107173	HANDRIM 22	22" (501) LITE SPOKE
1	107174	HANDRIM 24	24" (540) LITE SPOKE
1	107175	HANDRIM 25	25" (559) LITE SPOKE
1	107176	HANDRIM 26	26" (590) LITE SPOKE
2A	107267	HAND RIM SPACER REG THIN	LITE SPOKE
3A	108256	M5 X 0.8 X 40 PHIL BLK ROHS	LITE SPOKE
>>>>>	>>>>>>>>>>	SPOKE	>>>>>
1,2B,3B	425931	20" HR 6SMT W/HDWR	20" SPOKE
1,2B,3B	425941	22" HR 6SMT W/HDWR	22" (501) SPOKE
1,2B,3B	426000	24" HR 6SMT W/ HDWR	24" (540) SPOKE
2B	561036	HANDRIM SPACER (REG)	SPOKE
3B	281170	10-32 X 1 5/8 PAN PHIL SS	SPOKE
>>>>>	>>>>>>>>>>	MAG	>>>>>
1,3C	425934	20" HR 6SMT 6MAG W/HDWR	20" MAG
1,3C	425951	22" HR 6SMT 6MAG W/HDWR	22" (501) MAG
1,3C	426009	24" HR 6SMT 6MAG W/HDWR	24" (540) MAG
3C	281175	10-32 X 2 1/8 PAN PHIL SS	MAG



MEASURING GUIDE

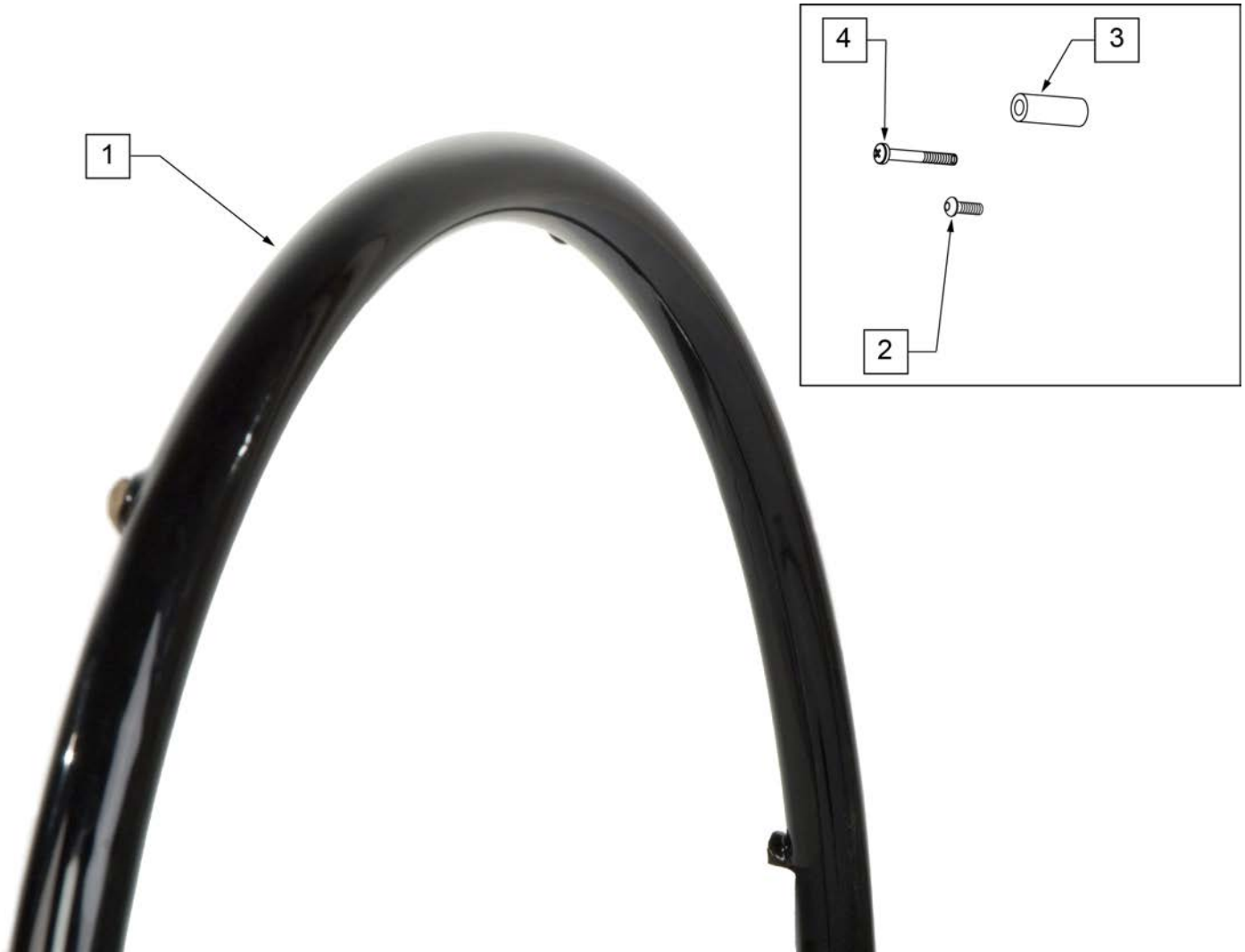


Pos.	Item Number	Description	Remarks
>>>>>	>>>>>>>>>	ULTRA LITE SPOKE	>>>>>
1	100739-001	HANDRIM 22" WHL MBL 1260	22" (489)
1	100739-002	HANDRIM 24" WHL MBL 1260	24" (540)
1	100739-003	HANDRIM 26" WHL MBL 1260	26" (590)
2A	102259-001	BHCS M5 X .8 X 12 W/PL INORG	QTY 6 REG
>>>>>	>>>>>>>>>	NEW ULTRA LITE SPOKE	>>>>>
1	066516-002	LIGHTWEIGHT HANDRIM 22"	22" (489)
1	066516-003	LIGHTWEIGHT HANDRIM 24"	24" (540)
1	066516-004	LIGHTWEIGHT HANDRIM 25"	26" (559)
2B	012931	BHCS M5 X 10 W/PL BLK CL 10.9	QTY 6 REG

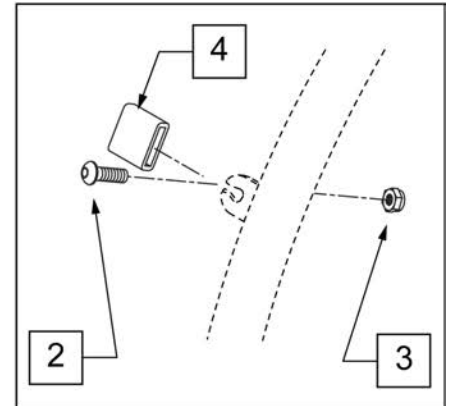


Pos.	Item Number	Description	Remarks
>>>>	>>>>>>>>>	CROSS SPOKE & SPOKE	>>>>
1 -4	425095	HANDRIM 18" 4T W/HDWR ANO	18" SPOKE
1	529529	QP 24" HR .065 (6) TAB ANO	24" (540) CROSS SPOKE -SHORT & REG TAB
1 -4	425030	24" HR 6T BB/HTBB W/HDWR	25" (590) CROSS SPOKE
>>>>	>>>>>>>>>	CROSS SPOKE QP (QUICKIE PERFORMANCE)	>>>>
1 -4	425050	26" HR 6T BB/TN W/HDWR	26" (590) CROSS SPOKE TENNIS & BBALL
1 -4	425045	24" HR SHT(6T)ANO W/X/S HDWR	25" (590) CROSS SPOKE TENNIS & BBALL-SHORT TAB
1 -4	425048	26" HR (6T)ANO W/X/S HDWR	26" (700) CROSS SPOKE TENNIS & BBALL -REG TAB
1 -4	425055	26" HR SHT(6T)ANO W/X/S HDWR	26" (700) CROSS SPOKE TENNIS & BBALL-SHORT TAB
1 -4	426015	QP 24" HR .049 W/HDWR SMT	24" (540) TENNIS
1 -4	425030	24" HR 6T BB/HTBB W/HDWR	25" (559) TENNIS & BASKETBALL
1 -4	426050	QP 26" HR .065 W/HDWR (6T)	26" (700) TENNIS & BASKETBALL
1 -4	425050	26" HR 6T BB/TN W/HDWR	26" (590) TENNIS & BASKETBALL
>>>>	>>>>>>>>>	SPINERGY	>>>>
1	529529	QP 24" HR .065 (6) TAB ANO	24" (540) SPINERGY
1 -4	425038	QP 24" HR .049 W/HDWR (6T)	25" (559) SPINERGY
1 -4	425050	26" HR 6T BB/TN W/HDWR	26" (590) SPINERGY
>>>>	>>>>>>>>>	MOUNTAIN	>>>>
1 -4	425020	22" HR 4T W/HDWR	24" (540) MOUNTAIN
1 -4	425030	24" HR 6T BB/HTBB W/HDWR	26" (590) MOUNTAIN
2	200100-QU	10-32 NYLOCK NUT	
3	281110	10-32 X 1/2 PAN PHIL	

Pos.	Item Number	Description	Remarks
4	580301	HR TAB COVER BLK	

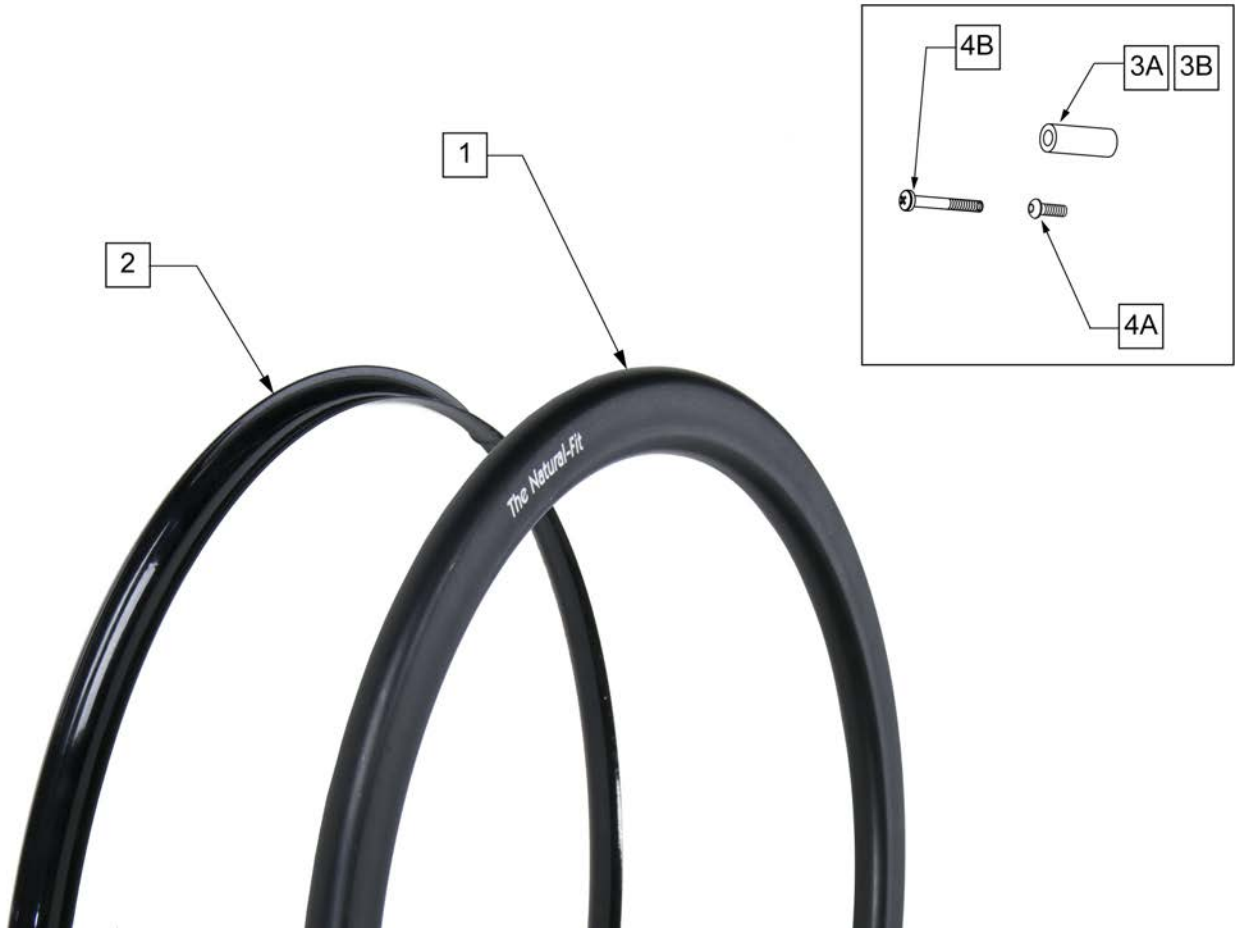


Pos.	Item Number	Description	Remarks
>>>>	>>>>>>>>>	SPOKE & LITE SPOKE	>>>>
1 -4	425933	20" HR 6SMT PLST W/HDWR	20" SPOKE
1 -4	425943	22" HR 6SMT PLST W/HDWR	22" (501) SPOKE
1 -4	426004	24" HR 6SMT PLST W/HDWR	24" (540) SPOKE
>>>>	>>>>>>>>>	MAG	>>>>
1 -4	425935	20" HR 6SMT 6MAG PLST W/HDWR	20" MAG
1 -4	425953	22" HR 6SMT 6MAG PLST W/HDWR	22" (501) MAG
1 -4	426013	24" HR 6SMT 6MAG PLST W/HDWR	24" (540) MAG
>>>>	>>>>>>>>>	M6 SPOKE	>>>>
1 -4	425953	22" HR 6SMT 6 MAG PLST W/ HDWR	24" (540) M6 SPOKE
2	281170	10 -32 x 1 5/8 PAN PHIL SS	SPOKE
3	561036	HANDRIM SPACER REG	SPOKE
4	281175	10 -32 x 2 1/8 PAN PHIL SS	MAG



Pos.	Item Number	Description	Remarks
>>>>>	>>>>>>>>>>	MOUNTAIN	>>>>>
1 -4	425022	22" HR 4T PLST W/ HDWR	24" (540)
1 -4	425032	24"HR 6T PLST BB/NTBB/TN W/HDWR	26" (590)
>>>>>	>>>>>>>>>>	SPINERGY	>>>>>
1 -4	425039	24"HR 6T BLK PLST W/HDWR	24" (540)
1 -4	425032	24"HR 6T PLST BB/NTBB/TN W/HDWR	25" (559)
1 -4	425052	26" HR 6T PLST BB/TN W/HDWR	26" (590)
>>>>>	>>>>>>>>>>	QP (QUICKIE PERFORMANCE)	>>>>>
1 -4	425032	24"HR 6T PLST BB/NTBB/TN W/HDWR	25" (559)
1 -4	425052	26" HR 6T PLST BB/TN W/HDWR	26" (590)
1 -4	426060	QP 26" HR W/ HDWR (6T) PLASTIC	26" (700)
2	281110	10 -32 x 1/2 PAN PHIL	
3	200100-QU	10 -32 NYLOCK NUT	
4	580301	HR TAB COVER BLK	

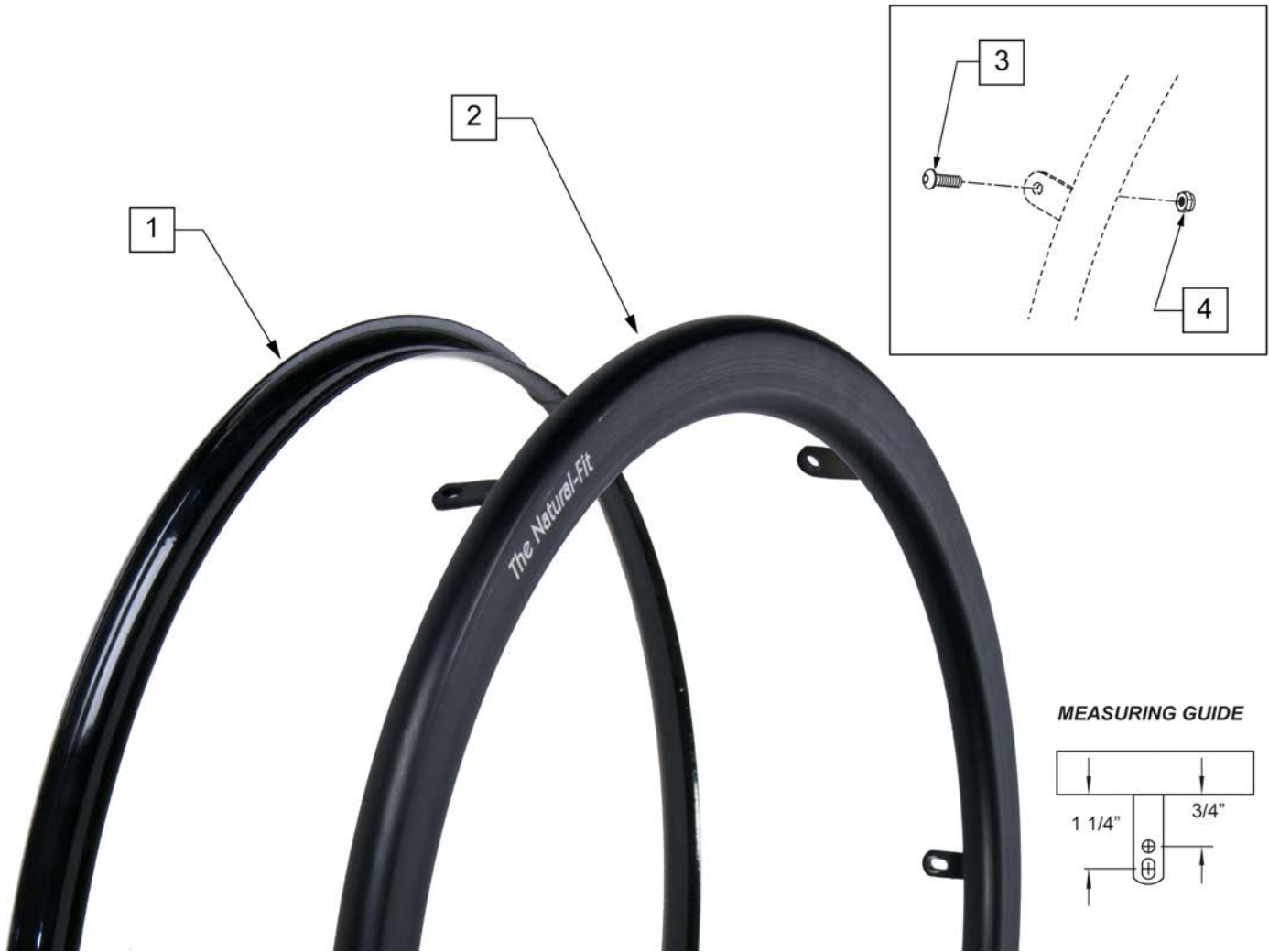
Note: Screw Mount Handrims are utilized with Lite Spoke, Spoke and 6 Spoke Mag Wheels.



Pos.	Item Number	Description	Remarks
>>>>>	>>>>>>>>>>	STD GRIP THUMB GUARD	>>>>>
2	102168-001	GUARD THUMB NAT FIT 22 PC BLK	22" (501)- Std Grip Thumb Guard
2	102168-003	GUARD THUMB NAT FIT 24 PC BLK	24" (540)- Std Grip Thumb Guard
2	102168-005	GUARD THUMB NAT FIT 25 PC BLK	25" (559)- Std Grip Thumb Guard
2	102168-007	GUARD THUMB NAT FIT 26 PC BLK	26" (590)- Std Grip Thumb Guard
>>>>>	>>>>>>>>>>	SUPER GRIP THUMB GUARD	>>>>>
2	102168-002	GUARD THUMB NAT FIT 22 SG BLK	22" (501)- Super Grip Thumb Guard
2	102168-004	GUARD THUMB NAT FIT 24 SG BLK	24" (540)- Super Grip Thumb Guard
2	102168-006	GUARD THUMB NAT FIT 25 SG BLK	25" (559)- Super Grip Thumb Guard
2	102168-008	THUMB GUARD NAT FIT 26 SG BLK	26" (590)- Super Grip Thumb Guard
>>>>>	>>>>>>>>>>	NATURAL FIT LITE HANDRIM	>>>>>
1	108834-001	HAND RIM NAT-FIT LT RV NT 22"	22" (501)
1	108834-002	HAND RIM NAT-FIT LT RV NT 24"	24" (540)
1	108834-003	HAND RIM NAT-FIT LT RV NT 25"	25" (559)
1	108834-004	HAND RIM NAT-FIT LT RV NT 26"	26" (590)
>>>>>	>>>>>>>>>>	NATURAL FIT HANDRIM	>>>>>
1	102169-001	HAND RIM NAT FIT RV NT 22 BLK	22" (501)
1	102169-002	HAND RIM NAT FIT RV NT 24 BLK	24" (540)

Pos.	Item Number	Description	Remarks
1	102169-003	HAND RIM NATF RIV 25" BLK	25" (559)
1	102169-004	HAND RIM NATF RIV 26" BLK	26" (590)
3A	101931	SPCR .194ID X .43OD X 1.13LG	USED W/ LITE SPOKE & SPOKE
3B	101932	SPCR .194ID X .375 OD X .750	USED W/ MAG
4A	226034	10-32 X 1 3/4 BH C/S BLK	USED W/ LITE SPOKE & SPOKE
4B	281175	10-32 X 2 1/8 PAN PHIL SS	USED W/ MAG

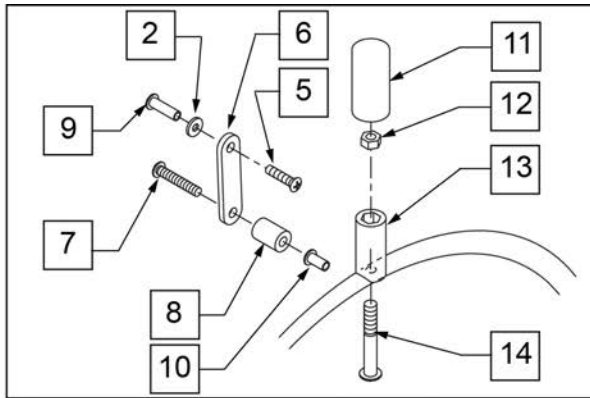
Note: Tab Mount Hand Rims are utilized with Spinergy & Toplino Wheels.



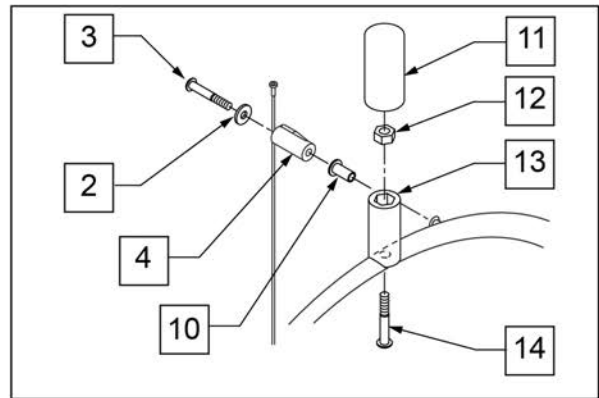
Pos.	Item Number	Description	Remarks
>>>>>	>>>>>>>>>	STD GRIP THUMB GRIP	>>>>>
1	102168-001	GUARD THUMB NAT FIT 22 PC BLK	22" (501)
1	102168-003	GUARD THUMB NAT FIT 24 PC BLK	24" (540)
1	102168-005	GUARD THUMB NAT FIT 25 PC BLK	25" (559)
1	102168-007	GUARD THUMB NAT FIT 26 PC BLK	26" (590)
>>>>>	>>>>>>>>>	SUPER GRIP THUMB GUARD	>>>>>
1	102168-002	GUARD THUMB NAT FIT 22 SG BLK	22" (501)
1	102168-004	GUARD THUMB NAT FIT 24 SG BLK	24" (540)
1	102168-006	GUARD THUMB NAT FIT 25 SG BLK	25" (559)
1	102168-008	THUMB GUARD NAT FIT 26 SG BLK	26" (590)
>>>>>	>>>>>>>>>	NATURAL FIT LITE HANDRIM	>>>>>
2	108859	HAND RIM NAT FT LT TAB 22 BLK	22" (501)
2	108860	HAND RIM NAT FT LT TAB 24 BLK	24" (540)
2	108861	HAND RIM NAT FT LT TAB 25 BLK	25" (559)

Pos.	Item Number	Description	Remarks
2	110981	HAND RIM NAT FIT LT TAB 26 BLK	26" (590)
>>>>	>>>>>>>>>>	NATURAL FIT -W/O THUMB GRIP	>>>>
2	102170-001	HAND RIM NAT FIT TAB 22 BLK	22" (501)
2	102170-002	HAND RIM NAT FIT TAB 24 BLK	24" (540)
2	102170-003	HAND RIM NAT FIT TAB 25 BLK	25" (559)
2	102170-004	HAND RIM NAT FIT TAB 26 BLK	26" (590)
3	281110	10-32 X 1/2 PAN PHIL	USED W/ SPINERGYS
4	200100-QU	10-32 NYLOCK NUT	USED W/ SPINERGYS

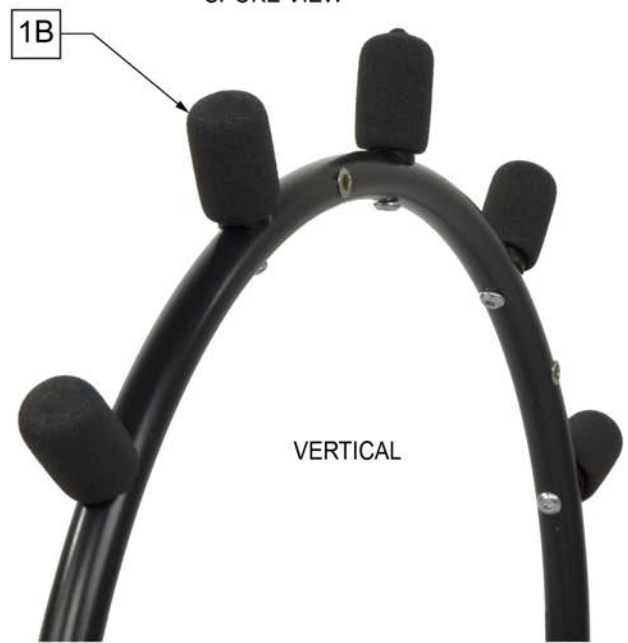
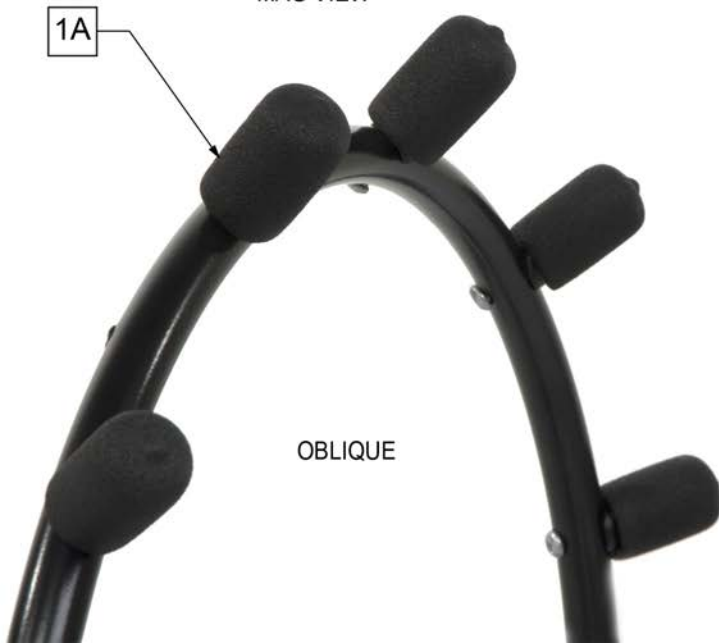
Note: Not all Projection Hand Rims are offered on all chairs, check the orderform for compatibility.



MAG VIEW

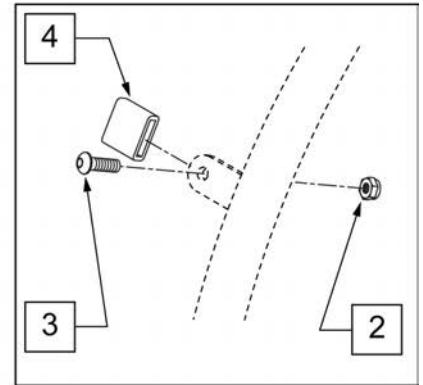


SPOKE VIEW

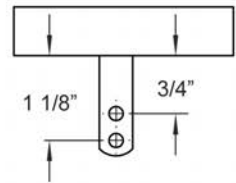


Pos.	Item Number	Description	Remarks
>>>>>	>>>>>>>>>	8" OBLIQUE	>>>>>
1A, 2-4, 10-14	427003	PROJ 24/26" HR 8OBLQ W/HDWR	24" (540), 25" (559), 26" (590) SPOKE
1A, 2, 3-14	427511	PROJ 24" HR 6MAG 8OBLQ W/HDWR	24" (540) MAG
>>>>>	>>>>>>>>>	12" OBLIQUE	>>>>>
1A, 2-4, 10-14	427007	PROJ 24/26" HR 12OBLQ W/HDWR	24" (540), 25" (559), 26" (590) SPOKE
1A,2, 5-14	427515	PROJ 24" HR 6MAG 12OBLQ W/HDWR	24" (540) MAG
>>>>>	>>>>>>>>>	8" VERTICAL	>>>>>
1B, 4, 10-14	427002	PROJ 24/26" HR 8VERT W/HDWR	24" (540), 25" (559), 26" (590) SPOKE
1B,2, 5-14	427510	PROJ 24" HR 6 MAG 8 VERT W/ HDWR	24" (540) MAG
>>>>>	>>>>>>>>>	12" VERTICAL	>>>>>
1B,4, 10-14	427006	PROJ 24/26" HR 12VERT W/HDWR	24" (540), 25" (559), 26" (590) SPOKE
1B,2, 5-14	427514	PROJ 24" HR 6MAG 12VERT W/HDWR	24" (540) MAG
2	261300	3/16 WASHER FLAT	
3	281170	10-32 X 1 5/8 PAN PHIL SS	SPOKE ONLY
4	561046	PROJECTION SPOKE MOUNT	SPOKE ONLY

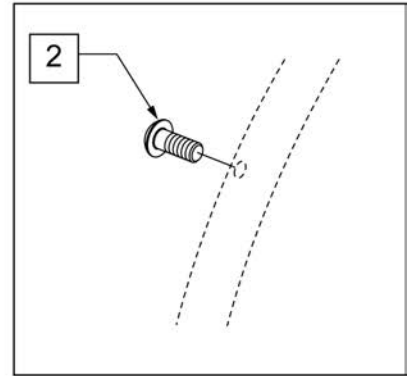
Pos.	Item Number	Description	Remarks
5	281120	10/32 X 5/8 PAN HD PHIL	MAG ONLY
6	505004	TOGGLE 2 - HOLE	MAG ONLY
7	281147	10-32 X 1 1/4 PAN PHIL	MAG ONLY
8	561037	HANDRIM SPACER MAG	MAG ONLY
11	560600	1 1/2 x .705 x .187 FOAM GRIP	
12	106935	NUT NYLOCK THIN 1/4-28 ROHS	
13	561044	PROJECTION PEG	
14	226155	1 1/4 -28 x 2 1/4 BH C/S	



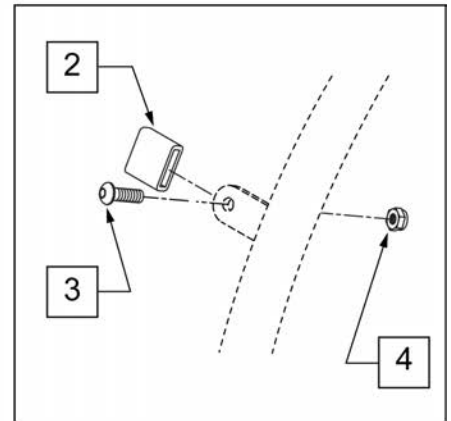
MEASURING GUIDE



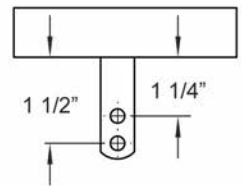
Pos.	Item Number	Description	Remarks
>>>>>	>>>>>>>>>	PAINTED REG TAB	>>>>>
1	529528	QP 24" HR .065 (6)TAB BLK PNTD	24" (540)
1-4	425041	24" HR (6T)BLK W/X/S HDWR	25" (559)
1	529527	QP 26" HR .065 (6)TAB BLK PNTD	26" (590)
1-4	425047	26" HR (6T)BLK W/X/S HDWR	26" (700)
>>>>>	>>>>>>>>>	PAINTED SHORT TAB	>>>>>
1	529528	QP 24" HR .065 (6)TAB BLK PNTD	24" (540)
1-4	425044	24" HR SHT(6T)BLK W/X/S HDWR	25" (559)
1	529527	QP 26" HR .065 (6)TAB BLK PNTD	26" (590)
1-4	425053	26" HR SHT(6T)BLK W/X/S HDWR	26" (700)
2	200100-QU	10-32 NYLOCK NUT	
3	281110	10-32 X 1/2 PAN PHIL	
4	580301	HR TAB COVER BLK	



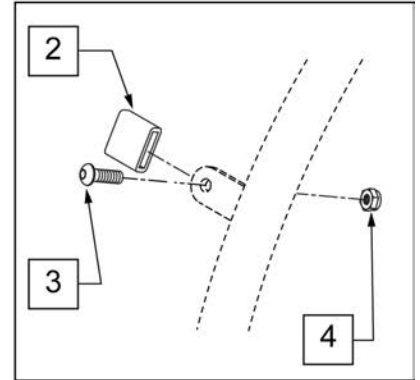
Pos.	Item Number	Description	Remarks
1,2	426026	20" SCW MT HR CHRM 6S W/HDWR	20"
1,2	426024	22" SCW MT HR CHRM 6S W/HDWR	22" (501)
1,2	426011	24 IN SCW MT HR CHRM 6S W/HDWR	24" (540)
2	281175	10-32 X 2 1/8 PAN PHIL SS	QTY 6 REG



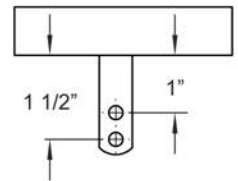
MEASURING GUIDE



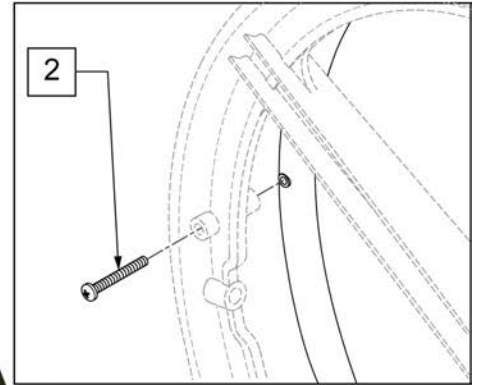
Pos.	Item Number	Description
1 -4		Assembly Obsolete
2	580301	HR TAB COVER BLK
3	281110	10-32 X 1/2 PAN PHIL
4	200100-QU	10-32 NYLOCK NUT



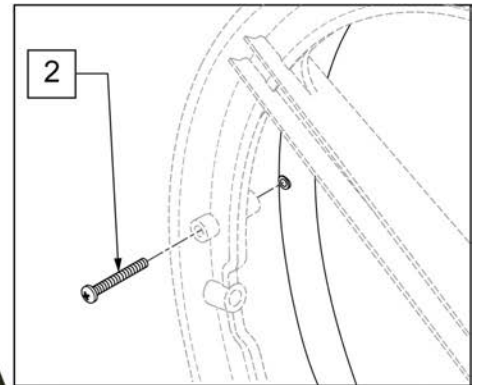
MEASURING GUIDE



Pos.	Item Number	Description
1		handrim no longer available
2	580301	HR TAB COVER BLK
3	281110	10-32 X 1/2 PAN PHIL
4	200100-QU	10-32 NYLOCK NUT



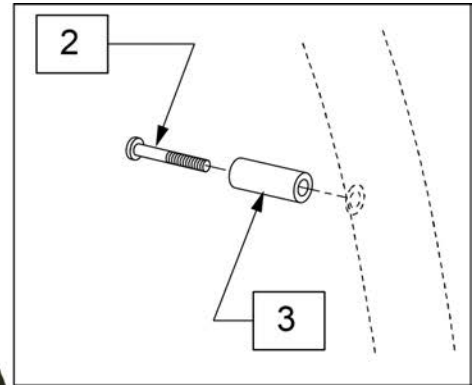
Pos.	Item Number	Description
1,2	426020	24IN HR 6SMT COMPOSITE W/HDWR
1,2	426021	22" HR 6SMT COMPOSITE W/HDWR
1,2	426022	20" HR 6SMT COMPOSITE W/HDWR
2	220100	#10 X 2 1/4" SELF TAPPNG SCREW



Pos.	Item Number	Description
1,2	425016	20" SCW MT HR PNTD 6S W/HDWR
1,2	425026	22" HR 6SMT PNTD 6MAG W/HDWR
1,2	426005	24" SCW MT HR PNTD 6S W/HDWR
2	220100	#10 X 2 1/4" SELF TAPPNG SCREW

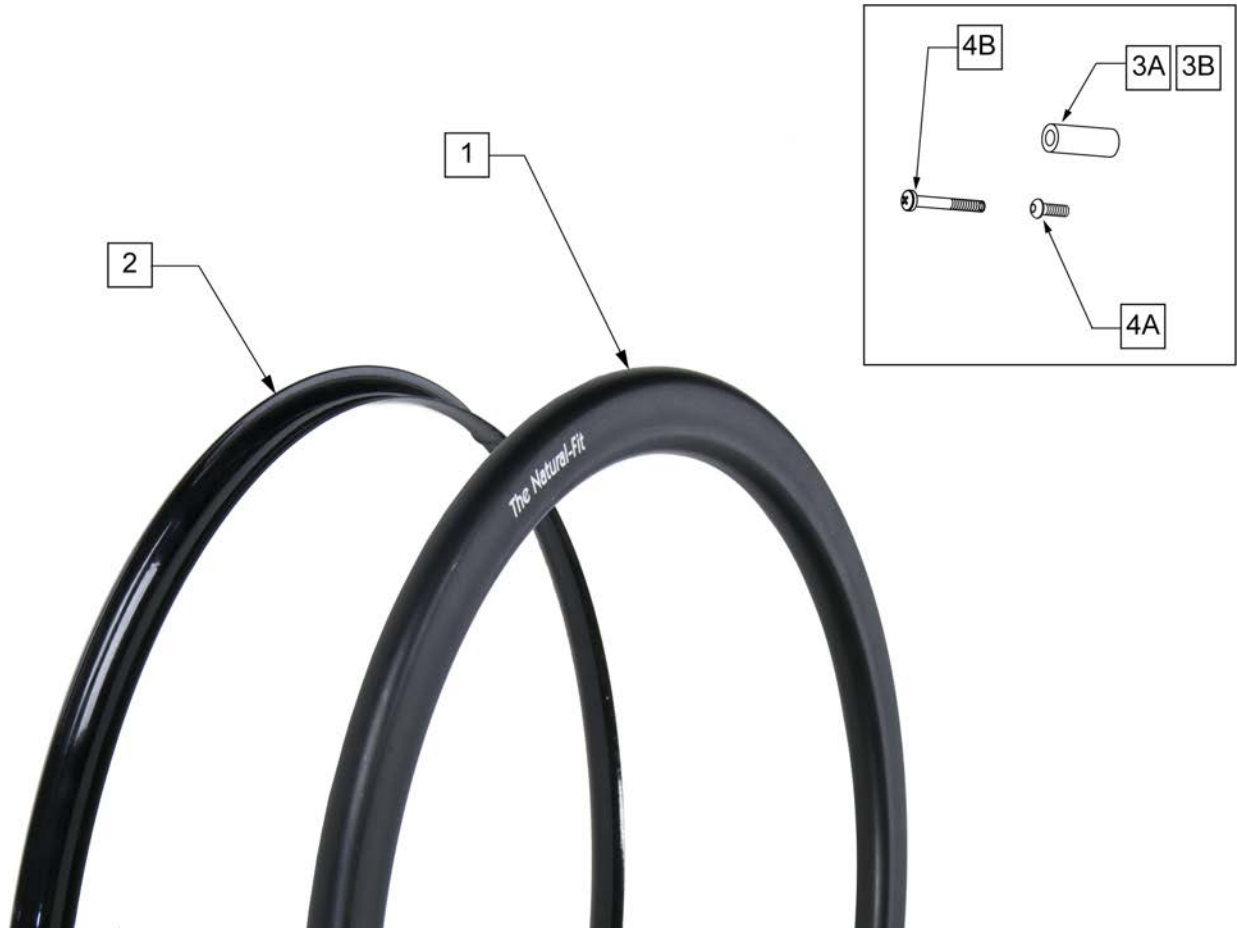


Pos.	Item Number	Description
2	129265	M5 X .8 X 60 PAN PHIL SS PL
3	101932	SPCR .194ID X .375 OD X .750
1-3	136155	20" PLSTC COATED HND RIM KIT
1-3	136154	22" PLSTC COATED HND RIM KIT
1-3	136153	24" PLSTC COATED HND RIM KIT



Pos.	Item Number	Description
2	129265	M5 X .8 X 60 PAN PHIL SS PL
3	101932	SPCR .194ID X .375 OD X .750
1-3	136156	24" ALU ANO HND RIM KIT
1-3	136157	22" ALU ANO HND RIM KIT
1-3	136158	22" ALU ANO HND RIM KIT

Note: Fits 24" 5 Spoke Wheel only.



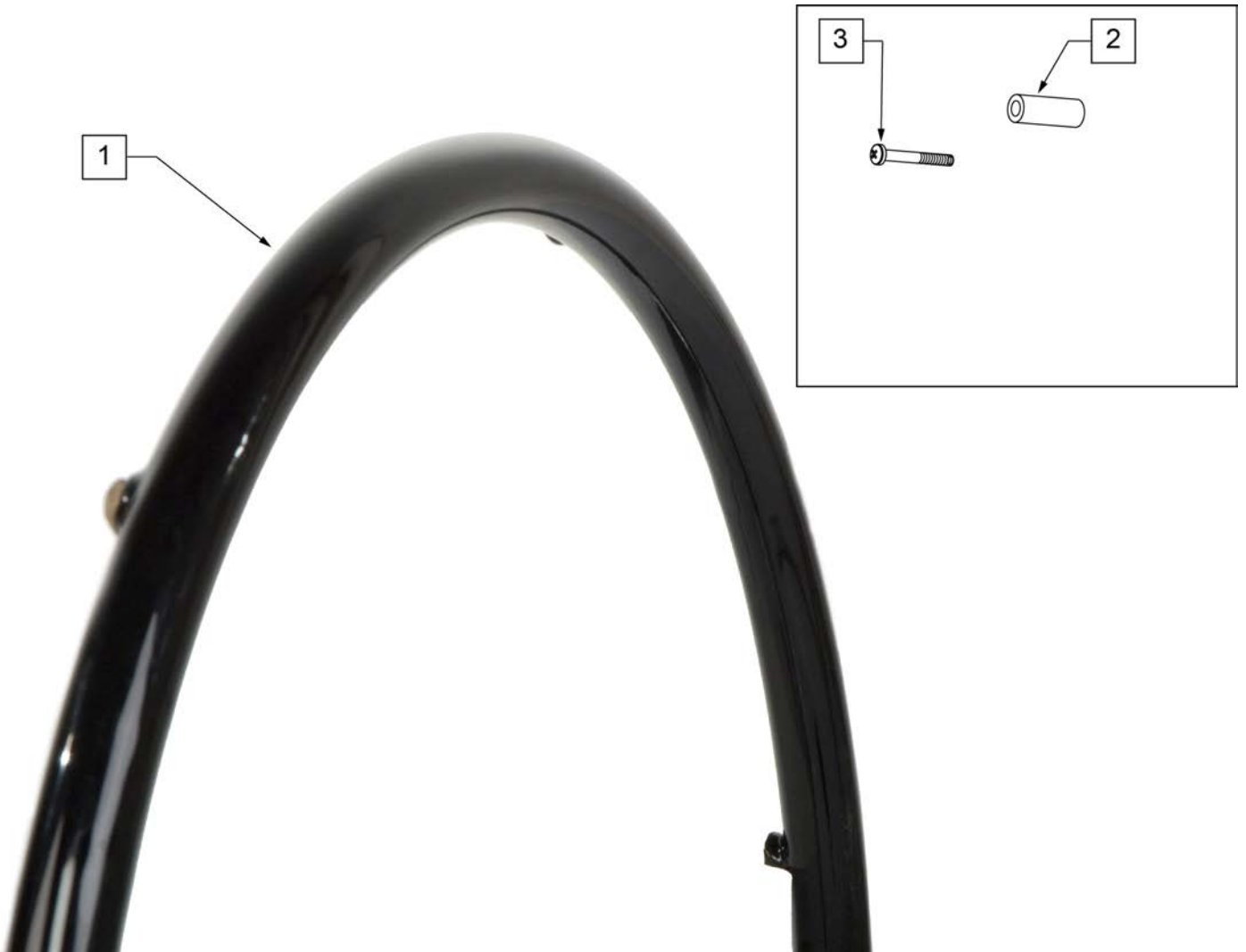
Pos.	Item Number	Description	Remarks
1A	126559	HNDRM NATURAL FIT OVAL 5 RVT	24" Standarad
1B	126558	HNDRM NAT FIT LT OVAL 5 RVT	24" Light
2	102168-003	GUARD THUMB NAT FIT 24 PC BLK	Powder Coat
2	102168-004	GUARD THUMB NAT FIT 24 SG BLK	Super Grip
3	101931	SPCR .194ID X .43OD X 1.13LG	
4	281175	10-32 X 2 1/8 PAN PHIL SS	

Note: Handrim is Latex free.

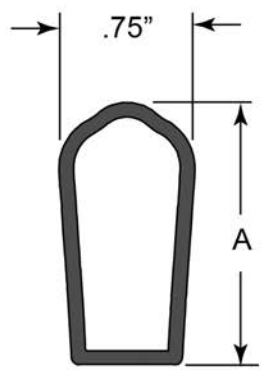
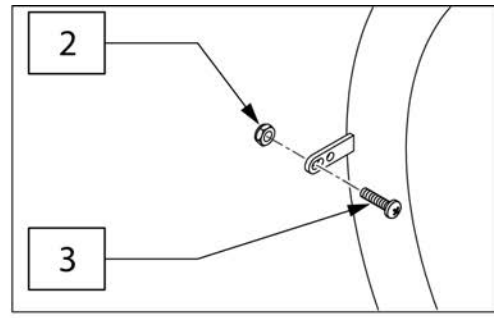
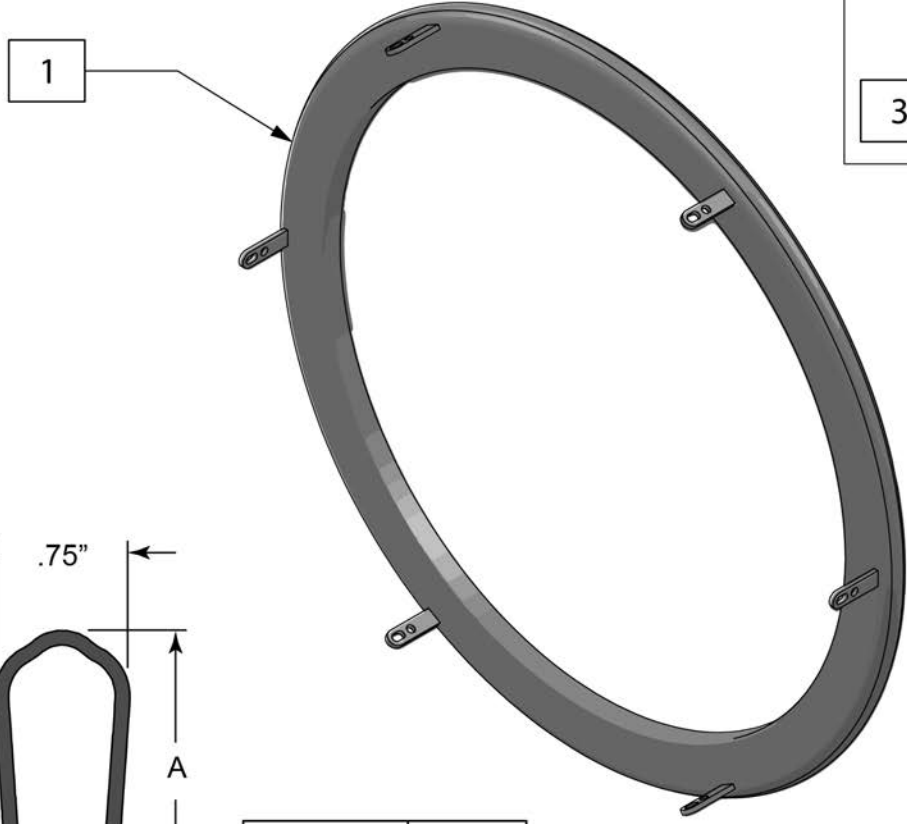


Pos.	Item Number	Description
1	131327	24IN HANDRIM 6 TAB Q-GRIP
1	131328	25IN HANDRIM 6 TAB Q-GRIP
2	281110	10-32 X 1/2 PAN PHIL
3	200100-QU	10-32 NYLOCK NUT
4	580301	HR TAB COVER BLK

Note: Handrim is Latex free.



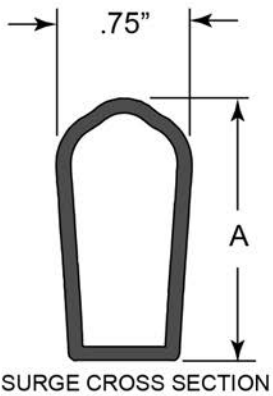
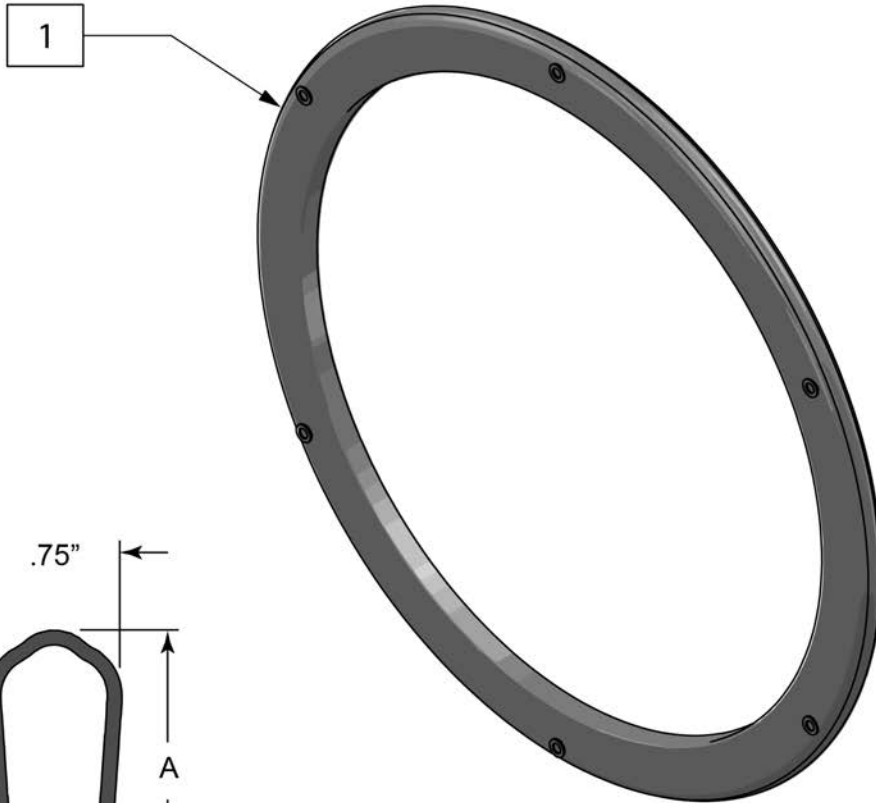
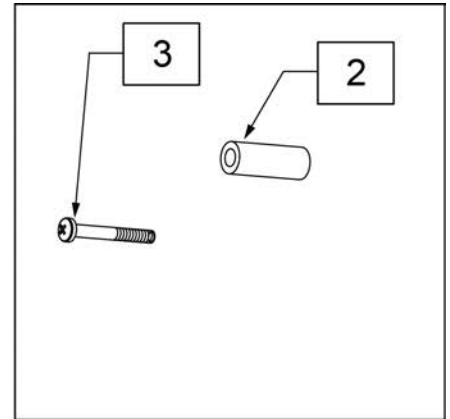
Pos.	Item Number	Description
1	131329	24IN HANDRIM 6 RIVNUT Q-GRIP
1	131330	25IN HANDRIM 6 RIVNUT Q-GRIP
2	107267	HAND RIM SPACER REG THIN
3	108256	PAN HD PHIL M5 X 0.8



SURGE CROSS SECTION

	DIM "A"
STANDARD	1.75"
LITE	1.25"

Pos.	Item Number	Description
1	119568	22IN HANDRIM 6 TAB SURGE
1	119569	24IN HANDRIM 6 TAB SURGE
1	119570	25IN HANDRIM 6 TAB SURGE
1	119571	26IN HANDRIM 6 TAB SURGE
1	119577	22IN HANDRIM LT 6 TAB SURGE
1	119578	24IN HANDRIM LT 6 TAB SURGE
1	119579	25IN HANDRIM LT 6 TAB SURGE
1	119580	26IN HANDRIM LT 6 TAB SURGE
2	200100-QU	10-32 NYLOCK NUT
3	281110	10-32 X 1/2 PAN PHIL



	DIM "A"
STANDARD	1.75"
LITE	1.25"

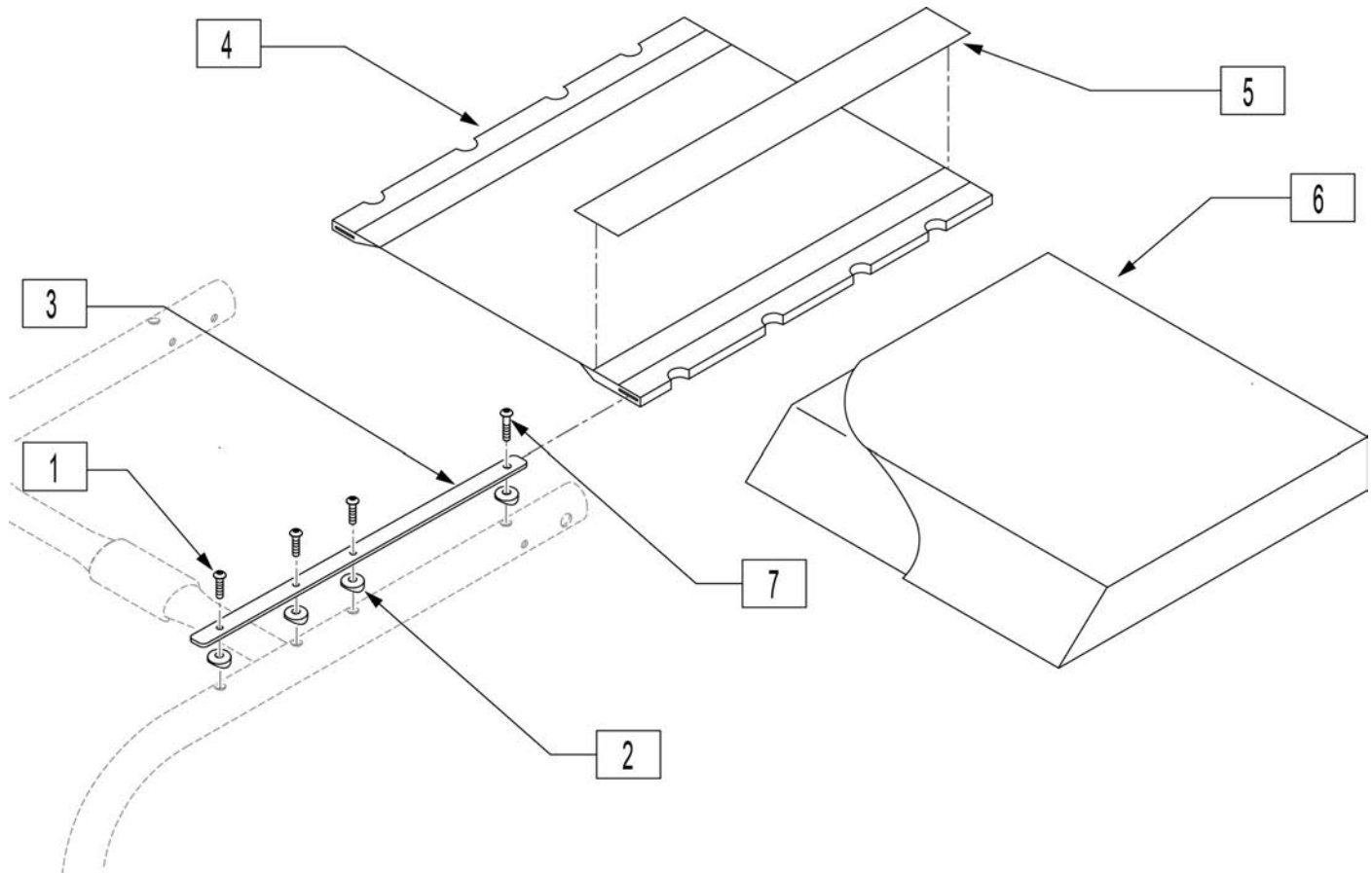
Pos.	Item Number	Description
1	119564	22IN HANDRIM 6 RIVNUT SURGE
1	119565	24IN HANDRIM 6 RIVNUT SURGE
1	119566	25IN HANDRIM 6 RIVNUT SURGE
1	119567	26IN HANDRIM 6 RIVNUT SURGE
1	119573	22IN HANDRIM LT 6 RIVNUT SURGE
1	119574	24IN HANDRIM LT 6 RIVNUT SURGE
1	119575	25IN HANDRIM LT 6 RIVNUT SURGE
1	119576	26IN HANDRIM LT 6 RIVNUT SURGE
2	107267	HAND RIM SPACER REG THIN
3	108256	PAN HD PHIL M5 X 0.8



Pos.	Item Number	Description	Remarks
1A	Discontinued	Presta Valves Discontinued	
1A	384736	INNER TUBE 12-1/2" X 2-1/4"	
1A	384738	16" X 1.75" INNER TUBE	
1A	382255	TUBE 18" TIRE	18" X 1-3/4" TUBE
1A	382275	20" TUBE	20" 1-3/8" TUBE
1A	382300	22" TUBE	22" X 1-3/8" TUBE
1A	382336	TUBE PRIMO 24" 25-540 SV	24" X 1" TUBE
1A	382325	24 X 1.3/8IN TUBE REG	
1A	382334	TUBE INLINE 24 X 1.75	
1A	384551	26" X 1" TUBE SCHRADER	
1A	382350	26" TUBE	26" X 1-3/8" TUBE
1A	382361	TUBE 26 X 1.5/1.95/ S/V	
1A	382365	26 X 1.25/1.5 TUBE SHRADER	
1A	382375	24" x 2.125 TUBE	
1B	102972-001	12 1/2 IN AIRLESS INSERT	12-1/2" X 2-1/4"
1B	102973-001	16IN AIRLESS INSERT	16" X 1-3/4"
1B	102973-002	18IN AIRLESS INSERT	18" X 1-3/4"
1B	102973-003	20IN AIRLESS INSERT	20" X 1-3/8"
1B	102972-002	AIRLESS INSERT 20 X 2-1/8 P3	
1B	102973-004	22IN AIRLESS INSERT	22" X 1-3/8"
1B	102973-005	24IN AIRLESS INSERT	24" X 1-3/8"
1B	102972-003	AIRLESS INSERT 24 X 2-1/8	
1B	108259	26" AIRLESS INSERT	26" X 1-3/8"

Note: There is a 1" gap between the rear of the seat sling and the front edge of the backpost, for this reason all Standard Seat Slings and Seat Rails should be ordered 1" less than the chair depth.

Note: If changing from a Ultra Lite seat sling to a standard seat sling a new frame must be ordered, as frame does not have necessary mounting locations.



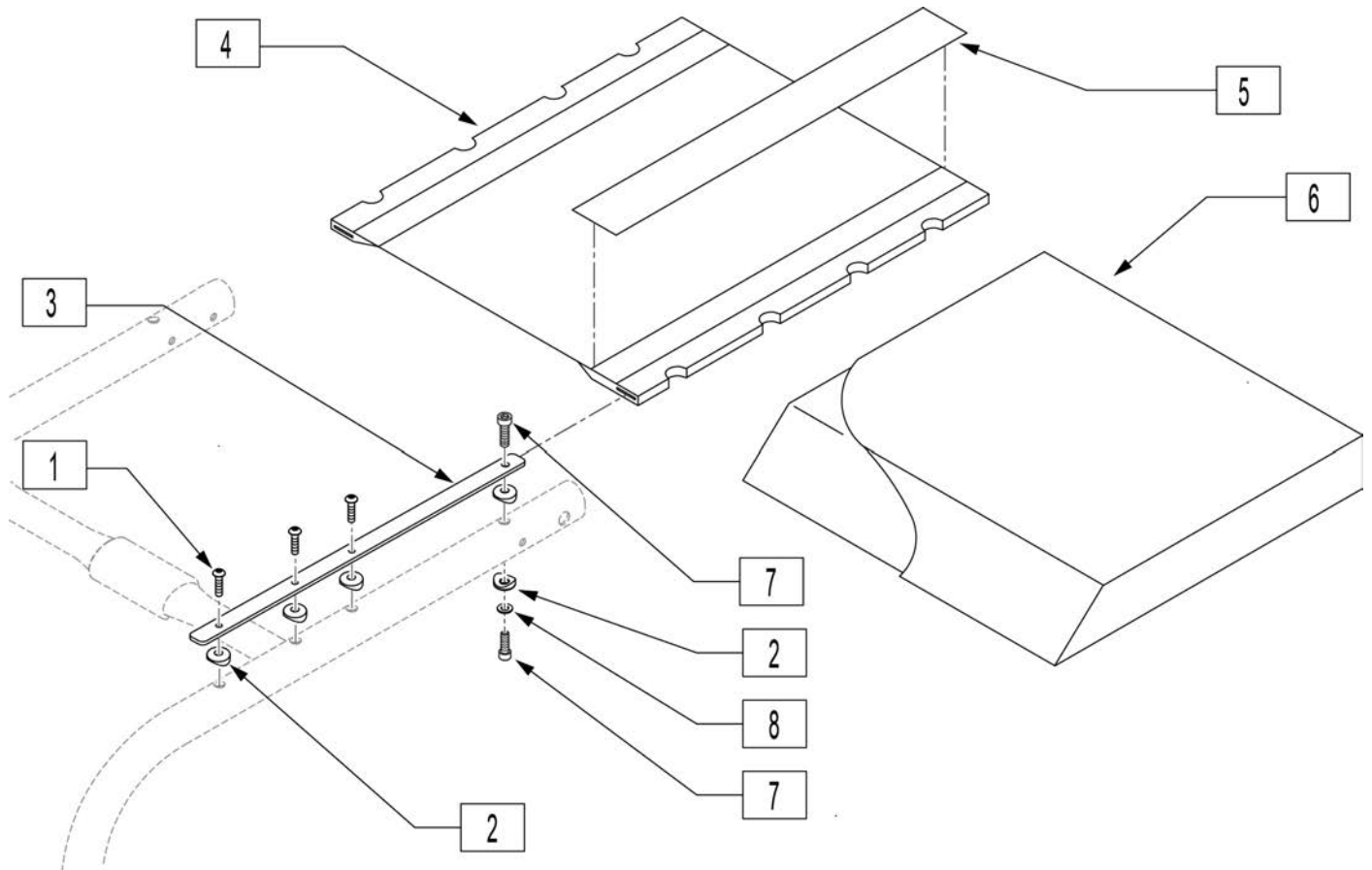
Pos.	Item Number	Description	Remarks	Pos.	Item Number	Description	Remarks
1	102259-002	BHCS, M5 X 20		4	109470	SEAT SLING, STD, 12 x 15	for 12"x16"
2	482000	SADDLE, SMALL		4	109471	SEAT SLING, STD, 12 x 16	for 12"x17"
3	110217	SEAT RAIL, LITE WEIGHT, 11"	For 12" depth	4	109472	SEAT SLING, STD, 12 x 17	for 12"x18"
3	110218	SEAT RAIL, LITE WEIGHT, 12"	For 13" depth	4	109473	SEAT SLING, STD, 12 x 18	for 12"x19"
3	110219	SEAT RAIL, LITE WEIGHT, 13"	For 14" depth	4	109474	SEAT SLING, STD, 13 x 11	for 13"x12"
3	110220	SEAT RAIL, LITE WEIGHT, 14"	For 15" depth	4	109475	SEAT SLING, STD, 13 x 12	for 13"x13"
3	110221	SEAT RAIL, LITE WEIGHT, 15"	For 16" depth	4	109476	SEAT SLING, STD, 13 x 13	for 13"x14"
3	110222	SEAT RAIL, LITE WEIGHT, 16"	For 17" depth	4	109477	SEAT SLING, STD, 13 x 14	for 13"x15"
3	110223	SEAT RAIL, LITE WEIGHT, 17"	For 18" depth	4	109478	SEAT SLING, STD, 13 x 15	for 13"x16"
3	110224	SEAT RAIL, LITE WEIGHT, 18"	For 19" depth	4	109479	SEAT SLING, STD, 13 x 16	for 13"x17"
3	110225	SEAT RAIL, LITE WEIGHT, 19"	For 20" depth	4	109480	SEAT SLING, STD, 13 x 17	for 13"x18"
4	109466	SEAT SLING, STD, 12 x 11	for 12"x12'	4	109481	SEAT SLING, STD, 13 x 18	for 13"x19"
4	109467	SEAT SLING, STD, 12 x 12	for 12"x13"	4	109482	SEAT SLING, STD, 14 x 11	for 14"x12"
4	109468	SEAT SLING, STD, 12 x 13	for 12"x14"	4	109483	SEAT SLING, STD, 14 x 12	for 14"x13"
4	109469	SEAT SLING, STD, 12 x 14	for 12"x15"	4	109484	SEAT SLING, STD, 14 x 13	for 14"x14"

Pos.	Item Number	Description	Remarks	Pos.	Item Number	Description	Remarks
4	109485	SEAT SLING, STD, 14 x 14	for 14"x15"	4	109542	SEAT SLING, STD, 20 x 17	for 20"x18"
4	109486	SEAT SLING, STD, 14 x 15	for 14"x16"	4	109543	SEAT SLING, STD, 20 x 18	for 20"x19"
4	109487	SEAT SLING, STD, 14 x 16	for 14"x17"	4	109544	SEAT SLING, STD, 20 x 19	for 20"x20"
4	109488	SEAT SLING, STD, 14 x 17	for 14"x18"	5	901169	SEAT SLING VELCRO STRIP ® 2"	
4	109489	SEAT SLING, STD, 14 x 18	for 14"x19"	6	700122	SEAT CUSHION 12" x 12" x 2"	
4	109490	SEAT SLING, STD, 14 x 19	for 14"x20"	6	700132	SEAT CUSHION 12" x 13" x 2"	
4	109491	SEAT SLING, STD, 15 x 11	for 15"x12"	6	700142	SEAT CUSHION 12" x 14" x 2"	
4	109492	SEAT SLING, STD, 15 x 12	for 15"x13"	6	700152	SEAT CUSHION 12" x 15" x 2"	
4	109493	SEAT SLING, STD, 15 x 13	for 15"x14"	6	700162	SEAT CUSHION 12" x 16" x 2"	
4	109494	SEAT SLING, STD, 15 x 14	for 15"x15"	6	700172	SEAT CUSHION 12" x 17" x 2"	
4	109495	SEAT SLING, STD, 15 x 15	for 15"x16"	6	700182	SEAT CUSHION 12" x 18" x 2"	
4	109496	SEAT SLING, STD, 15 x 16	for 15"x17"	6	700192	SEAT CUSHION 12" x 19" x 2"	
4	109497	SEAT SLING, STD, 15 x 17	for 15"x18"	6	700222	SEAT CUSHION 13" x 12" x 2"	
4	109498	SEAT SLING, STD, 15 x 18	for 15"x19"	6	700232	SEAT CUSHION 13" x 13" x 2"	
4	109499	SEAT SLING, STD, 15 x 19	for 15"x20"	6	700242	SEAT CUSHION 13" x 14" x 2"	
4	109500	SEAT SLING, STD, 16 x 11	for 16"x12"	6	700252	SEAT CUSHION 13" x 15" x 2"	
4	109501	SEAT SLING, STD, 16 x 12	for 16"x13"	6	700262	SEAT CUSHION 13" x 16" x 2"	
4	109502	SEAT SLING, STD, 16 x 13	for 16"x14"	6	700272	SEAT CUSHION 13" x 17" x 2"	
4	109503	SEAT SLING, STD, 16 x 14	for 16"x15"	6	700277	SEAT CUSHION 13" x 18" x 2"	
4	109504	SEAT SLING, STD, 16 x 15	for 16"x16"	6	700267	SEAT CUSHION 13" x 19" x 2"	
4	109505	SEAT SLING, STD, 16 x 16	for 16"x17"	6	700302	SEAT CUSHION 14" x 12" x 2"	
4	109506	SEAT SLING, STD, 16 x 17	for 16"x18"	6	700312	SEAT CUSHION 14" x 13" x 2"	
4	109507	SEAT SLING, STD, 16 x 18	for 16"x19"	6	700322	SEAT CUSHION 14" x 14" x 2"	
4	109508	SEAT SLING, STD, 16 x 19	for 16"x20"	6	700332	SEAT CUSHION 14" x 15" x 2"	
4	109509	SEAT SLING, STD, 17 x 11	for 17"x12"	6	700342	SEAT CUSHION 14" x 16" x 2"	
4	109510	SEAT SLING, STD, 17 x 12	for 17"x13"	6	700352	SEAT CUSHION 14" x 17" x 2"	
4	109511	SEAT SLING, STD, 17 x 13	for 17"x14"	6	700362	SEAT CUSHION 14" x 18" x 2"	
4	109512	SEAT SLING, STD, 17 x 14	for 17"x15"	6	700372	SEAT CUSHION 14" x 19" x 2"	
4	109513	SEAT SLING, STD, 17 x 15	for 17"x16"	6	700382	SEAT CUSHION 14" x 20" x 2"	
4	109514	SEAT SLING, STD, 17 x 16	for 17"x17"	6	700402	SEAT CUSHION 15" x 12" x 2"	
4	109515	SEAT SLING, STD, 17 x 17	for 17"x18"	6	700412	SEAT CUSHION 15" x 13" x 2"	
4	109516	SEAT SLING, STD, 17 x 18	for 17"x19"	6	700422	SEAT CUSHION 15" x 14" x 2"	
4	109517	SEAT SLING, STD, 17 x 19	for 17"x20"	6	700432	SEAT CUSHION 15" x 15" x 2"	
4	109518	SEAT SLING, STD, 18 x 11	for 18"x12"	6	700442	SEAT CUSHION 15" x 16" x 2"	
4	109519	SEAT SLING, STD, 18 x 12	for 18"x13"	6	700452	SEAT CUSHION 15" x 17" x 2"	
4	109520	SEAT SLING, STD, 18 x 13	for 18"x14"	6	700462	SEAT CUSHION 15" x 18" x 2"	
4	109521	SEAT SLING, STD, 18 x 14	for 18"x15"	6	700472	SEAT CUSHION 15" x 19" x 2"	
4	109522	SEAT SLING, STD, 18 x 15	for 18"x16"	6	700482	SEAT CUSHION 15" x 20" x 2"	
4	109523	SEAT SLING, STD, 18 x 16	for 18"x17"	6	700502	SEAT CUSHION 16" x 12" x 2"	
4	109524	SEAT SLING, STD, 18 x 17	for 18"x18"	6	700512	SEAT CUSHION 16" x 13" x 2"	
4	109525	SEAT SLING, STD, 18 x 18	for 18"x19"	6	700522	SEAT CUSHION 16" x 14" x 2"	
4	109526	SEAT SLING, STD, 18 x 19	for 18"x20"	6	700532	SEAT CUSHION 16" x 15" x 2"	
4	109527	SEAT SLING, STD, 19 x 11	for 19"x12"	6	700542	SEAT CUSHION 16" x 16" x 2"	
4	109528	SEAT SLING, STD, 19 x 12	for 19"x13"	6	700552	SEAT CUSHION 16" x 17" x 2"	
4	109529	SEAT SLING, STD, 19 x 13	for 19"x14"	6	700562	SEAT CUSHION 16" x 18" x 2"	
4	109530	SEAT SLING, STD, 19 x 14	for 19"x15"	6	700572	SEAT CUSHION 16" x 19" x 2"	
4	109531	SEAT SLING, STD, 19 x 15	for 19"x16"	6	700582	SEAT CUSHION 16" x 20" x 2"	
4	109532	SEAT SLING, STD, 19 x 16	for 19"x17"	6	700606	SEAT CUSHION 17" x 12" x 2"	
4	109533	SEAT SLING, STD, 19 x 17	for 19"x18"	6	700597	SEAT CUSHION 17" x 13" x 2"	
4	109534	SEAT SLING, STD, 19 x 18	for 19"x19"	6	700602	SEAT CUSHION 17" x 14" x 2"	
4	109535	SEAT SLING, STD, 19 x 19	for 19"x20"	6	700612	SEAT CUSHION 17" x 15" x 2"	
4	109536	SEAT SLING, STD, 20 x 11	for 20"x12"	6	700622	SEAT CUSHION 17" x 16" x 2"	
4	109537	SEAT SLING, STD, 20 x 12	for 20"x13"	6	700632	SEAT CUSHION 17" x 17" x 2"	
4	109538	SEAT SLING, STD, 20 x 13	for 20"x14"	6	700642	SEAT CUSHION 17" x 18" x 2"	
4	109539	SEAT SLING, STD, 20 x 14	for 20"x15"	6	700652	SEAT CUSHION 17" x 19" x 2"	
4	109540	SEAT SLING, STD, 20 x 15	for 20"x16"	6	700662	SEAT CUSHION 17" x 20" x 2"	
4	109541	SEAT SLING, STD, 20 x 16	for 20"x17"	6	700682	SEAT CUSHION 18" x 12" x 2"	

Pos.	Item Number	Description	Remarks	Pos.	Item Number	Description	Remarks
6	700692	SEAT CUSHION 18" x 13" x 2"		6	700902	SEAT CUSHION 20" x 14" x 2"	
6	700702	SEAT CUSHION 18" x 14" x 2"		6	700912	SEAT CUSHION 20" x 15" x 2"	
6	700712	SEAT CUSHION 18" x 15" x 2"		6	700922	SEAT CUSHION 20" x 16" x 2"	
6	700722	SEAT CUSHION 18" x 16" x 2"		6	700932	SEAT CUSHION 20" x 17" x 2"	
6	700732	SEAT CUSHION 18" x 17" x 2"		6	700942	SEAT CUSHION 20" x 18" x 2"	
6	700742	SEAT CUSHION 18" x 18" x 2"		6	700952	SEAT CUSHION 20" x 19" x 2"	
6	700752	SEAT CUSHION 18" x 19" x 2"		6	700962	SEAT CUSHION 20" x 20" x 2"	
6	700762	SEAT CUSHION 18" x 20" x 2"		7	122916	BHCS M5 X 0.8 X 50 PART NP	
6	700782	SEAT CUSHION 19" x 12" x 2"		1-3,7	114442	SEAT RAIL LITE 11" KIT (PR)	Pair
6	700792	SEAT CUSHION 19" x 13" x 2"		1-3,7	114443	SEAT RAIL LITE 12" KIT (PR)	Pair
6	700802	SEAT CUSHION 19" x 14" x 2"		1-3,7	114444	SEAT RAIL LITE 13" KIT (PR)	Pair
6	700812	SEAT CUSHION 19" x 15" x 2"		1-3,7	114445	SEAT RAIL LITE 14" KIT (PR)	Pair
6	700822	SEAT CUSHION 19" x 16" x 2"		1-3,7	114446	SEAT RAIL LITE 15" KIT (PR)	Pair
6	700832	SEAT CUSHION 19" x 17" x 2"		1-3,7	114447	SEAT RAIL LITE 16" KIT (PR)	Pair
6	700842	SEAT CUSHION 19" x 18" x 2"		1-3,7	114448	SEAT RAIL LITE 17" KIT (PR)	Pair
6	700852	SEAT CUSHION 19" x 19" x 2"		1-3,7	114449	SEAT RAIL LITE 18" KIT (PR)	Pair
6	700862	SEAT CUSHION 19" x 20" x 2"		1-3,7	114450	SEAT RAIL LITE 19" KIT (PR)	Pair
6	700882	SEAT CUSHION 20" x 12" x 2"		1,2,7	114522	SEAT SLING HDWR KIT (10)	
6	700892	SEAT CUSHION 20" x 13" x 2"					

Note: There is a 1" gap between the rear of the seat sling and the front edge of the backpost, for this reason all Standard Seat Slings and Seat Rails should be ordered 1" less than the chair depth.

Note: If changing from a Ultra Lite seat sling to a standard seat sling a new frame must be ordered, as frame does not have necessary mounting locations.



Pos.	Item Number	Description	Remarks
1	102259-002	BHCS, M5 X 20	
2	482000	SADDLE, SMALL	
3	128206	SEAT RAIL LITE WEIGHT 11"	For 12" depth
3	128207	SEAT RAIL LITE WEIGHT 12"	For 13" depth
3	128208	SEAT RAIL LITE WEIGHT 13"	For 14" depth
3	128209	SEAT RAIL LITE WEIGHT 14"	For 15" depth
3	128210	SEAT RAIL LITE WEIGHT 15"	For 16" depth
3	128211	SEAT RAIL LITE WEIGHT 16"	For 17" depth
3	128212	SEAT RAIL LITE WEIGHT 17"	For 18" depth
3	128213	SEAT RAIL LITE WEIGHT 18"	For 19" depth
3	128214	SEAT RAIL LITE WEIGHT 19"	For 20" depth
4	109466	SEAT SLING, STD, 12 x 11	for 12"x12"
4	109467	SEAT SLING, STD, 12 x 12	for 12"x13"
4	109468	SEAT SLING, STD, 12 x 13	for 12"x14"
4	109469	SEAT SLING, STD, 12 x 14	for 12"x15"

Pos.	Item Number	Description	Remarks
4	109470	SEAT SLING, STD, 12 x 15	for 12"x16"
4	109471	SEAT SLING, STD, 12 x 16	for 12"x17"
4	109472	SEAT SLING, STD, 12 x 17	for 12"x18"
4	109473	SEAT SLING, STD, 12 x 18	for 12"x19"
4	109474	SEAT SLING, STD, 13 x 11	for 13"x12"
4	109475	SEAT SLING, STD, 13 x 12	for 13"x13"
4	109476	SEAT SLING, STD, 13 x 13	for 13"x14"
4	109477	SEAT SLING, STD, 13 x 14	for 13"x15"
4	109478	SEAT SLING, STD, 13 x 15	for 13"x16"
4	109479	SEAT SLING, STD, 13 x 16	for 13"x17"
4	109480	SEAT SLING, STD, 13 x 17	for 13"x18"
4	109481	SEAT SLING, STD, 13 x 18	for 13"x19"
4	109482	SEAT SLING, STD, 14 x 11	for 14"x12"
4	109483	SEAT SLING, STD, 14 x 12	for 14"x13"
4	109484	SEAT SLING, STD, 14 x 13	for 14"x14"
4	109485	SEAT SLING, STD, 14 x 14	for 14"x15"
4	109486	SEAT SLING, STD, 14 x 15	for 14"x16"
4	109487	SEAT SLING, STD, 14 x 16	for 14"x17"
4	109488	SEAT SLING, STD, 14 x 17	for 14"x18"
4	109489	SEAT SLING, STD, 14 x 18	for 14"x19"
4	109490	SEAT SLING, STD, 14 x 19	for 14"x20"
4	109491	SEAT SLING, STD, 15 x 11	for 15"x12"
4	109492	SEAT SLING, STD, 15 x 12	for 15"x13"
4	109493	SEAT SLING, STD, 15 x 13	for 15"x14"
4	109494	SEAT SLING, STD, 15 x 14	for 15"x15"
4	109495	SEAT SLING, STD, 15 x 15	for 15"x16"
4	109496	SEAT SLING, STD, 15 x 16	for 15"x17"
4	109497	SEAT SLING, STD, 15 x 17	for 15"x18"
4	109498	SEAT SLING, STD, 15 x 18	for 15"x19"
4	109499	SEAT SLING, STD, 15 x 19	for 15"x20"
4	109500	SEAT SLING, STD, 16 x 11	for 16"x12"
4	109501	SEAT SLING, STD, 16 x 12	for 16"x13"
4	109502	SEAT SLING, STD, 16 x 13	for 16"x14"
4	109503	SEAT SLING, STD, 16 x 14	for 16"x15"
4	109504	SEAT SLING, STD, 16 x 15	for 16"x16"
4	109505	SEAT SLING, STD, 16 x 16	for 16"x17"
4	109506	SEAT SLING, STD, 16 x 17	for 16"x18"
4	109507	SEAT SLING, STD, 16 x 18	for 16"x19"
4	109508	SEAT SLING, STD, 16 x 19	for 16"x20"
4	109509	SEAT SLING, STD, 17 x 11	for 17"x12"
4	109510	SEAT SLING, STD, 17 x 12	for 17"x13"
4	109511	SEAT SLING, STD, 17 x 13	for 17"x14"
4	109512	SEAT SLING, STD, 17 x 14	for 17"x15"
4	109513	SEAT SLING, STD, 17 x 15	for 17"x16"
4	109514	SEAT SLING, STD, 17 x 16	for 17"x17"
4	109515	SEAT SLING, STD, 17 x 17	for 17"x18"
4	109516	SEAT SLING, STD, 17 x 18	for 17"x19"
4	109517	SEAT SLING, STD, 17 x 19	for 17"x20"
4	109518	SEAT SLING, STD, 18 x 11	for 18"x12"
4	109519	SEAT SLING, STD, 18 x 12	for 18"x13"
4	109520	SEAT SLING, STD, 18 x 13	for 18"x14"
4	109521	SEAT SLING, STD, 18 x 14	for 18"x15"
4	109522	SEAT SLING, STD, 18 x 15	for 18"x16"
4	109523	SEAT SLING, STD, 18 x 16	for 18"x17"
4	109524	SEAT SLING, STD, 18 x 17	for 18"x18"
4	109525	SEAT SLING, STD, 18 x 18	for 18"x19"
4	109526	SEAT SLING, STD, 18 x 19	for 18"x20"

Pos.	Item Number	Description	Remarks
4	109527	SEAT SLING, STD, 19 x 11	for 19"x12"
4	109528	SEAT SLING, STD, 19 x 12	for 19"x13"
4	109529	SEAT SLING, STD, 19 x 13	for 19"x14"
4	109530	SEAT SLING, STD, 19 x 14	for 19"x15"
4	109531	SEAT SLING, STD, 19 x 15	for 19"x16"
4	109532	SEAT SLING, STD, 19 x 16	for 19"x17"
4	109533	SEAT SLING, STD, 19 x 17	for 19"x18"
4	109534	SEAT SLING, STD, 19 x 18	for 19"x19"
4	109535	SEAT SLING, STD, 19 x 19	for 19"x20"
4	109536	SEAT SLING, STD, 20 x 11	for 20"x12"
4	109537	SEAT SLING, STD, 20 x 12	for 20"x13"
4	109538	SEAT SLING, STD, 20 x 13	for 20"x14"
4	109539	SEAT SLING, STD, 20 x 14	for 20"x15"
4	109540	SEAT SLING, STD, 20 x 15	for 20"x16"
4	109541	SEAT SLING, STD, 20 x 16	for 20"x17"
4	109542	SEAT SLING, STD, 20 x 17	for 20"x18"
4	109543	SEAT SLING, STD, 20 x 18	for 20"x19"
4	109544	SEAT SLING, STD, 20 x 19	for 20"x20"
5	901169	SEAT SLING VELCRO STRIP ® 2"	
6	700122	SEAT CUSHION 12" x 12" x 2"	
6	700132	SEAT CUSHION 12" x 13" x 2"	
6	700142	SEAT CUSHION 12" x 14" x 2"	
6	700152	SEAT CUSHION 12" x 15" x 2"	
6	700162	SEAT CUSHION 12" x 16" x 2"	
6	700172	SEAT CUSHION 12" x 17" x 2"	
6	700182	SEAT CUSHION 12" x 18" x 2"	
6	700192	SEAT CUSHION 12" x 19" x 2"	
6	700222	SEAT CUSHION 13" x 12" x 2"	
6	700232	SEAT CUSHION 13" x 13" x 2"	
6	700242	SEAT CUSHION 13" x 14" x 2"	
6	700252	SEAT CUSHION 13" x 15" x 2"	
6	700262	SEAT CUSHION 13" x 16" x 2"	
6	700272	SEAT CUSHION 13" x 17" x 2"	
6	700277	SEAT CUSHION 13" x 18" x 2"	
6	700267	SEAT CUSHION 13" x 19" x 2"	
6	700302	SEAT CUSHION 14" x 12" x 2"	
6	700312	SEAT CUSHION 14" x 13" x 2"	
6	700322	SEAT CUSHION 14" x 14" x 2"	
6	700332	SEAT CUSHION 14" x 15" x 2"	
6	700342	SEAT CUSHION 14" x 16" x 2"	
6	700352	SEAT CUSHION 14" x 17" x 2"	
6	700362	SEAT CUSHION 14" x 18" x 2"	
6	700372	SEAT CUSHION 14" x 19" x 2"	
6	700382	SEAT CUSHION 14" x 20" x 2"	
6	700402	SEAT CUSHION 15" x 12" x 2"	
6	700412	SEAT CUSHION 15" x 13" x 2"	
6	700422	SEAT CUSHION 15" x 14" x 2"	
6	700432	SEAT CUSHION 15" x 15" x 2"	
6	700442	SEAT CUSHION 15" x 16" x 2"	
6	700452	SEAT CUSHION 15" x 17" x 2"	
6	700462	SEAT CUSHION 15" x 18" x 2"	
6	700472	SEAT CUSHION 15" x 19" x 2"	
6	700482	SEAT CUSHION 15" x 20" x 2"	
6	700502	SEAT CUSHION 16" x 12" x 2"	
6	700512	SEAT CUSHION 16" x 13" x 2"	
6	700522	SEAT CUSHION 16" x 14" x 2"	
6	700532	SEAT CUSHION 16" x 15" x 2"	

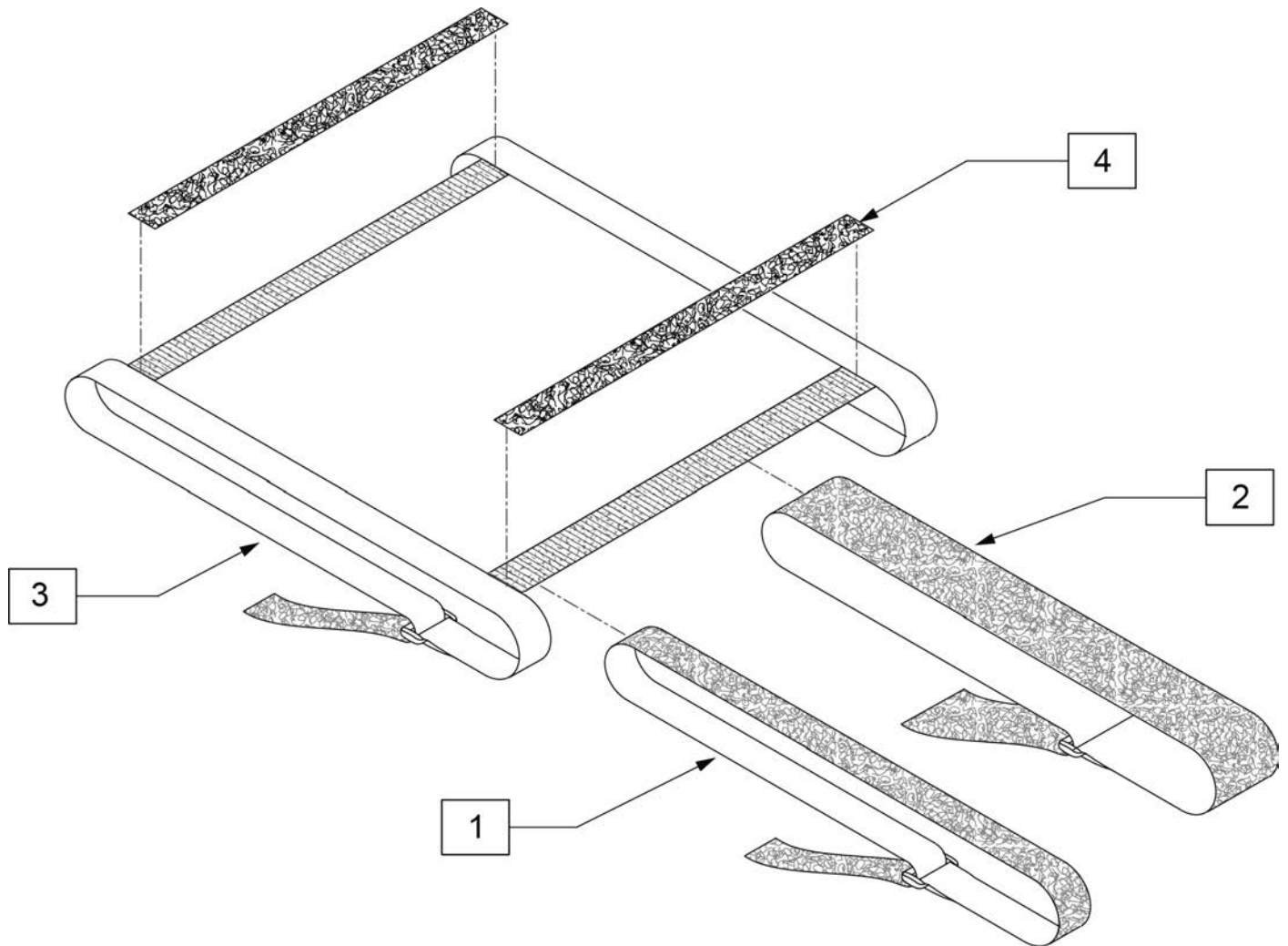
Pos.	Item Number	Description	Remarks
6	700542	SEAT CUSHION 16" x 16" x 2"	
6	700552	SEAT CUSHION 16" x 17" x 2"	
6	700562	SEAT CUSHION 16" x 18" x 2"	
6	700572	SEAT CUSHION 16" x 19" x 2"	
6	700582	SEAT CUSHION 16" x 20" x 2"	
6	700606	SEAT CUSHION 17" x 12" x 2"	
6	700597	SEAT CUSHION 17" x 13" x 2"	
6	700602	SEAT CUSHION 17" x 14" x 2"	
6	700612	SEAT CUSHION 17" x 15" x 2"	
6	700622	SEAT CUSHION 17" x 16" x 2"	
6	700632	SEAT CUSHION 17" x 17" x 2"	
6	700642	SEAT CUSHION 17" x 18" x 2"	
6	700652	SEAT CUSHION 17" x 19" x 2"	
6	700662	SEAT CUSHION 17" x 20" x 2"	
6	700682	SEAT CUSHION 18" x 12" x 2"	
6	700692	SEAT CUSHION 18" x 13" x 2"	
6	700702	SEAT CUSHION 18" x 14" x 2"	
6	700712	SEAT CUSHION 18" x 15" x 2"	
6	700722	SEAT CUSHION 18" x 16" x 2"	
6	700732	SEAT CUSHION 18" x 17" x 2"	
6	700742	SEAT CUSHION 18" x 18" x 2"	
6	700752	SEAT CUSHION 18" x 19" x 2"	
6	700762	SEAT CUSHION 18" x 20" x 2"	
6	700782	SEAT CUSHION 19" x 12" x 2"	
6	700792	SEAT CUSHION 19" x 13" x 2"	
6	700802	SEAT CUSHION 19" x 14" x 2"	
6	700812	SEAT CUSHION 19" x 15" x 2"	
6	700822	SEAT CUSHION 19" x 16" x 2"	
6	700832	SEAT CUSHION 19" x 17" x 2"	
6	700842	SEAT CUSHION 19" x 18" x 2"	
6	700852	SEAT CUSHION 19" x 19" x 2"	
6	700862	SEAT CUSHION 19" x 20" x 2"	
6	700882	SEAT CUSHION 20" x 12" x 2"	
6	700892	SEAT CUSHION 20" x 13" x 2"	
6	700902	SEAT CUSHION 20" x 14" x 2"	
6	700912	SEAT CUSHION 20" x 15" x 2"	
6	700922	SEAT CUSHION 20" x 16" x 2"	
6	700932	SEAT CUSHION 20" x 17" x 2"	
6	700942	SEAT CUSHION 20" x 18" x 2"	
6	700952	SEAT CUSHION 20" x 19" x 2"	
6	700962	SEAT CUSHION 20" x 20" x 2"	
7	102263-005	SHCS, M6X1X20, FULL, PL	
8	250104	WASHER FLAT M6	
1-3,7,8	128327	SEAT RAIL LITE 12" KIT	Pair
1-3,7,8	128328	SEAT RAIL LITE 13" KIT	Pair
1-3,7,8	128329	SEAT RAIL LITE 14" KIT	Pair
1-3,7,8	128330	SEAT RAIL LITE 15" KIT	Pair
1-3,7,8	128331	SEAT RAIL LITE 16" KIT	Pair
1-3,7,8	128332	SEAT RAIL LITE 17" KIT	Pair
1-3,7,8	128333	SEAT RAIL LITE 18" KIT	Pair
1-3,7,8	128334	SEAT RAIL LITE 19" KIT	Pair
1-3,7,8	128335	SEAT RAIL LITE 20" KIT	Pair

NOTE: There is a 1" gap between the rear of the Ultra Lite Seat Sling and the front edge of the backpost, for this reason all Ultra Lite Seat Sling will measure 1" less in depth than the description indicates.

NOTE: Strap Kits contain Qty (5) 2" straps and Qty (3) 1" straps.

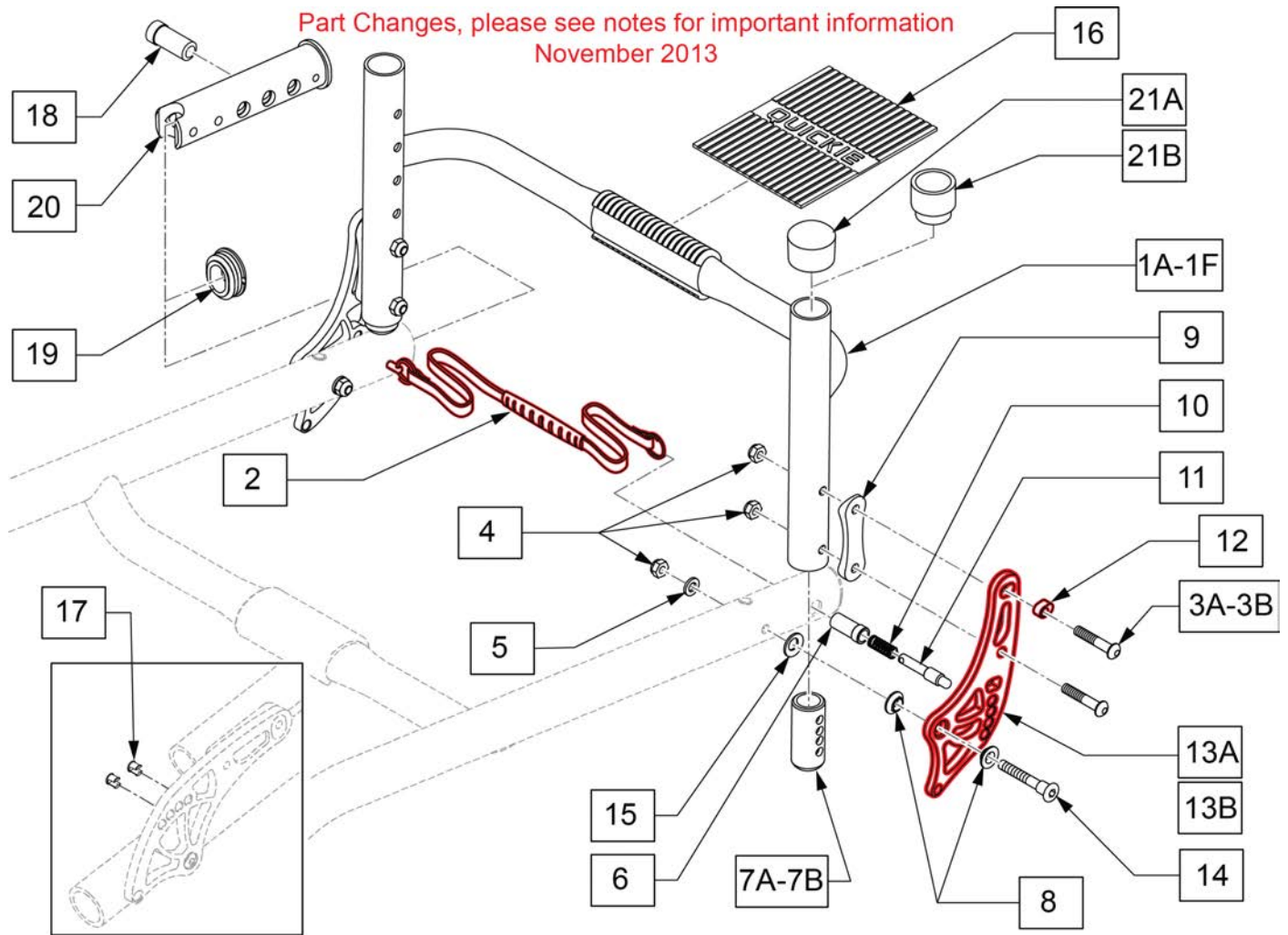
NOTE: Ultra Seat Sling only offered in 14 x 14 through 18 x 18 sizes.

NOTE: If changing from a Ultra Lite seat sling to a standard seat sling a new frame must be ordered, as frame does not have necessary mounting locations.



Pos.	Item Number	Description	Remarks
1-2	114525	SLING TEN ADJ STRAP KIT 14W KIT	See note 2
1-2	114526	SLING TEN ADJ STRAP KIT 15W KIT	See note 2

Pos.	Item Number	Description	Remarks
1-2	114527	SLING TEN ADJ STRAP KIT 16W KIT	See note 2
1-2	114528	SLING TEN ADJ STRAP KIT 17W KIT	See note 2
1-2	114529	SLING TEN ADJ STRAP KIT 18W KIT	See note 2
1-3	114552	SLING TEN ADJ LITE 14WX14D KIT	
1-3	114553	SLING TEN ADJ LITE 14WX15D KIT	
1-3	114554	SLING TEN ADJ LITE 14WX16D KIT	
1-3	114555	SLING TEN ADJ LITE 14WX17D KIT	
1-3	114556	SLING TEN ADJ LITE 14WX18D KIT	
1-3	114561	SLING TEN ADJ LITE 15WX14D KIT	
1-3	114562	SLING TEN ADJ LITE 15WX15D KIT	
1-3	114563	SLING TEN ADJ LITE 15WX16D KIT	
1-3	114564	SLING TEN ADJ LITE 15WX17D KIT	
1-3	114565	SLING TEN ADJ LITE 15WX18D KIT	
1-3	114570	SLING TEN ADJ LITE 16WX14D KIT	
1-3	114571	SLING TEN ADJ LITE 16WX15D KIT	
1-3	114572	SLING TEN ADJ LITE 16WX16D KIT	
1-3	114573	SLING TEN ADJ LITE 16WX17D KIT	
1-3	114574	SLING TEN ADJ LITE 16WX18D KIT	
1-3	114579	SLING TEN ADJ LITE 17WX14D KIT	
1-3	114580	SLING TEN ADJ LITE 17WX15D KIT	
1-3	114581	SLING TEN ADJ LITE 17WX16D KIT	
1-3	114582	SLING TEN ADJ LITE 17WX17D KIT	
1-3	114583	SLING TEN ADJ LITE 17WX18D KIT	
1-3	114588	SLING TEN ADJ LITE 18WX14D KIT	
1-3	114589	SLING TEN ADJ LITE 18WX15D KIT	
1-3	114590	SLING TEN ADJ LITE 18WX16D KIT	
1-3	114591	SLING TEN ADJ LITE 18WX17D KIT	
1-3	114592	SLING TEN ADJ LITE 18WX18D KIT	
4	901169	SEAT SLING VELCRO STRIP ® 2"	



Pos.	Item Number	Description	Remarks
2	109765	LANYARD THERMO PRESS 12W	
2	109766	LANYARD THERMO PRESS 13W	
2	109767	LANYARD THERMO PRESS 14W	
2	109768	LANYARD THERMO PRESS 15W	
2	109769	LANYARD THERMO PRESS 16W	
2	109770	LANYARD THERMO PRESS 17W	
2	109771	LANYARD THERMO PRESS 18W	
2	109772	LANYARD THERMO PRESS 19W	
2	109773	LANYARD THERMO PRESS 20W	
3A	102262-006	BHCS,M6X1X40,PART,NL	Used w/o Ht Adj Push Handles
3B	102262-007	BHCS,M6X1X45,PART,N	Used w/ Ht Adj Push Handle
4	104381	NUT NYLOCK M6 X 1	
5	250104	WASHER FLAT M6	
7A	112317	BACKREST ADJUSTER STOP 2MM	Used w/ Ht Adj Backrest
7B	112318	BACKREST ADJUSTER STOP 1MM	Used w/ Fixed Ht Backrest
8	109198	BACK BRACKET BUSHING	
9	110160	BACKREST BRACKET SADDLE	
14	109204	BACKREST BOLT	
15	010963	SPRING BELLEVILLE 8MM	Special concave washer
16	112311	GRIP TOWEL BAR QUICKIE	

Pos.	Item Number	Description	Remarks
17	109822	BACKREST ADJ DELETE PLUG	PKG of 8
18	109730	PIN GUIDE BACKREST FIXED	See Note
19	110161	FRAME INSERT, REAR SEAT TUBE	
20	126833	FRAME INSERT OVAL DAB	Used w/ Depth Adj. Back only for S/N after to R4-023230
21A	561014	1" MED CAP	Used w/Fixed Ht Back only
21B	561082	1" TUBE END BUSHING THIN	Used w/ Ht Adj Backrest
6,10,11	114875	FLD BCK PIN REPLC KIT	
3AB,4,6,7AB,8-15	127750S	ANO FLD BK BRKTS Q7 PR	Pair, Anodized colors
1A,7A,16,21B	114615S	BCK FRM 4" ADJ STD 12W ASM	4"deep towel bar-12w-fits 10"-14",12"-16"&14"-18" back hts
1A,7A,16,21B	114616S	BCK FRM 4" ADJ STD 13W ASM	4"deep towel bar-13w-fits 10"-14",12"-16"&14"-18" back hts
1A,7A,16,21B	114617S	BCK FRM 4" ADJ STD 14W ASM	4"deep towel bar-14w-fits 10"-14",12"-16"&14"-18" back hts
1A,7A,16,21B	114618S	BCK FRM 4" ADJ STD 15W ASM	4"deep towel bar-15w-fits 10"-14",12"-16"&14"-18" back hts
1A,7A,16,21B	114619S	BCK FRM 4" ADJ STD 16W ASM	4"deep towel bar-16w-fits 10"-14",12"-16"&14"-18" back hts
1A,7A,16,21B	114620S	BCK FRM 4" ADJ STD 17W ASM	4"deep towel bar-17w-fits 10"-14",12"-16"&14"-18" back hts
1A,7A,16,21B	114621S	BCK FRM 4" ADJ STD 18W ASM	4"deep towel bar-18w-fits 10"-14",12"-16"&14"-18" back hts
1A,7A,16,21B	114622S	BCK FRM 4" ADJ STD 19W ASM	4"deep towel bar-19w-fits 10"-14",12"-16"&14"-18" back hts
1A,7A,16,21B	114623S	BCK FRM 4" ADJ STD 20W ASM	4"deep towel bar-20w-fits 10"-14",12"-16"&14"-18" back hts
1B,7A,16,21B	114626S	BCK FRM 4" ADJ TAL 12W ASM	4"deep towel bar-12w-fits 16"-20" back hts
1B,7A,16,21B	114627S	BCK FRM 4" ADJ TAL 13W ASM	4"deep towel bar-13w-fits 16"-20" back hts
1B,7A,16,21B	114628S	BCK FRM 4" ADJ TAL 14W ASM	4"deep towel bar-14w-fits 16"-20" back hts
1B,7A,16,21B	114629S	BCK FRM 4" ADJ TAL 15W ASM	4"deep towel bar-15w-fits 16"-20" back hts
1B,7A,16,21B	114630S	BCK FRM 4" ADJ TAL 16W ASM	4"deep towel bar-16w-fits 16"-20" back hts
1B,7A,16,21B	114631S	BCK FRM 4" ADJ TAL 17W ASM	4"deep towel bar-17w-fits 16"-20" back hts
1B,7A,16,21B	114632S	BCK FRM 4" ADJ TAL 18W ASM	4"deep towel bar-18w-fits 16"-20" back hts
1B,7A,16,21B	114633S	BCK FRM 4" ADJ TAL 19W ASM	4"deep towel bar-19w-fits 16"-20" back hts
1B,7A,16,21B	114634S	BCK FRM 4" ADJ TAL 20W ASM	4"deep towel bar-20w-fits 16"-20" back hts
1C,7A,16,21B	114637S	BCK FRM 2" ADJ STD 12W ASM	2"deep towel bar-12w-fits 10"-14",12"-16"&14"-18" back hts
1C,7A,16,21B	114638S	BCK FRM 2" ADJ STD 13W ASM	2"deep towel bar-13w-fits 10"-14",12"-16"&14"-18" back hts
1C,7A,16,21B	114639S	BCK FRM 2" ADJ STD 14W ASM	2"deep towel bar-14w-fits 10"-14",12"-16"&14"-18" back hts
1C,7A,16,21B	114640S	BCK FRM 2" ADJ STD 15W ASM	2"deep towel bar-15w-fits 10"-14",12"-16"&14"-18" back hts
1C,7A,16,21B	114641S	BCK FRM 2" ADJ STD 16W ASM	2"deep towel bar-16w-fits 10"-14",12"-16"&14"-18" back hts
1C,7A,16,21B	114642S	BCK FRM 2" ADJ STD 17W ASM	2"deep towel bar-17w-fits 10"-14",12"-16"&14"-18" back hts
1C,7A,16,21B	114643S	BCK FRM 2" ADJ STD 18W ASM	2"deep towel bar-18w-fits 10"-14",12"-16"&14"-18" back hts
1C,7A,16,21B	114644S	BCK FRM 2" ADJ STD 19W ASM	2"deep towel bar-19w-fits 10"-14",12"-16"&14"-18" back hts
1C,7A,16,21B	114645S	BCK FRM 2" ADJ STD 20W ASM	2"deep towel bar-20w-fits 10"-14",12"-16"&14"-18" back hts
1D,7A,16,21B	114648S	BCK FRM 2" ADJ TAL 12W ASM	2"deep towel bar-12w-fits 16"-20" back hts
1D,7A,16,21B	114649S	BCK FRM 2" ADJ TAL 13W ASM	2"deep towel bar-13w-fits 16"-20" back hts
1D,7A,16,21B	114650S	BCK FRM 2" ADJ TAL 14W ASM	2"deep towel bar-14w-fits 16"-20" back hts
1D,7A,16,21B	114651S	BCK FRM 2" ADJ TAL 15W ASM	2"deep towel bar-15w-fits 16"-20" back hts
1D,7A,16,21B	114652S	BCK FRM 2" ADJ TAL 16W ASM	2"deep towel bar-16w-fits 16"-20" back hts
1D,7A,16,21B	114653S	BCK FRM 2" ADJ TAL 17W ASM	2"deep towel bar-17w-fits 16"-20" back hts
1D,7A,16,21B	114654S	BCK FRM 2" ADJ TAL 18W ASM	2"deep towel bar-18w-fits 16"-20" back hts
1D,7A,16,21B	114655S	BCK FRM 2" ADJ TAL 19W ASM	2"deep towel bar-19w-fits 16"-20" back hts
1D,7A,16,21B	114656S	BCK FRM 2" ADJ TAL 20W ASM	2"deep towel bar-20w-fits 16"-20" back hts
1E,7B,16,21A	114675S	BCK FRM 4" FIX 12WX8T ASM	4"deep towel bar-12w-fits 8" fixed back hts
1E,7B,16,21A	114676S	BCK FRM 4" FIX 12WX9T ASM	4"deep towel bar-12w-fits 9" fixed back hts
1E,7B,16,21A	114677S	BCK FRM 4" FIX 12WX10T ASM	4"deep towel bar-12w-fits 10" fixed back hts
1E,7B,16,21A	114678S	BCK FRM 4" FIX 12WX11T ASM	4"deep towel bar-12w-fits 11" fixed back hts
1E,7B,16,21A	114679S	BCK FRM 4" FIX 12WX12T ASM	4"deep towel bar-12w-fits 12" fixed back hts
1E,7B,16,21A	114680S	BCK FRM 4" FIX 12WX13T ASM	4"deep towel bar-12w-fits 13" fixed back hts
1E,7B,16,21A	114681S	BCK FRM 4" FIX 12WX14T ASM	4"deep towel bar-12w-fits 14" fixed back hts
1E,7B,16,21A	114682S	BCK FRM 4" FIX 12WX15T ASM	4"deep towel bar-12w-fits 15" fixed back hts
1E,7B,16,21A	114683S	BCK FRM 4" FIX 12WX16T ASM	4"deep towel bar-12w-fits 16" fixed back hts
1E,7B,16,21A	114684S	BCK FRM 4" FIX 13WX8T ASM	4"deep towel bar-13w-fits 8" fixed back hts
1E,7B,16,21A	114685S	BCK FRM 4" FIX 13WX9T ASM	4"deep towel bar-13w-fits 9" fixed back hts
1E,7B,16,21A	114686S	BCK FRM 4" FIX 13WX10T ASM	4"deep towel bar-13w-fits 10" fixed back hts
1E,7B,16,21A	114687S	BCK FRM 4" FIX 13WX11T ASM	4"deep towel bar-13w-fits 11" fixed back hts

Pos.	Item Number	Description	Remarks
1F,7B,16,21A	114820S	BCK FRM 2" FIX 17WX9T ASM	2"deep towel bar-17w-fits 9" fixed back hts
1F,7B,16,21A	114821S	BCK FRM 2" FIX 17WX10T ASM	2"deep towel bar-17w-fits 10" fixed back hts
1F,7B,16,21A	114822S	BCK FRM 2" FIX 17WX11T ASM	2"deep towel bar-17w-fits 11" fixed back hts
1F,7B,16,21A	114823S	BCK FRM 2" FIX 17WX12T ASM	2"deep towel bar-17w-fits 12" fixed back hts
1F,7B,16,21A	114824S	BCK FRM 2" FIX 17WX13T ASM	2"deep towel bar-17w-fits 13" fixed back hts
1F,7B,16,21A	114825S	BCK FRM 2" FIX 17WX14T ASM	2"deep towel bar-17w-fits 14" fixed back hts
1F,7B,16,21A	114826S	BCK FRM 2" FIX 17WX15T ASM	2"deep towel bar-17w-fits 15" fixed back hts
1F,7B,16,21A	114827S	BCK FRM 2" FIX 17WX16T ASM	2"deep towel bar-17w-fits 16" fixed back hts
1F,7B,16,21A	114828S	BCK FRM 2" FIX 18WX8T ASM	2"deep towel bar-18w-fits 8" fixed back hts
1F,7B,16,21A	114829S	BCK FRM 2" FIX 18WX9T ASM	2"deep towel bar-18w-fits 9" fixed back hts
1F,7B,16,21A	114830S	BCK FRM 2" FIX 18WX10T ASM	2"deep towel bar-18w-fits 10" fixed back hts
1F,7B,16,21A	114831S	BCK FRM 2" FIX 18WX11T ASM	2"deep towel bar-18w-fits 11" fixed back hts
1F,7B,16,21A	114832S	BCK FRM 2" FIX 18WX12T ASM	2"deep towel bar-18w-fits 12" fixed back hts
1F,7B,16,21A	114833S	BCK FRM 2" FIX 18WX13T ASM	2"deep towel bar-18w-fits 13" fixed back hts
1F,7B,16,21A	114834S	BCK FRM 2" FIX 18WX14T ASM	2"deep towel bar-18w-fits 14" fixed back hts
1F,7B,16,21A	114835S	BCK FRM 2" FIX 18WX15T ASM	2"deep towel bar-18w-fits 15" fixed back hts
1F,7B,16,21A	114836S	BCK FRM 2" FIX 18WX16T ASM	2"deep towel bar-18w-fits 16" fixed back hts
1F,7B,16,21A	114837S	BCK FRM 2" FIX 19WX8T ASM	2"deep towel bar-19w-fits 8" fixed back hts
1F,7B,16,21A	114838S	BCK FRM 2" FIX 19WX9T ASM	2"deep towel bar-19w-fits 9" fixed back hts
1F,7B,16,21A	114839S	BCK FRM 2" FIX 19WX10T ASM	2"deep towel bar-19w-fits 10" fixed back hts
1F,7B,16,21A	114840S	BCK FRM 2" FIX 19WX11T ASM	2"deep towel bar-19w-fits 11" fixed back hts
1F,7B,16,21A	114841S	BCK FRM 2" FIX 19WX12T ASM	2"deep towel bar-19w-fits 12" fixed back hts
1F,7B,16,21A	114842S	BCK FRM 2" FIX 19WX13T ASM	2"deep towel bar-19w-fits 13" fixed back hts
1F,7B,16,21A	114843S	BCK FRM 2" FIX 19WX14T ASM	2"deep towel bar-19w-fits 14" fixed back hts
1F,7B,16,21A	114844S	BCK FRM 2" FIX 19WX15T ASM	2"deep towel bar-19w-fits 15" fixed back hts
1F,7B,16,21A	114845S	BCK FRM 2" FIX 19WX16T ASM	2"deep towel bar-19w-fits 16" fixed back hts
1F,7B,16,21A	114846S	BCK FRM 2" FIX 20WX8T ASM	2"deep towel bar-20w-fits 8" fixed back hts
1F,7B,16,21A	114847S	BCK FRM 2" FIX 20WX9T ASM	2"deep towel bar-20w-fits 9" fixed back hts
1F,7B,16,21A	114848S	BCK FRM 2" FIX 20WX10T ASM	2"deep towel bar-20w-fits 10" fixed back hts
1F,7B,16,21A	114849S	BCK FRM 2" FIX 20WX11T ASM	2"deep towel bar-20w-fits 11" fixed back hts
1F,7B,16,21A	114850S	BCK FRM 2" FIX 20WX12T ASM	2"deep towel bar-20w-fits 12" fixed back hts
1F,7B,16,21A	114851S	BCK FRM 2" FIX 20WX13T ASM	2"deep towel bar-20w-fits 13" fixed back hts
1F,7B,16,21A	114852S	BCK FRM 2" FIX 20WX14T ASM	2"deep towel bar-20w-fits 14" fixed back hts
1F,7B,16,21A	114853S	BCK FRM 2" FIX 20WX15T ASM	2"deep towel bar-20w-fits 15" fixed back hts
1F,7B,16,21A	114854S	BCK FRM 2" FIX 20WX16T ASM	2"deep towel bar-20w-fits 16" fixed back hts
12	112364	Discontinued, replace with appropriate kit	
13	110159	Discontinued, replace with appropriate kit	

Note: The Q7 has 8 degrees rearward to 27 degrees forward adjustment in 5 degree increments.

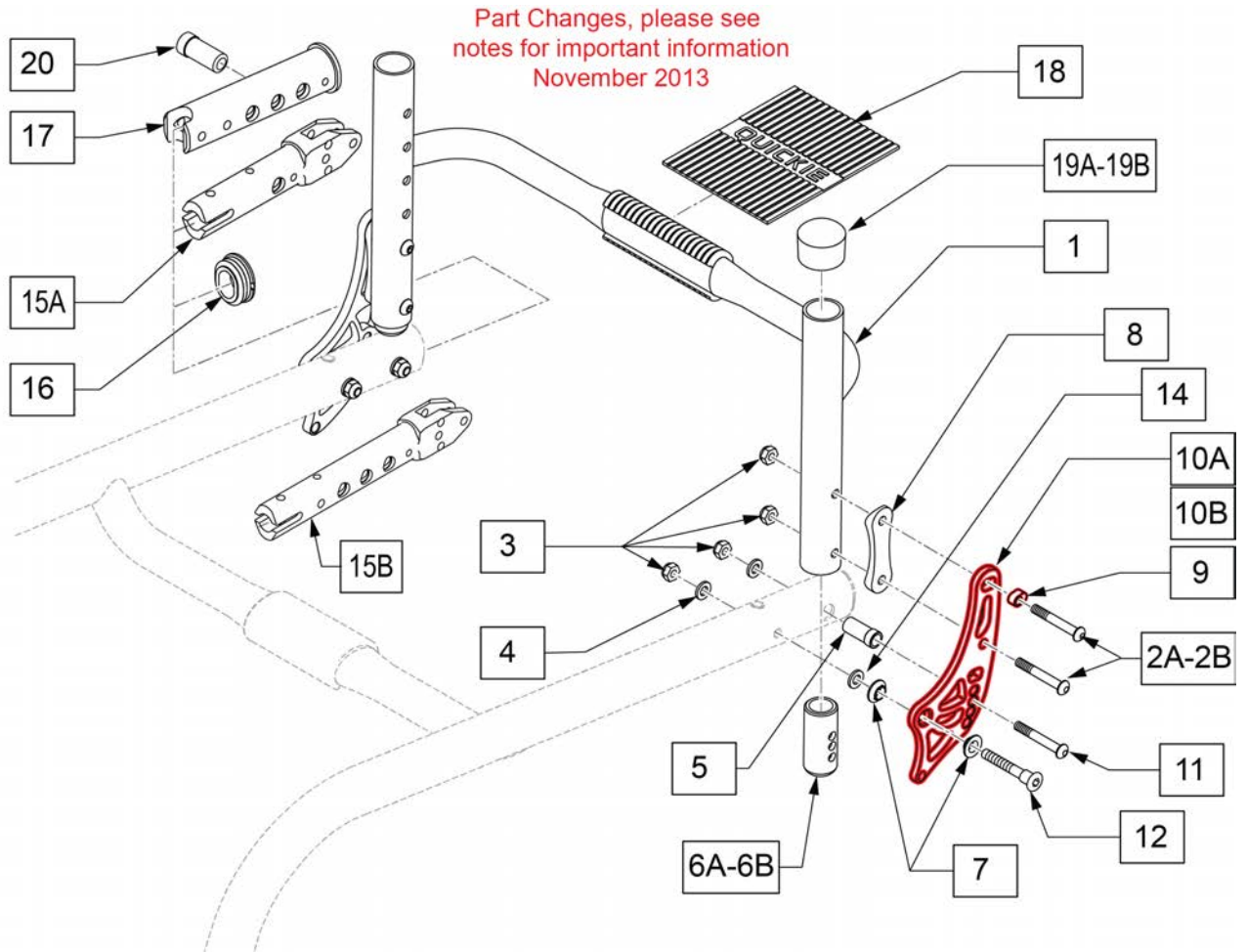
Note: When moving backrest rearward with a Depth Adjustable Back item 23 will be used as a bushing for item 14.

Note: If replacing parts for Backrest Bracket on chairs built before S/N R4-018772 complete Folding Angl Adj Back Kit must be ordered.

Note: Lanyard not included in kits, order separately.

NON-FOLDING ANGLE ADJ BACK FRAME

(12/2013)



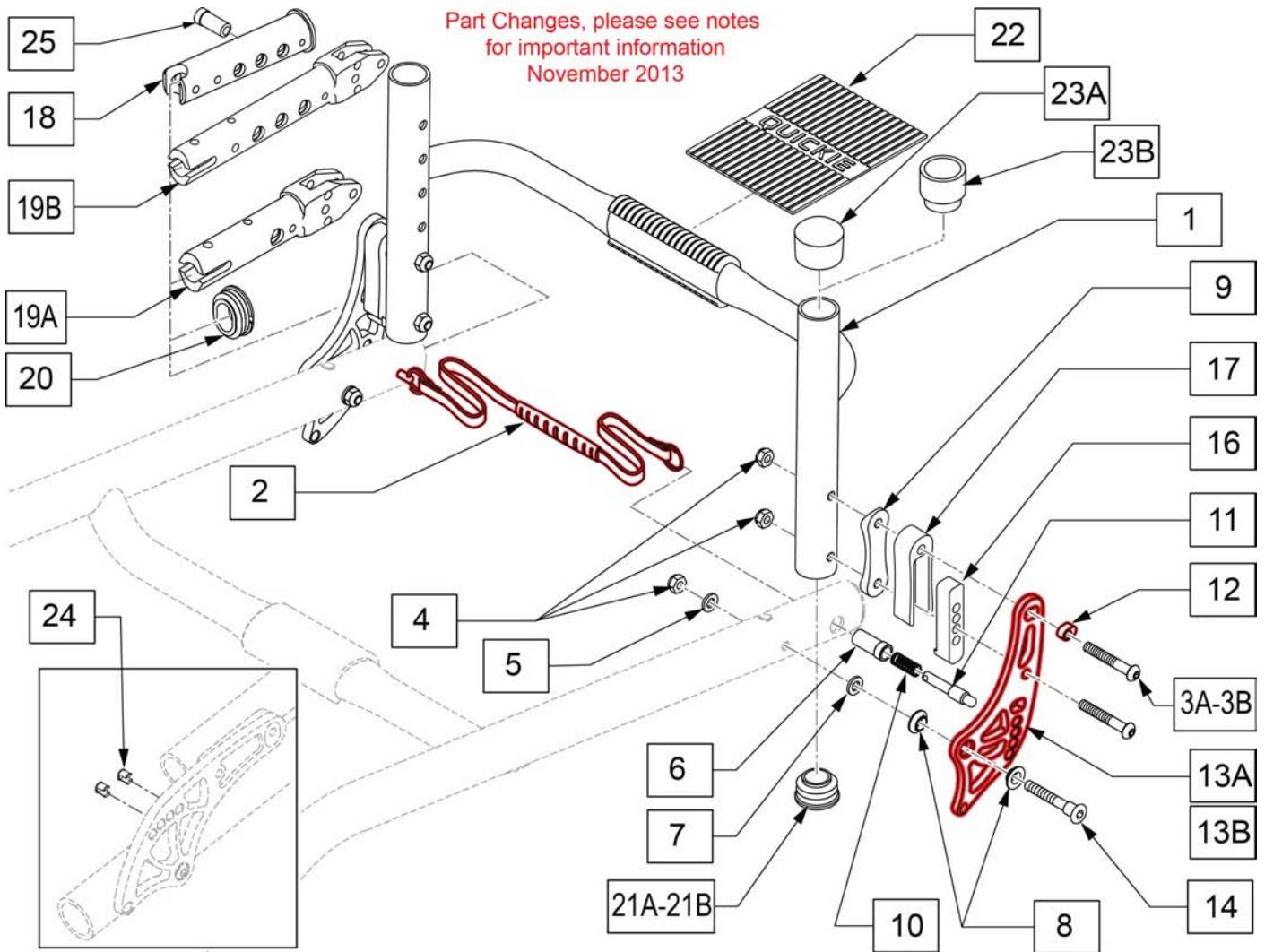
Pos.	Item Number	Description	Remarks
2A	102262-006	BHCS,M6X1X40,PART,NL	Used w/o Ht Adj Push Handles
2B	102262-007	BHCS,M6X1X45,PART,N	Used w/ Ht Adj Push Handles
3	104381	NUT NYLOCK M6 X 1	
4	250104	WASHER FLAT M6	
5	109730	PIN GUIDE BACKREST FIXED	Fixed back only, not compatible with Folding Back
6A	112317	BACKREST ADJUSTER STOP 2MM	Used w/ Ht Adj Backrest
6B	112318	BACKREST ADJUSTER STOP 1MM	Used w/ Fixed Backrest
7	109198	BACK BRACKET BUSHING	
8	110160	BACKREST BRACKET SADDLE	
11	102262-007	BHCS M6X1X45,FULL,PL	
12	109204	BACKREST BOLT	
13	262130	6mm WAVE WASHER	
14	010963	SPRING BELLEVILLE 8MM	
15A	126832	ARM REST, PADDED TUBULAR MT	Used w/o Depth Adj Back
15B	126831	ARMREST, PADDED TUBULAR MT DAB	Used w/ Depth Adj Back
16	110161	FRAME INSERT, REAR SEAT TUBE	
17	126833	FRAME INSERT OVAL DAB	Used w/ Depth Adj Back
18	112311	GRIP TOWEL BAR QUICKIE	
19A	561014	1" MED CAP	Used w/Fixed Ht Back only
19B	561082	1" TUBE END BUSHING THIN	Used w/ Ht Adj Backrest
20	109730	PIN GUIDE BACKREST FIXED	See Note
2-13A,14	114873	N-FOLD ANGL ADJ BACK KIT	

Pos.	Item Number	Description	Remarks
2AB,3-5,7-10,12	125781S	ANO NON FLD BK BRKTS Q7 PR	Pair, Anodized colors
1,6A,18,19B	114615S	BCK FRM 4" ADJ STD 12W ASM	4" deep towel bar-12w-fits 10"-14",12"-16"&14"-18" back hts
1,6A,18,19B	114616S	BCK FRM 4" ADJ STD 13W ASM	4" deep towel bar-13w-fits 10"-14",12"-16"&14"-18" back hts
1,6A,18,19B	114617S	BCK FRM 4" ADJ STD 14W ASM	4" deep towel bar-14w-fits 10"-14",12"-16"&14"-18" back hts
1,6A,18,19B	114618S	BCK FRM 4" ADJ STD 15W ASM	4" deep towel bar-15w-fits 10"-14",12"-16"&14"-18" back hts
1,6A,18,19B	114619S	BCK FRM 4" ADJ STD 16W ASM	4" deep towel bar-16w-fits 10"-14",12"-16"&14"-18" back hts
1,6A,18,19B	114620S	BCK FRM 4" ADJ STD 17W ASM	4" deep towel bar-17w-fits 10"-14",12"-16"&14"-18" back hts
1,6A,18,19B	114621S	BCK FRM 4" ADJ STD 18W ASM	4" deep towel bar-18w-fits 10"-14",12"-16"&14"-18" back hts
1,6A,18,19B	114622S	BCK FRM 4" ADJ STD 19W ASM	4" deep towel bar-19w-fits 10"-14",12"-16"&14"-18" back hts
1,6A,18,19B	114623S	BCK FRM 4" ADJ STD 20W ASM	4" deep towel bar-20w-fits 10"-14",12"-16"&14"-18" back hts
1,6A,18,19B	114626S	BCK FRM 4" ADJ TAL 12W ASM	4" deep towel bar-12w-fits 16"-20" back hts
1,6A,18,19B	114627S	BCK FRM 4" ADJ TAL 13W ASM	4" deep towel bar-13w-fits 16"-20" back hts
1,6A,18,19B	114628S	BCK FRM 4" ADJ TAL 14W ASM	4" deep towel bar-14w-fits 16"-20" back hts
1,6A,18,19B	114629S	BCK FRM 4" ADJ TAL 15W ASM	4" deep towel bar-15w-fits 16"-20" back hts
1,6A,18,19B	114630S	BCK FRM 4" ADJ TAL 16W ASM	4" deep towel bar-16w-fits 16"-20" back hts
1,6A,18,19B	114631S	BCK FRM 4" ADJ TAL 17W ASM	4" deep towel bar-17w-fits 16"-20" back hts
1,6A,18,19B	114632S	BCK FRM 4" ADJ TAL 18W ASM	4" deep towel bar-18w-fits 16"-20" back hts
1,6A,18,19B	114633S	BCK FRM 4" ADJ TAL 19W ASM	4" deep towel bar-19w-fits 16"-20" back hts
1,6A,18,19B	114634S	BCK FRM 4" ADJ TAL 20W ASM	4" deep towel bar-20w-fits 16"-20" back hts
1,6A,18,19B	114637S	BCK FRM 2" ADJ STD 12W ASM	2" deep towel bar-12w-fits 10"-14",12"-16"&14"-18" back hts
1,6A,18,19B	114638S	BCK FRM 2" ADJ STD 13W ASM	2" deep towel bar-13w-fits 10"-14",12"-16"&14"-18" back hts
1,6A,18,19B	114639S	BCK FRM 2" ADJ STD 14W ASM	2" deep towel bar-14w-fits 10"-14",12"-16"&14"-18" back hts
1,6A,18,19B	114640S	BCK FRM 2" ADJ STD 15W ASM	2" deep towel bar-15w-fits 10"-14",12"-16"&14"-18" back hts
1,6A,18,19B	114641S	BCK FRM 2" ADJ STD 16W ASM	2" deep towel bar-16w-fits 10"-14",12"-16"&14"-18" back hts
1,6A,18,19B	114642S	BCK FRM 2" ADJ STD 17W ASM	2" deep towel bar-17w-fits 10"-14",12"-16"&14"-18" back hts
1,6A,18,19B	114643S	BCK FRM 2" ADJ STD 18W ASM	2" deep towel bar-18w-fits 10"-14",12"-16"&14"-18" back hts
1,6A,18,19B	114644S	BCK FRM 2" ADJ STD 19W ASM	2" deep towel bar-19w-fits 10"-14",12"-16"&14"-18" back hts
1,6A,18,19B	114645S	BCK FRM 2" ADJ STD 20W ASM	2" deep towel bar-20w-fits 10"-14",12"-16"&14"-18" back hts
1,6A,18,19B	114648S	BCK FRM 2" ADJ TAL 12W ASM	2" deep towel bar-12w-fits 16"-20" back hts
1,6A,18,19B	114649S	BCK FRM 2" ADJ TAL 13W ASM	2" deep towel bar-13w-fits 16"-20" back hts
1,6A,18,19B	114650S	BCK FRM 2" ADJ TAL 14W ASM	2" deep towel bar-14w-fits 16"-20" back hts
1,6A,18,19B	114651S	BCK FRM 2" ADJ TAL 15W ASM	2" deep towel bar-15w-fits 16"-20" back hts
1,6A,18,19B	114652S	BCK FRM 2" ADJ TAL 16W ASM	2" deep towel bar-16w-fits 16"-20" back hts
1,6A,18,19B	114653S	BCK FRM 2" ADJ TAL 17W ASM	2" deep towel bar-17w-fits 16"-20" back hts
1,6A,18,19B	114654S	BCK FRM 2" ADJ TAL 18W ASM	2" deep towel bar-18w-fits 16"-20" back hts
1,6A,18,19B	114655S	BCK FRM 2" ADJ TAL 19W ASM	2" deep towel bar-19w-fits 16"-20" back hts
1,6A,18,19B	114656S	BCK FRM 2" ADJ TAL 20W ASM	2" deep towel bar-20w-fits 16"-20" back hts
1,6B,18,19A	114675S	BCK FRM 4" FIX 12WX8T ASM	4" deep towel bar-12w-fits 8" fixed back hts
1,6B,18,19A	114676S	BCK FRM 4" FIX 12WX9T ASM	4" deep towel bar-12w-fits 9" fixed back hts
1,6B,18,19A	114677S	BCK FRM 4" FIX 12WX10T ASM	4" deep towel bar-12w-fits 10" fixed back hts
1,6B,18,19A	114678S	BCK FRM 4" FIX 12WX11T ASM	4" deep towel bar-12w-fits 11" fixed back hts
1,6B,18,19A	114679S	BCK FRM 4" FIX 12WX12T ASM	4" deep towel bar-12w-fits 12" fixed back hts
1,6B,18,19A	114680S	BCK FRM 4" FIX 12WX13T ASM	4" deep towel bar-12w-fits 13" fixed back hts
1,6B,18,19A	114681S	BCK FRM 4" FIX 12WX14T ASM	4" deep towel bar-12w-fits 14" fixed back hts
1,6B,18,19A	114682S	BCK FRM 4" FIX 12WX15T ASM	4" deep towel bar-12w-fits 15" fixed back hts
1,6B,18,19A	114683S	BCK FRM 4" FIX 12WX16T ASM	4" deep towel bar-12w-fits 16" fixed back hts
1,6B,18,19A	114684S	BCK FRM 4" FIX 13WX8T ASM	4" deep towel bar-13w-fits 8" fixed back hts
1,6B,18,19A	114685S	BCK FRM 4" FIX 13WX9T ASM	4" deep towel bar-13w-fits 9" fixed back hts
1,6B,18,19A	114686S	BCK FRM 4" FIX 13WX10T ASM	4" deep towel bar-13w-fits 10" fixed back hts
1,6B,18,19A	114687S	BCK FRM 4" FIX 13WX11T ASM	4" deep towel bar-13w-fits 11" fixed back hts
1,6B,18,19A	114688S	BCK FRM 4" FIX 13WX12T ASM	4" deep towel bar-13w-fits 12" fixed back hts
1,6B,18,19A	114689S	BCK FRM 4" FIX 13WX13T ASM	4" deep towel bar-13w-fits 13" fixed back hts
1,6B,18,19A	114690S	BCK FRM 4" FIX 13WX14T ASM	4" deep towel bar-13w-fits 14" fixed back hts
1,6B,18,19A	114691S	BCK FRM 4" FIX 13WX15T ASM	4" deep towel bar-13w-fits 15" fixed back hts
1,6B,18,19A	114692S	BCK FRM 4" FIX 13WX16T ASM	4" deep towel bar-13w-fits 16" fixed back hts
1,6B,18,19A	114693S	BCK FRM 4" FIX 14WX8T ASM	4" deep towel bar-14w-fits 8" fixed back hts
1,6B,18,19A	114694S	BCK FRM 4" FIX 14WX9T ASM	4" deep towel bar-14w-fits 9" fixed back hts

Pos.	Item Number	Description	Remarks
1,6B,18,19A	114827S	BCK FRM 2" FIX 17WX16T ASM	2" deep towel bar-17w-fits 16" fixed back hts
1,6B,18,19A	114828S	BCK FRM 2" FIX 18WX8T ASM	2" deep towel bar-18w-fits 8" fixed back hts
1,6B,18,19A	114829S	BCK FRM 2" FIX 18WX9T ASM	2" deep towel bar-18w-fits 9" fixed back hts
1,6B,18,19A	114830S	BCK FRM 2" FIX 18WX10T ASM	2" deep towel bar-18w-fits 10" fixed back hts
1,6B,18,19A	114831S	BCK FRM 2" FIX 18WX11T ASM	2" deep towel bar-18w-fits 11" fixed back hts
1,6B,18,19A	114832S	BCK FRM 2" FIX 18WX12T ASM	2" deep towel bar-18w-fits 12" fixed back hts
1,6B,18,19A	114833S	BCK FRM 2" FIX 18WX13T ASM	2" deep towel bar-18w-fits 13" fixed back hts
1,6B,18,19A	114834S	BCK FRM 2" FIX 18WX14T ASM	2" deep towel bar-18w-fits 14" fixed back hts
1,6B,18,19A	114835S	BCK FRM 2" FIX 18WX15T ASM	2" deep towel bar-18w-fits 15" fixed back hts
1,6B,18,19A	114836S	BCK FRM 2" FIX 18WX16T ASM	2" deep towel bar-18w-fits 16" fixed back hts
1,6B,18,19A	114837S	BCK FRM 2" FIX 19WX8T ASM	2" deep towel bar-19w-fits 8" fixed back hts
1,6B,18,19A	114838S	BCK FRM 2" FIX 19WX9T ASM	2" deep towel bar-19w-fits 9" fixed back hts
1,6B,18,19A	114839S	BCK FRM 2" FIX 19WX10T ASM	2" deep towel bar-19w-fits 10" fixed back hts
1,6B,18,19A	114840S	BCK FRM 2" FIX 19WX11T ASM	2" deep towel bar-19w-fits 11" fixed back hts
1,6B,18,19A	114841S	BCK FRM 2" FIX 19WX12T ASM	2" deep towel bar-19w-fits 12" fixed back hts
1,6B,18,19A	114842S	BCK FRM 2" FIX 19WX13T ASM	2" deep towel bar-19w-fits 13" fixed back hts
1,6B,18,19A	114843S	BCK FRM 2" FIX 19WX14T ASM	2" deep towel bar-19w-fits 14" fixed back hts
1,6B,18,19A	114844S	BCK FRM 2" FIX 19WX15T ASM	2" deep towel bar-19w-fits 15" fixed back hts
1,6B,18,19A	114845S	BCK FRM 2" FIX 19WX16T ASM	2" deep towel bar-19w-fits 16" fixed back hts
1,6B,18,19A	114846S	BCK FRM 2" FIX 20WX8T ASM	2" deep towel bar-20w-fits 8" fixed back hts
1,6B,18,19A	114847S	BCK FRM 2" FIX 20WX9T ASM	2" deep towel bar-20w-fits 9" fixed back hts
1,6B,18,19A	114848S	BCK FRM 2" FIX 20WX10T ASM	2" deep towel bar-20w-fits 10" fixed back hts
1,6B,18,19A	114849S	BCK FRM 2" FIX 20WX11T ASM	2" deep towel bar-20w-fits 11" fixed back hts
1,6B,18,19A	114850S	BCK FRM 2" FIX 20WX12T ASM	2" deep towel bar-20w-fits 12" fixed back hts
1,6B,18,19A	114851S	BCK FRM 2" FIX 20WX13T ASM	2" deep towel bar-20w-fits 13" fixed back hts
1,6B,18,19A	114852S	BCK FRM 2" FIX 20WX14T ASM	2" deep towel bar-20w-fits 14" fixed back hts
1,6B,18,19A	114853S	BCK FRM 2" FIX 20WX15T ASM	2" deep towel bar-20w-fits 15" fixed back hts
1,6B,18,19A	114854S	BCK FRM 2" FIX 20WX16T ASM	2" deep towel bar-20w-fits 16" fixed back hts
9	112364	Discontinued, replace with appropriate kit	
10	110159	Discontinued, replace with appropriate kit	

Note: The Q7 has 8 degrees rearward to 27 degrees forward adjustment in 5 degree increments.

Note: When moving backrest rearward with a Depth Adjustable Back item 20 will be used as a bushing for item 12.



Pos.	Item Number	Description	Remarks
2	109765	LANYARD THERMO PRESS 12W	Fits 12w chair w/ back inset
2	109766	LANYARD THERMO PRESS 13W	Fits 13w chair w/ back inset
2	109767	LANYARD THERMO PRESS 14W	Fits 14w chair w/ back inset
2	109768	LANYARD THERMO PRESS 15W	Fits 15w chair w/ back inset
2	109769	LANYARD THERMO PRESS 16W	Fits 16w chair w/ back inset
2	109770	LANYARD THERMO PRESS 17W	Fits 17w chair w/ back inset
2	109771	LANYARD THERMO PRESS 18W	Fits 18w chair w/ back inset
2	109772	LANYARD THERMO PRESS 19W	Fits 19w chair w/ back inset
2	109773	LANYARD THERMO PRESS 20"	Fits 20w chair w/ back inset
3A	058901-003	BHCS,M6X1X50,PART,PL	Used w/o Ht Adj Push Handles
3B	058901-004	BHCS,M6X1X55,PART,PL	Used w/ Ht Adj Push Handles
4	104381	NUT NYLOCK M6 X 1	
5	250104	WASHER FLAT M6	
7	010963	SPRING BELLEVILLE 8MM	Special concave washer
8	109198	BACK BRACKET BUSHING	
9	110160	BACKREST BRACKET SADDLE	
14	109204	BACKREST BOLT	
16	112321	BACKREST INSET SPACER BOTTOM	
17	112320	BACKREST INSET SPACER TOP	

Pos.	Item Number	Description	Remarks
18	126833	FRAME INSERT OVAL DAB	Used w/ Depth Adj Back
19A	126832	ARM REST, PADDED TUBULAR MT	Used w/o Depth Adj Back
19B	126831	ARMREST, PADDED TUBULAR MT DAB	Used w/ Depth Adj Back
20	110161	FRAME INSERT, REAR SEAT TUB	
21A	561062	1" INSERT PLUG .065 RIBS	Used w/ Fixed Back
21B	560735	7/8" ROUND TUBE PLUG	Used w/ Ht Adj Back
22	112311	GRIP TOWEL BAR QUICKIE	
23A	561014	1" MED CAP	Used w/Fixed Ht Back only
23B	561082	1" TUBE END BUSHING THIN	Used w/ Ht Adj Backrest
24	109822	BACKREST ADJ DELETE PLUG	PKG of 8
25	109730	PIN GUIDE BACKREST FIXED	See Note
6,10,11	114875	FLD BCK PIN REPLC KIT	
3A,3B,,4-17	127750S	ANO FLD BK BRKTS Q7 PR	Pair, Anodized colors
1,21A,22,23B	114615S	BCK FRM 4" ADJ STD 12W ASM	4"deep towel bar-12w-fits 10"-14",12"-16"&14"-18" back hts
1,21A,22,23B	114616S	BCK FRM 4" ADJ STD 13W ASM	4"deep towel bar-13w-fits 10"-14",12"-16"&14"-18" back hts
1,21A,22,23B	114617S	BCK FRM 4" ADJ STD 14W ASM	4"deep towel bar-14w-fits 10"-14",12"-16"&14"-18" back hts
1,21A,22,23B	114618S	BCK FRM 4" ADJ STD 15W ASM	4"deep towel bar-15w-fits 10"-14",12"-16"&14"-18" back hts
1,21A,22,23B	114619S	BCK FRM 4" ADJ STD 16W ASM	4"deep towel bar-16w-fits 10"-14",12"-16"&14"-18" back hts
1,21A,22,23B	114620S	BCK FRM 4" ADJ STD 17W ASM	4"deep towel bar-17w-fits 10"-14",12"-16"&14"-18" back hts
1,21A,22,23B	114621S	BCK FRM 4" ADJ STD 18W ASM	4"deep towel bar-18w-fits 10"-14",12"-16"&14"-18" back hts
1,21A,22,23B	114622S	BCK FRM 4" ADJ STD 19W ASM	4"deep towel bar-19w-fits 10"-14",12"-16"&14"-18" back hts
1,21A,22,23B	114626S	BCK FRM 4" ADJ TAL 12W ASM	4"deep towel bar-12w-fits 16"-20" back hts
1,21A,22,23B	114627S	BCK FRM 4" ADJ TAL 13W ASM	4"deep towel bar-13w-fits 16"-20" back hts
1,21A,22,23B	114628S	BCK FRM 4" ADJ TAL 14W ASM	4"deep towel bar-14w-fits 16"-20" back hts
1,21A,22,23B	114629S	BCK FRM 4" ADJ TAL 15W ASM	4"deep towel bar-15w-fits 16"-20" back hts
1,21A,22,23B	114630S	BCK FRM 4" ADJ TAL 16W ASM	4"deep towel bar-16w-fits 16"-20" back hts
1,21A,22,23B	114631S	BCK FRM 4" ADJ TAL 17W ASM	4"deep towel bar-17w-fits 16"-20" back hts
1,21A,22,23B	114632S	BCK FRM 4" ADJ TAL 18W ASM	4"deep towel bar-18w-fits 16"-20" back hts
1,21A,22,23B	114633S	BCK FRM 4" ADJ TAL 19W ASM	4"deep towel bar-19w-fits 16"-20" back hts
1,21A,22,23B	114637S	BCK FRM 2" ADJ STD 12W ASM	2"deep towel bar-13w-fits 10"-14",12"-16"&14"-18" back hts
1,21A,22,23B	114638S	BCK FRM 2" ADJ STD 13W ASM	2"deep towel bar-14w-fits 10"-14",12"-16"&14"-18" back hts
1,21A,22,23B	114639S	BCK FRM 2" ADJ STD 14W ASM	2"deep towel bar-15w-fits 10"-14",12"-16"&14"-18" back hts
1,21A,22,23B	114640S	BCK FRM 2" ADJ STD 15W ASM	2"deep towel bar-16w-fits 10"-14",12"-16"&14"-18" back hts
1,21A,22,23B	114641S	BCK FRM 2" ADJ STD 16W ASM	2"deep towel bar-17w-fits 10"-14",12"-16"&14"-18" back hts
1,21A,22,23B	114642S	BCK FRM 2" ADJ STD 17W ASM	2"deep towel bar-18w-fits 10"-14",12"-16"&14"-18" back hts
1,21A,22,23B	114643S	BCK FRM 2" ADJ STD 18W ASM	2"deep towel bar-19w-fits 10"-14",12"-16"&14"-18" back hts
1,21A,22,23B	114644S	BCK FRM 2" ADJ STD 19W ASM	2"deep towel bar-19w-fits 10"-14",12"-16"&14"-18" back hts
1,21A,22,23B	114648S	BCK FRM 2" ADJ TAL 12W ASM	2"deep towel bar-13w-fits 16"-20" back hts
1,21A,22,23B	114649S	BCK FRM 2" ADJ TAL 13W ASM	2"deep towel bar-14w-fits 16"-20" back hts
1,21A,22,23B	114650S	BCK FRM 2" ADJ TAL 14W ASM	2"deep towel bar-15w-fits 16"-20" back hts
1,21A,22,23B	114651S	BCK FRM 2" ADJ TAL 15W ASM	2"deep towel bar-16w-fits 16"-20" back hts
1,21A,22,23B	114652S	BCK FRM 2" ADJ TAL 16W ASM	2"deep towel bar-17w-fits 16"-20" back hts
1,21A,22,23B	114653S	BCK FRM 2" ADJ TAL 17W ASM	2"deep towel bar-18w-fits 16"-20" back hts
1,21A,22,23B	114654S	BCK FRM 2" ADJ TAL 18W ASM	2"deep towel bar-19w-fits 16"-20" back hts
1,21A,22,23B	114655S	BCK FRM 2" ADJ TAL 19W ASM	2"deep towel bar-19w-fits 16"-20" back hts
1,21B,22,23A	114675S	BCK FRM 4" FIX 12WX8T ASM	4"deep towel bar-13w-fits 8" fixed back hts
1,21B,22,23A	114676S	BCK FRM 4" FIX 12WX9T ASM	4"deep towel bar-13w-fits 9" fixed back hts
1,21B,22,23A	114677S	BCK FRM 4" FIX 12WX10T ASM	4"deep towel bar-13w-fits 10" fixed back hts
1,21B,22,23A	114678S	BCK FRM 4" FIX 12WX11T ASM	4"deep towel bar-13w-fits 11" fixed back hts
1,21B,22,23A	114679S	BCK FRM 4" FIX 12WX12T ASM	4"deep towel bar-13w-fits 12" fixed back hts
1,21B,22,23A	114680S	BCK FRM 4" FIX 12WX13T ASM	4"deep towel bar-13w-fits 13" fixed back hts
1,21B,22,23A	114681S	BCK FRM 4" FIX 12WX14T ASM	4"deep towel bar-13w-fits 14" fixed back hts
1,21B,22,23A	114682S	BCK FRM 4" FIX 12WX15T ASM	4"deep towel bar-13w-fits 15" fixed back hts
1,21B,22,23A	114683S	BCK FRM 4" FIX 12WX16T ASM	4"deep towel bar-13w-fits 16" fixed back hts
1,21B,22,23A	114684S	BCK FRM 4" FIX 13WX8T ASM	4"deep towel bar-14w-fits 8" fixed back hts
1,21B,22,23A	114685S	BCK FRM 4" FIX 13WX9T ASM	4"deep towel bar-14w-fits 9" fixed back hts
1,21B,22,23A	114686S	BCK FRM 4" FIX 13WX10T ASM	4"deep towel bar-14w-fits 10" fixed back hts

Pos.	Item Number	Description	Remarks
1,21B,22,23A	114825S	BCK FRM 2" FIX 17WX14T ASM	2"deep towel bar-18w-fits 14" fixed back hts
1,21B,22,23A	114826S	BCK FRM 2" FIX 17WX15T ASM	2"deep towel bar-18w-fits 15" fixed back hts
1,21B,22,23A	114827S	BCK FRM 2" FIX 17WX16T ASM	2"deep towel bar-18w-fits 16" fixed back hts
1,21B,22,23A	114828S	BCK FRM 2" FIX 18WX8T ASM	2"deep towel bar-19w-fits 8" fixed back hts
1,21B,22,23A	114829S	BCK FRM 2" FIX 18WX9T ASM	2"deep towel bar-19w-fits 9" fixed back hts
1,21B,22,23A	114830S	BCK FRM 2" FIX 18WX10T ASM	2"deep towel bar-19w-fits 10" fixed back hts
1,21B,22,23A	114831S	BCK FRM 2" FIX 18WX11T ASM	2"deep towel bar-19w-fits 11" fixed back hts
1,21B,22,23A	114832S	BCK FRM 2" FIX 18WX12T ASM	2"deep towel bar-19w-fits 12" fixed back hts
1,21B,22,23A	114833S	BCK FRM 2" FIX 18WX13T ASM	2"deep towel bar-19w-fits 13" fixed back hts
1,21B,22,23A	114834S	BCK FRM 2" FIX 18WX14T ASM	2"deep towel bar-19w-fits 14" fixed back hts
1,21B,22,23A	114835S	BCK FRM 2" FIX 18WX15T ASM	2"deep towel bar-19w-fits 15" fixed back hts
1,21B,22,23A	114836S	BCK FRM 2" FIX 18WX16T ASM	2"deep towel bar-19w-fits 16" fixed back hts
1,21B,22,23A	114837S	BCK FRM 2" FIX 19WX8T ASM	2"deep towel bar-20w-fits 8" fixed back hts
1,21B,22,23A	114838S	BCK FRM 2" FIX 19WX9T ASM	2"deep towel bar-20w-fits 9" fixed back hts
1,21B,22,23A	114839S	BCK FRM 2" FIX 19WX10T ASM	2"deep towel bar-20w-fits 10" fixed back hts
1,21B,22,23A	114840S	BCK FRM 2" FIX 19WX11T ASM	2"deep towel bar-20w-fits 11" fixed back hts
1,21B,22,23A	114841S	BCK FRM 2" FIX 19WX12T ASM	2"deep towel bar-20w-fits 12" fixed back hts
1,21B,22,23A	114842S	BCK FRM 2" FIX 19WX13T ASM	2"deep towel bar-20w-fits 13" fixed back hts
12	112364	Discontinued, replace with appropriate kit	
13	110159	Discontinued, replace with appropriate kit	

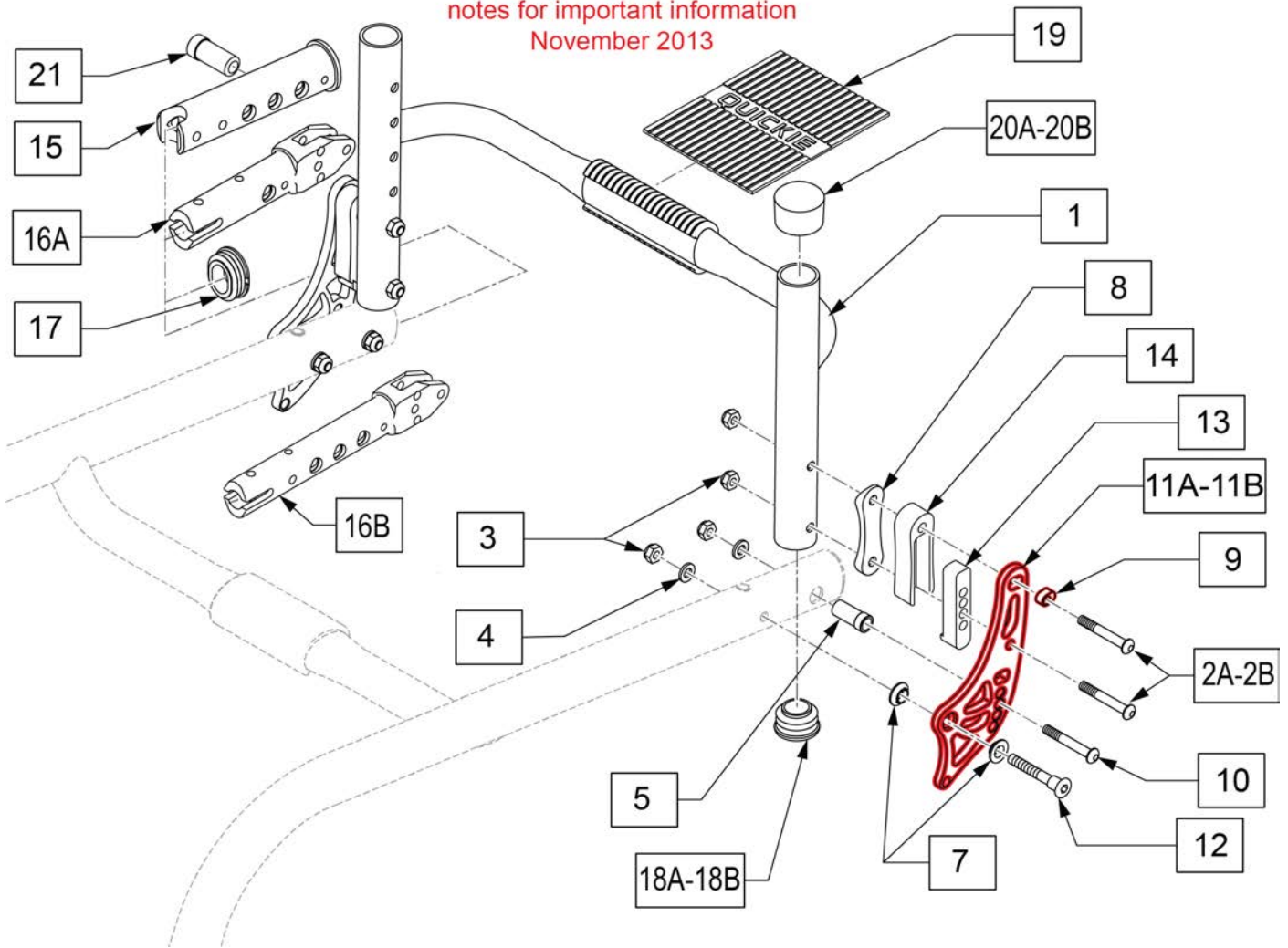
Note: The Q7 has 8 degrees rearward to 27 degrees forward adjustment in 5 degree increments.

Note: Back frames on Inset Back measure 1" less than the chair width. Example: if you had a 16" wide chair, a 15" wide back frame would be utilized. In addition, 12" wide chairs do not utilize a Inset Back.

Note: When moving backrest rearward with a Depth Adjustable Back item 25 will be used as a bushing for item 14.

Note: Lanyard not included in kits; order separately.

Part Changes, please see notes for important information November 2013



Pos.	Item Number	Description	Remarks
2A	058901-003	BHCS,M6X1X50,PART,PL	Used w/o Ht Adj Push Handles
2B	058901-004	BHCS,M6X1X55,PART,PL	Used w/ Ht Adj Push Handles
3	104381	NUT NYLOCK M6 X 1	
4	250104	WASHER FLAT M6	
5	109730	PIN GUIDE BACKREST FIXED	Fixed back only, not compatible with Folding Back
6	262130	6mm WAVE WASHER	
7	109198	BACK BRACKET BUSHING	
8	110160	BACKREST BRACKET SADDLE	
9	121915	ADJUSTER BACKREST INSERT THRU	
10	102262-007	BHCS M6X1X45,FULL,PL	
12	109204	BACKREST BOLT	
13	112321	BACKREST INSET SPACER BOTTOM	
14	112320	BACKREST INSET SPACER TOP	
15	126833	FRAME INSERT OVAL DAB	
16A	126832	ARM REST, PADDED TUBULAR MT	Used w/o Depth Adj Back
16B	126831	ARMREST, PADDED TUBULAR MT DAB	Used w/ Depth Adj Back
17	110161	FRAME INSERT, REAR SEAT TUB	
18A	561062	1" INSERT PLUG .065 RIBS	Used w/ Fixed Back
18B	560735	7/8" ROUND TUBE PLUG	Used w/ Ht Adj Back

Pos.	Item Number	Description	Remarks
19	112311	GRIP TOWEL BAR QUICKIE	
20A	561014	1" MED CAP	Used w/Fixed Ht Back only
20B	561082	1" TUBE END BUSHING THIN	Used w/ Ht Adj Backrest
21	109730	PIN GUIDE BACKREST FIXED	See Note
2A,2B-14	114874	N-FOLD ANGL ADJ NST BACK KIT	
2AB,3-14,18AB	125783S	ANO INSET NON FLD BRKTS Q7 PR	Pair, Anodized colors
1,18A,19,20B	114615S	BCK FRM 4" ADJ STD 12W ASM	4"deep towel bar-12w-fits 10"-14",12"-16"&14"-18" back hts
1,18A,19,20B	114616S	BCK FRM 4" ADJ STD 13W ASM	4"deep towel bar-13w-fits 10"-14",12"-16"&14"-18" back hts
1,18A,19,20B	114617S	BCK FRM 4" ADJ STD 14W ASM	4"deep towel bar-14w-fits 10"-14",12"-16"&14"-18" back hts
1,18A,19,20B	114618S	BCK FRM 4" ADJ STD 15W ASM	4"deep towel bar-15w-fits 10"-14",12"-16"&14"-18" back hts
1,18A,19,20B	114619S	BCK FRM 4" ADJ STD 16W ASM	4"deep towel bar-16w-fits 10"-14",12"-16"&14"-18" back hts
1,18A,19,20B	114620S	BCK FRM 4" ADJ STD 17W ASM	4"deep towel bar-17w-fits 10"-14",12"-16"&14"-18" back hts
1,18A,19,20B	114621S	BCK FRM 4" ADJ STD 18W ASM	4"deep towel bar-18w-fits 10"-14",12"-16"&14"-18" back hts
1,18A,19,20B	114622S	BCK FRM 4" ADJ STD 19W ASM	4"deep towel bar-19w-fits 10"-14",12"-16"&14"-18" back hts
1,18A,19,20B	114626S	BCK FRM 4" ADJ TAL 12W ASM	4"deep towel bar-12w-fits 16"-20" back hts
1,18A,19,20B	114627S	BCK FRM 4" ADJ TAL 13W ASM	4"deep towel bar-13w-fits 16"-20" back hts
1,18A,19,20B	114628S	BCK FRM 4" ADJ TAL 14W ASM	4"deep towel bar-14w-fits 16"-20" back hts
1,18A,19,20B	114629S	BCK FRM 4" ADJ TAL 15W ASM	4"deep towel bar-15w-fits 16"-20" back hts
1,18A,19,20B	114630S	BCK FRM 4" ADJ TAL 16W ASM	4"deep towel bar-16w-fits 16"-20" back hts
1,18A,19,20B	114631S	BCK FRM 4" ADJ TAL 17W ASM	4"deep towel bar-17w-fits 16"-20" back hts
1,18A,19,20B	114632S	BCK FRM 4" ADJ TAL 18W ASM	4"deep towel bar-18w-fits 16"-20" back hts
1,18A,19,20B	114633S	BCK FRM 4" ADJ TAL 19W ASM	4"deep towel bar-19w-fits 16"-20" back hts
1,18A,19,20B	114637S	BCK FRM 2" ADJ STD 12W ASM	2"deep towel bar-13w-fits 10"-14",12"-16"&14"-18" back hts
1,18A,19,20B	114638S	BCK FRM 2" ADJ STD 13W ASM	2"deep towel bar-14w-fits 10"-14",12"-16"&14"-18" back hts
1,18A,19,20B	114639S	BCK FRM 2" ADJ STD 14W ASM	2"deep towel bar-15w-fits 10"-14",12"-16"&14"-18" back hts
1,18A,19,20B	114640S	BCK FRM 2" ADJ STD 15W ASM	2"deep towel bar-16w-fits 10"-14",12"-16"&14"-18" back hts
1,18A,19,20B	114641S	BCK FRM 2" ADJ STD 16W ASM	2"deep towel bar-17w-fits 10"-14",12"-16"&14"-18" back hts
1,18A,19,20B	114642S	BCK FRM 2" ADJ STD 17W ASM	2"deep towel bar-18w-fits 10"-14",12"-16"&14"-18" back hts
1,18A,19,20B	114643S	BCK FRM 2" ADJ STD 18W ASM	2"deep towel bar-19w-fits 10"-14",12"-16"&14"-18" back hts
1,18A,19,20B	114644S	BCK FRM 2" ADJ STD 19W ASM	2"deep towel bar-19w-fits 10"-14",12"-16"&14"-18" back hts
1,18A,19,20B	114648S	BCK FRM 2" ADJ TAL 12W ASM	2"deep towel bar-13w-fits 16"-20" back hts
1,18A,19,20B	114649S	BCK FRM 2" ADJ TAL 13W ASM	2"deep towel bar-14w-fits 16"-20" back hts
1,18A,19,20B	114650S	BCK FRM 2" ADJ TAL 14W ASM	2"deep towel bar-15w-fits 16"-20" back hts
1,18A,19,20B	114651S	BCK FRM 2" ADJ TAL 15W ASM	2"deep towel bar-16w-fits 16"-20" back hts
1,18A,19,20B	114652S	BCK FRM 2" ADJ TAL 16W ASM	2"deep towel bar-17w-fits 16"-20" back hts
1,18A,19,20B	114653S	BCK FRM 2" ADJ TAL 17W ASM	2"deep towel bar-18w-fits 16"-20" back hts
1,18A,19,20B	114654S	BCK FRM 2" ADJ TAL 18W ASM	2"deep towel bar-19w-fits 16"-20" back hts
1,18A,19,20B	114655S	BCK FRM 2" ADJ TAL 19W ASM	2"deep towel bar-19w-fits 16"-20" back hts
1,18B,19,20A	114675S	BCK FRM 4" FIX 12WX8T ASM	4"deep towel bar-13w-fits 8" fixed back hts
1,18B,19,20A	114676S	BCK FRM 4" FIX 12WX9T ASM	4"deep towel bar-13w-fits 9" fixed back hts
1,18B,19,20A	114677S	BCK FRM 4" FIX 12WX10T ASM	4"deep towel bar-13w-fits 10" fixed back hts
1,18B,19,20A	114678S	BCK FRM 4" FIX 12WX11T ASM	4"deep towel bar-13w-fits 11" fixed back hts
1,18B,19,20A	114679S	BCK FRM 4" FIX 12WX12T ASM	4"deep towel bar-13w-fits 12" fixed back hts
1,18B,19,20A	114680S	BCK FRM 4" FIX 12WX13T ASM	4"deep towel bar-13w-fits 13" fixed back hts
1,18B,19,20A	114681S	BCK FRM 4" FIX 12WX14T ASM	4"deep towel bar-13w-fits 14" fixed back hts
1,18B,19,20A	114682S	BCK FRM 4" FIX 12WX15T ASM	4"deep towel bar-13w-fits 15" fixed back hts
1,18B,19,20A	114683S	BCK FRM 4" FIX 12WX16T ASM	4"deep towel bar-13w-fits 16" fixed back hts
1,18B,19,20A	114684S	BCK FRM 4" FIX 13WX8T ASM	4"deep towel bar-14w-fits 8" fixed back hts
1,18B,19,20A	114685S	BCK FRM 4" FIX 13WX9T ASM	4"deep towel bar-14w-fits 9" fixed back hts
1,18B,19,20A	114686S	BCK FRM 4" FIX 13WX10T ASM	4"deep towel bar-14w-fits 10" fixed back hts
1,18B,19,20A	114687S	BCK FRM 4" FIX 13WX11T ASM	4"deep towel bar-14w-fits 11" fixed back hts
1,18B,19,20A	114688S	BCK FRM 4" FIX 13WX12T ASM	4"deep towel bar-14w-fits 12" fixed back hts
1,18B,19,20A	114689S	BCK FRM 4" FIX 13WX13T ASM	4"deep towel bar-14w-fits 13" fixed back hts
1,18B,19,20A	114690S	BCK FRM 4" FIX 13WX14T ASM	4"deep towel bar-14w-fits 14" fixed back hts
1,18B,19,20A	114691S	BCK FRM 4" FIX 13WX15T ASM	4"deep towel bar-14w-fits 15" fixed back hts
1,18B,19,20A	114692S	BCK FRM 4" FIX 13WX16T ASM	4"deep towel bar-14w-fits 16" fixed back hts
1,18B,19,20A	114693S	BCK FRM 4" FIX 14WX8T ASM	4"deep towel bar-15w-fits 8" fixed back hts

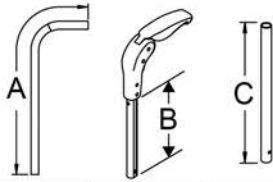
Pos.	Item Number	Description	Remarks
1,18B,19,20A	114835S	BCK FRM 2" FIX 18WX15T ASM	2"deep towel bar-19w-fits 15" fixed back hts
1,18B,19,20A	114836S	BCK FRM 2" FIX 18WX16T ASM	2"deep towel bar-19w-fits 16" fixed back hts
1,18B,19,20A	114837S	BCK FRM 2" FIX 19WX8T ASM	2"deep towel bar-20w-fits 8" fixed back hts
1,18B,19,20A	114838S	BCK FRM 2" FIX 19WX9T ASM	2"deep towel bar-20w-fits 9" fixed back hts
1,18B,19,20A	114839S	BCK FRM 2" FIX 19WX10T ASM	2"deep towel bar-20w-fits 10" fixed back hts
1,18B,19,20A	114840S	BCK FRM 2" FIX 19WX11T ASM	2"deep towel bar-20w-fits 11" fixed back hts
1,18B,19,20A	114841S	BCK FRM 2" FIX 19WX12T ASM	2"deep towel bar-20w-fits 12" fixed back hts
1,18B,19,20A	114842S	BCK FRM 2" FIX 19WX13T ASM	2"deep towel bar-20w-fits 13" fixed back hts
1,18B,19,20A	114843S	BCK FRM 2" FIX 19WX14T ASM	2"deep towel bar-20w-fits 14" fixed back hts
1,18B,19,20A	114844S	BCK FRM 2" FIX 19WX15T ASM	2"deep towel bar-20w-fits 15" fixed back hts
1,18B,19,20A	114845S	BCK FRM 2" FIX 19WX16T ASM	2"deep towel bar-20w-fits 16" fixed back hts
9	112364	Discontinued, replace with appropriate kit	
10	110159	Discontinued, replace with appropriate kit	

Note: The Q7 has 8 degrees rearward to 27 degrees forward adjustment in 5 degree increments.

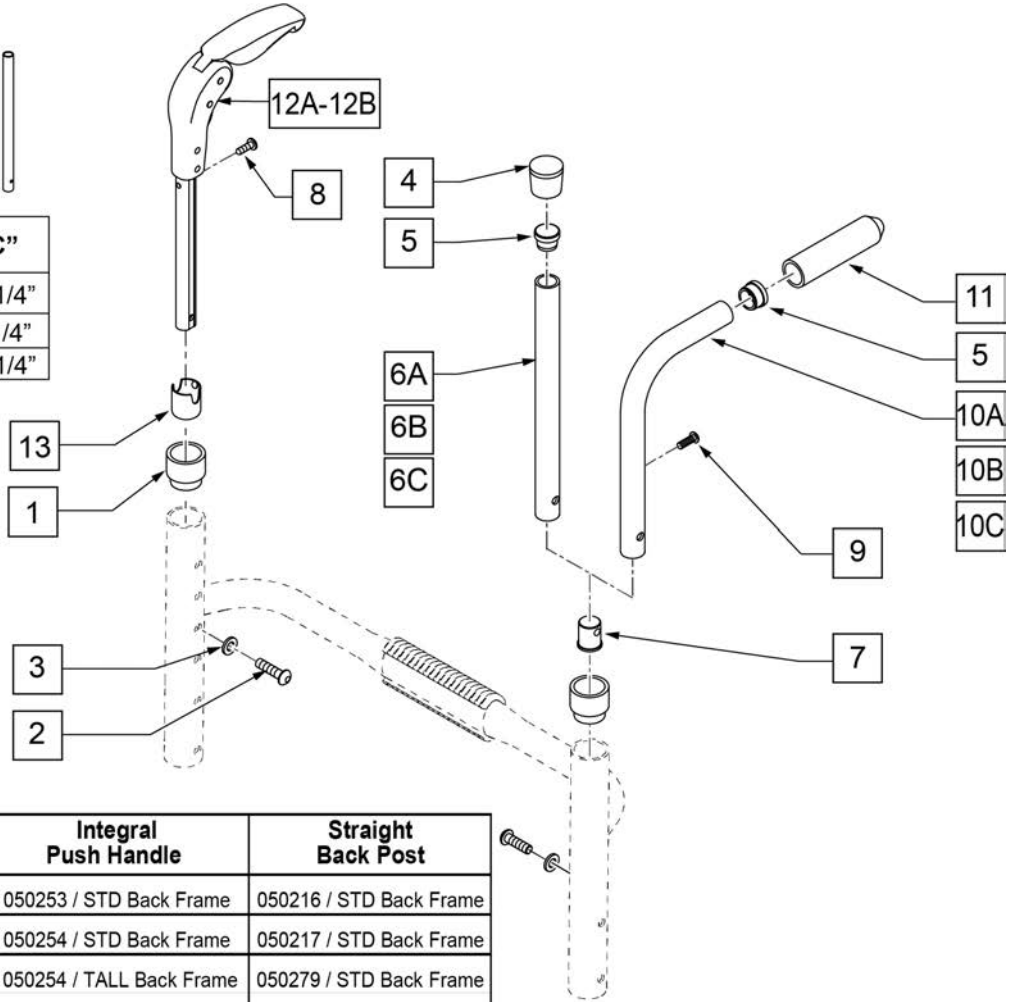
Note: When moving backrest rearward with a Depth Adjustable Back item 21 will be used as a bushing for item 12.

Note: If replacing Backrest Bracket parts for chairs built before S/N R4-018772 order p/n 114874 (N-FOLD ANGL ADJ NST BACK KIT).

MEASURING GUIDE



BACK TUBE	"A"	"B"	"C"
LOW	9"	—	7 1/4"
MED	11"	6 1/2"	9 1/4"
TALL	13"	8 1/2"	11 1/4"



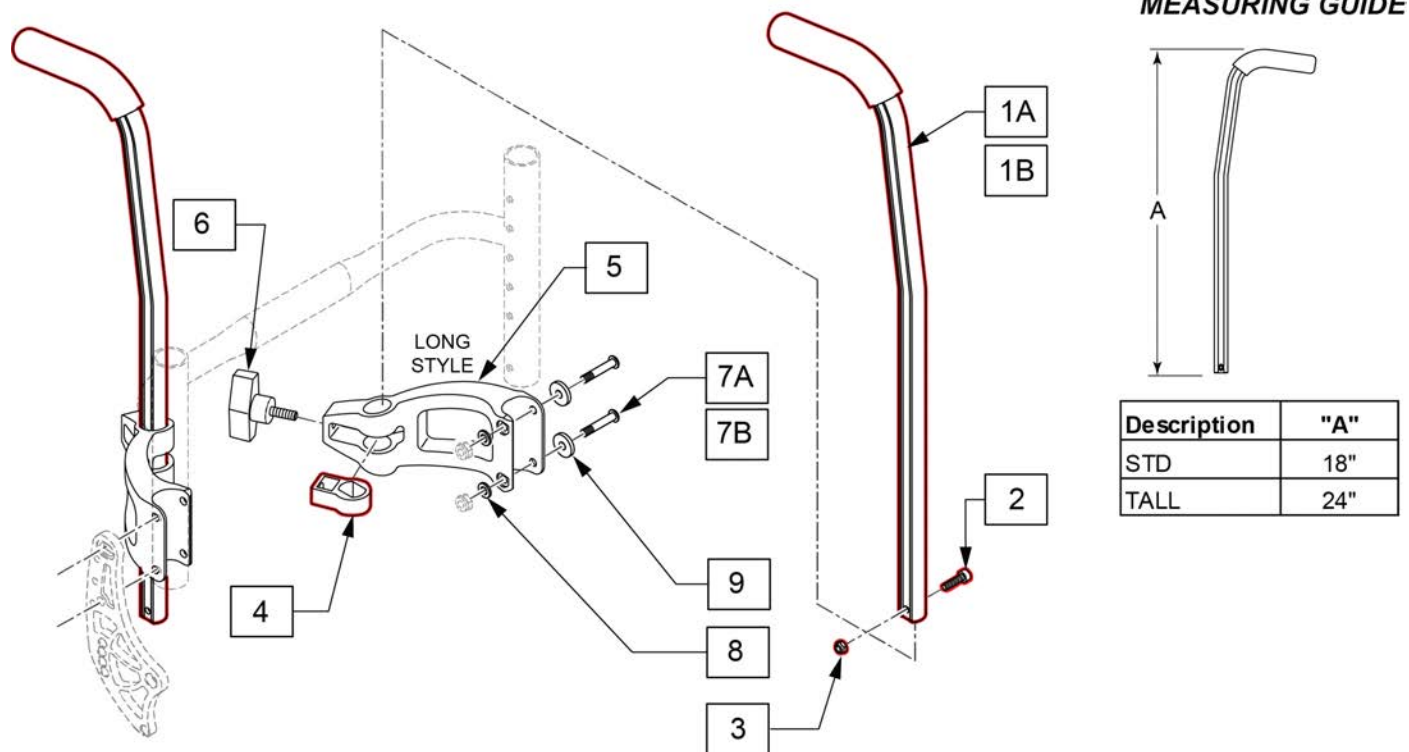
	Folding Push Handle	Integral Push Handle	Straight Back Post
Back Height 10"-14"	N/A	050253 / STD Back Frame	050216 / STD Back Frame
12"-16"	882605 / STD Back Frame	050254 / STD Back Frame	050217 / STD Back Frame
14"-18"	882606 / STD Back Frame	050254 / TALL Back Frame	050279 / STD Back Frame
16"-20"	882606 / TALL Back Frame	102093 / TALL Back Frame	102079 / TALL Back Frame

Pos.	Item Number	Description	Remarks
1	561082	1" TUBE END BUSHING THIN	
2	102262-003	BHCS M6 X 1 X 20 INORGANIC	
3	262130	M6 WASHER WAVE	
4	561010	3/4" CAP	
5	561000-QU	3/4" INSERT PLUG .083	
7	050019	PLUG BACKREST M6	
8	281127	#12 x 3/4" PAN HD PHIL S/ TAP	
9	107384	PAN HD PHIL 10/32 x 5/8 ROHS	
11	920026	QUIKIE GRIP 3/4" W/ INSTR SH	
12A	882605	FOLDING PUSH HANDLE W/ INSERT 11 -14"	See Table
12B	882606	FOLDING PUSH HANDLE W/ INSERT 12 -16"	See Table
13	104369	BUSHING BACKREST FOLDING HANDLE	
2-5,6A,7	050216	BCK ADJ TUBE RIGID STD 10"-14"	See Table
2-5,6B,7	050217	BCK ADJ TB STD 12-16/TL 14-18	See Table
2-5,6C,7	102079	BCK ADJ TUBE RIGID TL 16	See Table -16"-20"
2,3,5,7,10A,11	050253	INTEGRAL PUSH HANDLE STANDARD	See Table
2,3,5,7,10B,11	050254	INTEGRAL PUSH HANDLE MEDIUM	See Table
2,3,5,7,10C,11	102093	INTEGRAL PUSH HANDLE TALL	See Table

Note: on 8-10" wide chairs, only one Push Handle is used.

Note: After S/N RZ-010376 (Zone) and R4-025925 (Q7) the Push Handle changed from tubular to double D extrusion. For Telescoping Push Handles prior to these S/Ns replace with proper DD PH RPLCMENT KIT.

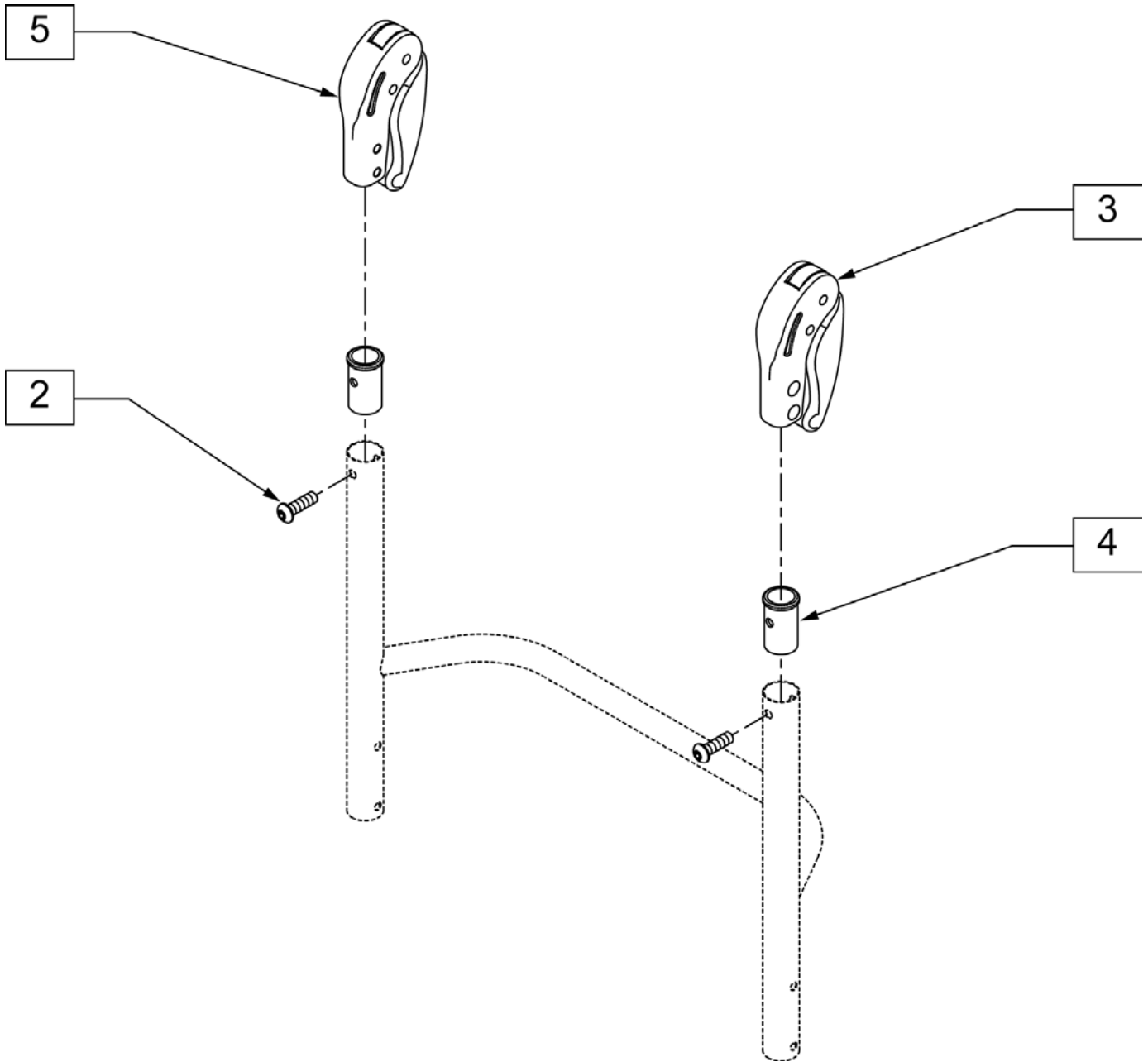
Part Changes, please see notes for important information



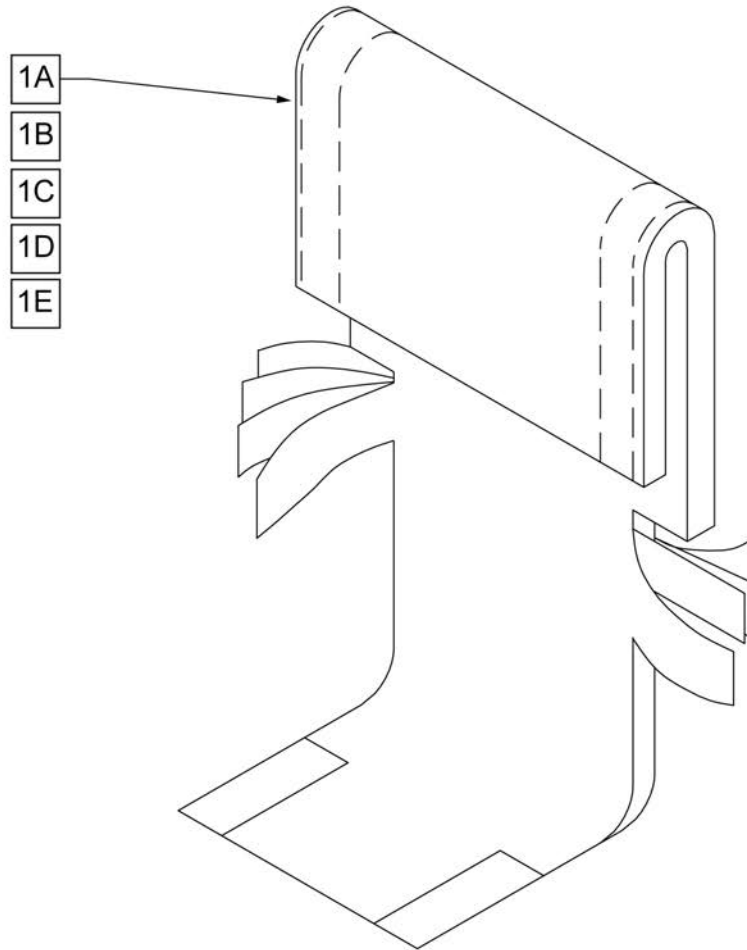
Pos.	Item Number	Description	Remarks
1-3	129370	ASSY HT ADJ PH DD TALL	For Standard PH Height
1-3	129371	ASST HT ADJ PH DD TALL	For Tall PH Height
1-4	145122	DD PH RPLCMENT KIT STD PAIR	Std Double D upgrade for existing Bolt On PH
1-4	145123	DD PH RPLCMENT KIT TALL PAIR	Tall Double D upgrade for existing Bolt On PH
1-4	145125	DD PH RPLCMENT KIT STD SINGLE	Std Double D upgrade for existing Bolt On PH, 8-11 WD
1-4	145124	DD PH RPLCMENT KIT TALL SINGLE	Tall Double D upgrade for existing Bolt On PH, 8-11 WD
2	102260-001	SHCS M5X0.8X18 FULL NP	
3	220121	NUT HEX NYLOCK M5 BLACK	
4	129349	INSERT FOR DD TUBE	
5	117074	HGT ADJ PH REC	
6	113245	1/4"-20 T-HANDLE	
7A	113320	BHCS,M6X1X40,PART,PL	Used w/ Std Back Rests
7B	058901-004	BHCS,M6X1X55,PART,PL	Used w/ Inset backrests
8	262130	6mm WAVE WASHER	
9	561026	3/4" WASHER 1/4" HOLE	Zippie Zone only
		Complete Kits	
1A,2-8	145126	BOLT ON PUSH HNDL DD STD	Pair-Double D-Std Q7
1B,2-8	145127	BOLT ON PUSH HNDL DD TALL	Pair-Double D-Tall Q7

Pos.	Item Number	Description	Remarks
1A,2-9	145128	BOLT ON PUSH DD PED STD 12-16	Pair-Double D-Std Zone 12-16 wide
1B,2-9	145129	BOLT ON PUSH DD PED TALL 12-16	Pair-Double D-Tall Zone 12-16 wide
1A,2-9	145130	BOLT ON PUSH DD PED STD 8-11	Single-Double D Std Zone 8-11 wide
1B,2-9	145131	BOLT ON PUSH DD PED TALL 8-11	Single-Double D-Tall Zone 8-11 wide

NOTE: FOR CHAIRS BUILT PRIOR TO JANUARY 2005 BOTH PUSH HANDLES NEED TO BE REPLACED DUE TO DESIGN CHANGE.

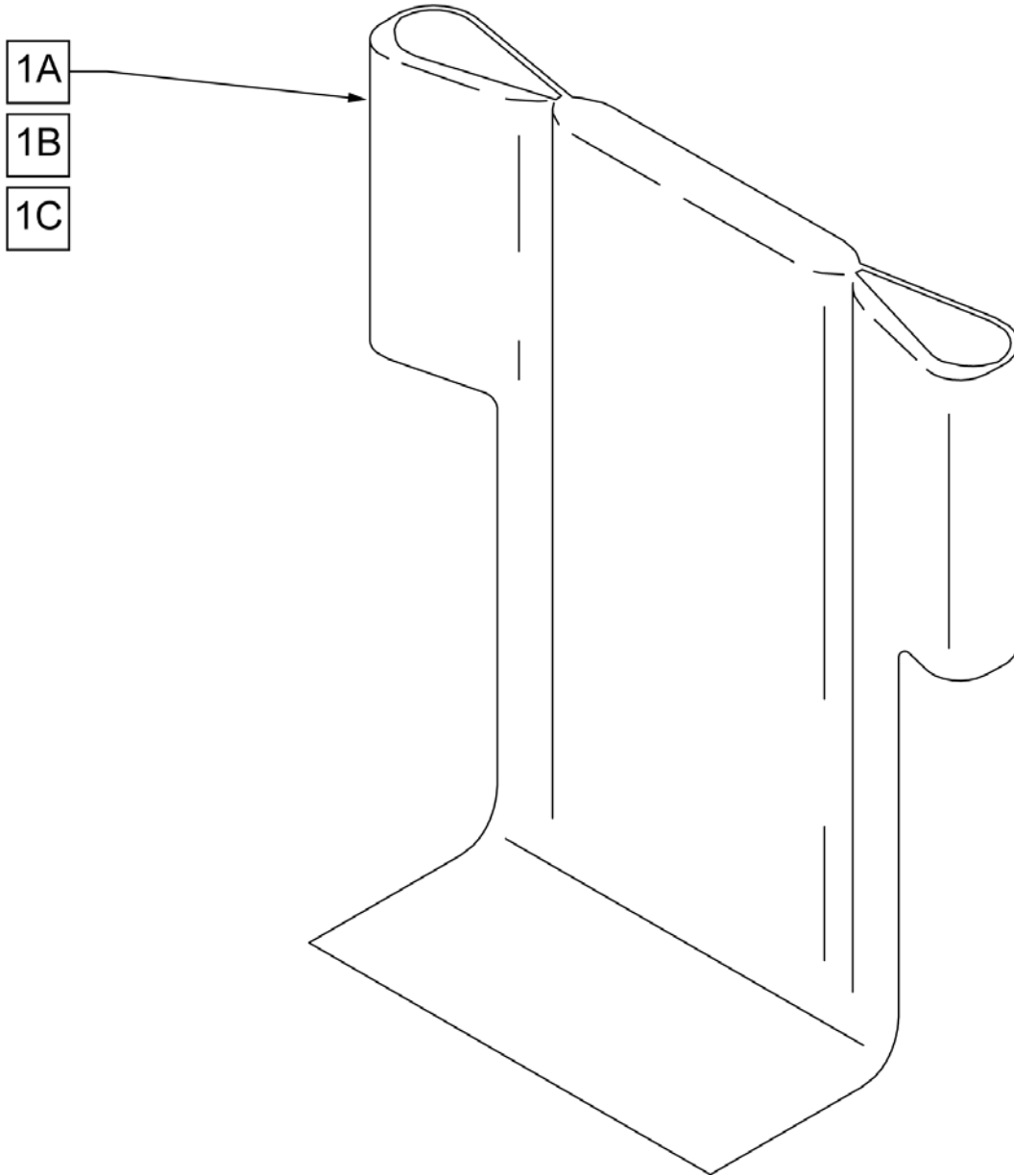


Pos.	Item Number	Description
2	230116	BHCS M6 x 1 x 30mm W/ PL
3	882604	FOLDING PUSH HANDLE W/ INSERT FIXED HEIGHT
4	520148	ADAPTER FOLDING PUSH HANDLE
2-5	900164	FOLDING PUSH HANDLE W/ INSERT FIXED HEIGHT



Pos.	Item Number	Description	Remarks
1A	680212	BACK UPH 12" 8-12" W/TAIL	(12" WIDE) 8-12" for Ht Adj Back & 8,9,10" for Fixed Back Hts
1A	680213	BACK UPH 13" 8-12" W/TAIL	(13" WIDE) 8-12" for Ht Adj Back & 8,9,10" for Fixed Back Hts
1A	680308	BACK UPH 14" 8-12" W/TAIL	(14" WIDE) 8-12" for Ht Adj Back & 8,9,10" for Fixed Back Hts
1A	680408	BACK UPH 15" 8-12" W/TAIL	(15" WIDE) 8-12" for Ht Adj Back & 8,9,10" for Fixed Back Hts
1A	680508	BACK UPH 16" 8-12" W/TAIL	(16" WIDE) 8-12" for Ht Adj Back & 8,9,10" for Fixed Back Hts
1A	680608	BACK UPH 17" 8-12" W/TAIL	(17" WIDE) 8-12" for Ht Adj Back & 8,9,10" for Fixed Back Hts
1A	680708	BACK UPH 18" 8-12" W/TAIL	(18" WIDE) 8-12" for Ht Adj Back & 8,9,10" for Fixed Back Hts
1A	680808	BACK UPH 19" 8-12" W/TAIL	(19" WIDE) 8-12" for Ht Adj Back & 8,9,10" for Fixed Back Hts
1B	680208	BACK UPH 12" 11-15" W/ TAIL	(12" WIDE) 10-14" for Ht Adj Back & 11" for Fixed Back Hts
1B	680201	BACK UPH 13" 11-15" W/ TAIL	(13" WIDE) 10-14" for Ht Adj Back & 11" for Fixed Back Hts
1B	680301	BACK UPH 14" 11-15" W/ TAIL	(14" WIDE) 10-14" for Ht Adj Back & 11" for Fixed Back Hts
1B	680401	BACK UPH 15" 11-15" W/ TAIL	(15" WIDE) 10-14" for Ht Adj Back & 11" for Fixed Back Hts
1B	680501	BACK UPH 16" 11-15" W/ TAIL	(16" WIDE) 10-14" for Ht Adj Back & 11" for Fixed Back Hts
1B	680601	BACK UPH 17" 11-15" W/ TAIL	(17" WIDE) 10-14" for Ht Adj Back & 11" for Fixed Back Hts
1B	680701	BACK UPH 18" 11-15" W/ TAIL	(18" WIDE) 10-14" for Ht Adj Back & 11" for Fixed Back Hts
1B	680801	BACK UPH 19" 11-15" W/ TAIL	(19" WIDE) 10-14" for Ht Adj Back & 11" for Fixed Back Hts
1B	680901	BACK UPH 20" 11-15" W/ TAIL	(20" WIDE) 10-14" for Ht Adj Back & 11" for Fixed Back Hts
1C	680209	BACK UPH 12" 12-16" W/ TAIL	(12" WIDE) 12 -16" for Ht Adj Back & 12"&13" for Fixed Back Hts

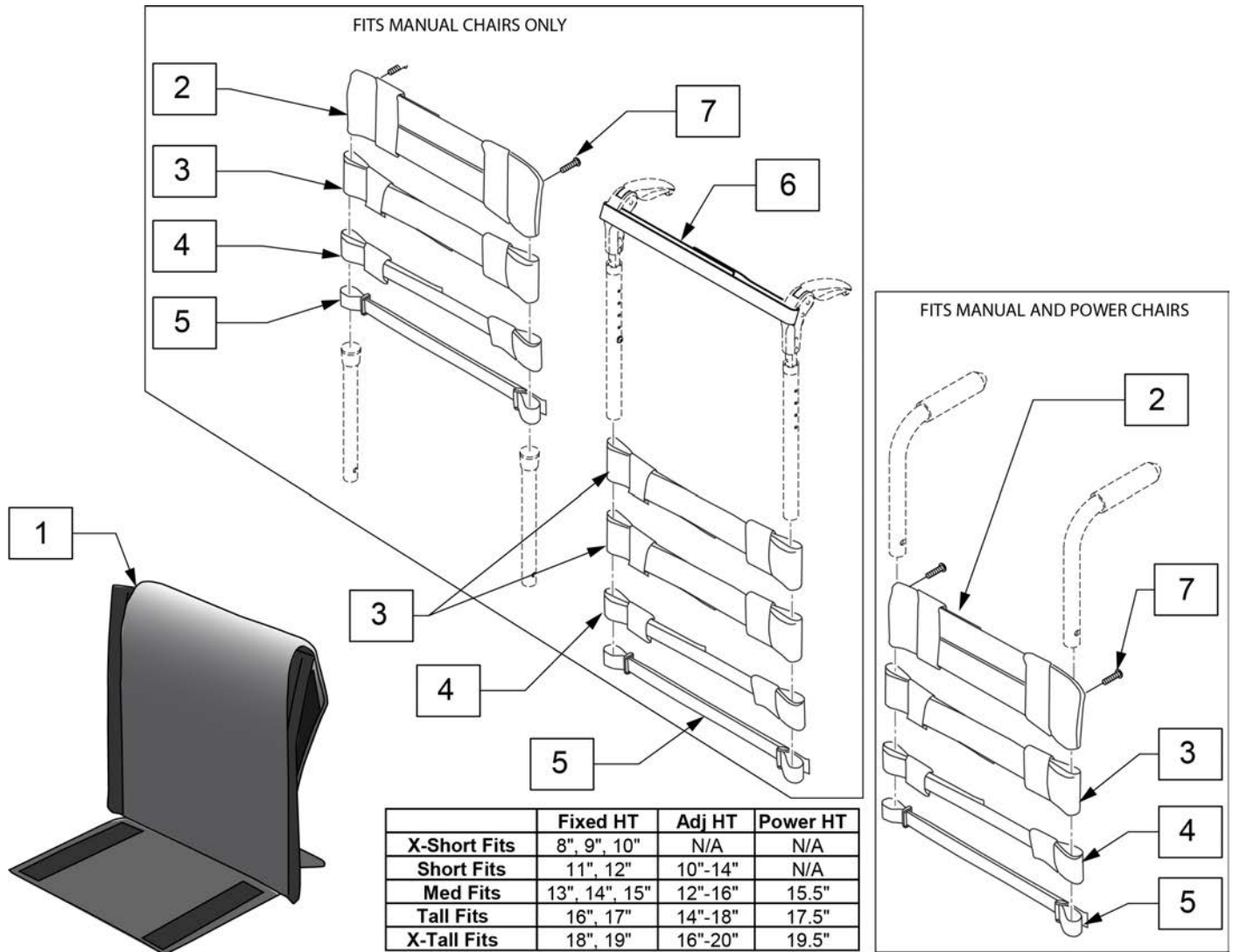
Pos.	Item Number	Description	Remarks
1C	680203	BACK UPH 13" 12-16" W/ TAIL	(13" WIDE) 12 -16" for Ht Adj Back & 12"&13" for Fixed Back Hts
1C	680303	BACK UPH 14" 12-16" W/ TAIL	(14" WIDE) 12 -16" for Ht Adj Back & 12"&13" for Fixed Back Hts
1C	680403	BACK UPH 15" 12-16" W/ TAIL	(15" WIDE) 12 -16" for Ht Adj Back & 12"&13" for Fixed Back Hts
1C	680503	BACK UPH 16" 12-16" W/ TAIL	(16" WIDE) 12 -16" for Ht Adj Back & 12"&13" for Fixed Back Hts
1C	680603	BACK UPH 17" 12-16" W/ TAIL	(17" WIDE) 12 -16" for Ht Adj Back & 12"&13" for Fixed Back Hts
1C	680703	BACK UPH 18" 12-16" W/ TAIL	(18" WIDE) 12 -16" for Ht Adj Back & 12"&13" for Fixed Back Hts
1C	680803	BACK UPH 19" 12-16" W/ TAIL	(19" WIDE) 12 -16" for Ht Adj Back & 12"&13" for Fixed Back Hts
1C	680903	BACK UPH 20" 12-16" W/ TAIL	(20" WIDE) 12 -16" for Ht Adj Back & 12"&13" for Fixed Back Hts
1D	680210	BACK UPH 12" 14-18" W/ TAIL	(12" WIDE) 14 -18" for Ht Adj Back & 14,15,16" for Fixed Back Hts
1D	680205	BACK UPH 13" 14-18" W/ TAIL	(13" WIDE) 14 -18" for Ht Adj Back & 14,15,16" for Fixed Back Hts
1D	680305	BACK UPH 14" 14-18" W/ TAIL	(14" WIDE) 14 -18" for Ht Adj Back & 14,15,16" for Fixed Back Hts
1D	680405	BACK UPH 15" 14-18" W/ TAIL	(15" WIDE) 14 -18" for Ht Adj Back & 14,15,16" for Fixed Back Hts
1D	680505	BACK UPH 16" 14-18" W/ TAIL	(16" WIDE) 14 -18" for Ht Adj Back & 14,15,16" for Fixed Back Hts
1D	680605	BACK UPH 17" 14-18" W/ TAIL	(17" WIDE) 14 -18" for Ht Adj Back & 14,15,16" for Fixed Back Hts
1D	680705	BACK UPH 18" 14-18" W/ TAIL	(18" WIDE) 14 -18" for Ht Adj Back & 14,15,16" for Fixed Back Hts
1D	680805	BACK UPH 19" 14-18" W/ TAIL	(19" WIDE) 14 -18" for Ht Adj Back & 14,15,16" for Fixed Back Hts
1D	680905	BACK UPH 20" 14-18" W/ TAIL	(20" WIDE) 14 -18" for Ht Adj Back & 14,15,16" for Fixed Back Hts
1E	680211	BACK UPH 12" 16-20" W/ TAIL	(12" WIDE) 16 -20" for Ht Adj Back & 17,18,19" for Fixed Back Hts
1E	680207	BACK UPH 13" 16-20" W/ TAIL	(13" WIDE) 16 -20" for Ht Adj Back & 17,18,19" for Fixed Back Hts
1E	680307	BACK UPH 14" 16-20" W/ TAIL	(14" WIDE) 16 -20" for Ht Adj Back & 17,18,19" for Fixed Back Hts
1E	680407	BACK UPH 15" 16-20" W/ TAIL	(15" WIDE) 16 -20" for Ht Adj Back & 17,18,19" for Fixed Back Hts
1E	680507	BACK UPH 16" 16-20" W/ TAIL	(16" WIDE) 16 -20" for Ht Adj Back & 17,18,19" for Fixed Back Hts
1E	680607	BACK UPH 17" 16-20" W/ TAIL	(17" WIDE) 16 -20" for Ht Adj Back & 17,18,19" for Fixed Back Hts
1E	680707	BACK UPH 18" 16-20" W/ TAIL	(18" WIDE) 16 -20" for Ht Adj Back & 17,18,19" for Fixed Back Hts
1E	680807	BACK UPH 19" 16-20" W/ TAIL	(19" WIDE) 16 -20" for Ht Adj Back & 17,18,19" for Fixed Back Hts
1E	680907S	BACK UPH CUSTOM Q1/GP F BCK	(20" WIDE) 16 -20" for Ht Adj Back & 17,18,19" for Fixed Back Hts



Pos.	Item Number	Description	Remarks
1A	680442	BACK UPH 12" 11-14/12-16 RDG	10 -14" & 12 -16" BACK HEIGHT
1A	680443	BACK UPH 13" 11-14/12-16 RDG	10 -14" & 12 -16" BACK HEIGHT
1A	680454	BACK UPH 14" 11-14/12-16 RDG	10 -14" & 12 -16" BACK HEIGHT
1A	680455	BACK UPH 15" 11-14/12-16 RDG	10 -14" & 12 -16" BACK HEIGHT
1A	680456	BACK UPH 16" 11-14/12-16 RDG	10 -14" & 12 -16" BACK HEIGHT
1A	680457	BACK UPH 17" 11-14/12-16 RDG	10 -14" & 12 -16" BACK HEIGHT
1A	680458	BACK UPH 18" 11-14/12-16 RDG	10 -14" & 12 -16" BACK HEIGHT
1A	680459	BACK UPH 19" 11-14/12-16 RDG	10 -14" & 12 -16" BACK HEIGHT
1A	680460	BACK UPH 20" 11-14/12-16 RDG	10 -14" & 12 -16" BACK HEIGHT

Pos.	Item Number	Description	Remarks
1B	680462	BACK UPH 12" 14-18 RDG	14 -18" BACK HEIGHT
1B	680463	BACK UPH 13" 14-18 RDG	14 -18" BACK HEIGHT
1B	680464	BACK UPH 14" 14-18 RDG	14 -18" BACK HEIGHT
1B	680465	BACK UPH 15" 14-18 RDG	14 -18" BACK HEIGHT
1B	680466	BACK UPH 16" 14-18 RDG	14 -18" BACK HEIGHT
1B	680467	BACK UPH 17" 14-18 RDG	14 -18" BACK HEIGHT
1B	680468	BACK UPH 18" 14-18 RDG	14 -18" BACK HEIGHT
1B	680469	BACK UPH 19" 14-18 RDG	14 -18" BACK HEIGHT
1B	680470	BACK UPH 20" 14-18 RDG	14 -18" BACK HEIGHT
1C	680472	BACK UPH 12" 16-20 RDG	16 -20" BACK HEIGHT
1C	680473	BACK UPH 13" 16-20 RDG	16 -20" BACK HEIGHT
1C	680474	BACK UPH 14" 16-20 RDG	16 -20" BACK HEIGHT
1C	680475	BACK UPH 15" 16-20 RDG	16 -20" BACK HEIGHT
1C	680476	BACK UPH 16" 16-20 RDG	16 -20" BACK HEIGHT
1C	680477	BACK UPH 17" 16-20 RDG	16 -20" BACK HEIGHT
1C	680478	BACK UPH 18" 16-20 RDG	16 -20" BACK HEIGHT
1C	680479	BACK UPH 19" 16-20 RDG	16 -20" BACK HEIGHT
1C	680480	BACK UPH 20" 16-20 RDG	16 -20" BACK HEIGHT

Note: Each back height uses a different variation of back straps, replacement strap kits contain more straps than needed to support all back heights.

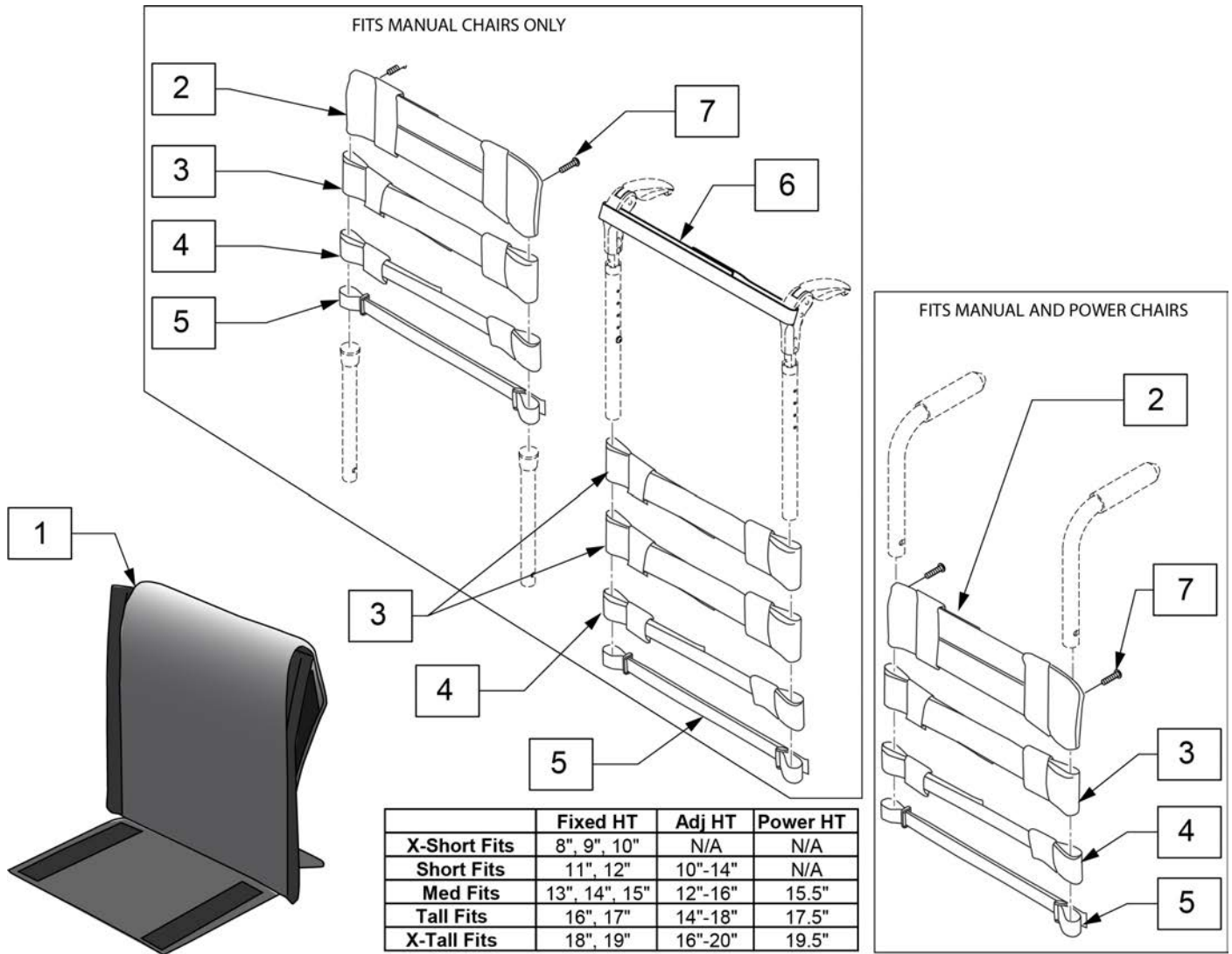


Pos.	Item Number	Description	Remarks
2	113712	TOP CAP, STD, 11 -12"	Used for omit push handle & Integral Push Handle only
2	113713	TOP CAP, STD, 13 -14"	Used for omit push handle & Integral Push Handle only
2	113714	TOP CAP, STD, 15 -16"	Used for omit push handle & Integral Push Handle only
2	113715	TOP CAP, STD, 17 -18"	Used for omit push handle & Integral Push Handle only
2	113716	TOP CAP, STD, 19 -20"	Used for omit push handle & Integral Push Handle only
3	113727	STRAP PADDED 2", 11 -12"	
3	113728	STRAP PADDED 2", 13 -14"	
3	113729	STRAP PADDED 2", 15 -16"	
3	113730	STRAP PADDED 2", 17 -18"	
3	113731	STRAP PADDED 2", 19 -20"	
4	113732	STRAP PADDED 1", 11 -12"	
4	113733	STRAP PADDED 1", 13 -14"	
4	113734	STRAP PADDED 1", 15 -16"	
4	113735	STRAP PADDED 1", 16 -17"	

Pos.	Item Number	Description	Remarks
4	113736	STRAP PADDED 1", 18 -19"	
5	113718	POSITION STRAP 1", 11 -12	
5	113719	POSITION STRAP 1", 13 -14	
5	113720	POSITION STRAP 1", 15 -16	
5	113721	POSITION STRAP 1", 17 -18	
5	113722	POSITION STRAP 1", 19 -20	
6	052435-001	UPH,VNTD ADJ.,FPH STRP,12-13"W	Fold Down Push Handles only
6	052435-002	UPH,VNTD ADJ.,FPH STRP,14-15"W	Fold Down Push Handles only
6	052435-003	UPH,VNTD ADJ.,FPH STRP,16-17"W	Fold Down Push Handles only
6	052435-004	UPH,VNTD ADJ.,FPH STRP,18-20"W	Fold Down Push Handles only
7	107384	PAN HD PHIL 10/32 X 5/8 ROHS	
2-7	114879	ADJ UPH 11-12W STRAP KIT	
2-7	114880	ADJ UPH 13-14W STRAP KIT	
2-7	114881	ADJ UPH 15-16W STRAP KIT	
2-7	114882	ADJ UPH 17-18W STRAP KIT	
2-7	114883	ADJ UPH 19-20W STRAP KIT	
1A-7	113321-001	ADJ UP 12W X-SHT ASM	
1B-7	113321-002	ADJ UP 12W SHT ASM	
1C-7	113321-003	ADJ UP 12W MED ASM	
1D-7	113321-004	ADJ UP 12W TAL ASM	
1E-7	113321-005	ADJ UP 12W X-TAL ASM	
1A-7	113321-006	ADJ UP 13W X-SHT ASM	
1B-7	113321-007	ADJ UP 13W SHT ASM	
1C-7	113321-008	ADJ UP 13W MED ASM	
1D-7	113321-009	ADJ UP 13W TAL ASM	
1E-7	113321-010	ADJ UP 13W X-TAL ASM	
1A-7	113321-011	ADJ UP 14W X-SHT ASM	
1B-7	113321-012	ADJ UP 14W SHT ASM	
1C-7	113321-013	ADJ UP 14W MED ASM	
1D-7	113321-014	ADJ UP 14W TAL ASM	
1E-7	113321-015	ADJ UP 14W X-TAL ASM	
1A-7	113321-016	ADJ UP 15W X-SHT ASM	
1B-7	113321-017	ADJ UP 15W SHT ASM	
1C-7	113321-018	ADJ UP 15W MED ASM	
1D-7	113321-019	ADJ UP 15W TAL ASM	
1E-7	113321-020	ADJ UP 15W X-TAL ASM	
1A-7	113321-021	ADJ UP 16W X-SHT ASM	
1B-7	113321-022	ADJ UP 16W SHT ASM	
1C-7	113321-023	ADJ UP 16W MED ASM	
1D-7	113321-024	ADJ UP 16W TAL ASM	
1E-7	113321-025	ADJ UP 16W X-TAL ASM	
1A-7	113321-026	ADJ UP 17W X-SHT ASM	
1B-7	113321-027	ADJ UP 17W SHT ASM	
1C-7	113321-028	ADJ UP 17W MED ASM	
1D-7	113321-029	ADJ UP 17W TAL ASM	
1E-7	113321-030	ADJ UP 17W X-TAL ASM	
1A-7	113321-031	ADJ UP 18W X-SHT ASM	
1B-7	113321-032	ADJ UP 18W SHT ASM	
1C-7	113321-033	ADJ UP 18W MED ASM	
1D-7	113321-034	ADJ UP 18W TAL ASM	
1E-7	113321-035	ADJ UP 18W X-TAL ASM	
1A-7	113321-036	ADJ UP 19W X-SHT ASM	
1B-7	113321-037	ADJ UP 19W SHT ASM	
1C-7	113321-038	ADJ UP 19W MED ASM	
1D-7	113321-039	ADJ UP 19W TAL ASM	
1E-7	113321-040	ADJ UP 19W X-TAL ASM	
1A-7	113321-041	ADJ UP 20W X-SHT ASM	

Pos.	Item Number	Description	Remarks
1B-7	113321-042	ADJ UP 20W SHT ASM	
1C-7	113321-043	ADJ UP 20W MED ASM	
1D-7	113321-044	ADJ UP 20W TAL ASM	
1E-7	113321-045	ADJ UP 20W X-TAL ASM	

Note: Each back height uses a different variation of back straps, replacement strap kits contain more straps than needed to support all back heights.



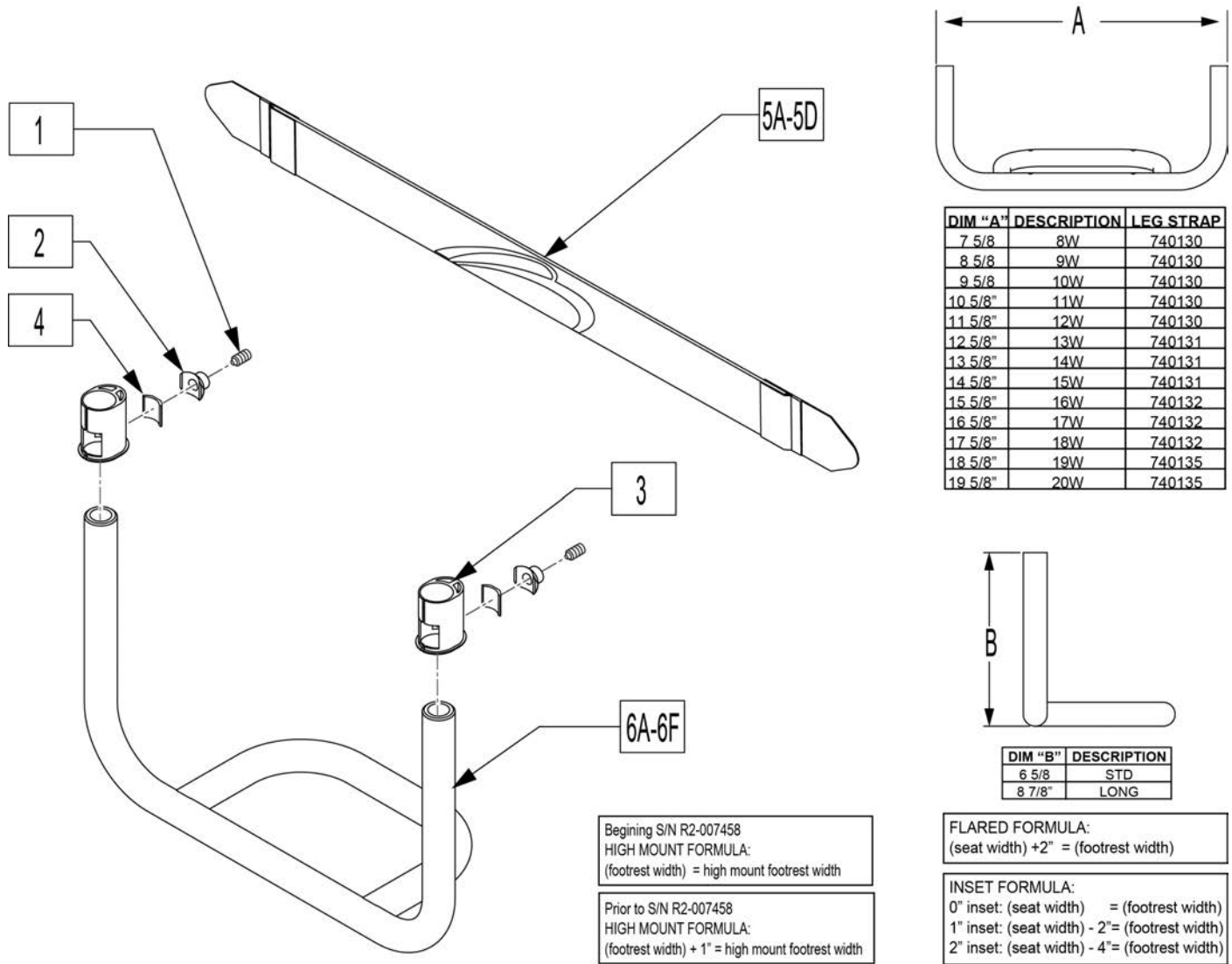
Pos.	Item Number	Description	Remarks
2	113712	TOP CAP, STD, 11 -12"	Used for omit push handle & Integral Push Handle only
2	113713	TOP CAP, STD, 13 -14"	Used for omit push handle & Integral Push Handle only
2	113714	TOP CAP, STD, 15 -16"	Used for omit push handle & Integral Push Handle only
2	113715	TOP CAP, STD, 17 -18"	Used for omit push handle & Integral Push Handle only
2	113716	TOP CAP, STD, 19 -20"	Used for omit push handle & Integral Push Handle only
3	113727	STRAP PADDED 2", 11 -12"	
3	113728	STRAP PADDED 2", 13 -14"	
3	113729	STRAP PADDED 2", 15 -16"	
3	113730	STRAP PADDED 2", 17 -18"	
3	113731	STRAP PADDED 2", 19 -20"	
4	113732	STRAP PADDED 1", 11 -12"	
4	113733	STRAP PADDED 1", 13 -14"	
4	113734	STRAP PADDED 1", 15 -16"	
4	113735	STRAP PADDED 1", 16 -17"	

Pos.	Item Number	Description	Remarks
4	113736	STRAP PADDED 1", 18 -19"	
5	113717	POSITION STRAP 1", 11 -12	
5	113718	POSITION STRAP 1", 13 -14	
5	113719	POSITION STRAP 1", 15 -16	
5	113720	POSITION STRAP 1", 17 -18	
5	113721	POSITION STRAP 1", 19 -20	
6	052435-001	UPH,VNTD ADJ.,FPH STRP,12-13"W	Fold Down Push Handles only
6	052435-002	UPH,VNTD ADJ.,FPH STRP,14-15"W	Fold Down Push Handles only
6	052435-003	UPH,VNTD ADJ.,FPH STRP,16-17"W	Fold Down Push Handles only
6	052435-004	UPH,VNTD ADJ.,FPH STRP,18-20"W	Fold Down Push Handles only
7	107384	PAN HD PHIL 10/32 X 5/8 ROHS	
2-7	114879	ADJ UPH 11-12W STRAP KIT	
2-7	114880	ADJ UPH 13-14W STRAP KIT	
2-7	114881	ADJ UPH 15-16W STRAP KIT	
2-7	114882	ADJ UPH 17-18W STRAP KIT	
2-7	114883	ADJ UPH 19-20W STRAP KIT	
1A-7	113322-001	VNT ADJ UP 12W X-SHT ASM	
1B-7	113322-002	VNT ADJ UP 12W SHT ASM	
1C-7	113322-003	VNT ADJ UP 12W MED ASM	
1D-7	113322-004	VNT ADJ UP 12W TAL ASM	
1E-7	113322-005	VNT ADJ UP 12W X-TAL ASM	
1A-7	113322-006	VNT ADJ UP 13W X-SHT ASM	
1B-7	113322-007	VNT ADJ UP 13-W SHT ASM	
1C-7	113322-008	VNT ADJ UP 13W MED ASM	
1D-7	113322-009	VNT ADJ UP 13W TAL ASM	
1E-7	113322-010	VNT ADJ UP 13W X-TAL ASM	
1A-7	113322-011	VNT ADJ UP 14W X-SHT ASM	
1B-7	113322-012	VNT ADJ UP 14W SHT ASM	
1C-7	113322-013	VNT ADJ UP 14W MED ASM	
1D-7	113322-014	VNT ADJ UP 14W TAL ASM	
1E-7	113322-015	VNT ADJ UP 14W X-TAL ASM	
1A-7	113322-016	VNT ADJ UP 15W X-SHT ASM	
1B-7	113322-017	VNT ADJ UP 15W SHT ASM	
1C-7	113322-018	VNT ADJ UP 15W MED ASM	
1D-7	113322-019	VNT ADJ UP 15W TAL ASM	
1E-7	113322-020	VNT ADJ UP 15W X-TAL ASM	
1A-7	113322-021	VNT ADJ UP 16W X-SHT ASM	
1B-7	113322-022	VNT ADJ UP 16W SHT ASM	
1C-7	113322-023	VNT ADJ UP 16W MED ASM	
1D-7	113322-024	VNT ADJ UP 16W TAL ASM	
1E-7	113322-025	VNT ADJ UP 16W X-TAL ASM	
1A-7	113322-026	VNT ADJ UP 17W X-SHT ASM	
1B-7	113322-027	VNT ADJ UP 17W SHT ASM	
1C-7	113322-028	VNT ADJ UP 17W MED ASM	
1D-7	113322-029	VNT ADJ UP 17W TAL ASM	
1E-7	113322-030	VNT ADJ UP 17W X-TAL ASM	
1A-7	113322-031	VNT ADJ UP 18W X-SHT ASM	
1B-7	113322-032	VNT ADJ UP 18W SHT ASM	
1C-7	113322-033	VNT ADJ UP 18W MED ASM	
1D-7	113322-034	VNT ADJ UP 18W TAL ASM	
1E-7	113322-035	VNT ADJ UP 18W X-TAL ASM	
1A-7	113322-036	VNT ADJ UP 19W X-SHT ASM	
1B-7	113322-037	VNT ADJ UP 19W SHT ASM	
1C-7	113322-038	VNT ADJ UP 19W MED ASM	
1D-7	113322-039	VNT ADJ UP 19W TAL ASM	
1E-7	113322-040	VNT ADJ UP 19W X-TAL ASM	
1A-7	113322-041	VNT ADJ UP 20W X-SHT ASM	

Pos.	Item Number	Description	Remarks
1B-7	113322-042	VNT ADJ UP 20W SHT ASM	
1C-7	113322-043	VNT ADJ UP 20W MED ASM	
1D-7	113322-044	VNT ADJ UP 20W TAL ASM	
1E-7	113322-045	VNT ADJ UP 20W X-TAL ASM	

Note: in order to prevent deformation of the Footrest Tube do not over tighten Item (1). Max torque is 62 inch pounds.

Note: For High Mount Footrest Clamp part numbers please refer to the High Mount Footrest Clamp parts manual page.



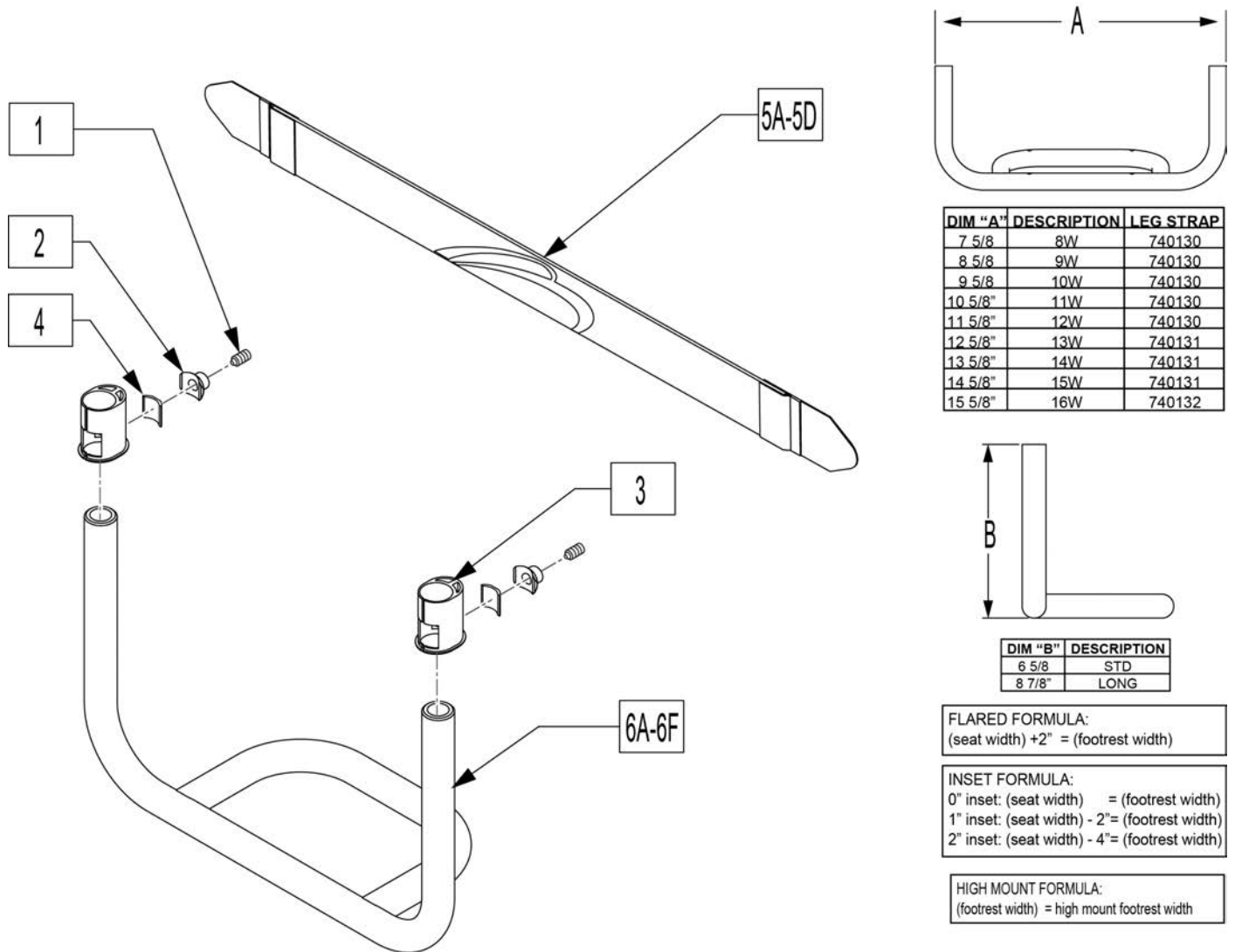
Pos.	Item Number	Description	Remarks
1	112339	FLT PT SS M8X1.25X8	
2	112648	FOOTREST NUT	
3	112651	KEY CLAMP, 19MM	
4	112348	FOOTREST BUSHING OVAL TO ROUND	
1-4	114934	FTRST MOUNT KIT	
5A	113255	LEG STRAP 11"-12" BLK	
5B	113256	LEG STRAP 13"-15" BLK	
5C	113257	LEG STRAP 16"-18" BLK	
5D	113258	LEG STRAP 19"-20" BLK	
1-4,5A,6D	114935	TBLAR FTRST 75FA 10W LNG KIT	Q7 only-Frame angle A

Pos.	Item Number	Description	Remarks
1-4,5A,6A	114936	TBLAR FTRST 75FA 10W STD KIT	Q7 only-Frame angle A
1-4,5A,6D	114937	TBLAR FTRST 75FA 11W LNG KIT	Q7 only-Frame angle A
1-4,5A,6A	114938	TBLAR FTRST 75FA 11W STD KIT	Q7 only-Frame angle A
1-4,5A,6D	114939	TBLAR FTRST 75FA 12W LNG KIT	Q7 only-Frame angle A
1-4,5A,6A	114940	TBLAR FTRST 75FA 12W STD KIT	Q7 only-Frame angle A
1-4,5B,6D	114941	TBLAR FTRST 75FA 13W LNG KIT	Q7 only-Frame angle A
1-4,5B,6A	114942	TBLAR FTRST 75FA 13W STD KIT	Q7 only-Frame angle A
1-4,5B,6D	114943	TBLAR FTRST 75FA 14W LNG KIT	Q7 only-Frame angle A
1-4,5B,6A	114944	TBLAR FTRST 75FA 14W STD KIT	Q7 only-Frame angle A
1-4,5B,6D	114945	TBLAR FTRST 75FA 15W LNG KIT	Q7 only-Frame angle A
1-4,5B,6A	114946	TBLAR FTRST 75FA 15W STD KIT	Q7 only-Frame angle A
1-4,5C,6D	114947	TBLAR FTRST 75FA 16W LNG KIT	Q7 only-Frame angle A
1-4,5C,6A	114948	TBLAR FTRST 75FA 16W STD KIT	Q7 only-Frame angle A
1-4,5C,6D	114949	TBLAR FTRST 75FA 17W LNG KIT	Q7 only-Frame angle A
1-4,5C,6A	114950	TBLAR FTRST 75FA 17W STD KIT	Q7 only-Frame angle A
1-4,5C,6D	114951	TBLAR FTRST 75FA 18W LNG KIT	Q7 only-Frame angle A
1-4,5C,6A	114952	TBLAR FTRST 75FA 18W STD KIT	Q7 only-Frame angle A
1-4,5D,6D	114953	TBLAR FTRST 75FA 19W LNG KIT	Q7 only-Frame angle A
1-4,5D,6A	114954	TBLAR FTRST 75FA 19W STD KIT	Q7 only-Frame angle A
1-4,5D,6D	114955	TBLAR FTRST 75FA 20W LNG KIT	Q7 only-Frame angle A
1-4,5D,6A	114956	TBLAR FTRST 75FA 20W STD KIT	Q7 only-Frame angle A
1-4,5A,6G	116845	TBLAR FTRST 80FA 8W STD KIT	Zippie Zone only
1-4,5A,6G	116844	TBLAR FTRST 80FA 8W LNG KIT	Zippie Zone only
1-4,5A,6G	116847	TBLAR FTRST 80FA 9W STD KIT	Zippie Zone only
1-4,5A,6G	116846	TBLAR FTRST 80FA 9W LNG KIT	Zippie Zone only
1-4,5A,6E	114957	TBLAR FTRST 80FA 10W LNG KIT	Frame angle B
1-4,5A,6B	114958	TBLAR FTRST 80FA 10W STD KIT	Frame angle B
1-4,5A,6E	114959	TBLAR FTRST 80FA 11W LNG KIT	Frame angle B
1-4,5A,6B	114960	TBLAR FTRST 80FA 11W STD KIT	Frame angle B
1-4,5A,6E	114961	TBLAR FTRST 80FA 12W LNG KIT	Frame angle B
1-4,5A,6B	114962	TBLAR FTRST 80FA 12W STD KIT	Frame angle B
1-4,5B,6E	114963	TBLAR FTRST 80FA 13W LNG KIT	Frame angle B
1-4,5B,6B	114964	TBLAR FTRST 80FA 13W STD KIT	Frame angle B
1-4,5B,6E	114965	TBLAR FTRST 80FA 14W LNG KIT	Frame angle B
1-4,5B,6B	114966	TBLAR FTRST 80FA 14W STD KIT	Frame angle B
1-4,5B,6E	114967	TBLAR FTRST 80FA 15W LNG KIT	Frame angle B
1-4,5B,6B	114968	TBLAR FTRST 80FA 15W STD KIT	Frame angle B
1-4,5C,6E	114969	TBLAR FTRST 80FA 16W LNG KIT	Frame angle B
1-4,5C,6B	114970	TBLAR FTRST 80FA 16W STD KIT	Frame angle B
1-4,5C,6E	114971	TBLAR FTRST 80FA 17W LNG KIT	Frame angle B
1-4,5C,6B	114972	TBLAR FTRST 80FA 17W STD KIT	Frame angle B
1-4,5C,6E	114973	TBLAR FTRST 80FA 18W LNG KIT	Frame angle B
1-4,5C,6B	114974	TBLAR FTRST 80FA 18W STD KIT	Frame angle B
1-4,5D,6E	114975	TBLAR FTRST 80FA 19W LNG KIT	Frame angle B
1-4,5D,6B	114976	TBLAR FTRST 80FA 19W STD KIT	Frame angle B
1-4,5D,6E	114977	TBLAR FTRST 80FA 20W LNG KIT	Frame angle B
1-4,5D,6B	114978	TBLAR FTRST 80FA 20W STD KIT	Frame angle B
1-4,5A,6F	114979	TBLAR FTRST 85FA 10W LNG KIT	Q7 only-Frame angle C
1-4,5A,6C	114980	TBLAR FTRST 85FA 10W STD KIT	Q7 only-Frame angle C
1-4,5A,6F	114981	TBLAR FTRST 85FA 11W LNG KIT	Q7 only-Frame angle C
1-4,5A,6C	114982	TBLAR FTRST 85FA 11W STD KIT	Q7 only-Frame angle C
1-4,5A,6F	114983	TBLAR FTRST 85FA 12W LNG KIT	Q7 only-Frame angle C
1-4,5A,6C	114984	TBLAR FTRST 85FA 12W STD KIT	Q7 only-Frame angle C
1-4,5B,6F	114985	TBLAR FTRST 85FA 13W LNG KIT	Q7 only-Frame angle C
1-4,5B,6C	114986	TBLAR FTRST 85FA 13W STD KIT	Q7 only-Frame angle C
1-4,5B,6F	114987	TBLAR FTRST 85FA 14W LNG KIT	Q7 only-Frame angle C
1-4,5B,6C	114988	TBLAR FTRST 85FA 14W STD KIT	Q7 only-Frame angle C

Pos.	Item Number	Description	Remarks
1-4,5B,6F	114989	TBLAR FTRST 85FA 15W LNG KIT	Q7 only-Frame angle C
1-4,5B,6C	114990	TBLAR FTRST 85FA 15W STD KIT	Q7 only-Frame angle C
1-4,5C,6F	114991	TBLAR FTRST 85FA 16W LNG KIT	Q7 only-Frame angle C
1-4,5C,6C	114992	TBLAR FTRST 85FA 16W STD KIT	Q7 only-Frame angle C
1-4,5C,6F	114993	TBLAR FTRST 85FA 17W LNG KIT	Q7 only-Frame angle C
1-4,5C,6C	114994	TBLAR FTRST 85FA 17W STD KIT	Q7 only-Frame angle C
1-4,5C,6F	114995	TBLAR FTRST 85FA 18W LNG KIT	Q7 only-Frame angle C
1-4,5C,6C	114996	TBLAR FTRST 85FA 18W STD KIT	Q7 only-Frame angle C
1-4,5D,6F	114997	TBLAR FTRST 85FA 19W LNG KIT	Q7 only-Frame angle C
1-4,5D,6C	114998	TBLAR FTRST 85FA 19W STD KIT	Q7 only-Frame angle C
1-4,5D,6F	114999	TBLAR FTRST 85FA 20W LNG KIT	Q7 only-Frame angle C
1-4,5D,6C	115000	TBLAR FTRST 85FA 20W STD KIT	Q7 only-Frame angle C

Note: in order to prevent deformation of the Footrest Tube do not over tighten Item (1). Max torque is 62 inch pounds.

Note: For High Mount Footrest Clamp part numbers please refer to the High Mount Footrest Clamp parts manual page.

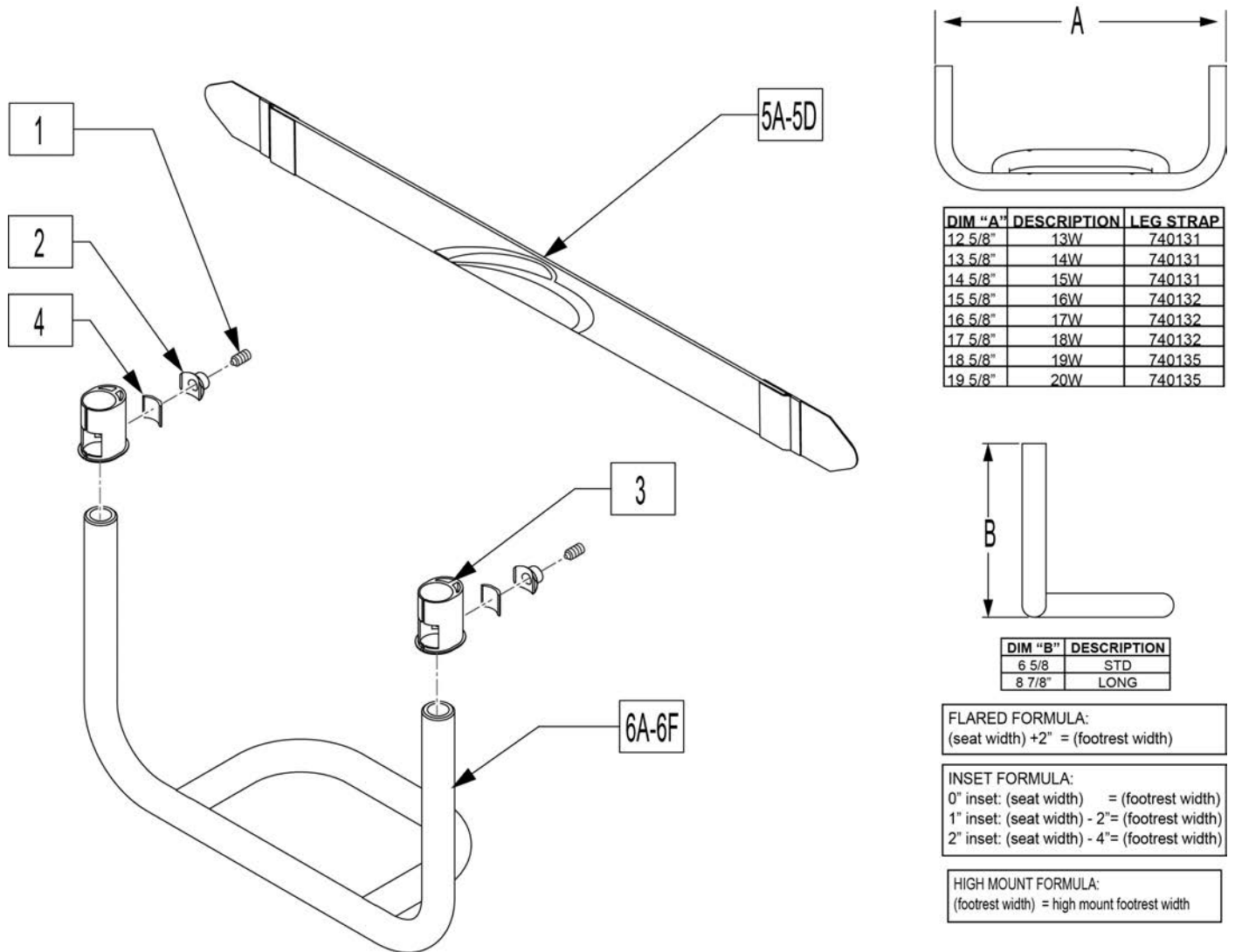


Pos.	Item Number	Description	Remarks
1	112339	FLT PT SS M8X1.25X8	
2	112648	FOOTREST NUT	
3	112651	KEY CLAMP, 19MM	
4	112348	FOOTREST BUSHING OVAL TO ROUND	
1-4	114934	FTRST MOUNT KIT	
5A	113255	LEG STRAP 11"-12" BLK	
5B	113256	LEG STRAP 13"-15" BLK	
5C	113257	LEG STRAP 16"-18" BLK	
5D	113258	LEG STRAP 19"-20" BLK	
1-4,5A,6D	114935	TBLAR FTRST 75FA 10W LNG KIT	Q7 only-Frame angle A

Pos.	Item Number	Description	Remarks
1-4,5A,6A	114936	TBLAR FTRST 75FA 10W STD KIT	Q7 only-Frame angle A
1-4,5A,6D	114937	TBLAR FTRST 75FA 11W LNG KIT	Q7 only-Frame angle A
1-4,5A,6A	114938	TBLAR FTRST 75FA 11W STD KIT	Q7 only-Frame angle A
1-4,5A,6D	114939	TBLAR FTRST 75FA 12W LNG KIT	Q7 only-Frame angle A
1-4,5A,6A	114940	TBLAR FTRST 75FA 12W STD KIT	Q7 only-Frame angle A
1-4,5B,6D	114941	TBLAR FTRST 75FA 13W LNG KIT	Q7 only-Frame angle A
1-4,5B,6A	114942	TBLAR FTRST 75FA 13W STD KIT	Q7 only-Frame angle A
1-4,5B,6D	114943	TBLAR FTRST 75FA 14W LNG KIT	Q7 only-Frame angle A
1-4,5B,6A	114944	TBLAR FTRST 75FA 14W STD KIT	Q7 only-Frame angle A
1-4,5B,6D	114945	TBLAR FTRST 75FA 15W LNG KIT	Q7 only-Frame angle A
1-4,5B,6A	114946	TBLAR FTRST 75FA 15W STD KIT	Q7 only-Frame angle A
1-4,5C,6D	114947	TBLAR FTRST 75FA 16W LNG KIT	Q7 only-Frame angle A
1-4,5C,6A	114948	TBLAR FTRST 75FA 16W STD KIT	Q7 only-Frame angle A
1-4,5A,6E	114957	TBLAR FTRST 80FA 10W LNG KIT	Frame angle B
1-4,5A,6B	114958	TBLAR FTRST 80FA 10W STD KIT	Frame angle B
1-4,5A,6E	114959	TBLAR FTRST 80FA 11W LNG KIT	Frame angle B
1-4,5A,6B	114960	TBLAR FTRST 80FA 11W STD KIT	Frame angle B
1-4,5A,6E	114961	TBLAR FTRST 80FA 12W LNG KIT	Frame angle B
1-4,5A,6B	114962	TBLAR FTRST 80FA 12W STD KIT	Frame angle B
1-4,5B,6E	114963	TBLAR FTRST 80FA 13W LNG KIT	Frame angle B
1-4,5B,6B	114964	TBLAR FTRST 80FA 13W STD KIT	Frame angle B
1-4,5B,6E	114965	TBLAR FTRST 80FA 14W LNG KIT	Frame angle B
1-4,5B,6B	114966	TBLAR FTRST 80FA 14W STD KIT	Frame angle B
1-4,5B,6E	114967	TBLAR FTRST 80FA 15W LNG KIT	Frame angle B
1-4,5B,6B	114968	TBLAR FTRST 80FA 15W STD KIT	Frame angle B
1-4,5C,6E	114969	TBLAR FTRST 80FA 16W LNG KIT	Frame angle B
1-4,5C,6B	114970	TBLAR FTRST 80FA 16W STD KIT	Frame angle B
1-4,5A,6F	114979	TBLAR FTRST 85FA 10W LNG KIT	Q7 only-Frame angle C
1-4,5A,6C	114980	TBLAR FTRST 85FA 10W STD KIT	Q7 only-Frame angle C
1-4,5A,6F	114981	TBLAR FTRST 85FA 11W LNG KIT	Q7 only-Frame angle C
1-4,5A,6C	114982	TBLAR FTRST 85FA 11W STD KIT	Q7 only-Frame angle C
1-4,5A,6F	114983	TBLAR FTRST 85FA 12W LNG KIT	Q7 only-Frame angle C
1-4,5A,6C	114984	TBLAR FTRST 85FA 12W STD KIT	Q7 only-Frame angle C
1-4,5B,6F	114985	TBLAR FTRST 85FA 13W LNG KIT	Q7 only-Frame angle C
1-4,5B,6C	114986	TBLAR FTRST 85FA 13W STD KIT	Q7 only-Frame angle C
1-4,5B,6F	114987	TBLAR FTRST 85FA 14W LNG KIT	Q7 only-Frame angle C
1-4,5B,6C	114988	TBLAR FTRST 85FA 14W STD KIT	Q7 only-Frame angle C
1-4,5B,6F	114989	TBLAR FTRST 85FA 15W LNG KIT	Q7 only-Frame angle C
1-4,5B,6C	114990	TBLAR FTRST 85FA 15W STD KIT	Q7 only-Frame angle C
1-4,5C,6F	114991	TBLAR FTRST 85FA 16W LNG KIT	Q7 only-Frame angle C
1-4,5C,6C	114992	TBLAR FTRST 85FA 16W STD KIT	Q7 only-Frame angle C

Note: in order to prevent deformation of the Footrest Tube do not over tighten Item (1). Max torque is 62 inch pounds.

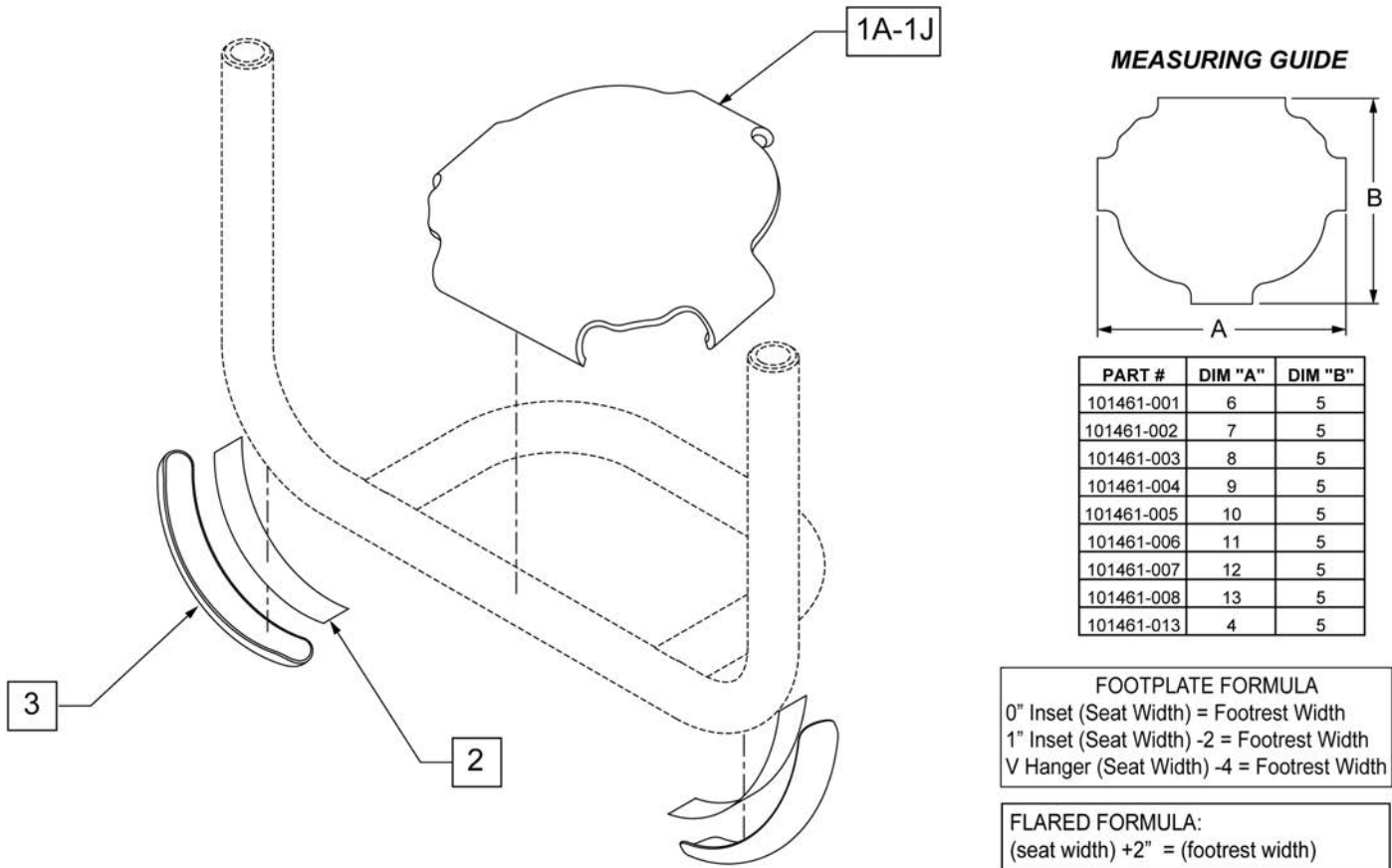
Note: For High Mount Footrest Clamp part numbers please refer to the High Mount Footrest Clamp parts manual page.



Pos.	Item Number	Description	Remarks
1	112339	FLT PT SS M8X1.25X8	
2	112648	FOOTREST NUT	
3	112651	KEY CLAMP, 19MM	
4	112348	FOOTREST BUSHING OVAL TO ROUND	
1-4	114934	FTRST MOUNT KIT	
5A	113255	LEG STRAP 11"-12" BLK	
5B	113256	LEG STRAP 13"-15" BLK	
5C	113257	LEG STRAP 16"-18" BLK	
5D	113258	LEG STRAP 19"-20" BLK	
6	128279	FOOTREST 75FA 13W STD KIT	Frame angle A

Pos.	Item Number	Description	Remarks
6	128280	FOOTREST 75FA 13W LONG KIT	Frame angle A
6	128281	FOOTREST 75AF 14W STD KIT	Frame angle A
6	128282	FOOTREST 75FA 14W LONG KIT	Frame angle A
6	128283	FOOTREST 75FA 15W STD KIT	Frame angle A
6	128284	FOOTREST 75FA 15W LONG KIT	Frame angle A
6	128285	FOOTREST 75FA 16W STD KIT	Frame angle A
6	128286	FOOTREST 75FA 16W LONG KIT	Frame angle A
6	128287	FOOTREST 75FA 17W STD KIT	Frame angle A
6	128288	FOOTREST 75FA 17W LONG KIT	Frame angle A
6	128289	FOOTREST 75FA 18W STD KIT	Frame angle A
6	128290	FOOTREST 75FA 18W LONG KIT	Frame angle A
6	128291	FOOTREST 75FA 19W STD KIT	Frame angle A
6	128292	FOOTREST 75FA 19W LONG KIT	Frame angle A
6	128293	FOOTREST 75FA 20W STD KIT	Frame angle A
6	128294	FOOTREST 75FA 20W LONG KIT	Frame angle A
6	128295	FOOTREST 80FA, 13W STD KIT	Frame angle B
6	128296	FOOTREST 80FA, 13W LONG KIT	Frame angle B
6	128297	FOOTREST 80FA, 14W STD KIT	Frame angle B
6	128298	FOOTREST 80FA, 14W LONG KIT	Frame angle B
6	128299	FOOTREST 80FA, 15W STD KIT	Frame angle B
6	128300	FOOTREST 80FA, 15W LONG KIT	Frame angle B
6	128301	FOOTREST 80FA, 16W STD KIT	Frame angle B
6	128302	FOOTREST 80FA, 16W LONG KIT	Frame angle B
6	128303	FOOTREST 80FA, 17W STD KIT	Frame angle B
6	128304	FOOTREST 80FA, 17W LONG KIT	Frame angle B
6	128305	FOOTREST 80FA, 18W STD KIT	Frame angle B
6	128306	FOOTREST 80FA, 18W LONG KIT	Frame angle B
6	128307	FOOTREST 80FA, 19W STD KIT	Frame angle B
6	128308	FOOTREST 80FA, 19W LONG KIT	Frame angle B
6	128309	FOOTREST 80FA, 20W STD KIT	Frame angle B
6	128310	FOOTREST 80FA, 20W LONG KIT	Frame angle B
6	128311	FOOTREST 85FA 13W STD KIT	Frame angle C
6	128312	FOOTREST 85FA 13W LONG KIT	Frame angle C
6	128313	FOOTREST 85FA 14W STD KIT	Frame angle C
6	128314	FOOTREST 85FA 14W LONG KIT	Frame angle C
6	128315	FOOTREST 85FA 15W STD KIT	Frame angle C
6	128316	FOOTREST 85FA 15W LONG KIT	Frame angle C
6	128317	FOOTREST 85FA 16W STD KIT	Frame angle C
6	128318	FOOTREST 85FA 16W LONG KIT	Frame angle C
6	128319	FOOTREST 85FA 17W STD KIT	Frame angle C
6	128320	FOOTREST 85FA 17W LONG KIT	Frame angle C
6	128321	FOOTREST 85FA 18W STD KIT	Frame angle C
6	128322	FOOTREST 85FA 18W LONG KIT	Frame angle C
6	128323	FOOTREST 85FA 19W STD KIT	Frame angle C
6	128324	FOOTREST 85FA 19W LONG KIT	Frame angle C
6	128325	FOOTREST 85FA 20W STD KIT	Frame angle C
6	128326	FOOTREST 85FA 20W LONG KIT	Frame angle C

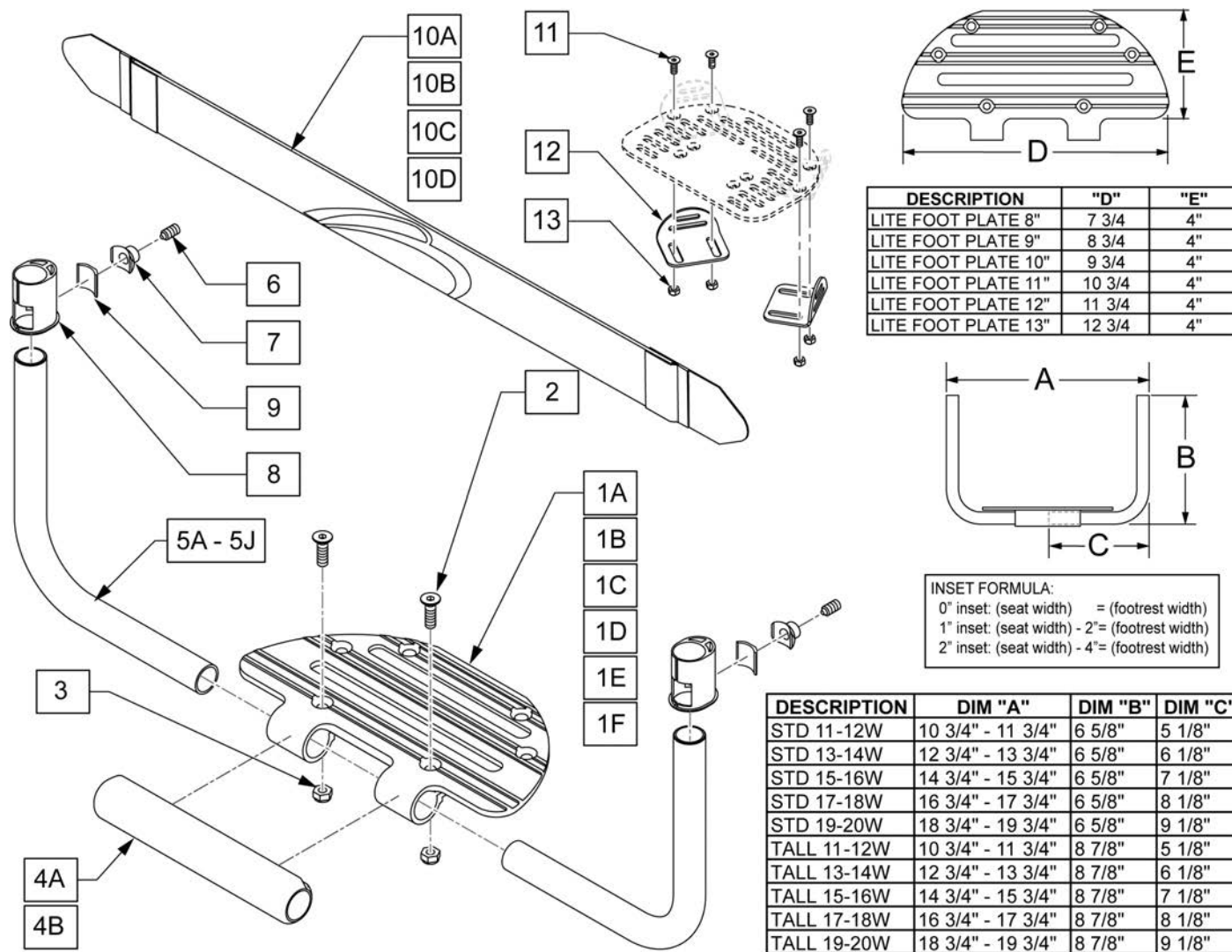
Note: in order for wear pads to properly bond to the footrest tubes, secure with cable ties for 24 hours after adhering.



	DIM A	8 5/8	10 5/8	11 5/8	12 5/8	13 5/8	14 5/8	15 5/8	16 5/8	17 5/8	18 5/8	19 5/8
CHAIR SIZE		8w & 9w	10 & 11 w	12 w	13 w	14 w	15 w	16 w	17 w	18 w	19 w	20 w
GT		N/A	101461-002	101461-002	101461-002	101461-004	101461-004	101461-006	101461-006	101461-008	101461-008	101461-008
GTX		N/A	N/A	101461-002	101461-002	101461-002	101461-004	101461-004	101461-006	101461-006	101461-008	101461-008
GTI		N/A	101461-001	101461-002	101461-003	101461-004	101461-005	101461-006	101461-007	101461-008	101461-008	101461-008
Q7		N/A	101461-001	101461-002	101461-003	101461-004	101461-005	101461-006	101461-007	101461-008	101461-008	101461-008
ZIPPIE ZONE		101461-013	101461-001	101461-002	101461-003	101461-004	101461-005	101461-006	101461-007	101461-008	N/A	N/A

Pos.	Item Number	Description	Remarks
1A	101461-013	COVER FOOTREST SNAP ON 9W	
1B	101461-001	COVER FOOTREST SNAP-ON 11" W	
1C	101461-002	COVER FOOTREST SNAP-ON 12" W	
1D	101461-003	COVER FOOTREST SNAP-ON 13" W	
1E	101461-004	COVER FOOTREST SNAP-ON 14" W	
1F	101461-005	COVER FOOTREST SNAP-ON 15" W	
1G	101461-006	COVER FOOTREST SNAP-ON 16" W	
1H	101461-007	COVER FOOTREST SNAP-ON 17" W	
1J	101461-008	COVER FOOTREST SNAP-ON 18" W	
2,3	103107	WEAR PAD W/ ADHESIVE	Includes cable ties

Note: in order to prevent deformation of the Footrest Tube do not over tighten Item (1). Max torque is 62 inch pounds.



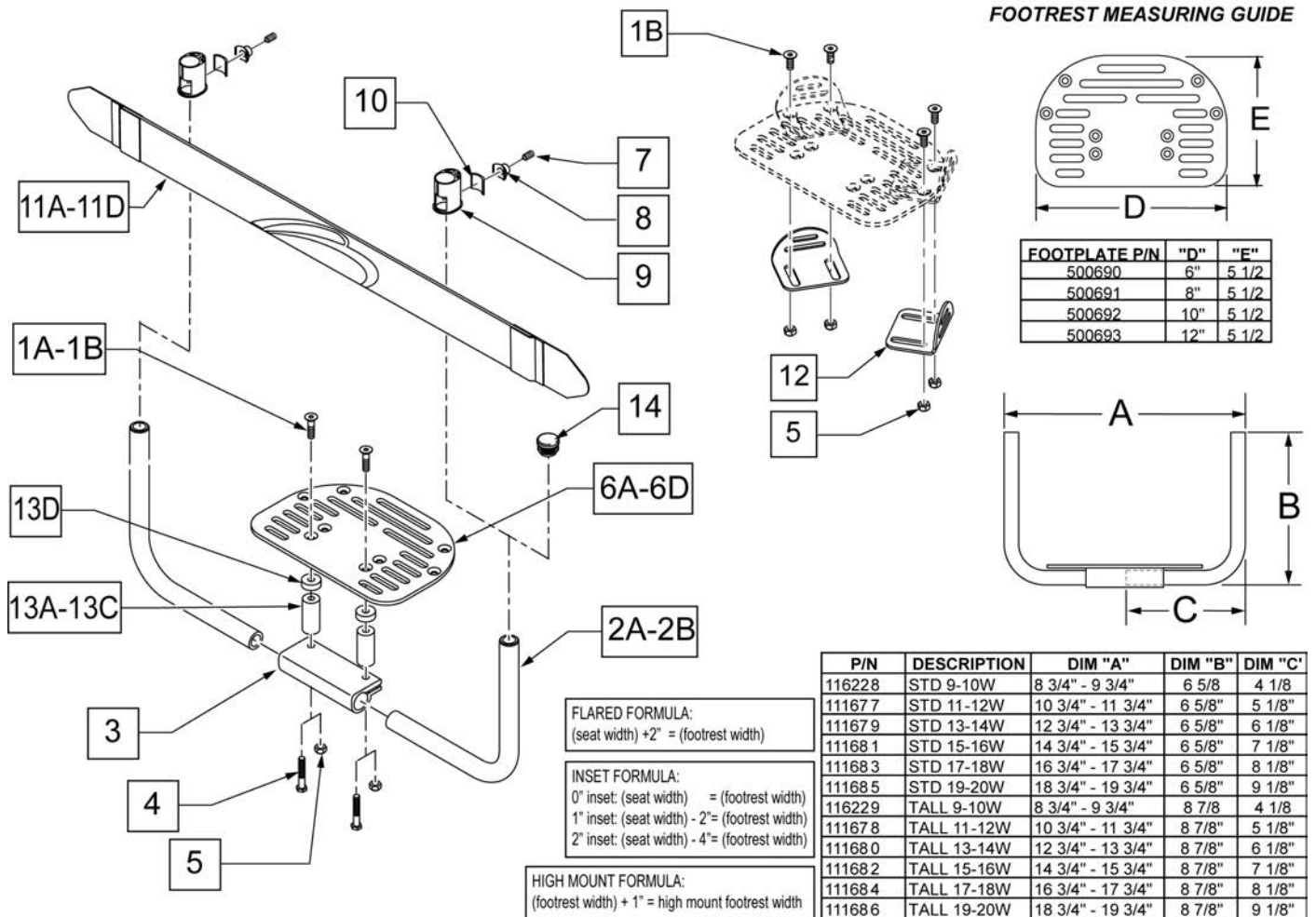
Pos.	Item Number	Description	Remarks
1A	111668	LITE FOOT PLATE 8"	Used for 11-13 Footrest Width
1B	111669	LITE FOOT PLATE 9"	Used for 14 Footrest Width
1C	111670	LITE FOOT PLATE 10"	Used for 15 Footrest Width
1D	111671	LITE FOOT PLATE 11"	Used for 16 Footrest Width
1E	111672	LITE FOOT PLATE 12"	Used for 17-18 Footrest Width
1F	111673	LITE FOOT PLATE 13"	Used for 19-20 Footrest Width
2	102265-002	FHCS,M6X1X20,FULL,NP	
3	104381	NUT NYLOCK M6 X 1	
4A	066203-001	TUBE FRONT COVER, SMALL	Used for 11-15 Footrest Width
4B	066203-002	TUBE FRONT COVER, LARGE	Used for 16-20 Footrest Width
5A	111677	PLTFRM FTRST TUBE STD 11-12W	Used for 11-12 Footrest Width
5B	111678	PLTFRM FTRST TUBE TALL 11-12W	Used for 11-12 Footrest Width
5C	111679	PLTFRM FTRST TUBE STD 13-14W	Used for 13-14 Footrest Width
5D	111680	PLTFRM FTRST TUBE TALL 13-14W	Used for 13-14 Footrest Width
5E	111681	PLTFRM FTRST TUBE STD 15-16W	Used for 15-16 Footrest Width

Pos.	Item Number	Description	Remarks
5F	111682	PLTFRM FTRST TUBE TALL 15-16W	Used for 15-16 Footrest Width
5G	111683	PLTFRM FTRST TUBE STD 17-18W	Used for 17-18 Footrest Width
5H	111684	PLTFRM FTRST TUBE TALL 17-18W	Used for 17-18 Footrest Width
5J	111685	PLTFRM FTRST TUBE STD 19-20W	Used for 19-20 Footrest Width
5K	111686	PLTFRM FTRST TUBE TALL 19-20W	Used for 19-20 Footrest Width
10A	113255	LEG STRAP 11"-12" BLK	Used for 11-12 Footrest Width
10B	113256	LEG STRAP 13"-15" BLK	Used for 13-15 Footrest Width
10C	113257	LEG STRAP 16"-18" BLK	Used for 16-18 Footrest Width
10D	113258	LEG STRAP 19"-20" BLK	Used for 19-20 Footrest Width
11	102265-001	FHCS M6 X 1 X 16 INORGANIC	
12	050073	PLATE POSITIONING FOOT	
13	200113	NUT HEX NYLOCK M6 X 1	
6-9	114934	FTRST MOUNT KIT	
11-13	050228	PLATE POSITIONING FOOT W/HDWR	
1A-4A,5B, 6-9	115001	ALUM ULITE 11-12W LNG KIT	
1A-4A,5A, 6-9	115002	ALUM ULITE 11-12W STD KIT	
1A-4A,5D, 6-9	115003	ALUM ULITE 13W LNG KIT	
1A-4A,5C, 6-9	115004	ALUM ULITE 13W STD KIT	
1B,2-4A,5D, 6-9	115005	ALUM ULITE 14W LNG KIT	
1B,2-4A,5C, 6-9	115006	ALUM ULITE 14W STD KIT	
1C,2-4A,5F, 6-9	115007	ALUM ULITE 15W LNG KIT	
1C,2-4A,5E, 6-9	115008	ALUM ULITE 15W STD KIT	
1D,2-4A,5F, 6-9	115009	ALUM ULITE 16W LNG KIT	
1D,2-4A,5E, 6-9	115010	ALUM ULITE 16W STD KIT	
1E,2-4A,5H, 6-9	115011	ALUM ULITE 17-18W LNG KIT	
1E,2-4A,5G, 6-9	115012	ALUM ULITE 17-18W STD KIT	
1E,2-4A,5K, 6-9	115013	ALUM ULITE 19-20W LNG KIT	
1F,2-4A,5J, 6-9	115014	ALUM ULITE 19-20W STD KIT	

Note: In order to prevent deformation of the Footrest Tube do not over tighten Item (7). Max torque is 62 inch pounds.

Note: For High Mount Footrest Clamp please refer to the High Mount Footrest Clamp parts manual page.

Note: Prior to 3/16/11 footplates were used w/o item 13D (561112) spacer and utilized smaller footplates. If replacing a footplate on a chair built after 3/16/11 items 1B and 13D should be ordered.



Pos.	Item Number	Description	Remarks
1A	102265-003	FHCS M6X1X25 FULL NP	Used w/o Adapter Spacer

Pos.	Item Number	Description	Remarks
1B	103500-009	FHCSM6X1X30FULLNP	Used w/Adapter Spacer; used for chairs after 3/16/11
2A	116228	PLT FRM FTRST TUBE STD 9-10W	
2A	111677	PLTFRM FTRST TUBE STD 11-12W	
2A	111679	PLTFRM FTRST TUBE STD 13-14W	
2A	111681	PLTFRM FTRST TUBE STD 15-16W	
2A	111683	PLTFRM FTRST TUBE STD 17-18W	
2A	111685	PLTFRM FTRST TUBE STD 19-20W	
2B	116229	PLT FRM FTRST TUBE TALL 9-10W	
2B	111678	PLTFRM FTRST TUBE TALL 11-12W	
2B	111680	PLTFRM FTRST TUBE TALL 13-14W	
2B	111682	PLTFRM FTRST TUBE TALL 15-16W	
2B	111684	PLTFRM FTRST TUBE TALL 17-18W	
2B	111686	PLTFRM FTRST TUBE TALL 19-20W	
3	550351	PLATFORM FOOTPLATE CLAMP	
4	102268-001	HHCS M6 x 1 x 25	Used w/Adapter Spacer
5	104381	NUT HEX NYLOCK M6X1.0	Used w/o Adapter Spacer
6A	116225	NEW PATFRORM F/PT 4 X 5 1/2	Used for 9-10 Footrest Width prior to 3/16/11
6B	500690	NEW PLTFORM F/PLT 6X5.5	Used for 9-13 Footrest Width
6C	500691	NEW PLTFORM F/PLT 8X5.5	Used for 14-15 Footrest Width
6D	500692	NEW PLTFORM F/PLT 10X5.5	Used for 16-17 Footrest Width
6E	500693	NEW PLTFORM F/PLT 12X5.5	Used for 18-20 Footrest Width
7	112339	FLT PT SS M8X1.25X8	
8	112648	FOOTREST NUT	
9	112348	FOOTREST BUSHING OVAL TO ROUND	
10	112651	KEY CLAMP, 19MM	
11A	113255	LEG STRAP 11"-12" BLK	
11B	113256	LEG STRAP 13"-15" BLK	
11C	113257	LEG STRAP 16"-18" BLK	
11D	113258	LEG STRAP 19"-20" BLK	
12	050073	PLATE POSITIONING FOOT	
13A	050075-001	ADAPTIVE FT/RST SPCR 2" P/FRM	
13B	050075-002	ADAPTIVE FT/RST SPCR 4" P/FRM	
13C	050075-003	ADAPTIVE FT/RST SPCR 6" P/FRM	

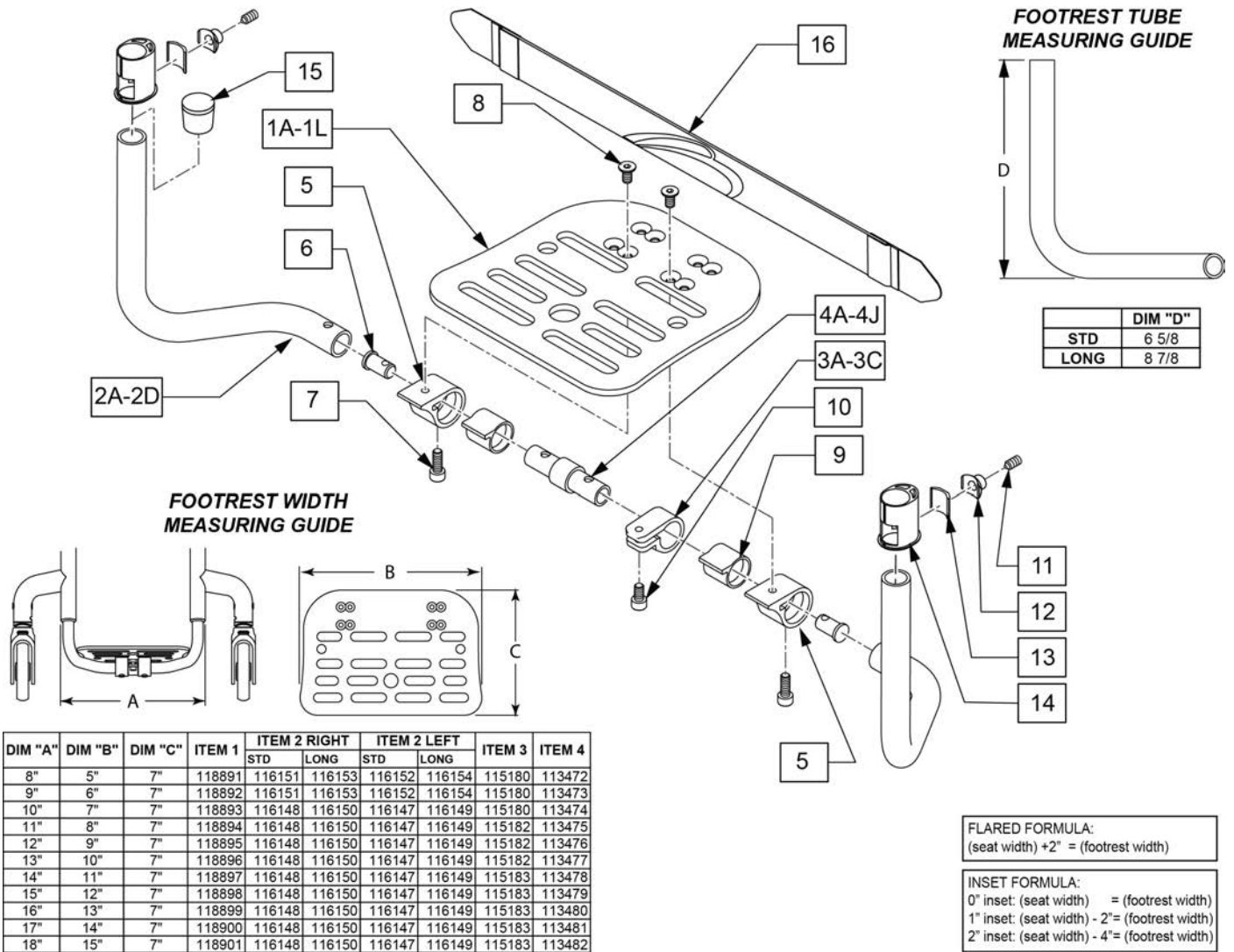
Pos.	Item Number	Description	Remarks
13D	561112	3/4 OD X .318 ID X .25 NYLON	Used for chairs after 3/16/11
14	561010	3/4" CAP	For use with High Mount Footrest only
1B,5,12	050228	PLATE POSITIONING FOOT W/HDWR	
1AB,2B,3-5,6A,7-10,13A,13B,13C	116848	ALUM FTRST 9-10W LNG KIT	Includes 2", 4", 6" Adaptive Footrest Spacers
1AB,2A,3-5,6A,7-10,13A,13B,13C	116849	ALUM FTRST 9-10W STD KIT	Includes 2", 4", 6" Adaptive Footrest Spacers
1AB,2B,3-5,6B,7-10,13A,13B,13C	115015	ALUM FTRST 11-12W LNG KIT	Includes 2", 4", 6" Adaptive Footrest Spacers
1AB,2A,3-5,6B,7-10,13A,13B,13C	115016	ALUM FTRST 11-12W STD KIT	Includes 2", 4", 6" Adaptive Footrest Spacers
1AB,2B,3-5,6B,7-10,13A,13B,13C	115017	ALUM FTRST 13W LNG KIT	Includes 2", 4", 6" Adaptive Footrest Spacers
1AB,2A,3-5,6B,7-10,13A,13B,13C	115018	ALUM FTRST 13W STD KIT	Includes 2", 4", 6" Adaptive Footrest Spacers
1AB,2B,3-5,6C,7-10,13A,13B,13C	115019	ALUM FTRST 14W LNG KIT	Includes 2", 4", 6" Adaptive Footrest Spacers
1AB,2A,3-5,6C,7-10,13A,13B,13C	115020	ALUM FTRST 14W STD KIT	Includes 2", 4", 6" Adaptive Footrest Spacers
1AB,2B,3-5,6C,7-10,13A,13B,13C	115021	ALUM FTRST 15W LNG KIT	Includes 2", 4", 6" Adaptive Footrest Spacers
1AB,2A,3-5,6C,7-10,13A,13B,13C	115022	ALUM FTRST 15W STD KIT	Includes 2", 4", 6" Adaptive Footrest Spacers
1AB,2B,3-5,6D,7-10,13A,13B,13C	115023	ALUM FTRST 16W LNG KIT	Includes 2", 4", 6" Adaptive Footrest Spacers
1AB,2A,3-5,6D,7-10,13A,13B,13C	115024	ALUM FTRST 16W STD KIT	Includes 2", 4", 6" Adaptive Footrest Spacers

Pos.	Item Number	Description	Remarks
1AB,2B,3-5,6D,7-10,13A,13B,13C	115025	ALUM FTRST 17W LNG KIT	Includes 2", 4", 6" Adaptive Footrest Spacers
1AB,2A,3-5,6D,7-10,13A,13B,13C	115026	ALUM FTRST 17W STD KIT	Includes 2", 4", 6" Adaptive Footrest Spacers
1AB,2B,3-5,6E,7-10,13A,13B,13C	115027	ALUM FTRST 18W LNG KIT	Includes 2", 4", 6" Adaptive Footrest Spacers
1AB,2A,3-5,6E,7-10,13A,13B,13C	115028	ALUM FTRST 18W STD KIT	Includes 2", 4", 6" Adaptive Footrest Spacers
1AB,2B,3-5,6E,7-10,13A,13B,13C	115029	ALUM FTRST 19-20W LNG KIT	Includes 2", 4", 6" Adaptive Footrest Spacers
1AB,2A,3-5,6E,7-10,13A,13B,13C	115030	ALUM FTRST 19-20W STD KIT	Includes 2", 4", 6" Adaptive Footrest Spacers
7-10	114934	FTRST MOUNT KIT	

Note: For High Mount Footrest Clamp part numbers please refer to the High Mount Footrest Clamp parts manual page.

Note: In order to prevent deformation of the Footrest Tube do not over tighten Item 11. Max torque is 62 inch pounds.

Note: For Q7 this option is not offered on 19" & 20" footrest widths.



DIM "A"	DIM "B"	DIM "C"	ITEM 1	ITEM 2 RIGHT		ITEM 2 LEFT		ITEM 3	ITEM 4
				STD	LONG	STD	LONG		
8"	5"	7"	118891	116151	116153	116152	116154	115180	113472
9"	6"	7"	118892	116151	116153	116152	116154	115180	113473
10"	7"	7"	118893	116148	116150	116147	116149	115180	113474
11"	8"	7"	118894	116148	116150	116147	116149	115182	113475
12"	9"	7"	118895	116148	116150	116147	116149	115182	113476
13"	10"	7"	118896	116148	116150	116147	116149	115182	113477
14"	11"	7"	118897	116148	116150	116147	116149	115183	113478
15"	12"	7"	118898	116148	116150	116147	116149	115183	113479
16"	13"	7"	118899	116148	116150	116147	116149	115183	113480
17"	14"	7"	118900	116148	116150	116147	116149	115183	113481
18"	15"	7"	118901	116148	116150	116147	116149	115183	113482

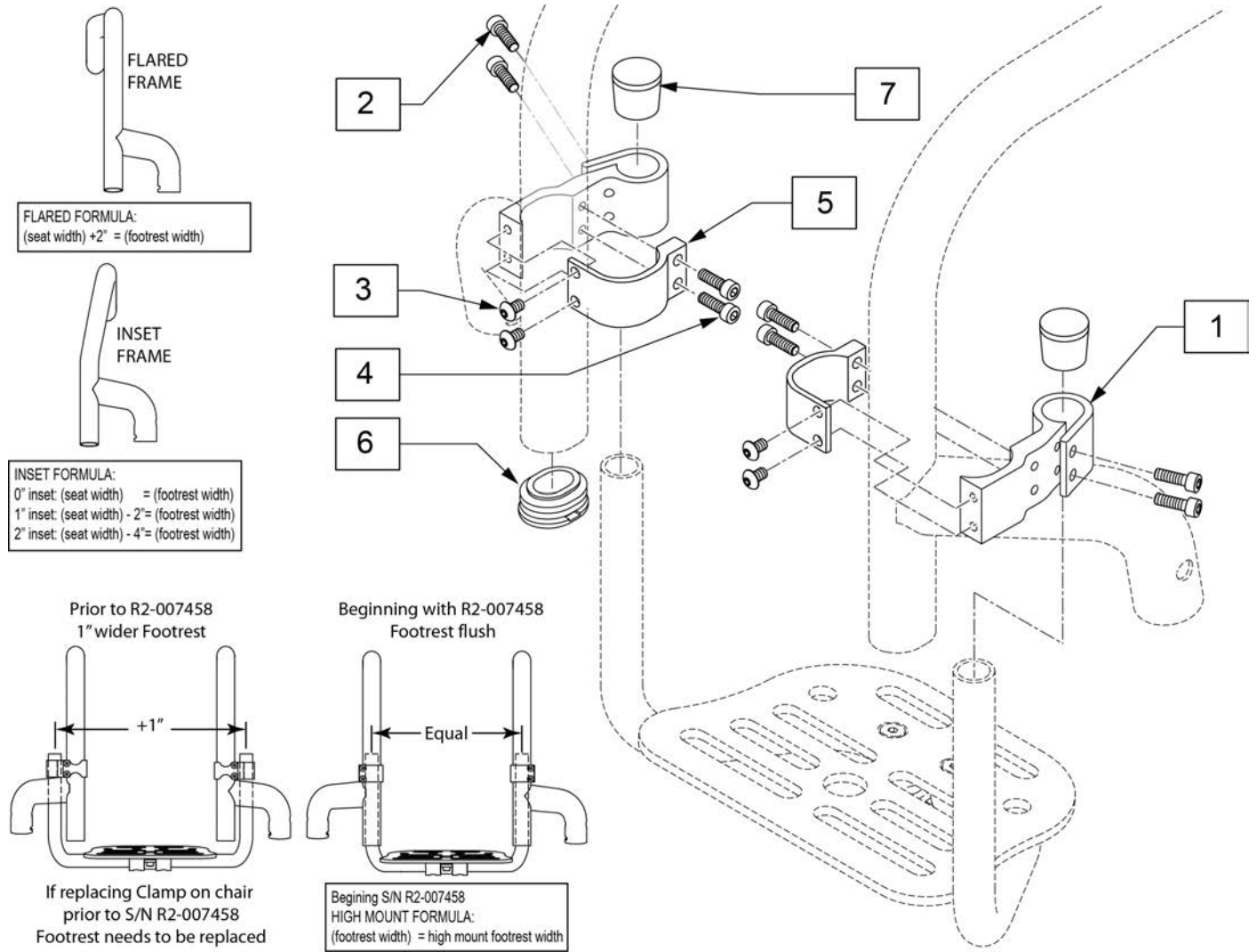
Pos.	Item Number	Description	Remarks
1A	118891	FOOTPLATE 8-9 PED	
1B	118892	FOOTPLATE 9-10 PED	
1C	118893	FOOTPLATE 10-11 PED	
1D	118894	FOOTPLATE 11-12 PED	
1E	118895	FOOTPLATE 12-13 PED	
1F	118896	FOOTPLATE 13-14 PED	

Pos.	Item Number	Description	Remarks
1G	118897	FOOTPLATE 14-15 PED	
1H	118898	FOOTPLATE 15-16 PED	
1J	118899	FOOTPLATE 16-17 PED	
1K	118900	FOOTPLATE 17-18 PED	
1L	118901	FOOTPLATE 18-19 PED	
2A	116147	FB TUBE LH STD	Left-Used w/ 10"-18" wide Footrest
2A	116148	FB TUBE RH STD	Right-Used w/ 10"-18" wide Footrest
2B	116149	FB TUBE LH LNG	Left-Used w/ 10"-18" wide Footrest
2B	116150	FB TUBE RH LNG	Right-Used w/ 10"-18" wide Footrest
2C	116151	FB TUBE RH STD 8-9	Right-Used w/ 8"-9" wide Footrest
2C	116152	FB TUBE LH STD 8-9	Left-Used w/ 8"-9" wide Footrest
2D	116153	FB TUBE RH LNG 8-9	Right-Used w/ 8"-9" wide Footrest
2D	116154	FB TUBE LH LNG 8-9	Left-Used w/ 8"-9" wide Footrest
3A	115180	FB FOOT ANGLE ADJ 8-9	
3B	115182	FB FOOT ANGLE ADJ 10-14	
3C	115183	FB FOOT ANGLE ADJ 15-18	
4A	113472	FLIP BACK CENTER TUBE 10"	Fits: 8"&10"
4B	113473	FLIP BACK CENTER TUBE 11"	Fits: 9"&11"
4C	113474	FLIP BACK CENTER TUBE 12"	Fits: 12"
4D	113475	FLIP BACK CENTER TUBE 13"	Fits: 13"
4E	113476	FLIP BACK CENTER TUBE 14"	Fits: 14"
4F	113477	FLIP BACK CENTER TUBE 15"	Fits: 15"
4G	113478	FLIP BACK CENTER TUBE 16"	Fits: 16"
4H	113479	FLIP BACK CENTER TUBE 17"	Fits: 17"
4J	113480	FLIP BACK CENTER TUBE 18"	Fits: 18"
5	115181	FB FOOTPLATE RECEIVER	
6	113449	FLIP BACK INSERT	
7	104522	SHCS M6X1X16 FULL PL	
8	103500-004	FHCSM6X1X12FULLNP	
9	115774	FLIP BACK FOOTREST BUSHING	
10	103132	SHCS M6X1X10 FULL PL	
11	112339	FLT PT SS M8X1.25X8	
12	112648	FOOTREST NUT	
13	112651	KEY CLAMP, 19MM	
14	112348	FOOTREST BUSHING OVAL TO ROUND	
15	561010	3/4" CAP	Use on High Mount Footrest only
16	113255	LEG STRAP 11"-12" BLK	
16	113256	LEG STRAP 13"-15" BLK	
16	113257	LEG STRAP 16"-18" BLK	
16	113258	LEG STRAP 19"-20" BLK	
11-14	114934	FTRST MOUNT KIT	
1A,2C,3A,4A,5-16	120238	F/BCK F/RST STD ASSM 8	Fits: 8"
1B,2C,3A,4B,5-16	120239	F/BCK F/RST STD ASSM 9	Fits: 9"
1C,2A,3B,4A,5-16	120240	F/BCK F/RST STD ASSM 10	Fits: 10"
1D,2A,3B,4B,5-16	120241	F/BCK F/RST STD ASSM 11	Fits: 11"
1E,2A,3B,4C,5-16	120242	F/BCK F/RST STD ASSM 12	Fits: 12"
1F,2A,3B,4D,5-16	120243	F/BCK F/RST STD ASSM 13	Fits: 13"
1G,2A,3B,4E,5-16	120244	F/BCK F/RST STD ASSM 14	Fits: 14"
1H,2A,3C,4F,5-16	120245	F/BCK F/RST STD ASSM 15	Fits: 15"
1J,2A,3C,4G,5-16	120246	F/BCK F/RST STD ASSM 16	Fits: 16"
1K,2A,3C,4H,5-16	120247	F/BCK F/RST STD ASSM 17	Fits: 17"
1L,2A,3C,4J,5-16	120248	F/BCK F/RST STD ASSM 18	Fits: 18"
1A,2D,3A,4A,5-16	120249	F/BCK F/RST LNG ASSM 8	Fits: 8"
1B,2D,3A,4B,5-16	120250	F/BCK F/RST LNG ASSM 9	Fits: 9"
1C,2B,3B,4A,5-16	120251	F/BCK F/RST LNG ASSM 10	Fits: 10"
1D,2B,3B,4B,5-16	120252	F/BCK F/RST LNG ASSM 11	Fits: 11"
1E,2B,3B,4C,5-16	120253	F/BCK F/RST LNG ASSM 12	Fits: 12"

Pos.	Item Number	Description	Remarks
1F,2B,3B,4D,5-16	120254	F/BCK F/RST LNG ASSM 13	Fits: 13"
1G,2B,3B,4E,5-16	120255	F/BCK F/RST LNG ASSM 14	Fits: 14"
1H,2B,3C,4F,5-16	120256	F/BCK F/RST LNG ASSM 15	Fits: 15"
1J,2B,3C,4G,5-16	120257	F/BCK F/RST LNG ASSM 16	Fits: 16"
1K,2B,3C,4H,5-16	120258	F/BCK F/RST LNG ASSM 17	Fits: 17"
1L,2B,3C,4J,5-16	120259	F/BCK F/RST LNG ASSM 18	Fits: 18"

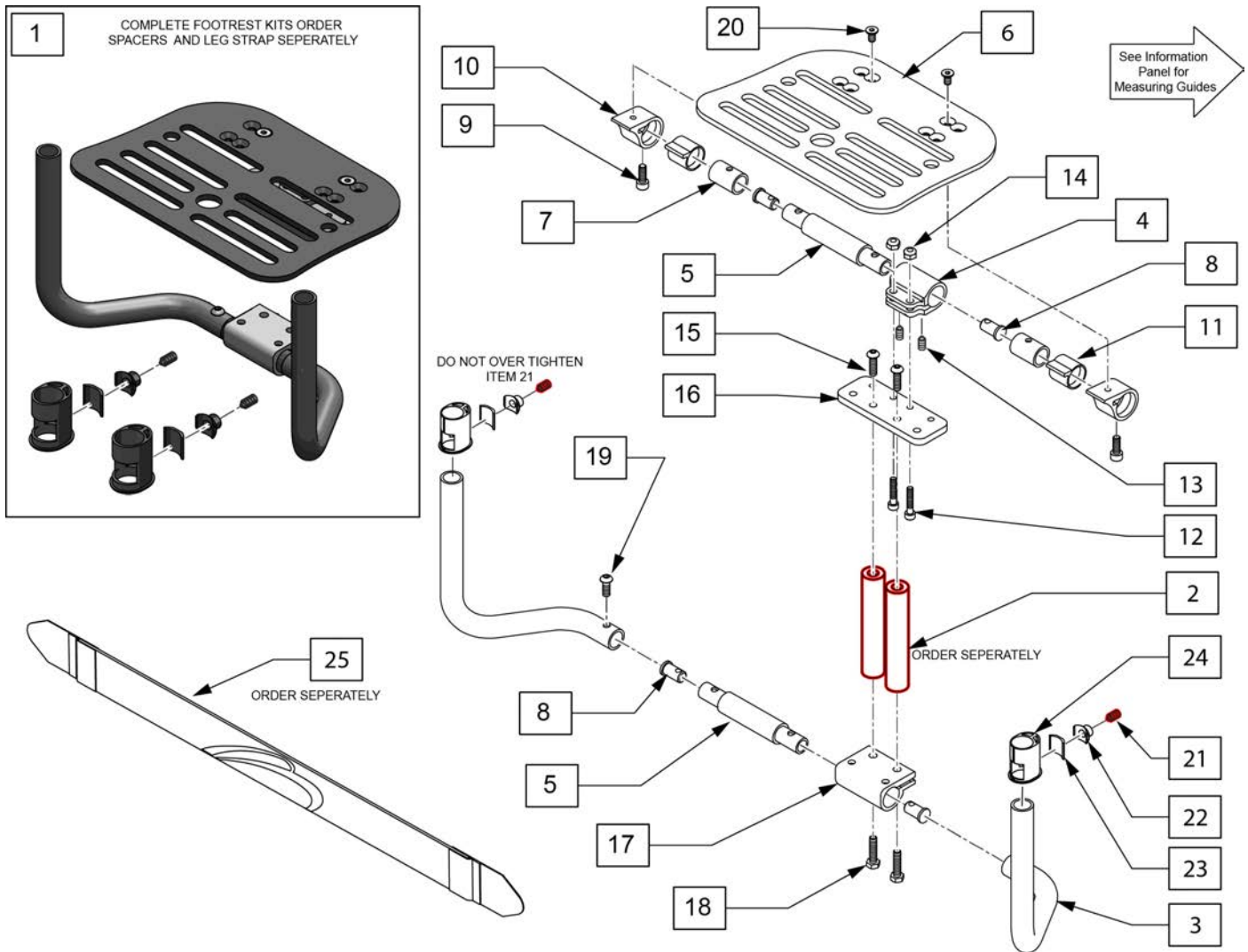
Note: For footrest part numbers please refer to the Flip-Back Footrest parts manual page.

Note: See informations panel for Instruction Sheet.



Pos.	Item Number	Description	Remarks
2	103181	SHCS M5 X .8 X 14 W/PL	
3	103184-002	BHCS,M5X0.8X8,FULL,PL	
4	113317	SHCS M5X0.8X25 FULL PL	
6	110161	FRAME INSERT, REAR SEAT TUBE	
7	561010	3/4" CAP	
1-7	123463	HIGH MOUNT FOOTREST KIT	Pair

Note: In order to prevent deformation of the Footrest Tube do not over tighten Item 21. Max torque is 62 inch pounds.



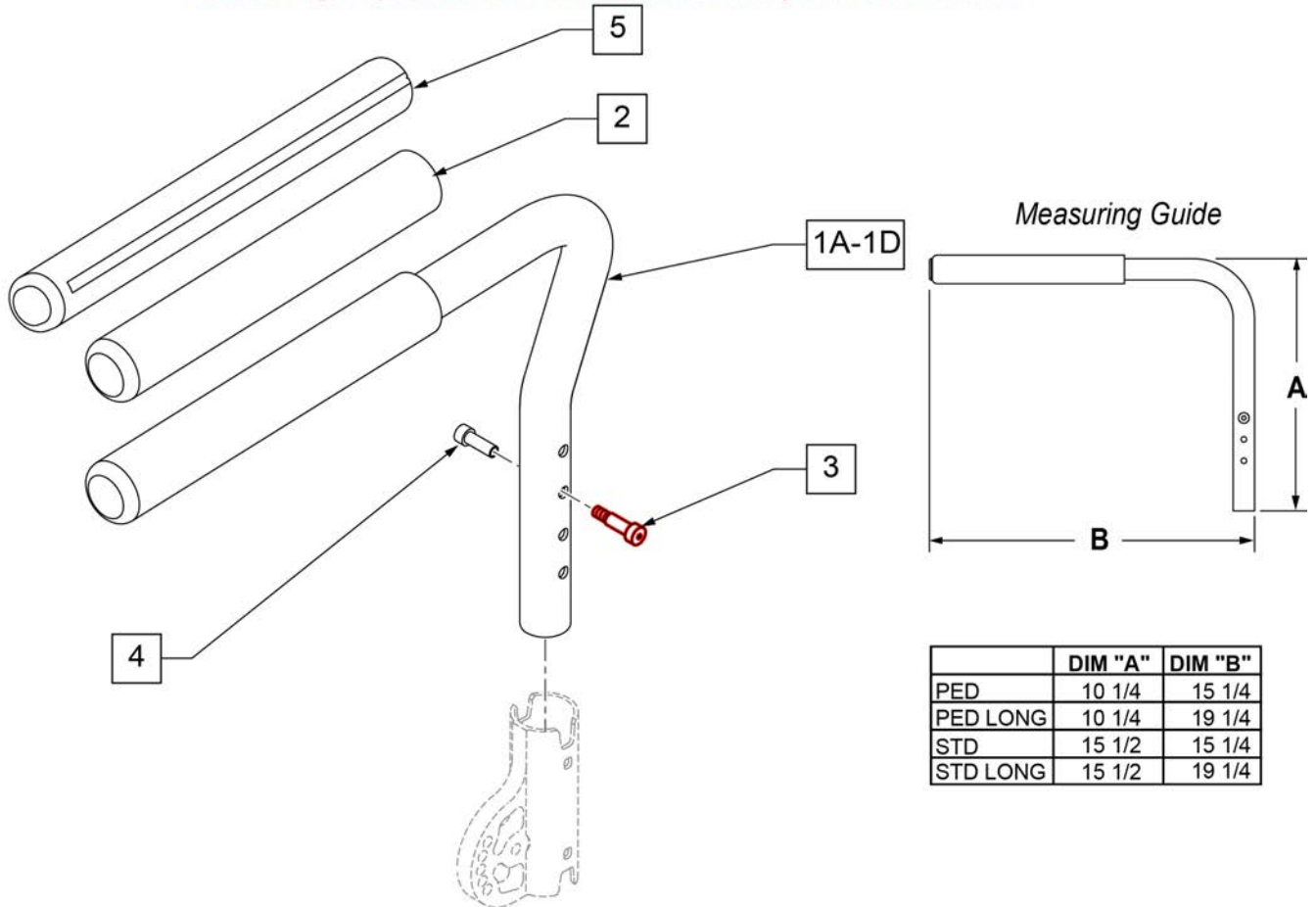
Pos.	Item Number	Description	Remarks
1	145100	F/BCK FTRST ADP STD ASSM 8	Fits: 8"
1	145101	F/BCK FTRST ADP STD ASSM 9	Fits: 9"
1	145102	F/BCK FTRST ADP STD ASSM 10	Fits: 10"
1	145103	F/BCK FTRST ADP STD ASSM 11	Fits: 11"
1	145104	F/BCK FTRST ADP STD ASSM 12	Fits: 12"
1	145105	F/BCK FTRST ADP STD ASSM 13	Fits: 13"
1	145106	F/BCK FTRST ADP STD ASSM 14	Fits: 14"
1	145107	F/BCK FTRST ADP STD ASSM 15	Fits: 15"
1	145108	F/BCK FTRST ADP STD ASSM 16	Fits: 16"
1	145109	F/BCK FTRST ADP STD ASSM 17	Fits: 17"
1	145110	F/BCK FTRST ADP STD ASSM 18	Fits: 18"
1	145111	F/BCK FTRST ADP LNG ASSM 8	Fits: 8"
1	145112	F/BCK FTRST ADP LNG ASSM 9	Fits: 9"
1	145113	F/BCK FTRST ADP LNG ASSM 10	Fits: 10"
1	145114	F/BCK FTRST ADP LNG ASSM 11	Fits: 11"

Pos.	Item Number	Description	Remarks
1	145115	F/BCK FTRST ADP LNG ASSM 12	Fits: 12"
1	145116	F/BCK FTRST ADP LNG ASSM 13	Fits: 13"
1	145117	F/BCK FTRST ADP LNG ASSM 14	Fits: 14"
1	145118	F/BCK FTRST ADP LNG ASSM 15	Fits: 15"
1	145119	F/BCK FTRST ADP LNG ASSM 16	Fits: 16"
1	145120	F/BCK FTRST ADP LNG ASSM 17	Fits: 17"
1	145121	F/BCK FTRST ADP LNG ASSM 18	Fits: 18"
2	050075-001	ADAPTIVE FT/RST SPCR 2" P/FRM	
2	050075-002	ADAPTIVE FT/RST SPCR 4" P/FRM	
2	050075-003	ADAPTIVE FT/RST SPCR 6" P/FRM	
3A	116147	FB TUBE LH STD	Left-Used w/ 10"-18" wide Footrest
3A	116148	FB TUBE RH STD	Right-Used w/ 10"-18" wide Footrest
3B	116149	FB TUBE LH LNG	Left-Used w/ 10"-18" wide Footrest
3B	116150	FB TUBE RH LNG	Right-Used w/ 10"-18" wide Footrest
3C	116151	FB TUBE RH STD 8-9	Right-Used w/ 8"-9" wide Footrest
3C	116152	FB TUBE LH STD 8-9	Left-Used w/ 8"-9" wide Footrest
3D	116153	FB TUBE RH LNG 8-9	Right-Used w/ 8"-9" wide Footrest
3D	116154	FB TUBE LH LNG 8-9	Left-Used w/ 8"-9" wide Footrest
4A	128880	FB FOOT ANGLE ADJ 8-12	
4B	128881	FB FOOT ANGLE ADJ 13-18	
5A	113472	FLIP BACK CENTER TUBE 10"	Fits: 8"&10"
5B	113473	FLIP BACK CENTER TUBE 11"	Fits: 9"&11"
5C	113474	FLIP BACK CENTER TUBE 12"	Fits: 12"
5D	113475	FLIP BACK CENTER TUBE 13"	Fits: 13"
5E	113476	FLIP BACK CENTER TUBE 14"	Fits: 14"
5F	113477	FLIP BACK CENTER TUBE 15"	Fits: 15"
5G	113478	FLIP BACK CENTER TUBE 16"	Fits: 16"
5H	113479	FLIP BACK CENTER TUBE 17"	Fits: 17"
5I	113480	FLIP BACK CENTER TUBE 18"	Fits: 18"
6	118891	FOOTPLATE 8-9 PED	
6	118892	FOOTPLATE 9-10 PED	
6	118893	FOOTPLATE 10-11 PED	
6	118894	FOOTPLATE 11-12 PED	
6	118895	FOOTPLATE 12-13 PED	
6	118896	FOOTPLATE 13-14 PED	
6	118897	FOOTPLATE 14-15 PED	
6	118898	FOOTPLATE 15-16 PED	
6	118899	FOOTPLATE 16-17 PED	
6	118900	FOOTPLATE 17-18 PED	
6	118901	FOOTPLATE 18-19 PED	
7	128884	FB PIVOT TUBE	
8	113449	FLIP BACK INSERT	
9	104522	SHCS M6X1X16 FULL PL	
10	115181	FB FOOTPLATE RECEIVER	
11	115774	FLIP BACK FOOTREST BUSHING	
12	102260-002	SHCS,M5 X .8 X 25,FULL,NP	
13	061615	SET SCREW M5 X 6	
14	220121	NUT HEX NYLOCK M5 BLACK	
15	058901-001	BHCS,M6X1X20,FULL,PL	
16	128883	FB FOOTPLATE TO SPACER PLATE	
17A	128882	PLATFORM FOOTPLATE	
17B	550315	CLAMP 1--1" W/RECESS	
18	102268-001	HHCS M6 X 1 X 25 BLK	
19	112346	BHCS,M6X1X16,FULL,PL	
20	103500-004	FHCSM6X1X12FULLNP	
21	112339	FLT PT SS M8X1.25X8	
22	112648	FOOTREST NUT	

Pos.	Item Number	Description	Remarks
23	112651	KEY CLAMP, 19MM	
24	112348	FOOTREST BUSHING OVAL TO ROUND	
25	113255	LEG STRAP 11"-12" BLK	
25	113256	LEG STRAP 13"-15" BLK	
25	113257	LEG STRAP 16"-18" BLK	
25	113258	LEG STRAP 19"-20" BLK	
21-24	114934	FTRST MOUNT KIT	

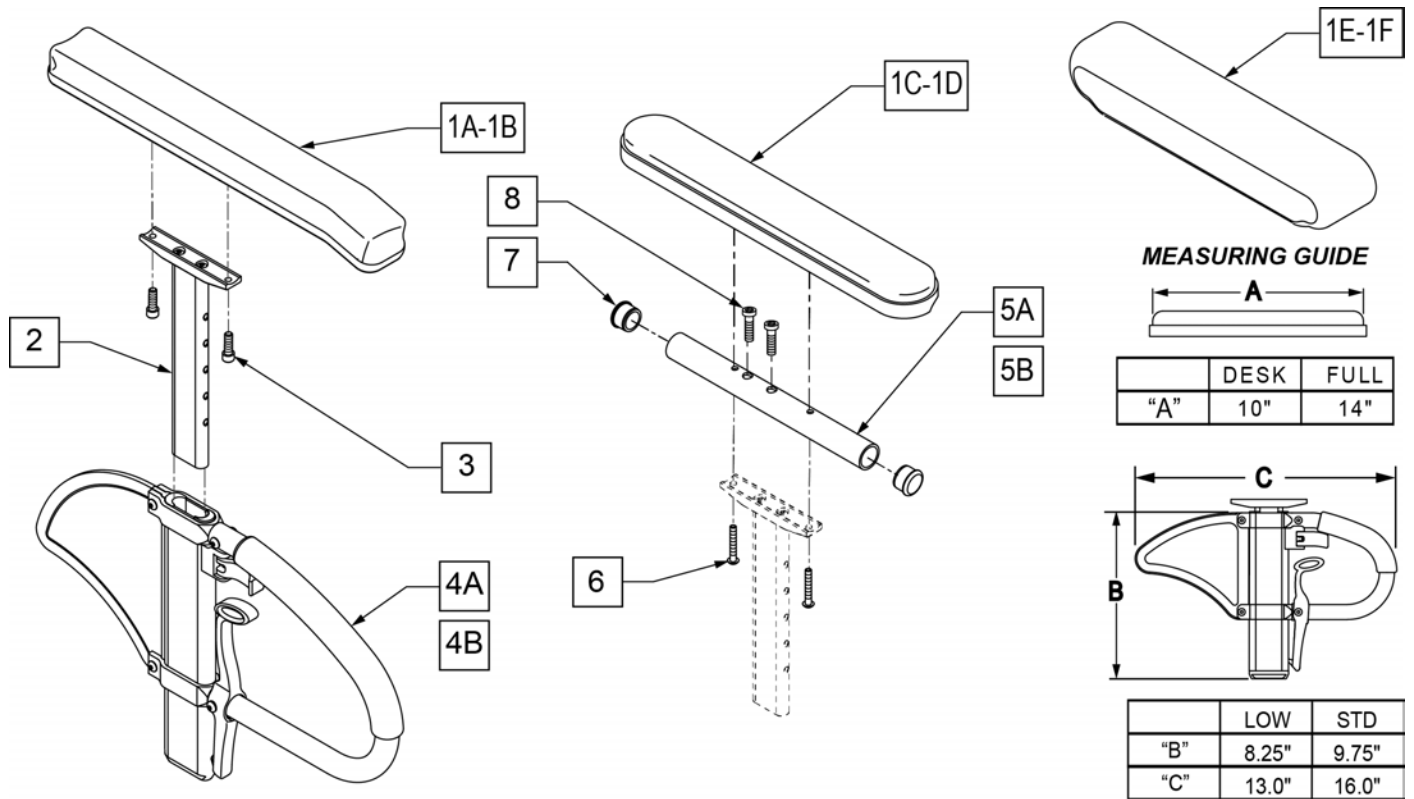
Note: If replacing item 3 for chairs built prior to s/n RZ-007247 (Zone) or R4-019239 (Q7) replace both sides.

Part Changes, please see notes/remarks for important information



Pos.	Item Number	Description	Remarks
1D,2	121123	ASSY PAD ARM STD LONG LH	LEFT - Std long - for Zone only-bolts sold separately
1D,2	121124	ASSY PAD ARM STD LONG RH	RIGHT - Std long - for Zone only-bolts sold separately
1A-4	116850	PAD S/A PED W/ BOLT ASSM L	LEFT - Ped
1A-4	116851	PAD S/A PED W/ BOLT ASSM R	RIGHT - Ped
1B-4	115040	PADDED S/A WITH BOLT ASSM L	LEFT - Std
1B-4	115041	PADDED S/A WITH BOLT ASSM R	RIGHT - Std
1C-4	120895	PAD S/A PED LNG W/BOLT L	LEFT - Ped long
1C-4	120894	PAD S/A PED LNG W/BOLT R	RIGHT - Ped long
3,4	108118	SEXBOLTS ARMREST KIT	PAIR
5	108315	GEL PAD S/A ARM	PAIR
2	920070	9X.940X.200 FOAM GRIP	1 grip

Note: Fits most Manual Products, not all Armrest Pads are offered on all chairs, consult product order form for compatibility.

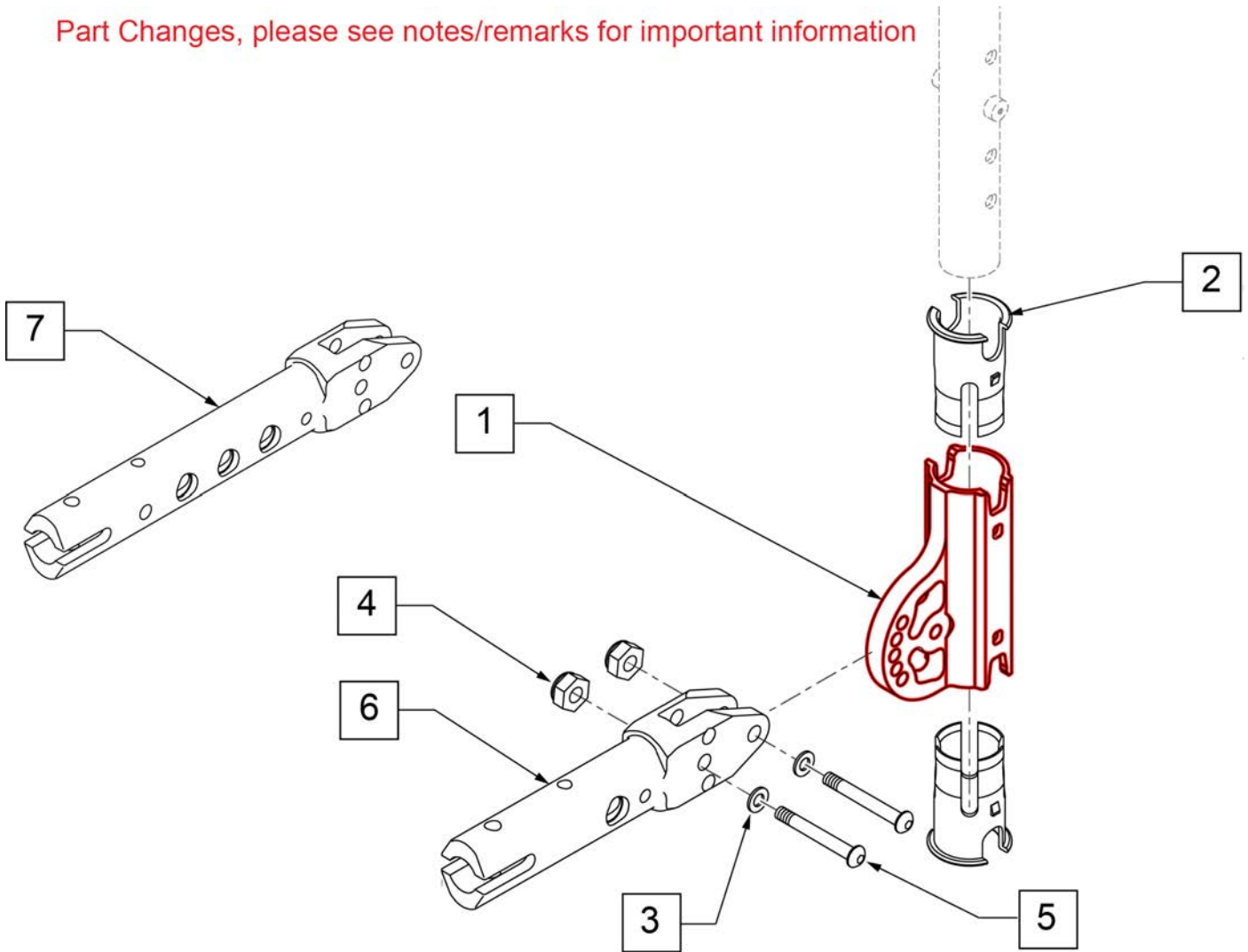


Pos.	Item Number	Description	Remarks
1A	104568-001	SPHA PAD DESK	CONTOUR DESK
1B	104568-002	SPHA PAD FULL	CONTOUR FULL
1C	561024	ARMREST PAD 10" DESK	CLASSIC DESK
1D	561031	ARMREST PAD 14" FULL	CLASSIC FULL
1E	561280	ARMREST PAD 10" LEFT W/F	Left-Waterfall Desk
1E	561281	ARMREST PAD 10" RIGHT W/F	Rightt-Waterfall Desk
1F	561284	ARMREST PAD 14" LEFT W/F	Leftt-Waterfall Full
1F	561285	ARMREST PAD 14" RIGHT W/F	Rightt-Waterfall Full
2	116312	SNGL POST UPPR ASSM LOW	LOW/SMALL
2	116313	SNGL POST UPPR ASSM STD	STANDARD
3	106956	SHCS 10-32 X 3/4 ROHS	
2,4A	104509-001	SPHA ARMREST ASSY STD	STANDARD
2,4B	104509-002	SPHA ARMREST ASSY LOW	LOW/SMALL
5A	521812	HT ADJ PD TUBE 10IN DESK POWE	Desk
5B	521813	HT ADJ PD TUBE 14IN FULL POWE	Full
6	107024	BHCS 10-32 X 1 1/2 ROHS	
7	560735	7/8" ROUND TUBE PLUG	
8	108534	SHCS 10-32 X 1-1/4 PL	Used with Full Length & Waterfall
1C,2,3,4A,5A,6,7	108599	SPHA STD CLASIC DESK PAD R	Right
1C,2,3,4A,5A,6,7	108603	SPHA STD CLASIC DESK PAD L	Left
1D,2,3,4A,5B,6-8	108601	SPHA STD CLASIC FULL PAD R	Right
1D,2,3,4A,5B,6-8	108605	SPHA STD CLASIC FULL PAD L	Left
1A,2,3,4A	108595	SPHA STD CNTUR DESK PAD	

Pos.	Item Number	Description	Remarks
1B,2,3,4A	108597	SPHA STD CNTUR FULL PAD	
1C,2,3,4B,5A,6,7	108600	SPHA LOW CLASIC DESK PAD R	Right
1C,2,3,4B,5A,6,7	108604	SPHA LOW CLASIC DESK PAD L	Left
1D,2,3,4B,5B,6-8	108602	SPHA LOW CLASIC FULL PAD R	Right
1D,2,3,4B,5B,6-8	108606	SPHA LOW CLASIC FULL PAD L	Left
1A,2,3,4B	108596	SPHA LOW CNTUR DESK PAD	
1B,2,3,4B	108598	SPHA LOW CNTUR FULL PAD	

Note: Q7 Frame modified after S/N 023230, replacement frames requiring Armrest Receivers should order 126832.

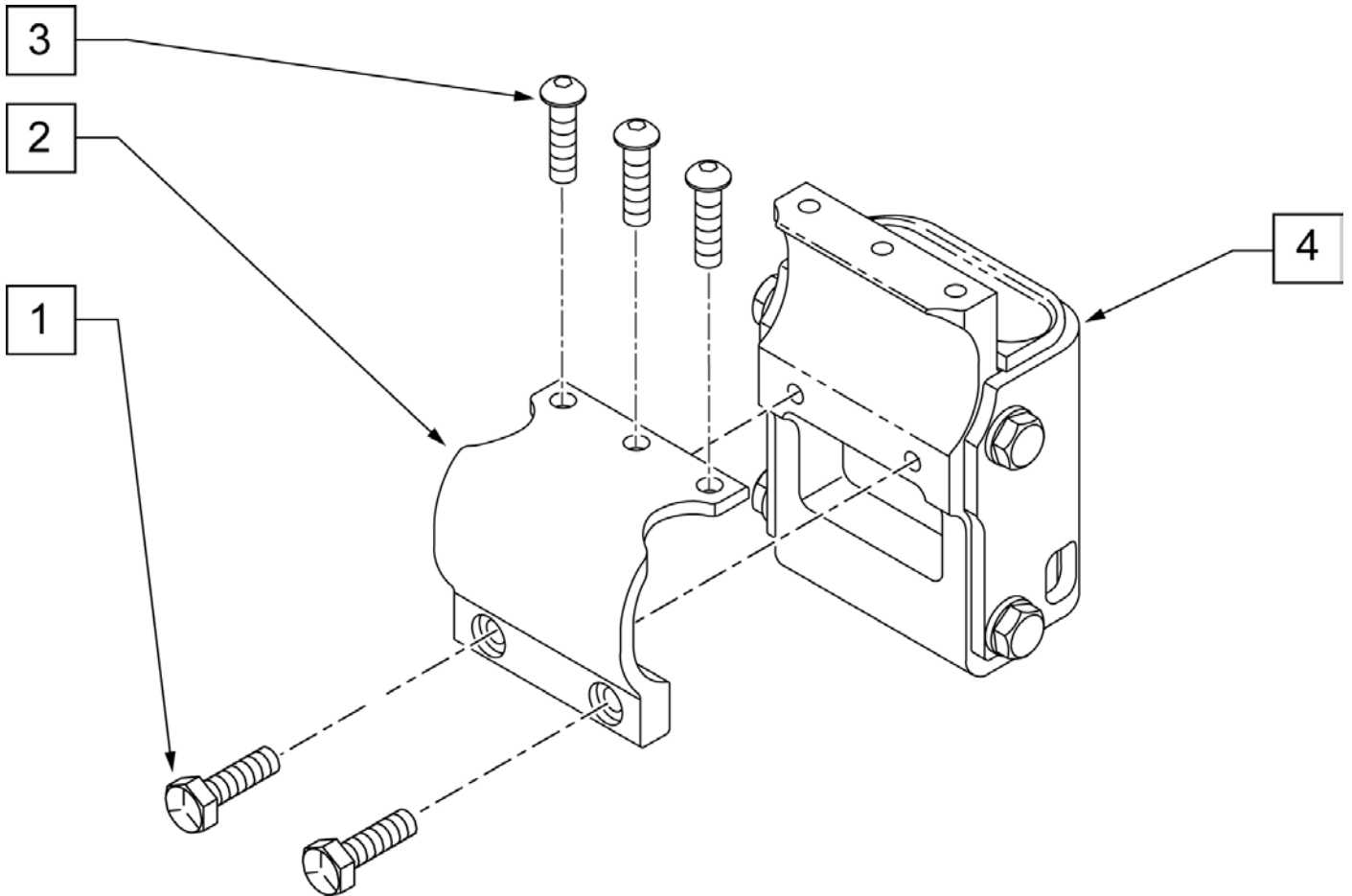
Part Changes, please see notes/remarks for important information



Pos.	Item Number	Description	Remarks
1,2	117838	RECEIVER MNT W/ SLEEVE	Prior to s/n R4-019239 replace in pairs
2	106505	SLEEVE SWING AWAY ARMREST	
3	250104	WASHER FLAT M6	
4	104381	NUT HEX NYLOCK M6 x 1.0	
5	102262-005	BHCS M6 x 1 x 30 INORG	
1-5	124255	PAD S/A ARMST MNT REC KIT (2)	Pair
6	126832	ARMREST, PADDED TUBULAR MT	Use after S/N R4-023230
7	126831	ARMREST, PADDED TUBULAR	For DAB-Use after S/N R4-023230

NOTE: CLAMP MOUNTS TO OVALIZED TUBING ONLY.

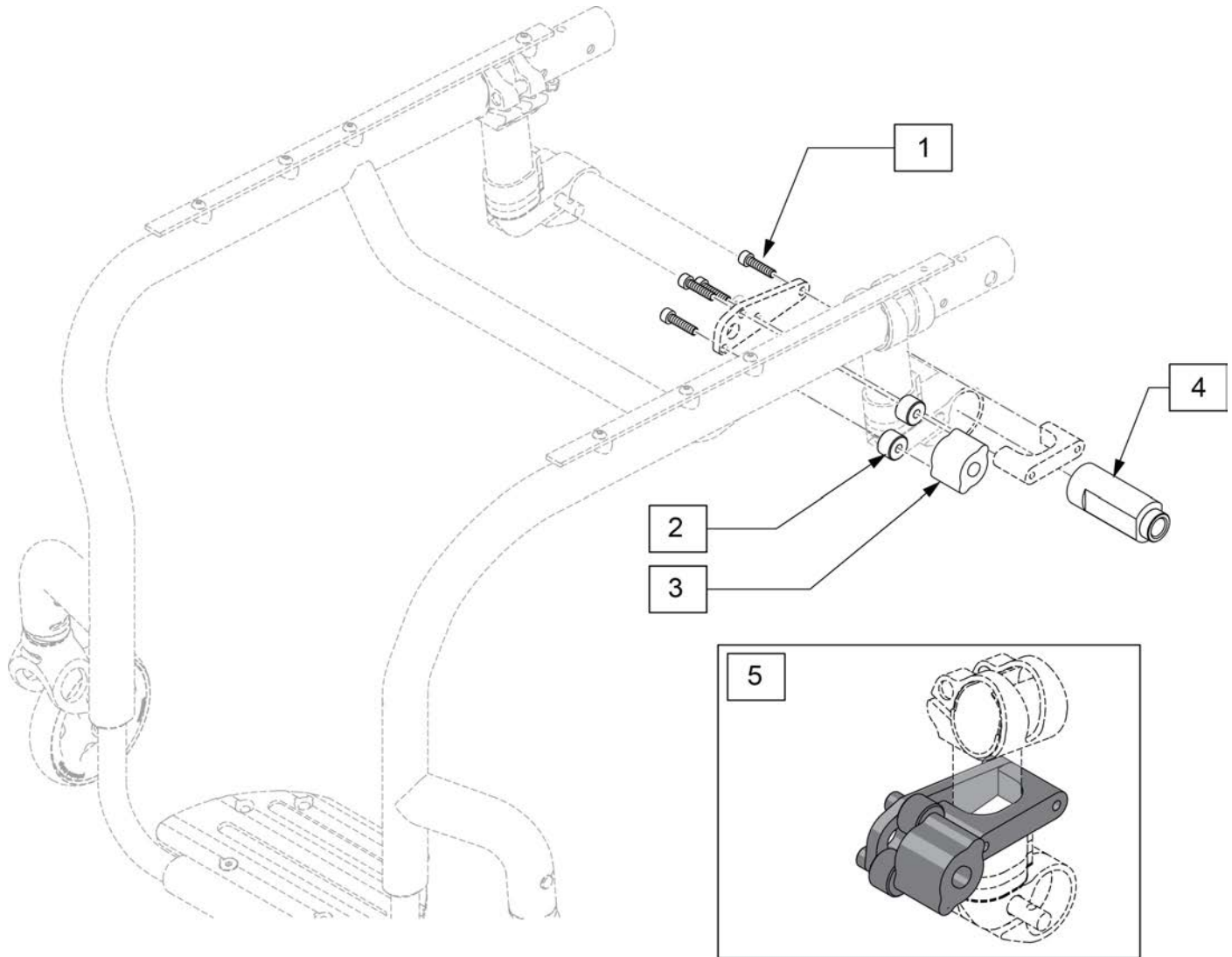
NOTE: USED ON QUICKIE Q7 CHAIRS.



Pos.	Item Number	Description
1	113317	HHCS M5 x 1 x 25 INORG
2	112694	SPHA INNER CLAMP
3	103184-002	BHCS M5 x 0.8 x 8 FULL PL
4	111691	SPHA RECEIVER ASSY
1-4	115031	SPHA RECEIVER ASSM

Note: Fits Q7 chairs built after S/N R4-023230 only.

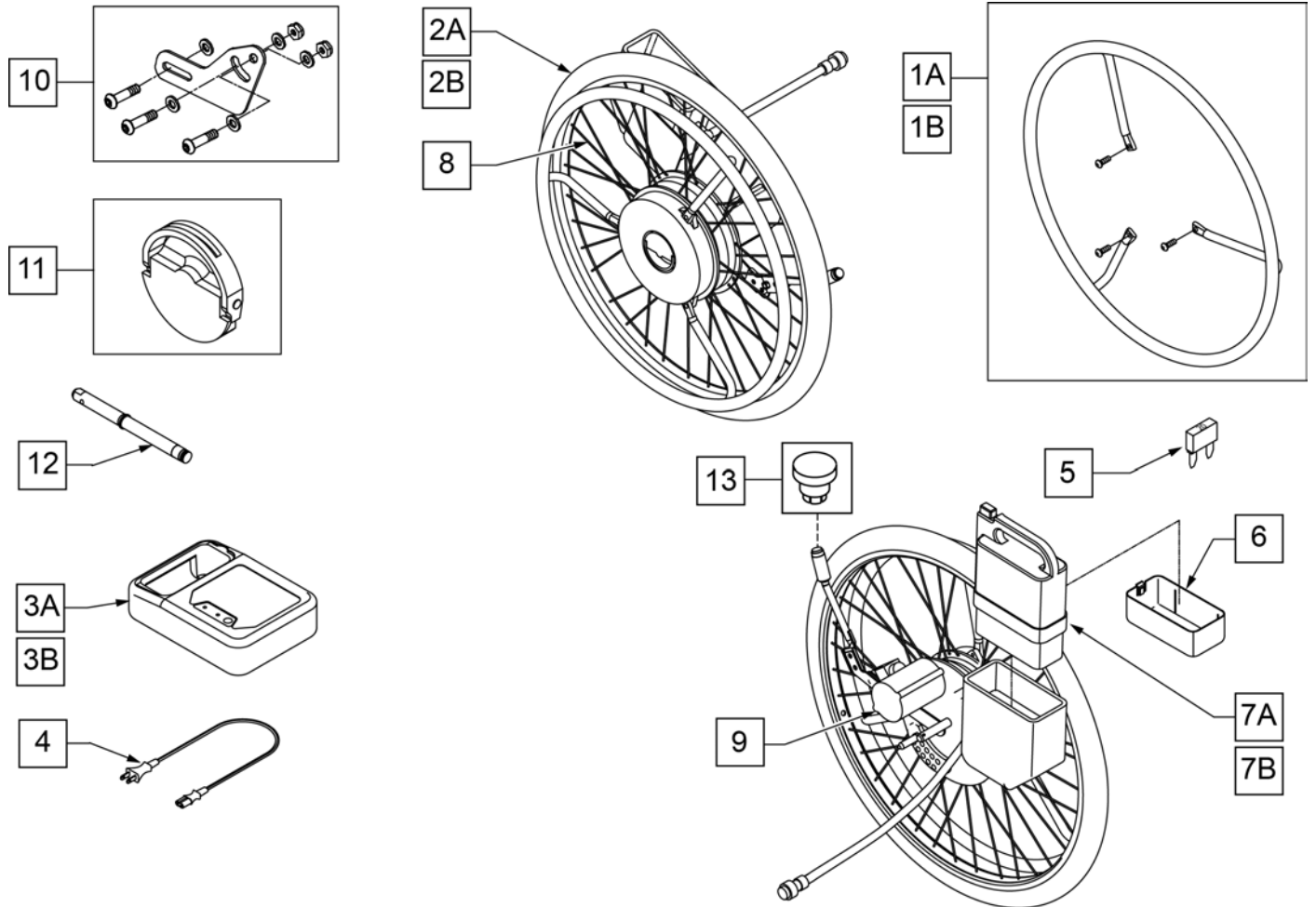
Note: If replacing or retrofitting an Xtender, please contact Customer Service to ensure compatibility.



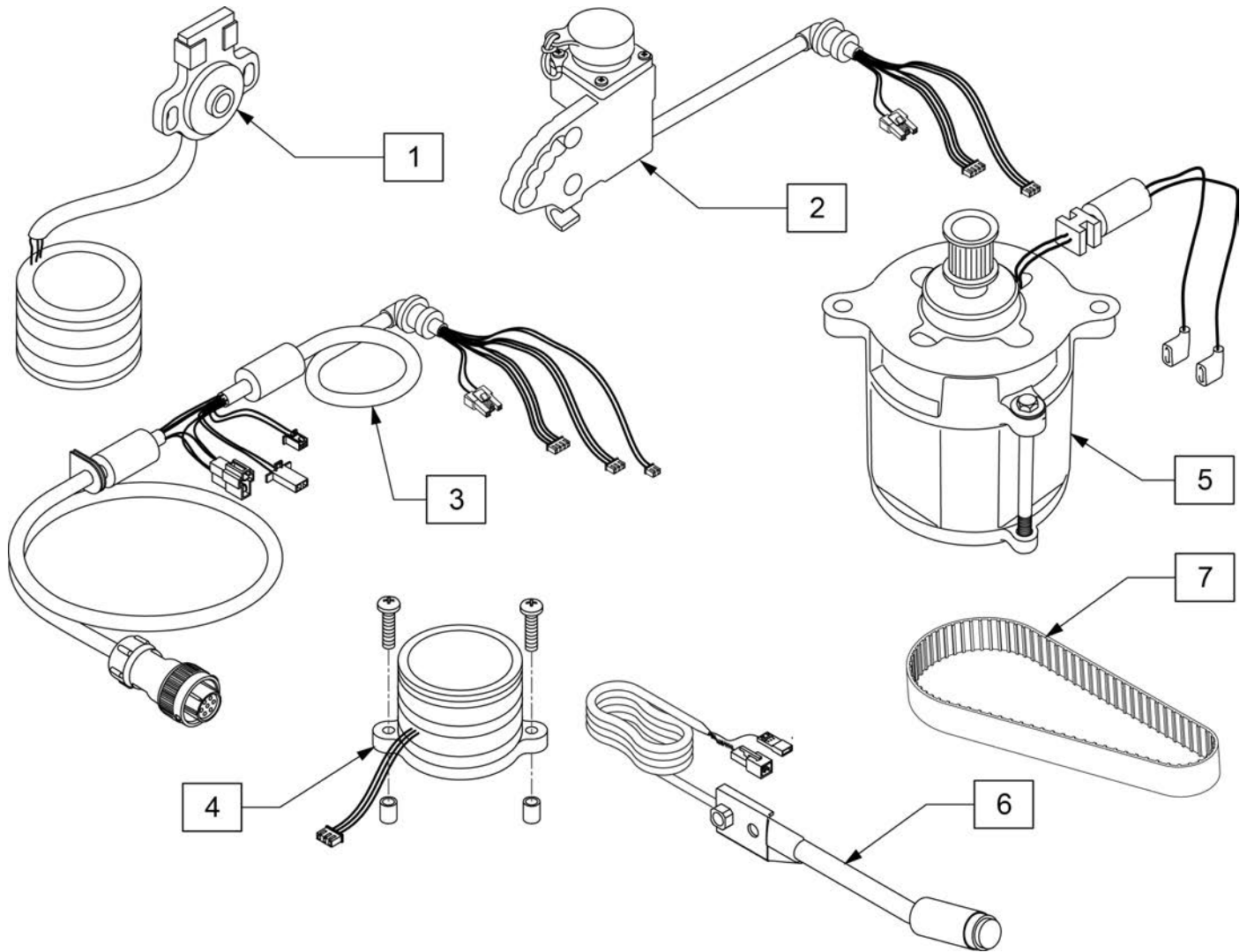
Pos.	Item Number	Description
1	102263-003	SHCS M6 X 1 X 25 W/PL INORG
2	330031	SUSPENSION SPACER 1/2"
3	541011	BRACKET ENGINE 1
4	128077	CAMBER PLUG 0 DEG XTENDER
5	128122	PIN HOLDER KIT

Note: If replacing or retrofitting an Xtender, please contact Customer Service to ensure compatibility.

Note: Battery Type :NiMH- Nickel Metal Hydride, Capacity: 24V x 6.7Ah , Weight 2.9 [kg], Fuse: 20A.



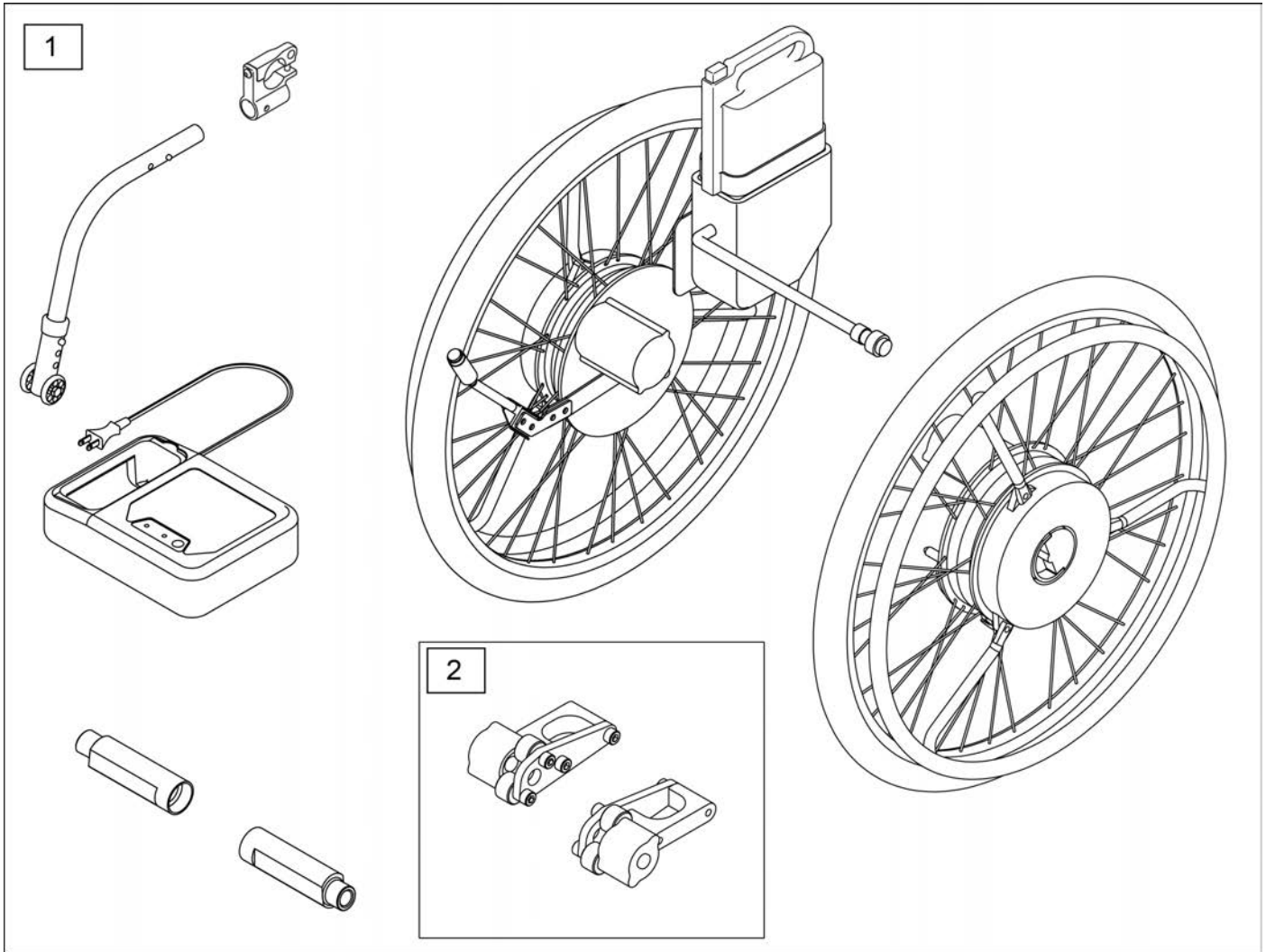
Pos.	Item Number	Description	Remarks
1A	425060	24" XTENDER HANDRIM SS W/HDWR	1.5X Multiplier - Stainless Handrim
1B	425061	24"XTENDER HANDRIM PLST W/HDWR	3X Multiplier - Plastic Coated Handrim
2A	385300	24" PNEUMATIC TIRE	
2B	382325	24" TUBE	
3A,4	114474	CHARGER YAMAHA W/ ADDRESS LBL	Nickel Battery Charger
3B,4	120710	BATTERY CHARGER YAMAHA	Lithium Battery Charger
4	134121	PWR CORD BATT CHARGER YAMAHA	
5	138219	FUSE 20A BLADE	
5-7A	136526	BATTERY YAMAHA	Nickel Battery
5-7B	120649	POWER PACK YAMAHA SPARE LI	Lithium Battery
8	133108	SPOKE SET 24" YAMAHA	INCLUDES 36 SPOKES
9	490013	MOTOR COVER YAMAHA	
10	921763	XTNDR ADJ BRCKT KIT (W/HDWR)	
11	107011	YAMAHA PLATE ASSM KIT	
12	541155	XTNDR QUICK RELEASE AXLE	
13	108273	PWR BUTTON SWITCH	



Pos.	Item Number	Description
1	107008	YAMAHA SENSOR KIT
2	107005	YAMAHA RECEPTICAL KIT
3	107010	YAMAHA COUPLER HRNS
4	107007	YAMAHA ROTARY TRANS KIT
5	107009	YAMAHA MOTOR REPLACEMENT KIT
6	107012	YAMAHA SWITCH KIT
7	107006	YAMAHA DRIVE BELT KIT

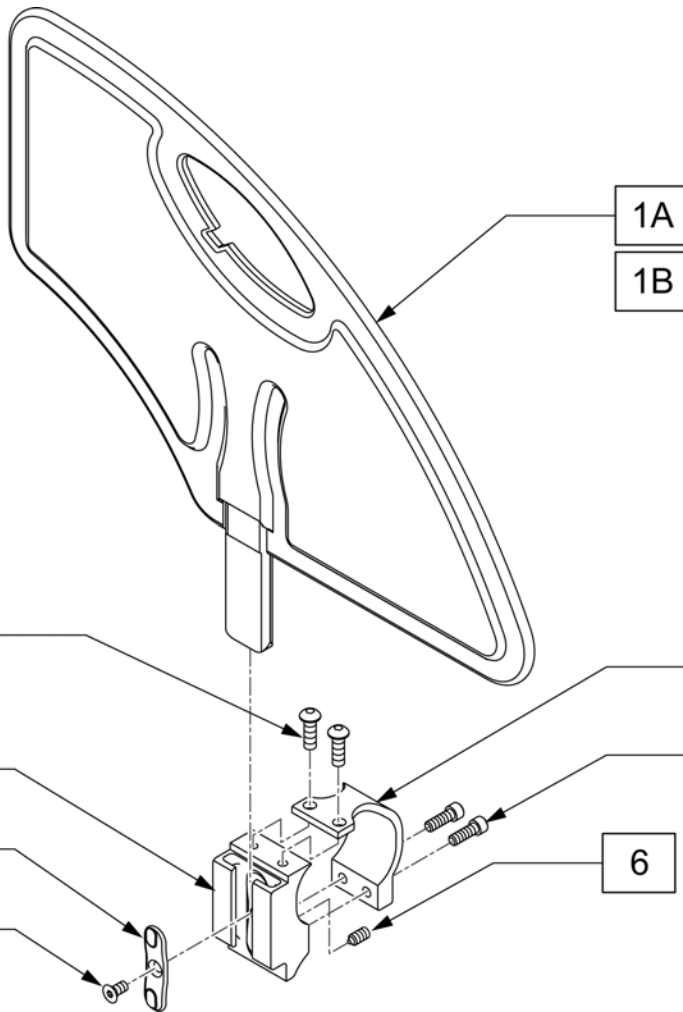
Note: The Yamaha Xtender is not transit approved and can not be added to a chair that is transit approved.

Note: kit numbers 159381-159384 and retro kit hardware 158647 are used for chairs with s/n after R4-023230.

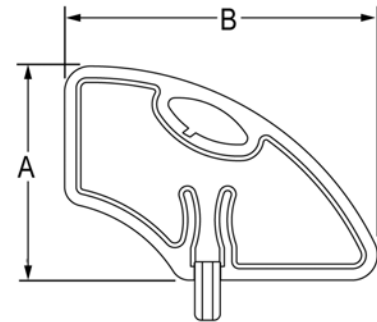


Pos.	Item Number	Description	Remarks
1,2	159381	Xtender retro SS handrim NiMH Batt 4X	Stainless Steel Handrim, Nickel Batt 4X
1,2	159382	Xtender retro PLST handrim NiMH Batt 4X	Plastic Coated Handrim, Nickel Batt 4X
1,2	159383	Xtender retro SS handrim Li-ion Batt 4X	Stainless Steel Handrim, Lithium Batt 4X
1,2	159384	Xtender retro PLST handrim Li-ion Batt 4X	Plastic Coated Handrim, Lithium Batt 4X
2	158647	4X XTENDER RETRO FIT HDW Q7	

NOTE: Right hand side shown.



MEASURING GUIDE

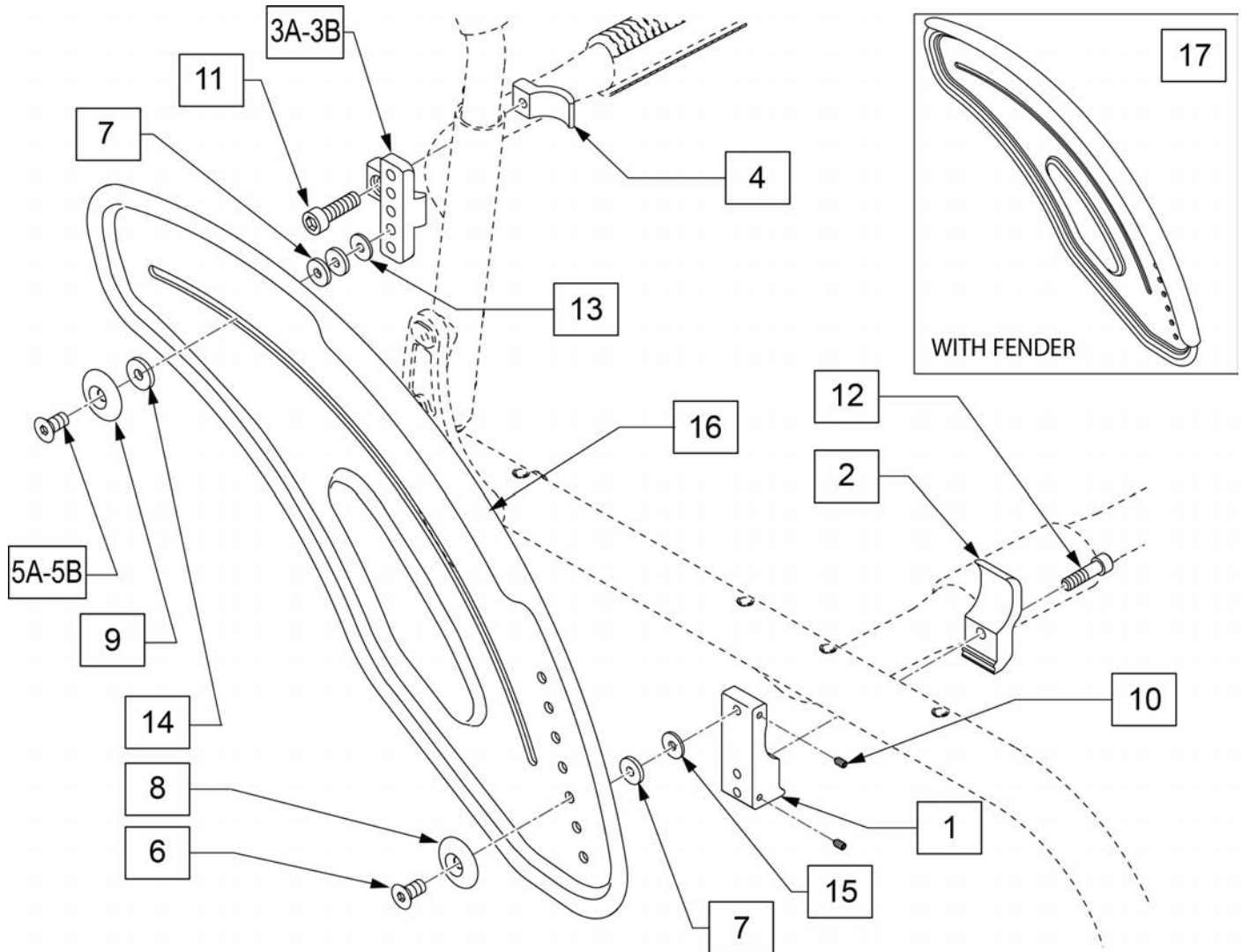


	LOW	STD
"A"	6.4"	8.4"
"B"	11.0"	12.3"

Pos.	Item Number	Description	Remarks
1A	104164-001	SIDE GUARD ASSY STD	Standard
1B	104164-002	SIDE GUARD ASSY SMALL	Low
3	112695	SPHA RECEIVER CLAMP	
4	103184-002	BHCS,M5X0.8X8,FULL,PL	
5	112697	SHCS,M5X0.8X20,FULL,PL	
6	112698	SHSS M5X0.8X8 NP	
7	108780	RECEIVER SG PLASTIC INSERT	
8	107135	FHCS #6-32 X 1/4 BLK	
2-8	115046	PLST SDE GRD REC ASSM	
2,6-8	111695	ASSY PLASTIC SG RECEIVER	
1A-8	115047	PLST SDE GRD REG W/ REC KIT (PR)	Pair-Standard
1B-8	115048	PLST SDE GRD LOW W/ REC KIT (PR)	Pair- Low

ALUMINUM SIDE GUARD

(01/2010)

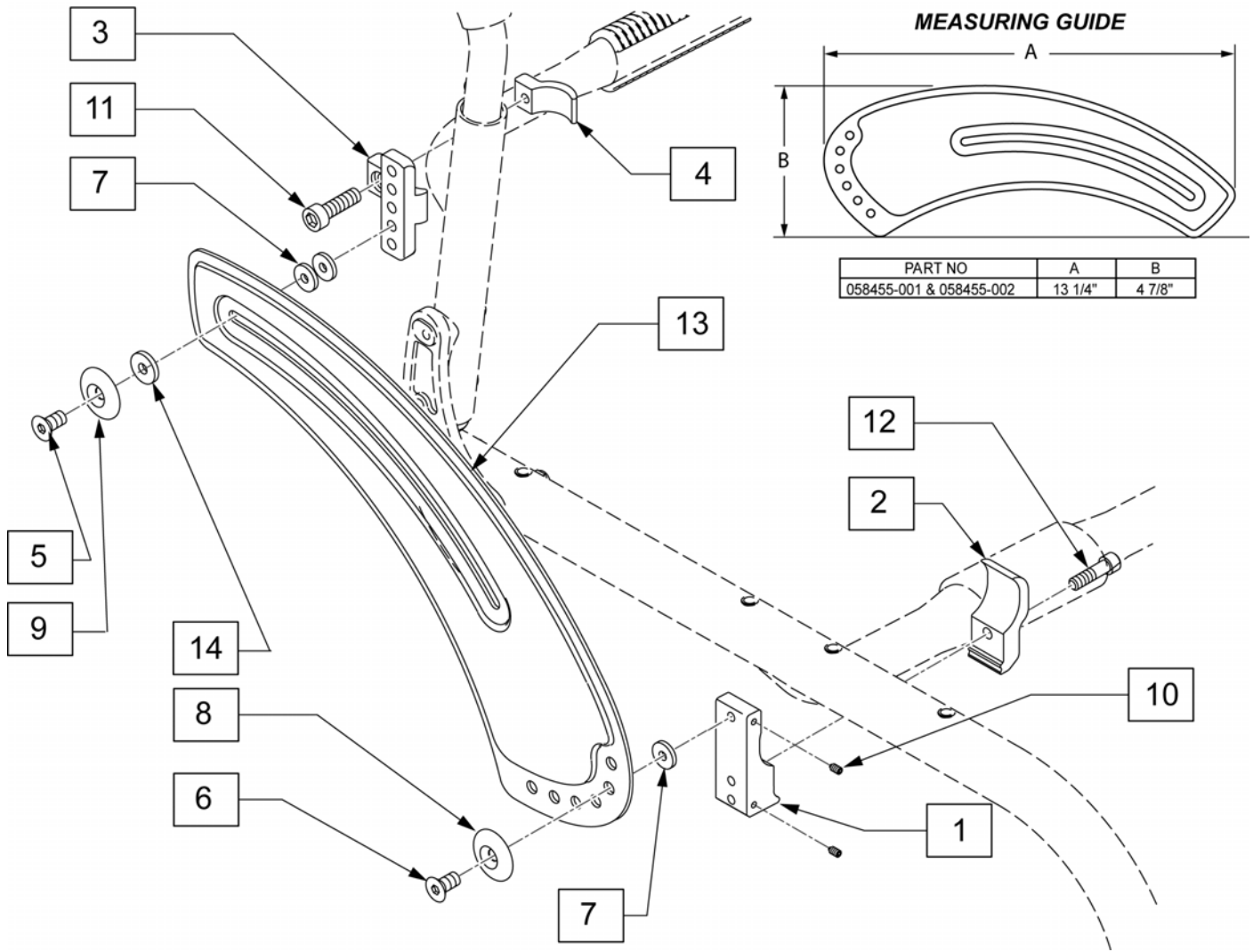


Pos.	Item Number	Description	Remarks
1	111844	MOUNT SIDE GUARD OVAL FRM	
2	111693	SPHA RECEIVER CLAMP	
3A	113299	AL SIDE GUARD REAR REC	prior to s/n RZ-005898
3B	118200	AL S/G REAR REC M5	after s/n RZ-005898
4	113301	AL SIDE GUARD CLAMP	
5A	113360	FH C/S M6 x 1 x 25 FULL PL	prior to s/n RZ-005898
5B	118450	FHCS, M5X0.8X25, FULL, PL	after s/n RZ-005898
6	102265-002	M6 x 1 x 20 FH C/S FULL PL	
7	561026	3/4" WASHER 1/4" HOLE	
8	000 138 017	ALUMINUM SPACER	
9	000 138 014	PLASTIC SPACER	
10	113319	SHSS M4 x 0.7 x 6 FULL NP	
11	102263-005	SHCS, M6 x 1 x 20, FULL, PL	
12	102263-003	SHCS, M6 x 1 x 25, FULL, PL	
13	011111	WASHER M6 X 18 REGULAR BLK	
14	118202	SIDE GUARD SLIDE BSHNG M5	
15	561112	3/4 OD X .318 ID X .25 NYLON	
16	115052S	SIDE GUARD AL W/O FENDER LH	Left
16	115053S	SIDE GUARD AL W/O FENDER RH	Right

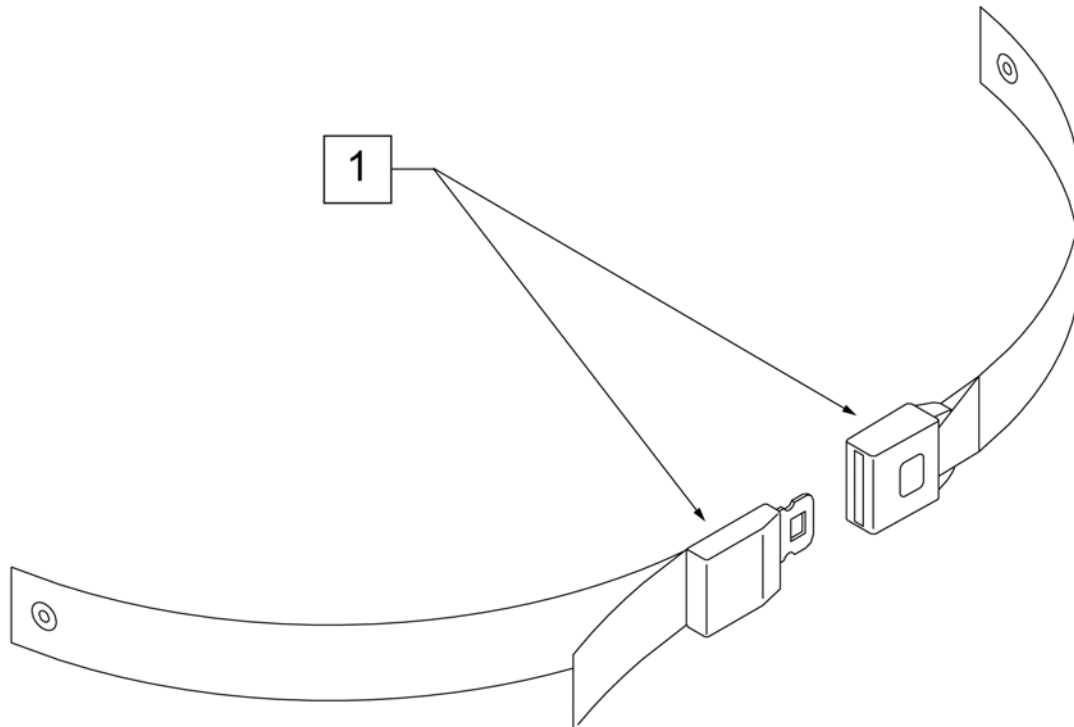
Pos.	Item Number	Description	Remarks
17	115050S	SIDE GUARD AL W/ FENDER LH	Left
17	115051S	SIDE GUARD AL W/ FENDER RH	Right
1-12	115049	SDE GRD REC ASSM	
1-15,17	115054S	SDE GRD AL W/ FNDR KIT (PR)	Pair
1-16	115055S	SDE GRD AL W/O FNDR KIT (PR)	Pair

CARBON FIBER SIDE GUARD

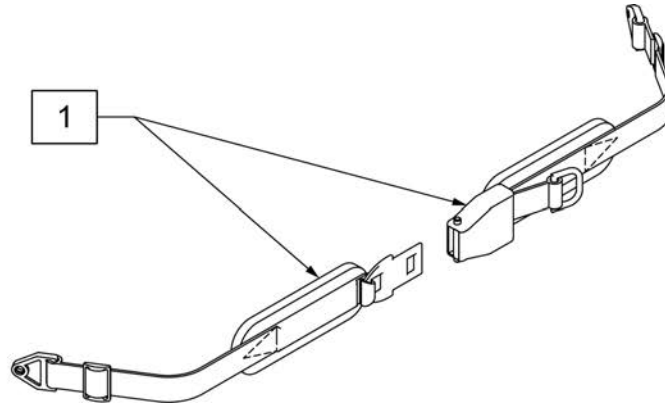
(01/2010)



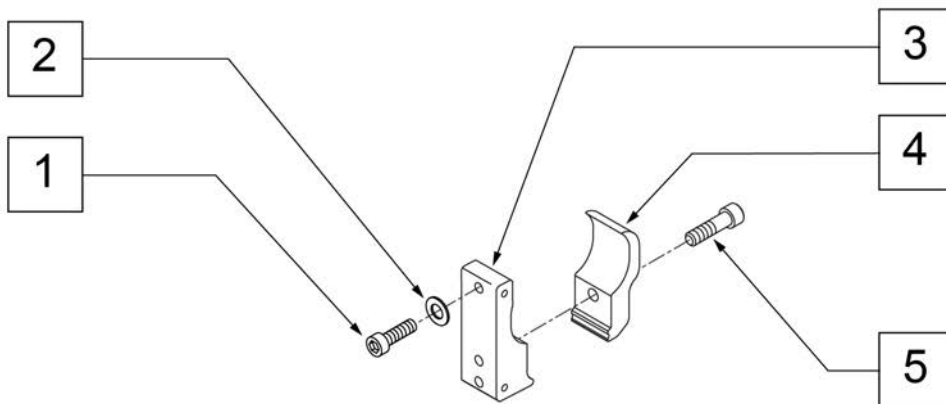
Pos.	Item Number	Description	Remarks
1	111844	MOUNT SIDE GUARD OVAL FRM	
2	111693	SPHA RECEIVER CLAMP	
3	113299	AL SIDE GUARD REAR REC	
4	113301	AL SIDE GUARD CLAMP	
5	113360	FHCS, M6 x 1 x 25 FULL, PL	
6	102265-002	FHCS, M6 x 1 x 20 FULL PL	
7	561026	3/4" WASHER 1/4" HOLE	
8	000 138 017	ALUMINUM SPACER	
9	000 138 014	PLASTIC SPACER	
10	113319	SHSS M4 x 0.7 x 6 FULL NP	
11	102263-005	SHCS, M6 x 1 x 20, FULL, PL	
12	102263-003	SHCS, M6 x 1 x 25, FULL, PL	
13	058455-001	SIDEGUARD CARBON	LEFT
13	058455-002	SIDEGUARD CARBON	RIGHT
14	115220	SIDE GUARD SLIDE BUSHING	
1-12	115049	SDE GRD REC ASSM	
1-13	115056	SIDE GUARD CARBON KIT (PR)	Pair



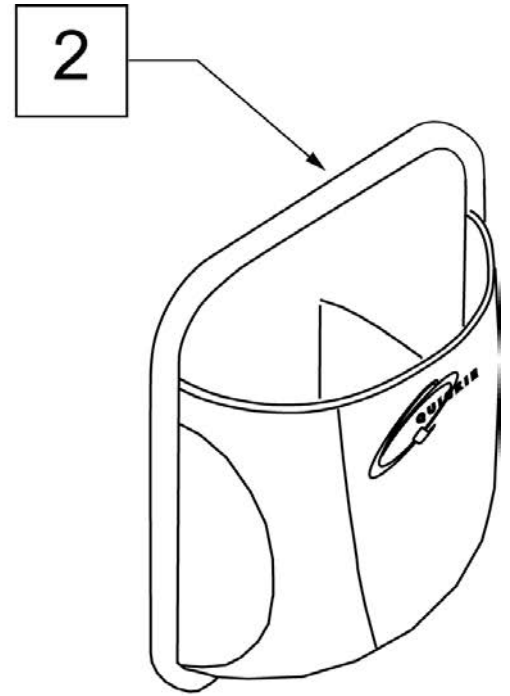
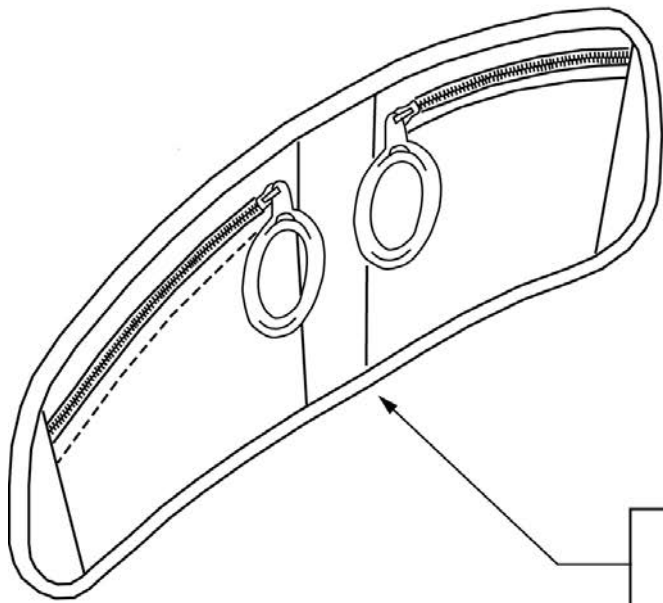
Pos.	Item Number	Description	Remarks
1	750276	1 1/2" POSITION BELT	AUTOSTYLE-64" Max length of belt.



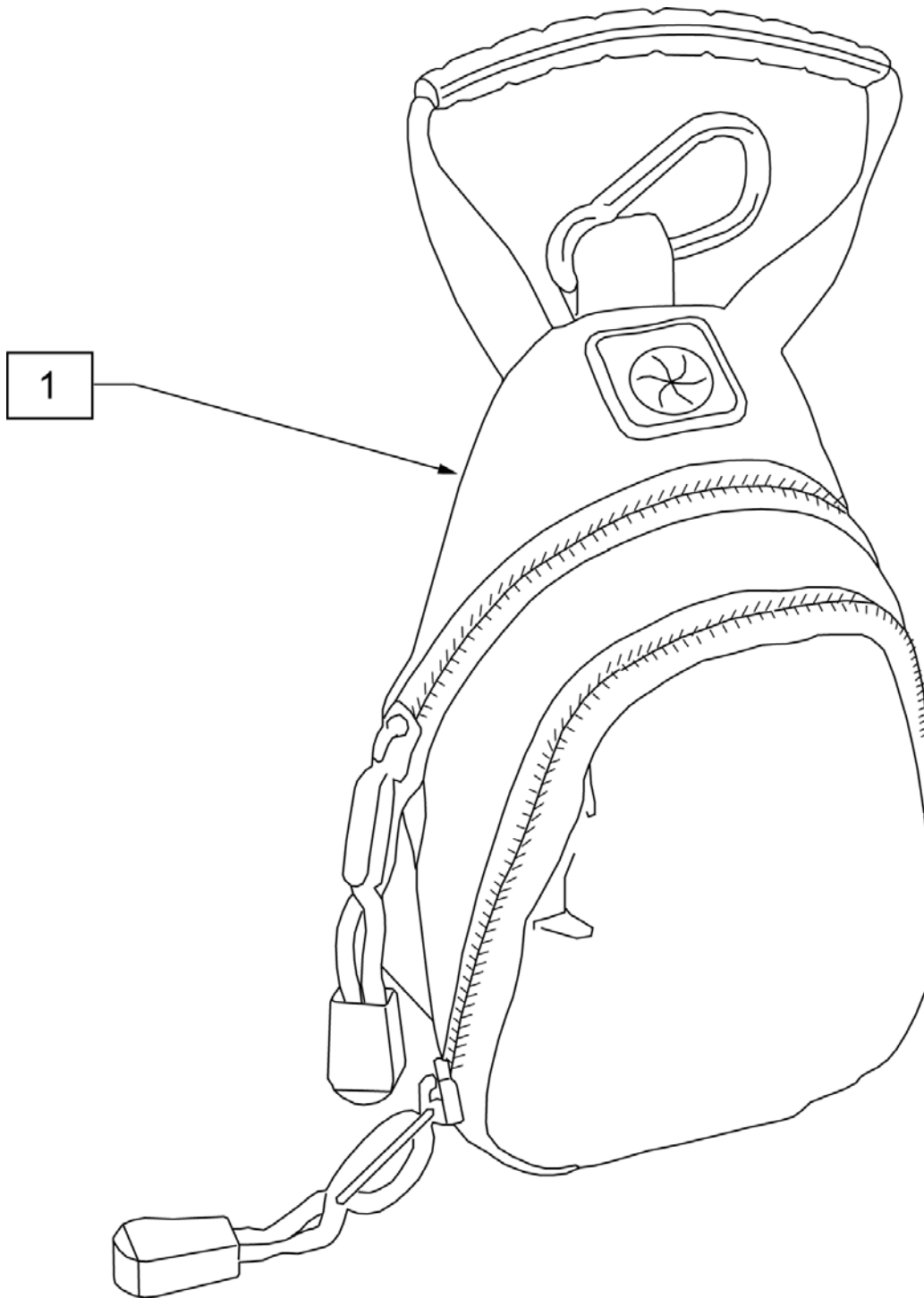
Pos.	Item Number	Description	Remarks
1	450418-QU	BELT 2" AIRCRAFT BUCKLE	max length of belt 64"
1	450423-QU	BELT 2" AIRCRAFT BUCKLE W/PAD	max length of belt 64"
1	450424	BELT 2" AIRCRAFT BKL LONG W/PAD	max length of belt 72"
1	450425	BELT 2" AIRCRAFT BKL LONG	max length of belt 72"
1	450419-QU	BELT 2" AIRCRAFT BKL W/QUAD LP	max length of belt 64"
1	468419	BELT 2" AIRCRT BKL W/QD LPCZ	max length of belt 64"



Pos.	Item Number	Description	Remarks
1	230113	BHCS M6 X 1 X 12	
2	250104	WASHER FLAT M6	
3	111844	MOUNT SIDE GUARD OVAL FRM	
4	111693	SPHA RECEIVER CLAMP	
5	102263-003	SHCS, M6X1X25, FULL, PL	
1-5	116268	OVAL CLAMP ASSM KIT	KIT CONTAINS 1 CLAMP

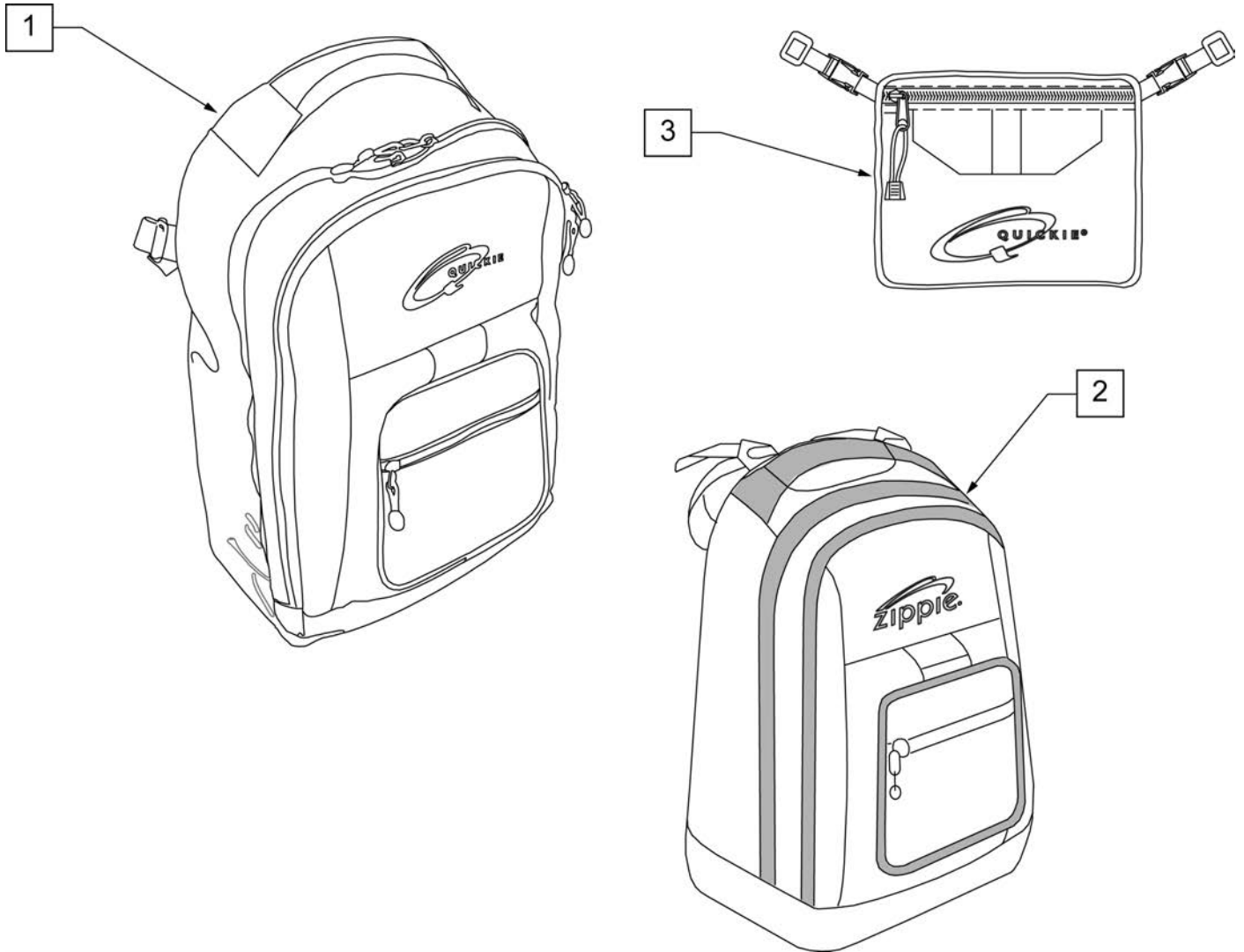


Pos.	Item Number	Description	Remarks
1		discontinued	
2	013475	QUICKIE SIDE POCKET	Size: 6.5"x 6.5"x 2"

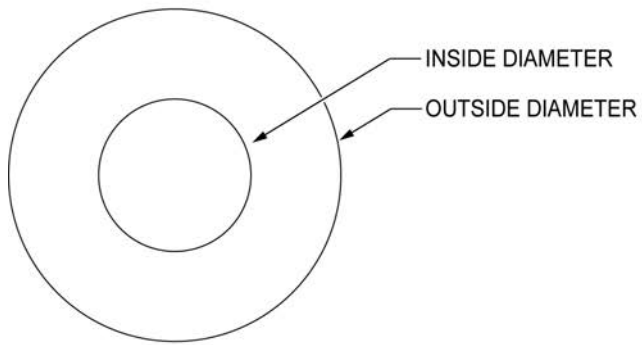
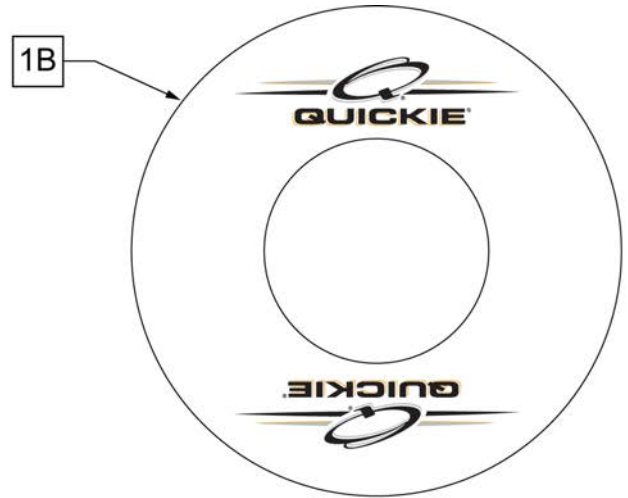
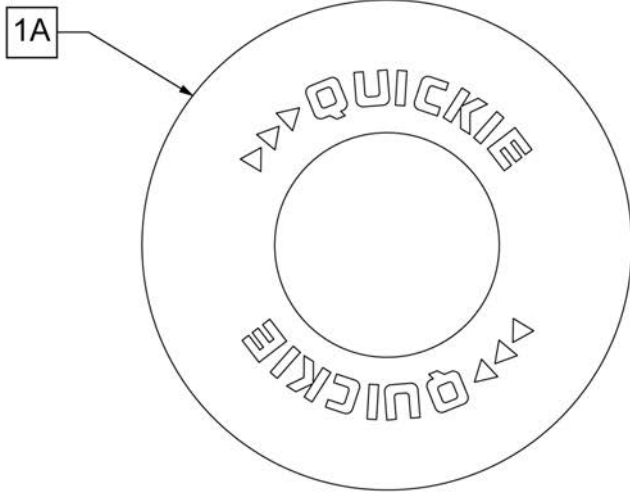


Pos.	Item Number	Description
1	109229	CELL PHONE PACK (ORANGE)

NOTE: KIDS BACKPACKS DO NOT HAVE ADJUSTABLE STRAPS W/ BUCKLES.



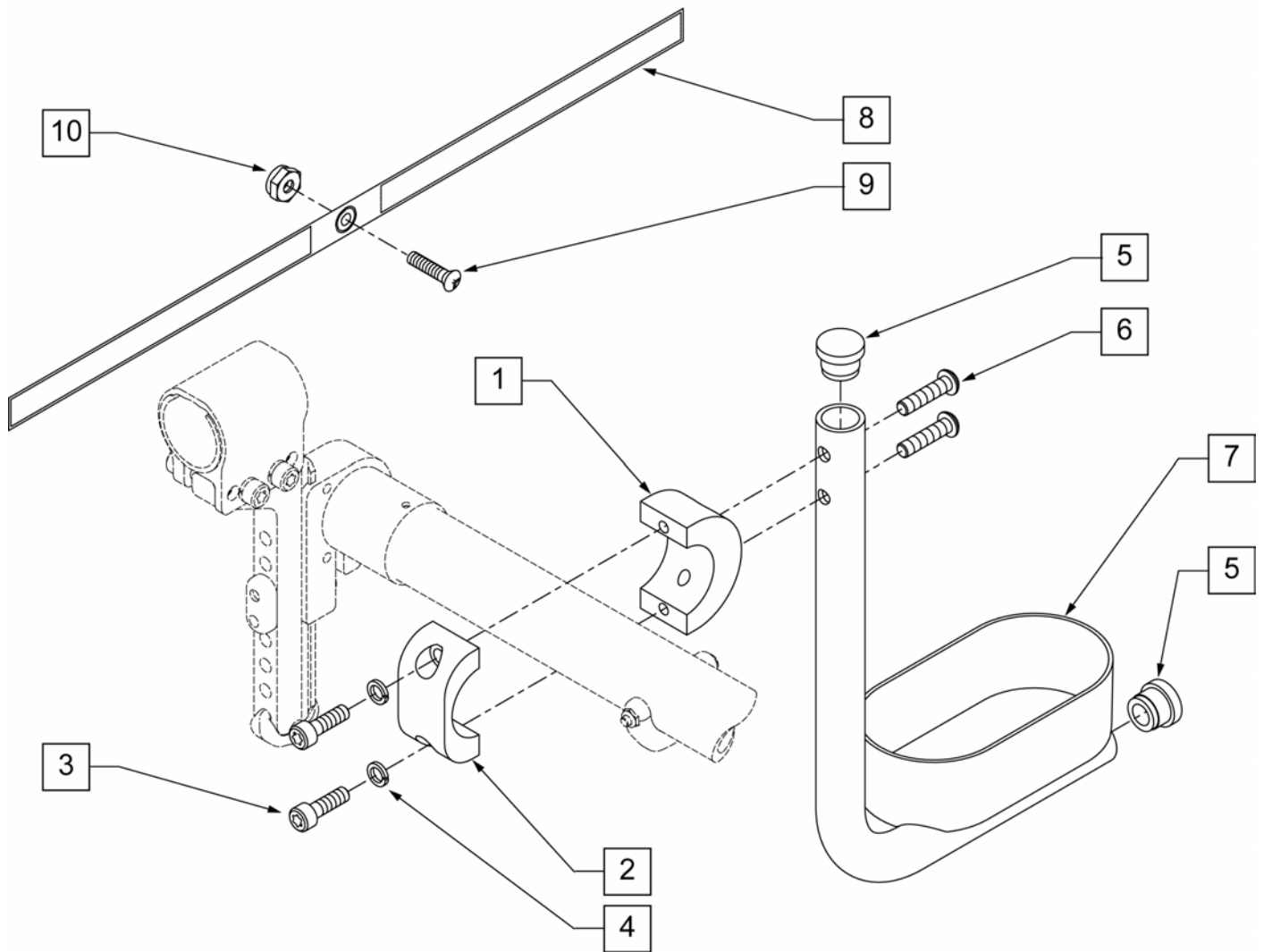
Pos.	Item Number	Description
1	750115	BACK PACK QUICKIE
2	104572	BACKPACK ZIPPIE
3	750307	SEAT POUCH QUICKIE



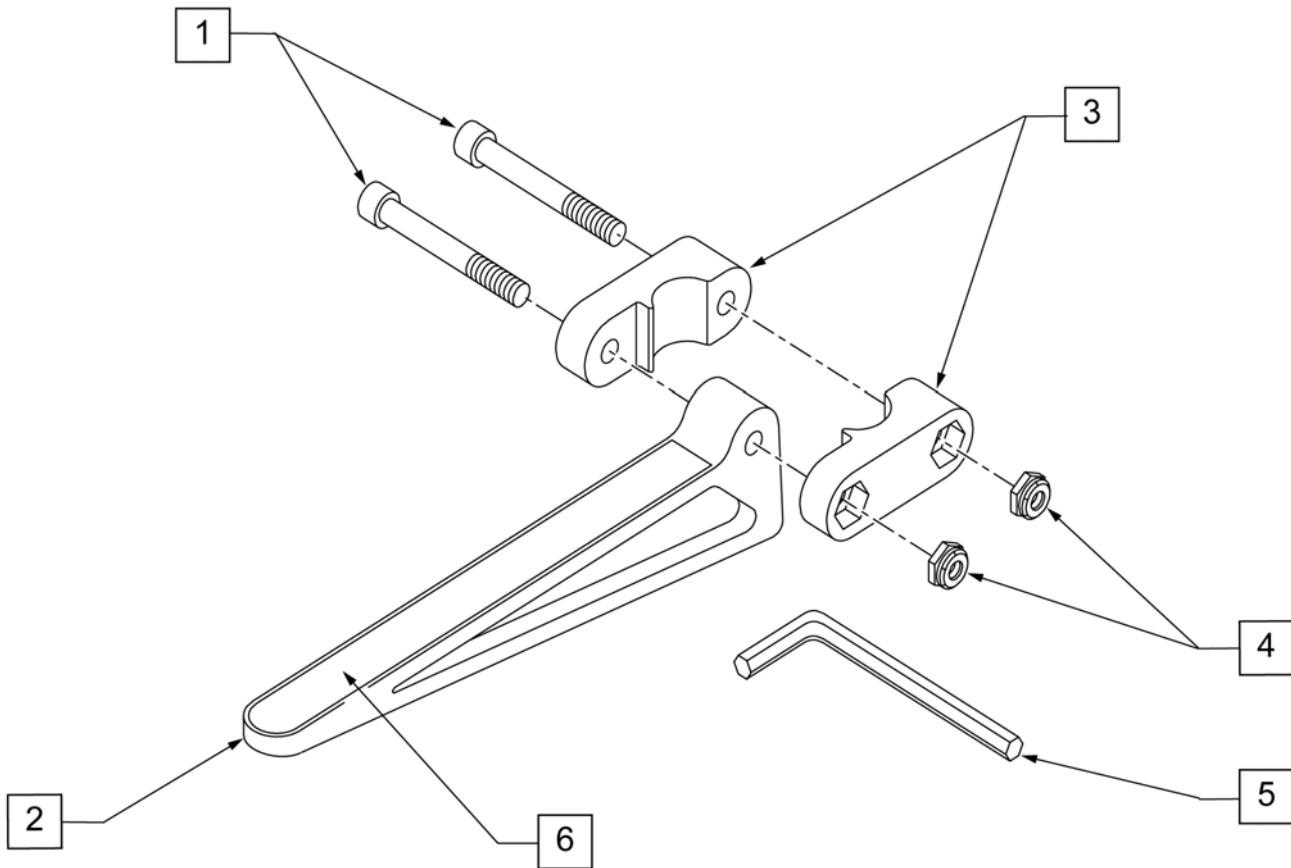
SPOKE GUARD MEASURING GUIDE

PART NUMBER	INSIDE DIAMETER	OUTSIDE DIAMETER
902001	8 1/4	15 7/8
902011	8 1/4	18 1/8
902021	10 1/4	19 5/8
902025	10 1/4	20 3/8
902037	10 1/4	21 7/8
902038	10 1/4	23 3/8
103660-001	8 1/4	16
103660-002	8 1/4	18
103663-001	10 1/4	20 1/2
103663-002	10 1/4	23 1/2
103734-001	10 1/4	19 1/4
103734-002	10 1/4	22
119336	10 1/4	19 1/4

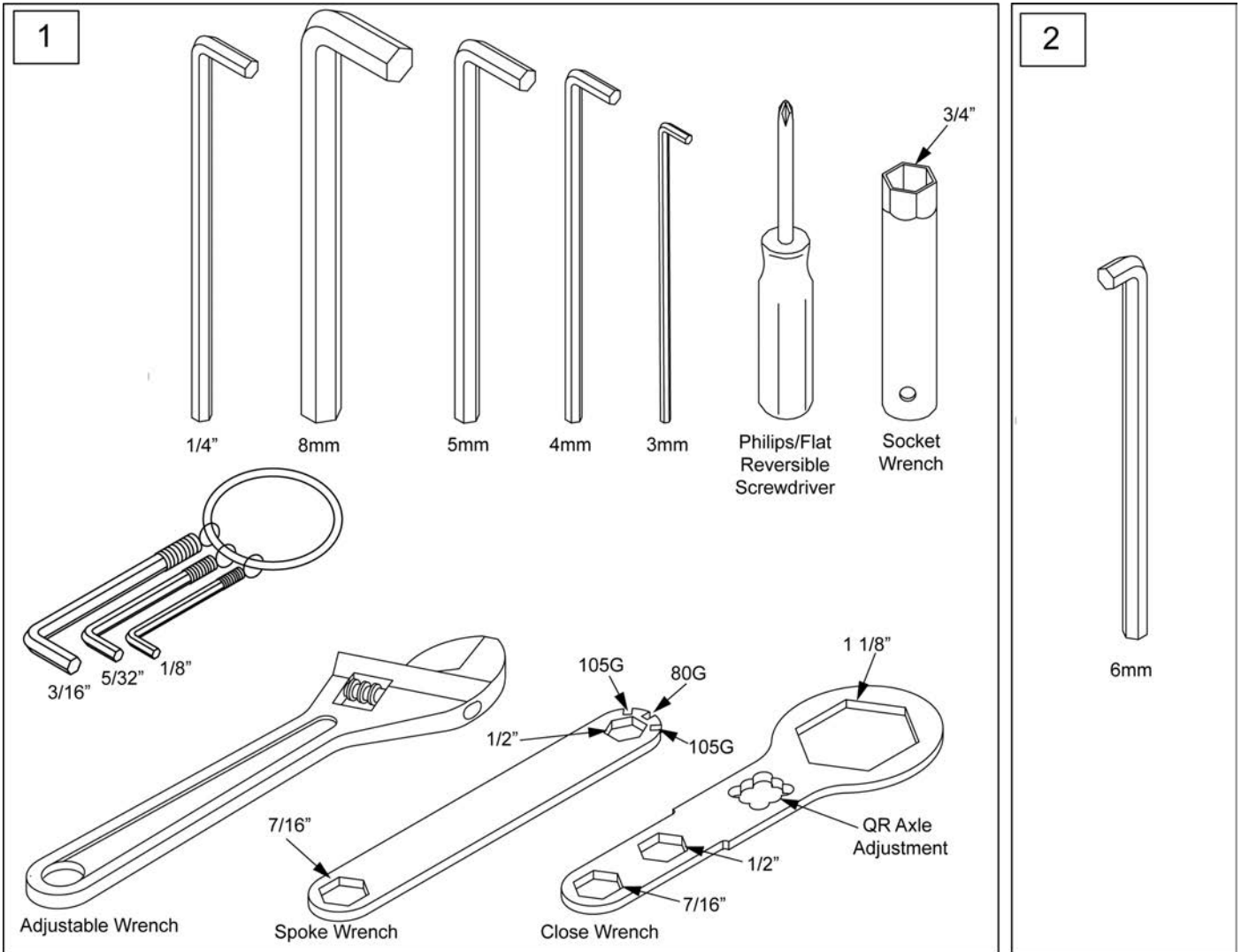
Pos.	Item Number	Description	Remarks
>>>>		BLACK SPOKE GUARDS	
1A	902001	SPK GRDS 20" QUICKIE BLK	Pair-BLACK-FITS 20" WHEELS
1A	902011	SPK GRDS 22" QUICKIE BLK	Pair-BLACK-FITS 22" WHEELS or 24" (540) WHEELS W/ PROJECTION HANDRIMS
1A	902021	SPK GRD 24" QUICKIE SCR MT BLK	Pair-BLACK-FITS 24" (540) MAG & SPOKE WHEELS
1A	902025	SPK GRD 24" QUICKIE TAB MT BLK	Pair-BLACK-FITS 25" (559) SPOKE WHEELS
1A	902037	SPK GRD 26" QUICKIE TAB MT BLK	Pair-BLACK-FITS 26" (590) WHEELS
1A	902038	SPK GRD 26" QUICKIE HT BLK	Pair-BLACK-FITS 27" (700) WHEELS
>>>>		CLEAR SPOKE GUARDS	
1B	103660-001	CLEAR SPOKE GUARD 20"	Pair-CLEAR-FITS 20" WHEELS
1B	103660-002	CLEAR SPOKE GUARD 22"	Pair-CLEAR-FITS 22" WHEELS or 24" (540) WHEELS W/ PROJECTION HANDRIMS
1B	103734-001	SPOKE GUARD 24" CLR	Pair-CLEAR-FITS 24" (540) SPOKE WHEELS
1B	119336	SPOKE GUARD 24" CLR	Pair-CLEAR-FITS 24" (540) MAG WHEELS
1B	103663-001	SPOKE GUARD 24" QP CLR	Pair-CLEAR-FITS 25" (559) WHEELS
1B	103734-002	SPOKE GUARD 26" CLR	Pair-CLEAR-FITS 26" (590) WHEELS
1B	103663-002	SPOKE GUARD 26" QP CLR	Pair-CLEAR-FITS 27"(700) WHEELS



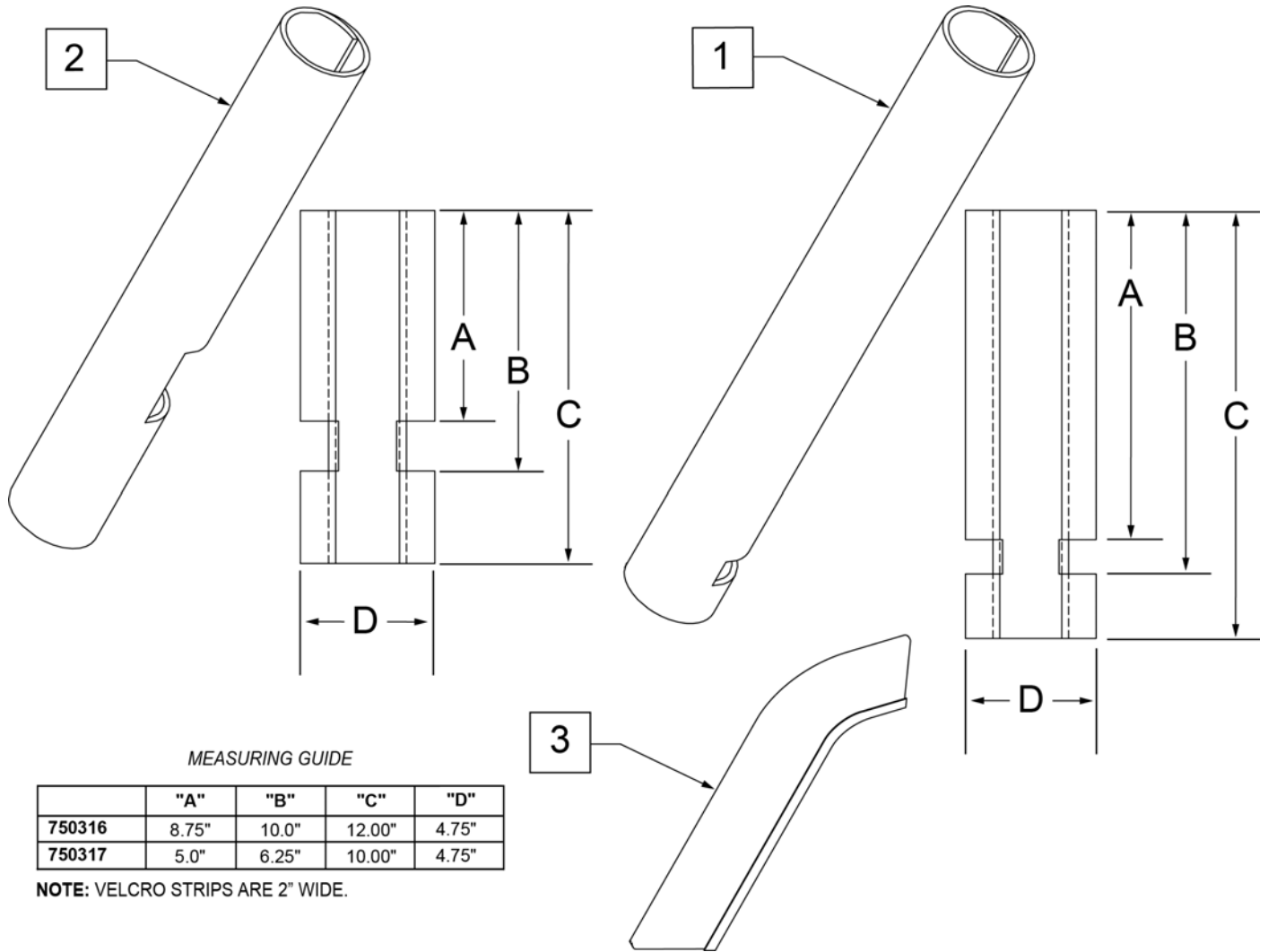
Pos.	Item Number	Description
1	050076	CLAMP SADDLE CRUTCH HOLDER
2	050077	CLAMP CRUTCH HOLDER
3	102263-001	SHCS M6 x 1 x 16 FULL NP
4	050129-001	LOCKWASHER HIGH COLLAR M6
5	561000-QU	3/4" INSERT PLUG .083
6	102262-004	BHCS M6 X 1 X 25 W/PL INORG
8	750495	CRUTCH HOLDER STRAP F
9	281110	10-32 X 1/2 PAN PHIL
10	200100-QU	10-32 NYLOCK NUT
1-10	050169	ASSM CRUTCH HOLDER GT W/HDWR



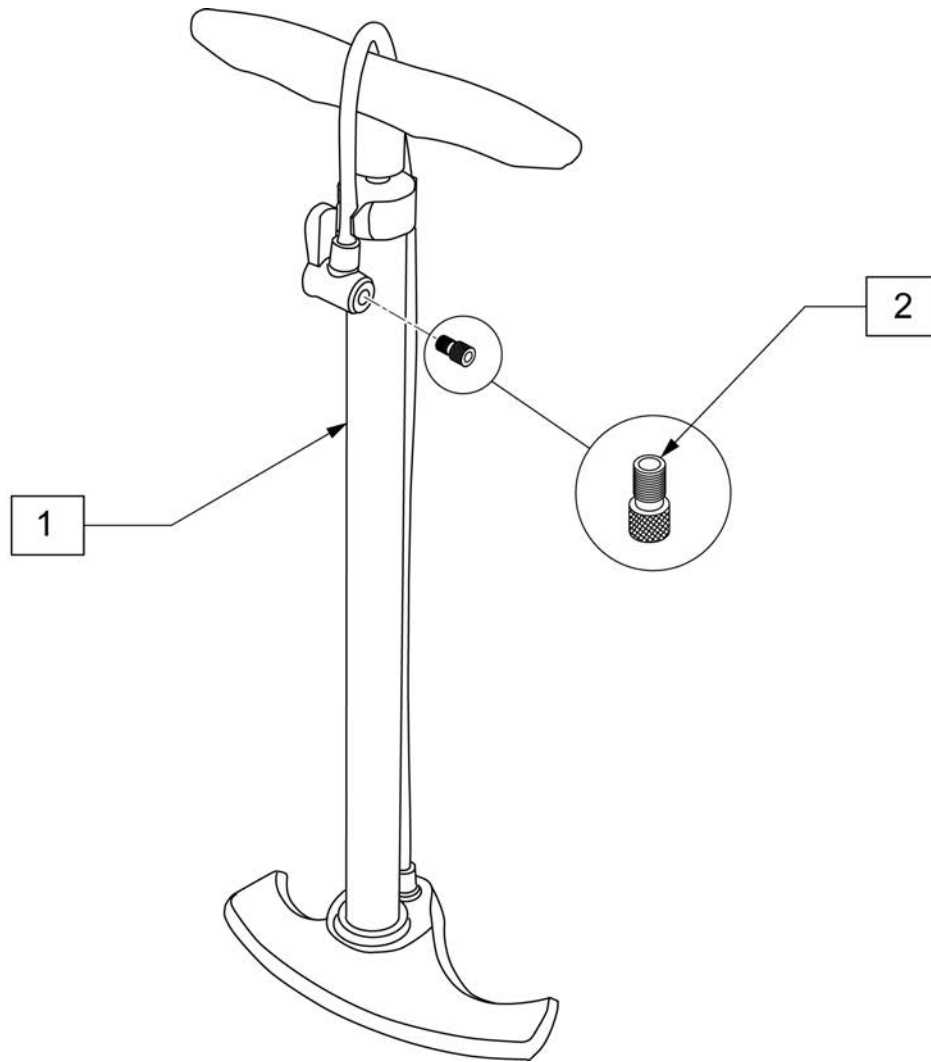
Pos.	Item Number	Description
1	106975	1/4-28 x 1 1/4 SOC C/S
2	561105	CADDY ARM
3	561104	CADDY CLAMP
4	106935	1/4-28 NYLOCK NUT THIN
5	349998	3/16" ALLEN WRENCH
6	580050	CADDY TAPE
1-6	902350	QUICKIE CADDY (PR)



Pos.	Item Number	Description	Remarks
1	108314	QUICKIE COMBO TOOL KIT	Includes pouch
2	113403	6MM ALLEN WRENCH L, 7MM SHORT	caster spline chairs only



Pos.	Item Number	Description	Remarks
1	750316	IMPACT GUARDS NEOPRENE FIXED (PR)	PAIR-Fixed Front Frame
2	750317	IMPACT GUARDS NEOPRENE S/A	PAIR-S/A Footrest & Q7
3	109231	GEL VELCRO PAD HANGER/FRAME	PAIR- fits S/A & Fixed Front Frame
4	108315	GEL PAD SA ARM	Single, fits Padded SA Armrest

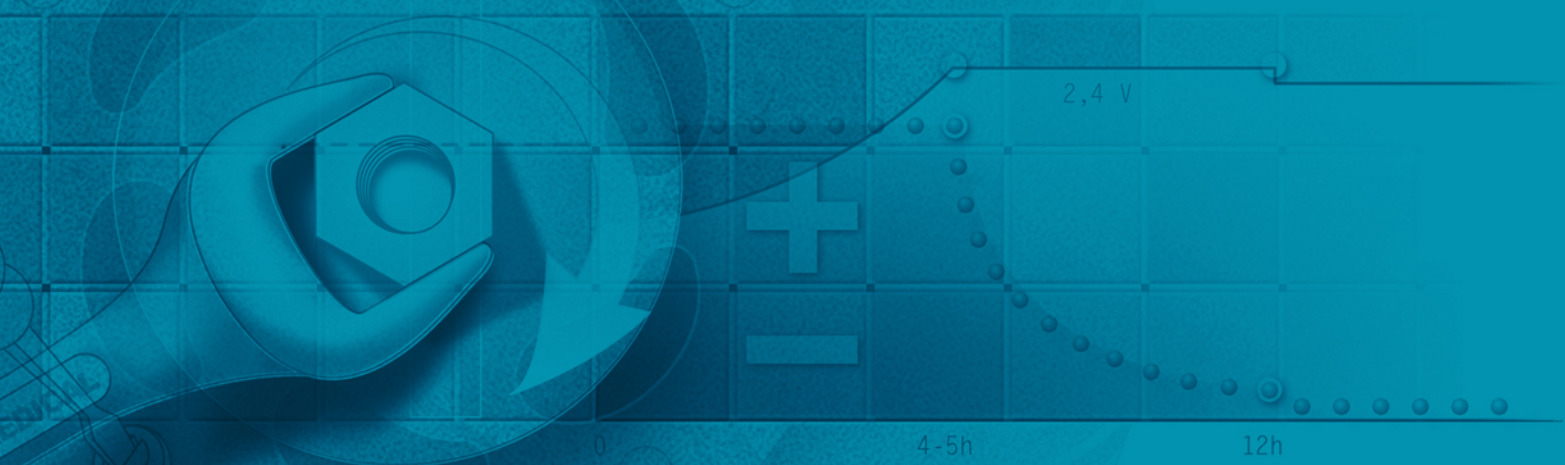


Pos.	Item Number	Description
1	389050	TIRE PUMP
2	381230	VALVE ADAPTER PRESTA

Product



QUICKIE®



QUICKIE Q7