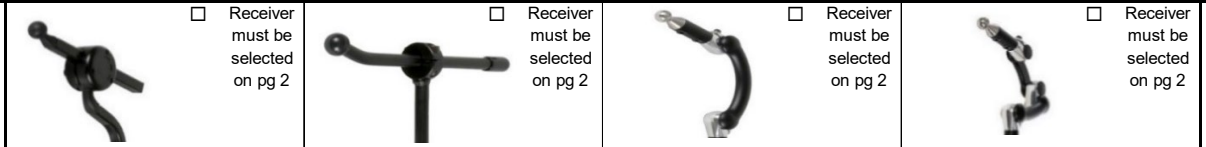


Mark For: _____
 Date: _____
 Dealer Acct #: _____
 Dealer: _____
 Dealer Contact: _____
 Dealer Address: _____
 Dealer City: _____ Prov: _____ PC: _____
 Dealer Phone: () _____ Fax: () _____
 Confirmation Email: _____
 Confirm Via: Fax Email

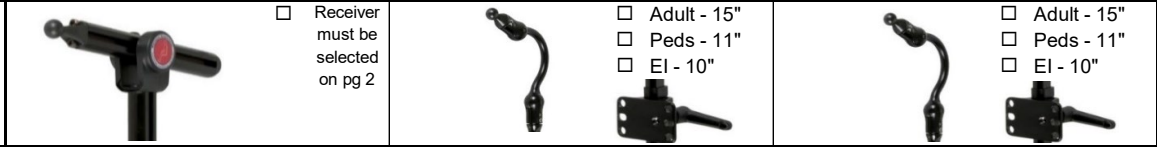
Submitting for: Quote Order
 PO#: _____
ADDITIONAL SHIPPING INFORMATION
 Ship To: _____
 Attention: _____
 Address: _____
 Address: _____
 Ship To City: _____ Prov: _____ PC: _____
 Ship To Phone: () _____ Fax: () _____

Head Positioning
 Whitmyer headrests come unassembled. Please add item WHITASSY001 if the dealer would like parts assembled. This is a no charge option.
 Note: For cover selection, L = Lycra and V = Dartex Reversed (Example: AXYS-HUFALL or AXYS-HUFALV)



PAD		AXYS	ONYX	LINX	LINX ²	
HEADS UP - COMMON SIZES	Fixed Arm	Large	<input type="checkbox"/> AXYS-HUFALL \$435	<input type="checkbox"/> ONYX-HUFALL \$435	<input type="checkbox"/> LINX-HUFALL \$435	<input type="checkbox"/> LINX2-HUFALL \$520
		Medium	<input type="checkbox"/> AXYS-HUFALV \$435	<input type="checkbox"/> ONYX-HUFALV \$435	<input type="checkbox"/> LINX-HUFALV \$435	<input type="checkbox"/> LINX2-HUFALV \$520
		Small	<input type="checkbox"/> AXYS-HUFAML \$435	<input type="checkbox"/> ONYX-HUFAML \$435	<input type="checkbox"/> LINX-HUFAML \$435	<input type="checkbox"/> LINX2-HUFAML \$520
		Early Intervention	<input type="checkbox"/> AXYS-HUFAMV \$435	<input type="checkbox"/> ONYX-HUFAMV \$435	<input type="checkbox"/> LINX-HUFAMV \$435	<input type="checkbox"/> LINX2-HUFAMV \$520
		Small	<input type="checkbox"/> AXYS-HUFASL \$435	<input type="checkbox"/> ONYX-HUFASL \$435	<input type="checkbox"/> LINX-HUFASL \$435	<input type="checkbox"/> LINX2-HUFASL \$520
		Early Intervention	<input type="checkbox"/> AXYS-HUFASV \$435	<input type="checkbox"/> ONYX-HUFASV \$435	<input type="checkbox"/> LINX-HUFASV \$435	<input type="checkbox"/> LINX2-HUFASV \$520
	Swing-Away Arms*	Large	<input type="checkbox"/> AXYS-HUFAEIL \$435	<input type="checkbox"/> ONYX-HUFAEIL \$435	<input type="checkbox"/> LINX-HUFAEIL \$435	<input type="checkbox"/> LINX2-HUFAEIL \$520
		Medium	<input type="checkbox"/> AXYS-HUFAEIV \$435	<input type="checkbox"/> ONYX-HUFAEIV \$435	<input type="checkbox"/> LINX-HUFAEIV \$435	<input type="checkbox"/> LINX2-HUFAEIV \$520
		Large	<input type="checkbox"/> AXYS-HUSALL \$520	<input type="checkbox"/> ONYX-HUSALL \$520	<input type="checkbox"/> LINX-HUSALL \$520	<input type="checkbox"/> LINX2-HUSALL \$560
		Medium	<input type="checkbox"/> AXYS-HUSALV \$520	<input type="checkbox"/> ONYX-HUSALV \$520	<input type="checkbox"/> LINX-HUSALV \$520	<input type="checkbox"/> LINX2-HUSALV \$560
		Small	<input type="checkbox"/> AXYS-HUSAML \$520	<input type="checkbox"/> ONYX-HUSAML \$520	<input type="checkbox"/> LINX-HUSAML \$520	<input type="checkbox"/> LINX2-HUSAML \$560
		Early Intervention	<input type="checkbox"/> AXYS-HUSAMV \$520	<input type="checkbox"/> ONYX-HUSAMV \$520	<input type="checkbox"/> LINX-HUSAMV \$520	<input type="checkbox"/> LINX2-HUSAMV \$560
Small	<input type="checkbox"/> AXYS-HUSASL \$520	<input type="checkbox"/> ONYX-HUSASL \$520	<input type="checkbox"/> LINX-HUSASL \$520	<input type="checkbox"/> LINX2-HUSASL \$560		
Early Intervention	<input type="checkbox"/> AXYS-HUSASV \$520	<input type="checkbox"/> ONYX-HUSASV \$520	<input type="checkbox"/> LINX-HUSASV \$520	<input type="checkbox"/> LINX2-HUSASV \$560		
		<input type="checkbox"/> AXYS-HUSAEIL \$520	<input type="checkbox"/> ONYX-HUSAEIL \$520	<input type="checkbox"/> LINX-HUSAEIL \$520	<input type="checkbox"/> LINX2-HUSAEIL \$560	
		<input type="checkbox"/> AXYS-HUSAEIV \$520	<input type="checkbox"/> ONYX-HUSAEIV \$520	<input type="checkbox"/> LINX-HUSAEIV \$520	<input type="checkbox"/> LINX2-HUSAEIV \$560	

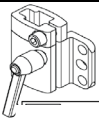
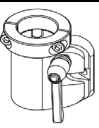

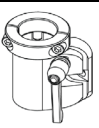
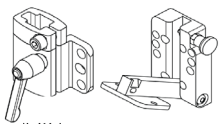
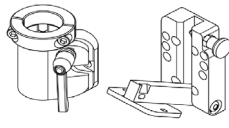
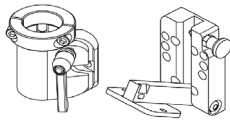
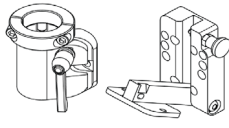
Head Positioning
 Whitmyer headrests come unassembled. Please add item WHITASSY001 if the dealer would like parts assembled. This is a no charge option.



PAD		PRO	COBRA	COBRA-FB	
HEADS UP - COMMON SIZES	Fixed Arm	Large	<input type="checkbox"/> PRO-HUFALL \$520	<input type="checkbox"/> COBRA-HUFALL \$769	<input type="checkbox"/> FBCOB-HUFALL \$882
		Medium	<input type="checkbox"/> PRO-HUFALV \$520	<input type="checkbox"/> COBRA-HUFALV \$769	<input type="checkbox"/> FBCOB-HUFALV \$882
		Small	<input type="checkbox"/> PRO-HUFAML \$520	<input type="checkbox"/> COBRA-HUFAML \$769	<input type="checkbox"/> FBCOB-HUFAML \$882
		Early Intervention	<input type="checkbox"/> PRO-HUFAMV \$520	<input type="checkbox"/> COBRA-HUFAMV \$769	<input type="checkbox"/> FBCOB-HUFAMV \$882
		Small	<input type="checkbox"/> PRO-HUFASL \$520	<input type="checkbox"/> COBRA-HUFASL \$769	<input type="checkbox"/> FBCOB-HUFASL \$882
		Early Intervention	<input type="checkbox"/> PRO-HUFASV \$520	<input type="checkbox"/> COBRA-HUFASV \$769	<input type="checkbox"/> FBCOB-HUFASV \$882
	Swing-Away Arms*	Large	<input type="checkbox"/> PRO-HUFAEIL \$520	<input type="checkbox"/> COBRA-HUFAEIL \$769	<input type="checkbox"/> FBCOB-HUFAEIL \$882
		Medium	<input type="checkbox"/> PRO-HUFAEIV \$520	<input type="checkbox"/> COBRA-HUFAEIV \$769	<input type="checkbox"/> FBCOB-HUFAEIV \$882
		Large	<input type="checkbox"/> PRO-HUSALL \$632	<input type="checkbox"/> COBRA-HUSALL \$848	<input type="checkbox"/> FBCOB-HUSALL \$960
		Medium	<input type="checkbox"/> PRO-HUSALV \$632	<input type="checkbox"/> COBRA-HUSALV \$848	<input type="checkbox"/> FBCOB-HUSALV \$960
		Small	<input type="checkbox"/> PRO-HUSAML \$632	<input type="checkbox"/> COBRA-HUSAML \$848	<input type="checkbox"/> FBCOB-HUSAML \$960
		Early Intervention	<input type="checkbox"/> PRO-HUSAMV \$632	<input type="checkbox"/> COBRA-HUSAMV \$848	<input type="checkbox"/> FBCOB-HUSAMV \$960
Small	<input type="checkbox"/> PRO-HUSASL \$632	<input type="checkbox"/> COBRA-HUSASL \$848	<input type="checkbox"/> FBCOB-HUSASL \$960		
Early Intervention	<input type="checkbox"/> PRO-HUSASV \$632	<input type="checkbox"/> COBRA-HUSASV \$848	<input type="checkbox"/> FBCOB-HUSASV \$960		
		<input type="checkbox"/> PRO-HUSAEIL \$632	<input type="checkbox"/> COBRA-HUSAEIL \$848	<input type="checkbox"/> FBCOB-HUSAEIL \$960	
		<input type="checkbox"/> PRO-HUSAEIV \$632	<input type="checkbox"/> COBRA-HUSAEIV \$848	<input type="checkbox"/> FBCOB-HUSAEIV \$960	

Mounting Brackets


Head Support System Mounting Brackets must be ordered separately, except for COBRA

	AXYS	ONYX	LINX & LINX ²	PRO	
REMOVABLE MOUNTING BRACKET (PART SOLD SEPARATELY FROM POST & PAD)					COBRA mounting system includes detachable mounting bracket
Detachable	<input type="checkbox"/> M2500 \$175	<input type="checkbox"/> M2100-WB \$146	<input type="checkbox"/> M2300 \$157	<input type="checkbox"/> M2200-WB \$316	
REMOVABLE & SWING-AWAY MNT BRACKET (PART SOLD SEPARATELY FROM POST & PAD)					
Swing-Away	<input type="checkbox"/> M5500 \$333	<input type="checkbox"/> M5100 \$316	<input type="checkbox"/> M5300 \$451	<input type="checkbox"/> M5200 \$457	

HEADS UP - HEAD AND NECK POSITIONING SYSTEM ORDERING GUIDE

Head Support System Mounting Brackets must be ordered separately, except for COBRA

STEP 1: SELECT HARDWARE SYSTEM

							
	<input type="checkbox"/> AXYS-HU-	<input type="checkbox"/> ONYX-HU-	<input type="checkbox"/> LINX-HU-	<input type="checkbox"/> LINX2-HU-	<input type="checkbox"/> PRO-HU-	<input type="checkbox"/> COBRA-HU-	<input type="checkbox"/> FBCOB-HU-
W/O OCC Pad	\$520	\$520	\$520	\$560	\$632	\$848	\$882
W/ OCC Pad	\$684	\$684	\$520	\$560	\$735	\$972	\$1,073

STEP 2: SELECT NECK WIDTH



<input type="checkbox"/> I = Infant 3.3" wide
<input type="checkbox"/> S = Small 4" wide
<input type="checkbox"/> M = Medium 4.6" wide
<input type="checkbox"/> L = Large 5.8" wide

STEP 4: SELECT SWING OUT SUPPORT ARM LENGTH



<input type="checkbox"/> S = Short
<input type="checkbox"/> L = Long
<i>Infant & Small: Short = 5.63" Long = 7.25"</i>
<i>Medium & Large: Short = 7" Long = 9"</i>

STEP 5: SELECT FOAM TYPE

<input type="checkbox"/> S = Standard
<input type="checkbox"/> C = Comfort

STEP 6: SELECT COVER


<input type="checkbox"/> L = Lycra Neoprene
<input type="checkbox"/> V = Dartex Reversed

STEP 7: SELECT OPTIONAL OCC PADS


Available on Short Heights Only

<input type="checkbox"/> -O5 = Pediatric 5" Pad (Short Infant Sizes)
<input type="checkbox"/> -O6 = Adult 6" Pad (Short Small Sizes)
<input type="checkbox"/> -O8 = Plush 8" Pad (Short Medium Sizes)
<input type="checkbox"/> -O10 = Plush 10" Pad (Short Large Sizes)
<input type="checkbox"/> N/A

STEP 3: SELECT CONTOUR CRADLE HEIGHT



Tall



Short
shown with Occipital Pad (Step 7)

<input type="checkbox"/> T = Tall
<input type="checkbox"/> S = Short

BUILD YOUR HEADS UP SMART PART NUMBER

STEP 1
Enter Hardware System Part Number

STEP 2
Enter I, S, M, or L

STEP 3
Enter T or S

STEP 4
Enter S or L

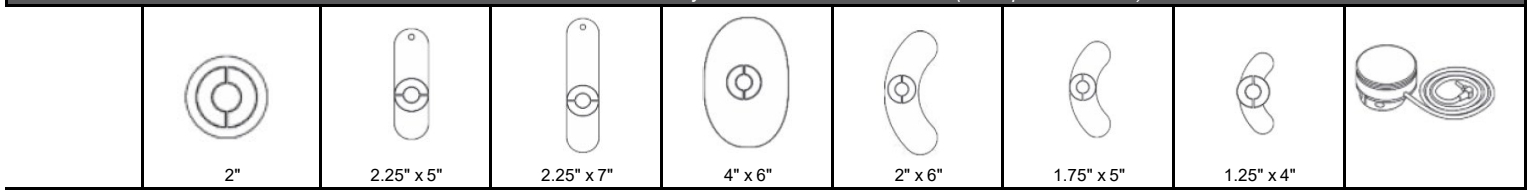
STEP 5
Enter S or C

STEP 6
Enter L or V

STEP 7 (Optional)
Enter -O5, -O6, -O8, or -O10

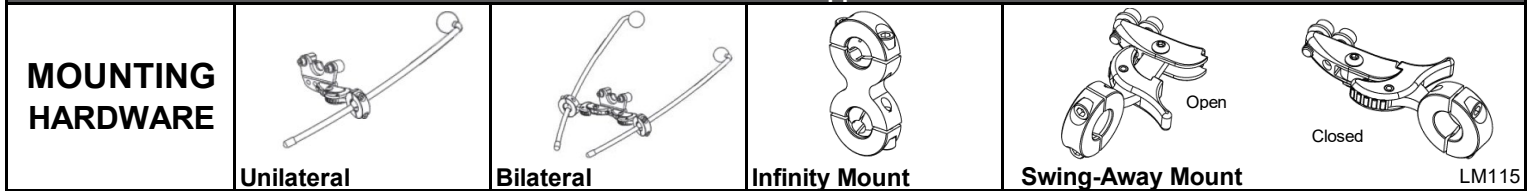
Lateral Facial Supports

Note: Cover Selection - Add L = Lycra or V = Dartex Reversed (Example: LFC-PLL)



		SPOT	STANDARD	LONG	OVAL	LARGE-C	MED-C	SMALL-C	FSO-8	
Unilateral	<input type="checkbox"/>	LFC10-CSL \$367 LM115 \$126	LFC15-CSL \$367 LM115 \$126	LFC20-CSL \$367 LM115 \$126	LFC25-CSL \$367 LM115 \$126	LFC30-CSL \$367 LM115 \$126	LFC35-CSL \$367 LM115 \$126	LFC40-CSL \$367 LM115 \$126	<input type="checkbox"/>	LFC80-CS \$408 LM115 \$126
	<input type="checkbox"/>	LFC10-CSV \$367 LM115 \$126	LFC15-CSV \$367 LM115 \$126	LFC20-CSV \$367 LM115 \$126	LFC25-CSV \$367 LM115 \$126	LFC30-CSV \$367 LM115 \$126	LFC35-CSV \$367 LM115 \$126	LFC40-CSV \$367 LM115 \$126		LFC80-CS2 \$541 LM115 \$126 LM115 \$126
Bilateral	<input type="checkbox"/>	LFC10-CS2L \$672 LM115 \$126 LM115 \$126	LFC15-CS2L \$672 LM115 \$126 LM115 \$126	LFC20-CS2L \$672 LM115 \$126 LM115 \$126	LFC25-CS2L \$672 LM115 \$126 LM115 \$126	LFC30-CS2L \$672 LM115 \$126 LM115 \$126	LFC35-CS2L \$672 LM115 \$126 LM115 \$126	LFC40-CS2L \$672 LM115 \$126 LM115 \$126	<input type="checkbox"/>	LFC80-CS2 \$541 LM115 \$126 LM115 \$126
	<input type="checkbox"/>	LFC10-CS2V \$672 LM115 \$126 LM115 \$126	LFC15-CS2V \$672 LM115 \$126 LM115 \$126	LFC20-CS2V \$672 LM115 \$126 LM115 \$126	LFC25-CS2V \$672 LM115 \$126 LM115 \$126	LFC30-CS2V \$672 LM115 \$126 LM115 \$126	LFC35-CS2V \$672 LM115 \$126 LM115 \$126	LFC40-CS2V \$672 LM115 \$126 LM115 \$126		LFC80-CS2 \$541 LM115 \$126 LM115 \$126
Pad Only*	<input type="checkbox"/>	PL10L \$118	PL15L \$167	PL20L \$167	P600L \$167	PL30L \$167	PL35L \$167	PL40L \$146	<input type="checkbox"/>	N/A
	<input type="checkbox"/>	PL10V \$118	PL15V \$167	PL20V \$167	P600V \$167	PL30V \$167	PL35V \$167	PL40V \$146		

Lateral Facial Supports



LATERAL FACIAL SUPPORT PARTS

*Note: If ordering an additional Lateral Facial Support, select both a Lateral Facial Support Pad Only from page 3 and an Infinity Mount from below as well


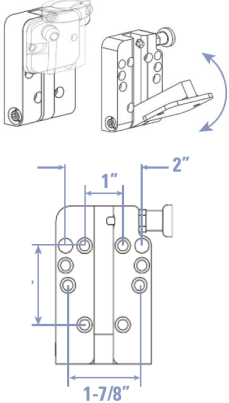
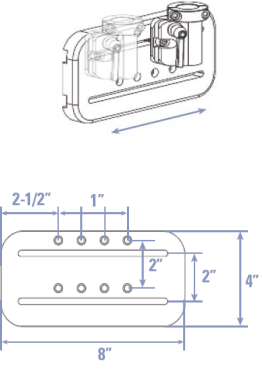
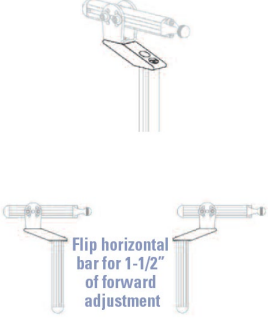
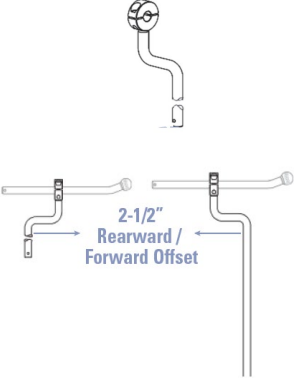
	Option #	Definition	Price
<input type="checkbox"/>	242161	Infinity Dual Mount Assembly*	\$290
<input type="checkbox"/>	LM1010	Lateral Facial Support*	\$200

ANTERIOR HEAD SUPPORT



		DYNAMIC FOREHEAD STRAP	DFS ²	STRAP CAP		STATIC FOREHEAD STRAP		
ADULT	<input type="checkbox"/>	DFS10 \$467	<input type="checkbox"/>	DFSQ10 \$583	<input type="checkbox"/>	CAP10 (black) \$648	<input type="checkbox"/>	HU10 \$435
PEDS	<input type="checkbox"/>	DFS30 \$467	<input type="checkbox"/>	DFSQ30 \$583	<input type="checkbox"/>	CAP30-R (red) \$648		
					<input type="checkbox"/>	CAP30-B (blue) \$648		

MOUNTING OPTIONS





				
<p>FLEX INTERFACE BRACKET</p>	<p>UNIVERSAL SWING-AWAY MOUNT</p>	<p>SLIDE MOUNT</p>	<p>PRO OFF-SET MOUNTING SYSTEM</p>	<p>ONYX REARWARD OFF-SET VERTICAL ROD</p>

<input type="checkbox"/>	M9450 (hard)	\$298	<input type="checkbox"/>	M5000	\$170	<input type="checkbox"/>	M7010	\$152	<input type="checkbox"/>	PRC7070	\$264	<input type="checkbox"/>	OX6030	\$88
<input type="checkbox"/>	M9451 (soft)	\$295												

TOOLS

<input checked="" type="checkbox"/>	Option #	Definition	Price
<input type="checkbox"/>	BOLT LUBE	Bolt Lube	NC
<input type="checkbox"/>	T2500	Tool Kit	\$26.00

Pad Styles

<p>HEADS UP COMMON SIZES</p>	 <p>Large HU-L 5.8" Neck Width 9" Long Arms Standard Foam</p>	 <p>Medium HU-M 4.6" Neck Width 9" Long Arms Standard Foam</p>	 <p>Small HU-S 4" Neck Width 5.6" Short Arms Standard Foam</p>	 <p>Early Intervention HU-I 3.3" Neck Width 5.6" Short Arms Standard Foam</p>
-------------------------------------	--	---	---	---



Sunrise Medical Canada Inc.
237 Romina Drive, Unit 3 • Concord, ON L4K 4V3 • Canada