

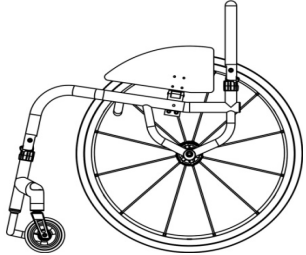


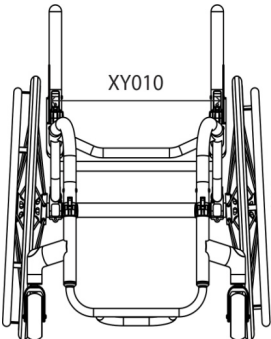


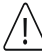
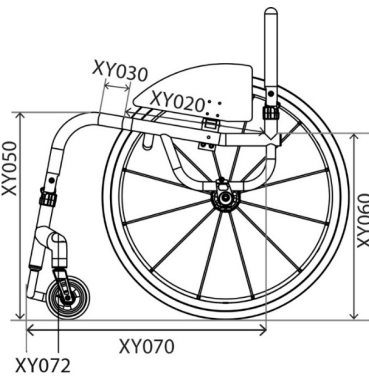




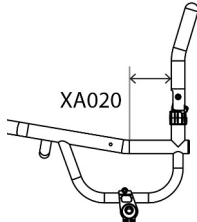


**Customer Contact Details**

|                      |  |
|----------------------|--|
| Customer Name: _____ | Ship to Customer Address: <input type="checkbox"/> |
| Advisor: _____       | Shipping Name: _____                               |
| Address: _____       | Shipping Address: _____                            |
| _____                | _____  |
| _____                | _____  |
| Phone: _____         | Phone: _____                                       |
| Email: _____         | Email: _____                                       |

**Additional Information**

|              |                            |
|--------------|----------------------------|
| Notes: _____ | Current Wheelchair: _____  |
| _____        | Customer Weight: _____     |
| _____        | Customer Height: _____     |
| _____        | Customer Disability: _____ |

| Guide:   |  |
|--|--|
| <input checked="" type="checkbox"/> Base product   | <input type="checkbox"/> Required option <input type="checkbox"/> Optional Extra <input type="checkbox"/> Critical Information <input type="checkbox"/> Information Needed |
| PRODUCT STYLE  |  |
| <input checked="" type="checkbox"/> <b>FXAXZ010</b> <b>TIGA FX</b><br><b>\$7,813.00</b>  |   |
| <input type="checkbox"/> XA070    Open design  |  |
| <b>Max User Weight 110kg (241lbs)</b><br><input type="checkbox"/> Yes, I am within the max user weight                                    |  |
| CAD APPROVAL   |  |
| <input type="checkbox"/> XW012 <b>QUOTE</b> CAD drawing for approval<br>\$550 FLAT FEE (Includes two free revisions)   | <input type="checkbox"/> XW010 <b>ORDER</b> CAD drawing for approval<br>\$300 FLAT FEE (Includes two free revisions)   |
| <input type="checkbox"/> XW009 <b>QUOTE</b> only no CAD<br>\$0   | <input type="checkbox"/> XW011 <b>ORDER</b> only no CAD<br>\$0   |
| KEY MEASUREMENTS   |  |
| <input type="checkbox"/> XY010    Seat width (Inside of sideguards)<br> <input type="text" value="mm"/> (Max - 460mm)<br>(Min - 250mm)    |    |
| <input type="checkbox"/> XY020    Seat length<br> <input type="text" value="mm"/> (Max - 460mm)<br>(Min - 250mm)                         |  |
| <input type="checkbox"/> XY030    Extra seat length (Provides additional leg support & hand grip)<br> <input type="text" value="mm"/>   |  |
| <input type="checkbox"/> XY050    Front frame height<br> <input type="text" value="mm"/> (Max - 550mm)<br>(Min - 480mm)                 |   |
| <input type="checkbox"/> XY060    Rear frame height<br> <input type="text" value="mm"/> (Max - 550mm)<br>(Min - 360mm)                  |  |
| <input type="checkbox"/> XY070    Frame length<br> <input type="text" value="mm"/> (Max 625mm)<br>(Min XY020 + XY030 + 140mm)           |  |
| <input type="checkbox"/> XY072    Caster position<br> <input type="text" value="mm"/><br><input type="checkbox"/> Optimize measurements |  |
| <input type="checkbox"/> XA020    Ergonomic seat<br>\$119.00<br> Specify Length <input type="text" value="mm"/> (Standard = 120mm)      |   |

## FRONT FRAME AND FOOTREST

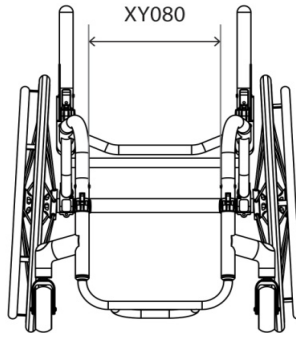
### Front Frame Options

XY080 Seat taper design

Specify width

mm

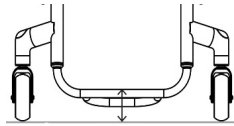
Optimize measurements (XY010 - 100mm)



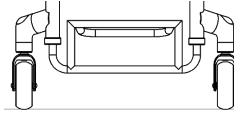
### Footrest Design (Choose One)

XY100 Round design

| Caster Size | Max Height | With XB200 |
|-------------|------------|------------|
| 3"          | 115mm      | 165mm      |
| 4"          | 125mm      | 175mm      |
| 5"          | 135mm      | 185mm      |

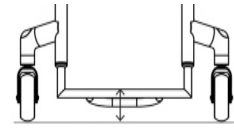


XB200 High level footrest (Only with XB010, XB080 & XB150)  
\$198.00

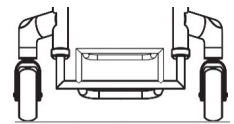


XY105 Square design

| Caster Size | Max Height | With XB200 |
|-------------|------------|------------|
| 3"          | 135mm      | 185mm      |
| 4"          | 145mm      | 195mm      |
| 5"          | 155mm      | 205mm      |



XB200 High level footrest (Only with XB010, XB080 & XB150)  
\$198.00



### Footrest Individual Measurements

XY115 Front footrest height

mm

XY120 Rear footrest height

mm

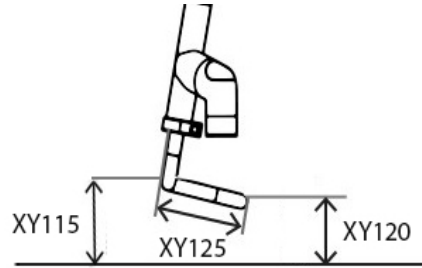
(Std = 20 lower than front height)

XY125 Footrest length

mm

(Std = 100mm)

(160mm and over requires heavy duty upgrade XB150)



### Footrest Style and Cover

FXAXB080 Tubular footrest welded w/ Aluminium plate  
(Supplied with spacer for +20mm adjustment)

FXAXB120 Clamp-on aluminium plate footrest  
(Angle/height adjustable)

FXAXB110 Tubular footrest welded w/ Carbon Fibre plate  
(Supplied with spacer for +20mm adjustment)

### Footrest Options

XB165 Rubber grip tape (3M safety walk)  
\$85.00

| CASTER WHEELS, FORKS & WHEEL LOCKS               |   |  |   |  |   |   |   |  |  |   |  |   |  |
|--|---|--|---|--|---|---|---|--|--|---|--|---|--|
| Caster Wheels                                    |   |  |   |  |   |   |   |  |  |   |  |   |  |
| 75mm (3")  |   |  |   |  |   |   |   |  |  |   |  |   |  |
| <input type="checkbox"/> XC150                   | Aluminium centre 3"x1.4"<br><i>(Silver hub and black urethane tire)</i><br>\$229.00   |  |   |  |   |   |   |  |  |   |  |   |  |
| 100mm (4")                                       |   |  |   |  |   |   |   |  |  |   |  |   |  |
| <input type="checkbox"/> XC060                   | Soft roll 4"x1.3"<br><i>(Black)</i>   |  |   |  |   |   |   |  |  |   |  |   |  |
| <input type="checkbox"/> XC110                   | Aluminium centre 4"x1"<br><i>(Silver hub and black urethane tire)</i><br>\$229.00   |  |   |  |   |   |   |  |  |   |  |   |  |
| <input type="checkbox"/> XC130                   | Aluminium centre 4"x1.4"<br><i>(choose colour below)</i><br>\$229.00  |  |   |  |   |   |   |  |  |   |  |   |  |
| <b>i</b>   | <table style="width: 100%; border: none;"> <tr> <td><input type="checkbox"/> Silver hub &amp; black tire</td> <td><input type="checkbox"/> Black hub &amp; blue tire</td> <td><input type="checkbox"/> Purple hub &amp; black tire</td> <td><input type="checkbox"/> Silver hub &amp; blue tire</td> </tr> <tr> <td><input type="checkbox"/> Black hub &amp; black tire</td> <td><input type="checkbox"/> Red hub &amp; black tire</td> <td><input type="checkbox"/> Gold hub &amp; black tire</td> <td><input type="checkbox"/> Silver hub &amp; red tire</td> </tr> <tr> <td><input type="checkbox"/> Black hub &amp; red tire</td> <td><input type="checkbox"/> Blue hub &amp; black tire</td> <td><input type="checkbox"/> Green hub &amp; black tire</td> <td></td> </tr> </table> | <input type="checkbox"/> Silver hub & black tire | <input type="checkbox"/> Black hub & blue tire  | <input type="checkbox"/> Purple hub & black tire | <input type="checkbox"/> Silver hub & blue tire | <input type="checkbox"/> Black hub & black tire | <input type="checkbox"/> Red hub & black tire | <input type="checkbox"/> Gold hub & black tire | <input type="checkbox"/> Silver hub & red tire | <input type="checkbox"/> Black hub & red tire | <input type="checkbox"/> Blue hub & black tire | <input type="checkbox"/> Green hub & black tire |  |
| <input type="checkbox"/> Silver hub & black tire | <input type="checkbox"/> Black hub & blue tire  | <input type="checkbox"/> Purple hub & black tire | <input type="checkbox"/> Silver hub & blue tire |  |   |   |   |  |  |   |  |   |  |
| <input type="checkbox"/> Black hub & black tire  | <input type="checkbox"/> Red hub & black tire   | <input type="checkbox"/> Gold hub & black tire   | <input type="checkbox"/> Silver hub & red tire  |  |   |   |   |  |  |   |  |   |  |
| <input type="checkbox"/> Black hub & red tire    | <input type="checkbox"/> Blue hub & black tire  | <input type="checkbox"/> Green hub & black tire  |   |  |   |   |   |  |  |   |  |   |  |
| 125mm (5")                                       |   |  |   |  |   |   |   |  |  |   |  |   |  |
| <input type="checkbox"/> XC070                   | Soft roll 5"x1.3"<br><i>(Black)</i>   |  |   |  |   |   |   |  |  |   |  |   |  |
| <input type="checkbox"/> XC100                   | Pneumatic Aluminium centre 5"x1"<br><i>(Grey)</i><br>\$244.00   |  |   |  |   |   |   |  |  |   |  |   |  |
| <input type="checkbox"/> XC120                   | Aluminium centre 5"x1"<br><i>(Silver hub and black urethane tire)</i><br>\$229.00   |  |   |  |   |   |   |  |  |   |  |   |  |
| <input type="checkbox"/> XC140                   | Aluminium centre 5"x1.4"<br><i>(Silver hub and black urethane tire)</i><br>\$229.00   |  |   |  |   |   |   |  |  |   |  |   |  |
| 150mm (6")                                       |   |  |   |  |   |   |   |  |  |   |  |   |  |
| <input type="checkbox"/> XC080                   | Soft roll 6"x1.3"   |  |   |  |   |   |   |  |  |   |  |   |  |
| <input type="checkbox"/> XC145                   | Aluminium centre 6"x1.4"<br><i>(Silver hub and black urethane tire)</i><br>\$305.00   |  |   |  |   |   |   |  |  |   |  |   |  |
| Caster Forks                                     |   |  |   |  |   |   |   |  |  |   |  |   |  |
| <input type="checkbox"/> XC190                   | Low ride caster fork<br><i>(Std when no option selected)</i>  |  |   |  |   |   |   |  |  |   |  |   |  |
| <input type="checkbox"/> XC210                   | Froglegs suspension caster fork<br>\$624.00   |  |   |  |   |   |   |  |  |   |  |   |  |
| <i>Note: Colour follows accent</i>               | <b>i</b> <input type="checkbox"/> Black <input type="checkbox"/> Silver   |  |   |  |   |   |   |  |  |   |  |   |  |
| Caster Pin Width                                 |   |  |   |  |   |   |   |  |  |   |  |   |  |
| <input checked="" type="checkbox"/> XY330        | Caster pin width<br><i>(XY010 plus 70mm)</i>  |  |   |  |   |   |   |  |  |   |  |   |  |
|  |   |  |   |  |   |   |   |  |  |   |  |   |  |
| Wheel Lock Options (Choose one)                  |   |  |   |  |   |   |   |  |  |   |  |   |  |
| <input type="checkbox"/> XD020                   | Underseat Scissor   |  |   |  |   |   |   |  |  |   |  |   |  |
| <input type="checkbox"/> XD030                   | Compact scissor<br>\$262.00   |  |   |  |   |   |   |  |  |   |  |   |  |
| <input type="checkbox"/> XD035                   | Compact scissor with lightweight fixing<br><i>(Only with fixed centre of gravity)</i><br>\$347.00   |  |   |  |   |   |   |  |  |   |  |   |  |
| <input type="checkbox"/> XD045                   | Out Front Compact scissor<br>\$403.00   |  |   |  |   |   |   |  |  |   |  |   |  |
| <input type="checkbox"/> XD050                   | Push to lock  |  |   |  |   |   |   |  |  |   |  |   |  |
| <input type="checkbox"/> XD046                   | Out Front push to lock<br>\$403.00  |  |   |  |   |   |   |  |  |   |  |   |  |
| <input type="checkbox"/> XD010                   | Omit wheel locks  |  |   |  |   |   |   |  |  |   |  |   |  |

## SIDEGUARDS AND ARMRESTS

| Sideguard  |   | Sideguard with Fender  |   |
|--|---|--|---|
| Aluminium Options  |   | Aluminium Options  |   |
| <input type="checkbox"/> XE080   | Lift out aluminium<br>\$524.00  | <input type="checkbox"/> XE090   | Lift out aluminium with fender<br>\$570.00      |
| <input type="checkbox"/> FXAXE130                                      | Fold flat aluminium<br>\$484.00   | <input type="checkbox"/> FXAXE140  | Fold flat aluminium with fender<br>\$539.00     |
| Carbon Fibre Options   |   | Carbon Fibre Options   |   |
| <input type="checkbox"/> XE100   | Lift out carbon fibre<br>\$755.00   | <input type="checkbox"/> XE110   | Lift out carbon fibre with fender<br>\$1,115.00 |
| <input type="checkbox"/> FXAXE150                                      | Fold flat carbon fibre<br>\$737.00  | <input type="checkbox"/> FXAXE160  | Fold flat carbon fibre with fender<br>\$985.00  |
| ABS Plastic Options  |   | Sideguard Measurements   |   |
| <input type="checkbox"/> XE120   | Lift out ABS plastic<br>\$480.00  | Fender height  |   |
| <input type="checkbox"/> FXAXE170                                      | Fold flat ABS plastic<br>\$484.00   | <input type="checkbox"/> 10mm above tire<br><i>(Standard)</i>                      |   |
| Armrest Options  |   | <input type="checkbox"/> Individual above tire<br><i>(Min = 10mm)</i>              |   |
| <input type="checkbox"/> XF010   | Lift out armrest with plastic sideguard<br><i>(Indicate fixed height)</i>   | <input type="checkbox"/> <input type="text" value="mm"/>                           |   |
| <input type="checkbox"/> XF020   | Lift out armrest with aluminium sideguard<br><i>(Indicate fixed height)</i> | Fender position  |   |
| Height (Top of seatrail to top of armrest)                             |   | <input type="checkbox"/> Centre of tire<br><i>(Standard if no option selected)</i> |   |
| <input type="checkbox"/> <input type="text" value="mm"/>               |   | <input type="checkbox"/> Outside of tire   |   |
| Sideguard Measurements   |   |  |   |
| Optimized measurements   |   |  |   |
| <input type="checkbox"/> 25mm above tire<br><i>(Follow tire)</i>       |   |  |   |
| <input type="checkbox"/> Individual above tire<br><i>(Follow tire)</i> |   |  |   |
| <input type="checkbox"/> <input type="text" value="mm"/>               |   |  |   |
| <input type="checkbox"/> Level with tire<br><i>(Follow tire)</i>       |   |  |   |
| Individual measurements  |   |  |   |
| <input type="checkbox"/> Sideguard length                              | <input type="text" value="mm"/>   |  |   |
| <input type="checkbox"/> Sideguard height                              | <input type="text" value="mm"/>   |  |   |

| BACKREST  |   |
|---|---|
| Backrest Height   |   |
| <input type="checkbox"/> XY230 Fixed height backrest<br>(Maximum 400mm)<br><br>Specify height<br><input style="width: 100px;" type="text"/> mm  | <input type="checkbox"/> XY245 Adjustable height backrest<br>\$244.00<br>(Maximum height 400mm)<br>(+/-25mm)<br><br>Specify height<br><input style="width: 100px;" type="text"/> mm                             |
| Backrest Design   |   |
| <input checked="" type="checkbox"/> FXAXG060 Folding backrest with Q Lock<br>(Black)  |   |
| Ergonomic Options   |   |
| <input checked="" type="checkbox"/> XY360 Backrest angle<br><br>-5   -3   0   +3   +5<br><input type="checkbox"/> <input type="checkbox"/> <input type="checkbox"/> <input type="checkbox"/> <input type="checkbox"/><br>Individual <input style="width: 100px;" type="text"/> Deg<br>(Max -7/+7 Deg) | <input type="checkbox"/> XG100 Ergonomic backrest<br>\$144.00<br><br>Vertical height<br><input style="width: 100px;" type="text"/> mm<br><br>Rearward position<br><input style="width: 100px;" type="text"/> mm |
| <input type="checkbox"/> XG110 Inward taper<br>\$144.00<br>(inside of backrest posts)<br><br>Specify width or per side<br><input style="width: 100px;" type="text"/> mm   | <input type="checkbox"/> XG120 Outward flare<br>\$144.00<br>(inside of backrest posts)<br><br>Specify width or per side<br><input style="width: 100px;" type="text"/> mm  |
| Push handle Options   |   |
| <input type="checkbox"/> XG070 Screw in push handles<br>\$222.00<br>(N/A with XY245)  |   |
| <input type="checkbox"/> XG080 Flip down push handles<br>\$434.00<br>(N/A with XY245)   |   |
| <input type="checkbox"/> XG085 Flip down push handles height adjustable<br>\$709.00<br>(N/A with XY245)   |   |
| <input type="checkbox"/> XG097 Integrated push handle<br>\$666.00<br>(Quickie design)   |   |

| <b>CAMBER BAR</b>  |   |
|--|---|
| <p style="text-align: center; background-color: #ccc; margin-bottom: 5px;"><b>Adjustable Centre of Gravity</b></p> <p><input type="checkbox"/> XH110 Square back adjustable centre of gravity<br/>(25-150mm)<br/>(Max seat width 500mm)<br/>Specify measurement <input style="width: 80px;" type="text"/> mm</p> <p><input type="checkbox"/> XH120 Round back adjustable centre of gravity<br/>(60-150mm)<br/>Specify measurement <input style="width: 80px;" type="text"/> mm</p> | <p style="text-align: center; background-color: #ccc; margin-bottom: 5px;"><b>Fixed Centre of Gravity</b></p> <p><input type="checkbox"/> FXAXH090 V-style fixed center of gravity<br/>\$604.00<br/>(25-125mm)<br/>Specify measurement <input style="width: 80px;" type="text"/> mm</p> |
| <b>Specify Camber Angle</b>  | <b>Specify Camber Angle</b>   |
| <p><input checked="" type="checkbox"/> XY390 Camber angle</p> <p><input type="checkbox"/> 0 <input type="checkbox"/> 1 <input type="checkbox"/> 2 <input type="checkbox"/> 3 <input type="checkbox"/> 5</p>  | <p><input checked="" type="checkbox"/> XY390 Camber angle</p> <p><input type="checkbox"/> 0 <input type="checkbox"/> 1 <input type="checkbox"/> 2 <input type="checkbox"/> 3 <input type="checkbox"/> 5 <input style="width: 40px;" type="text"/> Custom</p>                            |
| <b>Camber Bar Options</b>  |   |
| <p><input type="checkbox"/> FXAXK227 Standard Axle pin<br/>(120 or 130mm)</p> <p><input type="checkbox"/> XK240 Quad release axle nuts (pair)<br/>\$237.00 (N/A with FXAXK226)</p>   | <p><input type="checkbox"/> XK220 Titanium 130mm quick release axle pins (pair)<br/>\$158.00 (N/A with XK010, XK070 or FXAXK226)</p>  |
| <b>Anti-Tip Options</b>  |   |
| <p><input type="checkbox"/> XJ010 Swingaway anti tip LEFT side (Only with square back frame. Not with XH040)<br/>\$165.00</p> <p><input type="checkbox"/> XJ020 Swingaway anti tip RIGHT side (Only with square back frame. Not with XH040)<br/>\$165.00</p>   | <p><input type="checkbox"/> XJ100 Single sport anti tip (centre mounted)<br/>\$497.00</p>   |

| REAR WHEELS  |   |
|--|---|
| Rear Wheel Size  |   |
| <input type="checkbox"/> XY420 24" Wheels  | <input type="checkbox"/> XY430 25" Wheels   |
| Rear Wheel Gap   |   |
| <input checked="" type="checkbox"/> XY460 Rear wheel gap<br>15 <input type="checkbox"/> 20 <input type="checkbox"/> 25<br>Individual <input style="width: 100px;" type="text"/> mm   |   |
| Rear Wheel Options   |   |
| <input type="checkbox"/> XK010 Fusion 16 spoke<br><i>(Silver Hub, black spokes)</i><br><input type="checkbox"/> XK050 Spinerger LX 12 spoke<br>\$985.00<br><input type="checkbox"/> XK150 Spinerger CLX 18 carbon blade spoke<br>\$3,093.00 <i>(N/A in silver hub)</i>   | <input type="checkbox"/> XK320 Spinerger XLX 12 spoke, cross/radial spoked<br>\$1,051.00<br><input type="checkbox"/> XK060 Spinerger SPOX 18 spoke<br>\$655.00<br><input type="checkbox"/> XK070 Spinerger BLXL 18 blade spoke<br>\$1,051.00 <i>(N/A in silver hub)</i> |
| <b>Spinerger Colour Options:</b>   |   |
| <input type="checkbox"/> Black spokes <input type="checkbox"/> White spokes <input type="checkbox"/> Yellow spokes<br><input type="checkbox"/> Red spokes <input type="checkbox"/> Blue spokes <input type="checkbox"/> Pink spokes<br><input type="checkbox"/> Purple spokes <input type="checkbox"/> Orange spokes <input type="checkbox"/> Green spokes | <input type="checkbox"/> XK180 Individual spoke design<br>\$210.00<br><br>Inside: _____<br>Outside: _____   |
| <b>Spinerger Anodise Options</b>   |   |
| <input type="checkbox"/> XK190 Black hub<br><i>(std option)</i> <input type="checkbox"/> XK200 Silver hub<br>\$125.00 <i>(n/a with BLXL/CLX)</i>   | <input type="checkbox"/> XK201 Red hub/rims<br>\$403.00 <i>(LX, XLX &amp; BLXL only)</i> <input type="checkbox"/> XK205 Individual hub/rims<br>\$560.00 <i>Select colour:</i> _____   |
| <input type="checkbox"/> XK202 Purple hub/rims<br>\$403.00 <i>(LX, XLX &amp; BLXL only)</i> <input type="checkbox"/> XK203 Blue hub/rims<br>\$403.00 <i>(LX, XLX &amp; BLXL only)</i>  | <input type="checkbox"/> XK204 Gold hub/rims<br>\$531.00 <i>(LX, XLX &amp; BLXL only)</i>   |
| Supply Without Wheels  |   |
| <input type="checkbox"/> XK040 Supply without Wheels   | Wheel Type: <input style="width: 150px;" type="text"/> Tire Type: <input style="width: 150px;" type="text"/>  |
| Handrim Position / Options   |   |
| <input type="checkbox"/> XY480 Narrow set handrim<br><br><input type="checkbox"/> XL090 Remove excess mounting tabs<br>\$144.00 <i>(recommended for small wheel gaps)</i>  | <input type="checkbox"/> XY485 Wide set handrim   |
| Handrim Styles   |   |
| <input type="checkbox"/> XL010 Aluminium hard anodized 6 tab<br><i>(Standard if no option selected)</i><br><input type="checkbox"/> XL020 Tetra grip 6 tab<br>\$394.00<br><input type="checkbox"/> XL100 Para grip 6 tab<br>\$394.00   | <input type="checkbox"/> XL040 Titanium 6 tab<br>\$439.00<br><input type="checkbox"/> XL050 Stainless steel 6 tab<br>\$244.00   |
| Tire Options   |   |
| <input type="checkbox"/> XM010 Kenda<br><input type="checkbox"/> XM130 Kenda black<br>\$27.00<br><input type="checkbox"/> XM020 Schwalbe Marathon Plus<br>\$97.00<br><input type="checkbox"/> XM040 Shox solid airless (Black)<br>\$158.00   | <input type="checkbox"/> Grey <input type="checkbox"/> Blue <input type="checkbox"/> Red<br><br><input type="checkbox"/> XM060 Schwalbe One (24",25" only)<br>\$131.00<br><input type="checkbox"/> XM050 Kenda K885 mountain bike tire (24",25" only)<br>\$39.00        |
| Inner Tube Valve Options   |   |
| <input type="checkbox"/> XY500 Schraeder inner tube valve<br><i>(Standard if no option selected)</i>   | <input type="checkbox"/> XY490 Presta inner tube valve  |
| Wheel Accessories  |   |
| <input type="checkbox"/> XK310 Offroad wheel set 24" rim with handrim, MTB tire and axle pins (Replaces 25" wheel with XM010)<br>\$919.00  | <input type="checkbox"/> XK300 Offroad wheel set 22" rim with handrim, MTB tire and axle pins (Replaces 24" wheel with XM010)<br>\$919.00   |



| FINISH OPTIONS  |  |                                |   |
|---|--|--------------------------------|---|
| Frame & Component Finish                                  |  |                                |   |
| <input type="checkbox"/> XN010                            | Powder coated frame  | <input type="checkbox"/> XN150 | Powder coated components <i>(Frame colour if not specified)</i>                                     |
| <b>Frame Comp. Gloss</b>                                  |  | <b>Frame Comp. Matt</b>        |   |
| <input type="checkbox"/>                                  | <input type="checkbox"/> Black gloss 103   | <input type="checkbox"/>       | <input type="checkbox"/> Black matt 105   |
| <input type="checkbox"/>                                  | <input type="checkbox"/> White gloss 100   | <input type="checkbox"/>       | <input type="checkbox"/> White matt 101   |
| <input type="checkbox"/>                                  | <input type="checkbox"/> Grey gloss 132  | <input type="checkbox"/>       | <input type="checkbox"/> Grey matt 131  |
| <input type="checkbox"/>                                  | <input type="checkbox"/> Cream gloss 135   | <input type="checkbox"/>       | <input type="checkbox"/> Light grey matt 133  |
| <input type="checkbox"/>                                  | <input type="checkbox"/> Red gloss 108   | <input type="checkbox"/>       | <input type="checkbox"/> Navy blue matt 152   |
| <input type="checkbox"/>                                  | <input type="checkbox"/> Yellow gloss 120  |                                |   |
| <input type="checkbox"/>                                  | <input type="checkbox"/> Forest green gloss 143                                    |                                |   |
| <input type="checkbox"/>                                  | <input type="checkbox"/> Green gloss 107   |                                |   |
| <input type="checkbox"/>                                  | <input type="checkbox"/> Dark blue gloss 151                                       |                                |   |
| <input type="checkbox"/>                                  | <input type="checkbox"/> Royal blue gloss 154                                      |                                |   |
| <input type="checkbox"/>                                  | <input type="checkbox"/> Blue gloss 174  |                                |   |
| <input type="checkbox"/>                                  | <input type="checkbox"/> Duckegg blue gloss 141                                    |                                |   |
| <input type="checkbox"/>                                  | <input type="checkbox"/> Pink gloss 188  |                                |   |
| <input type="checkbox"/>                                  | <input type="checkbox"/> Orange gloss 180  |                                |   |
| <input type="checkbox"/>                                  | <input type="checkbox"/> Purple gloss 157  |                                |   |
| <input type="checkbox"/>                                  | FXAXN030 Brushed frame<br>\$557.00 <i>(All parts black unless XN160 chosen)</i>    | <input type="checkbox"/>       | RGK-XN200 Individual paint colour (State Colour/RAL code)<br>\$557.00                               |
| <input type="checkbox"/>                                  | FXAXN050 Polished frame<br>\$1,292.00 <i>(All parts black unless XN170 chosen)</i> | <input type="checkbox"/>       | XN160 Brushed components<br>\$119.00  |
|   |  | <input type="checkbox"/>       | XN170 Polished components<br>\$210.00   |
| Accent Colour   |  |                                |   |
| <b>Note:</b> Accent colour includes, forks & castor caps. |  |                                |   |
| <input type="checkbox"/>                                  | Black accent   | <input type="checkbox"/>       | Silver accent   |
| <input type="checkbox"/>                                  | Red accent   | <input type="checkbox"/>       | Blue accent   |
| <input type="checkbox"/>                                  | Purple accent  | <input type="checkbox"/>       | Carbon accent <i>(Caster caps only, black for rest)</i>   |
|   |  | <input type="checkbox"/>       | RGK-XN250 Individual Accent Colour<br>\$310.00  |
| UPHOLSTERY  |  |                                |   |
| Seat Upholstery   |  |                                |   |
| <input type="checkbox"/>                                  | XP040 Seat sling adjustable tension with straps                                    | <input type="checkbox"/>       | XR050 Carbon fibre seat plate<br>\$473.00   |
| <input type="checkbox"/>                                  | FXAXP045 Sub4 Seat sling strap adjustable  |                                |   |
| Backrest Upholstery                                       |  |                                |   |
| <input type="checkbox"/>                                  | XP050 Airtech backrest strap adjustable  | <input type="checkbox"/>       | XP060 Backrest upgrade to full leather<br>\$493.00 <i>(Black)</i>                                   |
| <input type="checkbox"/>                                  | FXAXP035 Airtech Sub4 backrest strap adjustable                                    | <input type="checkbox"/>       | XP070 Backrest upgrade to leather corners<br>\$119.00 <i>(Black)</i>                                |
| Backrest Stitching Colour                                 |  |                                |   |
| <input type="checkbox"/>                                  | Silver   | <input type="checkbox"/>       | Black   |
| <input type="checkbox"/>                                  | Red  | <input type="checkbox"/>       | Light blue  |
| <input type="checkbox"/>                                  |  | <input type="checkbox"/>       | Blue  |
| <input type="checkbox"/>                                  |  | <input type="checkbox"/>       | Purple  |
| <input type="checkbox"/>                                  |  | <input type="checkbox"/>       | Individual: _____   |
| Backrest RGK Logo Colour                                  |  |                                |   |
| <input type="checkbox"/>                                  | White (Std)  | <input type="checkbox"/>       | Black   |
| <input type="checkbox"/>                                  | Red  | <input type="checkbox"/>       | Light blue  |
| <input type="checkbox"/>                                  |  | <input type="checkbox"/>       | Blue  |
| <input type="checkbox"/>                                  |  | <input type="checkbox"/>       | Purple  |
| <input type="checkbox"/>                                  |  | <input type="checkbox"/>       | Individual: _____   |
| Backrest Accessories                                      |  |                                |   |
| <input type="checkbox"/>                                  | XP110 Backrest with zip pocket<br>\$125.00   | <input type="checkbox"/>       | XP170 Individual backrest embroidery<br>\$236.00 <i>(Please provide .jpeg file and positioning)</i> |

| CUSHION   |   |   |
|---|---|---|
| Cushion foam options  |   |   |
| <input type="checkbox"/> XP080<br>\$119.00  | Cushion foam<br><i>(select density and size below)</i>  |   |
| <input type="checkbox"/> Soft (CMS040)<br><br><input type="checkbox"/> 50mm   | <input type="checkbox"/> Medium (CMS050)<br><br><input type="checkbox"/> 75mm   | <input type="checkbox"/> Hard (9lb recon)<br><br><input type="checkbox"/> 100mm   |
| Cushion cover Upgrades  |   |   |
| <input type="checkbox"/> XP081<br>\$97.00<br><br><input type="checkbox"/> XP090<br>\$250.00   | Nylon cushion cover<br><i>(Black)</i><br><br>Air Lite cushion cover<br><i>(Black)</i><br><br>Leather cushion cover<br><i>(Black)</i>  |   |
| Jay Products  |   |   |
| <input type="checkbox"/> JAY Cushion<br><i>(Price dependant on size / option)</i><br><br><input type="checkbox"/> JAY Backrest<br><i>(Price dependant on size / option)</i><br><br><input type="checkbox"/> JAY Whitmyer Headrest<br><i>(Price dependant on size / option)</i>  | <input type="checkbox"/> Jay Order form attached<br><br><input type="checkbox"/> Jay Order form attached<br><br><input type="checkbox"/> Jay Order form attached  | <div style="border: 1px solid black; height: 100px; width: 100%;"></div> <p style="font-size: small; margin-top: 5px;">Notes:</p>   |
| ACCESSORIES   |   |   |
| <input type="checkbox"/> XR080<br>\$1,037.00<br><br><input type="checkbox"/> XP120<br>\$83.00<br><br><input type="checkbox"/> XP420<br>\$80.00<br><br><input type="checkbox"/> XR010<br>\$58.00<br><br><input type="checkbox"/> XR200<br>\$149.00<br><br><input type="checkbox"/> XR100<br>\$329.00<br><br><input checked="" type="checkbox"/> XR090<br><br><input checked="" type="checkbox"/> XS060 | Frontwheel assembly<br><i>(Only with tubular style footrest)</i><br><br>Frame protectors Neoprene zip fasten<br><i>(Black)</i><br><br>Frame protectors Nylon velcro fasten<br><i>(Black)</i><br><br>Seat pouch velcro attach <i>(Black)</i><br><br>Rucksack with RGK logo (Black)<br><br>FX carry bag<br><br>Tool kit<br><br>Calf strap | <p style="color: red; font-weight: bold; transform: rotate(-45deg); font-size: 1.2em;">NEW!</p> <p style="color: red; font-weight: bold; transform: rotate(-45deg); font-size: 1.2em;">NEW!</p> |

