



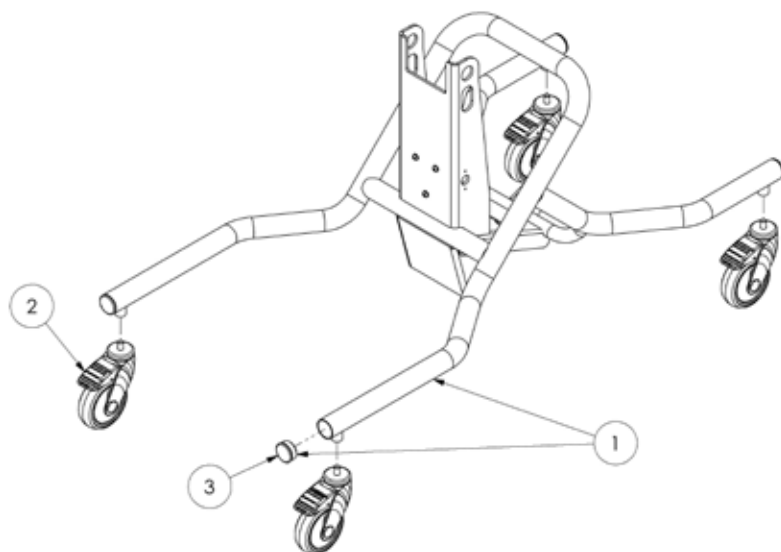
Horizon

Spare Parts Catalogue



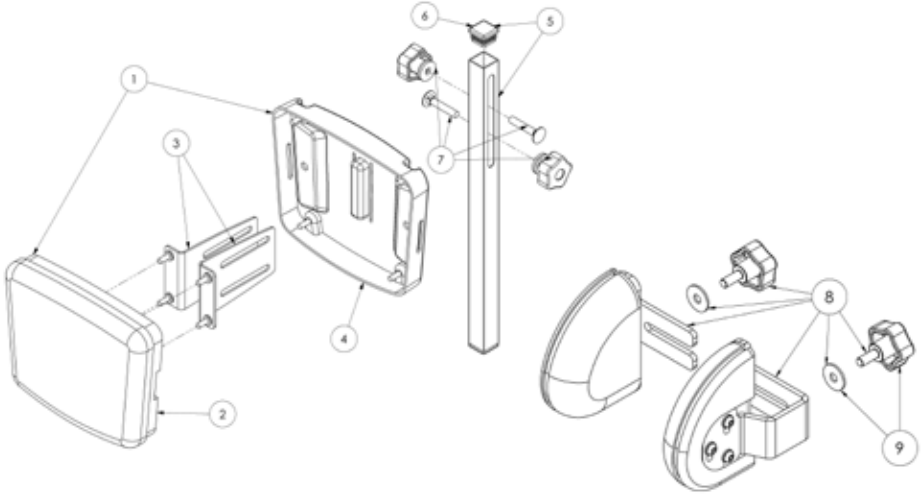
Supporting
Children

Horizon Spare Parts - Main Frame Assembly



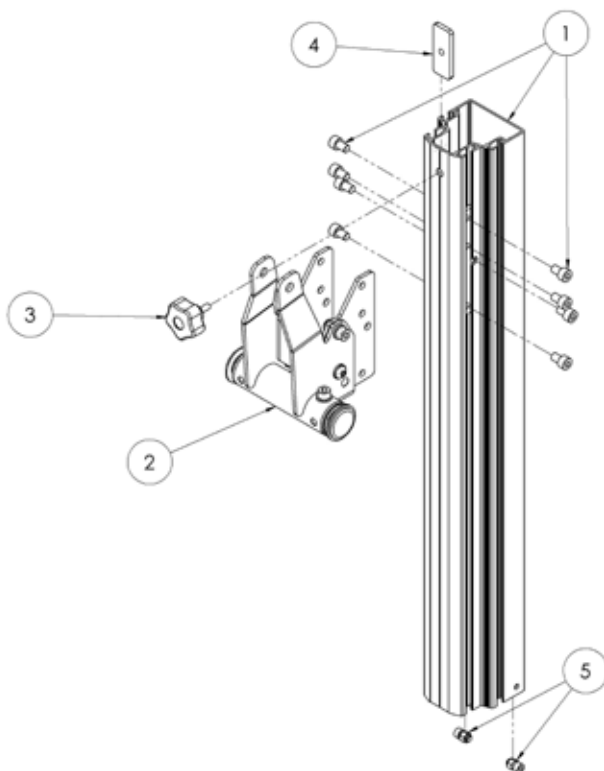
| Pos. | Leckey Sales Code | Description | Min. Order Qty | Compatible with | | |
|------|-------------------|-------------------------------------|----------------|-----------------|--------|--------|
| | | | | Size 1 | Size 2 | Size 3 |
| 0 | 101-1635 | Main Frame - Complete [Size 1] | 1 | ● | | |
| 0 | 101-3635 | Main Frame - Complete [Size 2/3] | 1 | | ● | ● |
| 1 | 101-1956 | Chassis | 1 | ● | | |
| 1 | 101-2956 | Chassis | 1 | | ● | ● |
| 2 | IA13 | Tente Castor (4") [Single] | 1 | ● | | |
| 2 | IA31 | Tente Castor (5") [Single] | 1 | | ● | ● |
| 3 | SF56 | 1-1/2" Ribbed Tube Inserts [4 Pack] | 1 | ● | ● | ● |

Horizon Spare Parts - Head Support Assembly



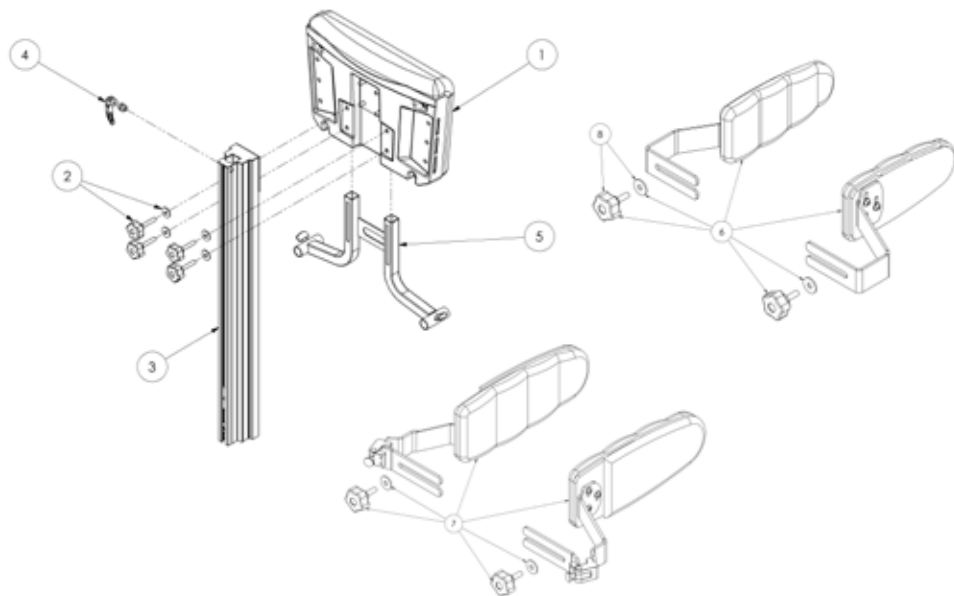
| Pos. | Leckey Sales Code | Description | Compatible with | | |
|--------------------------|-------------------|--|-----------------|--------|--------|
| | | | Size 1 | Size 2 | Size 3 |
| [Replace XX with colour] | | | Size 1 | Size 2 | Size 3 |
| 0 | LHZ/1/169-XX | Head Support Complete (Size 1) | ● | ● | ● |
| 0 | LHZ/2/169-XX | Head Support Complete (Size 2) | ● | ● | ● |
| 0 | LHZ/3/169-XX | Head Support Complete (Size 3) | ● | ● | ● |
| 1 | 101-1957-XX | Supine Head Support Pad (Size 1) | ● | | ● |
| 1 | 101-2957-XX | Supine Head Support Pad (Size 2/3) | | ● | ● |
| 2 | 101-1654-XX | Head Support (Size 1) | ● | | |
| 2 | 101-2654-XX | Head Support (Size 2/3) | | ● | ● |
| 3 | 101-1958 | Head Support Standard Bracket [Pair] | ● | ● | ● |
| 3 | 101-1959 | Head Support Bracket Extension 4" [Pair] | ● | ● | ● |
| 4 | 101-1100 | Head Support Cladding (Size 1) | ● | | |
| 4 | 101-2100 | Head Support Cladding (Size 2/3) | | ● | ● |
| 5 | 101-1960 | Head Support and Tube Insert | ● | ● | ● |
| 6 | SF61 | 1" x 1" Sq Ribbed Insert [Single] | ● | ● | ● |
| 7 | 101-1961 | Head Support Attachment Kit | ● | ● | ● |
| 8 | 101-1912-XX | Head Support Laterals [Pair] | ● | ● | ● |
| 9 | 101-1962 | Head Support Laterals Fittings | ● | ● | |

Horizon Spare Parts - Outer Spine Assembly



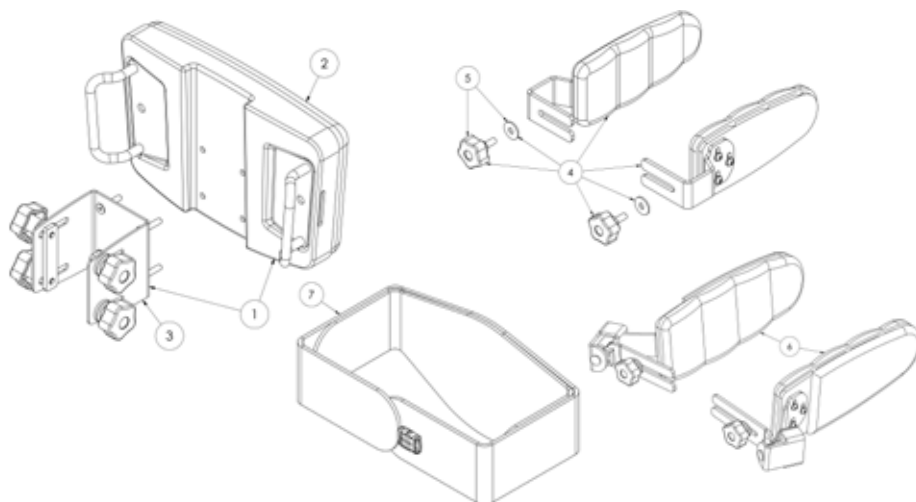
| Pos. | Leckey Sales Code | Description | Compatible with | | |
|------|-------------------|----------------------------|-----------------|--------|--------|
| | | | Size 1 | Size 2 | Size 3 |
| 1 | 101-1676 | Outer Extrusion [Size 1] | ● | | |
| 1 | 101-2676 | Outer Extrusion [Size 2] | | ● | |
| 1 | 101-3676 | Outer Extrusion [Size 3] | | | ● |
| 2 | 101-1630 | Actuator Attachment | ● | ● | ● |
| 3 | 101-1963 | Outer Spine Fittings | ● | ● | ● |
| 4 | 101-2149 | Inner Locking Plate | ● | ● | ● |
| 5 | 101-1978 | Outer Spine Bottom Fixings | ● | ● | ● |

Horizon Spare Parts - Chest Pad Assembly



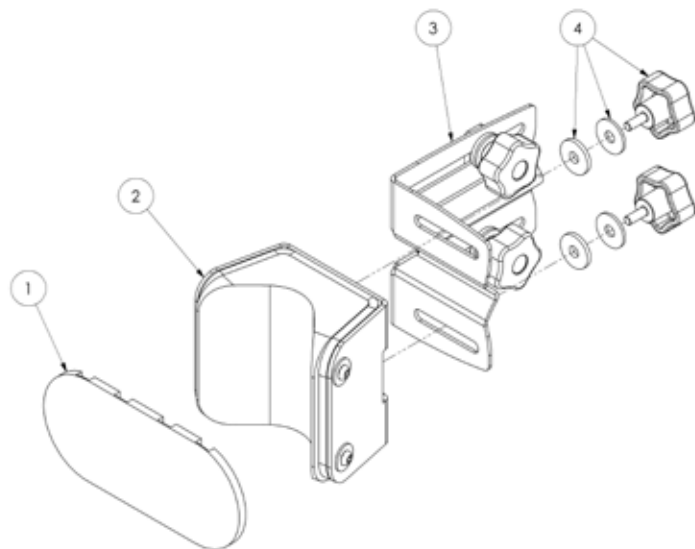
| Pos. | Leckey Sales Code | Description | Compatible with | | |
|--------------------------|-------------------|--|-----------------|--------|--------|
| | | | Size 1 | Size 2 | Size 3 |
| [Replace XX with colour] | | | Size 1 | Size 2 | Size 3 |
| 1 | 101-1964-XX | Chest Pad Complete (Size 1) | ● | | |
| 1 | 101-2964-XX | Chest Pad Complete (Size 2) | | ● | ● |
| 2 | 101-1965 | Chest Pad Fitting | ● | ● | ● |
| 3 | 101-1966 | Inner spine with attachments (Size 1) | ● | | |
| 3 | 101-2966 | Inner spine with attachments (Size 2) | | ● | ● |
| 4 | SF97 | M6 Cam [Single] | ● | ● | ● |
| 5 | 101-1967 | Tray Height Adjustment Bracket (Size 1) | ● | | |
| 5 | 101-2967 | Tray Height Adjustment Bracket (Size 2/3) | | ● | ● |
| 6 | LHZ/1/168-XX | Flexible Chest Laterals (Size 1) [Pair] | ● | ● | ● |
| 6 | LHZ/2/168-XX | Flexible Chest Laterals (Size 2) [Pair] | ● | ● | ● |
| 6 | LHZ/3/168-XX | Flexible Chest Laterals (Size 3) [Pair] | ● | ● | ● |
| 7 | LHZ/3/154-XX | Flipaway Chest Laterals (Size 3 only) [Pair] | | | ● |
| 8 | 101-1968 | Chest Laterals Fixings [Single Side] | ● | ● | ● |

Horizon Spare Parts - Hip Pad Assembly



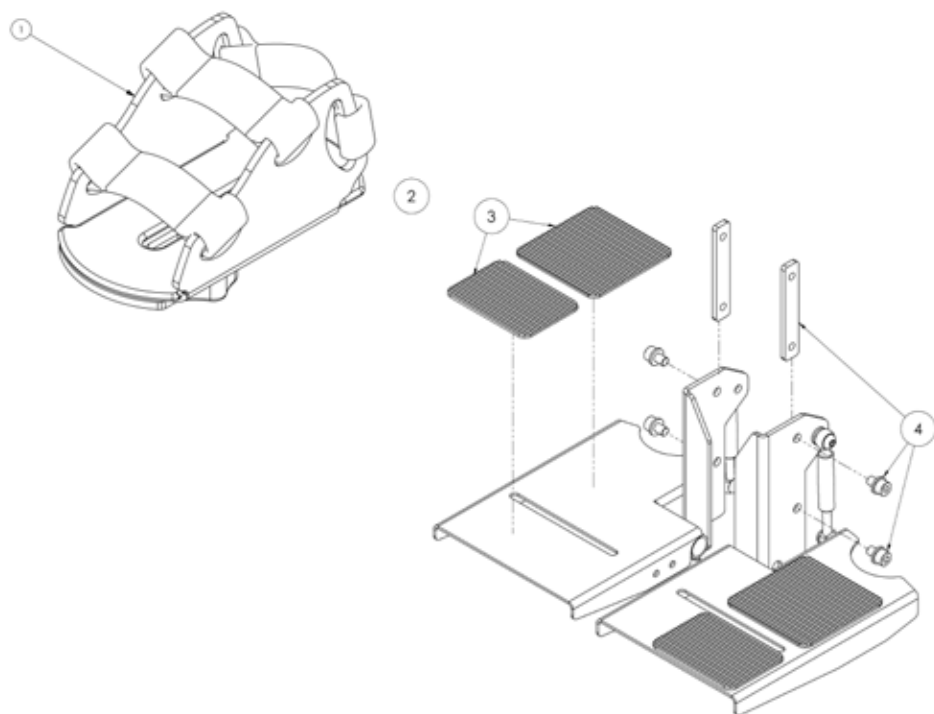
| Pos. | Leckey Sales Code | Description | Compatible with | | |
|--------------------------|-------------------|---|-----------------|--------|--------|
| | | | Size 1 | Size 2 | Size 3 |
| [Replace XX with colour] | | | Size 1 | Size 2 | Size 3 |
| 1 | 101-1662-XX | Hip Pad Complete (Size 1) | ● | ● | ● |
| 1 | 101-2662-XX | Hip Pad Complete (Size 2) | ● | ● | ● |
| 1 | 101-3662-XX | Hip Pad Complete (Size 3) | ● | ● | ● |
| 2 | 101-1969-XX | Hip Pad Front Section only (Size 1) | ● | | |
| 2 | 101-2969-XX | Hip Pad Front Section only (Size 2) | | ● | |
| 2 | 101-3969-XX | Hip Pad Front Section only (Size 3) | | | ● |
| 3 | 101-1970 | Hip Pad Attachment Assembly | ● | ● | ● |
| 4 | LHZ/1/164-XX | Hip Laterals (Size 1) [Pair] | ● | ● | ● |
| 4 | LHZ/2/164-XX | Hip Laterals (Size 2) [Pair] | ● | ● | ● |
| 4 | LHZ/3/164-XX | Hip Laterals (Size 3) [Pair] | | | ● |
| 4 | 101-3927-XX | Hip Laterals (S2 Bracket, S3 Lat) [Pair] | ● | ● | ● |
| 5 | 101-1971 | Hip Lateral Fitting (Size 1/2) | ● | ● | |
| 5 | 101-3971 | Hip Lateral Fitting (Size 3) | | | ● |
| 6 | LHZ/3/153 | Flip Away Hip Laterals (Size 3 Only) [Pair] | | | ● |
| 7 | LHZ/1/181-XX | Supine Stander Pelvic Belt (Size 1) | ● | ● | ● |
| 7 | LHZ/2/181-XX | Supine Pelvic Belt - (Size 2) | ● | ● | ● |
| 7 | LHZ/3/181-XX | Supine Pelvic Belt - (Size 3) | ● | ● | ● |

Horizon Spare Parts - Knee Support Assembly



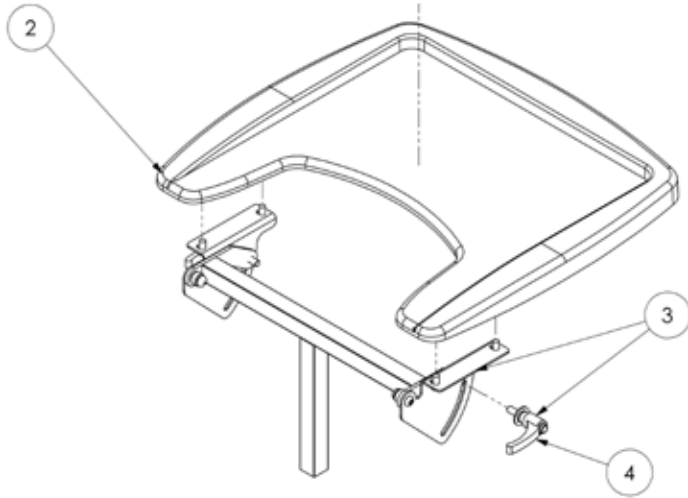
| Pos. | Leckey Sales Code | Description | Compatible with | | |
|--------------------------|-------------------|---|-----------------|--------|--------|
| | | | Size 1 | Size 2 | Size 3 |
| [Replace XX with colour] | | | | | |
| 0 | LHZ/1/167-XX | Knee Support - Standard (Size 1) [Pair] | ● | ● | ● |
| 0 | LHZ/2/167-XX | Knee Support - Standard (Size 2) [Pair] | ● | ● | ● |
| 0 | LHZ/1/183-XX | Knee Support - Medium (Size 1) [Pair] | ● | ● | ● |
| 0 | LHZ/2/183-XX | Knee Support - Medium (Size 2) [Pair] | ● | ● | ● |
| 0 | LHZ/1/184-XX | Knee Support - Long (Size 1) [Pair] | ● | ● | ● |
| 0 | LHZ/2/184-XX | Knee Support - Long (Size 2) [Pair] | ● | ● | ● |
| 1 | 101-1640-XX | Front knee supports (Size 1) | ● | ● | ● |
| 1 | 101-2640-XX | Front knee supports (Size 2/3 & 4) | ● | ● | ● |
| 2 | 101-1972-XX | Knee bracket (Size 1) | ● | ● | ● |
| 2 | 101-2972-XX | Knee bracket (Size 2/3) | ● | ● | ● |
| 2 | 101-4972-XX | Knee bracket (Size 4) | ● | ● | ● |
| 3 | 101-2226 | Knee adjustment bracket (Standard) | ● | ● | ● |
| 3 | 101-2227 | Knee adjustment bracket (Medium) | ● | ● | ● |
| 3 | 101-2228 | Knee adjustment bracket (Long) | ● | ● | ● |
| 4 | 101-1973 | Knee Bracket Fitting [Single] | ● | ● | ● |

Horizon Spare Parts - Footplates and Sandal



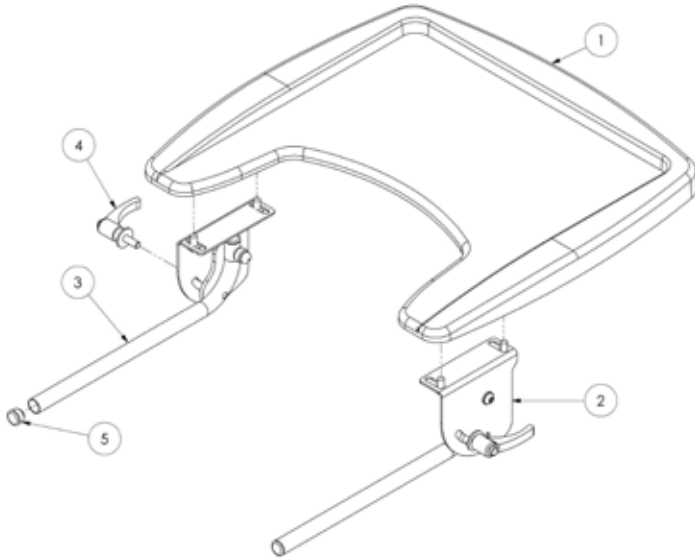
| Pos. | Leckey Sales Code | Description | Compatible with | | |
|------|-------------------|---|-----------------|--------|--------|
| | | | Size 1 | Size 2 | Size 3 |
| 1 | LHZ/1/100 | Sandals with Straps (Size 1) [Pair] | ● | ● | ● |
| 1 | LHZ/2/100 | Sandals with Straps (Size 2) [Pair] | ● | ● | ● |
| 1 | LHZ/3/100 | Sandals with Straps (Size 3) [Pair] | ● | ● | ● |
| 1 | LHZ/4/100 | Sandals with Straps (Size 4) [Pair] | ● | ● | ● |
| 2 | 101-1675 | Standard Footplate Complete (Size 1) [Pair] | ● | ● | ● |
| 2 | 101-2675 | Standard Footplate Complete (Size 2/3) [Pair] | | ● | ● |
| 2 | LHZ/1/161 | Flip up Footplate Complete (Size 1) [Pair] | ● | ● | ● |
| 2 | LHZ/2/161 | Flip up Footplate Complete (Size 2/3) [Pair] | ● | ● | ● |
| 3 | 101-1925 | Footplate Rubber Mat (Size 1/2) [Pair] | ● | ● | ● |
| 4 | 101-1979 | Slider Fixings [Pair] | ● | ● | ● |

Horizon Spare Parts - Prone Tray Assembly



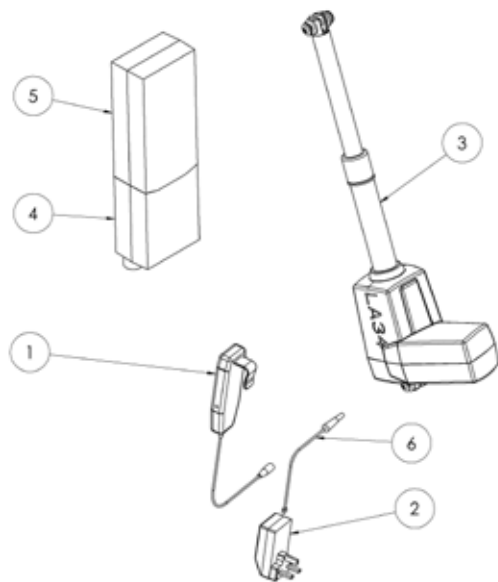
| Pos. | Leckey Sales Code | Description | Compatible with | | |
|------|-------------------|---|-----------------|--------|--------|
| | | | Size 1 | Size 2 | Size 3 |
| 0 | LHZ/1/158 | Prone Tray Full Assembly (Size 1) | ● | | |
| 0 | LHZ/2/158 | Prone Tray Full Assembly (Size 2) | | ● | ● |
| 2 | 102-2744 | Plastic Tray (Size 1) | ● | | |
| 2 | 102-3744 | Plastic Tray (Size 2/3) | | ● | ● |
| 3 | 101-1974 | Prone Tray Attachment Assembly (Size 1) | ● | | |
| 3 | 101-2974 | Prone Tray Attachment Assembly (Size 2/3) | | ● | ● |
| 4 | 101-1980 | Tray Handle [Single] | ● | ● | ● |

Horizon Spare Parts - **Supine Tray Assembly**



| Pos. | Leckey Sales Code | Description | Min. Order Qty | Compatible with | | |
|------|-------------------|--|----------------|-----------------|--------|--------|
| | | | | Size 1 | Size 2 | Size 3 |
| 0 | LHZ/1/143 | Supine Tray Full Assembly - Plastic [Size 1] | 1 | ● | | |
| 0 | LHZ/2/143 | Supine Tray Full Assembly - Plastic [Size 2] | 1 | | ● | ● |
| 0 | LHZ/3/143 | Supine Tray Full Assembly - Wooden [Size 3] | 1 | | ● | ● |
| 1 | 102-2744 | Plastic Tray [Size 1] | 1 | ● | | |
| 1 | 102-3744 | Plastic Tray [Size 2/3] | 1 | | ● | ● |
| 1 | 101-3105 | Wooden Supine Tray [Size 3] | 1 | | | ● |
| 2 | 101-1975 | Supine Tray Attachment Assembly [LHS] [Size 1] | 1 | ● | | |
| 2 | 101-2975 | Supine Tray Attachment Assembly [LHS] [Size 2] | 1 | | ● | ● |
| 3 | 101-1976 | Supine Tray Attachment Assembly [RHS] [Size 1] | 1 | ● | | |
| 3 | 101-2976 | Supine Tray Attachment Assembly [RHS] [Size 2] | 1 | | ● | ● |
| 4 | 101-1980 | Tray Handle [Single] | 1 | ● | ● | ● |
| 5 | SF52 | 3/4" Dia Ribbed Tube Insert [Single] | 2 | ● | ● | ● |

Horizon Spare Parts - Actuator & Batteries



| Pos. | Leckey Sales Code | Description | Min. Order Qty | Compatible with | | |
|------|-------------------|-------------------------------------|----------------|-----------------|--------|--------|
| | | | | Size 1 | Size 2 | Size 3 |
| 1 | SI154 | HD80 Hand Set | 1 | ● | ● | ● |
| 2 | SI118 | LED Charger | 1 | ● | ● | ● |
| 2 | SI119 | Adapter for LED Charger (UK) | 1 | ● | ● | ● |
| 2 | SI120 | Adapter for LED Charger (EU) | 1 | ● | ● | ● |
| 2 | SI121 | Adapter for LED Charger (USA/JAPAN) | 1 | ● | ● | ● |
| 2 | SI122 | Adapter for LED Charger (AUS) | 1 | ● | ● | ● |
| 2 | SI124 | Charging Pack (UK) | 1 | ● | ● | ● |
| 2 | SI125 | Charging Pack (EU) | 1 | ● | ● | ● |
| 2 | SI126 | Charging Pack (USA/JAPAN) | 1 | ● | ● | ● |
| 2 | SI127 | Charging Pack (AUS) | 1 | ● | ● | ● |
| 3 | SI152 | LA34 Actuator | 1 | ● | ● | ● |
| 4 | SI153 | CBJ Care Control Box | 1 | ● | ● | ● |
| 5 | SI155 | Battery | 1 | ● | ● | ● |
| 6 | SI157 | Charging Cable | 1 | ● | ● | ● |



Leckey
19c Ballinderry Road
Lisburn BT28 2SA
Northern Ireland

{+44} 28 9260 0750
hello@leckey.com

LS831-01

leckey.com

