

ORDER FORM



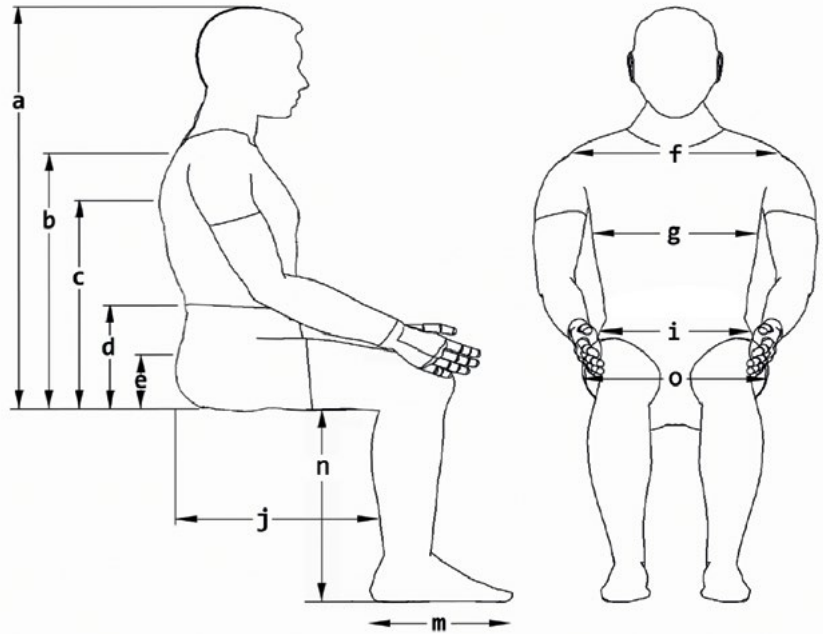
Q300M with SEDEO[®] PRO[™]
and JAY[®] Syncra[™] Seating

EIPW40

Customer		Ship To	
Account #		Name	
Date		Address	
PO#		City	
Buyer		Province	Postal Code
Mark For		Phone	

Client Measurements

a) Top of head to seat	in
b) Top of shoulder to seat	in
c) Underarm to seat	in
d) Elbow to seat	in
e) Top of leg to seat	in
f) Shoulder width	in
g) Chest width	in
i) Hip width	in
j) Actual sitting depth	in
m) Foot length	in
n) Knee to foot	in
o) Seat width	in




Notes



Chair Specifications

HCPC	K0848 / K0856 / K0861
Weights starting at: (with Batteries)	NPC: 287 lbs SPC: 312 lbs MPC: 322 lbs
Power Seating	50° of CG Tilt and Power Recline with 4" mechanical sheer reduction / 12" seat elevator
Seat Type	SEDEO® PRO™ / JAY® Syncra™
Seat Size Range	Width 16" to 22" Depth 14" to 22"
Seat-to-Floor Height Range	16.5" to 19"

Mid-Wheel Drive Base Specifications

Drive Wheel Position	Mid-wheel drive
User Weight Capacity	300 lbs.
Base Size	Width 20.5", Length 33"
Minimum Turning Radius	17" (excludes footplates)
Drive Control	R-net PM 90A / VR-2 90A
Driving Range	Up to 17 miles
Drive Motors	4-pole 6 mph / 10 kph
Drive Wheels	12" w/flat-free inserts (black) 14" w/flat-free inserts (black)
Casters	7" front / 7" rear (black)
Charger	8A Dual Mode (Compact)
Battery Size	50Ah Group 22
Color	9 shroud colors and 7 color accents
Ground Clearance	3"

BASE			
OPTION		DESCRIPTION	RETAIL
Group 3 Standard Duty Mid Wheel Drive Base <i>End Item Number EIPW40 (PRO™ Seat)</i>			\$
400PC291		Quickie Q300 M NPC No Power Option for SEDEO® PRO™ Seat Included in Base Pricing : Q300 M Base, VR-2 90amp Electronics for No Power Seat Functions, Six-Wheel Suspension, 12" Drive Wheels with Dual Density Inserts, 7" Flat Free Casters, ISO Occupied Tie-Down Brackets and 8amp Charger. Max Speed = 6mph, Weight Capacity = 300lbs., STFH = 16.5".	\$7,953.00
400PC292		Quickie Q300 M SPC Single Power Option for SEDEO® PRO™ Seat Included in Base Pricing : Q300 M Base, VR-2 90amp Electronics for No Power Seat Functions, Six-Wheel Suspension, 12" Drive Wheels with Dual Density Inserts, 7" Flat Free Casters, ISO Occupied Tie-Down Brackets and 8amp Charger. Max Speed = 6mph, Weight Capacity = 300lbs., STFH = 16.5".	\$7,953.00
400PC293		Quickie Q300 M MPC Tilt/Recline for SEDEO® PRO™ Seat Included in Base Pricing: Q300 M Base, VR-2 90amp Electronics for No Power Seat Functions, Six-Wheel Suspension, 12" Drive Wheels with Dual Density Inserts, 7" Flat Free Casters, ISO Occupied Tie-Down Brackets and 8amp Charger. Max Speed = 6mph, Weight Capacity = 300lbs., STFH = 16.5".	\$7,953.00
User Weight			\$
400WG23		Up to 300 lbs.	NC
Motor Package			\$
400PF99		4-pole 10 kph / 6 mph	NC
Tracking			\$
400MI01		SureTrac Module & Motor Encoders <i>(Improve Drive Tracking)</i>	\$1,671.00
Drive Wheels  P. 24			\$
400DW13		Drive Wheel, 12", Solid, Knobby, Black	NC
400DW58		Drive Wheel, 14", Solid, Knobby, Black	NC
Caster Wheels  P. 24			\$
400CW59		Caster Wheels 7", Solid, Black	NC
Shroud Color			\$
400C164		Black	NC
400C165		Candy Apple Red	NC
400C166		Candy Blue	NC
400C167		Candy Purple	NC
400C176		Green Apple	NC
400C178		Pearl Pink	NC

400C182		Silver	NC
400C125		White	NC
BASE			
OPTION		DESCRIPTION	RETAIL
Color Accents			\$
<i>Note: Color Accents and Shroud Colors may not match.</i>			
400EZ20		Apple Green	NC
400EZ22		Black	NC
400EZ21		Blue	NC
400EZ23		Orange	NC
400EZ24		Red	NC
400EZ19		White	NC
400EZ25		Silver	NC
ISO Transit Tie Downs			\$
400T050		ISO Transit Package	NC
LED Lights  P. 24			\$
400LI04		LED Lights and Indicators	\$1,373.00
400LI11		LED Lights and Indicators (Available with 4 Power Seat Functions)	NC
400LI08		LED Fender Lights	\$636.00
400LI09		LED Fender Lights <i>(Available w/Multi-Power only)</i>	NC
400LI02		Omit LED Lights	NC
Seat Heights			\$
Seat Height <i>Measured from front of seat pan to floor with 0° frame angle. Not all seat heights are available with all seat depths and power seating. Please see online configurator for full availability.</i>			
400HT103		16.5"	NC
400HT55		17"	NC
400HT104		17.5"	NC
400HT56		18"	NC
400HT105		18.5"	NC
400HT57		19"	NC
Batteries and Chargers  P. 24			\$
Group 22 Battery			
400AG35		GP22 / 50Ah Flat Top Pair	\$668.00
Omit Batteries			
400AG24		Battery Harnesses Only <i>(Omit Batteries)</i>	NC

Chargers

400BJ30	10A Dual Mode (Compact)	\$160.00
400BJ19	8A Dual Mode (Compact)	NC

POWERED SEATING

OPTION	DESCRIPTION	RETAIL
--------	-------------	--------

Power Seating Options  P. 24

\$

Seat Elevator

400PI07	Seat Elevator, Powered, 300 mm / 12"	\$3,426.00
400PI08	C-Me® Seat Elevator, Powered, 300 mm / 12" (C-Me speed up to 3 mph) (N/A with VR-2)	\$3,426.00

Seat Tilt

400PA48	Posterior 50° Tilt	\$6,400.00
---------	--------------------	------------

Seat Recline

400PA37	150° Powered Recline w/ 4" Shear Reduction	\$7,883.00
---------	--	------------

Seat Tilt/Recline

400PA41	Posterior 50° Tilt and 150° Recline Powered, w/ 4" Shear Reduction	\$13,079.00
---------	--	-------------

Power Recline Backrest Preset Home Angle

400QK1	90°	NC
400QK2	95° (Default Position)	NC

Pre Set Seat Frame Angle (No Power Seating Options, Increases Seat to Floor Height)

\$

400FA10	0° (Adds 0" to STFH)	NC
400FA3	3° (Adds 1" to STFH)	NC

Backrest Frame Type

\$

400BF16	Tool Angle Adjustable Back, 90°-120°	NC
400BF14	User Adjustable Manual Semi-Recline Back, 90°-130°, Right (Adjustment Lever Mounted on Opposite Side of Joystick)	\$624.00
400BF15	User Adjustable Manual Semi-Recline Back, 90°-130°, Left (Adjustment Lever Mounted on Opposite Side of Joystick)	\$624.00

Backrest Frame Option

\$

400BF13	Flip Down, Quick Release	\$176.00
---------	--------------------------	----------

Back Cushion Type

\$

400BT134	SEDEO® Back Cushion (Choose Seating in Section A)	NC
400BT138	JAY® Syncra™ (Choose Seating in Section B)	NC

400BT135	JAY® J3® (Choose Seating in Section C)	NC
400BT137	SEDEO® PRO™ Aftermarket Back Adapter (Height Adjustable Round Tubes for Traditional Mounting)	\$624.00
400BT133	OMIT (For personalized Mounting. No Headrest Mount)	NC

POWERED SEATING

OPTION	DESCRIPTION	RETAIL
--------	-------------	--------

A - SEDEO® Backrest Dimensions \$

Back Width

400BN28	400mm / 16"				NC
400BN29	460mm / 18"		Tool Angle Adjust.	150° Recline	NC
400BN30	500mm / 20"		22"-23"	23"-25"	Installed Back Height
400BN31	560mm / 22"		24"-27"	26"-29"	

Back Shell Height

400B255	460mm / 18"		28"-30"	30"	NC
400B256	560mm / 22"				NC
400B257	660mm / 26"				NC

Installed Back Height - (From Pan to Top of Back)

400JR32	22"	NC
400JR33	23"	NC
400JR34	24"	NC
400JR35	25"	NC
400JR36	26"	NC
400JR37	27"	NC

400JR38		28"	NC
400JR39		29"	NC
400JR40		30"	NC

POWERED SEATING

OPTION		DESCRIPTION	RETAIL
--------	--	-------------	--------

B - JAY® Syncra™ Seating**B - JAY® Syncra™ Back**  P. 23

\$

400JP14		JAY® Syncra™ Back 16-20" Wide with 3" Contour Depth	\$1,319.00
400JP15		JAY® Syncra™ Back 22" Wide with 3" Contour Depth	\$1,319.00

B - JAY® Syncra™ Back Width

\$

Back can be ordered a different width than seat pan. Armrest will be adjusted to back width ordered.

400JQ07		16" Wide (Adjustment range 16 to 17" Wide)*	NC
400JQ08		18" Wide (Adjustment range 18 to 19" Wide)*	NC
400JQ09		20" Wide (Adjustment range 20 to 21" Wide)*	NC
400JQ10		22" Wide (Adjustment range 22 to 23" Wide)	NC

*Additional +1" of shell width adjustment is achievable. Requires purchase of 1" larger foam and upholstery separately.

B - JAY® Syncra™ Back Shell Options and Height Ranges

\$

JAY® Syncra™ Back shells are mounted with a minimim 5.5" gap between the bottom of the shell to the seat pan to accommodate the mechanical shear. Back height can be adjusted in the field with-in the ranges shown based on the back frame type.

JAY® Syncra™ Shell Height

400JR42		16" Tall Shell (22" to 24" Back Height)	NC
400JR43		18" Tall Shell (24" to 26" Back Height)	NC
400JR44		20" Tall Shell (26" to 28" Back Height)	NC
400JR45		22" Tall Shell (28" to 30" Back Height)	NC

JAY® Syncra™ Back Installed Back Height (From Pan to Top of Back)

400JR50		22" (16" Shell Height)	NC
400JR51		23" (16" Shell Height)	NC
400JR52		24" (16" Shell Height)	NC
400JR53		24" (18" Shell Height)	NC
400JR54		25" (18" Shell Height)	NC
400JR55		26" (18" Shell Height)	NC
400JR56		26" (20" Shell Height)	NC
400JR57		27" (20" Shell Height)	NC
400JR58		28" (20" Shell Height)	NC
400JR67		28" (22" Shell Height)	NC
400JR68		29" (22" Shell Height)	NC
400JR69		30" (22" Shell Height)	NC

B - JAY® Syncra™ Back Upholstery \$

400BU96		Syncra™ Premium Leatherette	NC
400BU97		Syncra™ Stretch	NC

POWERED SEATING

OPTION	DESCRIPTION	RETAIL
--------	-------------	--------

C - JAY® J3® Back**C - JAY® J3® Back - Contour**  P. 24 \$

400JP01		J3® PA Back for 16"-20" Wide	\$899.00
400JP02		J3® PA Back for 22" Wide	\$1,912.00
400JP11		J3® PL Back for 16"-20" Wide	\$971.00
400JP13		J3® PD Back for 16"-20" Wide (18" and 21" Shell Height Only)	\$1,052.00

C - JAY® J3® Back Width \$

Back can be ordered a different width than seat pan. Armrest will be adjusted to back width ordered.

400JQ02		16"	NC
400JQ03		18"	NC
400JQ04		20"	NC
400JQ05		22"	NC

C - JAY® J3® Back Shell Options and Height Ranges \$

JAY® J3® shells are mounted with a minimim 4" gap between the bottom of the shell to the seat. Back height can be adjusted in the field within the ranges shown.

JAY® J3® Shell Height

			Tool Angle Adjust.	150° Recline	Installed Back Height	
			22"-23"	22"-23"		shear.
			21"-23"	22"-24"		
			22"-24"	23"-25"	Installed Back Height	
400JR41		15" tall shell (Upper Thoracic Med) for 22" Wide	24"-26"	24"-26"		NC
400JR14		16.5" tall shell (Upper Thoracic Short)	24"	24"		NC
400JR15		18" tall shell (Upper Thoracic Med)	24"-26"	25"-28"		NC
400JR16		19.5" tall shell (Upper Thoracic Tall)	26"-28"	27"-30"		NC
400JR18		18" tall shell (Shoulder Height) for 22" wide	27"-29"	28"-30"		NC
400JR17		21" tall shell (Shoulder Height)				NC
400JR27		22.5" tall shell (Shoulder Height)				NC
400JR28		24" tall shell (Shoulder Height)			NC	

JAY® J3® Installed Back Height (From Pan to Top of Back)

400JR29		21"	NC
400JR19		22"	NC
400JR20		23"	NC
400JR21		24"	NC
400JR22		25"	NC
400JR23		26"	NC
400JR24		27"	NC

400JR25		28"	NC
400JR30		29"	NC
400JR31		30"	NC

POWERED SEATING

OPTION		DESCRIPTION	RETAIL
--------	--	-------------	--------

C - JAY® Anterior Thoracic Support P. 24 \$

Classic-Structure Pull Down Harness (4 point strap, Only available with JAY® backrest)

400K10		Medium (ATS8302)	\$320.00
400K11		Large (ATS8303)	\$320.00

C - JAY® Lateral Thoracic Swing-Away Supports (Requires Pad, Upholstery and Mount) \$

JAY® Lateral Thoracic Support Pads

400JW35		Lateral Thoracic (L x H) 100 mm x 127 mm / 4" x 5" Pad - Right	\$72.00
400JW38		Lateral Thoracic (L x H) 100 mm x 127 mm / 4" x 5" Pad - Left	\$72.00
400JW36		Lateral Thoracic (L x H) 100 mm x 152 mm / 4" x 6" Pad - Right	\$72.00
400JW39		Lateral Thoracic (L x H) 100 mm x 52 mm / 4" x 6" Pad - Left	\$72.00
400JW37		Lateral Thoracic (L x H) 152 mm x 100 mm / 6" x 4" Pad - Right	\$72.00
400JW40		Lateral Thoracic (L x H) 152 mm x 100 mm / 6" x 4" Pad - Left	\$72.00

JAY® Lateral Thoracic Support Pad Upholstery

400NU01		Syncra™ Premium Leatherette	NC
400NU02		Syncra™ Stretch	NC

JAY® Lateral Thoracic Swing-Away Mount

400JW41		Lateral Thoracic Swing Away Bracket - Right	\$320.00
400JW42		Lateral Thoracic Swing Away Bracket - Left	\$320.00

C - JAY® Syncra™ Fixed Lateral Support Accessory

\$

JAY® Fixed Lateral Support Accessory Hardware (JAY® Fixed Lateral Support is height adjustable)

400JW33	Fixed Lateral Support Accessory (L x H) 90 mm x 140 mm / 3.5" x 8" - Right	\$187.00
400JW34	Fixed Lateral Support Accessory (L x H) 90 mm x 140 mm / 3.5" x 8" - Left	\$187.00

POWERED SEATING

OPTION	DESCRIPTION	RETAIL
--------	-------------	--------

Headrests (Requires Pad, Upholstery, & Mount)  P. 26

\$

Headrest Pad

400HE36	SEDEO® Pad Small with Cover (LxH) 240 x 150 mm / 10" x 6" <i>Can only be used with Multi Position Headrest Mount with quick-release and SEDEO® upholstery</i>	\$224.00
400HE38	Whitmyer® Plush Headrest Pad 203 mm / 8"	\$371.00
400HE39	Whitmyer® Plush Headrest Pad 254 mm / 10"	\$371.00
400HE44	Whitmyer® Plush Headrest Pad 356 mm / 14"	\$371.00
400HE46	Whitmyer® Adjust-A-Plush Headrest Pad Medium (Adjustable 7" to 16" Wide x 4" Tall)	\$438.00
400HE48	OMIT Headrest Pad	NC

Headrest Pad Upholstery

400NU10	SEDEO® Upholstery	NC
400NU04	Syncra™ Premium Leatherette	NC
400NU05	Syncra™ Stretch	NC
400NU11	Whitmyer® Lycra	NC

Headrest Mount

400MH32	SEDEO® Multi-Position Headrest Mount with Quick Release (Only available with SEDEO® Pad)	\$549.00
400MH33	Whitmyer® Linx Headrest Mount with Quick Release	\$243.00
400MH34	Whitmyer® Linx-2 Headrest Mount with Quick Release	\$294.00
400MH35	Whitmyer® AXYS Headrest Mount with Quick Release	\$243.00
400MH17	OMIT Headrest Mount	NC

Push Handles

\$

400PH27	Height Adjustable Push Handles	\$60.00
---------	--------------------------------	---------

Seat Frame Rails

\$

400SN14	Seat Rail Short, for Effective Seat Depth 14" - 18"	\$794.00
400SN15	Seat Rail Long, for Effective Seat Depth 17" - 22"	\$794.00

Seat Cushion Type

\$

400ST79		SEDEO® (See Section D)	NC
400ST81		JAY® Syncra™ (See Section E)	NC
400ST80		JAY® (See Section F)	NC
400ST75		Omit	NC

POWERED SEATING

OPTION		DESCRIPTION	RETAIL
--------	--	-------------	--------

Seat Size

\$

Seat Pan Width (*Odd sizes not available on SEDEO® cushions*)

400R53		16"	NC
400R54		17"	NC
400R55		18"	NC
400R56		19"	NC
400R57		20"	NC
400R58		21" (<i>Not available with JAY® Syncra™ Cushions</i>)	NC
400R59		22"	NC

Seat Pan Depth (*Front of seat pan to front of back cushion – effective depth*)

400RF52		14"	NC
400RF53		15"	NC
400RF51		16"	NC
400RF45		17"	NC
400RF46		18"	NC

400RF47		19"	NC
400RF48		20"	NC
400RF49		21" <i>(Not available with JAY® Syncra™ Cushions)</i>	NC
400RF50		22"	NC

POWERED SEATING

OPTION		DESCRIPTION	RETAIL
--------	--	-------------	--------

D - SEDEO® Cushions P. 24 \$

400CU82		SEDEO® Cushion <i>(Sizes 16", 18", & 20" Wide) (Not available with 14" depth)</i>	\$421.00
400CU83		SEDEO® Cushion <i>(Sizes 22" Wide)</i>	\$529.00

E - JAY® Syncra™ Cushion P. 23 (JAY Your Way modifications available through Customer Service (800) 333-4000) \$

400CU89		JAY® Syncra™ Cushion featuring JAY Flow® Fluid with Cryo™ Technology <i>(16" to 20" wide)</i>	\$1,002.00
400CU90		JAY® Syncra™ Cushion featuring JAY Flow® Fluid with Cryo™ Technology <i>(22" wide)</i>	\$1,108.00

JAY® Syncra™ Cushion Cover Upholstery

400YR73		Syncra™ Premium Leatherette	NC
400YR74		Syncra™ Stretch	NC

F - JAY® Seat Cushion P. 25 \$

400CU59		JAY® Ion® <i>(Sizes 16" to 21" Wide)</i>	\$498.00
400CU60		JAY® Ion® <i>(Size 22" Wide)</i>	\$688.00
400CU61		JAY® Union® <i>(Sizes 16" to 21" Wide)</i>	\$753.00
400CU62		JAY® Union® <i>(Size 22" Wide)</i>	\$794.00
400CU64		JAY® Fusion® <i>(Sizes 16" to 21" Wide)</i>	\$1,030.00
400CU65		JAY® Fusion® <i>(Size 22" Wide)</i>	\$1,155.00

F - JAY® Solid Seat \$

400CU84		JAY® Solid Seat	\$343.00
---------	--	-----------------	----------

POSITIONING SUPPORTS & ACCESSORIES

OPTION	DESCRIPTION	RETAIL
--------	-------------	--------

Knee and Thigh Swing-Away Support Pads

\$

Lateral Knee Support Pads and Hardware *(must pick pad and mount)*

400XY05	Lateral Knee Support Pad, Right (4" round)	\$243.00
400XY06	Lateral Knee Support Pad, Left (4" round)	\$243.00
400XX08	Lateral Swing-Away Bracket Knee - Right	\$320.00
400XX09	Lateral Swing-Away Bracket Knee - Left	\$320.00

Lateral Thigh Support Pads and Hardware *(must pick pad and mount)*

400KF22	Lateral Thigh Support Pad Short, Right (5" H x 5" L)	\$144.00
400KF23	Lateral Thigh Support Pad Short, Left (5" H x 5" L)	\$144.00
400KF24	Lateral Thigh Support Pad Long, Right (5" H x 7" L)	\$144.00
400KF25	Lateral Thigh Support Pad Long, Left (5" H x 7" L)	\$144.00
400KF26	Lateral Thigh Removable Mount - Right	\$320.00
400KF27	Lateral Thigh Removable Mount - Left	\$320.00

JAY® Lateral Thigh Supports *(Must pick pad, upholstery, and mount)*

\$

JAY® Lateral Thigh Support Pads

400KF16	Lateral Thigh Support Pad Standard, Right (8.25" x 3.25")	\$144.00
400KF17	Lateral Thigh Support Pad Standard, Left (8.25" x 3.25")	\$144.00
400KF18	Lateral Thigh Support Pad Large, Right (12" x 3.25")	\$144.00
400KF19	Lateral Thigh Support Pad Large, Left (12" x 3.25")	\$144.00

JAY® Lateral Thigh Support Pad Upholstery

400NU07	Syncra™ Premium Leatherette	NC
400NU08	Syncra™ Stretch	NC

JAY® Lateral Thigh Removable Mount

400KF20	Lateral Thigh Removable Mount - Right	\$320.00
400KF21	Lateral Thigh Removable Mount - Left	\$320.00

Armrest Structure P. 25

\$

400EG35	Reclining, Flip Back, Long <i>(Height Adjustable 9" to 15")</i>	NC
400EG41	Reclining, Flip Back, Short <i>(Best used with shorter seat depths) (Height Adjustable 9" to 15")</i>	NC
400EG36	Reclining, Flip Back with 2-point post locking arm. <i>(Height Adjustable 11" to 15" x 0.625")</i>	\$346.00
400EG32	Single Post, Flip Back <i>(N/A with thigh support) (Height Adjustable 10" to 15")</i>	NC

POSITIONING SUPPORTS & ACCESSORIES

OPTION	DESCRIPTION	RETAIL
Arm Pads  P. 25 \$		
SEDEO® Armrest Pad		
400AB43	300 mm / 12", Integral Foam, Right	NC
400AE43	300 mm / 12", Integral Foam, Left	NC
400AB44	400 mm / 16", Integral Foam, Right	NC
400AE44	400 mm / 16", Integral Foam, Left	NC
Comfort Arm Pad (Foam)		
400AB46	2" Wide Right	\$111.00
400AE46	2" Wide Left	\$111.00
Comfort Arm Pad (Gel)		
400AB48	2" Wide Right	\$210.00
400AE48	2" Wide Left	\$210.00
Ottobock® Arm Troughs		
400AE06	Ottobock Arm Trough, Med, Left	\$137.00
400AB06	Ottobock Arm Trough, Med, Right	\$137.00
400AE07	Ottobock Arm Trough, Large, Left	\$137.00
400AB07	Ottobock Arm Trough, Large, Right	\$137.00
400L01	Ottobock Hand Pad, Med, Left	\$69.00
400R01	Ottobock Hand Pad, Med, Right	\$69.00
400L02	Ottobock Hand Pad, Large, Left	\$69.00
400R02	Ottobock Hand Pad, Large, Right	\$69.00
400AE78	Ottobock 1 Piece Arm Trough, Left	\$195.00
400AB78	Ottobock 1 Piece Arm Trough, Right	\$195.00
Side Guards (Pair) \$		
400SG44	Side Guards Integral Foam (11"L x 5.5"H) (N/A with Reclining Armrests)	\$351.00
Fixed Centermount Legrest \$		
400H136	Angle Adjustable Centermount Legrest	\$624.00
400H184	Fixed Centermount Legrest, Short (Includes Calf Pads) (11.5" to 14.5" Leg Length)	NC
400H185	Fixed Centermount Legrest, Long (Includes Calf Pads) (13.5" to 18.5" Leg Length)	NC
Power Centermount Legrest  P. 25 \$		
400H109	Power Centermount Legrest, 90° - 0° Angle, 7.5" Extension (Powered Articulation) (3" to 17.5" Leg Length)	\$3,384.00

POSITIONING SUPPORTS & ACCESSORIES

OPTION	DESCRIPTION	RETAIL
Centermount Legrest Accessories \$		
Power Centermount Footplates		
400F127	Dual, Height, Width and Angle Adjustable, Standard (14"W x 10"D)	\$280.00
400F128	Dual, Height, Width and Angle Adjustable, Large (16"W x 12"D)	\$280.00
Footplate Accessories (Available with Power Centermounts)		
400DI68	Extra Large Centermount Footplate	\$310.00
400DI69	Footplate Connector Link (Available with Sedeo Fixed Centermount)	\$95.00
400DI57	Gel Footpads	\$395.00
Angle Adjustable / Fixed Centermount Footplates		
400F45	Single/Dual Footplate	NC
Power Centermount Calf Pads		
400DI34	Calf Pads, Pair, Standard Integral Foam	NC
400DI35	Calf Pads, Pair, Padded (N/A w/ std. footplate)	\$351.00
Angle Adjustable Centermount Calf Pads		
400DI49	Calf Pads, Pair, Standard Integral Foam	NC
400DI50	Extra Large Single Calf Pad	\$351.00
SEDEO® PRO™ Swing-Away Legrest (Pair) (Footplates, calf supports & options must be selected separately.) \$		
400H177	Legrests, Swing-Away, 70°, SEDEO® PRO™ (14" to 21" Leg Length)	NC
400H178	Legrests, Manual Elevating, Swing-Away, SEDEO® PRO™ (Includes Padded Calf Pads) (14.5" to 21.5" Leg Length)	\$374.00
400H179	Legrests, Power Elevating, Swing-Away, SEDEO® PRO™ (Includes Padded Calf Pads) (15.5" to 22.5" Leg Length)	\$3,384.00
400HI76	Omit Legrests	NC
Swing-Away Legrest Footplates		
400F369	Angle Adjustable Flip-Up Footplates	\$280.00
Swing-Away Legrest Calf Supports		
400DI42	Calf Support, Depth Adjustable, Padded (6.5" to 8" Wide, depending on chair width, x 9.5" Tall)	\$504.00
Swing-Away Legrest Options		
400DI44	Heel Loops	NC
400KG4	Knee Pads, Integral Foam (2.5" Wide x 4.5" Tall)	\$278.00
SEDEO® Lower Extremity Swing-Away Support		
400VD01	Lower Extremity Support, Padded, Swing-Away, SEDEO®, Right	\$504.00
400VD02	Lower Extremity Support, Padded, Swing-Away, SEDEO®, Left	\$504.00
Pelvic Positioning Belts  P. 26		
400A837	Positioning Belt, Auto Style Buckle, 50 mm 1600 mm / 2"	NC
400A839	Positioning Belt, Aircraft Buckle, 50 mm x 1300 mm / 2"	NC
400A840	Positioning Belt, Aircraft Buckle, Padded 50 mm x 1300 mm / 2"	\$101.00
400A845	Bodypoint – Evoflex Pelvic Stabilizer Belt	\$213.00
400A846	Bodypoint – Evoflex Pelvic Stabilizer Belt with Extension	\$267.00

POSITIONING SUPPORTS & ACCESSORIES

OPTION	DESCRIPTION	RETAIL
Accessories		\$
Ventilator Option		
400VT12	Vent Tray Fixed <i>(Pulmonetic LTV Models)</i>	\$600.00
O2 Tank Option		
400A718	O2 Tank Holder Mounted to Backrest <i>(D and E Styles)</i>	\$385.00
Wheelchair Tray Table		
4007A09	Tray, Swing-Away	\$375.00
Medial Thigh Support		
4008A80	Medial Thigh Support	\$240.00
4008A81	Pommel Swing-Away Hardware	\$353.00
Backpack		
400A1	Black Utility	\$110.00
Misc. Accessories		
4008A59	Transfer Bar <i>(Pair)</i>	\$486.00
4008A52	Ram Mount Phone	\$76.00
4008A53	Ram Mount Tablet	\$303.00
4008A54	Ram Mount Cup Holder	\$76.00
4008A58	Rear View Mirror	\$76.00
400A611	Crutch Holder	\$113.00
4008A73	Bag for Armrest	\$113.00
4008A75	Reflectors <i>(Backrest shroud mounted)</i>	\$113.00
4009A10	Utility Hooks	\$57.00

JOYSTICK / ELECTRONICS

VR-2 Joystick			\$
400J127		VR-2 Joystick	NC
R-net Joystick (Remote)  P. 26			\$
400J121		Standard LED Joystick (w/o Screen Display)	NC
400J116		Color Joystick (2.3" Color LCD Screen Display, CJSM1)	NC
400J118		High Resolution Color Joystick, (CJSM2+BT) 3.5" Color LCD Display, Paddle Switches, Programmable Shortcut Keys, ICONs, Stereo Jack, IR and dual (IOS/Android) Bluetooth control	\$1,145.00
400J119		Omit Remote Control (Required with arm mounted specialty controls)	NC
Joystick Mounting			\$
400JM34		Fixed on Armrest	NC
400JM35		Parallel Swing-Away	\$440.00
400JM36		Link-It Mid Line Mount on Armrest (Swing-Away)	\$440.00
400JM49		Attendant (Available with LED or CJSM1 only, Mounted to Push Handles)	NC
Joystick Mount (Location)			\$
400HM16		Right Hand Armrest	NC
400HM17		Left Hand Armrest	NC
Display Language Selection R-net			\$
400L1		English	NC
400L3		French	NC
400L7		Spanish	NC
Joystick Handle (Optional)  P. 26			\$
400JH13		Ball Handle	\$108.00
400JH15		T-Handle	\$108.00
400JH24		Bodypoint – Rubber Dome Joystick Handle	\$213.00
400JH25		Bodypoint – U-Shaped Joystick Handle	\$213.00
400JH26		Bodypoint – Grooved Mushroom Joystick Handle	\$213.00
Electronic Programmers  P. 27			\$
400PR13		R-net PC Wireless Programmer	\$650.00
R-net Power Modules  P. 27			\$
400ER12		Power Module, VR-2 90A, Non-Expandable	NC
400ER22		Power Module, R-net, 90A, Non-Expandable (Only Available with Single Power)	NC
400ER13		Power Module, R-net, 90A, Expandable (Required for Specialty Controls or 3+ Actuators)	\$100.00
400EX11		Expandable 90A Controller - R-net	NC
400EX12		Harness for 90A Expandable Controller	NC

JOYSTICK / ELECTRONICS

OPTION	DESCRIPTION	RETAIL
--------	-------------	--------

Seating Control  P. 27

\$

Powered Seating Control

400E040	Omit Thru-Drive <i>(Requires Switch Control)</i>	NC
400E037	Thru-drive Control for 1 Actuator	\$1,422.00
400E038	Thru-drive Control for 2+ Actuators	\$2,860.00

Switch Control *(Available with Omit Thru-Drive only) (1 Actuator for Tilt or Elevate only)*

400E033	Dual Toggle for 1 Actuator	NC
400E034	2.5" Single Button Switch for 1 Actuator <i>(Button switches are not mounted)</i>	NC
400E041	Ctrl+5 Switch Box for 2 Actuators or more	NC

Additional Power Seating Control *(Available with Thru-Drive only)*

400QG11	Ctrl+5 Switch Box with Free Assignable Functions	\$1,062.00
400QG12	Ctrl+5 Switch Box with Free Assignable Functions <i>(Multi-power only)</i>	NC

Dual Toggle Mounting Location

400TN1	Toggle Mount, Right	NC
400TN2	Toggle Mount, Left	NC

Ctrl+5 Mounting location

400EY19	Right Armrest	NC
400EY20	Left Armrest	NC
400EY21	Back Cane, Right	NC
400EY24	Back Cane, Left	NC

Ctrl+5 Switch Type

400EY22	Push Buttons	NC
400EY23	Toggle Switches	\$351.00

Attendant Controls  P. 27

\$

4000A05	Dual Control Module for Attendant	\$1,207.00
4000A06	R-net Color LCD (CJSM1), Control Attendant Only	\$1,207.00

Attendant Mounting Location

\$

400DN5	Right Back Cane	NC
400DN6	Left Back Cane	NC

JOYSTICK / ELECTRONICS

OPTION	DESCRIPTION	RETAIL
--------	-------------	--------

R-net Programming

\$

Assignable Buttons

Assignable Button feature allows for personalization of joystick buttons and/or Ctrl+5 Switches allowing access to various wheelchair and seating functions. When enabled, chair will be pre-programmed with seating functions assigned to buttons on the joystick. Assignments can be changed via PC Dongle.

400PM12	Include Assignable Buttons	NC
---------	----------------------------	----

Power Centermount Footplate Extension Option

400IE03	Include 7.5" Powered Footplate Extension for Transfer Assist <i>(Electronics programmed to allow footplates to be extended with or without legrest being raised.) Only Available with Powered Articulation</i>	\$583.00
---------	--	----------

R-net Omni2 Options  P. 27 *For Expandable Controls, choose all that apply.*

\$

400N14	R-net Omni2 Only Input Control Module and 3.5" LCD Display w/ Built-In Infrared and Bluetooth® Choose Mount Below	\$2,349.00
400N15	R-net Omni2 Bundled Input Control Module and 3.5" LCD Display w/ Built-In Infrared and Bluetooth® Bundled Omni2 Available w/ Switch-It Input Devices	NC

Omni2 Mount *If used w/ Standard Joystick, it must be mounted opposite side.*

\$

400DS14	Link-It with Parallel Swing-Away Omni2 Mount w/Rear Mounted Interface, Right	\$688.00
400DS15	Link-It with Parallel Swing-Away Omni2 Mount w/Rear Mounted Interface, Left	\$688.00

SPECIALTY INPUT DEVICES

OPTION	DESCRIPTION	RETAIL
--------	-------------	--------

Hand Control Packages  P. 28 *Requires Standard Joystick Omit / Only one hand control device can be ordered.*

\$

Proportional Input Devices

400EU14	Switch-It MicroGuide	\$4,574.00
400EU17	Switch-It VersaGuide	\$2,519.00
400EU18	Switch-It VersaGuide EZ	\$2,978.00

Mounting Position (Required)

400EM04	Link-It to the Backrest <i>(Not Available w/ Omit Back Cushion Type)</i>	\$1,318.00
400EM05	Link-It to the Fixed Joystick Mount	\$410.00
400EM06	Link-It to the Parallel Swing-Away Joystick Mount	\$410.00
400EM07	Link-It to the Midline Swing-Away	\$1,485.00
400EM08	Omit Mount	NC

Mounting Platforms (Optional) *Not available w/ Link-It to Backrest*

400MG16	SunDisk Hand Tray <i>(Only available w/ MicroSeries Joysticks)</i>	\$410.00
400MG15	Bullet Hand Tray	\$410.00

Mounting Location (Required)

400IM09	Right	NC
400IM10	Left	NC

Switch Options

–	See Switch Selections <i>(Maximum 2)</i>	–
---	--	---

Head Control Packages  P. 27 *(Select headrest mount on next page)*

\$

Only one head control device can be ordered.

Proportional Input Devices

400EU25	Switch-It DualPro® Proportional Head Array - Facial Pads	\$6,953.00
400EU26	Switch-It DualPro® Proportional Head Array - Spot Pads	\$6,953.00
400EU51	Switch-It Vigo Head Drive	\$6,200.00


Switched Input Devices

400EU28	Switch-It 3-Switch Head Array - Short Curved Wings	\$6,063.00
400EU30	Switch-It 3-Switch Head Array - Long Curved Wings	\$6,063.00

Switch Options

–	See Switch Selections <i>(Maximum 2)</i>	–
---	--	---

SPECIALTY INPUT DEVICES

OPTION	DESCRIPTION	RETAIL
Sip 'N Puff \$		
400ID73	Switch-It Sip 'N Puff Combo Head Array with Link-It Hardware <i>(Requires headrest mount)</i>	\$6,933.00
400ID74	Switch-It OptiStop with Sip 'N Puff	\$2,700.00
Headrest Mounts <i>(Applies to Head/Sip 'N Puff control packages)</i> \$		
400IJ13	Whitmyer® Linx Headrest Mount with Quick Release	\$243.00
400IJ14	Whitmyer® Linx-2 Headrest Mount with Quick Release	\$294.00
400IJ15	Whitmyer® AXYS Headrest Mount with Quick Release	\$243.00
Chin Control Packages  P. 28 \$		
Proportional Input Devices		
400EU34	Switch-It MicroGuide <i>(Switches mounted to the headrest only.)</i>	\$4,574.00
400EU36	Switch-It VersaGuide	\$2,519.00
400EU37	Switch-It VersaGuide EZ	\$2,978.00
Mounting Position		
400EM09	Link-It To Chin Harness, Small (150mm / 6")	\$1,734.00
400EM10	Link-It To Chin Harness, Large (220mm / 8")	\$1,734.00
400EM11	Link-It To Headrest, Swing-Away	\$1,734.00
400EM53	Link-It To Manual Chin Boom - Right Side	\$5,267.00
400EM54	Link-It To Manual Chin Boom - Left Side	\$5,267.00
400EM16	Omit Mount	NC
Input Device Mounting Location		
400IM13	Right	NC
400IM14	Left	NC
Switch Options		
–	See Switch Selections <i>(Minimum 1 for the Power Chin Boom, Maximum 3)</i>	–
Safety Devices \$		
400SA06	Switch-It Remote Stop Switch - XLR Connector	\$1,298.00
Switched Driving Packages \$		
400SW44	Switch-It™ Cool Cube with DB9 connector for proximity/proportional switch driving. <i>(Pro Spot proportional switches are required if proportional driving is desired.) (For non-proportional driving, single switches can be used.)</i>	\$3,736.00

SPECIALTY INPUT DEVICES

Switches  P. 29

Single switches can be programmed to activate any function of the wheelchair including: On/Off, Mode, Profile, Speeds, Seating, Memory Positions, Horn, Lights & Indicators, IR functions, Bluetooth mouse clicks, Environmental Controls when plugged into assignable port.

Switches can connect via: Joysticks (Standard, Micro series, Versa series) Omni2, SJX6 Hub, head controls

Switch ordering instructions:

1. Select switch type and quantity in Section "A" using columns below. (Max 6 switches. See limitations below.)
2. Select switch mounting position from Section "B" using corresponding switch column.
3. Select switch mounting location from Section "C" using corresponding switch column.

Section A – Switch Selections**Switch / Quantity**

Single Function Switches - Mechanical Switches	Switch 1	Switch 2	Switch 3	Switch 4	Switch 5	Switch 6	\$
2.5" Single Switch - Black							\$108.00
2.5" Single Switch - Blue							\$108.00
2.5" Single Switch - Green							\$108.00
2.5" Single Switch - Red							\$108.00
2.5" Single Switch - Yellow							\$108.00
Egg Switch - Black							\$108.00
Egg Switch - Blue							\$108.00
Egg Switch - Green							\$108.00
Egg Switch - Red							\$108.00
Egg Switch - Yellow							\$108.00
MicroLite <i>(Includes color labels)</i>							\$113.00
Mini Button 1 - Blue <i>(Velcro)</i>							\$303.00
Mini Button 1 - Green <i>(Velcro)</i>							\$303.00
Mini Button 1 - Red <i>(Velcro)</i>							\$303.00
1" Single Switch - Black							\$382.00
1" Single Switch - Blue							\$382.00
1" Single Switch - Green							\$382.00
1" Single Switch - Orange							\$382.00
1" Single Switch - Red							\$382.00
1" Single Switch - Yellow							\$382.00
Electronic Switches							
Flex Switch (Headrest mount only)							\$534.00
ProSpot - Proportional Switches							
ProSpot Proportional Switch - Red							\$534.00
ProSpot Proportional Switch - Green							\$534.00
ProSpot Proportional Switch - Blue							\$534.00
ProSpot Proportional Switch - Yellow							\$534.00
ProSpot Proportional Switch - Orange							\$534.00
Section B – Switch Mounting Position							
Link-It to the Backrest <i>(Up to 1 per side)</i>							\$1,388.00
Link-It to the Headrest - Gooseneck & Rigid <i>(Up to 2 per side)</i>							\$1,734.00
Link-It to the Fixed Joystick Mount <i>(Up to 2 per side)</i>							\$410.00
Link-It to the Parallel Swing-Away Joystick Mount <i>(Up to 2 per side)</i>							\$410.00
Link-It to the Seat Rail <i>(Up to 2 per side)</i> <i>(Not avail w/knee & thigh supports)</i>							\$548.00
Omit Mount <i>(includes Velcro)</i>							NC
Section C – Switch Mounting Location							
Right side of chair							NC
Left side of chair							NC
Joystick Integrated Switches (Pair)							
400J003 – Proximity Switches on Flex Mount, Pair <i>(Used with VersaGuide/VersaGuide EZ)</i>							\$1,382.00

JAY® SYNCRA™ SEATING MEASURING GUIDE

JAY® SYNCRA™ BACK



Backrest Width	16"	18"	20"	22"
Max User Trunk Width	13.5"	15.5"	17.5"	19.5"

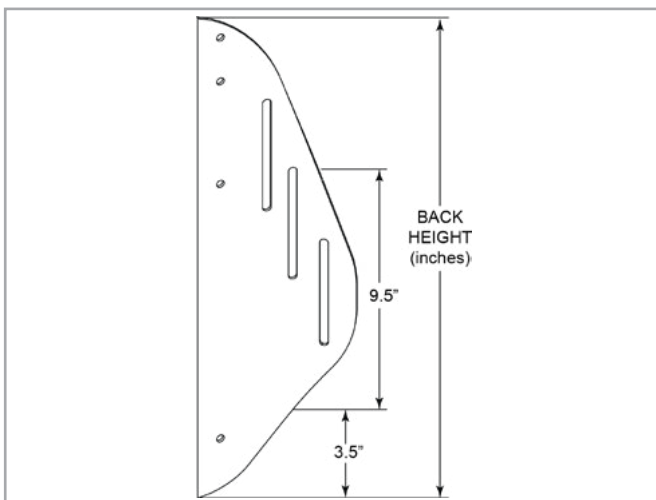
JAY® Swing-Away Lateral Thoracic Adjustment Range

Syncra Back Width	Width Range	Height range from bottom of shell to seat pan
16"	10" to 24"	12" to 19.5"
18"	12" to 26"	12.5" to 21.5"
20"	14" to 28"	12.5" to 22"
22"	16" to 30"	13.5" to 23"

Syncra™ Fixed Lateral Support Accessory Range

Syncra Back Width	Width Range	Height range from bottom of shell to seat pan	Contour Depth Range
16"	16.4" to 16.8"	6" to 8"	3" to 5"
18"	18.4" to 18.8"	6" to 8"	3" to 5"
20"	20.4" to 20.8"	6" to 8"	3" to 5"
22"	22.4" to 22.8"	6" to 8"	3" to 5"

Syncra™ Back Shell Height Diagram



JAY® SYNCRA™ CUSHION



JAY® Lateral Thigh Support Adjustment Range

Syncra Cushion Width	Width Range
16"	8.5" to 16.0"
17"	9.5" to 17.0"
18"	10.5" to 18.0"
19"	11.5" to 19.0"
20"	12.5" to 20.0"
22"	14.5" to 22.0"



Q300 M with SEDEO® PRO™

\$

Base Price

Total of additional equipment

Packaging and transport

Total Price

Date

Signature

Month

Day

Year



Customer Service: (800) 263-3390
Fax: (800) 561-5834
E-mail: cscanada@sunmed.com
www.sunrisemedical.ca
Specifications are subject to change without notice.

© 2024 Sunrise Medical Canada Inc.
237 Romina Drive, Unit 3
Concord, ON
L4K 4V3

MK-129808 CAN Rev. 12