

ORDER FORM



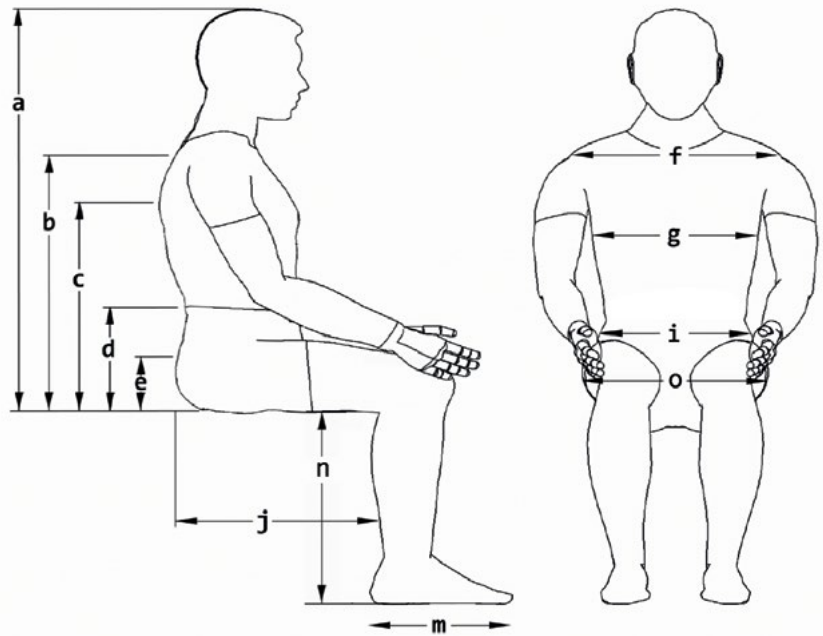
Q500M with SEDEO[®] PRO[™]
and JAY[®] Syncra[™] Seating

EIPW30

| Customer | | Ship To | |
|-----------|--|----------|-------------|
| Account # | | Name | |
| Date | | Address | |
| PO# | | City | |
| Buyer | | Province | Postal Code |
| Mark For | | Phone | |

Client Measurements

| | |
|----------------------------|----|
| a) Top of head to seat | in |
| b) Top of shoulder to seat | in |
| c) Underarm to seat | in |
| d) Elbow to seat | in |
| e) Top of leg to seat | in |
| f) Shoulder width | in |
| g) Chest width | in |
| i) Hip width | in |
| j) Actual sitting depth | in |
| m) Foot length | in |
| n) Knee to foot | in |
| o) Seat width | in |



Notes

Chair Specifications

| | |
|--|---|
| HCPC | K0848 / K0856 / K0861 |
| Weights starting at: (with Batteries) | NPC: 300 lbs SPC: 324 lbs MPC: 338 lbs |
| Power Seating | 50° of CG Tilt and Power Recline with 4" mechanical sheer reduction / 12" seat elevator |
| Seat Type | SEDEO® PRO™ / JAY® Syncra™ |
| Seat Size Range | Width 16" to 22" Depth 14" to 22" |
| Seat-to-Floor Height Range | 16.5" to 19" |

Mid-Wheel Drive Base Specifications

| | |
|------------------------|-------------------------------------|
| Drive Wheel Position | Mid-wheel drive |
| User Weight Capacity | 300 lbs. |
| Base Size | Width 24", Length 33" |
| Minimum Turning Radius | 18.5" (excludes footplates) |
| Drive Control | R-net PM 90A / VR-2 90A |
| Driving Range | Up to 13.5 miles |
| Drive Motors | 4-pole 6 mph / 10 kph |
| Drive Wheels | 13" w/flat-free inserts (black) |
| Casters | 7" front / 7" rear (black) |
| Charger | 8A Dual Mode (Compact) |
| Battery Size | Group 34 / Group 22 |
| Color | 8 shroud colors and 6 color accents |
| Ground Clearance | 3" |

| BASE | | | |
|--|--|---|------------|
| OPTION | | DESCRIPTION | RETAIL |
| Group 3 Standard Duty Mid Wheel Drive Base <i>End Item Number EIPW30 (PRO™ Seat)</i> | | | \$ |
| 300PC215 | | Quickie Q500 M NPC No Power Option for SEDEO® PRO™ Seat Included in Base Pricing : Q500 M Base, VR-2 90amp Electronics for No Power Seat Functions, Six-Wheel Suspension, 13" Drive Wheels with Dual Density Inserts, 7" Flat Free Casters, ISO Occupied Tie-Down Brackets and 8amp Charger. Max Speed = 6mph, Weight Capacity = 300lbs., STFH = 16.5". | \$8,274.00 |
| 300PC216 | | Quickie Q500 M SPC Single Power Option for SEDEO® PRO™ Seat Included in Base Pricing : Q500 M Base, VR-2 90amp Electronics for No Power Seat Functions, Six-Wheel Suspension, 13" Drive Wheels with Dual Density Inserts, 7" Flat Free Casters, ISO Occupied Tie-Down Brackets and 8amp Charger. Max Speed = 6mph, Weight Capacity = 300lbs., STFH = 16.5". | \$8,274.00 |
| 300PC217 | | Quickie Q500 M MPC Tilt/Recline for SEDEO® PRO™ Seat Included in Base Pricing: Q500 M Base, VR-2 90amp Electronics for No Power Seat Functions, Six-Wheel Suspension, 13" Drive Wheels with Dual Density Inserts, 7" Flat Free Casters, ISO Occupied Tie-Down Brackets and 8amp Charger. Max Speed = 6mph, Weight Capacity = 300lbs., STFH = 16.5". | \$8,274.00 |
| User Weight | | | \$ |
| 300WG23 | | Up to 300 lbs. | NC |
| Motor Package | | | \$ |
| 300PF99 | | 4-pole 10 kph / 6 mph <i>(Standard for Group 3 K0848, K0856, K0861)</i> | NC |
| Drive Wheels  P. 22 | | | \$ |
| 300DW69 | | Drive Wheel, 13", Dual Density, Knobby, Black | NC |
| Caster Wheels  P. 22 | | | \$ |
| 300CW59 | | Caster Wheels 7", Solid, Black | NC |
| Shroud Color | | | \$ |
| 300C119 | | Matte Black | NC |
| 300C165 | | Candy Apple Red | NC |
| 300C166 | | Candy Blue | NC |
| 300C167 | | Candy Purple | NC |
| 300C176 | | Green Apple | NC |
| 300C178 | | Pearl Pink | NC |
| 300C182 | | Silver | NC |
| Color Accents | | | \$ |
| <i>Note: Accent colors and shroud colors may not match.</i> | | | |
| 300EZ20 | | Apple Green | NC |
| 300EZ22 | | Black | NC |
| 300EZ21 | | Blue | NC |
| 300EZ23 | | Orange | NC |
| 300EZ24 | | Red | NC |
| 300EZ25 | | Silver | NC |
| 300EZ19 | | White | NC |

BASE

| OPTION | DESCRIPTION | RETAIL |
|--------|-------------|--------|
|--------|-------------|--------|

ISO Transit Tie Downs

\$

| | | |
|---------|---------------------|----|
| 300T050 | ISO Transit Package | NC |
|---------|---------------------|----|

LED Lights  P. 22

\$

| | | |
|---------|--|------------|
| 300LI04 | LED Lights and Indicators | \$1,207.00 |
| 300LI08 | LED Fender Lights | \$636.00 |
| 300LI09 | LED Fender Lights <i>(Available with multi-power only)</i> | NC |
| 300LI02 | Omit LED Lights | NC |

Seat Heights

\$

Seat Height *Measured from front of seat pan to floor with 0° frame angle.*

| | | |
|----------|---|----|
| 300HT103 | 16.5" | NC |
| 300HT55 | 17" | NC |
| 300HT104 | 17.5" | NC |
| 300HT56 | 18" | NC |
| 300HT105 | 18.5" | NC |
| 300HT57 | 19" <i>(Only available with Tilt or Seat Elevator.)</i> | NC |

Batteries and Chargers  P. 22

\$

Group 34 Battery Options

| | | |
|---------|---|----------|
| 300AG27 | GP34 Flat Top Pair w/Straps MK Gel | \$941.00 |
| 300AG29 | GP34 Flat Top Pair w/Straps Brightway AGM | \$850.00 |

Group 22 Battery

| | | |
|---------|-----------------------------|----------|
| 300AG31 | GP22 Flat Top Pair w/Straps | \$668.00 |
|---------|-----------------------------|----------|

Omit Batteries

| | | |
|---------|--|----|
| 300AG24 | Battery Harnesses Only <i>(Omit Batteries)</i> | NC |
|---------|--|----|

Chargers

| | | |
|---------|-------------------------|----------|
| 300BJ30 | 10A Dual Mode (Compact) | \$160.00 |
| 300BJ19 | 8A Dual Mode (Compact) | NC |

POWERED SEATING

| OPTION | DESCRIPTION | RETAIL |
|--------|-------------|--------|
|--------|-------------|--------|

Power Seating Options  P. 22

\$

Seat Elevator

| | | |
|---------|---|------------|
| 300PI07 | Seat Elevator, Powered, 300 mm / 12" | \$3,426.00 |
| 300PI08 | C-Me® Seat Elevator, Powered, 300 mm / 12" (C-Me speed up to 3 mph) (N/A with VR-2) | \$3,426.00 |

Seat Tilt

| | | |
|---------|--------------------|------------|
| 300PA48 | Posterior 50° Tilt | \$8,535.00 |
|---------|--------------------|------------|

Seat Recline

| | | |
|---------|--|------------|
| 300PA37 | 150° Powered Recline w/ 4" Shear Reduction | \$7,883.00 |
|---------|--|------------|

Seat Tilt/Recline

| | | |
|---------|--|-------------|
| 300PA41 | Posterior 50° Tilt and 150° Recline Powered, w/ 4" Shear Reduction | \$13,079.00 |
|---------|--|-------------|

Power Recline Backrest Preset Home Angle

| | | |
|--------|------------------------|----|
| 300QK1 | 90° | NC |
| 300QK2 | 95° (Default Position) | NC |

Pre Set Seat Frame Angle (No Power Seating Options, Increases Seat to Floor Height)

\$

| | | |
|---------|----------------------|----|
| 300FA10 | 0° (Adds 0" to STFH) | NC |
| 300FA3 | 3° (Adds 1" to STFH) | NC |

Backrest Frame Type

\$

| | | |
|---------|---|----------|
| 300BF16 | Tool Angle Adjustable Back, 90°-120° | NC |
| 300BF14 | User Adjustable Manual Semi-Recline Back, 90°-130°, Right (Adjustment Lever Mounted on Opposite Side of Joystick) | \$624.00 |
| 300BF15 | User Adjustable Manual Semi-Recline Back, 90°-130°, Left (Adjustment Lever Mounted on Opposite Side of Joystick) | \$624.00 |

Backrest Frame Option

\$

| | | |
|---------|--------------------------|----------|
| 300BF13 | Flip Down, Quick Release | \$176.00 |
|---------|--------------------------|----------|

Back Cushion Type

\$

| | | |
|----------|---|----------|
| 300BT134 | SEDEO® Back Cushion (Choose Seating in Section A) | NC |
| 300BT138 | JAY® Syncra™ (Choose Seating in Section B) | NC |
| 300BT135 | JAY® J3® (Choose Seating in Section C) | NC |
| 300BT137 | SEDEO® PRO™ Aftermarket Back Adapter (Height Adjustable Round Tubes for Traditional Mounting) | \$624.00 |
| 300BT133 | OMIT (For personalized Mounting. No Headrest Mount) | NC |

POWERED SEATING

| OPTION | DESCRIPTION | RETAIL |
|--------|-------------|--------|
|--------|-------------|--------|

A - SEDEO® Backrest Dimensions

\$

Back Width

| | | |
|---------|-------------|----|
| 300BN28 | 400mm / 16" | NC |
| 300BN29 | 460mm / 18" | NC |
| 300BN30 | 500mm / 20" | NC |
| 300BN31 | 560mm / 22" | NC |

Back Shell Height

| | | Tool Angle Adjust. | 150° Recline | Installed Back Height | |
|---------|-------------|--------------------|--------------|-----------------------|----|
| 300B255 | 460mm / 18" | 22"-23" | 23"-25" | | NC |
| 300B256 | 560mm / 22" | 24"-27" | 26"-29" | | NC |
| 300B257 | 660mm / 26" | 28"-30" | 30" | | NC |

Installed Back Height - (From Pan to Top of Back)

| | | |
|---------|-----|----|
| 300JR32 | 22" | NC |
| 300JR33 | 23" | NC |
| 300JR34 | 24" | NC |
| 300JR35 | 25" | NC |
| 300JR36 | 26" | NC |
| 300JR37 | 27" | NC |
| 300JR38 | 28" | NC |
| 300JR39 | 29" | NC |
| 300JR40 | 30" | NC |

B - JAY® Syncra™ Seating**B - JAY® Syncra™ Back**  P. 21

\$

| | | |
|---------|---|------------|
| 300JP14 | JAY® Syncra™ Back 16-20" Wide with 3" Contour Depth | \$1,319.00 |
| 300JP15 | JAY® Syncra™ Back 22" Wide with 3" Contour Depth | \$1,319.00 |

B - JAY® Syncra™ Back Width

\$

Back can be ordered a different width than seat pan. Armrest will be adjusted to back width ordered.

| | | |
|---------|---|----|
| 300JQ07 | 16" Wide (Adjustment range 16 to 17" Wide)* | NC |
| 300JQ08 | 18" Wide (Adjustment range 18 to 19" Wide)* | NC |
| 300JQ09 | 20" Wide (Adjustment range 20 to 21" Wide)* | NC |
| 300JQ10 | 22" Wide (Adjustment range 22 to 23" Wide) | NC |

*Additional +1" of shell width adjustment is achievable. Requires purchase of 1" larger foam and upholstery separately.

B - JAY® Syncra™ Back Shell Options and Height Ranges

\$

JAY® Syncra™ Back shells are mounted with a minimim 5.5" gap between the bottom of the shell to the seat pan to accommodate the mechanical shear. Back height can be adjusted in the field with-in the ranges shown based on the back frame type.

JAY® Syncra™ Shell Height

| | | |
|---------|---|----|
| 300JR42 | 16" Tall Shell (22" to 24" Back Height) | NC |
| 300JR43 | 18" Tall Shell (24" to 26" Back Height) | NC |
| 300JR44 | 20" Tall Shell (26" to 28" Back Height) | NC |
| 300JR45 | 22" Tall Shell (28" to 30" Back Height) | NC |

POWERED SEATING

| OPTION | DESCRIPTION | RETAIL |
|--|------------------------|--------|
| JAY® Syncra™ Back Installed Back Height (From Pan to Top of Back) | | |
| 300JR50 | 22" (16" Shell Height) | NC |
| 300JR51 | 23" (16" Shell Height) | NC |
| 300JR52 | 24" (16" Shell Height) | NC |
| 300JR53 | 24" (18" Shell Height) | NC |
| 300JR54 | 25" (18" Shell Height) | NC |
| 300JR55 | 26" (18" Shell Height) | NC |
| 300JR56 | 26" (20" Shell Height) | NC |
| 300JR57 | 27" (20" Shell Height) | NC |
| 300JR58 | 28" (20" Shell Height) | NC |
| 300JR67 | 28" (22" Shell Height) | NC |
| 300JR68 | 29" (22" Shell Height) | NC |
| 300JR69 | 30" (22" Shell Height) | NC |

B - JAY® Syncra™ Back Upholstery \$

| | | |
|---------|-----------------------------|----|
| 300BU96 | Syncra™ Premium Leatherette | NC |
| 300BU97 | Syncra™ Stretch | NC |

B - JAY® Syncra™ Fixed Lateral Support Accessory \$**JAY® Fixed Lateral Support Accessory Hardware** (JAY® Fixed Lateral Support is height adjustable)

| | | |
|---------|--|----------|
| 300JW33 | Fixed Lateral Support Accessory (L x H) 90 mm x 140 mm / 3.5" x 8" - Right | \$317.00 |
| 300JW34 | Fixed Lateral Support Accessory (L x H) 90 mm x 140 mm / 3.5" x 8" - Left | \$317.00 |

C - JAY® J3® Back**C - JAY® J3® Back - Contour**  P. 22 \$

| | | |
|---------|--|------------|
| 300JP01 | J3® PA Back for 16"-20" Wide | \$899.00 |
| 300JP02 | J3® PA Back for 22" Wide | \$1,912.00 |
| 300JP11 | J3® PL Back for 16"-20" Wide | \$971.00 |
| 300JP13 | J3® PD Back for 16"-20" Wide (18" and 21" Shell Height Only) | \$1,052.00 |

C - JAY® J3® Back Width \$

Back can be ordered a different width than seat pan. Armrest will be adjusted to back width ordered.

| | | |
|---------|-----|----|
| 300JQ02 | 16" | NC |
| 300JQ03 | 18" | NC |
| 300JQ04 | 20" | NC |
| 300JQ05 | 22" | NC |

POWERED SEATING

| OPTION | DESCRIPTION | RETAIL |
|--------|-------------|--------|
|--------|-------------|--------|

C - JAY® J3® Back Shell Options and Height Ranges

\$

JAY® J3® shells are mounted with a minimum 4" gap between the bottom of the shell to the seat pan to accommodate the mechanical shear. Back height can be adjusted in the field within the ranges shown.

JAY® J3® Shell Height

| | | | Tool Angle Adjust. | 150° Recline | Installed Back Height | | |
|---------|--|--|--------------------|--------------|-----------------------|--|----|
| 300JR41 | | 15" tall shell (Upper Thoracic Med) for 22" Wide | 22"-23" | 22"-23" | | | NC |
| 300JR14 | | 16.5" tall shell (Upper Thoracic Short) | 21"-23" | 22"-24" | | | NC |
| 300JR15 | | 18" tall shell (Upper Thoracic Med) | 22"-24" | 23"-25" | | | NC |
| 300JR16 | | 19.5" tall shell (Upper Thoracic Tall) | 24"-26" | 24"-26" | | | NC |
| 300JR18 | | 18" tall shell (Shoulder Height) for 22" wide | 24" | 24" | | | NC |
| 300JR17 | | 21" tall shell (Shoulder Height) | 24"-26" | 25"-28" | | | NC |
| 300JR27 | | 22.5" tall shell (Shoulder Height) | 26"-28" | 27"-30" | | | NC |
| 300JR28 | | 24" tall shell (Shoulder Height) | 27"-29" | 28"-30" | | | NC |

JAY® J3® Installed Back Height (From Pan to Top of Back)

| | | | | | | |
|---------|--|-----|--|--|--|----|
| 300JR29 | | 21" | | | | NC |
| 300JR19 | | 22" | | | | NC |
| 300JR20 | | 23" | | | | NC |
| 300JR21 | | 24" | | | | NC |
| 300JR22 | | 25" | | | | NC |
| 300JR23 | | 26" | | | | NC |
| 300JR24 | | 27" | | | | NC |
| 300JR25 | | 28" | | | | NC |
| 300JR30 | | 29" | | | | NC |
| 300JR31 | | 30" | | | | NC |

C - JAY® Anterior Thoracic Support  P. 22

\$

Classic-Structure Pull Down Harness (4 point strap, only available with JAY® backrest)

| | | | |
|--------|--|------------------|----------|
| 300K10 | | Medium (ATS8302) | \$317.00 |
| 300K11 | | Large (ATS8303) | \$317.00 |



POWERED SEATING

| OPTION | DESCRIPTION | RETAIL |
|--|--|----------|
| JAY® Lateral Thoracic Swing-Away Supports (Requires Pad, Upholstery and Mount) | | \$ |
| JAY® Lateral Thoracic Support Pads | | |
| 300JW35 | Lateral Thoracic (L x H) 100 mm x 127 mm / 4" x 5" Pad - Right | \$71.00 |
| 300JW38 | Lateral Thoracic (L x H) 100 mm x 127 mm / 4" x 5" Pad - Left | \$71.00 |
| 300JW36 | Lateral Thoracic (L x H) 100 mm x 152 mm / 4" x 6" Pad - Right | \$71.00 |
| 300JW39 | Lateral Thoracic (L x H) 100 mm x 52 mm / 4" x 6" Pad - Left | \$71.00 |
| 300JW37 | Lateral Thoracic (L x H) 152 mm x 100 mm / 6" x 4" Pad - Right | \$71.00 |
| 300JW40 | Lateral Thoracic (L x H) 152 mm x 100 mm / 6" x 4" Pad - Left | \$71.00 |
| JAY® Lateral Thoracic Support Pad Upholstery | | |
| 300NU01 | Syncra™ Premium Leatherette | NC |
| 300NU02 | Syncra™ Stretch | NC |
| JAY® Lateral Thoracic Swing-Away Mount | | |
| 300JW41 | Lateral Thoracic Swing Away Bracket - Right | \$317.00 |
| 300JW42 | Lateral Thoracic Swing Away Bracket - Left | \$317.00 |
| Headrests (Requires Pad, Upholstery, & Mount)  P. 24 | | \$ |
| Headrest Pad | | |
| 300HE36 | SEDEO® Pad Small with Cover (LxH) 240 x 150 mm / 10" x 6" <i>Can only be used with Multi Position Headrest Mount with quick-release and SEDEO® upholstery</i> | \$224.00 |
| 300HE38 | Whitmyer® Plush Headrest Pad 203 mm / 8" | \$371.00 |
| 300HE39 | Whitmyer® Plush Headrest Pad 254 mm / 10" | \$371.00 |
| 300HE44 | Whitmyer® Plush Headrest Pad 356 mm / 14" | \$371.00 |
| 300HE46 | Whitmyer® Adjust-A-Plush Headrest Pad Medium <i>(Adjustable 7" to 16" Wide x 4" Tall)</i> | \$438.00 |
| 300HE48 | OMIT Headrest Pad | NC |
| Headrest Pad Upholstery | | |
| 300NU10 | SEDEO® Upholstery | NC |
| 300NU04 | Syncra™ Premium Leatherette | NC |
| 300NU11 | Whitmyer® Lycra / Stretch | NC |
| Headrest Mount | | |
| 300MH32 | SEDEO® Multi-Position Headrest Mount with Quick Release <i>(Only available with SEDEO® Pad)</i> | \$549.00 |
| 300MH33 | Whitmyer® Linx Headrest Mount with Quick Release | \$243.00 |
| 300MH34 | Whitmyer® Linx-2 Headrest Mount with Quick Release | \$294.00 |
| 300MH35 | Whitmyer® AXYS Headrest Mount with Quick Release | \$243.00 |
| 300MH17 | OMIT Headrest Mount | NC |

POWERED SEATING

| OPTION | DESCRIPTION | RETAIL |
|---|--|----------|
| Push Handles \$ | | |
| 300PH27 | Height Adjustable Push Handles | \$60.00 |
| Seat Frame Rails \$ | | |
| 300SN14 | Seat Rail Short, for Effective Seat Depth 14" - 18" | \$794.00 |
| 300SN15 | Seat Rail Long, for Effective Seat Depth 17" - 22" | \$794.00 |
| Seat Cushion Type \$ | | |
| 300ST79 | SEDEO® (See Section D) | NC |
| 300ST81 | JAY® Syncra™ (See Section E) | NC |
| 300ST80 | JAY® (See Section F) | NC |
| 300ST75 | Omit | NC |
| Seat Size \$ | | |
| Seat Pan Width (Odd sizes not available on SEDEO® cushions) | | |
| 300R53 | 16" | NC |
| 300R54 | 17" | NC |
| 300R55 | 18" | NC |
| 300R56 | 19" | NC |
| 300R57 | 20" | NC |
| 300R58 | 21" (Not available with JAY® Syncra™ Cushions) | NC |
| 300R59 | 22" | NC |
| Seat Pan Depth (Front of seat pan to front of back cushion – effective depth) | | |
| 300RF52 | 14" | NC |
| 300RF53 | 15" | NC |
| 300RF51 | 16" | NC |
| 300RF45 | 17" | NC |
| 300RF46 | 18" | NC |
| 300RF47 | 19" | NC |
| 300RF48 | 20" | NC |
| 300RF49 | 21" (Not available with JAY® Syncra™ Cushions) | NC |
| 300RF50 | 22" | NC |
| D - SEDEO® Cushions  P. 22 \$ | | |
| 300CU82 | SEDEO® Cushion (Sizes 16", 18", & 20" Wide) (Not available with 14" depth) | \$421.00 |
| 300CU83 | SEDEO® Cushion (Sizes 22" Wide) | \$529.00 |

POWERED SEATING

| OPTION | DESCRIPTION | RETAIL |
|--|--|------------|
| E - JAY® Syncra™ Cushion  P. 21 (JAY Your Way modifications available through Customer Service (800) 333-4000) \$ | | |
| 300CU89 | JAY® Syncra™ Cushion featuring JAY Flow® Fluid with Cryo™ Technology (16" to 20" wide) | \$1,002.00 |
| 300CU90 | JAY® Syncra™ Cushion featuring JAY Flow® Fluid with Cryo™ Technology (22" wide) | \$1,108.00 |
| JAY® Syncra™ Cushion Cover Upholstery | | |
| 300YR73 | Syncra™ Premium Leatherette | NC |
| 300YR74 | Syncra™ Stretch | NC |
| F - JAY® Seat Cushion  P. 23 \$ | | |
| 300CU59 | JAY® Ion® (Sizes 16" to 21" Wide) | \$498.00 |
| 300CU60 | JAY® Ion® (Size 22" Wide) | \$688.00 |
| 300CU61 | JAY® Union® (Sizes 16" to 21" Wide) | \$753.00 |
| 300CU62 | JAY® Union® (Size 22" Wide) | \$794.00 |
| 300CU64 | JAY® Fusion® (Sizes 16" to 21" Wide) | \$1,030.00 |
| 300CU65 | JAY® Fusion® (Size 22" Wide) | \$1,155.00 |
| F - JAY® Solid Seat \$ | | |
| 300CU84 | JAY® Solid Seat | \$343.00 |

POSITIONING SUPPORTS & ACCESSORIES

| OPTION | DESCRIPTION | RETAIL |
|--|--|----------|
| Knee and Thigh Swing-Away Support Pads | | \$ |
| Lateral Knee Support Pads and Hardware (must pick pad and mount) | | |
| 300XY05 | Lateral Knee Support Pad, Right (4" round) | \$243.00 |
| 300XY06 | Lateral Knee Support Pad, Left (4" round) | \$243.00 |
| 300XX08 | Lateral Swing-Away Bracket Knee - Right | \$320.00 |
| 300XX09 | Lateral Swing-Away Bracket Knee - Left | \$320.00 |
| Lateral Thigh Support Pads and Hardware (must pick pad and mount) | | |
| 300KF22 | Lateral Thigh Support Pad Short - Right (4.8" H x 4.8" L / 120mm x 120mm) | \$144.00 |
| 300KF23 | Lateral Thigh Support Pad Short - Left (4.8" H x 4.8" L / 120mm x 120mm) | \$144.00 |
| 300KF24 | Lateral Thigh Support Pad Long - Right (4.8" H x 7" L / 120mm x 120mm) | \$144.00 |
| 300KF25 | Lateral Thigh Support Pad, Long - Left (4.8" H x 7" L / 120mm x 120mm) | \$144.00 |
| 300KF26 | Lateral Thigh Removable Mount - Right | \$320.00 |
| 300KF27 | Lateral Thigh Removable Mount - Left | \$320.00 |
| JAY® Lateral Thigh Supports (Must pick pad, upholstery, and mount) | | \$ |
| JAY® Lateral Thigh Support Pads | | |
| 300KF16 | Lateral Thigh Support Pad Standard, Right (8.25" x 3.25") | \$150.00 |
| 300KF17 | Lateral Thigh Support Pad Standard, Left (8.25" x 3.25") | \$150.00 |
| 300KF18 | Lateral Thigh Support Pad Large, Right (12" x 3.25") | \$150.00 |
| 300KF19 | Lateral Thigh Support Pad Large, Left (12" x 3.25") | \$150.00 |
| JAY® Lateral Thigh Support Pad Upholstery | | |
| 300NU07 | Syncra™ Premium Leatherette | NC |
| 300NU08 | Syncra™ Stretch | NC |
| JAY® Lateral Thigh Removable Mount | | |
| 300KF20 | Lateral Thigh Removable Mount - Right | \$320.00 |
| 300KF21 | Lateral Thigh Removable Mount - Left | \$320.00 |
| Armrest Structure  P. 23 | | \$ |
| 300EG35 | Reclining, Flip Back, Long (Height Adjustable 9" to 15") | NC |
| 300EG41 | Reclining, Flip Back, Short (Best used with shorter seat depths) (Height Adjustable 9" to 15") | NC |
| 300EG36 | Reclining, Flip Back with 2-point post locking arm. (Height Adjustable 11" to 15" x 0.625") | \$346.00 |
| 300EG32 | Single Post, Flip Back (N/A with thigh support) (Height Adjustable 10" to 15") | NC |
| Arm Pads  P. 23 | | \$ |
| SEDEO® Armrest Pad | | |
| 300AB43 | 300 mm / 12", Integral Foam, Right | NC |
| 300AE43 | 300 mm / 12", Integral Foam, Left | NC |
| 300AB44 | 400 mm / 16", Integral Foam, Right | NC |
| 300AE44 | 400 mm / 16", Integral Foam, Left | NC |
| Comfort Arm Pad (Foam) | | |
| 300AB46 | 2" Wide Right | \$111.00 |
| 300AE46 | 2" Wide Left | \$111.00 |

POSITIONING SUPPORTS & ACCESSORIES

| OPTION | DESCRIPTION | RETAIL |
|--|--|------------|
| Comfort Arm Pad (Gel) | | |
| 300AB48 | 2" Wide Right | \$210.00 |
| 300AE48 | 2" Wide Left | \$210.00 |
| Ottobock® Arm Troughs | | |
| 300AE06 | Ottobock Arm Trough, Med Left | \$137.00 |
| 300AB06 | Ottobock Arm Trough, Med Right | \$137.00 |
| 300AE07 | Ottobock Arm Trough, Large Left | \$137.00 |
| 300AB07 | Ottobock Arm Trough, Large Right | \$137.00 |
| 300OL01 | Ottobock Hand Pad, Med Left | \$69.00 |
| 300OR01 | Ottobock Hand Pad, Med Right | \$69.00 |
| 300OL02 | Ottobock Hand Pad, Large Left | \$69.00 |
| 300OR02 | Ottobock Hand Pad, Large Right | \$69.00 |
| 300AE78 | Ottobock One Piece Arm Trough, Left | \$195.00 |
| 300AB78 | Ottobock One Piece Arm Trough, Right | \$195.00 |
| Side Guards (Pair) | | \$ |
| 300SG44 | Side Guards Integral Foam (11"L x 5.5"H) (N/A with Reclining Armrests) | \$351.00 |
| Fixed Centermount Legrest | | \$ |
| 300H183 | SEDEO® Seating Fixed Centermount Legrest (3" to 17.5" Leg Length) | \$346.00 |
| 300H184 | Fixed Centermount Legrest, Short (Includes Calf Pads and Single Footplate) (11.5" to 14.5" Leg Length) | NC |
| 300H185 | Fixed Centermount Legrest, Long (Includes Calf Pads and Single Footplate) (13.5" to 18.5" Leg Length) | NC |
| Power Centermount Legrest  P. 23 | | \$ |
| 300H175 | Power Centermount Legrest, 90° - 0° Angle, 7.5" Extension (Mechanical Articulation) (5" to 17.5" Leg Length) | \$2,450.00 |
| 300H109 | Power Centermount Legrest, 90° - 0° Angle, 7.5" Extension (Powered Articulation) (3" to 17.5" Leg Length) | \$3,384.00 |
| Centermount Legrest Accessories | | \$ |
| Footplates | | |
| 300F127 | Dual, Height, Width and Angle Adjustable, Standard (14"W x 10"D) | \$280.00 |
| 300F128 | Dual, Height, Width and Angle Adjustable, Large (16"W x 12"D) | \$280.00 |
| Calf Pad Options | | |
| 300DI34 | Calf Pads, Pair, Standard Integral Foam | NC |
| 300DI35 | Calf Pads, Pair, Padded (N/A w/ Std footplate) | \$351.00 |
| SEDEO® PRO™ Swing-Away Legrest (Pair) (Footplates, calf supports & options must be selected separately.) | | \$ |
| 300H177 | Legrests, Swing-Away, 70°, SEDEO® PRO™ (14" to 21" Leg Length) | NC |
| 300H178 | Legrests, Manual Elevating, Swing-Away, SEDEO® PRO™ (Includes Padded Calf Pads) (14.5" to 21.5" Leg Length) | \$374.00 |
| 300H179 | Legrests, Power Elevating, Swing-Away, SEDEO® PRO™ (Includes Padded Calf Pads) (15.5" to 22.5" Leg Length) | \$3,384.00 |
| 300DI76 | Omit Legrests | NC |


POSITIONING SUPPORTS & ACCESSORIES

| OPTION | DESCRIPTION | RETAIL |
|---|--|-----------|
| Swing-Away Legrest Footplates | | |
| 300F369 | Angle Adjustable Flip-Up Footplates | \$280.00 |
| Swing-Away Legrest Calf Supports | | |
| 300DI42 | Calf Support, Depth Adjustable, Padded <i>(6.5" to 8" Wide, depending on chair width, x 9.5" Tall)</i> | \$504.00 |
| Swing-Away Legrest Options | | |
| 300DI44 | Heel Loops | NC |
| 300KG4 | Knee Pads, Integral Foam <i>(2.5" Wide x 4.5" Tall)</i> | \$278.00 |
| SEDEO® Lower Extremity Swing-Away Support | | |
| 300VD01 | Lower Extremity Support, Padded, Swing-Away, SEDEO®, Right | \$504.00 |
| 300VD02 | Lower Extremity Support, Padded, Swing-Away, SEDEO®, Left | \$504.00 |
| Pelvic Positioning Belts  P. 23 | | |
| 300A837 | Positioning Belt, Auto Style Buckle, 50 mm 1600 mm / 2" | NC |
| 300A839 | Positioning Belt, Aircraft Buckle, 50 mm x 1300 mm / 2" | NC |
| 300A840 | Positioning Belt, Aircraft Buckle, Padded 50 mm x 1300 mm / 2" | \$101.00 |
| 300A845 | Bodypoint – Evoflex Pelvic Stabilizer Belt | \$213.00 |
| 300A846 | Bodypoint – Evoflex Pelvic Stabilizer Belt with Extension | \$267.00 |
| Accessories | | \$ |
| Ventilator Option | | |
| 300VT12 | Vent Tray Fixed <i>(Pulmonetic LTV Models)</i> | \$600.00 |
| O2 Tank Option | | |
| 300A718 | O2 Tank Holder Mounted to Backrest <i>(D and E Styles)</i> | \$385.00 |
| Wheelchair Tray Table | | |
| 3007A09 | Tray, Swing-Away | \$375.00 |
| Backpack | | |
| 300A1 | Black Utility | \$110.00 |
| Medial Thigh Support | | |
| 3008A80 | Medial Thigh Support | \$267.00 |
| 3008A81 | Pommel Swing-Away Hardware | \$384.00 |
| Misc. Accessories | | |
| 3008A59 | Transfer Bar <i>(Pair)</i> | \$486.00 |
| 3008A52 | Ram Mount Phone | \$76.00 |
| 3008A53 | Ram Mount Tablet | \$303.00 |
| 3008A54 | Ram Mount Cup Holder | \$76.00 |
| 3008A58 | Rear View Mirror | \$76.00 |
| 300A611 | Crutch Holder | \$133.00 |
| 3008A73 | Bag For Armrest | \$76.00 |
| 3008A75 | Reflectors <i>(Backrest shroud mounted)</i> | \$76.00 |
| 3009A10 | Utility Hooks | \$57.00 |


JOYSTICK / ELECTRONICS

| VR-2 Joystick | | | | \$ |
|--|--|---|--|------------|
| 300J127 | | VR-2 Joystick | | NC |
| R-net Joystick (Remote)  P. 24 | | | | \$ |
| 300J121 | | Standard LED Joystick (w/o Screen Display) | | NC |
| 300J116 | | Color Joystick (2.3" Color LCD Screen Display, CJSM1) | | NC |
| 300J118 | | High Resolution Color Joystick, (CJSM2+BT) 3.5" Color LCD Display, Paddle Switches, Programmable Shortcut Keys, ICONs, Stereo Jack, IR and dual (IOS/Android) Bluetooth control | | \$1,245.00 |
| 300J119 | | Omit Remote Control (Required with arm mounted specialty controls) | | NC |
| Joystick Mounting | | | | \$ |
| 300JM34 | | Fixed on Armrest | | NC |
| 300JM35 | | Parallel Swing-Away | | \$440.00 |
| 300JM36 | | Link-It Mid Line Mount on Armrest (Swing-Away) | | \$440.00 |
| Joystick Mount (Location) | | | | \$ |
| 300HM16 | | Right Hand Armrest | | NC |
| 300HM17 | | Left Hand Armrest | | NC |
| Display Language Selection R-net | | | | \$ |
| 300L1 | | English | | NC |
| 300L3 | | French | | NC |
| 300L7 | | Spanish | | NC |
| Joystick Handle (Optional)  P. 24 | | | | \$ |
| 300JH13 | | Ball Handle | | \$108.00 |
| 300JH15 | | T-Handle | | \$108.00 |
| 300JH24 | | Bodypoint – Rubber Dome Joystick Handle | | \$213.00 |
| 300JH25 | | Bodypoint – U-Shaped Joystick Handle (4 in) | | \$213.00 |
| 300JH26 | | Bodypoint – Grooved Mushroom Joystick Handle | | \$213.00 |
| Electronic Programmers  P. 25 | | | | \$ |
| 300PR10 | | R-net PC Programmer w/ Dongle | | \$696.00 |
| R-net Power Modules  P. 25 | | | | \$ |
| 300ER12 | | Power Module, VR-2 90A, Non-Expandable | | NC |
| 300ER22 | | Power Module, R-net, 90A, Non-Expandable (Only available with single power) | | NC |
| 300ER13 | | Power Module, R-net, 90A, Expandable (Required for Specialty Controls or 2+ Actuators) | | NC |
| 300EX11 | | Expandable 90A Controller - R-net | | NC |
| 300EX12 | | Harness for 90A Expandable Controller | | NC |

JOYSTICK / ELECTRONICS

| OPTION | DESCRIPTION | RETAIL |
|---|--|------------|
| Seating Control | | \$ |
| Powered Seating Control | | |
| 300E040 | Omit Thru-Drive <i>(Requires Switch Control)</i> | NC |
| 300E037 | Thru-drive Control for 1 Actuator | \$1,422.00 |
| 300E038 | Thru-drive Control for 2+ Actuators | \$2,860.00 |
| Switch Control <i>(Available with Omit Thru-Drive only) (1 Actuator for Tilt or Elevate only)</i> | | |
| 300E033 | Dual Toggle for 1 Actuator | NC |
| 300E034 | 2.5" Single Button Switch for 1 Actuator | NC |
| 300E041 | Ctrl+5 Switch Box for 2 Actuators or more | NC |
| Additional Power Seating Control <i>(Available with Thru-Drive only)</i> | | |
| 300QG11 | Ctrl+5 Switch Box with Free Assignable Functions | \$1,062.00 |
| 300QG12 | Ctrl+5 Switch Box with Free Assignable Functions <i>(Multi-power only)</i> | NC |
| Dual Toggle Mounting Location | | |
| 300TN1 | Toggle Mount, Right | NC |
| 300TN2 | Toggle Mount, Left | NC |
| Ctrl+5 Mounting location | | |
| 300EY19 | Right Armrest | NC |
| 300EY20 | Left Armrest | NC |
| 300EY21 | Back Cane, Right | NC |
| 300EY24 | Back Cane, Left | NC |
| Ctrl+5 Switch Type  P. 25 | | |
| 300EY22 | Push Buttons | NC |
| 300EY23 | Toggle Switches | \$351.00 |
| Attendant Controls  P. 25 | | \$ |
| 3000A05 | Dual Control Module for Attendant | \$1,207.00 |
| 3000A06 | R-net Color LCD (CJSM1), Control Attendant Only | \$1,207.00 |
| Attendant Mounting Location | | \$ |
| 300DN5 | Right Back Cane | NC |
| 300DN6 | Left Back Cane | NC |

JOYSTICK / ELECTRONICS

| OPTION | DESCRIPTION | RETAIL |
|--|--|------------|
| R-net Programming | | \$ |
| Assignable Buttons | | |
| <i>Assignable Button feature allows for personalization of joystick buttons and/or Ctrl+5 Switches allowing access to various wheelchair and seating functions. When enabled, chair will be pre-programmed with seating functions assigned to buttons on the joystick. Assignments can be changed via PC Dongle.</i> | | |
| 300PM12 | Include Assignable Buttons | NC |
| Power Centermount Footplate Extension Option | | |
| 300IE03 | Include 7.5" Powered Footplate Extension for Transfer Assist <i>(Electronics programmed to allow footplates to be extended with or without legrest being raised.) Only Available with Powered Articulation</i> | \$583.00 |
| R-net Omni2 Options | | \$ |
|  P. 25 For Expandable Controls, choose all that apply. | | |
| 300ON14 | R-net Omni2 Only Input Control Module and 3.5" LCD Display w/ Built-In Infrared and Bluetooth® Choose Mount Below | \$2,349.00 |
| 300ON15 | R-net Omni2 Bundled Input Control Module and 3.5" LCD Display w/ Built-In Infrared and Bluetooth® Bundled Omni2 Available w/ Switch-It Input Devices | NC |
| Omni2 Mount <i>If used w/ Standard Joystick, it must be mounted opposite side.</i> | | \$ |
| 300DS14 | Link-It with Parallel Swing-Away Omni2 Mount w/Rear Mounted Interface, Right | \$688.00 |
| 300DS15 | Link-It with Parallel Swing-Away Omni2 Mount w/Rear Mounted Interface, Left | \$688.00 |

SPECIALTY INPUT DEVICES

| OPTION | DESCRIPTION | RETAIL |
|--------|-------------|--------|
|--------|-------------|--------|

Hand Control Packages  P. 25 *Requires Standard Joystick Omit / Only one hand control device can be ordered.*

\$

Proportional Input Devices

| | | |
|---------|-------------------------|------------|
| 300EU14 | Switch-It MicroGuide | \$4,574.00 |
| 300EU15 | Switch-It MicroPilot | \$4,574.00 |
| 300EU17 | Switch-It VersaGuide | \$2,519.00 |
| 300EU18 | Switch-It VersaGuide EZ | \$2,978.00 |

Mounting Position (Required)

| | | |
|---------|--|------------|
| 300EM04 | Link-It to the Backrest <i>(Not Available w/ Omit Back Cushion Type)</i> | \$1,318.00 |
| 300EM05 | Link-It to the Fixed Joystick Mount | \$410.00 |
| 300EM06 | Link-It to the Parallel Swing-Away Joystick Mount | \$410.00 |
| 300EM07 | Link-It to the Midline Swing-Away | \$1,458.00 |
| 300EM08 | Omit Mount | NC |

Mounting Platforms (Optional) *Not available w/ Link-It to Backrest*

| | | |
|---------|--|----------|
| 300MG16 | SunDisk Hand Tray <i>(Only available w/ MicroSeries Joysticks)</i> | \$410.00 |
| 300MG15 | Bullet Hand Tray | \$410.00 |

Mounting Location (Required)

| | | |
|---------|-------|----|
| 300IM09 | Right | NC |
| 300IM10 | Left | NC |

Switch Options

| | | |
|---|--|---|
| – | See Switch Selections <i>(Maximum 2)</i> | – |
|---|--|---|

Head Control Packages  P. 26 *(Select headrest mount on next page)*

\$

Only one head control device can be ordered.

Proportional Input Devices

| | | |
|---------|--|------------|
| 300EU25 | Switch-It DualPro® Proportional Head Array - Facial Pads | \$6,953.00 |
| 300EU26 | Switch-It DualPro® Proportional Head Array - Spot Pads | \$6,953.00 |
| 300EU51 | Switch-It Vigo Head Drive | \$6,200.00 |

Switched Input Devices

| | | |
|---------|--|------------|
| 300EU28 | Switch-It 3-Switch Head Array - Short Curved Wings | \$6,063.00 |
| 300EU30 | Switch-It 3-Switch Head Array - Long Curved Wings | \$6,063.00 |

Switch Options

| | | |
|---|--|---|
| – | See Switch Selections <i>(Maximum 2)</i> | – |
|---|--|---|

SPECIALTY INPUT DEVICES

| OPTION | DESCRIPTION | RETAIL |
|---|---|------------|
| Sip 'N Puff \$ | | |
| 300ID73 | Switch-It Sip 'N Puff Combo Head Array with Link-It Hardware <i>(Requires headrest mount)</i> | \$6,933.00 |
| 300ID74 | Switch-It OptiStop with Sip 'N Puff | \$2,700.00 |
| Headrest Mounts <i>(Applies to Head/Sip 'N Puff control packages)</i> \$ | | |
| 300IJ13 | Whitmyer® Linx Headrest Mount with Quick Release | \$243.00 |
| 300IJ14 | Whitmyer® Linx-2 Headrest Mount with Quick Release | \$294.00 |
| 300IJ15 | Whitmyer® AXYS Headrest Mount with Quick Release | \$243.00 |
| Chin Control Packages  P. 26 \$ | | |
| Proportional Input Devices | | |
| 300EU34 | Switch-It MicroGuide <i>(Switches mounted to the headrest only.)</i> | \$4,574.00 |
| 300EU35 | Switch-It MicroPilot <i>(Switches mounted to the headrest only.)</i> | \$4,574.00 |
| 300EU36 | Switch-It VersaGuide | \$2,519.00 |
| 300EU37 | Switch-It VersaGuide EZ | \$2,978.00 |
| Mounting Position | | |
| 300EM09 | Link-It To Chin Harness, Small (150mm / 6") | \$1,734.00 |
| 300EM10 | Link-It To Chin Harness, Large (220mm / 8") | \$1,734.00 |
| 300EM11 | Link-It To Headrest, Swing-Away | \$1,734.00 |
| 300EM16 | Omit Mount | NC |
| Input Device Mounting Location | | |
| 300IM13 | Right | NC |
| 300IM14 | Left | NC |
| Switch Options | | |
| – | See Switch Selections | – |
| Safety Devices \$ | | |
| 300SA06 | Switch-It Remote Stop Switch - XLR Connector | \$1,298.00 |
| Switched Driving Packages \$ | | |
| 300SW44 | Switch-It™ Cool Cube with DB9 connector for proximity/proportional switch driving. <i>(Pro Spot proportional switches are required if proportional driving is desired.)</i> <i>(For non-proportional driving, single switches can be used.)</i> | \$3,736.00 |

SPECIALTY INPUT DEVICES

| OPTION | HCPC | DESCRIPTION | RETAIL |
|--------|------|-------------|--------|
|--------|------|-------------|--------|

Switches  P. 26

Single switches can be programmed to activate any function of the wheelchair including: On/Off, Mode, Profile, Speeds, Seating, Memory Positions, Horn, Lights & Indicators, IR functions, Bluetooth mouse clicks, Environmental Controls when plugged into assignable port.

Switches can connect via: Joysticks (Standard, Micro series, Versa series) Omni2, SJX6 Hub, head controls

Switch ordering instructions:

1. Select switch type and quantity in Section "A" using columns below. (Max 6 switches. See limitations below.)
2. Select switch mounting position from Section "B" using corresponding switch column.
3. Select switch mounting location from Section "C" using corresponding switch column.

Section A – Switch Selections

Switch / Quantity

| Single Function Switches - Mechanical Switches | Switch 1 | Switch 2 | Switch 3 | Switch 4 | Switch 5 | Switch 6 | \$ |
|--|----------|----------|----------|----------|----------|----------|----------|
| 2.5" Single Switch - Black | | | | | | | \$108.00 |
| 2.5" Single Switch - Blue | | | | | | | \$108.00 |
| 2.5" Single Switch - Green | | | | | | | \$108.00 |
| 2.5" Single Switch - Red | | | | | | | \$108.00 |
| 2.5" Single Switch - Yellow | | | | | | | \$108.00 |
| Egg Switch - Black | | | | | | | \$108.00 |
| Egg Switch - Blue | | | | | | | \$108.00 |
| Egg Switch - Green | | | | | | | \$108.00 |
| Egg Switch - Red | | | | | | | \$108.00 |
| Egg Switch - Yellow | | | | | | | \$108.00 |
| MicroLite <i>(Includes color labels)</i> | | | | | | | \$113.00 |
| Mini Button 1 - Blue <i>(Velcro)</i> | | | | | | | \$303.00 |
| Mini Button 1 - Green <i>(Velcro)</i> | | | | | | | \$303.00 |
| Mini Button 1 - Red <i>(Velcro)</i> | | | | | | | \$303.00 |
| 1" Single Switch - Black | | | | | | | \$382.00 |
| 1" Single Switch - Blue | | | | | | | \$382.00 |
| 1" Single Switch - Green | | | | | | | \$382.00 |
| 1" Single Switch - Orange | | | | | | | \$382.00 |
| 1" Single Switch - Red | | | | | | | \$382.00 |
| 1" Single Switch - Yellow | | | | | | | \$382.00 |
| Electronic Switches | | | | | | | |
| Flex Switch (Headrest mount only) | | | | | | | \$534.00 |
| ProSpot - Proportional Switches | | | | | | | |
| ProSpot Proportional Switch - Red | | | | | | | \$534.00 |
| ProSpot Proportional Switch - Green | | | | | | | \$534.00 |
| ProSpot Proportional Switch - Blue | | | | | | | \$534.00 |
| ProSpot Proportional Switch - Yellow | | | | | | | \$534.00 |
| ProSpot Proportional Switch - Orange | | | | | | | \$534.00 |

Section B – Switch Mounting Position

| | | | | | | | |
|--|--|--|--|--|--|--|------------|
| Link-It to the Backrest <i>(Up to 1 per side)</i> | | | | | | | \$1,388.00 |
| Link-It to the Headrest - Gooseneck & Rigid <i>(Up to 2 per side)</i> | | | | | | | \$1,734.00 |
| Link-It to the Fixed Joystick Mount <i>(Up to 2 per side)</i> | | | | | | | \$410.00 |
| Link-It to the Parallel Swing-Away Joystick Mount <i>(Up to 2 per side)</i> | | | | | | | \$410.00 |
| Link-It to the Seat Rail <i>(Up to 2 per side)</i> <i>(Not avail w/knee & thigh supports)</i> | | | | | | | \$548.00 |
| Omit Mount <i>(includes Velcro)</i> | | | | | | | NC |

Section C – Switch Mounting Location

| | | | | | | | |
|---------------------|--|--|--|--|--|--|----|
| Right side of chair | | | | | | | NC |
| Left side of chair | | | | | | | NC |

Joystick Integrated Switches (Pair)

| | | | | | | | |
|---------|---|--|--|--|--|--|------------|
| 300J003 | – | Proximity Switches on Flex Mount, Pair <i>(Used with VersaGuide/VersaGuide EZ)</i> | | | | | \$1,382.00 |
|---------|---|--|--|--|--|--|------------|

JAY® SYNCRA™ SEATING MEASURING GUIDE

JAY® SYNCRA™ BACK



| | | | | |
|-----------------------------|-------|-------|-------|-------|
| Backrest Width | 16" | 18" | 20" | 22" |
| Max User Trunk Width | 13.5" | 15.5" | 17.5" | 19.5" |

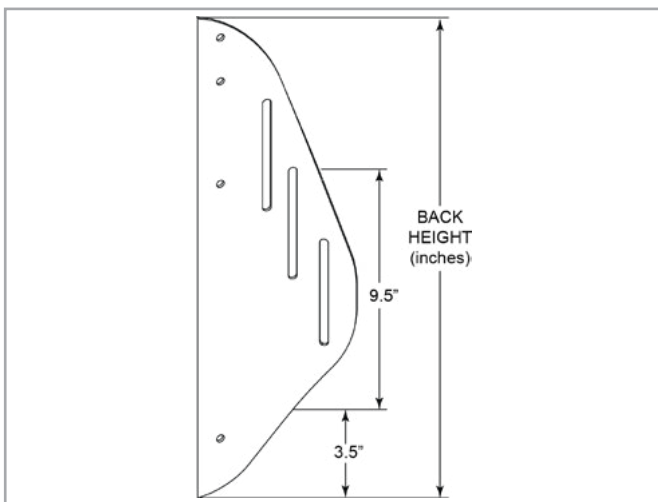
JAY® Swing-Away Lateral Thoracic Adjustment Range

| Syncra Back Width | Width Range | Height range from bottom of shell to seat pan |
|-------------------|-------------|---|
| 16" | 10" to 24" | 12" to 19.5" |
| 18" | 12" to 26" | 12.5" to 21.5" |
| 20" | 14" to 28" | 12.5" to 22" |
| 22" | 16" to 30" | 13.5" to 23" |

Syncra™ Fixed Lateral Support Accessory Range

| Syncra Back Width | Width Range | Height range from bottom of shell to seat pan | Contour Depth Range |
|-------------------|----------------|---|---------------------|
| 16" | 16.4" to 16.8" | 6" to 8" | 3" to 5" |
| 18" | 18.4" to 18.8" | 6" to 8" | 3" to 5" |
| 20" | 20.4" to 20.8" | 6" to 8" | 3" to 5" |
| 22" | 22.4" to 22.8" | 6" to 8" | 3" to 5" |

Syncra™ Back Shell Height Diagram



JAY® SYNCRA™ CUSHION



JAY® Lateral Thigh Support Adjustment Range

| Syncra Cushion Width | Width Range |
|----------------------|----------------|
| 16" | 8.5" to 16.0" |
| 17" | 9.5" to 17.0" |
| 18" | 10.5" to 18.0" |
| 19" | 11.5" to 19.0" |
| 20" | 12.5" to 20.0" |
| 22" | 14.5" to 22.0" |



Q500 M with SEDEO® PRO™

\$

Base Price

Total of additional equipment

Packaging and transport

Total Price

Date

Signature

Month

Day

Year



Customer Service: (800) 263-3390
Fax: (800) 561-5834
E-mail: cscanada@sunmed.com
www.sunrisemedical.ca
Specifications are subject to change without notice.

© 2024 Sunrise Medical Canada Inc.
237 Romina Drive, Unit 3
Concord, ON
L4K 4V3

MK-129646-CAN Rev. 19