

ORDER FORM



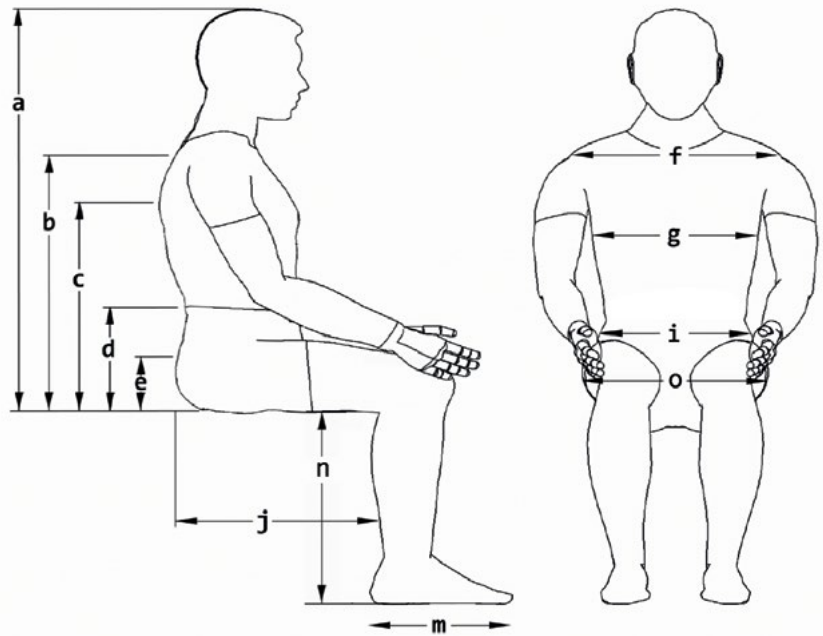
Q500M with SEDEO[®] PRO[™]
and JAY[®] Syncra[™] Seating

EIPW30

Customer		Ship To	
Account #		Name	
Date		Address	
PO#		City	
Buyer		Province	Postal Code
Mark For		Phone	

Client Measurements

a) Top of head to seat	in
b) Top of shoulder to seat	in
c) Underarm to seat	in
d) Elbow to seat	in
e) Top of leg to seat	in
f) Shoulder width	in
g) Chest width	in
i) Hip width	in
j) Actual sitting depth	in
m) Foot length	in
n) Knee to foot	in
o) Seat width	in



Notes

Chair Specifications

HCPC	K0848 / K0856 / K0861
Weights starting at: (with Batteries)	NPC: 300 lbs SPC: 324 lbs MPC: 338 lbs
Power Seating	50° of CG Tilt and Power Recline with 4" mechanical sheer reduction / 12" seat elevator
Seat Type	SEDEO® PRO™ / JAY® Syncra™
Seat Size Range	Width 16" to 22" Depth 14" to 22"
Seat-to-Floor Height Range	16.5" to 19"

Mid-Wheel Drive Base Specifications

Drive Wheel Position	Mid-wheel drive
User Weight Capacity	300 lbs.
Base Size	Width 24", Length 33"
Minimum Turning Radius	18.5" (excludes footplates)
Drive Control	R-net PM 90A / VR-2 90A
Driving Range	Up to 13.5 miles
Drive Motors	4-pole 6 mph / 10 kph
Drive Wheels	13" w/flat-free inserts (black)
Casters	7" front / 7" rear (black)
Charger	8A Dual Mode (Compact)
Battery Size	Group 34 / Group 22
Color	8 shroud colors and 6 color accents
Ground Clearance	3"

BASE			
OPTION		DESCRIPTION	RETAIL
Group 3 Standard Duty Mid Wheel Drive Base <i>End Item Number EIPW30 (PRO™ Seat)</i>			\$
300PC215		Quickie Q500 M NPC No Power Option for SEDEO® PRO™ Seat Included in Base Pricing : Q500 M Base, VR-2 90amp Electronics for No Power Seat Functions, Six-Wheel Suspension, 13" Drive Wheels with Dual Density Inserts, 7" Flat Free Casters, ISO Occupied Tie-Down Brackets and 8amp Charger. Max Speed = 6mph, Weight Capacity = 300lbs., STFH = 16.5".	\$8,274.00
300PC216		Quickie Q500 M SPC Single Power Option for SEDEO® PRO™ Seat Included in Base Pricing : Q500 M Base, VR-2 90amp Electronics for No Power Seat Functions, Six-Wheel Suspension, 13" Drive Wheels with Dual Density Inserts, 7" Flat Free Casters, ISO Occupied Tie-Down Brackets and 8amp Charger. Max Speed = 6mph, Weight Capacity = 300lbs., STFH = 16.5".	\$8,274.00
300PC217		Quickie Q500 M MPC Tilt/Recline for SEDEO® PRO™ Seat Included in Base Pricing: Q500 M Base, VR-2 90amp Electronics for No Power Seat Functions, Six-Wheel Suspension, 13" Drive Wheels with Dual Density Inserts, 7" Flat Free Casters, ISO Occupied Tie-Down Brackets and 8amp Charger. Max Speed = 6mph, Weight Capacity = 300lbs., STFH = 16.5".	\$8,274.00
User Weight			\$
300WG23		Up to 300 lbs.	NC
Motor Package			\$
300PF99		4-pole 10 kph / 6 mph <i>(Standard for Group 3 K0848, K0856, K0861)</i>	NC
Drive Wheels  P. 22			\$
300DW69		Drive Wheel, 13", Dual Density, Knobby, Black	NC
300DW58		Drive Wheel, 14", Dual Density, Knobby, Black	NC
Caster Wheels  P. 22			\$
300CW59		Caster Wheels 7", Solid, Black	NC
Shroud Color			\$
300C119		Matte Black	NC
300C165		Candy Apple Red	NC
300C166		Candy Blue	NC
300C167		Candy Purple	NC
300C176		Green Apple	NC
300C178		Pearl Pink	NC
300C182		Silver	NC
Color Accents			\$
<i>Note: Accent colors and shroud colors may not match.</i>			
300EZ20		Apple Green	NC
300EZ22		Black	NC
300EZ21		Blue	NC
300EZ23		Orange	NC
300EZ24		Red	NC
300EZ25		Silver	NC
300EZ19		White	NC

BASE

OPTION	DESCRIPTION	RETAIL
--------	-------------	--------

ISO Transit Tie Downs

\$

300T050	ISO Transit Package	NC
---------	---------------------	----

LED Lights  P. 22

\$

300LI04	LED Lights and Indicators	\$1,207.00
300LI11	LED Lights and Indicators (Available with 4 Power Seat Functions)	NC
300LI08	LED Fender Lights	\$636.00
300LI09	LED Fender Lights <i>(Available with multi-power only)</i>	NC
300LI02	Omit LED Lights	NC

Seat Heights

\$

Seat Height *Measured from front of seat pan to floor with 0° frame angle.*

300HT103	16.5"	NC
300HT55	17"	NC
300HT104	17.5"	NC
300HT56	18"	NC
300HT105	18.5"	NC
300HT57	19" <i>(Only available with Tilt or Seat Elevator.)</i>	NC

Batteries and Chargers  P. 22

\$

Group 34 Battery Options

300AG27	GP34 Flat Top Pair w/Straps MK Gel	\$941.00
300AG29	GP34 Flat Top Pair w/Straps Brightway AGM	\$850.00

Group 22 Battery

300AG31	GP22 Flat Top Pair w/Straps	\$668.00
---------	-----------------------------	----------

Omit Batteries

300AG24	Battery Harnesses Only <i>(Omit Batteries)</i>	NC
---------	--	----

Chargers

300BJ30	10A Dual Mode (Compact)	\$160.00
300BJ19	8A Dual Mode (Compact)	NC

POWERED SEATING

OPTION	DESCRIPTION	RETAIL
--------	-------------	--------

Power Seating Options  P. 22

\$

Seat Elevator

300PI07	Seat Elevator, Powered, 300 mm / 12"	\$3,426.00
300PI08	C-Me® Seat Elevator, Powered, 300 mm / 12" (C-Me speed up to 3 mph) (N/A with VR-2)	\$3,426.00

Seat Tilt

300PA48	Posterior 50° Tilt	\$8,535.00
---------	--------------------	------------

Seat Recline

300PA37	150° Powered Recline w/ 4" Shear Reduction	\$7,883.00
---------	--	------------

Seat Tilt/Recline

300PA41	Posterior 50° Tilt and 150° Recline Powered, w/ 4" Shear Reduction	\$13,079.00
---------	--	-------------

Power Recline Backrest Preset Home Angle

300QK1	90°	NC
300QK2	95° (Default Position)	NC

Pre Set Seat Frame Angle (No Power Seating Options, Increases Seat to Floor Height)

\$

300FA10	0° (Adds 0" to STFH)	NC
300FA3	3° (Adds 1" to STFH)	NC

Backrest Frame Type

\$

300BF16	Tool Angle Adjustable Back, 90°-120°	NC
300BF14	User Adjustable Manual Semi-Recline Back, 90°-130°, Right (Adjustment Lever Mounted on Opposite Side of Joystick)	\$624.00
300BF15	User Adjustable Manual Semi-Recline Back, 90°-130°, Left (Adjustment Lever Mounted on Opposite Side of Joystick)	\$624.00

Backrest Frame Option

\$

300BF13	Flip Down, Quick Release	\$176.00
---------	--------------------------	----------

Back Cushion Type

\$

300BT134	SEDEO® Back Cushion (Choose Seating in Section A)	NC
300BT138	JAY® Syncra™ (Choose Seating in Section B)	NC
300BT135	JAY® J3® (Choose Seating in Section C)	NC
300BT137	SEDEO® PRO™ Aftermarket Back Adapter (Height Adjustable Round Tubes for Traditional Mounting)	\$624.00
300BT133	OMIT (For personalized Mounting. No Headrest Mount)	NC

POWERED SEATING

OPTION	DESCRIPTION	RETAIL
--------	-------------	--------

A - SEDEO® Backrest Dimensions

\$

Back Width

300BN28	400mm / 16"	NC
300BN29	460mm / 18"	NC
300BN30	500mm / 20"	NC
300BN31	560mm / 22"	NC

Back Shell Height

		Tool Angle Adjust.	150° Recline	Installed Back Height	
300B255	460mm / 18"	22"-23"	23"-25"		NC
300B256	560mm / 22"	24"-27"	26"-29"		NC
300B257	660mm / 26"	28"-30"	30"		NC

Installed Back Height - (From Pan to Top of Back)

300JR32	22"	NC
300JR33	23"	NC
300JR34	24"	NC
300JR35	25"	NC
300JR36	26"	NC
300JR37	27"	NC
300JR38	28"	NC
300JR39	29"	NC
300JR40	30"	NC

B - JAY® Syncra™ Seating**B - JAY® Syncra™ Back**  P. 21

\$

300JP14	JAY® Syncra™ Back 16-20" Wide with 3" Contour Depth	\$1,319.00
300JP15	JAY® Syncra™ Back 22" Wide with 3" Contour Depth	\$1,319.00

B - JAY® Syncra™ Back Width

\$

Back can be ordered a different width than seat pan. Armrest will be adjusted to back width ordered.

300JQ07	16" Wide (Adjustment range 16 to 17" Wide)*	NC
300JQ08	18" Wide (Adjustment range 18 to 19" Wide)*	NC
300JQ09	20" Wide (Adjustment range 20 to 21" Wide)*	NC
300JQ10	22" Wide (Adjustment range 22 to 23" Wide)	NC

*Additional +1" of shell width adjustment is achievable. Requires purchase of 1" larger foam and upholstery separately.

B - JAY® Syncra™ Back Shell Options and Height Ranges

\$

JAY® Syncra™ Back shells are mounted with a minimim 5.5" gap between the bottom of the shell to the seat pan to accommodate the mechanical shear. Back height can be adjusted in the field with-in the ranges shown based on the back frame type.

JAY® Syncra™ Shell Height

300JR42	16" Tall Shell (22" to 24" Back Height)	NC
300JR43	18" Tall Shell (24" to 26" Back Height)	NC
300JR44	20" Tall Shell (26" to 28" Back Height)	NC
300JR45	22" Tall Shell (28" to 30" Back Height)	NC

POWERED SEATING

OPTION	DESCRIPTION	RETAIL
JAY® Syncra™ Back Installed Back Height (From Pan to Top of Back)		
300JR50	22" (16" Shell Height)	NC
300JR51	23" (16" Shell Height)	NC
300JR52	24" (16" Shell Height)	NC
300JR53	24" (18" Shell Height)	NC
300JR54	25" (18" Shell Height)	NC
300JR55	26" (18" Shell Height)	NC
300JR56	26" (20" Shell Height)	NC
300JR57	27" (20" Shell Height)	NC
300JR58	28" (20" Shell Height)	NC
300JR67	28" (22" Shell Height)	NC
300JR68	29" (22" Shell Height)	NC
300JR69	30" (22" Shell Height)	NC
B - JAY® Syncra™ Back Upholstery		\$
300BU96	Syncra™ Premium Leatherette	NC
300BU97	Syncra™ Stretch	NC
B - JAY® Syncra™ Fixed Lateral Support Accessory		\$
JAY® Fixed Lateral Support Accessory Hardware (JAY® Fixed Lateral Support is height adjustable)		
300JW33	Fixed Lateral Support Accessory (L x H) 90 mm x 140 mm / 3.5" x 8" - Right	\$317.00
300JW34	Fixed Lateral Support Accessory (L x H) 90 mm x 140 mm / 3.5" x 8" - Left	\$317.00
C - JAY® J3® Back		
C - JAY® J3® Back - Contour  P. 22		\$
300JP01	J3® PA Back for 16"-20" Wide	\$899.00
300JP02	J3® PA Back for 22" Wide	\$1,912.00
300JP11	J3® PL Back for 16"-20" Wide	\$971.00
300JP13	J3® PD Back for 16"-20" Wide (18" and 21" Shell Height Only)	\$1,052.00
C - JAY® J3® Back Width		\$
<i>Back can be ordered a different width than seat pan. Armrest will be adjusted to back width ordered.</i>		
300JQ02	16"	NC
300JQ03	18"	NC
300JQ04	20"	NC
300JQ05	22"	NC

POWERED SEATING

OPTION	DESCRIPTION	RETAIL
--------	-------------	--------

C - JAY® J3® Back Shell Options and Height Ranges

\$

JAY® J3® shells are mounted with a minimum 4" gap between the bottom of the shell to the seat pan to accommodate the mechanical shear. Back height can be adjusted in the field within the ranges shown.

JAY® J3® Shell Height

			Tool Angle Adjust.	150° Recline	Installed Back Height		
300JR41		15" tall shell (Upper Thoracic Med) for 22" Wide	22"-23"	22"-23"			NC
300JR14		16.5" tall shell (Upper Thoracic Short)	21"-23"	22"-24"			NC
300JR15		18" tall shell (Upper Thoracic Med)	22"-24"	23"-25"			NC
300JR16		19.5" tall shell (Upper Thoracic Tall)	24"-26"	24"-26"			NC
300JR18		18" tall shell (Shoulder Height) for 22" wide	24"	24"			NC
300JR17		21" tall shell (Shoulder Height)	24"-26"	25"-28"			NC
300JR27		22.5" tall shell (Shoulder Height)	26"-28"	27"-30"			NC
300JR28		24" tall shell (Shoulder Height)	27"-29"	28"-30"			NC

JAY® J3® Installed Back Height (From Pan to Top of Back)

300JR29		21"				NC
300JR19		22"				NC
300JR20		23"				NC
300JR21		24"				NC
300JR22		25"				NC
300JR23		26"				NC
300JR24		27"				NC
300JR25		28"				NC
300JR30		29"				NC
300JR31		30"				NC

C - JAY® Anterior Thoracic Support  P. 22

\$

Classic-Structure Pull Down Harness (4 point strap, only available with JAY® backrest)

300K10		Medium (ATS8302)	\$317.00
300K11		Large (ATS8303)	\$317.00



POWERED SEATING

OPTION	DESCRIPTION	RETAIL
JAY® Lateral Thoracic Swing-Away Supports (Requires Pad, Upholstery and Mount)		\$
JAY® Lateral Thoracic Support Pads		
300JW35	Lateral Thoracic (L x H) 100 mm x 127 mm / 4" x 5" Pad - Right	\$71.00
300JW38	Lateral Thoracic (L x H) 100 mm x 127 mm / 4" x 5" Pad - Left	\$71.00
300JW36	Lateral Thoracic (L x H) 100 mm x 152 mm / 4" x 6" Pad - Right	\$71.00
300JW39	Lateral Thoracic (L x H) 100 mm x 52 mm / 4" x 6" Pad - Left	\$71.00
300JW37	Lateral Thoracic (L x H) 152 mm x 100 mm / 6" x 4" Pad - Right	\$71.00
300JW40	Lateral Thoracic (L x H) 152 mm x 100 mm / 6" x 4" Pad - Left	\$71.00
JAY® Lateral Thoracic Support Pad Upholstery		
300NU01	Syncra™ Premium Leatherette	NC
300NU02	Syncra™ Stretch	NC
JAY® Lateral Thoracic Swing-Away Mount		
300JW41	Lateral Thoracic Swing Away Bracket - Right	\$317.00
300JW42	Lateral Thoracic Swing Away Bracket - Left	\$317.00
Headrests (Requires Pad, Upholstery, & Mount)  P. 24		\$
Headrest Pad		
300HE36	SEDEO® Pad Small with Cover (LxH) 240 x 150 mm / 10" x 6" <i>Can only be used with Multi Position Headrest Mount with quick-release and SEDEO® upholstery</i>	\$224.00
300HE38	Whitmyer® Plush Headrest Pad 203 mm / 8"	\$371.00
300HE39	Whitmyer® Plush Headrest Pad 254 mm / 10"	\$371.00
300HE44	Whitmyer® Plush Headrest Pad 356 mm / 14"	\$371.00
300HE46	Whitmyer® Adjust-A-Plush Headrest Pad Medium <i>(Adjustable 7" to 16" Wide x 4" Tall)</i>	\$438.00
300HE48	OMIT Headrest Pad	NC
Headrest Pad Upholstery		
300NU10	SEDEO® Upholstery	NC
300NU04	Syncra™ Premium Leatherette	NC
300NU11	Whitmyer® Lycra / Stretch	NC
Headrest Mount		
300MH32	SEDEO® Multi-Position Headrest Mount with Quick Release <i>(Only available with SEDEO® Pad)</i>	\$549.00
300MH33	Whitmyer® Linx Headrest Mount with Quick Release	\$243.00
300MH34	Whitmyer® Linx-2 Headrest Mount with Quick Release	\$294.00
300MH35	Whitmyer® AXYS Headrest Mount with Quick Release	\$243.00
300MH17	OMIT Headrest Mount	NC

POWERED SEATING

OPTION	DESCRIPTION	RETAIL
Push Handles \$		
300PH27	Height Adjustable Push Handles	\$60.00
Seat Frame Rails \$		
300SN14	Seat Rail Short, for Effective Seat Depth 14" - 18"	\$794.00
300SN15	Seat Rail Long, for Effective Seat Depth 17" - 22"	\$794.00
Seat Cushion Type \$		
300ST79	SEDEO® (See Section D)	NC
300ST81	JAY® Syncra™ (See Section E)	NC
300ST80	JAY® (See Section F)	NC
300ST75	Omit	NC
Seat Size \$		
Seat Pan Width (Odd sizes not available on SEDEO® cushions)		
300R53	16"	NC
300R54	17"	NC
300R55	18"	NC
300R56	19"	NC
300R57	20"	NC
300R58	21" (Not available with JAY® Syncra™ Cushions)	NC
300R59	22"	NC
Seat Pan Depth (Front of seat pan to front of back cushion – effective depth)		
300RF52	14"	NC
300RF53	15"	NC
300RF51	16"	NC
300RF45	17"	NC
300RF46	18"	NC
300RF47	19"	NC
300RF48	20"	NC
300RF49	21" (Not available with JAY® Syncra™ Cushions)	NC
300RF50	22"	NC
D - SEDEO® Cushions  P. 22 \$		
300CU82	SEDEO® Cushion (Sizes 16", 18", & 20" Wide) (Not available with 14" depth)	\$421.00
300CU83	SEDEO® Cushion (Sizes 22" Wide)	\$529.00

POWERED SEATING

OPTION	DESCRIPTION	RETAIL
E - JAY® Syncra™ Cushion  P. 21 (JAY Your Way modifications available through Customer Service (800) 333-4000) \$		
300CU89	JAY® Syncra™ Cushion featuring JAY Flow® Fluid with Cryo™ Technology (16" to 20" wide)	\$1,002.00
300CU90	JAY® Syncra™ Cushion featuring JAY Flow® Fluid with Cryo™ Technology (22" wide)	\$1,108.00
JAY® Syncra™ Cushion Cover Upholstery		
300YR73	Syncra™ Premium Leatherette	NC
300YR74	Syncra™ Stretch	NC
F - JAY® Seat Cushion  P. 23 \$		
300CU59	JAY® Ion® (Sizes 16" to 21" Wide)	\$498.00
300CU60	JAY® Ion® (Size 22" Wide)	\$688.00
300CU61	JAY® Union® (Sizes 16" to 21" Wide)	\$753.00
300CU62	JAY® Union® (Size 22" Wide)	\$794.00
300CU64	JAY® Fusion® (Sizes 16" to 21" Wide)	\$1,030.00
300CU65	JAY® Fusion® (Size 22" Wide)	\$1,155.00
F - JAY® Solid Seat \$		
300CU84	JAY® Solid Seat	\$343.00

POSITIONING SUPPORTS & ACCESSORIES

OPTION	DESCRIPTION	RETAIL
Knee and Thigh Swing-Away Support Pads		\$
Lateral Knee Support Pads and Hardware (must pick pad and mount)		
300XY05	Lateral Knee Support Pad, Right (4" round)	\$243.00
300XY06	Lateral Knee Support Pad, Left (4" round)	\$243.00
300XX08	Lateral Swing-Away Bracket Knee - Right	\$320.00
300XX09	Lateral Swing-Away Bracket Knee - Left	\$320.00
Lateral Thigh Support Pads and Hardware (must pick pad and mount)		
300KF22	Lateral Thigh Support Pad Short - Right (4.8" H x 4.8" L / 120mm x 120mm)	\$144.00
300KF23	Lateral Thigh Support Pad Short - Left (4.8" H x 4.8" L / 120mm x 120mm)	\$144.00
300KF24	Lateral Thigh Support Pad Long - Right (4.8" H x 7" L / 120mm x 120mm)	\$144.00
300KF25	Lateral Thigh Support Pad, Long - Left (4.8" H x 7" L / 120mm x 120mm)	\$144.00
300KF26	Lateral Thigh Removable Mount - Right	\$320.00
300KF27	Lateral Thigh Removable Mount - Left	\$320.00
JAY® Lateral Thigh Supports (Must pick pad, upholstery, and mount)		\$
JAY® Lateral Thigh Support Pads		
300KF16	Lateral Thigh Support Pad Standard, Right (8.25" x 3.25")	\$150.00
300KF17	Lateral Thigh Support Pad Standard, Left (8.25" x 3.25")	\$150.00
300KF18	Lateral Thigh Support Pad Large, Right (12" x 3.25")	\$150.00
300KF19	Lateral Thigh Support Pad Large, Left (12" x 3.25")	\$150.00
JAY® Lateral Thigh Support Pad Upholstery		
300NU07	Syncra™ Premium Leatherette	NC
300NU08	Syncra™ Stretch	NC
JAY® Lateral Thigh Removable Mount		
300KF20	Lateral Thigh Removable Mount - Right	\$320.00
300KF21	Lateral Thigh Removable Mount - Left	\$320.00
Armrest Structure  P. 23		\$
300EG35	Reclining, Flip Back, Long (Height Adjustable 9" to 15")	NC
300EG41	Reclining, Flip Back, Short (Best used with shorter seat depths) (Height Adjustable 9" to 15")	NC
300EG36	Reclining, Flip Back with 2-point post locking arm. (Height Adjustable 11" to 15" x 0.625")	\$346.00
300EG32	Single Post, Flip Back (N/A with thigh support) (Height Adjustable 10" to 15")	NC
Arm Pads  P. 23		\$
SEDEO® Armrest Pad		
300AB43	300 mm / 12", Integral Foam, Right	NC
300AE43	300 mm / 12", Integral Foam, Left	NC
300AB44	400 mm / 16", Integral Foam, Right	NC
300AE44	400 mm / 16", Integral Foam, Left	NC
Comfort Arm Pad (Foam)		
300AB46	2" Wide Right	\$111.00
300AE46	2" Wide Left	\$111.00

POSITIONING SUPPORTS & ACCESSORIES

OPTION	DESCRIPTION	RETAIL
Comfort Arm Pad (Gel)		
300AB48	2" Wide Right	\$210.00
300AE48	2" Wide Left	\$210.00
Ottobock® Arm Troughs		
300AE06	Ottobock Arm Trough, Med Left	\$137.00
300AB06	Ottobock Arm Trough, Med Right	\$137.00
300AE07	Ottobock Arm Trough, Large Left	\$137.00
300AB07	Ottobock Arm Trough, Large Right	\$137.00
300OL01	Ottobock Hand Pad, Med Left	\$69.00
300OR01	Ottobock Hand Pad, Med Right	\$69.00
300OL02	Ottobock Hand Pad, Large Left	\$69.00
300OR02	Ottobock Hand Pad, Large Right	\$69.00
300AE78	Ottobock One Piece Arm Trough, Left	\$195.00
300AB78	Ottobock One Piece Arm Trough, Right	\$195.00
Side Guards (Pair) \$		
300SG44	Side Guards Integral Foam (11"L x 5.5"H) (N/A with Reclining Armrests)	\$351.00
Fixed Centermount Legrest \$		
300H183	SEDEO® Seating Fixed Centermount Legrest (3" to 17.5" Leg Length)	\$346.00
300H184	Fixed Centermount Legrest, Short (Includes Calf Pads and Single Footplate) (11.5" to 14.5" Leg Length)	NC
300H185	Fixed Centermount Legrest, Long (Includes Calf Pads and Single Footplate) (13.5" to 18.5" Leg Length)	NC
Power Centermount Legrest  P. 23 \$		
300H175	Power Centermount Legrest, 90° - 0° Angle, 7.5" Extension (Mechanical Articulation) (5" to 17.5" Leg Length)	\$2,450.00
300H109	Power Centermount Legrest, 90° - 0° Angle, 7.5" Extension (Powered Articulation) (3" to 17.5" Leg Length)	\$3,384.00
Centermount Legrest Accessories \$		
Footplates		
300F127	Dual, Height, Width and Angle Adjustable, Standard (14"W x 10"D)	\$280.00
300F128	Dual, Height, Width and Angle Adjustable, Large (16"W x 12"D)	\$280.00
Footplate Accessories		
300DI68	Extra Large Centermount Footplate	\$310.00
300DI69	Footplate Connector Link (Available with Sedeo Fixed Centermount)	\$95.00
300DI57	Gel Footpads	\$395.00
Calf Pad Options		
300DI34	Calf Pads, Pair, Standard Integral Foam	NC
300DI35	Calf Pads, Pair, Padded (N/A w/ Std footplate)	\$351.00

SEDEO® PRO™ Swing-Away Legrest (Pair) (Footplates, calf supports & options must be selected separately.) \$

300H177		Legrests, Swing-Away, 70°, SEDEO® PRO™ (14" to 21" Leg Length)	NC
300H178		Legrests, Manual Elevating, Swing-Away, SEDEO® PRO™ (Includes Padded Calf Pads) (14.5" to 21.5" Leg Length)	\$374.00
300H179		Legrests, Power Elevating, Swing-Away, SEDEO® PRO™ (Includes Padded Calf Pads) (15.5" to 22.5" Leg Length)	\$3,384.00
300DI76		Omit Legrests	NC

POSITIONING SUPPORTS & ACCESSORIES

OPTION		DESCRIPTION	RETAIL
--------	--	-------------	--------

Swing-Away Legrest Footplates

300F369		Angle Adjustable Flip-Up Footplates	\$280.00
---------	--	-------------------------------------	----------

Swing-Away Legrest Calf Supports

300DI42		Calf Support, Depth Adjustable, Padded (6.5" to 8" Wide, depending on chair width, x 9.5" Tall)	\$504.00
---------	--	---	----------

Swing-Away Legrest Options

300DI44		Heel Loops	NC
300KG4		Knee Pads, Integral Foam (2.5" Wide x 4.5" Tall)	\$278.00

SEDEO® Lower Extremity Swing-Away Support

300VD01		Lower Extremity Support, Padded, Swing-Away, SEDEO®, Right	\$504.00
300VD02		Lower Extremity Support, Padded, Swing-Away, SEDEO®, Left	\$504.00

Pelvic Positioning Belts  P. 23

300A837		Positioning Belt, Auto Style Buckle, 50 mm 1600 mm / 2"	NC
300A839		Positioning Belt, Aircraft Buckle, 50 mm x 1300 mm / 2"	NC
300A840		Positioning Belt, Aircraft Buckle, Padded 50 mm x 1300 mm / 2"	\$101.00
300A845		Bodypoint – Evoflex Pelvic Stabilizer Belt	\$213.00
300A846		Bodypoint – Evoflex Pelvic Stabilizer Belt with Extension	\$267.00

Accessories

\$

Ventilator Option

300VT12		Vent Tray Fixed (Pulmonetic LTV Models)	\$600.00
---------	--	---	----------

O2 Tank Option

300A718		O2 Tank Holder Mounted to Backrest (D and E Styles)	\$385.00
---------	--	---	----------

Wheelchair Tray Table

3007A09		Tray, Swing-Away	\$375.00
---------	--	------------------	----------

Backpack

300A1		Black Utility	\$110.00
-------	--	---------------	----------

Medial Thigh Support

3008A80		Medial Thigh Support	\$267.00
3008A81		Pommel Swing-Away Hardware	\$384.00

Misc. Accessories

3008A59		Transfer Bar (<i>Pair</i>)	\$486.00
3008A52		Ram Mount Phone	\$76.00
3008A53		Ram Mount Tablet	\$303.00
3008A54		Ram Mount Cup Holder	\$76.00
3008A58		Rear View Mirror	\$76.00
300A611		Crutch Holder	\$133.00
3008A73		Bag For Armrest	\$76.00
3008A75		Reflectors (<i>Backrest shroud mounted</i>)	\$76.00
3009A10		Utility Hooks	\$57.00

JOYSTICK / ELECTRONICS**VR-2 Joystick** \$

300J127		VR-2 Joystick	NC
---------	--	---------------	----

R-net Joystick (*Remote*)  P. 24 \$

300J121		Standard LED Joystick (<i>w/o Screen Display</i>)	NC
300J116		Color Joystick (<i>2.3" Color LCD Screen Display, CJSM1</i>)	NC
300J118		High Resolution Color Joystick, (CJSM2+BT) <i>3.5" Color LCD Display, Paddle Switches, Programmable Shortcut Keys, ICONs, Stereo Jack, IR and dual (IOS/Android) Bluetooth control</i>	\$1,245.00
300J119		Omit Remote Control (<i>Required with arm mounted specialty controls</i>)	NC

Joystick Mounting \$

300JM34		Fixed on Armrest	NC
300JM35		Parallel Swing-Away	\$440.00
300JM36		Link-It Mid Line Mount on Armrest (<i>Swing-Away</i>)	\$440.00
300JM49		Attendant (Available with LED or CJSM1 only, Mounted to Push Handles)	NC

Joystick Mount (Location) \$

300HM16		Right Hand Armrest	NC
300HM17		Left Hand Armrest	NC

Display Language Selection R-net \$

300L1		English	NC
300L3		French	NC
300L7		Spanish	NC

Joystick Handle (Optional)  P. 24 \$

300JH13		Ball Handle	\$108.00
300JH15		T-Handle	\$108.00
300JH24		Bodypoint – Rubber Dome Joystick Handle	\$213.00
300JH25		Bodypoint – U-Shaped Joystick Handle (<i>4 in</i>)	\$213.00
300JH26		Bodypoint – Grooved Mushroom Joystick Handle	\$213.00

Electronic Programmers  P. 25				\$
300PR13		R-net PC Wireless Programmer		\$650.00
R-net Power Modules  P. 25				\$
300ER12		Power Module, VR-2 90A, Non-Expandable		NC
300ER22		Power Module, R-net, 90A, Non-Expandable <i>(Only available with single power)</i>		NC
300ER13		Power Module, R-net, 90A, Expandable <i>(Required for Specialty Controls or 2+ Actuators)</i>		NC
300EX11		Expandable 90A Controller - R-net		NC
300EX12		Harness for 90A Expandable Controller		NC
JOYSTICK / ELECTRONICS				
OPTION		DESCRIPTION		RETAIL
Seating Control				\$
Powered Seating Control				
300E040		Omit Thru-Drive <i>(Requires Switch Control)</i>		NC
300E037		Thru-drive Control for 1 Actuator		\$1,422.00
300E038		Thru-drive Control for 2+ Actuators		\$2,860.00
Switch Control <i>(Available with Omit Thru-Drive only) (1 Actuator for Tilt or Elevate only)</i>				
300E033		Dual Toggle for 1 Actuator		NC
300E034		2.5" Single Button Switch for 1 Actuator		NC
300E041		Ctrl+5 Switch Box for 2 Actuators or more		NC
Additional Power Seating Control <i>(Available with Thru-Drive only)</i>				
300QG11		Ctrl+5 Switch Box with Free Assignable Functions		\$1,062.00
300QG12		Ctrl+5 Switch Box with Free Assignable Functions <i>(Multi-power only)</i>		NC
Dual Toggle Mounting Location				
300TN1		Toggle Mount, Right		NC
300TN2		Toggle Mount, Left		NC
Ctrl+5 Mounting location				
300EY19		Right Armrest		NC
300EY20		Left Armrest		NC
300EY21		Back Cane, Right		NC
300EY24		Back Cane, Left		NC
Ctrl+5 Switch Type  P. 25				
300EY22		Push Buttons		NC
300EY23		Toggle Switches		\$351.00

Attendant Controls  P. 25			\$
3000A05		Dual Control Module for Attendant	\$1,207.00
3000A06		R-net Color LCD (CJSM1), Control Attendant Only	\$1,207.00

Attendant Mounting Location			\$
300DN5		Right Back Cane	NC
300DN6		Left Back Cane	NC

JOYSTICK / ELECTRONICS

OPTION		DESCRIPTION	RETAIL
--------	--	-------------	--------

R-net Programming \$

Assignable Buttons

Assignable Button feature allows for personalization of joystick buttons and/or Ctrl+5 Switches allowing access to various wheelchair and seating functions. When enabled, chair will be pre-programmed with seating functions assigned to buttons on the joystick. Assignments can be changed via PC Dongle.

300PM12		Include Assignable Buttons	NC
---------	--	----------------------------	----

Power Centermount Footplate Extension Option

300IE03		Include 7.5" Powered Footplate Extension for Transfer Assist <i>(Electronics programmed to allow footplates to be extended with or without legrest being raised.) Only Available with Powered Articulation</i>	\$583.00
---------	--	--	----------

R-net Omni2 Options P. 25 *For Expandable Controls, choose all that apply.* \$

3000N14		R-net Omni2 Only Input Control Module and 3.5" LCD Display w/ Built-In Infrared and Bluetooth® Choose Mount Below	\$2,349.00
3000N15		R-net Omni2 Bundled Input Control Module and 3.5" LCD Display w/ Built-In Infrared and Bluetooth® Bundled Omni2 Available w/ Switch-It Input Devices	NC

Omni2 Mount *If used w/ Standard Joystick, it must be mounted opposite side.* \$

300DS14		Link-It with Parallel Swing-Away Omni2 Mount w/Rear Mounted Interface, Right	\$688.00
300DS15		Link-It with Parallel Swing-Away Omni2 Mount w/Rear Mounted Interface, Left	\$688.00

SPECIALTY INPUT DEVICES

OPTION	DESCRIPTION	RETAIL
--------	-------------	--------

Hand Control Packages  P. 25 *Requires Standard Joystick Omit / Only one hand control device can be ordered.* \$

Proportional Input Devices

300EU14	Switch-It MicroGuide	\$4,574.00
300EU17	Switch-It VersaGuide	\$2,519.00
300EU18	Switch-It VersaGuide EZ	\$2,978.00

Mounting Position (Required)

300EM04	Link-It to the Backrest <i>(Not Available w/ Omit Back Cushion Type)</i>	\$1,318.00
300EM05	Link-It to the Fixed Joystick Mount	\$410.00
300EM06	Link-It to the Parallel Swing-Away Joystick Mount	\$410.00
300EM07	Link-It to the Midline Swing-Away	\$1,458.00
300EM08	Omit Mount	NC

Mounting Platforms (Optional) *Not available w/ Link-It to Backrest*

300MG16	SunDisk Hand Tray <i>(Only available w/ MicroSeries Joysticks)</i>	\$410.00
300MG15	Bullet Hand Tray	\$410.00

Mounting Location (Required)

300IM09	Right	NC
300IM10	Left	NC

Switch Options

–	See Switch Selections <i>(Maximum 2)</i>	–
---	--	---

Head Control Packages  P. 26 *(Select headrest mount on next page)* \$

Only one head control device can be ordered.

Proportional Input Devices

300EU25	Switch-It DualPro® Proportional Head Array - Facial Pads	\$6,953.00
300EU26	Switch-It DualPro® Proportional Head Array - Spot Pads	\$6,953.00
300EU51	Switch-It Vigo Head Drive	\$6,200.00

Switched Input Devices

300EU28	Switch-It 3-Switch Head Array - Short Curved Wings	\$6,063.00
300EU30	Switch-It 3-Switch Head Array - Long Curved Wings	\$6,063.00

Switch Options

–	See Switch Selections <i>(Maximum 2)</i>	–
---	--	---

SPECIALTY INPUT DEVICES

OPTION	DESCRIPTION	RETAIL
Sip 'N Puff \$		
300ID73	Switch-It Sip 'N Puff Combo Head Array with Link-It Hardware <i>(Requires headrest mount)</i>	\$6,933.00
300ID74	Switch-It OptiStop with Sip 'N Puff	\$2,700.00
Headrest Mounts <i>(Applies to Head/Sip 'N Puff control packages)</i> \$		
300IJ13	Whitmyer® Linx Headrest Mount with Quick Release	\$243.00
300IJ14	Whitmyer® Linx-2 Headrest Mount with Quick Release	\$294.00
300IJ15	Whitmyer® AXYS Headrest Mount with Quick Release	\$243.00
Chin Control Packages  P. 26 \$		
Proportional Input Devices		
300EU34	Switch-It MicroGuide <i>(Switches mounted to the headrest only.)</i>	\$4,574.00
300EU36	Switch-It VersaGuide	\$2,519.00
300EU37	Switch-It VersaGuide EZ	\$2,978.00
Mounting Position		
300EM09	Link-It To Chin Harness, Small (150mm / 6")	\$1,734.00
300EM10	Link-It To Chin Harness, Large (220mm / 8")	\$1,734.00
300EM11	Link-It To Headrest, Swing-Away	\$1,734.00
300EM16	Omit Mount	NC
Input Device Mounting Location		
300IM13	Right	NC
300IM14	Left	NC
Switch Options		
–	See Switch Selections	–
Safety Devices \$		
300SA06	Switch-It Remote Stop Switch - XLR Connector	\$1,298.00
Switched Driving Packages \$		
300SW44	Switch-It™ Cool Cube with DB9 connector for proximity/proportional switch driving. <i>(Pro Spot proportional switches are required if proportional driving is desired.) (For non-proportional driving, single switches can be used.)</i>	\$3,736.00

SPECIALTY INPUT DEVICES

OPTION	HCPC	DESCRIPTION	RETAIL
--------	------	-------------	--------

Switches  P. 26

Single switches can be programmed to activate any function of the wheelchair including: On/Off, Mode, Profile, Speeds, Seating, Memory Positions, Horn, Lights & Indicators, IR functions, Bluetooth mouse clicks, Environmental Controls when plugged into assignable port.

Switches can connect via: Joysticks (Standard, Micro series, Versa series) Omni2, SJX6 Hub, head controls

Switch ordering instructions:

1. Select switch type and quantity in Section "A" using columns below. (Max 6 switches. See limitations below.)
2. Select switch mounting position from Section "B" using corresponding switch column.
3. Select switch mounting location from Section "C" using corresponding switch column.

Section A – Switch Selections

Switch / Quantity

Single Function Switches - Mechanical Switches	Switch 1	Switch 2	Switch 3	Switch 4	Switch 5	Switch 6	\$
2.5" Single Switch - Black							\$108.00
2.5" Single Switch - Blue							\$108.00
2.5" Single Switch - Green							\$108.00
2.5" Single Switch - Red							\$108.00
2.5" Single Switch - Yellow							\$108.00
Egg Switch - Black							\$108.00
Egg Switch - Blue							\$108.00
Egg Switch - Green							\$108.00
Egg Switch - Red							\$108.00
Egg Switch - Yellow							\$108.00
MicroLite <i>(Includes color labels)</i>							\$113.00
Mini Button 1 - Blue <i>(Velcro)</i>							\$303.00
Mini Button 1 - Green <i>(Velcro)</i>							\$303.00
Mini Button 1 - Red <i>(Velcro)</i>							\$303.00
1" Single Switch - Black							\$382.00
1" Single Switch - Blue							\$382.00
1" Single Switch - Green							\$382.00
1" Single Switch - Orange							\$382.00
1" Single Switch - Red							\$382.00
1" Single Switch - Yellow							\$382.00
Electronic Switches							
Flex Switch (Headrest mount only)							\$534.00
ProSpot - Proportional Switches							
ProSpot Proportional Switch - Red							\$534.00
ProSpot Proportional Switch - Green							\$534.00
ProSpot Proportional Switch - Blue							\$534.00
ProSpot Proportional Switch - Yellow							\$534.00
ProSpot Proportional Switch - Orange							\$534.00

Section B – Switch Mounting Position

Link-It to the Backrest <i>(Up to 1 per side)</i>							\$1,388.00
Link-It to the Headrest - Gooseneck & Rigid <i>(Up to 2 per side)</i>							\$1,734.00
Link-It to the Fixed Joystick Mount <i>(Up to 2 per side)</i>							\$410.00
Link-It to the Parallel Swing-Away Joystick Mount <i>(Up to 2 per side)</i>							\$410.00
Link-It to the Seat Rail <i>(Up to 2 per side)</i> <i>(Not avail w/knee & thigh supports)</i>							\$548.00
Omit Mount <i>(includes Velcro)</i>							NC

Section C – Switch Mounting Location

Right side of chair							NC
Left side of chair							NC

Joystick Integrated Switches (Pair)

300J003	–	Proximity Switches on Flex Mount, Pair <i>(Used with VersaGuide/VersaGuide EZ)</i>					\$1,382.00
---------	---	--	--	--	--	--	------------

JAY® SYNCRA™ SEATING MEASURING GUIDE

JAY® SYNCRA™ BACK



Backrest Width	16"	18"	20"	22"
Max User Trunk Width	13.5"	15.5"	17.5"	19.5"

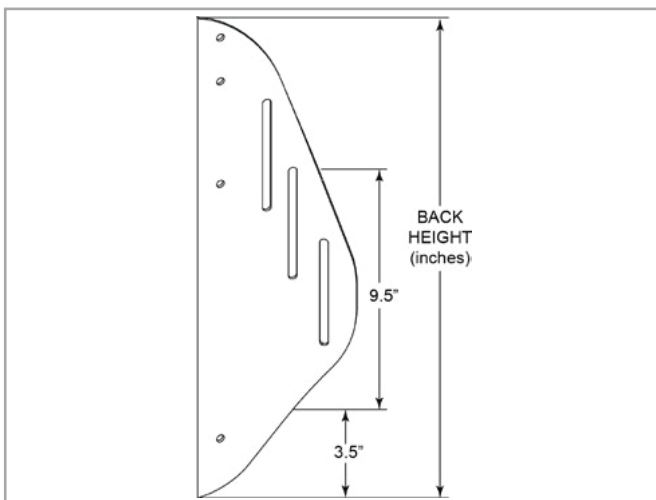
JAY® Swing-Away Lateral Thoracic Adjustment Range

Syncra Back Width	Width Range	Height range from bottom of shell to seat pan
16"	10" to 24"	12" to 19.5"
18"	12" to 26"	12.5" to 21.5"
20"	14" to 28"	12.5" to 22"
22"	16" to 30"	13.5" to 23"

Syncra™ Fixed Lateral Support Accessory Range

Syncra Back Width	Width Range	Height range from bottom of shell to seat pan	Contour Depth Range
16"	16.4" to 16.8"	6" to 8"	3" to 5"
18"	18.4" to 18.8"	6" to 8"	3" to 5"
20"	20.4" to 20.8"	6" to 8"	3" to 5"
22"	22.4" to 22.8"	6" to 8"	3" to 5"

Syncra™ Back Shell Height Diagram



JAY® SYNCRA™ CUSHION



JAY® Lateral Thigh Support Adjustment Range

Syncra Cushion Width	Width Range
16"	8.5" to 16.0"
17"	9.5" to 17.0"
18"	10.5" to 18.0"
19"	11.5" to 19.0"
20"	12.5" to 20.0"
22"	14.5" to 22.0"



Q500 M with SEDEO® PRO™

\$

Base Price

Total of additional equipment

Packaging and transport

Total Price

Date

Signature

Month

Day

Year



Customer Service: (800) 263-3390
Fax: (800) 561-5834
E-mail: cscanada@sunmed.com
www.sunrisemedical.ca
Specifications are subject to change without notice.

© 2024 Sunrise Medical Canada Inc.
1000 Creditstone Road, Unit 2
Concord, ON L4K 4P8
MK-129646-CAN Rev. 20