



KIDKART Xpress

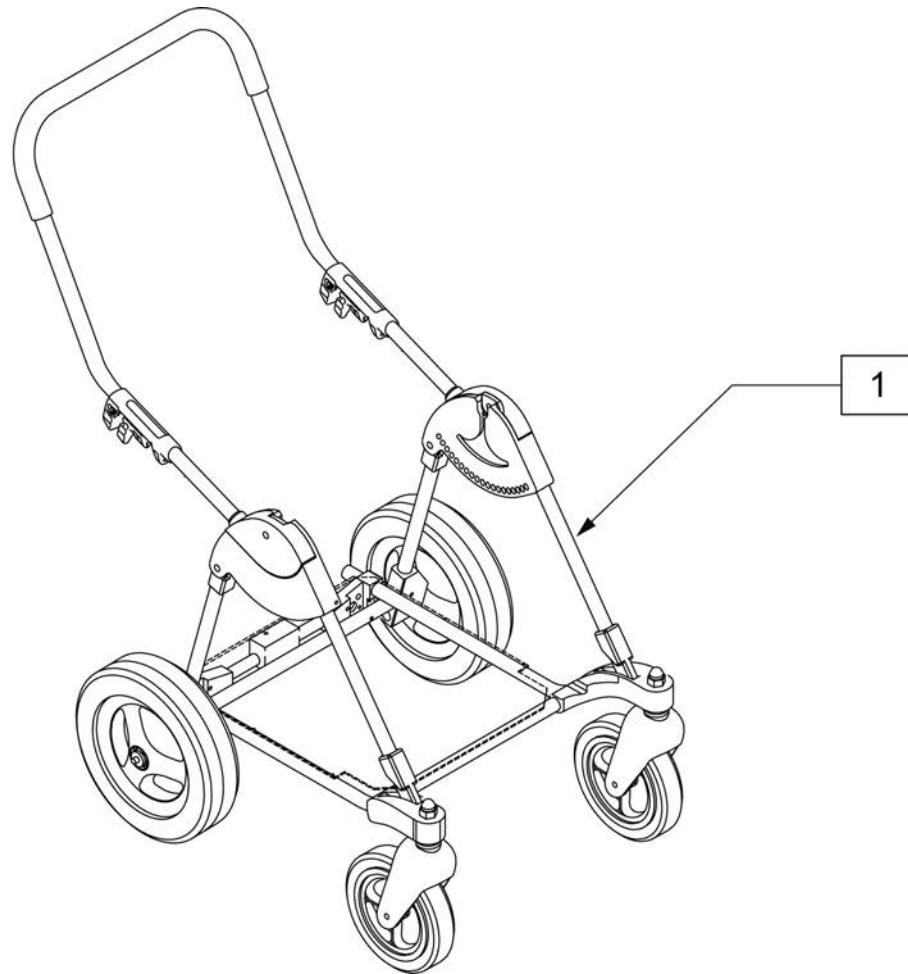
PARTS MANUAL

JANUARY 2014

Product	1
KID-KART XPRESS	4
BASE	4
MOBILITY BASE	4
STANDARD BASE FRAME	4
FRAME AND PUSH HANDLE DISCONTINUED	5
FRAME AND PUSH HANDLE	6
FOLD RELEASE MECHANISM DISCONTINUED	8
FOLD RELEASE MECHANISM	9
MOBASE ANTI-TIP	10
WHEEL LOCK	11
WHEEL / CASTER ASSEMBLY	12
VENT BASE	12
VENT BASE FRAME	13
WHEEL LOCKS	15
VENT WHEELS / CASTER ASSEMBLIES	16
STROLLER HANDLE	17
VENT ANTI-TIPS	19
SEATING & POSITIONING	19
SEATING SHELL	19
SEATING SHELL	20
SEATING SHELL DISCONTINUED	22
INSIDE BACK/SHELL	23
INSIDE BACK/SHELL DISCONTINUED	24
REAR SHELL ATTACHMENTS	25
REPLACEMENT HANDLE/CABLE ASSEMBLY TILT & TILT/RELCINE	26
MECH-LOCK ASSEMBLY FOR RECLINE OPTION	27
TILT-IN-SPACE SEAT PAN	28
ADJUSTABLE FOOTBED ASSEMBLY	30
ARMREST (UPPER EXTREMITY TRAY SUPPORTS)	32
UPHOSTERY PACKAGE	33
SUNSHADE	36
POSITIONING BELTS	38
TRANSIT HARNESS	39
BACK PADS	39
T-BACK 1"	40
T-BACK 2 1/2"	41
SEAT CUSHION	41
STANDARD SEAT CUSHION-w/outLateral Hip Support	42
STANDARD SEAT CUSHION-with Lateral Hip Support	44
CONTOUR ADJ SEAT CUSHION	46
HEADRESTS	47
PLANAR HEAD SUPPORT	48
TRI-WING HEAD SUPPORT	49
MICRO ADJUST HEAD SUPPORT	51
WHITMYER HEAD SUPPORT	53
SUPPORT	53
KNEE ADDUCTOR PACKAGE	54
HIP ADDUCTOR PACKAGE	56
SWING-AWAY LATERAL TRUNK SUPPORT	58
SWING-AWAY LATERAL TRUNK SUPPORT DISCONTINUED	60
NON-SWING-AWAY (FIXED)LATERAL TRUNK SUPPORT	62
NON-SWING-AWAY (FIXED)LATERAL TRUNK SUPPORT DISCONTINUED	63
ANTERIOR TRUNK SUPPORT	65
ABDUCTOR BLOCK	66
ACCESSORIES	68
FIXED HEIGHT FEEDER BASE	68
BOOSTER BASE	70
BOOSTER BASE - TOP	70
BOOSTER BASE - BOTTOM	71
SPICA PLATFORM (Discontinued)	72
ADJUSTMENT TOOLS	73
SHOE HOLDER ASSEMBLY	74
UPPER EXTREMITY SUPPORT TRAY - XPRESS	75
VENT TRAYS	75
VENT AND BATTERY TRAY	76
TBIRD VENT TRAY & BATTERY TRAY	77
O2 AND IV HOLDERS	78
O2 HOLDER	79
IV POLE ASSEMBLY W/BASE	80

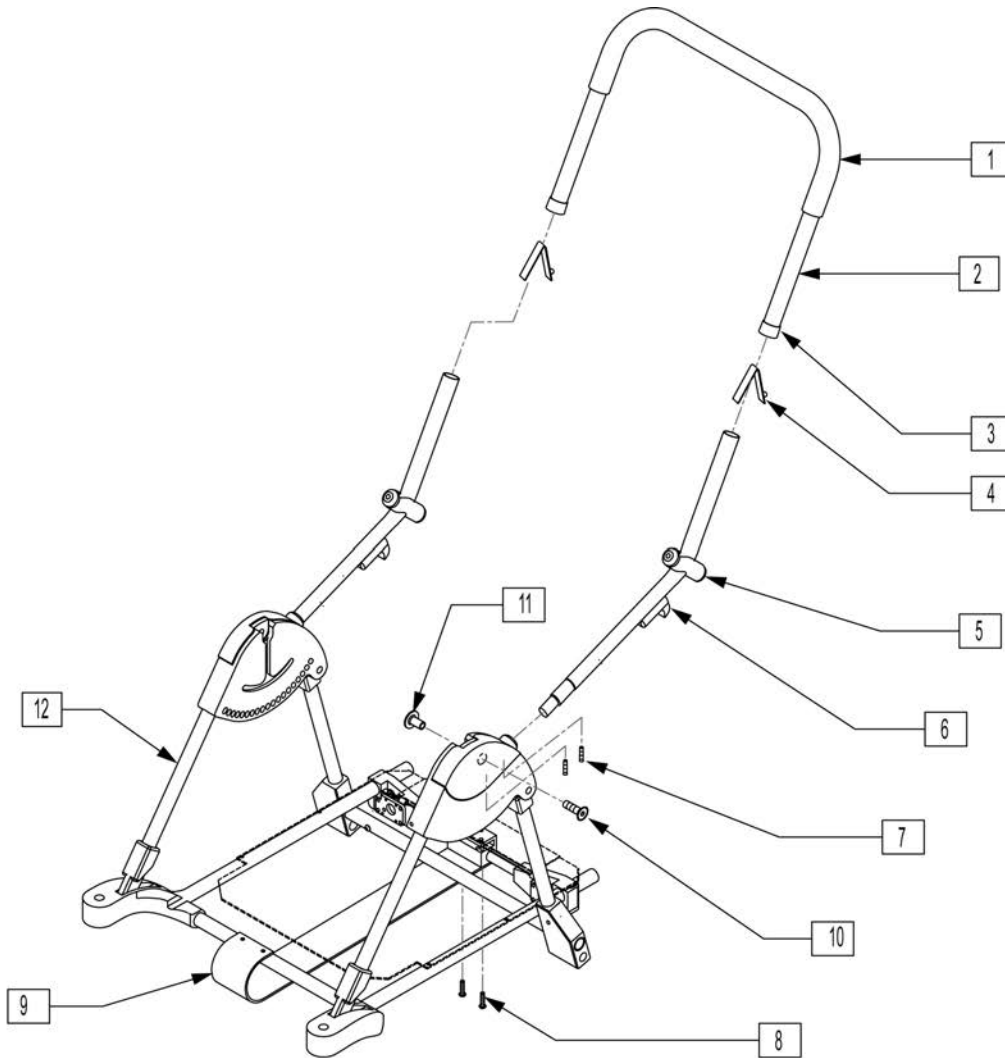
O2 HOLDER AND IV ASSEMBLY	81
TIRE PUMP	82
RAINCAPE	83

Note: Purple, Pink & Black colors discontinued as of Sept 2011, available as replacement parts only.



Pos.	Item Number	Description	Pos.	Item Number	Description
1	9140893151	10 SEMIPNEU w/7 CASTER PURPLE	1	102731	12" AIRLESS w/ 7" CASTER - SILVER
1	9140893171	10 SEMIPNEU w/ 7 CASTER PINK	1	102726	12 AIRLESS w/ 7 CASTER BLACK
1	102729	10" SEMI-PNEU w/ 7" CASTER - SILVER	1	9140892151	14 PNEU w/8 CASTER PURPLE
1	102724	10 SEMIPNEU w/ 7 CASTER BLACK	1	9140892171	14 PNEUMATIC w/ 8 CASTER PINK
1	9140891151	12 PNEU w/7 CASTER PURPLE	1	102732	14" PNEUMATIC w/ 8" CASTER - SILVER
1	9140891171	12 PNEUMATIC w/ 7 CASTER PINK	1	102727	14 PNEU w/8 CASTER BLACK
1	102730	12" PNEUMATIC w/ 7" CASTER - SILVER	1	9140892152	14 AIRLESS w/ 8 CASTER PURPLE
1	102725	12 PNEU w/7 CASTER BLACK	1	9140892172	14 AIRLESS w/ 8 CASTER PINK
1	9140891152	12 AIRLESS w/ 7 CASTER PURPLE	1	102733	14" AIRLESS w/ 8" CASTER - SILVER
1	9140891172	12 AIRLESS w/ 7 CASTER PINK	1	102728	14 AIRLESS w/ 8 CASTER BLACK

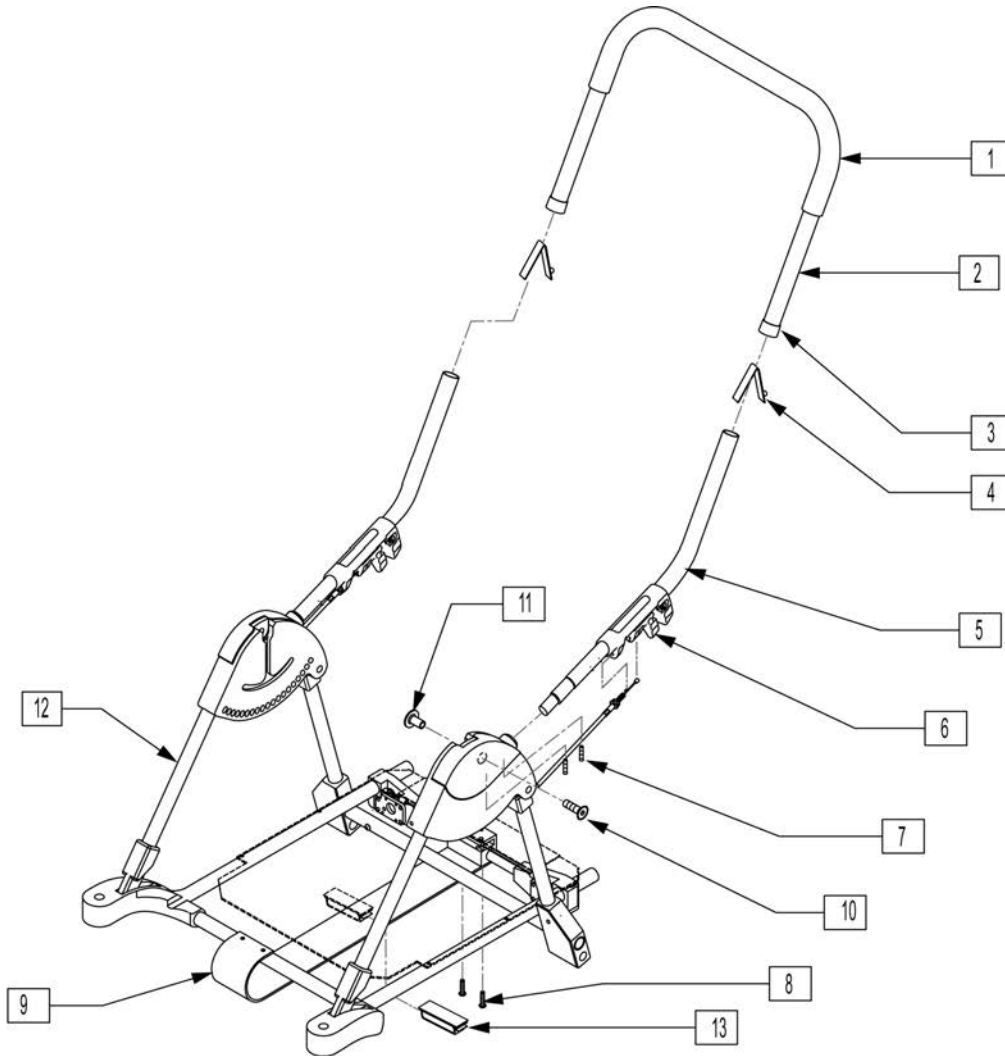
NOTE: Effective for models prior to May 2007, having a S/N without a letter at the end... e.g. xxxxxx07117.



Pos.	Item Number	Description	Pos.	Item Number	Description
1	9394107501	GRIP HANDLE - 3/4" x 21" - BLACK	9	9559210201	FOLD RETAINING GUIDE
2	9451343851	HANDLEBAR TUBE - PURPLE - XP	10	9612000908	MACH SCREW 1/4-20 x 1/2 FHS ZPS
2	9451343861	HANDLEBAR TUBE - TEAL - XP	11	9540608001	HANDLEBAR PIVOT NUT
2	9451343871	HANDLEBAR TUBE - PINK - XP	1-3	9180110051	UPPER HANDLEBAR KIT - PURPLE
3	563065	INSERT (SLEEVE) 3/4" - PLASTIC	1-3	9180110061	UPPER HANDLEBAR KIT - TEAL
4	9691121411	SNAP BUTTON - SINGLE, B-141	1-3	9180110071	UPPER HANDLEBAR KIT - PINK
5	9541632001	HANDLEBAR RELEASE PEG - PLASTIC	1-12	9151324101	FRAME ASSY - PURPLE - XP
6	9320201014	HANDLEBAR RELEASE TRIGGER	1-12	9151323101	FRAME ASSY - TEAL - XP
7	9627021604S	SETSCREW 1/4-20 x 1/4 CPNT SSS ANS	1-12	9151325101	FRAME ASSY - PINK - XP
8	9611000608	MACH SCREW #10-24 x 1/2 SBHCS ZPS			

NOTE: Effective for models beginning May 2007, having a serial number ending with a letter... e.g. xxxxxx07122A.

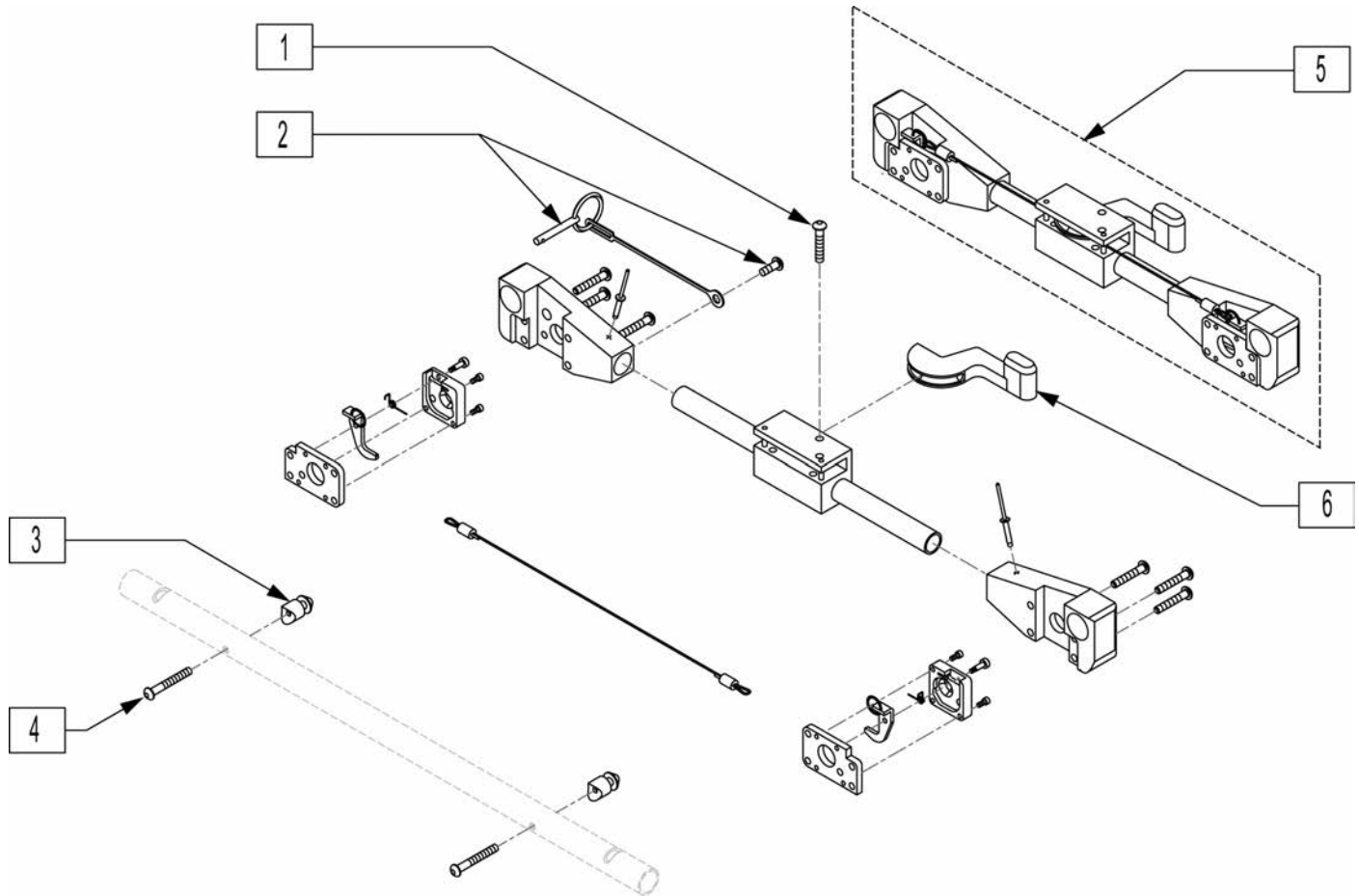
Note: Purple, Pink & Black colors discontinued as of Sept 2011, available as replacement parts only.



Pos.	Item Number	Description	Pos.	Item Number	Description
1	9394107501	GRIP HANDLE - 3/4" x 21" - BLACK	8	9611000608	MACH SCREW #10-24 x 1/2 SBHCS ZPS
2	9451343851	HANDLEBAR TUBE - PURPLE - XP	9	9559210201	FOLD RETAINING GUIDE
2	9451343861	HANDLEBAR TUBE - TEAL - XP	10	9612000908	MACH SCREW 1/4-20 x 1/2 FHS ZPS
2	9451343871	HANDLEBAR TUBE - PINK - XP	11	9540608001	HANDLEBAR PIVOT NUT
2	211234	HANDLEBAR TUBE - BLACK - XP	1-3	9180110051	UPPER HANDLEBAR KIT - PURPLE
2	102708	HANDLE BAR TUBE SILVER XP	1-3	9180110061	UPPER HANDLEBAR KIT - TEAL
3	563065	INSERT (SLEEVE) 3/4" - PLASTIC	1-3	9180110071	UPPER HANDLEBAR KIT - PINK
4	9691121411	SNAP BUTTON - SINGLE, B-141	1-3	211235	UPPER HANDLEBAR KIT - BLACK
5	102713S	XP FRM FOLD RLS MOUNT PAIR	1-3	102704	HANDLEBAR KIT SILVER XP
6	9320201014	HANDLEBAR RELEASE TRIGGER	1-12	9151324101	FRAME ASSY - PURPLE - XP
7	9627021604S	SETSCREW 1/4-20 x 1/4 CPNT SSS ANS	1-12	9151323101	FRAME ASSY - TEAL - XP

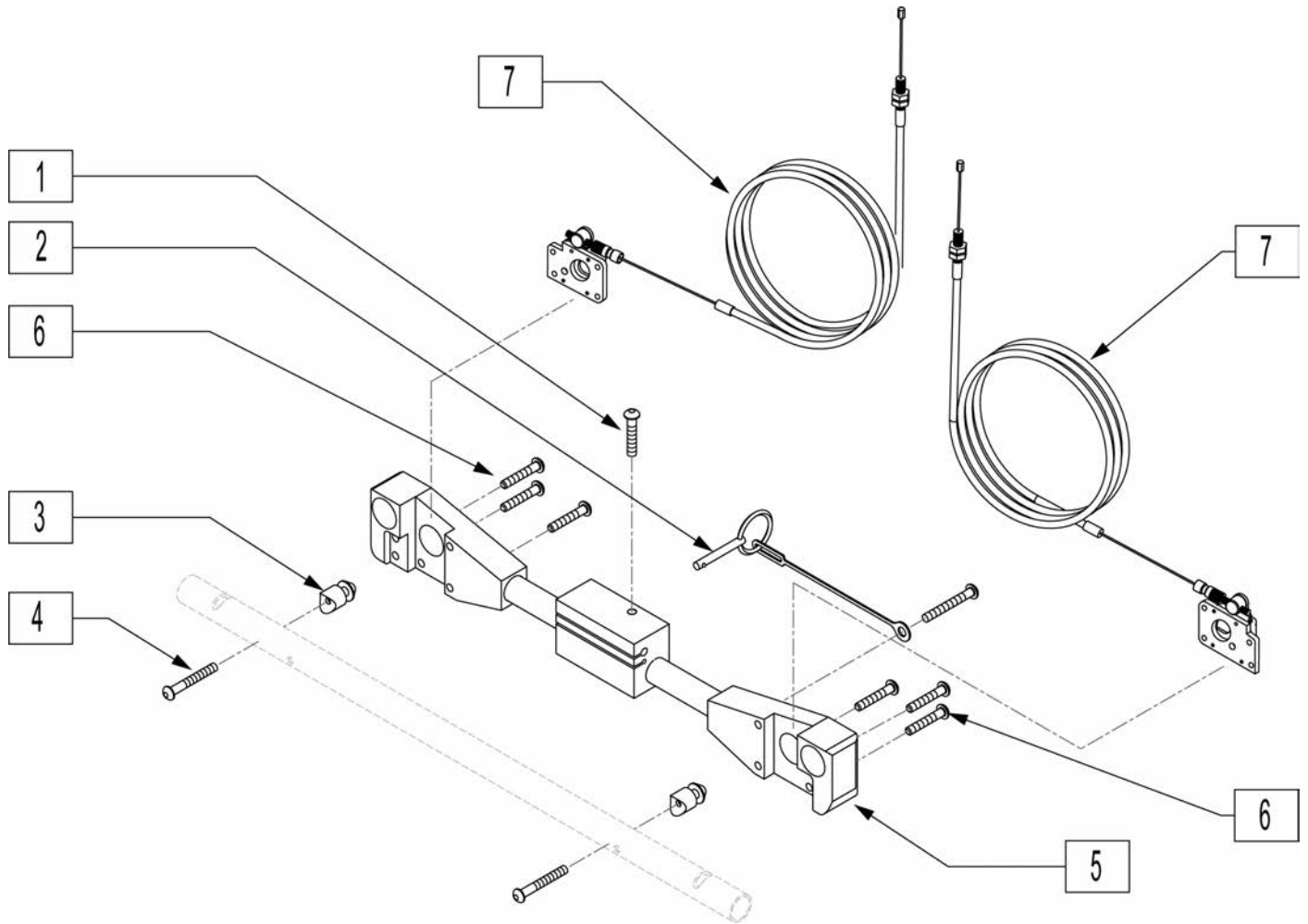
Pos.	Item Number	Description	Pos.	Item Number	Description
1-12	9151325101	FRAME ASSY - PINK - XP	1-12	102687	XP FRAME SILVER
1-12	102683	FRAME ASSY - BLACK - XP	13	103940	TRAY CABLE CLIP - XP

NOTE: Effective for models prior to May 2007, having a S/N without a letter at the end... e.g. xxxxxx07117 .

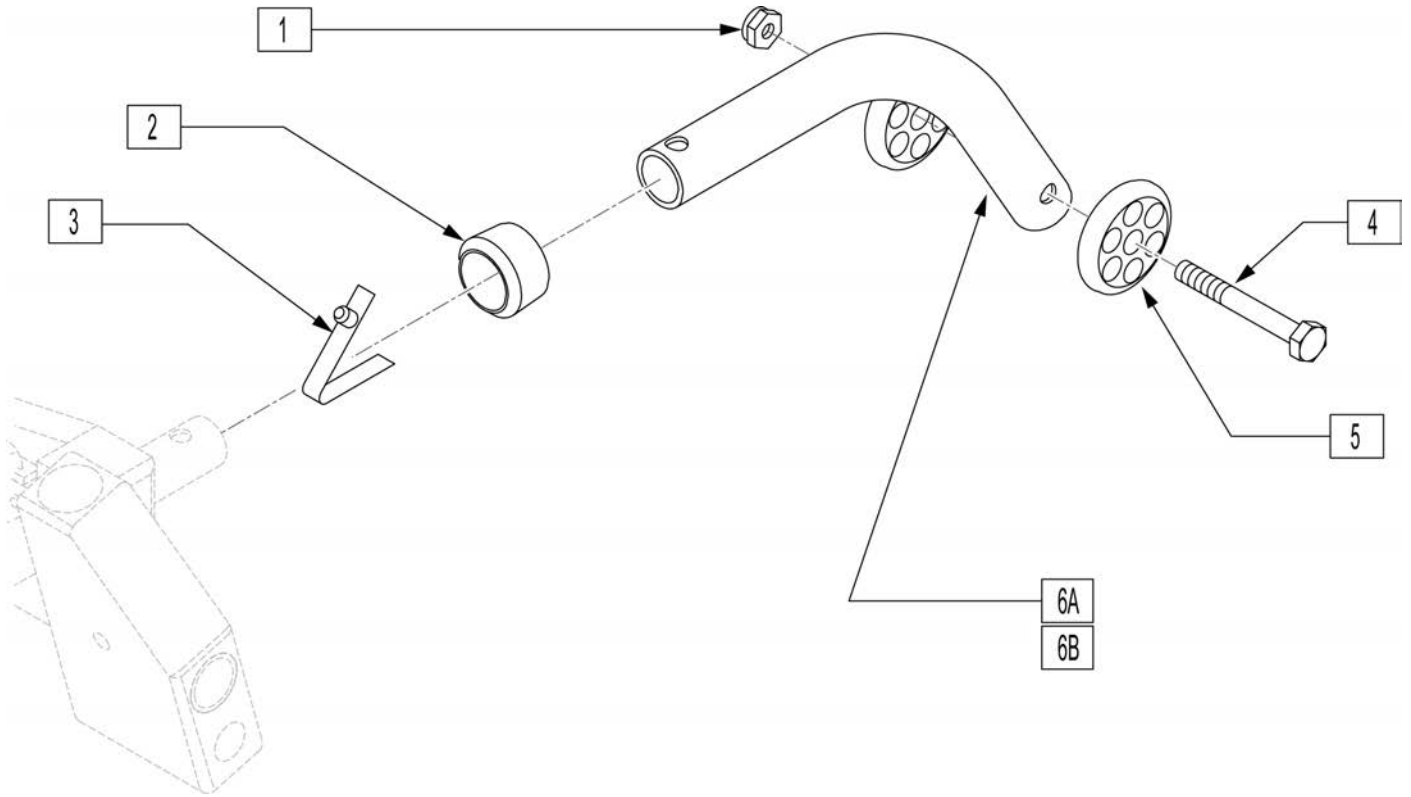


Pos.	Item Number	Description
1	9611000612	MACH SCREW #10-24 x 3/4 SBHCS ZPS
2	9770201004	FOLD LOCKOUT PIN - XP
3	9540812001	LATCH PIN
4	9611000616	MACH SCREW #10-24 x 1 SBHCS ZPS
5	888867	FOLD RELEASE ASSEMBLY - XP
6	9320402002	FOLD RELEASE LEVER - XP

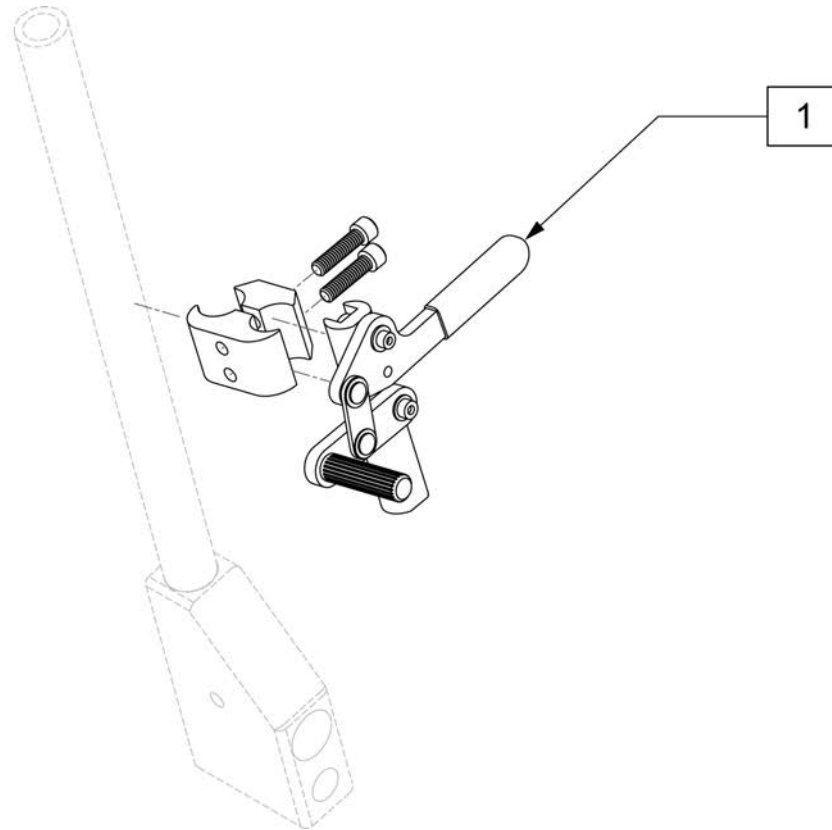
NOTE: Effective for models beginning May 2007, having a S/N ending with a letter... e.g. xxxxxx07122A or S/N prefix KKXP.



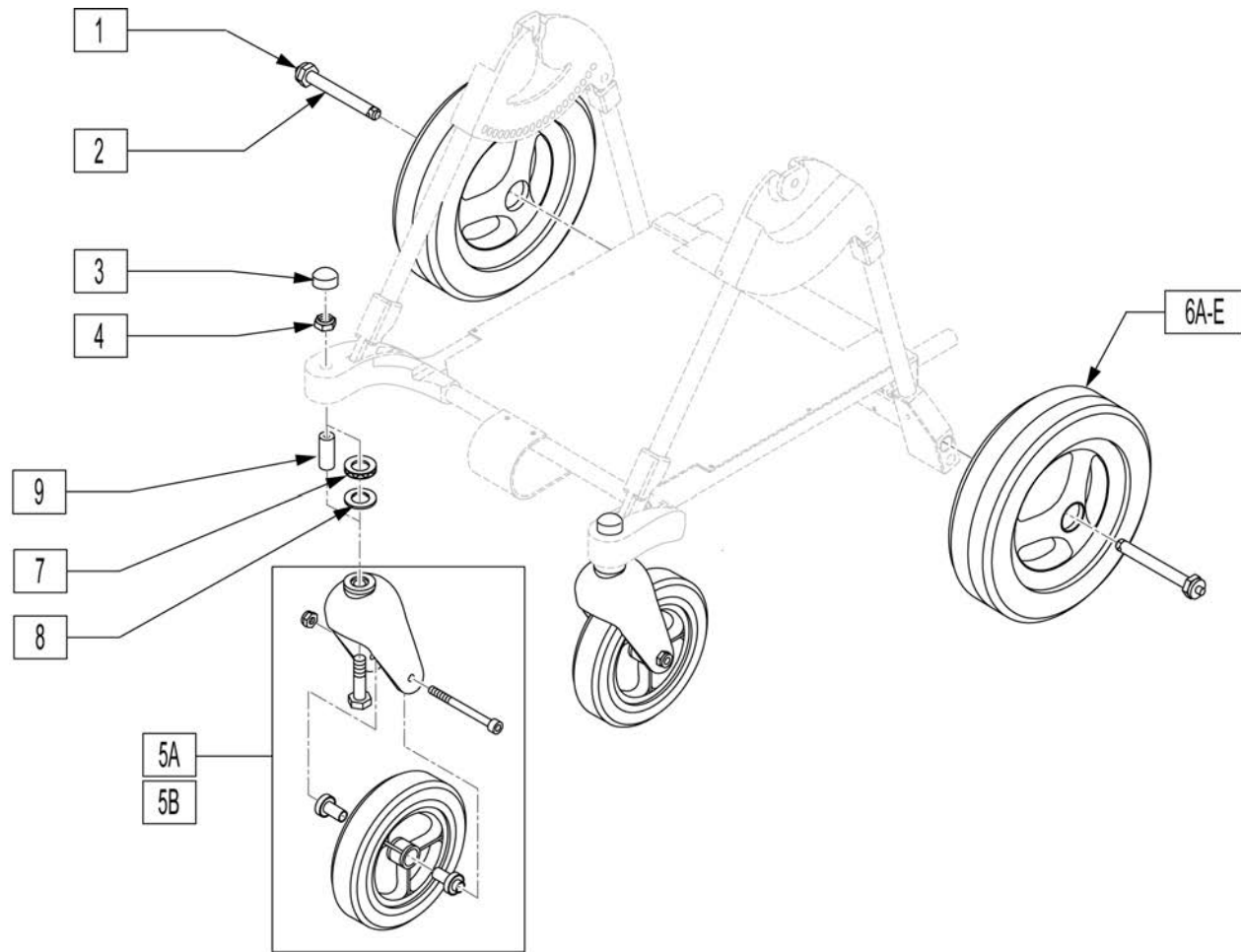
Pos.	Item Number	Description
1	9611000612	MACH SCREW #10-24 x 3/4 SBHCS ZPS
2	9770201004	FOLD LOCKOUT PIN (lanyard included)
3	9540812001	LATCH PIN
4	9611000616	MACH SCREW #10-24 x 1 SBHCS ZPS
1,2,5	105285	XP - RELEASE MECHANISM COMPL KIT
6,7	105277	XP - REL CABLE COMPL KIT (w/HDWR)



Pos.	Item Number	Description	Remarks
1	9650501012	NYLOCK NUT 1/4-20 ZPS	
2	563065	INSERT (SLEEVE) 3/4" - PLASTIC	
3	9691121411	SNAP BUTTON - SINGLE, B-141	
4	9611000932	HEX BOLT 1/4-20 x 2 ZPS	
5	561032	ANTI-TIP WHEEL	
6A	9453105001	ANTI-TIP TUBE 10"-12" - XP	
6B	9453120001	ANTI-TIP TUBE 14" - XP	
1-6A	920695	10"-12" ANTI-TIP ASSY - XP	PAIR
1-6B	920696	14" ANTI-TIP ASSY - XP	PAIR

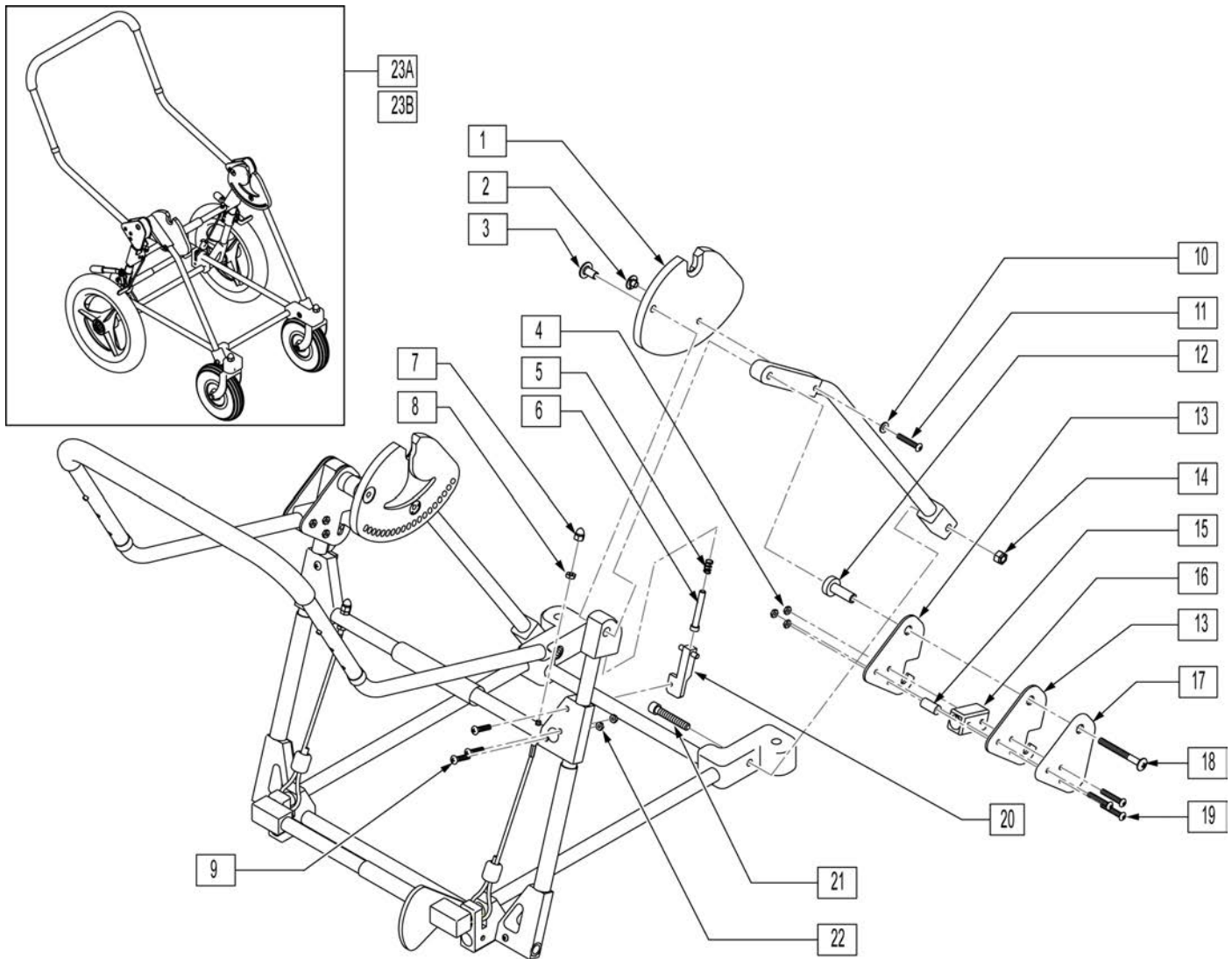


Pos.	Item Number	Description	Remarks
1	9180500102	WHEEL LOCK ASSEMBLY - L	LEFT
1	9180500202	WHEEL LOCK ASSEMBLY - R	RIGHT
1	920697	WHEEL LOCK ASSEMBLIES - XP	PAIR



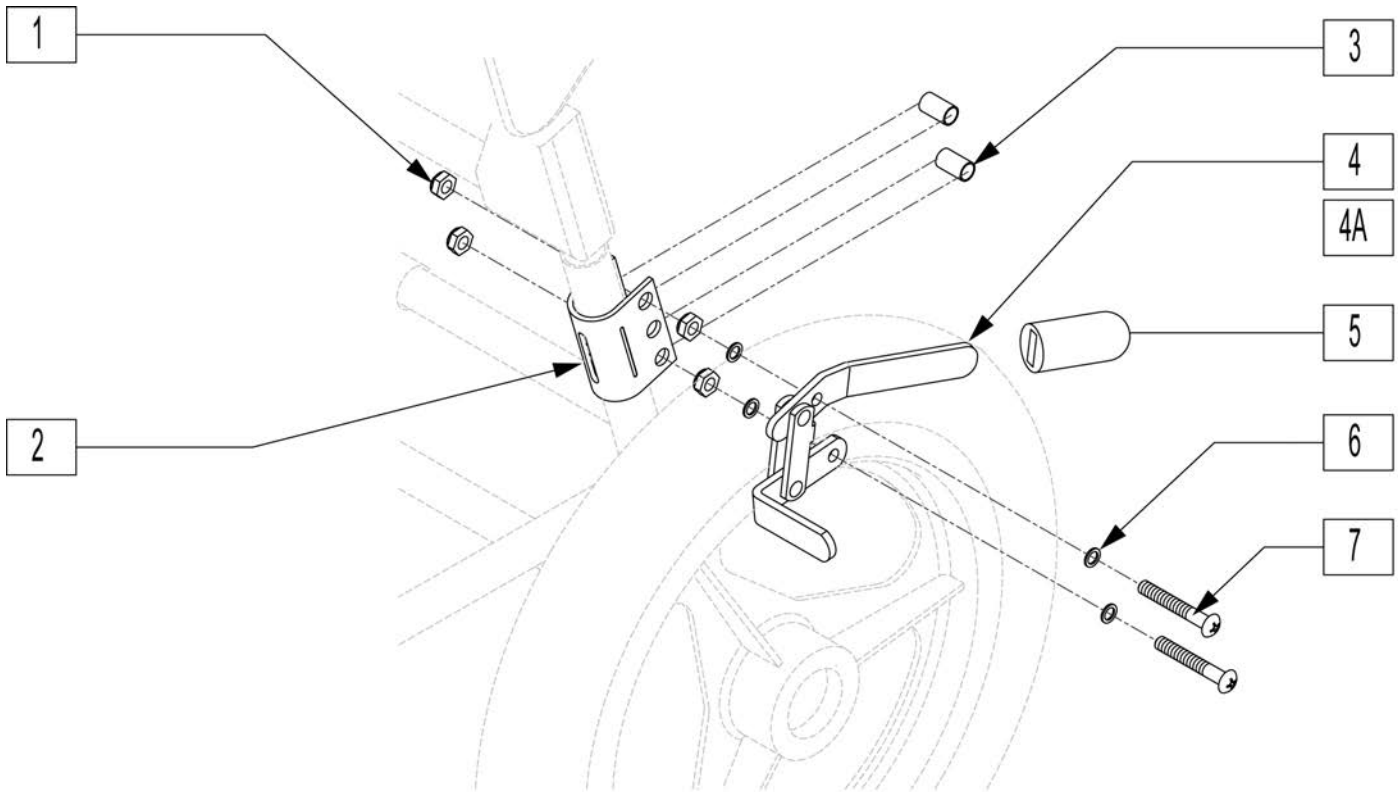
Pos.	Item Number	Description	Remarks
1	9650701021	NYLOCK NUT, LOW 1/2-20 ZPS	
2	9770104001	BALL LOCK PIN - AXLE, 57193-1	
1-2	900080	AXLE ASSEMBLY	
3	888081	NUT COVER	
4	106940	NYLOCK NUT 1/2-20 ZPS	
5A	9180600003	CASTER ASSY - 7" URETHANE	
5B	9180600005	CASTER ASSY - 8" AIRLESS	
6A	9711002001	WHEEL 10" SEMI-PNEUMATIC	
6B	9711202002	WHEEL 12" PNEUMATIC	
6C	9711402003	WHEEL 14" PNEUMATIC	
6D	9711202402	WHEEL 12" w/AIRLESS INSERT	
6E	9711402401	WHEEL 14" w/AIRLESS INSERT	
7	321166	WAVE SPRING	
8	9640181205	WASHER 1/2" FLAT NYLON	
7-8	780186	CASTER ANTI-FLUTTER RETRO KIT	
9	521562	CASTER STEM SPACER - 1-1/2", BLACK	Use w/8"caster

Note: Black color discontinued as of Sept 2011, available as replacement part only.

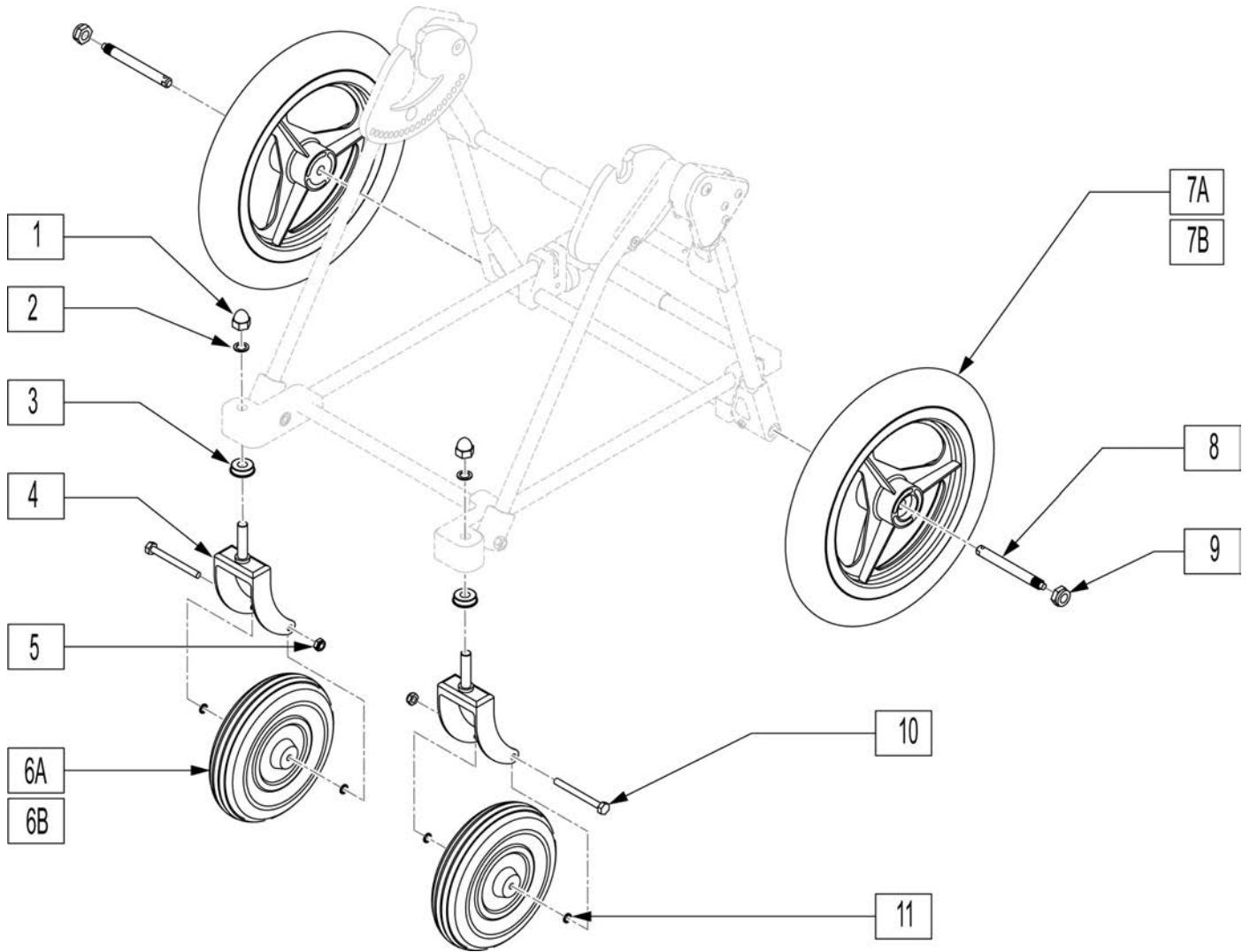


Pos.	Item Number	Description	Remarks
1	9530650001	T-I-S BLOCK VENT MOBASE - R	Right
1	9530650002	T-I-S BLOCK VENT MOBASE - L	Left
2	9681120106	T-NUT 1/4-20 x 3/8 ROUND ZPS	
3	9681140112	T-NUT 5/16 x 3/4 ROUND ZPS	
4	9651602010	TOP LOCK JAM NUT #10-24 ZPS	
5	9752503815	SPRING - COMPRESSION 3/8" OD x 1-1/4"	
6	9540430001	SPRING FOLLOWER	
7	9651001013	ACORN NUT 1/4-28 STL CHROME	
8	9650201013	HEX JAM NUT 1/4-28 ZPS	
9	9611000920	MACH SCREW 1/4-20 x 1-1/4 SBHCS ANS	
10	9640120601	WASHER #12 FLAT ANS	
11	9611000924	MACH SCREW 1/4-20 x 1-1/2 SBHCS ANS	
12	9540524001	HANDLEBAR PIVOT BUSHING	
13	9510504001	HANDLEBAR PLATE	

Pos.	Item Number	Description	Remarks
14	9650701016	NYLOCK JAM NUT 3/8-16 ZPS	
15	9670320616	SPACER 3/16"x1/2"x1" ALUM	
16	9420201011	HANDLEBAR BLOCK	
17	9559050401	HANDLEBAR PLATE COVER - R	Right
17	9559050402	HANDLEBAR PLATE COVER - L	Left
18	9619101148	MACH SCREW 5/16-18 PHP ZPS	
19	9611000624	MACH SCREW #10-24 x 1-1/2 SBHCS ANS	
20	9530201002	RELEASE BLOCK EXTENTION - R	Right
20	9530201003	RELEASE BLOCK EXTENSION - L	Left
21	9610001336	MACH SCREW 3/8-16 x 2-1/4 SHCS ANS	
22	9650701012	NYLOCK NUT, LOW 1/4-20 ZPS	
1-22	9150700111	FRAME ASSEMBLY - BLACK - VENT, XP	
23A	9140892011	MOBASE VENT BLACK XP	Pneumatic
23B	9140892012	AIRLESS MOBASE VENT BLACK XP	Airless
23C	120235	XP VENT BASE 14 AIRLESS SILVER	
23D	120236	XP VENT BASE 14 SILVER	

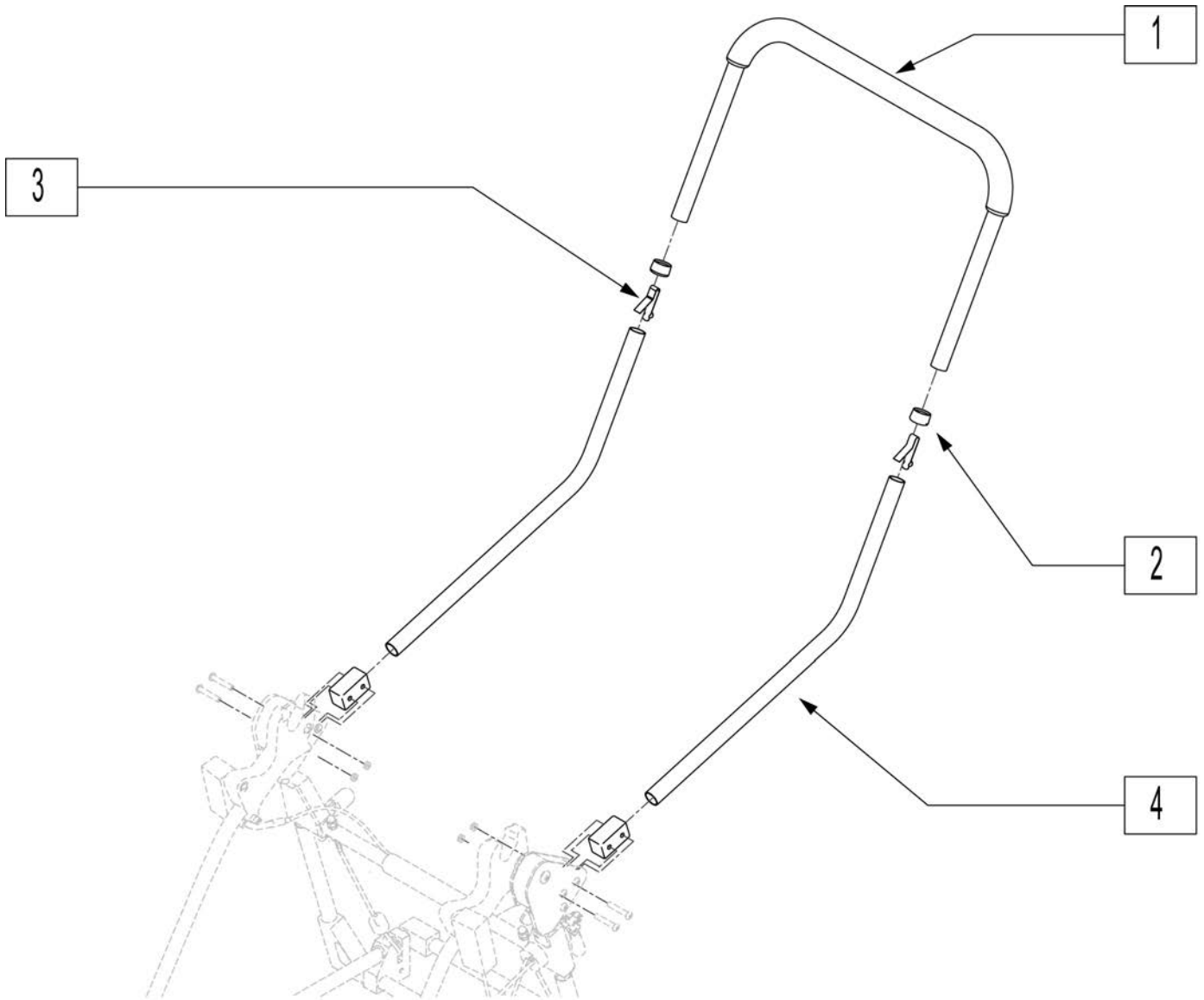


Pos.	Item Number	Description
1	9650501012	NYLOCK NUT 1/4-20 ZPS
2	9730000102	WHEEL LOCK BRACKET - L
2	9730000202	WHEEL LOCK BRACKET - R
3	9456006301	WHEEL LOCK SPACER 5/8"
4	9730000102	WHEEL LOCK MECHANISM - L - BR01
4	9730000202	WHEEL LOCK MECHANISM - R - BR02
5	9730000001	WHEEL LOCK HANDLE
6	9645140515	WASHER 1/4" SHOULDER NYLON
7	9611000928	MACH SCREW 1/4-20 x 1-3/4 SBHCS ZPS
1-7	9180500101	WHEEL LOCK ASSEMBLY - L
1-7	9180500201	WHEEL LOCK ASSEMBLY - R

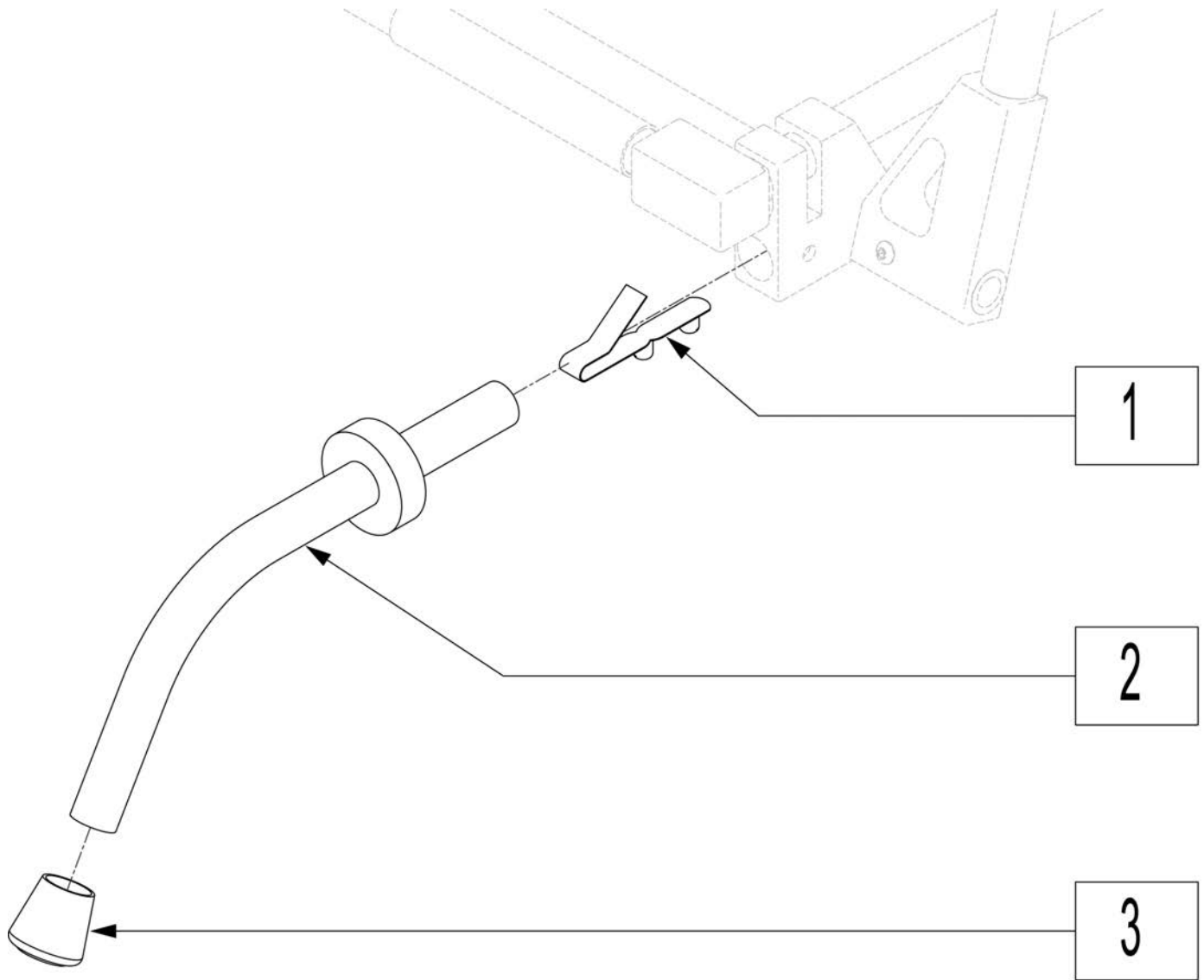


Pos.	Item Number	Description
1	9651001021	ACORN NUT 1/2-20 BRASS CHROME
2	9640181205	WASHER 1/2" FLAT NYLON
3	9740818071	BEARING 1/2" - FLANGED
4	9720813001	CASTER FORK w/STEM 8" CHROME
5	9650501014	NYLOCK NUT 5/16-18 ZPS
6A	9710802003	CASTER 8" - PNEUMATIC
6B	9710802004	CASTER 8" - w/AIRLESS INSERT
7A	9711402003	WHEEL 14" - PNEUMATIC
7B	9711402401	WHEEL 14" - w/AIRLESS INSERT
8	9770104001	BALL LOCK PIN - AXLE - 57193-1
9	9650701021	NYLOCK NUT, LOW 1/2-20 ZPS
8-9	900080	KID KART AXLE ASSEMBLY
10	9630204526	HEX BOLT 5/16-18 x 3-1/4 GRADE 5 ZPS
11	9640160761	WASHER 3/8" x 1/2" FLAT SS
1-5,10-11	900081	KID KART CHROME FORK ASSEMBLY
1-6A,10-11	9180600004	CASTER ASSY - 8" PNEUMATIC
1-6B,10-11	9180600006	CASTER ASSY - 8" w/AIRLESS INSERT

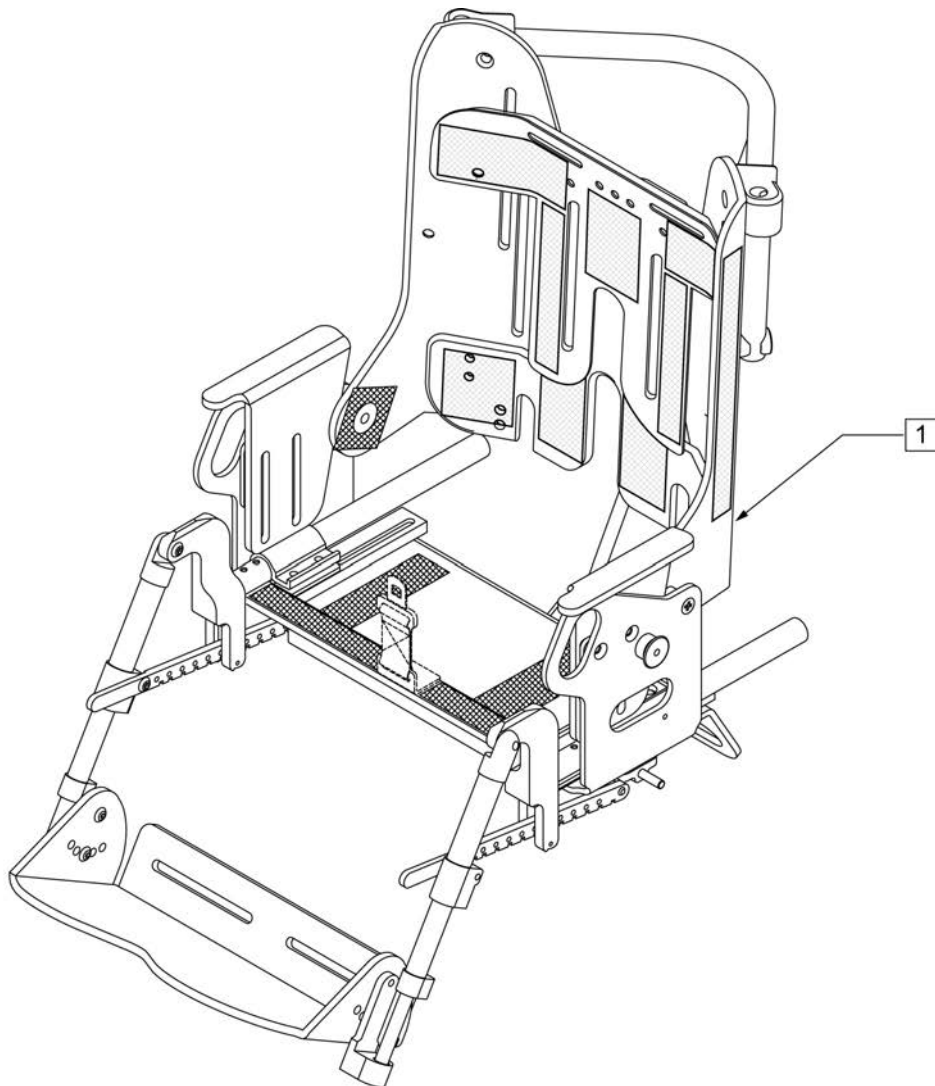
Note: Black color was discontinued as of September 2011 and is available as replacement parts only.



Pos.	Item Number	Description	Remarks
2	563065	INSERT (SLEEVE) 3/4" - PLASTIC	
3	9691121411	SNAP BUTTON - SINGLE, B-141	
1-3	882109	HANDLEBAR ASSEMBLY - UPPER	Black
1-3	120234	STROLLER HANDLE ASSM SILVER	



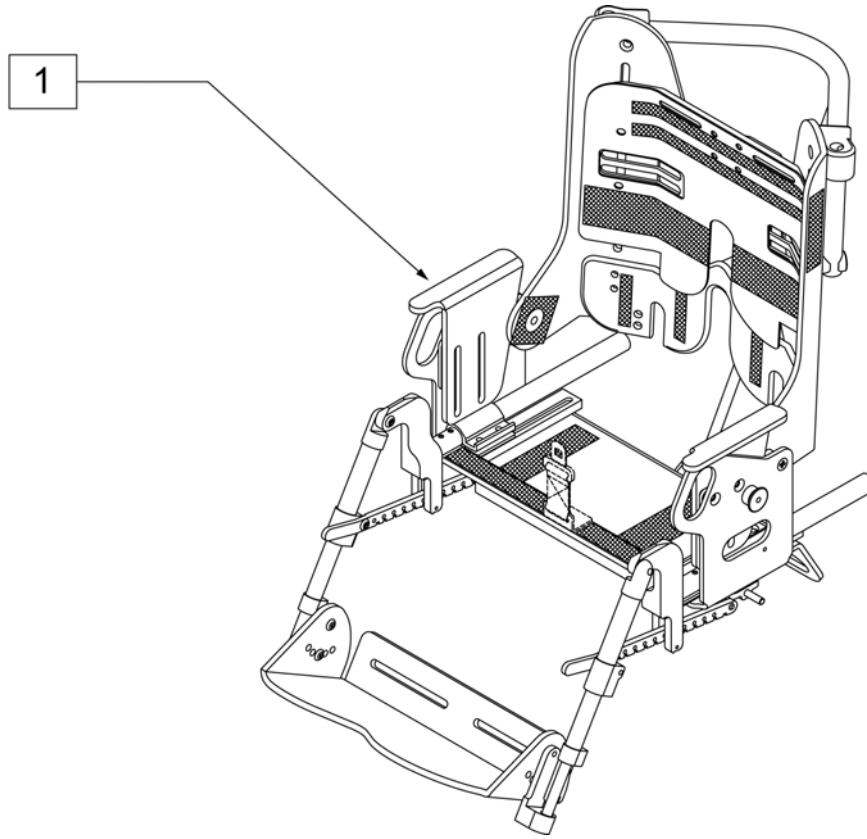
Pos.	Item Number	Description	Remarks
1	9691251101	SNAP BUTTON - DOUBLE	
3	9395017501	CRUTCH TIP 3/4" - BLACK	
1-3	9180414001	ANTI-TIP ASSY 14" BLACK ANODIZ	USE W/ 14" REAR WHEELS



Pos.	Item Number	Description	Remarks
1	103627	SHELL, SHORT - TILT	
1	103628	SHELL, SHORT - TILT, TRANSIT	
1	103629	SHELL, SHORT - TILT/RECLINE	
1	103630	SHELL, SHORT - TILT/RECLINE, TRANSIT	
1	103631S	SHELL, TALL - TILT	
1	103632	SHELL, TALL - TILT, TRANSIT	
1	103633S	SHELL, TALL - TILT/RECLINE	
1	103634S	SHELL, TALL - TILT/RECLINE, TRANSIT	
	102676S	XP BACK SHELL VELCRO	Short, Complete Shell Velcro Kit
	102719S	XP BACK SHELL VELCRO EXT	Tall, Complete Shell Velcro Kit

NOTE: Effective for models beginning May 2007, having a S/N ending with a letter... e.g. xxxxxx07122A or S/N prefix KKXP.

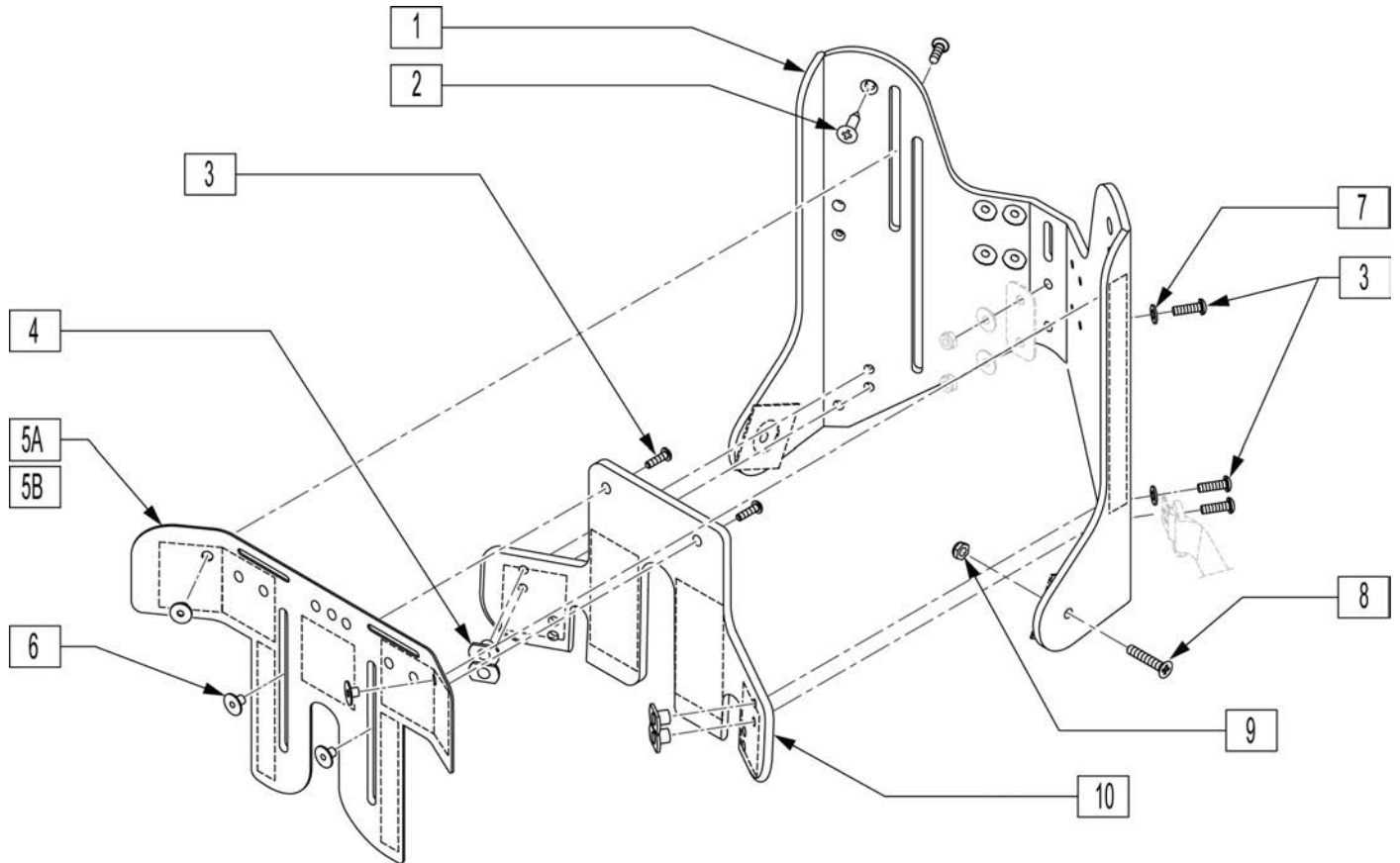
NOTE: Effective for models prior to May 2007, having a serial number without a letter at the end... e.g. xxxxxx07117



Pos.	Item Number	Description
1	913300001	SHELL, SHORT - TILT
1	913320001	SHELL, SHORT - TILT, TRANSIT
1	913311001	SHELL, SHORT - TILT/RECLINE
1	913331001	SHELL, SHORT - TILT/RECLINE, TRANSIT
1	913300002	SHELL, TALL - TILT
1	913320002	SHELL, TALL - TILT, TRANSIT
1	913311002	SHELL, TALL - TILT/RECLINE
1	913331002	SHELL, TALL - TILT/RECLINE, TRANSIT

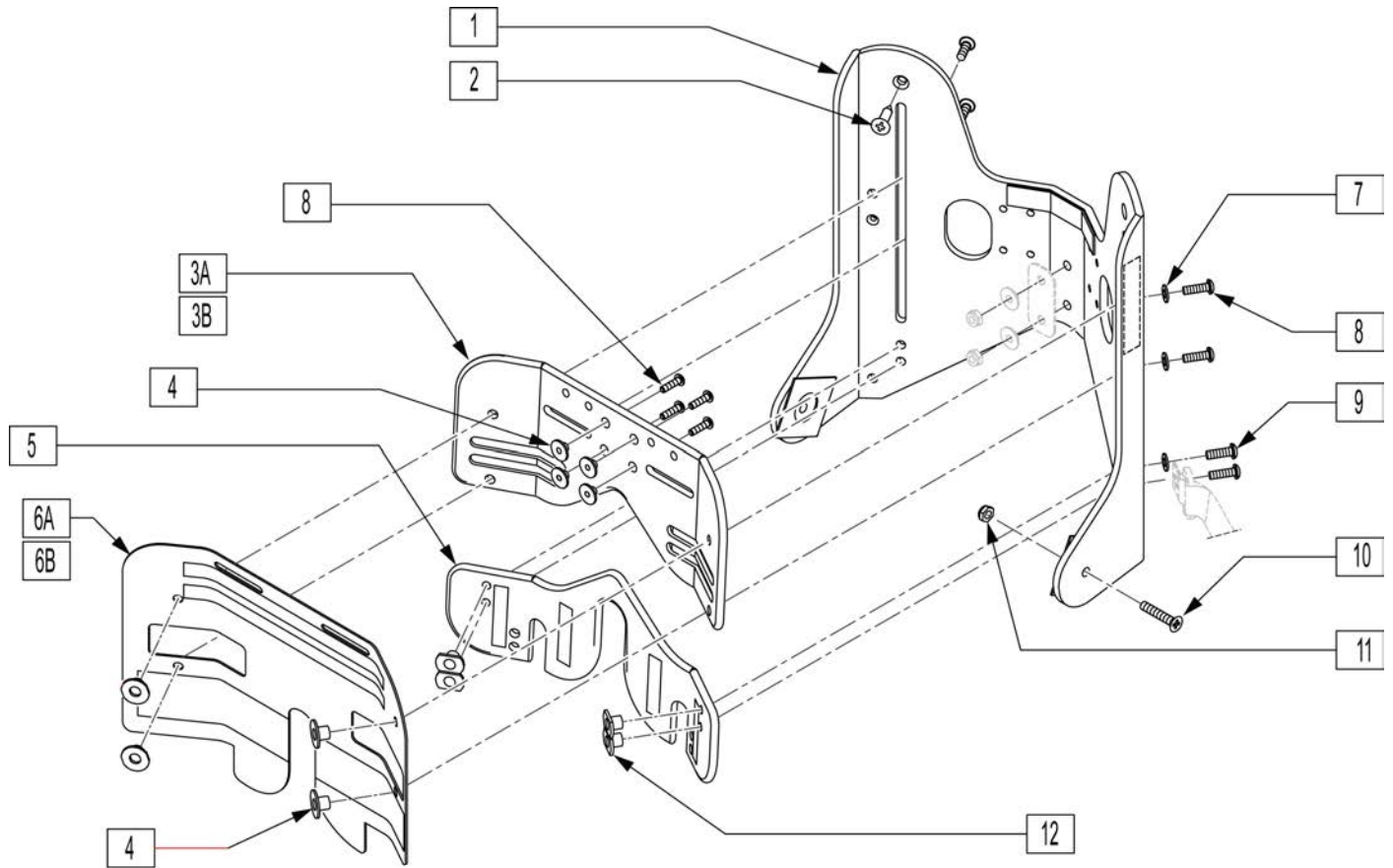
Note: Effective for models beginning May 2007, having a S/N ending with a letter... e.g. xxxxxx07122A or S/N prefix KKXP.

Note: Chairs built after S/N XPS-5367364-11085-MX or S/N prefix KKXP utilized black components and not gray, replacement parts will be offered only in black



Pos.	Item Number	Description
1	119202S	XP BACK SHELL MAIN
3	9611000910	MACH SCREW 1/4-20 x 5/8 SBHCS ANS
5A	119214S	XP BACK SHELL INNER-TOP
5B	119209S	XP BACK SHELL INNER-TOP TALL
6	9681120106	T-NUT 1/4-20 x 3/8 ROUND ZPS
7	106944	WASHER FLAT THIN AN 1/4 ROHS
8	9612000920	MACH SCREW 1/4-20 x 1-1/4 FHS ANS
9	9650701012	NYLOCK NUT, LOW 1/4-20 ZPS
10	119206S	XP BACK SHELL INNER BOTTOM
1-5A,6-12	103625	BACK SHELL - STANDARD
1-5B,6-12	103626	BACK SHELL - EXTENDED

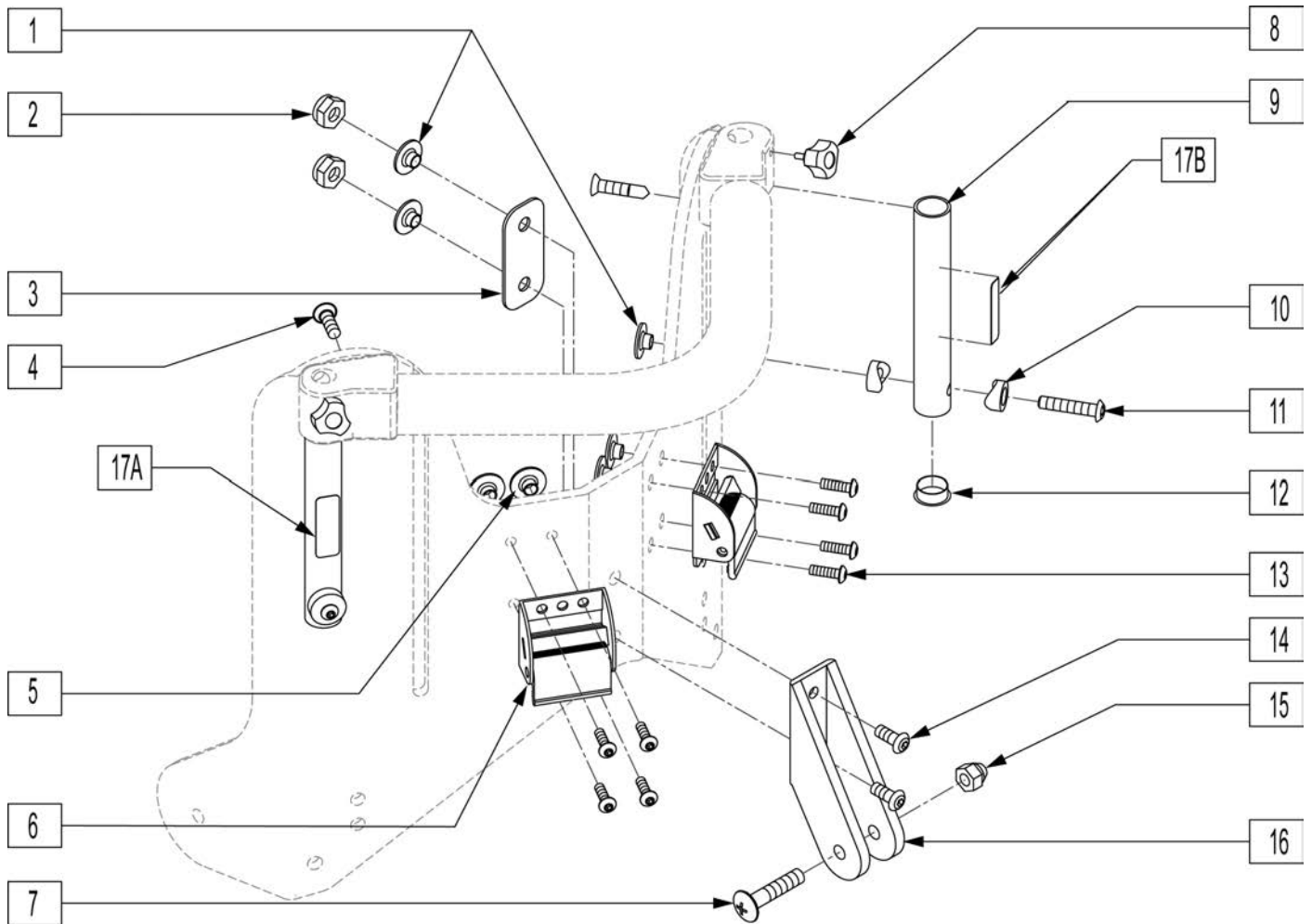
NOTE: Effective for models prior to May 2007, having a S/N without a letter at the end... e.g. xxxxxx07117.



Pos.	Item Number	Description
1	9555201301	OUTER SEAT BACK
2	226347	SMS #10-16 x 1-1/4 FHP, SELF-TAP ZPS
3A	9554130501	INNER BACK - UPPER - STANDARD
3B	9554130802	INNER BACK - UPPER - EXTENDED
4	9681120106	T-NUT 1/4-20 x 3/8 ROUND ZPS
5	9554130502	INNER BACK - LOWER
6A	9554130801	INNER BACK OVERLAY - STANDARD
6B	9554131102	INNER BACK OVERLAY - EXTENDED
7	106944	WASHER FLAT THIN AN 1/4 ROHS
8	9611000912	MACH SCREW 1/4-20 x 3/4 SBHCS ANS
9	9611000910	MACH SCREW 1/4-20 x 5/8 SBHCS ANS
10	9612000920	MACH SCREW 1/4-20 x 1-1/4 PFHS ANS
11	9650701012	NYLOCK NUT, LOW 1/4-20 ZPS
12	9683120104	T-NUT 1/4-20 x 1/4 SLOT-BASE ZPS
1-3A,4-6A,7-12	920671	BACK SHELL - STANDARD
1-3B,4-6B,7-12	920672	BACK SHELL - EXTENDED
	920670	VELCRO® KIT

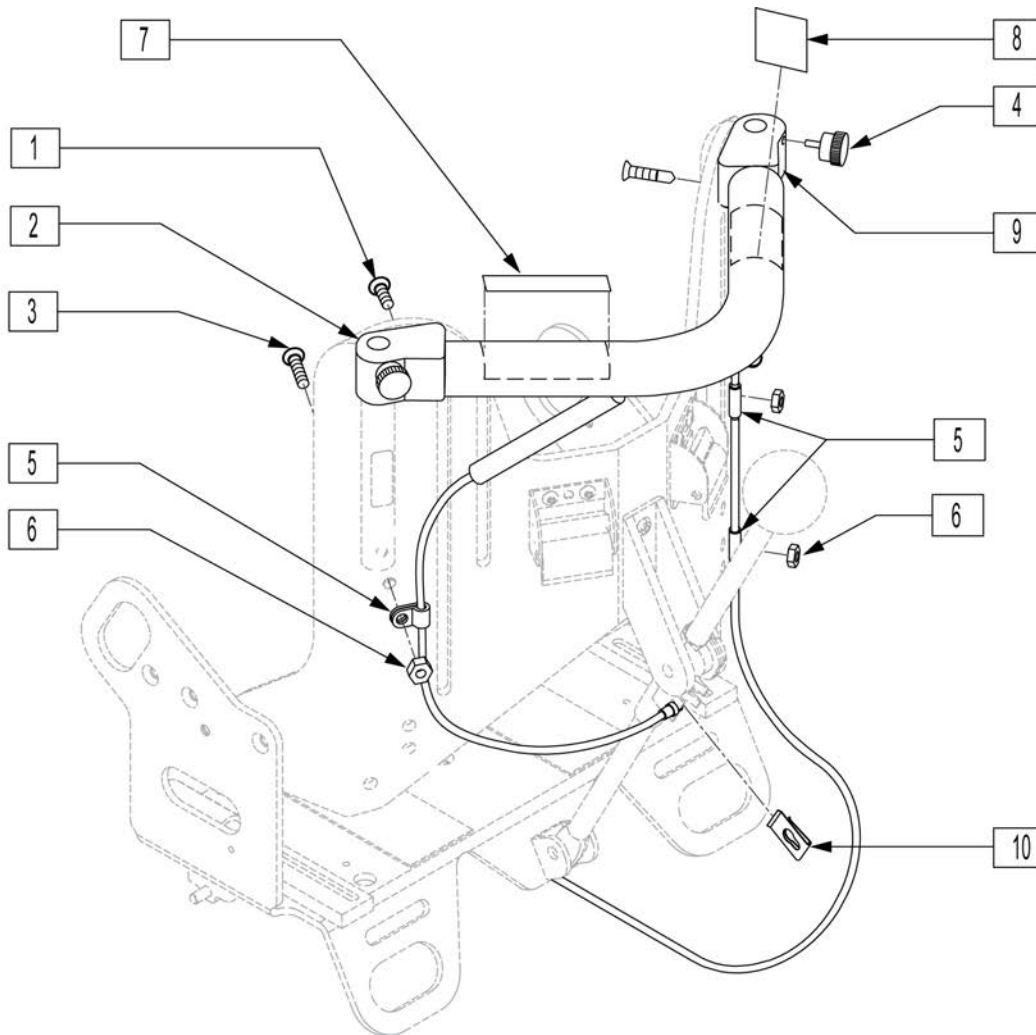
REAR SHELL ATTACHMENTS

[03/2009]

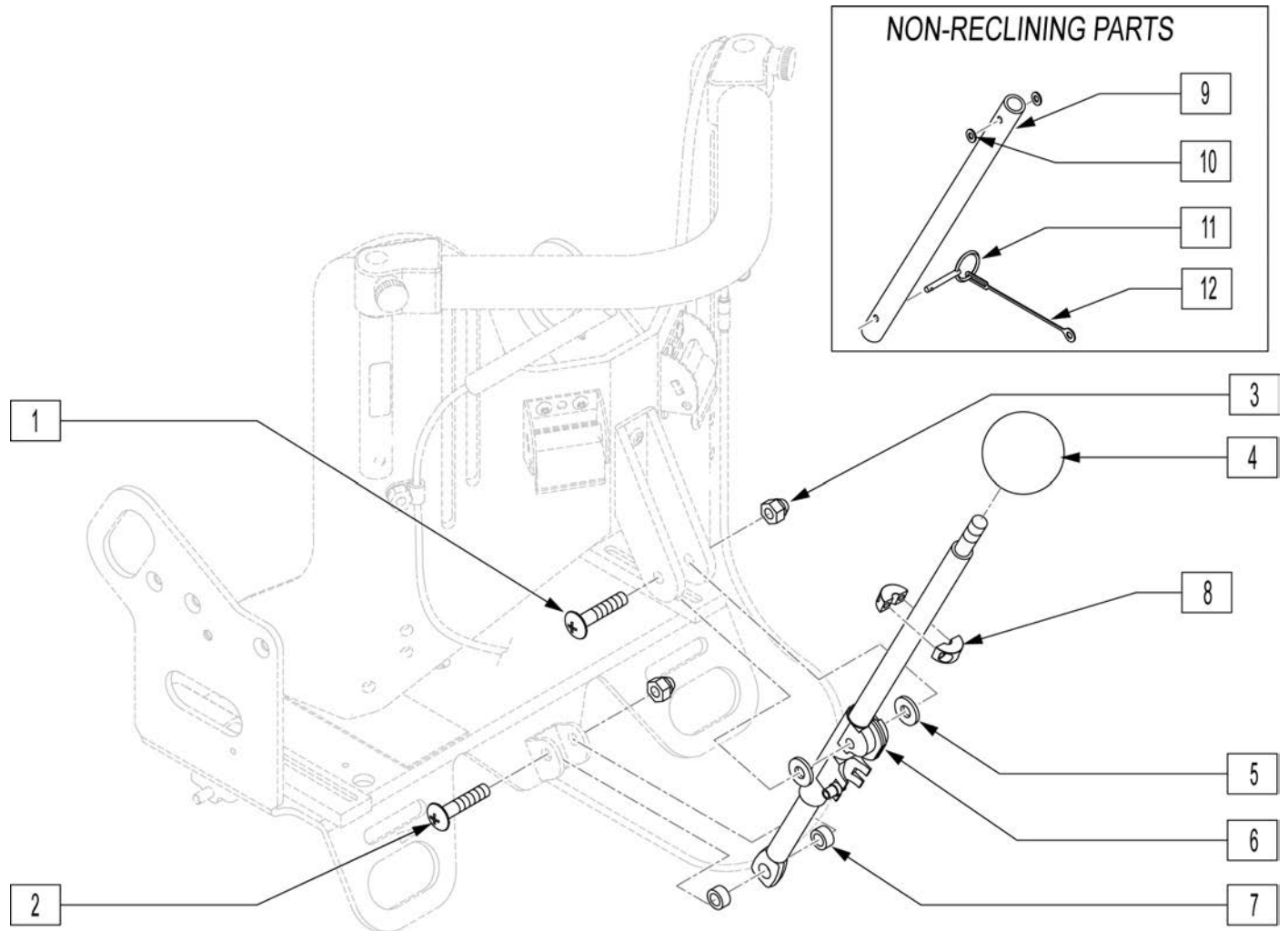


Pos.	Item Number	Description	Pos.	Item Number	Description
1	9681120104	T-NUT 1/4-20 x 1/4 ROUND ZPS	12	560741	INSERT PLUG 3/4" - RIBBED
2	9650701012	NYLOCK NUT, LOW 1/4-20 ZPS	13	220116	MACH SCREW #10-24 x 3/8 SBHCS ANS
3	9510301002	RECLINE BACKING PLATE	14	9611000912	MACH SCREW 1/4-20 x 3/4 SBHCS ANS
4	226347	SMS #10-16 x 1-1/4 FHP, SELF-TAP ZPS	15	9651001015	ACORN NUT 5/16-18 ZPS
5	102688	T-NUT #10-24 LOW 3-PRONG	16	9510305002	UPPER RECLINE MOUNT
6	9341150001	CAM ADJUSTER 1-1/2" - TRANSIT	17A	9931020102	LABEL: 'WARNING: USE SEAT BELT'
7	9619101124	MACH SCREW 5/16-18 x 1-1/2 THP ZPS	17B	9931030101	LABEL: 'CAUTION: NEVER LEAVE CHILD'
8	9761100002	KNOB #10-24 x 1/2 - MALE, BLACK	9-12,17A	920673	BACK SHELL TUBE ASSY - 'BELT' LABEL
9	9451118801	SHELL BACK TUBE - XP	9-12,17B	920694	BACK SHELL TUBE ASSY - 'CHILD' LABEL
10	561003	SADDLE OFFSET 3/4" - THIN	1-3,7,14-16	920674	UPPER RECLINE MOUNT ASSEMBLY
11	9611000920	MACH SCREW 1/4-20 x 1-1/4 SBHCS ANS	5, 6, 13	920675	CAM ADJUSTER w/HDWR - TRANSIT

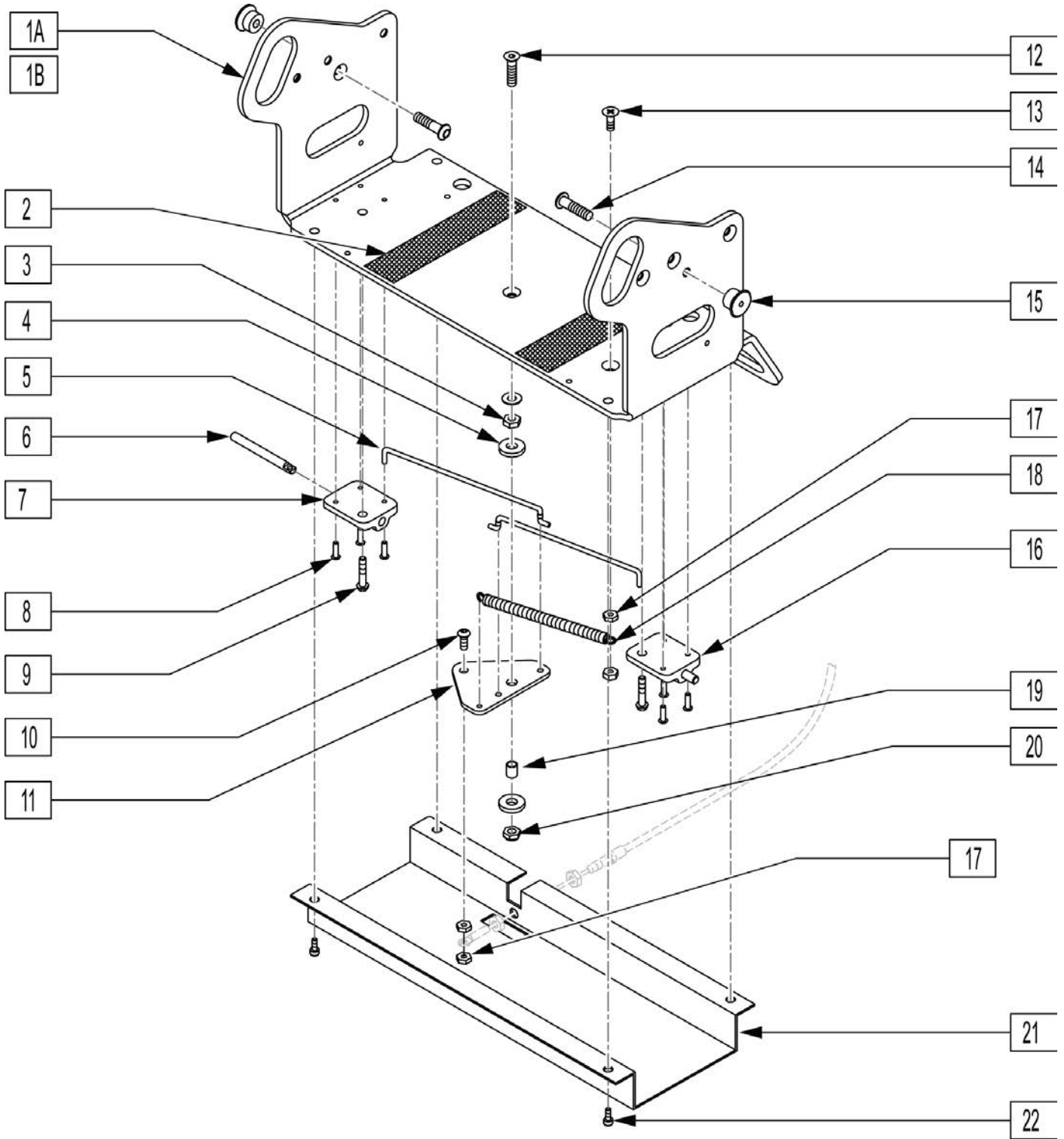
NOTE: replacement Recline option Handle Assy cannot be ordered separately;
must include Tilt option Handle Assy.



Pos.	Item Number	Description
1	226347	SCREW #10-16 x 1-1/4 FHP, SELF-TAP ZPS
2	9320201012	SHELL HANDLE BLOCK - L - XP
3	9612120610	MACH SCREW #10-24 x 5/8 FHP ANS
4	9761100002	KNOB #10-24 x 1/2 MALE - BLACK
5	9696918001	CABLE MOUNT 3/16"
6	9650501010	NYLOCK NUT #10-24 ZPS
7	102777	RECLINE FUNCTION LABEL
8	102776	TILT FUNCTION LABEL
9	9320201013	SHELL HANDLE BLOCK - R - XP
10	9699110106	RECLINE CABLE RETENTION CLIP
1-10	920688	HANDLE ASSY w/CABLE - TILT-ONLY
1-10	920689	HANDLE ASSY w/CABLE(S) - TILT/RECLINE



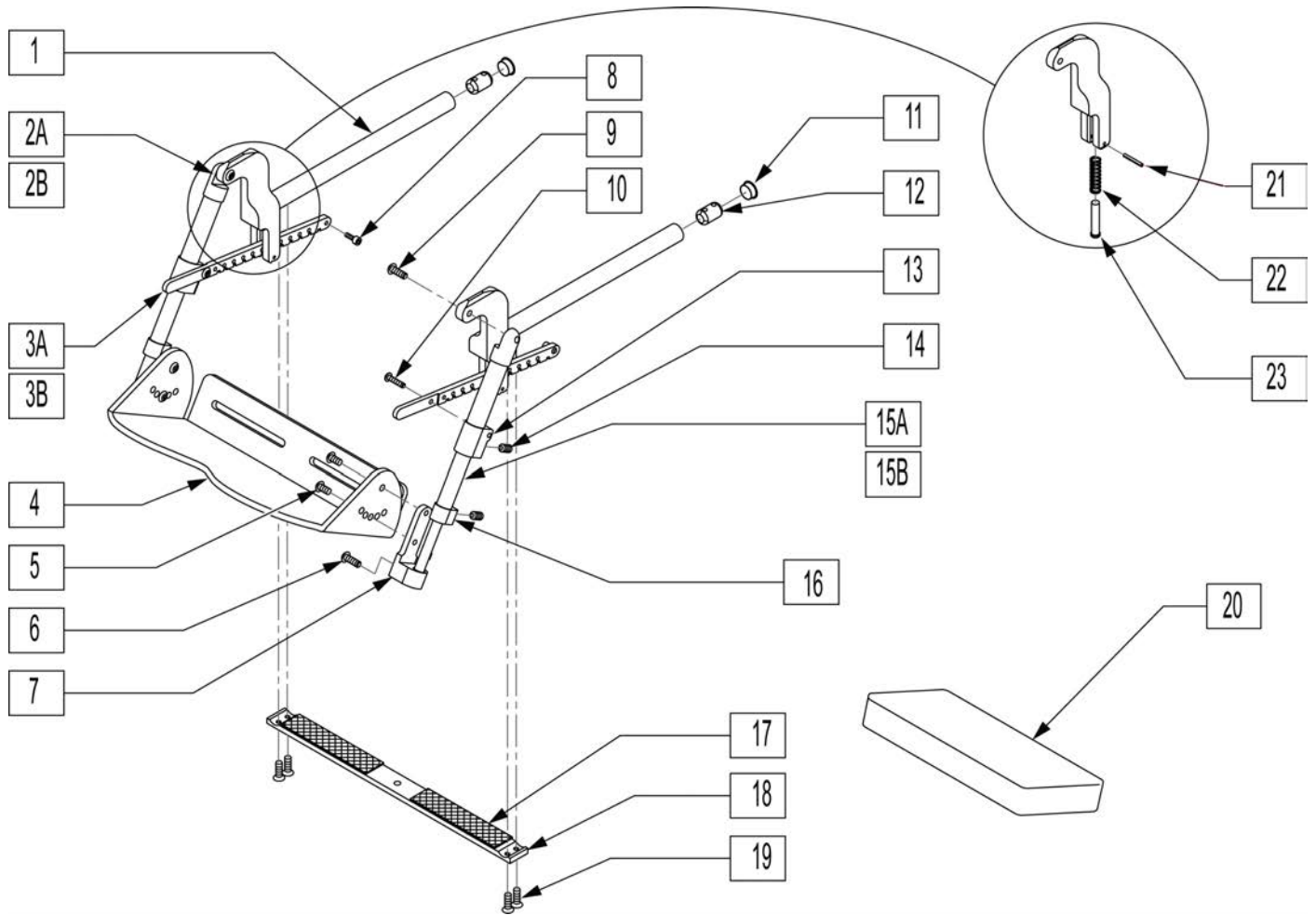
Pos.	Item Number	Description
1	9612000916	MACH SCREW 1/4-20 x 1 FHS ANS
2	9619101120	MACH SCREW 5/16-18 x 1-1/4 THP ZPS
3	9651001015	ACORN NUT 5/16-18 ZPS
4	9761100005	KNOB MECH-LOCK END - BLACK
5	9640161401	WASHER 5/16" FLAT ANS
6	9299903002	RECLINE ASSEMBLY (MECH-LOCK)
7	9670330804	SPACER 5/16"x1/2"x1/4" NYLON
1-7	920690	RECLINE MECH-LOCK ASSEMBLY
8	342049	RECLINE LIMITER - 10mm SPLIT COLLAR
9	9452092801	TUBE - FIXED (NON-) RECLINE
10	9640151225	WASHER 5/16"x3/4"x1/8" NYLON
11	9770202001	RING PIN - LOCKING 5/16" x 1-7/8"
12	9339000003	LANYARD 6" - NYLON
9-12	103850	NON-RECLINE HARDWARE PKG



Pos.	Item Number	Description	Pos.	Item Number	Description
1A	9430011407	SEAT BASE - TRANSIT (BENT) - XP	5	9470210601	T-I-S LINKAGE - XP
1B	9430011406	SEAT BASE - NON-TRANSIT (BENT) - XP	6	9470420201	T-I-S RELEASE PIN - XP
2	9261000032	VELCRO® LOOP 2" BLACK PS	7	9320202000	T-I-S RELEASE PIN MOUNT, L - XP
3	9650201012	HEX JAM NUT, LOW 1/4-20 ZPS	8	9660300404	BLIND RIVET 1/8" x 7/16"
4	9640151225	WASHER 5/16"x3/4"x1/8" NYLON	9	9611000924	MACH SCREW 1/4-20 x 1-1/2 SBHCS ANS

Pos.	Item Number	Description	Pos.	Item Number	Description
10	9611000608	MACH SCREW #10-24 x 1/2 SBHCS ANS	18	9754703135	T-I-S ACTIVATOR SPRING - XP
11	9510303003	T-I-S ACTIVATOR PLATE - XP	19	9670720506	BRONZE BUSHING 1/4"x5/16"x3/8"
12	9612000916	MACH SCREW 1/4-20 x 1 FHS ANS	20	9650501010	NYLOCK NUT #10-24 ZPS
13	9612120610	MACH SCREW #10-24 x 5/8 FHP ANS	21	9511104001	T-I-S ASSEMBLY COVER - XP
14	9612000908	MACH SCREW 1/4-20 x 1/2 FHS ANS	22	9610000604	MACH SCREW #10-24 x 1/4 SHCS ANS
15	9541608001	T-I-S PIVOT POST	1A,2-22	920687	TILT SEAT PAN ASSY - TRANSIT
16	9320202001	T-I-S RELEASE PIN MOUNT, R - XP	1B,2-22	920686	TILT SEAT PAN ASSY - NON-TRANSIT
17	9651602010	HEX JAM NUT, LOW #10-24 ZPS			

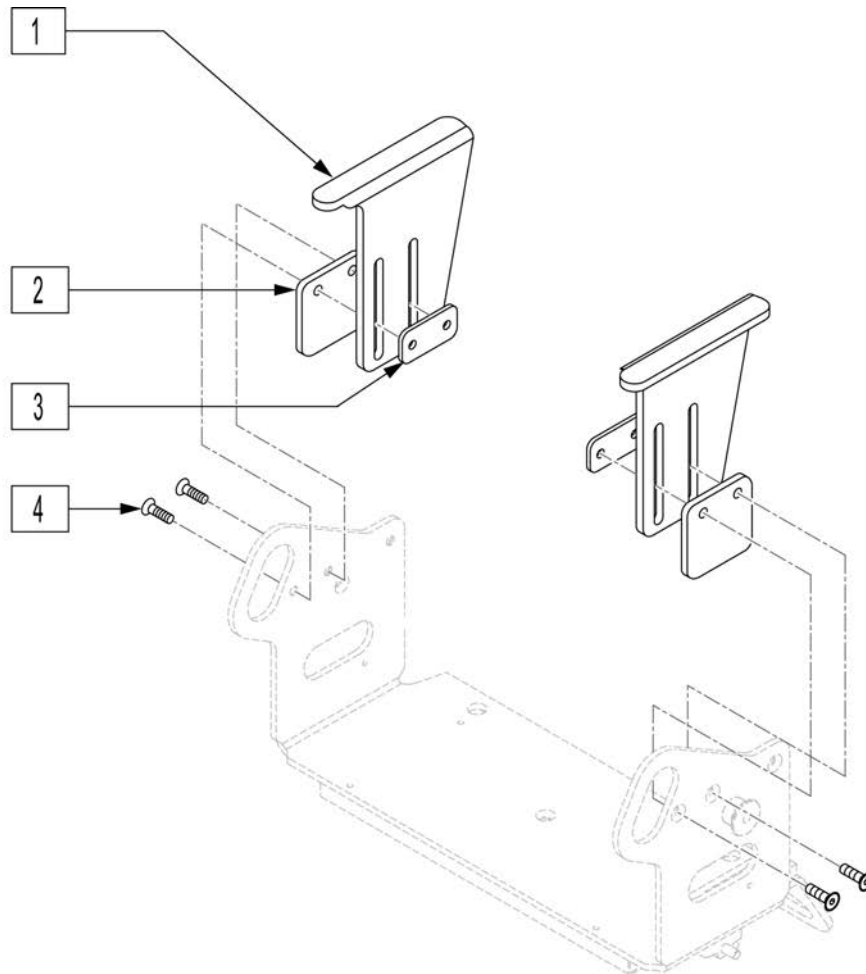
Note: Chairs built after S/N XPS-5367364-11085-MX or KKXP-008100 utilized black components and not gray, replacement parts will only be offered in black.



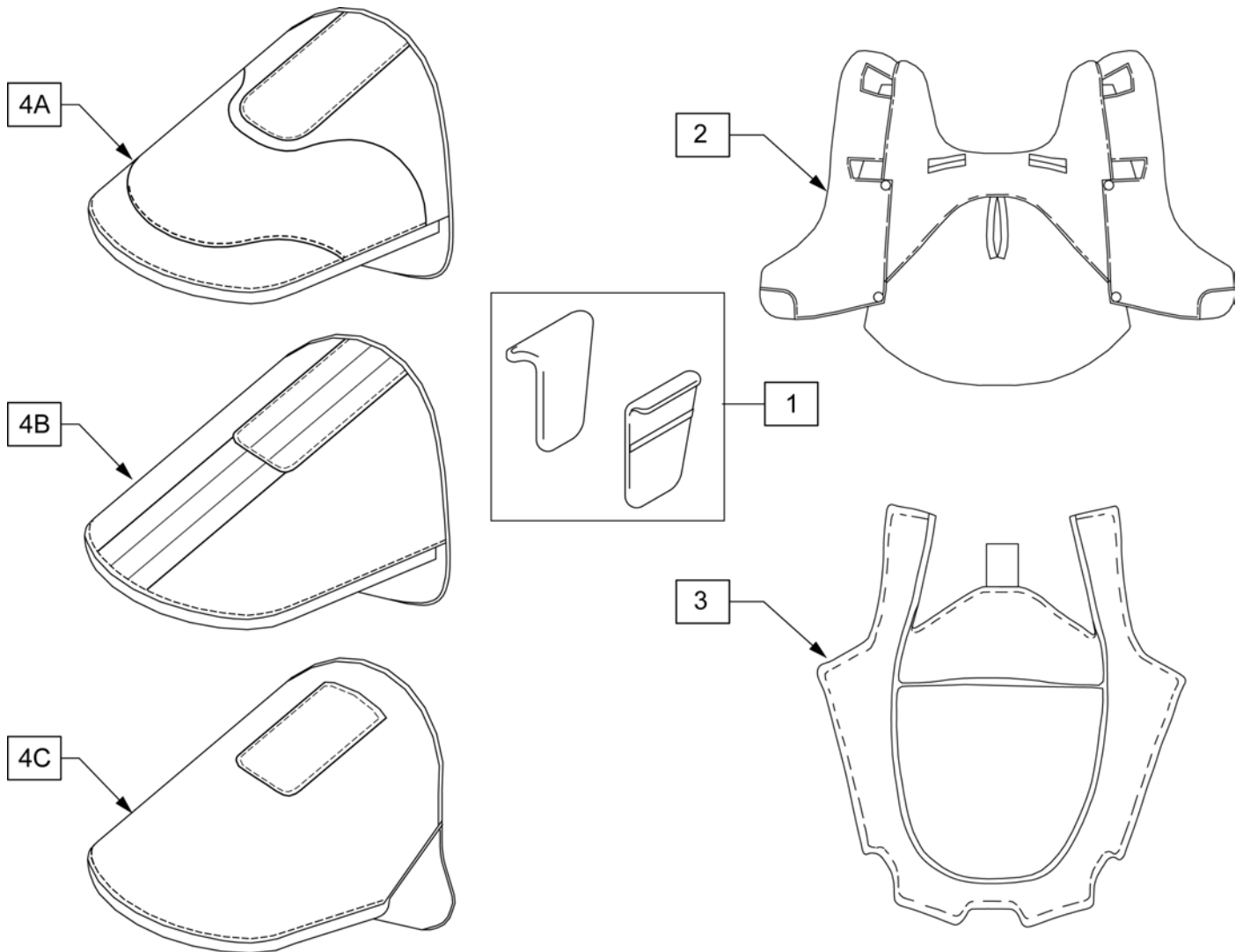
Pos.	Item Number	Description
1	9451110002	SEAT ADJUSTMENT TUBE - XP
2A	9320501001	KNEE ANGLE BLOCK - L - XP
2B	9320501002	KNEE ANGLE BLOCK - R - XP
3A	9530901002	KNEE ANGLE ADJUST BAR - L - XP
3B	9530901001	KNEE ANGLE ADJUST BAR - R - XP
4	119203S	FOOTBED XP
5	9611000908	MACH SCREW 1/4-20 x 1/2 SBHCS ANS
4-5	920680	FOOTBED w/HARDWARE
6	961000604	MACH SCREW #10-24 x 1/4 SBHCS ANS
7	9530103002	FOOTBED MOUNTING BRACKET
8	9611000914	MACH SCREW 1/4-20 x 7/8 SBHCS ANS
9	9611000912	MACH SCREW 1/4-20 x 3/4 SBHCS ANS
10	9611000612	MACH SCREW #10-24 x 3/4 SBHCS ZPS
11	560741	INSERT PLUG 3/4" - RIBBED
12	9652006010	SEAT TUBE NUT
13	9530101004	FOOTBED ADJUSTMENT CLAMP 3/4"
14	9627011808	SET SCREW 5/16-18 x 1/2 CPNT SS

Pos.	Item Number	Description
15A	9594121502	FOOTBED TELESCOPING ASSY - L
15B	9594121501	FOOTBED TELESCOPING ASSY - R
16	9530101003	FOOTBED ADJUSTMENT CLAMP 5/8"
17	920682	VELCRO® KIT XPRESS FOOTBED
18	9531301001	SEAT MOUNTING BAR - XP
19	9612000912	MACH SCREW 1/4-20 x 3/4 FHS ANS
1-19	9130040401	FOOTBED COMPLETE w/HARDWARE
1,2A,3A,10-12	920676	FOOTBED SUPPORT ARM - L
1,2B,3B,10-12	920677	FOOTBED SUPPORT ARM - R
7-10,13,14,15A,16	920678	FOOTBED TELESCOPING ASSY - L
7-10,13,14,15B,16	920679	FOOTBED TELESCOPING ASSY - R
20	9490911071	FOOTBED FOAM 3/4" - XP
20	9490911072	FOOTBED FOAM 1" - XP
20	9490911073	FOOTBED FOAM 1/2" - XP
21	9697212161	ROLL PIN 1/8" x 1.0"
22	9752503815	SPRING, COMPRESSION
23	9540624001	SPRING FOLLOWER

Note: Chairs built after S/N XPS-5367364-11085-MX or S/N prefix KKXP utilized black components and not gray, replacement parts will be offered only in black



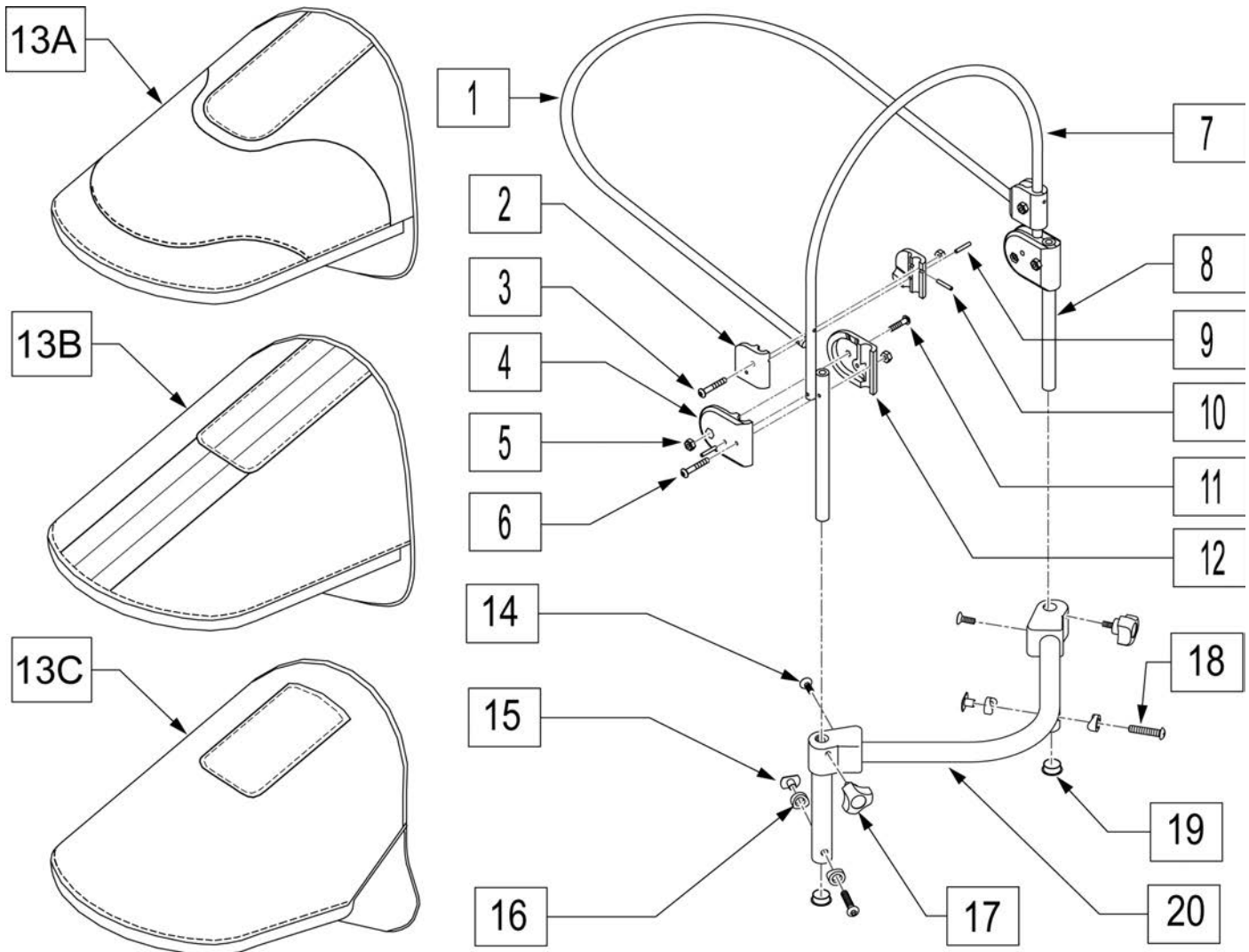
Pos.	Item Number	Description	Remarks
1	119227	ARM REST PAIR (L/R)	PAIR
2	119201S	ARM REST SPACER PLATE XP	
3	9510201005	ARM REST RETAINER	
4	9612000914	MACH SCREW 1/4-20 x 7/8 FHS ANS	
1-4	920691	UPPER EXTREMITY ASSEMBLY - L	LEFT
1-4	920692	UPPER EXTREMITY ASSEMBLY - R	RIGHT
1-4	920693	UPPER EXTREMITY ASSEMBLY - (L/R)	PAIR



Pos.	Item Number	Description	Remarks
1	9170719401	ARM REST COVER JAZZ PATTERN R	Color discontinued as of Sept 2011, parts only
1	9170719402	ARM REST COVER JAZZ PATTERN L	Color discontinued as of Sept 2011, parts only
1	9170720401	ARM REST COVER CLASSIC NAVY R	Color discontinued as of Sept 2011, parts only
1	9170720402	ARM REST COVER CLASSIC NAVY L	Color discontinued as of Sept 2011, parts only
1	9170721401	ARMREST COVER ORIGINAL TEAL R	Color discontinued as of Sept 2011, parts only
1	9170721402	ARMREST COVER ORIGINAL TEAL L	Color discontinued as of Sept 2011, parts only
1	102769	ARM REST COVER KHAKI/SMOKE R	Color discontinued as of Sept 2011, parts only
1	102773	ARM REST COVER KHAKI/SMOKE L	Color discontinued as of Sept 2011, parts only
1	102766	ARMREST COVER TLC GRAY RIGHT	
1	102765	ARMREST COVER TLC GRAY LEFT	
2	9170119401	SHELL COVER - JAZZ (PATTERN)	Color discontinued as of Sept 2011, parts only
2	9170120401	SHELL COVER - CLASSIC (NAVY)	Color discontinued as of Sept 2011, parts only
2	9170121401	SHELL COVER - ORIGINAL (TEAL)	Color discontinued as of Sept 2011, parts only
2	102763	SHELL COVER - RED/BLACK	Color discontinued as of Sept 2011, parts only
2	102767	SHELL COVER - KHAKI/SMOKE	Color discontinued as of Sept 2011, parts only
2	211535	SHELL COVER XP BUTTERFLY PRPL	
2	211536	SHELL COVER XP RACER RED	
2	211537	SHELL COVER XP PINK	
2	211538	SHELL COVER XP GREEN	

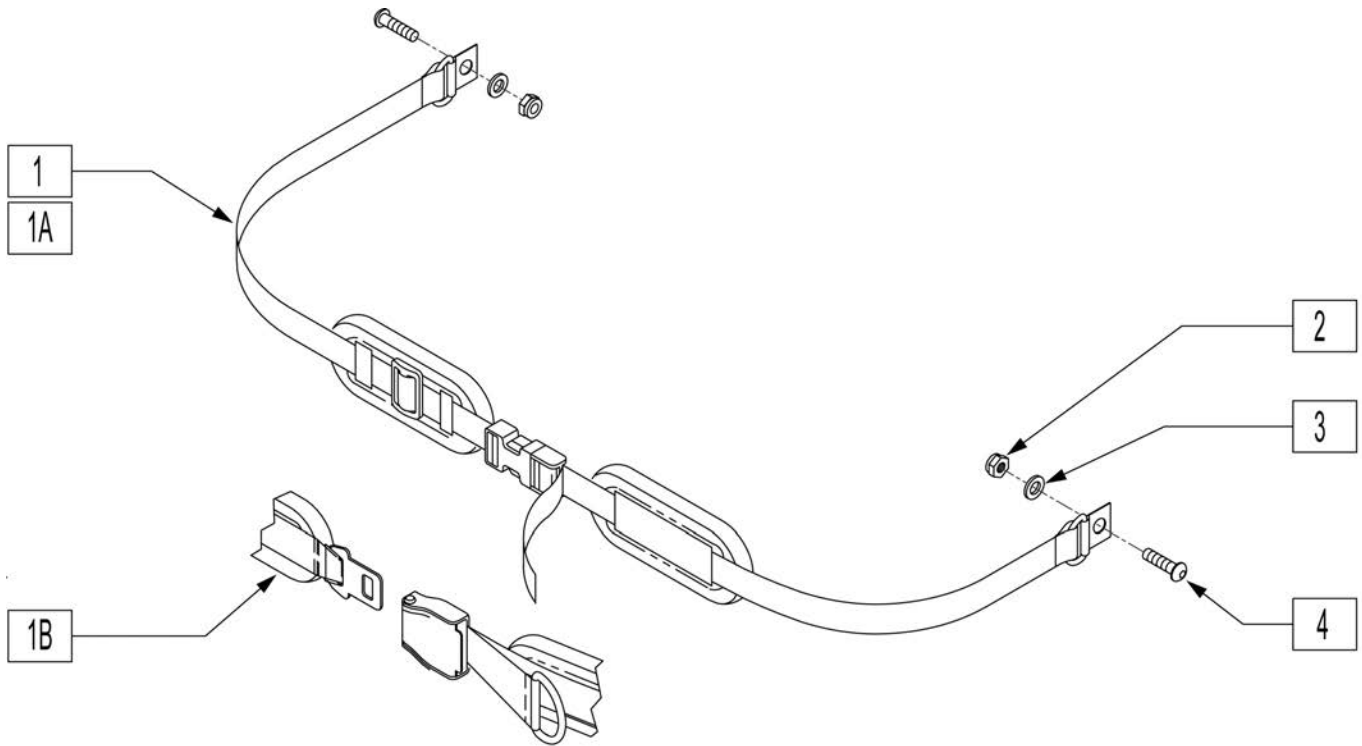
Pos.	Item Number	Description	Remarks
2	211539	SHELL COVER XP ORANGE	
2	211540	SHELL COVER XP BLUE	
3	9171919401	U-C TRAY COVER JAZZ PATTERN	Color discontinued as of Sept 2011, parts only
3	9171920401	U-C TRAY COVER CLASSIC NAVY	Color discontinued as of Sept 2011, parts only
3	9171921401	U-C TRAY COVER ORIGINAL TEAL	Color discontinued as of Sept 2011, parts only
3	102679	U-C TRAY COVER - RED/BLACK	Color discontinued as of Sept 2011, parts only
3	102774	U-C TRAY COVER - KHAKI/SMOKE	Color discontinued as of Sept 2011, parts only
3	211528	CATCH ALL RACER	
3	211529	CATCH ALL BUTTERFLIES	
3	211530	CATCH ALL GREEN	
3	211531	CATCH ALL PURPLE	
3	211532	CATCH ALL PINK	
3	211533	CATCH ALL ORANGE	
3	211534	CATCH ALL BLUE	
1,2	211259	CLR PKG VENT BASE JAZZ PATTERN	For Vent Base-Color discontinued as of Sept 2011, parts only
1,2	211260	CLR PKG VENT BASE CLASSIC NAVY	For Vent Base-Color discontinued as of Sept 2011, parts only
1,2	211261	CLR PKG VENT BASE ORIG TEAL	For Vent Base-Color discontinued as of Sept 2011d, parts only
1,2	211262	COLOR PKG VENT BASE RED/BLACK	For Vent Base-Color discontinued as of Sept 2011, parts only
1-3	9171717001	COLOR FABRIC PKG JAZZ PATTERN	For Mo-Base-Color discontinued as of Sept 2011, parts only
1-3	211264	COLOR FABRIC PKG CLASSIC NAVY	For Mo-Base-Color discontinued as of Sept 2011, parts only
1-3	211265	COLOR FABRIC PKG ORIGINAL TEAL	For Mo-Base-Color discontinued as of Sept 2011, parts only
1-3	211266	COLOR (FABRIC) PKG - RED/BLACK	For Mo-Base-Color discontinued as of Sept 2011, parts only
1-3	211267	COLOR FABRIC PKG KHAKI/SMOKE	For Mo-Base-Color discontinued as of Sept 2011, parts only
4A	211521	CANOPY CURVED BUTTERFLIES	
4A	211522	CANOPY CURVED RACER	
4A	211523	CANOPY CURVED PINK	
4A	211524	CANOPY CURVED GREEN	
4A	211525	CANOPY CURVED PURPLE	
4A	211526	CANOPY CURVED ORANGE	
4A	211527	CANOPY CURVED BLUE	
4B	211514	CANOPY STRIPE BUTTERFLIES	
4B	211515	CANOPY STRIPE RACER	
4B	211516	CANOPY STRIPE PINK	
4B	211517	CANOPY STRIPE GREEN	
4B	211518	CANOPY STRIPE PURPLE	
4B	211519	CANOPY STRIPE ORANGE	
4B	211520	CANOPY STRIPE BLUE	
4C	9170317001	SUNSHADE COVER - JAZZ (PATTERN)	Color discontinued as of Sept 2011, parts only
4C	9170318001	SUNSHADE COVER - CLASSIC (NAVY)	Color discontinued as of Sept 2011, parts only
4C	9170306003	SUNSHADE COVER - ORIGINAL (TEAL)	Color discontinued as of Sept 2011, parts only
4C	102764	SUNSHADE COVER - RED/BLACK	Color discontinued as of Sept 2011, parts only
4C	102768	SUNSHADE COVER - KHAKI/SMOKE	Color discontinued as of Sept 2011, parts only
4C	917030001	SUNSHADE FOREST GREEN	Color discontinued as of Sept 2011, parts only
4C	917030002	SUNSHADE BLUE	Color discontinued as of Sept 2011, parts only
4C	917030003	SUNSHADE PURPLE	Color discontinued as of Sept 2011, parts only
1-4A	119801	BUTTERFLY CURVED STRIPE XP PKG	
1-4A	119802	RACER CURVED STRIPE XP PKG	
1-4A	119803	PINK CURVED STRIPE XP PKG	
1-4A	119804	GREEN CURVED STRIPE XP PKG	
1-4A	119805	PURPLE CURVED STRIPE XP PKG	
1-4A	119806	ORANGE CURVED STRIPE XP PKG	
1-4A	119807	NAVY BLUE CURVED STRIPE XP PKG	
1-4B	119794	BUTTERFLY CENTER STRIPE XP PKG	
1-4B	119795	RACER CENTER STRIPE XP PKG	
1-4B	119796	PINK CENTER STRIPE XP PKG	
1-4B	119797	GREEN CENTER STRIPE XP PKG	
1-4B	119798	PURPLE CENTER STRIPE XP PKG	

Pos.	Item Number	Description	Remarks
1-4B	119799	ORANGE CENTER STRIPE XP PKG	
1-4B	119800	NAVY BLUE CENTER STRIPE XP PKG	
	119935	KIDKART COLOR SAMPLE	not shown



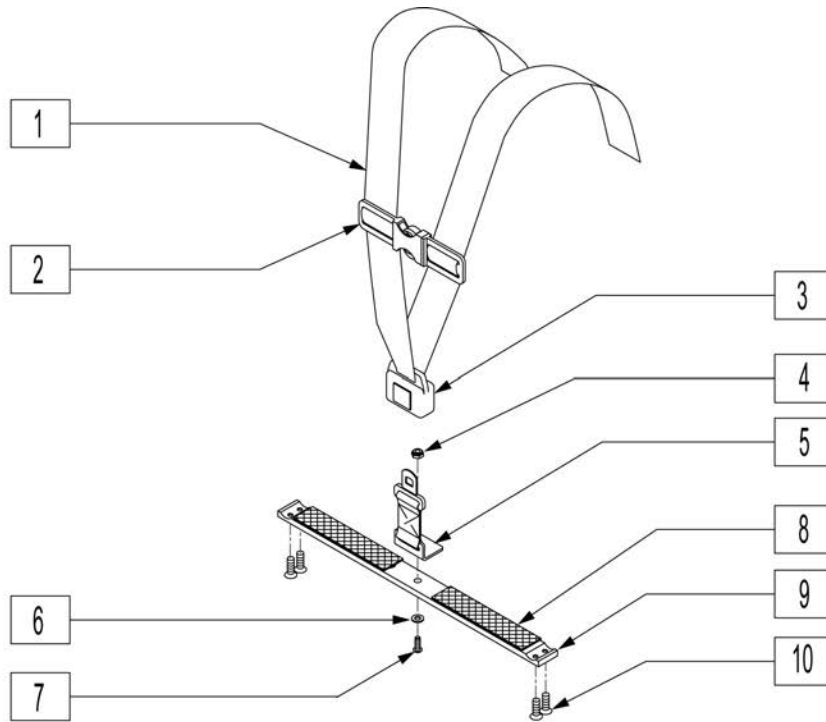
Pos.	Item Number	Description	Remarks
1	9470601701	SUNSHADE ROD - FRONT	
2	9329532001	SUNSHADE FOLD BLOCK (PR)	
3	9611000616	MACH SCREW #10-24 x 1 SBHCS ANS	
4	9320302004	SUNSHADE ANGLE ADJ BLOCK - L	
5	9650501010	NYLOCK NUT #10-24 ZPS	
6	9611000616	MACH SCREW #10-24 x 1-1/8 SBHCS ANS	
7	9470601201	SUNSHADE ROD - REAR	
8	9454067501	SUNSHADE MOUNTING TUBE	
9	9697212141	SPRING PIN 1/8" x 3/4"	
10	9697212101	SPRING PIN 1/8" x 5/8"	
11	9611000614	MACH SCREW #10-24 x 7/8 SBHCS ANS	
12	9320302003	SUNSHADE ANGLE ADJ BLOCK - R	
1-12	9180112004	SUNSHADE HARDWARE ASSEMBLY	
13A	211521	CANOPY CURVED BUTTERFLIES	
13A	211522	CANOPY CURVED RACER	
13A	211523	CANOPY CURVED PINK	
13A	211524	CANOPY CURVED GREEN	
13A	211525	CANOPY CURVED PURPLE	
13A	211526	CANOPY CURVED ORANGE	

Pos.	Item Number	Description	Remarks
13A	211527	CANOPY CURVED BLUE	
13B	211514	CANOPY STRIPE BUTTERFLIES	
13B	211515	CANOPY STRIPE RACER	
13B	211516	CANOPY STRIPE PINK	
13B	211517	CANOPY STRIPE GREEN	
13B	211518	CANOPY STRIPE PURPLE	
13B	211519	CANOPY STRIPE ORANGE	
13B	211520	CANOPY STRIPE BLUE	
13C	9170317001	SUNSHADE COVER - JAZZ (PATTERN)	Color discontinued as of Sept 2011, parts only
13C	9170318001	SUNSHADE COVER - CLASSIC (NAVY)	Color discontinued as of Sept 2011, parts only
13C	9170306003	SUNSHADE COVER - ORIGINAL (TEAL)	Color discontinued as of Sept 2011, parts only
13C	102764	SUNSHADE COVER - RED/BLACK	Color discontinued as of Sept 2011, parts only
13C	102768	SUNSHADE COVER - KHAKI/SMOKE	Color discontinued as of Sept 2011, parts only
13C	211508	SUNSHADE FOREST GREEN	Color discontinued as of Sept 2011, parts only
15	9681120104	TNUT 1/4-20X1/4 ROUND STL ZN	
16	561003	3/4" SADDLE THIN	
17	9761100002	KNOB BLACK 10-24 X 1/2	
18	9611000920	MA SCRW 1/4-20X1.25 BHSK ZN	
19	560741	3/4" INSERT PLUG RIBBED	
14-20	120214	TOWEL BAR ASSM	
1-13A	120222	CANOPY ASSM CRVD BUTRFLYS	
1-13A	120223	CANOPY ASSM CRVD RACER	
1-13A	120224	CANOPY ASSM CRVD PINK	
1-13A	120225	CANOPY ASSM CRVD GREEN	
1-13A	120226	CANOPY ASSM CRVD PURPLE	
1-13A	120227	CANOPY ASSM CRVD ORANGE	
1-13A	120228	CANOPY ASSM CRVD BLUE	
1-13B	120215	CANOPY ASSM STRIPE BUTRFLYS	
1-13B	120216	CANOPY ASSM STRIPE RACER	
1-13B	120217	CANOPY ASSM STRIPE PINK	
1-13B	120218	CANOPY ASSM STRIPE GREEN	
1-13B	120219	CANOPY ASSM STRIPE PURPLE	
1-13B	120220	CANOPY ASSM STRIPE ORANGE	
1-13B	120221	CANOPY ASSM STRIPE BLUE	
1-13C	9180112001	SUNSHADE ASSY - JAZZ (PATTERN)	Color discontinued as of Sept 2011, parts only
1-13C	9180112002	SUNSHADE ASSY - CLASSIC (NAVY)	Color discontinued as of Sept 2011, parts only
1-13C	9180112003	SUNSHADE ASSY - ORIGINAL (TEAL)	Color discontinued as of Sept 2011, parts only
1-13C	103804	SUNSHADE ASSY - RED/BLACK	Color discontinued as of Sept 2011, parts only
1-13C	103805	SUNSHADE ASSY - KHAKI/SMOKE	Color discontinued as of Sept 2011, parts only



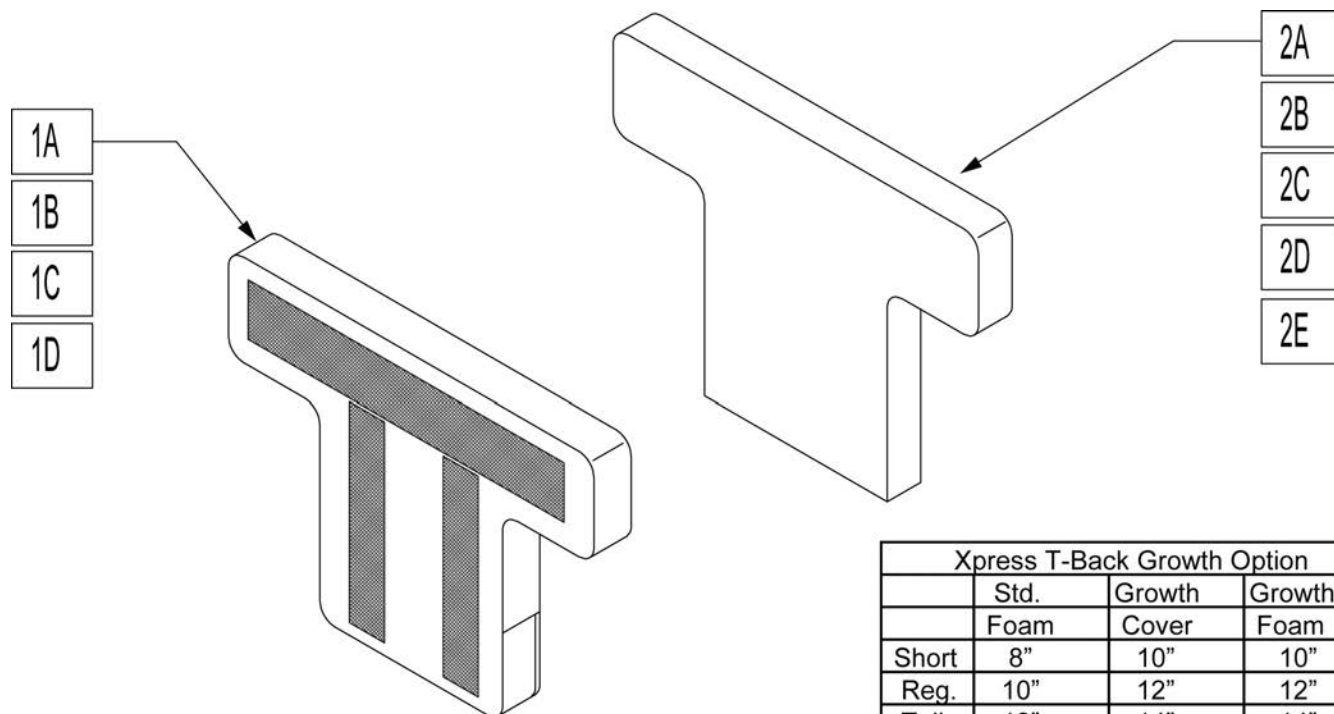
Pos.	Item Number	Description
1A-4	9180310901	LAP BELT - 1" x 19" - PLASTIC BUCKLE
1B-4	9180310903	LAP BELT - 1-1/2" x 19" - PLASTIC BUCKLE
1C-4	900065	LAP BELT - 1-1/2" x 35" AUTO-STYLE BUCKLE
1D-4	102686	LAP BELT - 1" x 35" AUTO-STYLE BUCKLE
2	9611000906	MACH SCREW 1/4-20 x 3/8 SBHCS ZPS
3	106944	WASHER FLAT THIN AN 1/4 ROHS
4	9650701012	NYLOCK NUT, LOW 1/4-20 ZPS

NOTE: A TRANSIT SHELL IS REQUIRED FOR TRANSIT APPROVAL.



Pos.	Item Number	Description
1	9180316002	STRAP 1-1/2"
2	9339150001	CHEST BUCKLE
3	9340150001	PUSH BUTTON BUCKLE
4	9650501012	NYLOCK NUT, LOW 1/4-20 ZPS
5	9180310302	TRANSIT HARNESS ATTACHMENT ASSY
6	106944	WASHER FLAT THIN AN 1/4 ROHS
7	9611000914	MACH SCREW 1/4-20 x 7/8 SBHCS ANS
8	920682	VELCRO® KIT - XPRESS FOOTBED
9	9531301001	SEAT MOUNTING BAR - XP
10	9612000912	MACH SCREW 1/4-20 x 3/4 FHS ANS
1-3	900066	CHEST STRAP ASSEMBLY
1-7	920681	TRANSIT STRAP ASSEMBLY w/HDWR

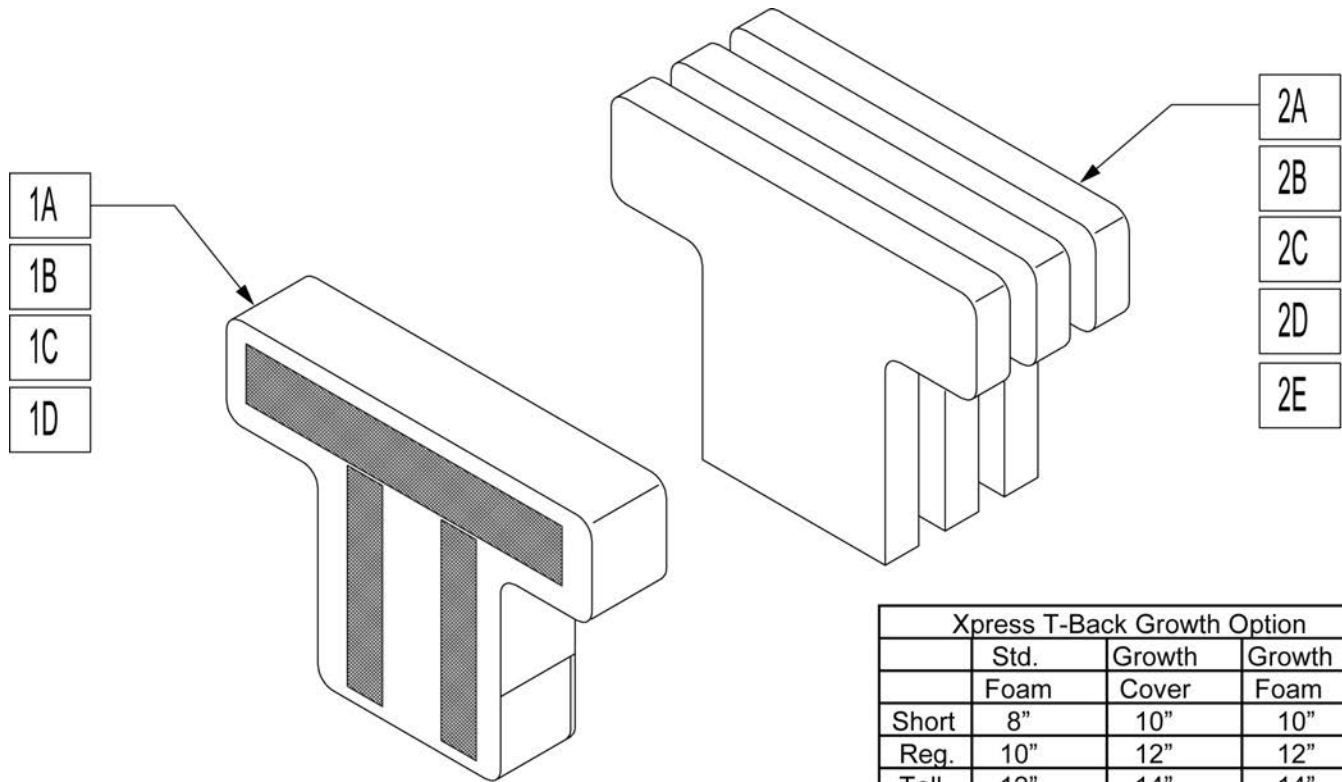
Note: Gray and Navy upholstery discontinued as of Sept 2011 available as replacement parts only.



	Std. Foam	Growth Cover	Growth Foam
Short	8"	10"	10"
Reg.	10"	12"	12"
Tall	12"	14"	14"
X-Tall	16"	16"	N/A

Pos.	Item Number	Description	Pos.	Item Number	Description
1A	211268	TBACK COVER 1 SHORT NAVY	2D	750802	T-BACK GROWTH FOAM, TALL
1A	211269	TBACK COVER 1 SHORT GRAY	2E	750807	T-BACK FOAM, X-TALL
1A	9170501106	T-BACK COVER 1", SHORT - BLACK	1A, 2A, 2B	211276	TBACK ASSY 1 SHORT NAVY
1B	211270	TBACK COVER 1 REG NAVY	1A, 2A, 2B	211277	TBACK ASSY 1 SHORT GRAY
1B	211271	TBACK COVER 1 REG GRAY	1A, 2A, 2B	9161027102	T-BACK ASSY 1" SHORT - BLACK
1B	751007	T-BACK COVER 1", REG - BLACK	1B, 2B, 2C	680006	TBACK ASSY 1 REG NAVY
1C	751012	TBACK COVER 1 TALL NAVY	1B, 2B, 2C	680008	TBACK ASSY 1 REG GRAY
1C	751016	TBACK COVER 1 TALL GRAY	1B, 2B, 2C	680010	T-BACK ASSY 1" REG - BLACK
1C	751008	T-BACK COVER 1", TALL - BLACK	1C, 2C, 2D	680007	TBACK ASSY 1 TALL NAVY
1D	211274	TBACK COVER 1 XTALL NAVY	1C, 2C, 2D	211281	TBACK ASSY 1 TALL GRAY
1D	211275	TBACK COVER 1 XTALL GRAY	1C, 2C, 2D	680011	T-BACK ASSY 1" TALL - BLACK
1D	751052	T-BACK COVER 1", X-TALL - BLACK	1D, 2D, 2E	680076	TBACK ASSY 1 XTALL NAVY
2A	9490110101	T-BACK FOAM, SHORT	1D, 2D, 2E	211283	TBACK ASSY 1 XTALL GRAY
2B	750800	T-BACK FOAM, REG	1D, 2D, 2E	680078	T-BACK ASSY 1" X-TALL - BLACK
2C	750801	T-BACK FOAM, TALL			

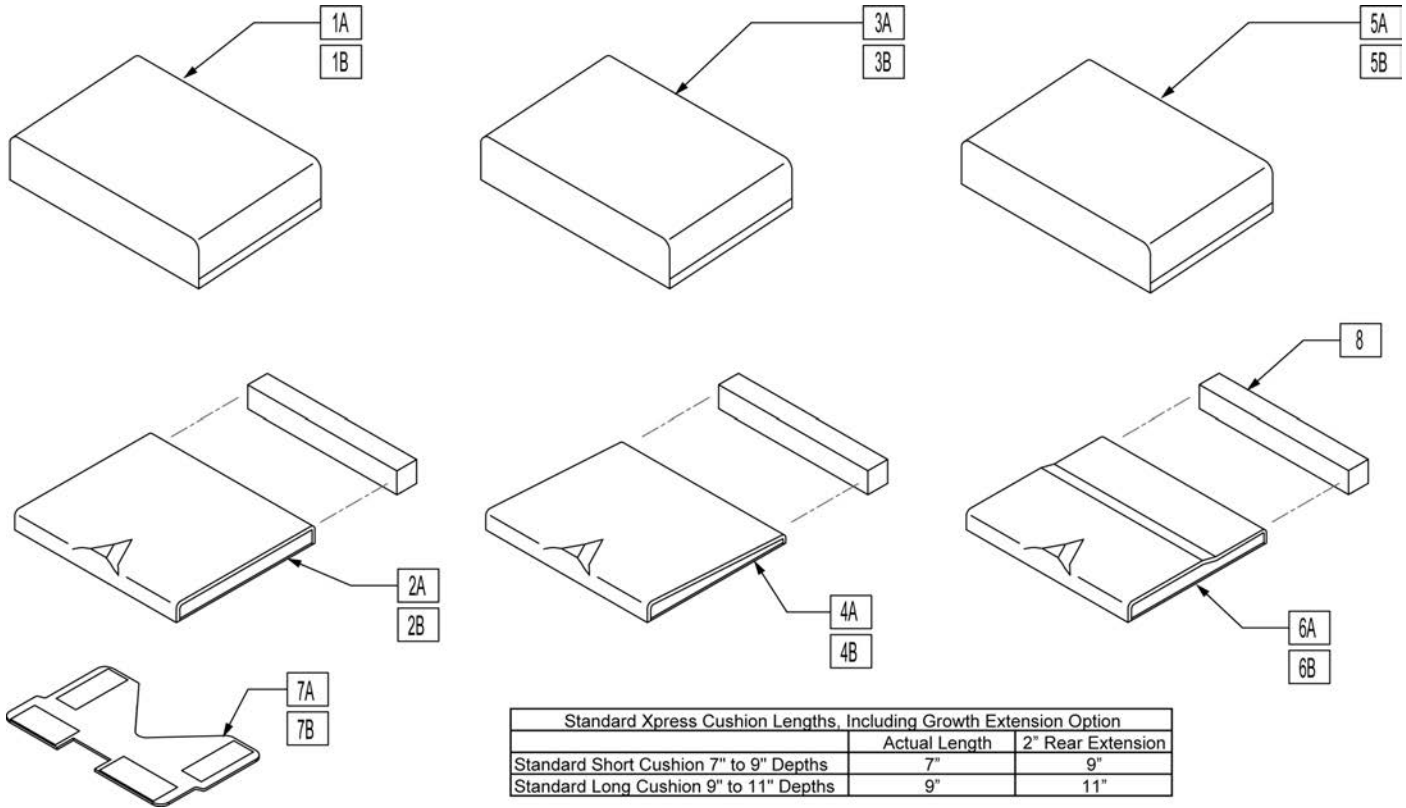
Note: Gray and Navy upholstery discontinued as of Sept 2011 available as replacement parts only.



	Std.	Growth	Growth
	Foam	Cover	Foam
Short	8"	10"	10"
Reg.	10"	12"	12"
Tall	12"	14"	14"
X-Tall	16"	16"	N/A

Pos.	Item Number	Description	Pos.	Item Number	Description
1A	211284	TBACK COVER 2-1/2 SHORT NAVY	2D	750802	T-BACK GROWTH FOAM, TALL
1A	211285	TBACK COVER 2-1/2 SHORT GRAY	2E	750807	T-BACK FOAM, X-TALL
1A	9170501105	T-BACK COVER 2-1/2", SHORT - BLACK	1A, 2A, 2B	9161027301	TBACK ASSY 2-1/2 SHORT NAVY
1B	751013	TBACK COVER 2-1/2 REG NAVY	1A, 2A, 2B	9161027701	TBACK ASSY 2-1/2 SHORT GRAY
1B	751017	TBACK COVER 2-1/2 REG GRAY	1A, 2A, 2B	9161027101	T-BACK ASSY 2-1/2", SHORT - BLACK
1B	751009	T-BACK COVER 2-1/2", REG - BLACK	1B, 2B, 2C	680000	TBACK ASSY 2-1/2 REG NAVY
1C	751014	TBACK COVER 2-1/2 TALL NAVY	1B, 2B, 2C	680002	TBACK ASSY 2-1/2 REG GRAY
1C	211289	TBACK COVER 2-1/2 TALL GRAY	1B, 2B, 2C	680004	T-BACK ASSY 2-1/2", REG - BLACK
1C	751010	T-BACK COVER 2-1/2", TALL - BLACK	1C, 2C, 2D	680001	TBACK ASSY 2-1/2 TALL NAVY
1D	211290	TBACK COVER 2-1/2 XTALL NAVY	1C, 2C, 2D	680003	TBACK ASSY 2-1/2 TALL GRAY
1D	751054S	TBACK COVER 2-1/2 XTALL GRAY	1C, 2C, 2D	680005	T-BACK ASSY 2-1/2", TALL - BLACK
1D	751055	T-BACK COVER 2-1/2", X-TALL - BLACK	1D, 2D, 2E	680079	TBACK ASSY 2-1/2 XTALL NAVY
2A	9490110101	T-BACK FOAM, SHORT	1D, 2D, 2E	680081	TBACK ASSY 2-1/2 XTALL GRAY
2B	750800	T-BACK FOAM, REG	1D, 2D, 2E	680083	T-BACK ASSY 2-1/2", X-TALL - BLACK
2C	750801	T-BACK FOAM, TALL			

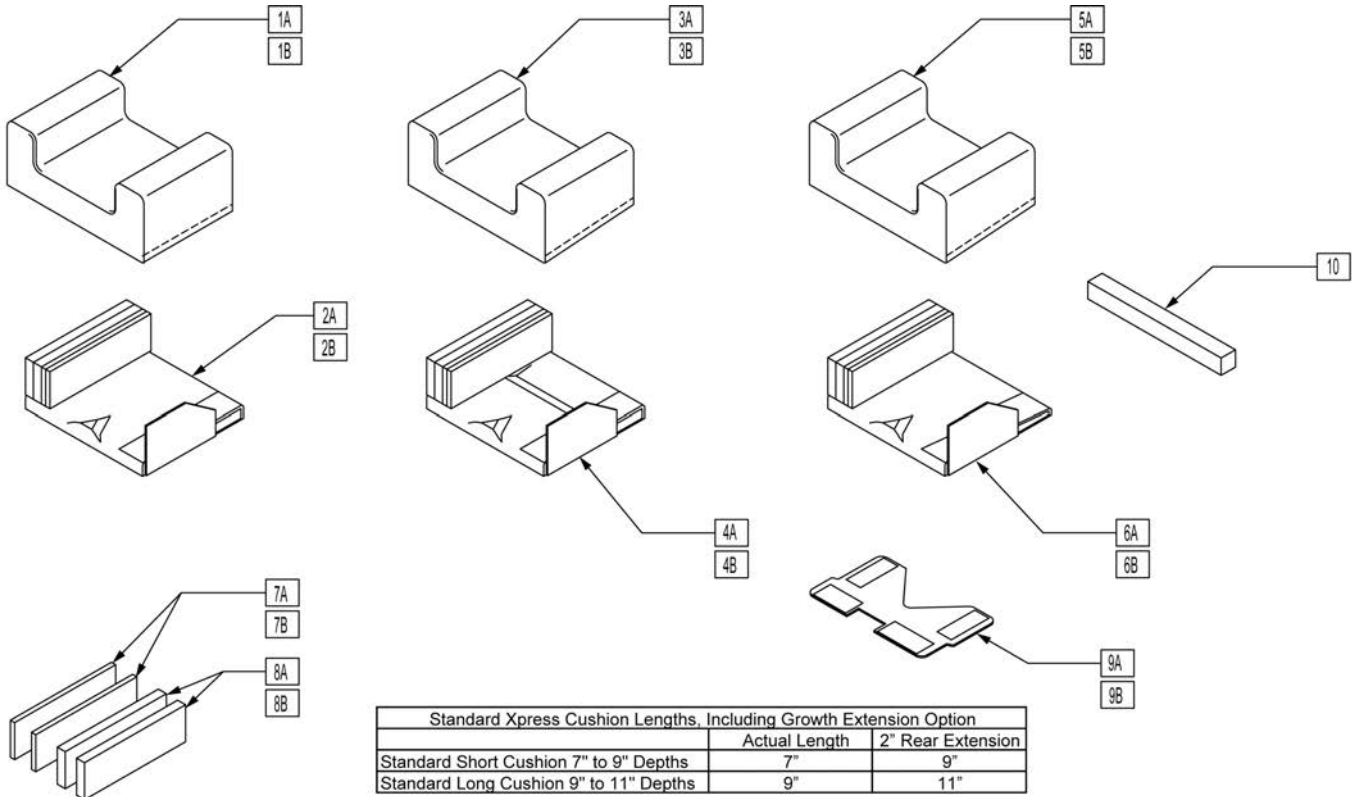
Note: To determine shortest seat depth: 1" thick T-Back takes up 0" seat depth; 2.5" thick T-Back takes up 1.5" seat depth
Note: Navy and Gray upholstery discontinued as of Sept 2011 available as replacement parts only.



Pos.	Item Number	Description	Remarks
1A	211300	SEAT COVER SHORT NAVY	
1B	211301	SEAT COVER SHORT GRAY	
1C	103691	SEAT COVER, SHORT - BLACK	
1D	9170418103	SEAT COVER LONG NAVY	
1E	211303	SEAT COVER LONG GRAY	
1F	103694	SEAT COVER, LONG - BLACK	
2A	101193	STANDARD CUSHION, SHORT	
2B	101203	STANDARD CUSHION, LONG	
3A	211304	WEDGE SEAT COVER SHORT NAVY	
3B	211305	WEDGE SEAT COVER SHORT GRAY	
3C	9170401120	WEDGE SEAT COVER, SHORT - BLACK	
3D	211306	WEDGE SEAT COVER LONG NAVY	
3E	9170412102	WEDGE SEAT COVER, LONG - GRAY	
3F	9170401121	WEDGE SEAT COVER, LONG - BLACK	
4A	9161017003	WEDGE CUSHION, SHORT	
4B	9161017005	WEDGE CUSHION, LONG	
5A	211307	LEDGE SEAT COVER SHORT NAVY	
5B	211308	LEDGE SEAT COVER SHORT GRAY	
5C	9170401122	LEDGE SEAT COVER, SHORT - BLACK	
5D	9170418108	LEDGE SEAT COVER, LONG - NAVY	
5E	9170412104	LEDGE SEAT COVER, LONG - GRAY	
5F	9170401123	LEDGE SEAT COVER, LONG - BLACK	

Pos.	Item Number	Description	Remarks
6A	9161017004	LEDGE CUSHION, SHORT	
6B	9161017006	LEDGE CUSHION, LONG	
7A	9555101001	SEAT CUSHION TRAY, SHORT	
7B	9555111101	SEAT CUSHION TRAY, LONG	
8	9490602021	2" x 2" x 10" SEAT REAR EXT FOAM	
9	900032	SEAT CUSHION VELCRO® KIT	not shown
1A,2A,7A-9	101192-002	STD SEAT CUSHION SHORT NAVY	
1B,2A,7A-9	211310	STD SEAT CUSHION SHORT GRAY	
1C,2A,7A-9	102905	STD SEAT CUSHION, SHORT - BLACK	
1D,2B,7B-9	211311	STD SEAT CUSHION LONG NAVY	
1E,2B,7B-9	211312	STD SEAT CUSHION LONG GRAY	
1F,2B,7B-9	103690	STD SEAT CUSHION, LONG - BLACK	
3A,4A,7A-9	211313	WEDGE SEAT CUSHION SHORT NAVY	
3B,4A,7A-9	900025	WEDGE SEAT CUSHION, SHORT - GRAY	
3C,4A,7A-7	103788	WEDGE SEAT CUSHION, SHORT - BLACK	
3D,4B,7B-9	211314	WEDGE SEAT CUSHION LONG NAVY	
3E,4B,7B-9	900027	WEDGE SEAT CUSHION, LONG - GRAY	
3F,4B,7B-9	103789	WEDGE SEAT CUSHION, LONG - BLACK	
5A,6A,7A-9	211315	LEDGE SEAT CUSHION SHORT NAVY	
5B,6A,7A-9	900029	LEDGE SEAT CUSHION, SHORT - GRAY	
5C,6A,7A-9	103790	LEDGE SEAT CUSHION, SHORT - BLACK	
5D,6B,7B-9	211316	LEDGE SEAT CUSHION LONG NAVY	
5E,6B,7B-9	900031	LEDGE SEAT CUSHION, LONG - GRAY	
5F,6B,7B-9	103791	LEDGE SEAT CUSHION, LONG - BLACK	

Note: To determine shortest seat depth: 1" thick T-Back takes up 0" seat depth; 2.5" thick T-Back takes up 1.5" seat depth
Note: Navy and Gray upholstery discontinued as of Sept 2011 available as replacement parts only.

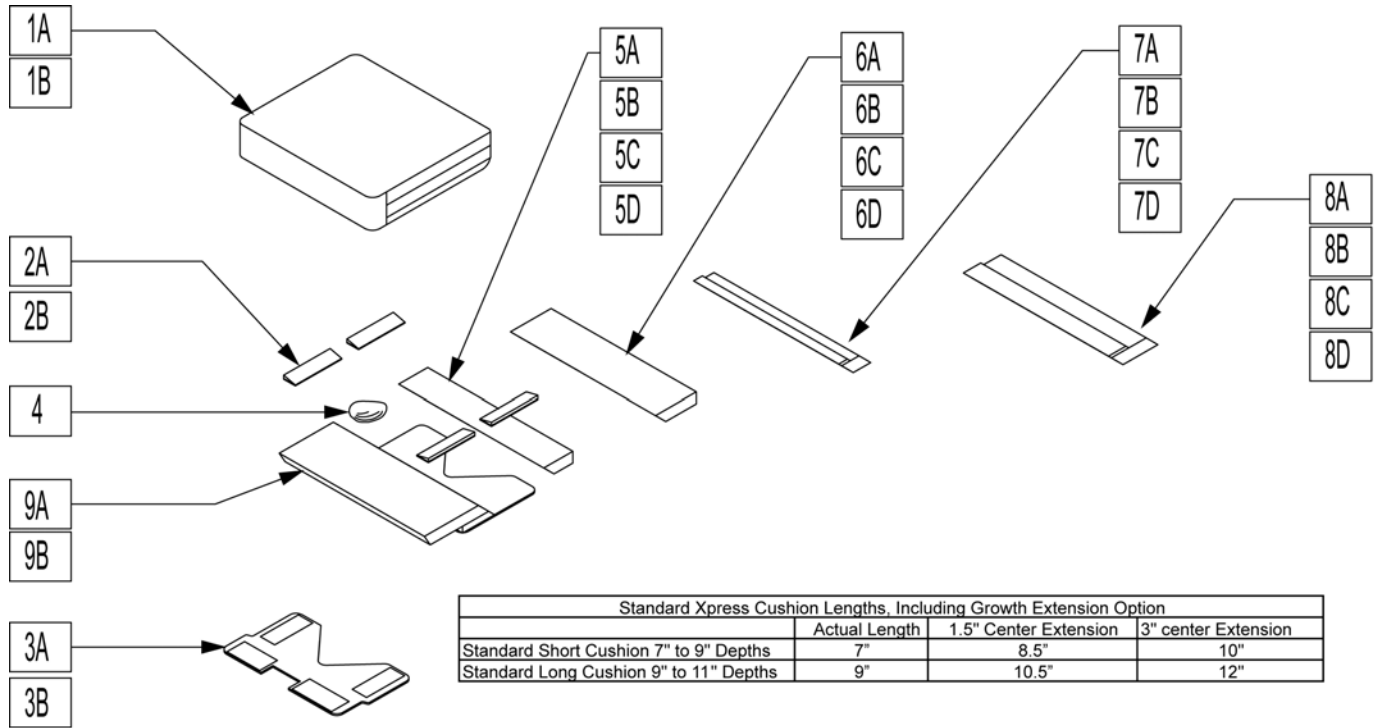


Standard Xpress Cushion Lengths, Including Growth Extension Option		
	Actual Length	2" Rear Extension
Standard Short Cushion 7" to 9" Depths	7"	9"
Standard Long Cushion 9" to 11" Depths	9"	11"

Pos.	Item Number	Description	Remarks
1A	211317	SEAT COVER SHORT NAVY	
1A	211318	SEAT COVER SHORT GRAY	
1A	9170401116	SEAT COVER, SHORT - BLACK	
1B	9170418102	SEAT COVER LONG NAVY	
1B	211320	SEAT COVER LONG GRAY	
1B	9170401117	SEAT COVER, LONG - BLACK	
2A	9161017001	STANDARD CUSHION, SHORT	
2B	9161017002	STANDARD CUSHION, LONG	
3A	211321	WEDGE SEAT COVER SHORT NAVY	
3A	9170412101	WEDGE SEAT COVER, SHORT - GRAY	
3A	9170401120	WEDGE SEAT COVER, SHORT - BLACK	
3B	211322	WEDGE SEAT COVER LONG NAVY	
3B	211323	WEDGE SEAT COVER LONG GRAY	
3B	9170401121	WEDGE SEAT COVER, LONG - BLACK	
4A	9161017003	WEDGE CUSHION, SHORT	
4B	9161017005	WEDGE CUSHION, LONG	
5A	9170418107	LEDGE SEAT COVER, SHORT - NAVY	
5A	9170412103	LEDGE SEAT COVER, SHORT - GRAY	
5A	9170401122	LEDGE SEAT COVER, SHORT - BLACK	
5B	9170418108	LEDGE SEAT COVER LONG NAVY	
5B	211325	LEDGE SEAT COVER LONG GRAY	
5B	9170401123S	LEDGE SEAT COVER, LONG - BLACK	
6A	9161017004	LEDGE CUSHION, SHORT	

Pos.	Item Number	Description	Remarks
6B	9161017006	LEDGE CUSHION, LONG	
7A	9490703072	ADDUCTOR FOAM - 7" x 3/8"	
7B	9490703092	ADDUCTOR FOAM - 9" x 3/8"	
8A	9490703071	ADDUCTOR FOAM - 7" x 3/4"	
8B	9490703091	ADDUCTOR FOAM - 9" x 3/4"	
9A	9555101001	SEAT CUSHION TRAY, SHORT	
9B	9555111101	SEAT CUSHION TRAY, LONG	
10	9490602021	2" x 2" x 10" SEAT REAR EXT FOAM	
11	900032	SEAT CUSHION VELCRO® KIT	not shown
1A,2A,7-9(A),10	211326	STD SEAT CUSHION SHORT NAVY	
1A,2A,7-9(A),10	211327	STD SEAT CUSHION SHORT GRAY	
1A,2A,7-9(A),10	103786	STD SEAT CUSHION, SHORT - BLACK	
1B,2B,7-9(B),10	211328	STD SEAT CUSHION LONG NAVY	
1B,2B,7-9(B),10	211329	STD SEAT CUSHION LONG GRAY	
1B,2B,7-9(B),10	103787	STD SEAT CUSHION, LONG - BLACK	
3A,4A,7-9(A),10	900024	WEDGE SEAT CUSHION, SHORT - NAVY	
3A,4A,7-9(A),10	211330	WEDGE SEAT CUSHION SHORT GRAY	
3A,4A,7-9(A),10	103788	WEDGE SEAT CUSHION, SHORT - BLACK	
3B,4B,7-9(B),10	900026	WEDGE SEAT CUSHION, LONG - NAVY	
3B,4B,7-9(B),10	211331	WEDGE SEAT CUSHION LONG GRAY	
3B,4B,7-9(B),10	103789	WEDGE SEAT CUSHION, LONG - BLACK	
5A,6-9(A),10	900028	LEDGE SEAT CUSHION, SHORT - NAVY	
5A,6-9(A),10	211332	LEDGE SEAT CUSHION SHORT GRAY	
5A,6-9(A),10	103790	LEDGE SEAT CUSHION, SHORT - BLACK	
5B,6-9(B),10	900030	LEDGE SEAT CUSHION, LONG - NAVY	
5B,6-9(B),10	211333	LEDGE SEAT CUSHION LONG GRAY	
5B,6-9(B),10	103791	LEDGE SEAT CUSHION, LONG - BLACK	

Note: To determine shortest seat depth: 1" thick T-Back takes up 0" seat depth; 2.5" thick T-Back takes up 1.5" seat depth
Note: Gray and Navy upholstery discontinued as of Sept 2011 available as replacement parts only.



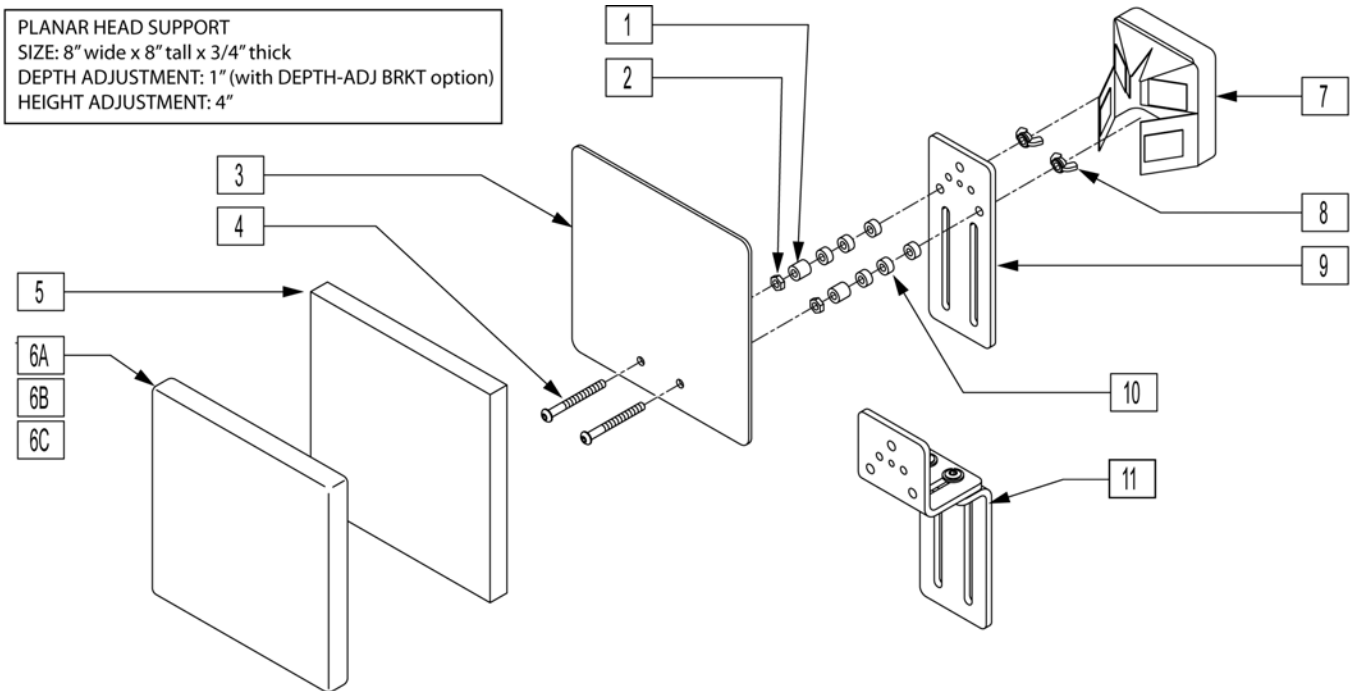
Standard Xpress Cushion Lengths, Including Growth Extension Option			
	Actual Length	1.5" Center Extension	3" center Extension
Standard Short Cushion 7" to 9" Depths	7"	8.5"	10"
Standard Long Cushion 9" to 11" Depths	9"	10.5"	12"

Pos.	Item Number	Description	Remarks
1A	9170418103	XPRESS SEAT COVER SHORT NAVY	
1A	211335	XPRESS SEAT COVER SHORT GRAY	
1A	9170401118	XPRESS SEAT COVER, SHORT BLACK	
1B	211336	XPRESS SEAT COVER LONG NAVY	
1B	211337	XPRESS SEAT COVER LONG GRAY	
1B	9170401119	XPRESS SEAT COVER, LONG BLACK	
2A	9490903011	ADDUCTION WEDGE, SMALL	
2B	9490904011	ADDUCTION WEDGE, LARGE	
3A	9555101001	SEAT CUSHION, SHORT TRAY	
3B	9555111101	SEAT CUSHION, LONG TRAY	
4	9490901011	SEAT CUSHION, ABDUCTOR	
5A	900083	REAR FOAM, SHORT - IV1	
5B	900084	REAR FOAM, SHORT - MED	
5C	900085	REAR FOAM, SHORT - MED/SOFT	
5D	900086	REAR FOAM, SHORT - SOFT	
6A	900087	REAR FOAM, LONG - IV1	
6B	900088	REAR FOAM, LONG - MED	
6C	900089	REAR FOAM, LONG - MED/SOFT	
6D	900090	REAR FOAM, LONG - SOFT	
7A	900091	SMALL GROWTH EXT - IV1	
7B	900092	SMALL GROWTH EXT - MED	
7C	900093	SMALL GROWTH EXT - MED/SOFT	
7D	900094	SMALL GROWTH EXT - SOFT	

Pos.	Item Number	Description	Remarks
8A	900095	LARGE GROWTH EXT - IV1	
8B	900096	LARGE GROWTH EXT - MED	
8C	900097	LARGE GROWTH EXT - MED/SOFT	
8D	900098	LARGE GROWTH EXT - SOFT	
9A	900108	SEAT SUP PLATE ASSM - SHORT	
9B	900109	SEAT SUP PLATE ASSM - LONG	
10	900110	SEAT SUP PLATE VELCRO® KIT	not shown
1A,2-3A,4,5A,7A,9A,10	900321	XPRESS SEAT SHORT NAVY IV1 XP	
1A,2-3A,4,5B,7B,9A,10	900322	XPRESS SEAT SHORT NAVY MED XP	
1A,2-3A,4,5C,7C,9A,10	900323	XPRESS SEAT SHORT NAVY M/S XP	
1A,2-3A,4,5D,7D,9A,10	900324	XPRESS SEAT SHORT NAVY SFT XP	
1A,2-3A,4,5A,7A,9A,10	900325	XPRESS SEAT SHORT CHAR IV1 XP	
1A,2-3A,4,5B,7B,9A,10	900326	XPRESS SEAT SHORT CHAR MED XP	
1A,2-3A,4,5C,7C,9A,10	900327	XPRESS SEAT SHORT CHAR M/S XP	
1A,2-3A,4,5D,7D,9A,10	900328	XPRESS SEAT SHORT CHAR SFT XP	
1A,2-3A,4,5A,7A,9A,10	103792	XPRESS SEAT, SHORT - IV1 - BLACK	
1A,2-3A,4,5B,7B,9A,10	103793	XPRESS SEAT, SHORT - MED - BLACK	
1A,2-3A,4,5C,7C,9A,10	103794	XPRESS SEAT, SHORT - M/S - BLACK	
1A,2-3A,4,5D,7D,9A,10	103795	XPRESS SEAT, SHORT - SOFT - BLACK	
1B,2-3B,4,6A,8A,9B,10	900329	XPRESS SEAT, LONG - IV1 - NAVY	
1B,2-3B,4,6C,8C,9B,10	900330	XPRESS SEAT LONG NAVY MED XP	
1B,2-3B,4,6D,8D,9B,10	900331	XPRESS SEAT LONG NAVY M/S XP	
1B,2-3B,4,6A,8A,9B,10	900332	XPRESS SEAT LONG NAVY SFT XP	
1B,2-3B,4,6B,8B,9B,10	900333	XPRESS SEAT LONG CHAR IV1 XP	
1B,2-3B,4,6C,8C,9B,10	900334	XPRESS SEAT LONG CHAR MED XP	
1B,2-3B,4,6D,8D,9B,10	900335	XPRESS SEAT LONG CHAR M/S XP	
1B,2-3B,4,6A,8A,9B,10	900336	XPRESS SEAT LONG CHAR SFT XP	
1B,2-3B,4,6B,8B,9B,10	103797	XPRESS SEAT, LONG - MED - BLACK	
1B,2-3B,4,6C,8C,9B,10	103798	XPRESS SEAT, LONG - M/S - BLACK	
1B,2-3B,4,6D,8D,9B,10	103808	XPRESS SEAT, LONG - SOFT - BLACK	

Note: Navy & Gray upholstery discontinued as of Sept 2011, available as replacement parts only.

Note: Effective for Xpress chairs prior to May 2007 with S/N without a letter on the end.

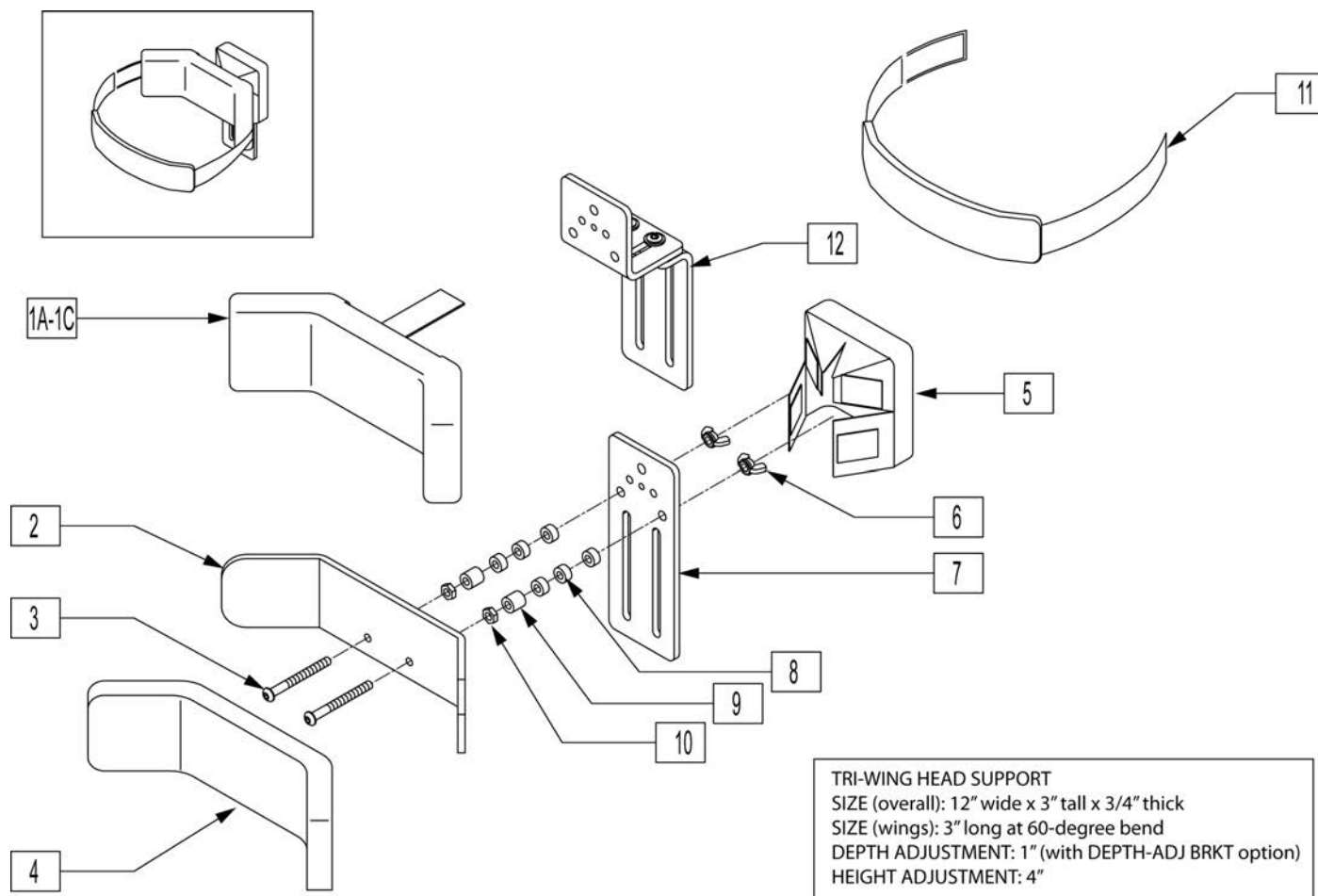


Pos.	Item Number	Description
1	9670320808	SPACER 1/4"x1/2"x1/2" NYLON
2	9650001012	HEX NUT 1/4-20 ZPS
3	9553080801	PLANAR H/S 8" x 8" - PLASTIC
4	9611000940	MACH SCREW 1/4-20 x 2-1/2 SBHCS ANS
5	9490408081	PLANAR HEAD SUPPORT FOAM
6A	211354	PLANAR HEAD SUPPORT COVER NAVY
6B	211355	PLANAR HEAD SUPPORT COVER GRAY
6C	9171001105	PLANAR HEAD SUPP COVER BLACK
7	9171001102	HEAD SUPPORT HDWR COVER - BLACK
8	9651101012	WING NUT 1/4-20 ZPS
9	9553070303	HEAD SUPPORT VERTICAL - TC
10	9670320804	SPACER 1/4"x1/2"x1/4" NYLON
1-6A,7-10	9161046301	PLANAR HEAD SUPPORT ASSY NAVY
1-6B,7-10	9161046705	PLANAR HEAD SUPPORT ASSY GRAY
11	882969	DEPTH-ADJ H/R BRKT (OPTION) - XP

Note: Please contact Customer Service for custom sizing.

Note: Navy & Gray upholstery discontinued as of Sept 2011 available as replacement parts only.

Note: Effective for Xpress chairs prior to May 2007 with S/N without a letter on the end.



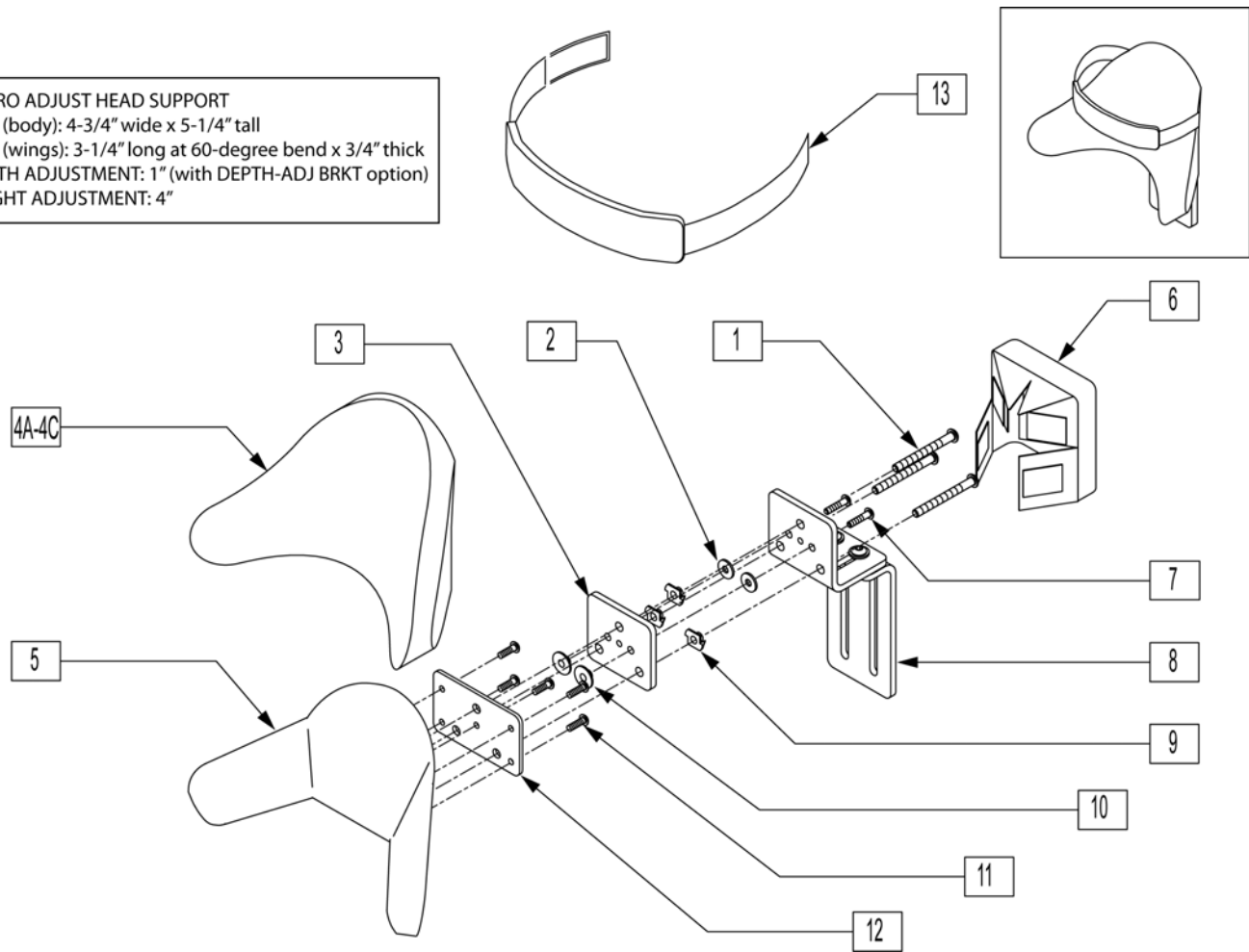
TRI-WING HEAD SUPPORT
 SIZE (overall): 12" wide x 3" tall x 3/4" thick
 SIZE (wings): 3" long at 60-degree bend
 DEPTH ADJUSTMENT: 1" (with DEPTH-ADJ BRKT option)
 HEIGHT ADJUSTMENT: 4"

Pos.	Item Number	Description	Remarks
1A	9171018102	TRI-WING H/S COVER - NAVY	
1B	9171012101	TRI-WING H/S COVER - GRAY	
1A	9171018104	TRI-WING H/S COVER HALO NAVY	Halo Strap not included
1B	9171012104	TRI-WING H/S COVER HALO GRAY	Halo Strap not included
1C	9171001101S	TRI-WING HEAD SUPP COVER BLACK	
1C,11	923641	T-WING H/SUPP CVR BLACK W/HALO	Halo Strap not included
2	9553120201	TRI-WING H/S 2.5" x 12" - PLASTIC	
3	9611000940	MACH SCREW 1/4-20 x 2-1/2 SBHCS ANS	
4	9490303121	TRI-WING HEAD SUPPORT FOAM	
5	9171001102	HEAD SUPPORT HDWR COVER - BLACK	
6	9651101012	WING NUT 1/4-20 ZPS	
7	9553070303	HEAD SUPPORT VERTICAL - TC	
8	9670320804	SPACER 1/4"x1/2"x1/4" NYLON	
9	9670320808	SPACER 1/4"x1/2"x1/2" NYLON	
10	9650001012	HEX NUT 1/4-20 ZPS	
11	9180312001	HALO STRAP 3/4" - BLACK	
12	882969	DEPTH ADJ H/R BRKT (OPTION) - XP	

Pos.	Item Number	Description	Remarks
1A-10	9161046302	TRI-WING HEAD SUPPORT ASY NAVY	
1B-10	9161046706	TRI-WING HEAD SUPPORT ASY GRAY	
1C-11	923664	TRI-WING H/S ASSY w/HALO NAVY	
1D-11	923665	TRI-WING H/S ASSY w/HALO GRAY	
1E-11	9161046101	HEAD SUPPORT TRI-WING BLACK	
1F-11	923661	HEAD SUPP T-WING BLACK W/HALO	

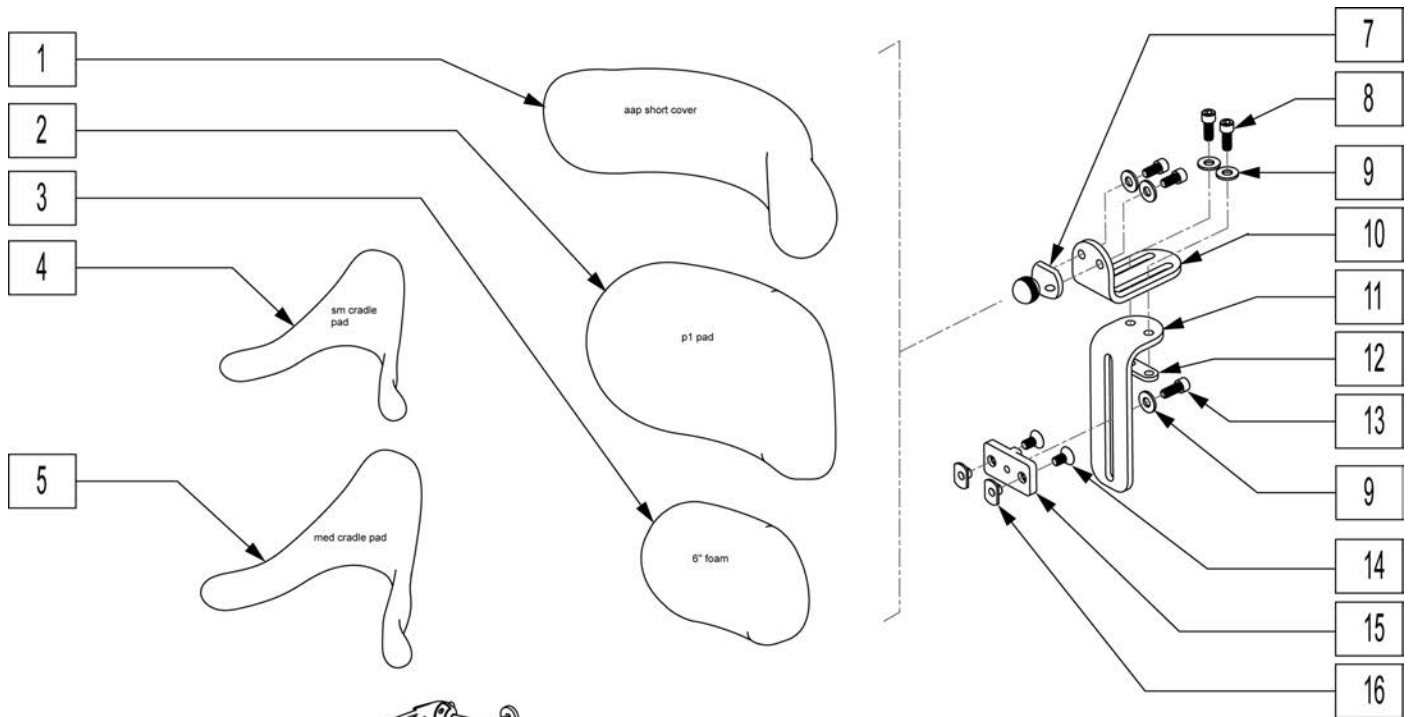
Note: Navy & Gray upholstery discontinued as of Sept 2011, available as replacement parts only.
Note: Effective for Xpress chairs prior to May 2007 with S/N without a letter on the end.

MICRO ADJUST HEAD SUPPORT
 SIZE (body): 4-3/4" wide x 5-1/4" tall
 SIZE (wings): 3-1/4" long at 60-degree bend x 3/4" thick
 DEPTH ADJUSTMENT: 1" (with DEPTH-ADJ BRKT option)
 HEIGHT ADJUSTMENT: 4"



Pos.	Item Number	Description	Remarks
1	9611000940	MACH SCREW 1/4-20 x 2-1/2 SBHCS ANS	
2	106944	WASHER FLAT THIN AN 1/4 ROHS	
3	9553020301	HEAD SUPPORT VERTICAL SPACER	
4A	9171012102	MICRO ADJ H/S COVER - GRAY	
4B	9171018103	MICRO ADJ H/S COVER - NAVY	
4C	211367	MICRO ADJ H/S COVER HALO NAVY	Halo Strap not included
4D	211368	MICRO ADJ H/S COVER HALO GRAY	Halo Strap not included
4E	9171001103S	MICRO HEAD SUPP COVER BLACK	
4F	923645	MICRO H/SUPP CVR BLACK W/HALO	Halo Strap not included
5	9553120601	ABS SUPPORT 6" x 12.5" w/PADS	
6	9171001102	HEAD SUPPORT HDWR COVER - BLACK	
7	9611000612	MACH SCREW #10-24 x 3/4 SBHCS ANS	
8	882969	DEPTH ADJ HEADREST BRACKET - XP	
9	9682160105	T-NUT 1/4-20 x 7/16 SB 2-BARB ZPS	
10	9681100105	T-NUT #10-24 x 5/16 ROUND ZPS	
11	9611000608	MACH SCREW #10-24 x 1/2 SBHCS ANS	
12	9553040203	H/S BACKING PLATE - OUTER	

Pos.	Item Number	Description	Remarks
13	9180312001	HALO STRAP 3/4" - BLACK	
1-4A,5-12	9161046707	MICRO ADJ H/S ASSY - GRAY	
1-4B,5-12	9161046303	MICRO ADJ H/S ASSY - NAVY	
1-4A,5-13	211371	MICRO ADJ H/S ASSY w/HALO - NAVY	
1-4B,5-13	211372	MICRO ADJ H/S ASSY w/HALO - GRAY	
1-4C,5-12	9161046102	HEAD SUPPORT MICRO ADJ BLACK	
1-4C,5-13	923665	HEAD SUPP MICRO BLACK W/HALO	

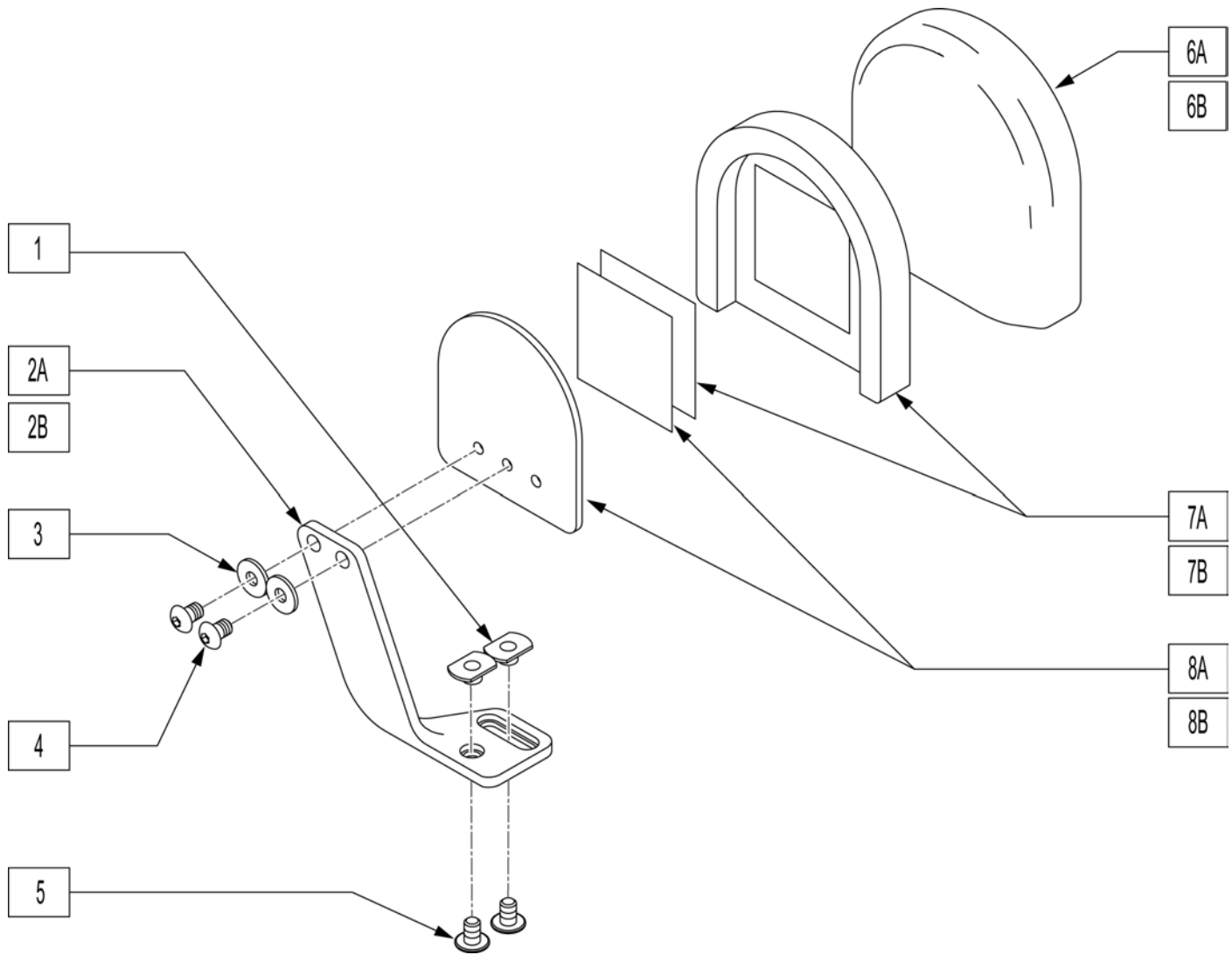


WHITMYER HEAD SUPPORT PAD SIZES (approximate)

1. Adjust-A-Plush: 15" wide x 3-1/4" tall x 0"-to-4" deep (adjustable) x 2-1/2" thick
2. 10" Plush: 9-1/4" wide x 5" tall x 1-1/4" deep x 1-3/4" thick
3. 8" Plush: 7-1/2" wide x 5" tall x 1" deep x 1-3/4" thick
4. Contour Cradle-Small: 8-1/2" wide x 5-1/2" tall x 2-1/4" deep x 5/8" thick
5. Contour Cradle-Medium: 10" wide x 6-1/4" tall x 3-1/4" deep x 5/8" thick

Pos.	Item Number	Description	Pos.	Item Number	Description
1	WH-P8044L	ADJUST-A-PLUSH PAD NARROW - ASSY	10	102757	HEAD SUPPORT - HORIZONTAL
1	PC8044L	ADJUST-A-PLUSH - COVER ONLY	11	102756	HEAD SUPPORT - VERTICAL
2	WH-P1000L	10" PLUSH PAD - ASSEMBLY	12	WH-MF014754	NUT 1/4-28 SLIDE, DUAL - 3/4" CENTERS
2	PC1000L	10" PLUSH - COVER ONLY	14	226072	MACH SCREW 1/4-20 x 1/2 FHCSS ANS
3	WH-P800L	8" PLUSH PAD - ASSEMBLY	15	102753	HEAD SUPPORT MOUNT
3	PC800L	8" PLUSH - COVER ONLY	16	9683120104	T-NUT 1/4-20 x 1/4 SLOT BASE ANS
4	WH-P200L	CONTOUR CRADLE PAD - SM ASSY	7-16	102751	HEAD SUPPORT BRACKET ASSEMBLY
4	PC200L	CONTOUR CRADLE - SM, COVER ONLY	1, 7-16	102761	WB SML A-A-P PAD & BRACKET
5	WH-P300L	CONTOUR CRADLE PAD - MED ASSY	2, 7-16	102758	WB 10" PLUSH PAD & BRACKET
5	PC300L	CONTOUR CRADLE - MED, COVER ONLY	3, 7-16	102754	WB 8" PLUSH PAD & BRACKET
6	WH-DFSQ30	DFS2 PED SINGLE PAD w/HARDWARE	4, 7-16	102759	WB SM C-C PAD & BRACKET
7	WH-MF022100	1-1/4" SHORT SCREWBALL	5, 7-16	102760	WB MED C-C PAD & BRACKET
8	WH-MF014600	MACH SCREW 1/4-28 x 5/8 SHCS	9,13-16	102752	XP TLC HEADSUPPORT MOUNT ASM
9	WH-MF014650	WASHER 1/4" SAE, BLACK			

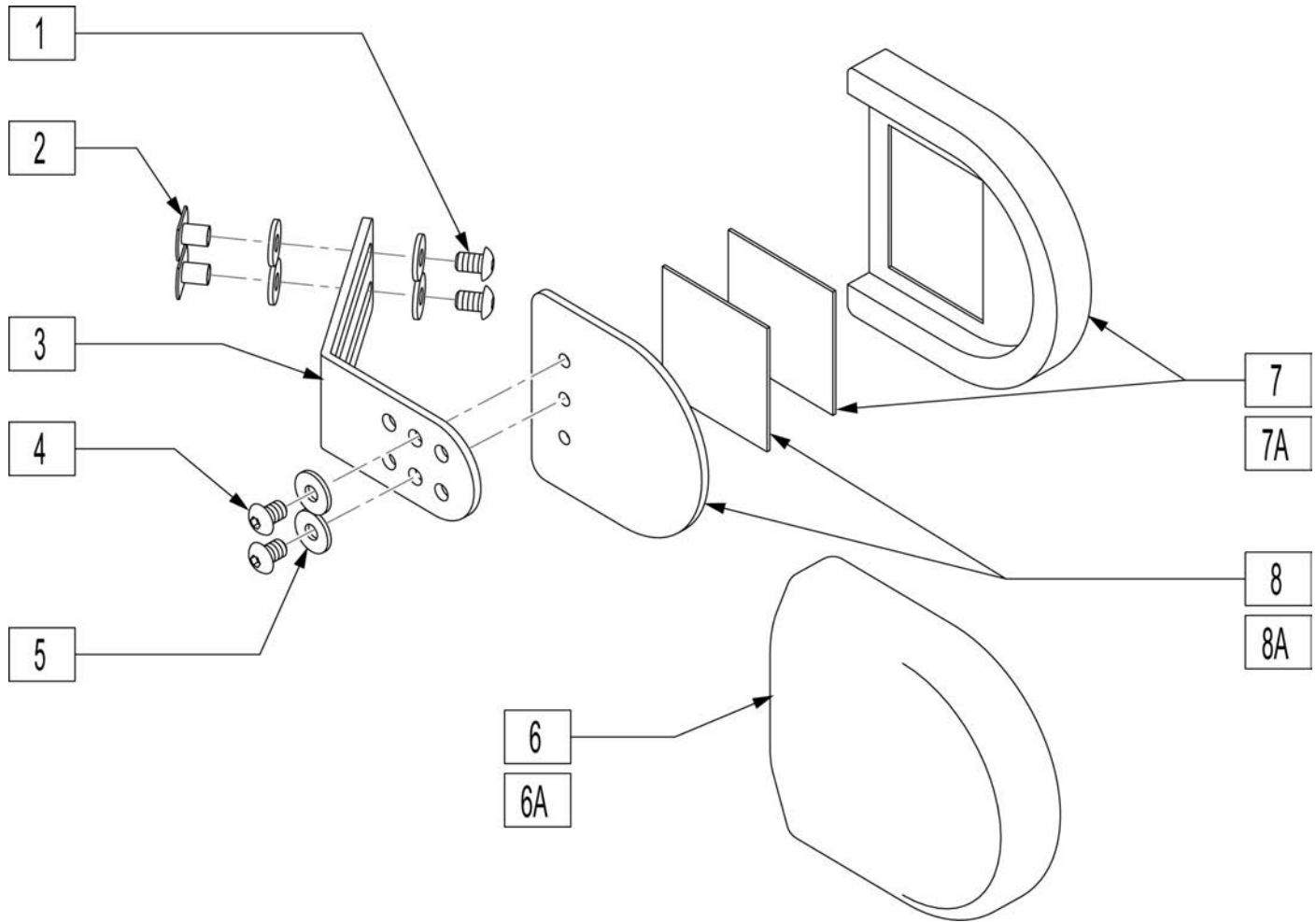
Note: Navy and Gray upholstery discontinued as of Sept 2011 available replacement as parts only.



Pos.	Item Number	Description	Remarks
1	9683120104	T-NUT 1/4-20 x 1/4 SLOT-BASE ZPS	
2	9510403001	KNEE ADDUCTION BLADE - L	
2	9510403002	KNEE ADDUCTION BLADE - R	
3	106944	WASHER FLAT THIN AN 1/4 ROHS	
4	9611000906	MACH SCREW 1/4-20 x 3/8 SBHCS ANS	
5	9619000906	MACH SCR 1/4-20 x 3/8 WA SBHCS ANS	
6A	9171418101	ADDUCTOR COVER, SMALL - NAVY	Xpress only
6B	211386	ADDUCTOR COVER, LARGE - NAVY	Xpress only
6A	9171412103	ADDUCTOR COVER, SMALL - GRAY	
6B	211388	ADDUCTOR COVER, LARGE - GRAY	
6A	9171401102	ADDUCTOR COVER, SMALL - BLACK	
6B	9171401103	ADDUCTOR COVER, LARGE - BLACK	
7A	882446	ADDUCTION PAD, SMALL B662	
7B	882447	ADDUCTION PAD, LARGE B672	

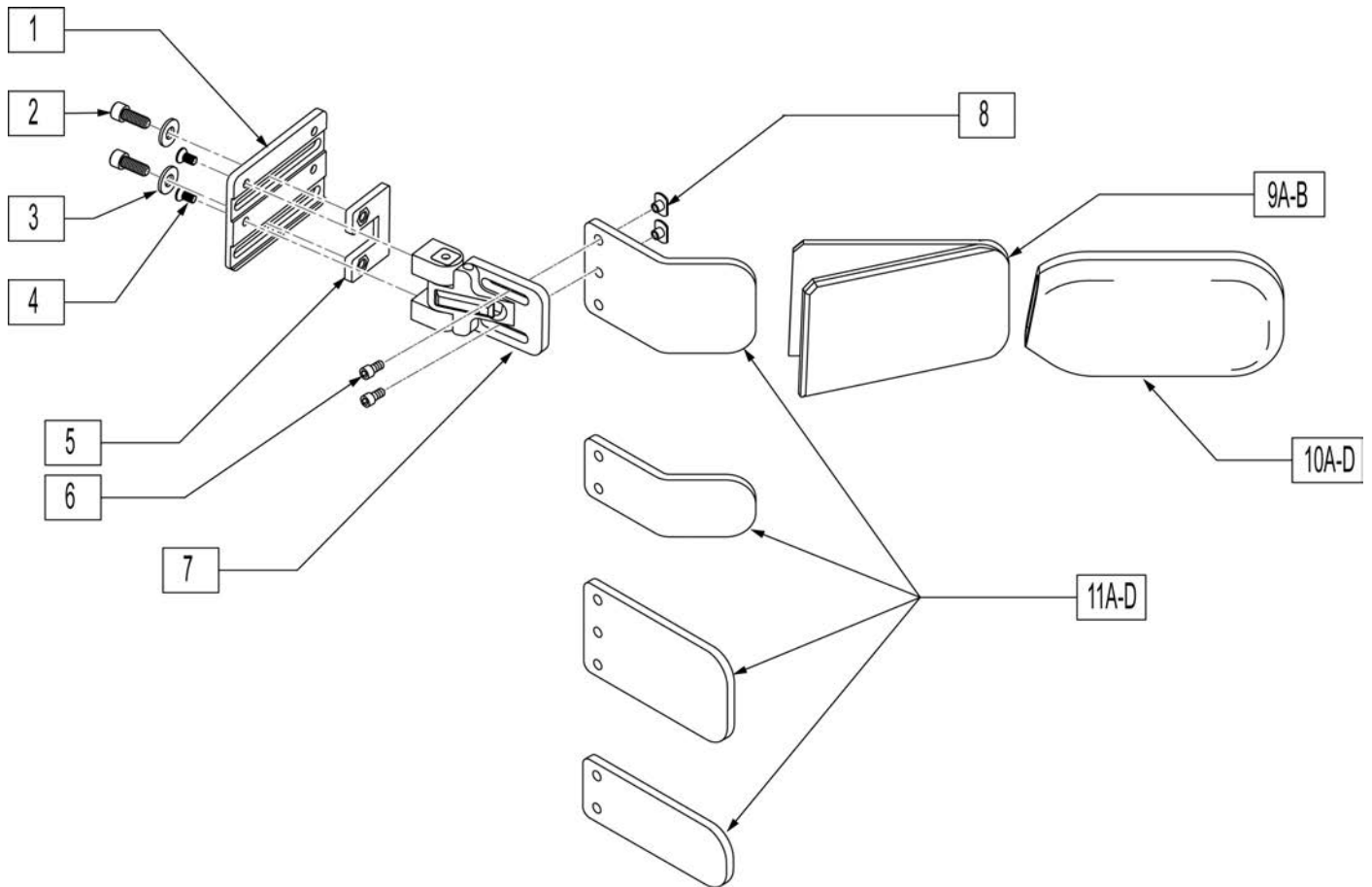
Pos.	Item Number	Description	Remarks
8A	882448	ADDUCTOR PLATE - SMALL	
8B	882449	ADDUCTOR PLATE - LARGE	
1-6A,7A,8A	9160092001	KNEE ADDUCTION PKG SM NAVY XP	Pair, Xpress only
1-6B,7B,8B	9160092002	KNEE ADDUCTION PKG LG NAVY XP	Pair, Xpress only
1-6C,7A,8A	9160093005	KNEE ADDUCTION PKG SM CHAR XP	Pair, Xpress only
1-6D,7B,8B	211384	KNEE ADDUCTOR, LARGE - GRAY - R	
1-6E,7A,8A	103838S	KNEE ADDUCTOR, SMALL - BLACK - R	
1-6F,7B,8B	103637	KNEE ADDUCTOR, LARGE - BLACK - R	
1-6A,7A,8A	211377	KNEE ADDUCTOR, SMALL - NAVY - L	Xpress only
1-6B,7B,8B	211378	KNEE ADDUCTOR, LARGE - NAVY - L	Xpress only
1-6C,7A,8A	211379	KNEE ADDUCTOR, SMALL - GRAY - L	
1-6D,7B,8B	211380	KNEE ADDUCTOR, LARGE - GRAY - L	
1-6E,7A,8A	103641	KNEE ADDUCTOR, SMALL - BLACK - L	
1-6F,7B,8B	103639	KNEE ADDUCTOR, LARGE - BLACK - L	
1-6B,7B,8B	211384	KNEE ADDUCTION PKG, LRG - GRAY	Pair
1-6A,7A,8A	103799	KNEE ADDUCTION PKG, SM - BLACK	Pair
1-6B,7B,8B	103800	KNEE ADDUCTION PKG, LRG - BLACK	Pair

Note: Navy and Gray upholstery discontinued as of Sept 2011 available replacement as parts only.



Pos.	Item Number	Description	Remarks
1	9611000910	MACH SCREW 1/4-20 x 5/8 SBHCS ANS	
2	9683120104	T-NUT 1/4-20 x 1/4 SLOT-BASE ZPS	
3	9510602002	HIP ADDUCTOR BLADE - XP	
4	9611000906	MACH SCREW 1/4-20 x 3/8 SBHCS ANS	
5	106944	WASHER FLAT THIN AN 1/4 ROHS	
6A	9171418101	ADDUCTOR COVER, SMALL - NAVY	XPRESS ONLY
6B	9171418102	ADDUCTOR COVER, LARGE - NAVY	XPRESS ONLY
6C	9171412103	ADDUCTOR COVER, SMALL - GRAY	
6D	9171412104	ADDUCTOR COVER, LARGE - GRAY	
6E	9171401102	ADDUCTOR COVER, SMALL - BLACK	
6F	9171401103	ADDUCTOR COVER, LARGE - BLACK	
7A	882446	ADDUCTION PAD, SMALL B662	
7B	882447	ADDUCTION PAD, LARGE B672	
8A	882448	SMALL ADDUCTOR PLATE	
8B	882449	LARGE ADDUCTOR PLATE	
1-6A,7A,8A	211389	HIP ADDUCTOR, SMALL - NAVY	single - XPRESS ONLY
1-6B,7B,8B	211390	HIP ADDUCTOR, LARGE - NAVY	single - XPRESS ONLY
1-6C,7A,8A	900047	HIP ADDUCTOR, SMALL - GRAY	single

Pos.	Item Number	Description	Remarks
1-6D,7B,8B	211392	HIP ADDUCTOR, LARGE - GRAY	single
1-6E,7A,8A	103636	HIP ADDUCTOR, SMALL - BLACK	single
1-6F,7B,8B	103635	HIP ADDUCTOR, LARGE - BLACK	single
1-6A,7A,8A	9160092003	HIP ADDUCTOR PKG, SM - NAVY	PR - XPRESS ONLY
1-6B,7B,8B	9160092004	HIP ADDUCTOR PKG, LRG - NAVY	PR - XPRESS ONLY
1-6C,7A,8A	9160093007	HIP ADDUCTOR PKG, SM - GRAY	PR
1-6D,7B,8B	211396	HIP ADDUCTOR PKG, LRG - GRAY	PR
1-6E,7A,8A	103802	HIP ADDUCTOR PKG, SM - BLACK	PR
1-6F,7B,8B	103803	HIP ADDUCTOR PKG, LRG - BLACK	PR



Pos.	Item Number	Description	Remarks
1	102770S	LATERAL PLATE - XP	
2	106944	WASHER FLAT THIN AN 1/4 ROHS	
3	2294	MACH SCREW 1/4-20 x 5/16 SHCS ANS	
4	9612120606	MACH SCREW #10-32 x 3/8 FHP ANS	
5	102771S	LATERAL NUTPLATE - XP	
6	9610000908	MACH SCREW 1/4-20 x 1/2 SHCS ANS	
7	9591010005S	ADJ LATERAL SWING AWAY - XP	
8	9683120104	T-NUT 1/4-20 x 1/4 SLOT BASE ZPS	
9A	9490503111	LATERAL FOAM 2-3/4"	
9B	9490502111	LATERAL FOAM 1-3/4"	
10A	9170618101	LATERAL COVER 2-3/4" - NAVY	
10B	9170612102	LATERAL COVER 2-3/4" - GRAY	
10C	9170601101	LATERAL COVER 2-3/4" - BLACK	
10D	9170618102	LATERAL COVER 1-3/4" - NAVY	
10E	9170612103	LATERAL COVER 1-3/4" - GRAY	
10F	9170601102	LATERAL COVER 1-3/4" - BLACK	
11A	119208S	LATERAL PLASTIC CONTOUR 2-3/4"	
11B	119207S	LATERAL PLASTIC CONTOUR 1-3/4"	
11C	119210S	LATERAL PLASTIC PLANAR 2-3/4"	
11D	119211S	LATERAL PLASTIC PLANAR 1-3/4"	
1-8,9A,10A,11A	103591	S-A LAT CONTOUR - L, 2-3/4" - NAVY	LEFT
1-8,9A,10A,11C	103589	S-A LAT PLANAR - L, 2-3/4" - NAVY	LEFT
1-8,9A,10B,11A	103600	S-A LAT CONTOUR - L, 2-3/4" - GRAY	LEFT
1-8,9A,10B,11C	211402	S-A LAT PLANAR - L, 2-3/4" - GRAY	LEFT

Pos.	Item Number	Description	Remarks
1-8,9A,10C,11A	102697	S-A LAT CONTOUR - L, 2-3/4" - BLACK	LEFT
1-8,9A,10C,11C	102693	S-A LAT PLANAR - L, 2-3/4" - BLACK	LEFT
1-8,9B,10D,11B	103590	S-A LAT CONTOUR - L, 1-3/4" - NAVY	LEFT
1-8,9B,10D,11D	211404	S-A LAT PLANAR - L, 1-3/4" - NAVY	LEFT
1-8,9B,10E,11B	103599	S-A LAT CONTOUR - L, 1-3/4" - GRAY	LEFT
1-8,9B,10E,11D	211406	S-A LAT PLANAR - L, 1-3/4" - GRAY	LEFT
1-8,9B,10F,11B	102695	S-A LAT CONTOUR - L, 1-3/4" - BLACK	LEFT
1-8,9B,10F,11D	102691	S-A LAT PLANAR - L, 1-3/4" - BLACK	LEFT
1-8,9A,10A,11A	103596	S-A LAT CONTOUR - R, 2-3/4" - NAVY	RIGHT
1-8,9A,10A,11C	103594	S-A LAT PLANAR - R, 2-3/4" - NAVY	RIGHT
1-8,9A,10B,11A	103607	S-A LAT CONTOUR - R, 2-3/4" - GRAY	RIGHT
1-8,9A,10B,11C	211410	S-A LAT PLANAR - R, 2-3/4" - GRAY	RIGHT
1-8,9A,10C,11A	102698	S-A LAT CONTOUR - R, 2-3/4" - BLACK	RIGHT
1-8,9A,10C,11C	102694	S-A LAT PLANAR - R, 2-3/4" - BLACK	RIGHT
1-8,9B,10D,11B	211407	S-A LAT CONTOUR - R, 1-3/4" - NAVY	RIGHT
1-8,9B,10D,11D	211408	S-A LAT PLANAR - R, 1-3/4" - NAVY	RIGHT
1-8,9B,10E,11B	211409	S-A LAT CONTOUR - R, 1-3/4" - GRAY	RIGHT
1-8,9B,10E,11D	211410	S-A LAT PLANAR - R, 1-3/4" - GRAY	RIGHT
1-8,9B,10F,11B	102696	S-A LAT CONTOUR -R, 1-3/4" - BLACK	RIGHT
1-8,9B,10F,11D	102692	S-A LAT PLANAR - R, 1-3/4" - BLACK	RIGHT
2-4,6,8	122933	S/A LAT TRUNK HDWR KIT	Includes hardware for 1 side

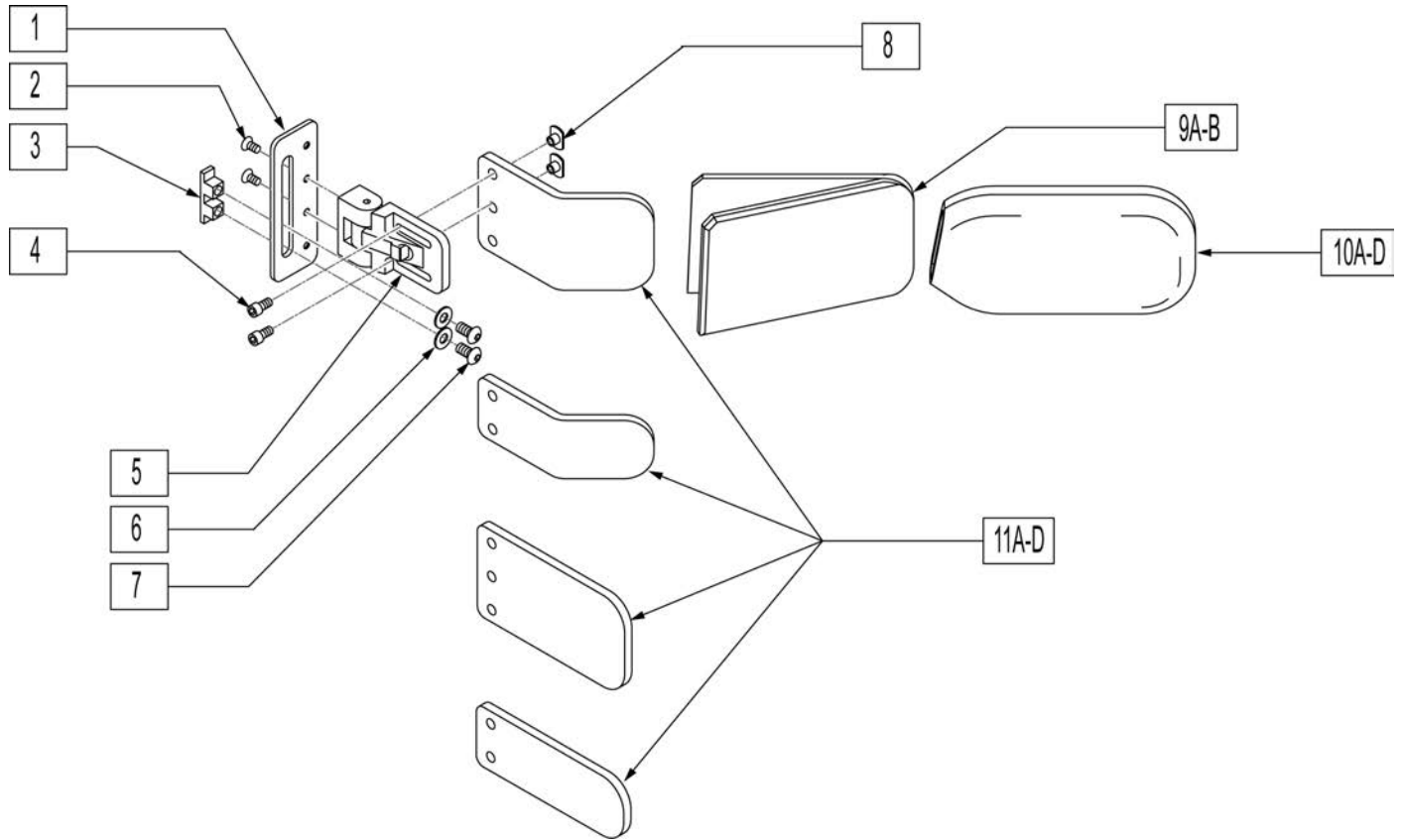
Note: Navy and Gray upholstery discontinued as of Sept 2011 available replacement as parts only.

Note: Chairs built after S/N XPS-5367364-11085-MX or S/N prefix KKXP utilized black components and not gray, replacement parts will be offered only in black

Note: Effective for models prior to May 2007, having a serial number without a letter at the end... e.g. xxxxxx07117

Note: Navy and Gray upholstery discontinued as of Sept 2011 available replacement as parts only.

Note: Chairs built after S/N XPS-5367364-11085-MX or S/N prefix KKXP utilized black components and not gray, replacement parts will be offered only in black



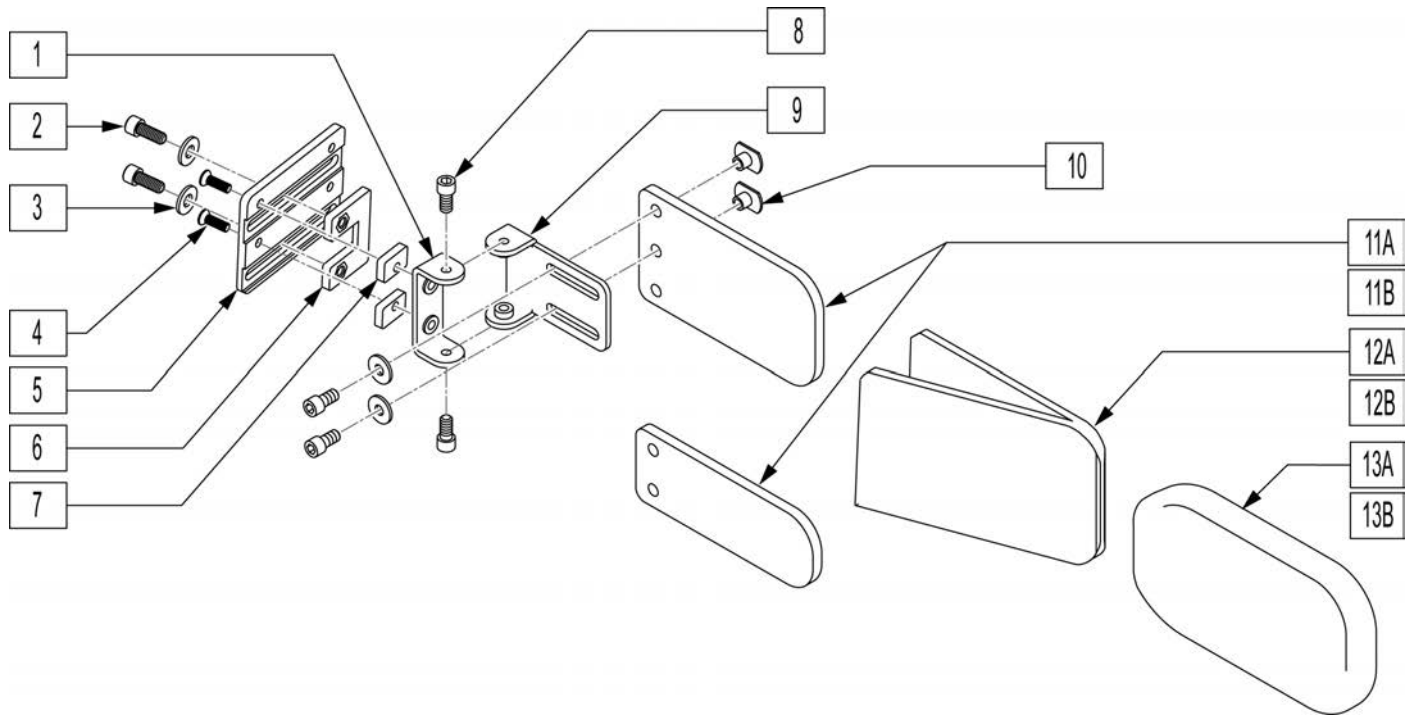
Pos.	Item Number	Description	Remarks
1	9510104001	LATERAL BASE PLATE	
2	9612120606	MACH SCREW #10-32 x 3/8 FHP ANS	
3	9530100001	LATERAL RETAINER	
4	9610000908	MACH SCREW 1/4-20 x 1/2 SHCS ANS	
5	9591010005S	ADJ LATERAL SWING AWAY - XP	
6	106944	WASHER FLAT THIN AN 1/4 ROHS	
7	9611000908	MACH SCREW 1/4-20 x 1/2 SBHCS ANS	
8	9683120104	T-NUT 1/4-20 x 1/4 SLOT BASE ZPS	
9A	9490503111	LATERAL FOAM 2-3/4"	
9B	9490502111	LATERAL FOAM 1-3/4"	
10A	211397	LATERAL COVER 2-3/4" - NAVY	
10B	211398	LATERAL COVER 2-3/4" - GRAY	
10C	211439	LATERAL COVER 1-3/4" - NAVY	
10D	211440	LATERAL COVER 1-3/4" - GRAY	
11A	9553050302	LATERAL PLASTIC - CONTOUR 2-3/4"	
11B	9553050202	LATERAL PLASTIC - CONTOUR 1-3/4"	single
11C	9553050301	LATERAL PLASTIC - PLANAR 2-3/4"	
11D	9553050201	LATERAL PLASTIC - PLANAR 1-3/4"	
1-9A,10A,11A	900037	LAT ASSY CONTOUR 2-3/4" - NAVY	single

Pos.	Item Number	Description	Remarks
1-9A,10A,11C	900038	LAT ASSY PLANAR 2-3/4" - NAVY	single
1-9A,10B,11A	900039	LAT ASSY CONTOUR 2-3/4" - GRAY	single
1-9A,10B,11C	900040	LAT ASSY PLANAR 2-3/4" - GRAY	single
1-9B,10C,11B	900041	LAT ASSY CONTOUR 1-3/4" - NAVY	single
1-9B,10C,11D	900042	LAT ASSY PLANAR 1-3/4" - NAVY	single
1-9B,10D,11B	900043	LAT ASSY CONTOUR 1-3/4" - GRAY	single
1-9B,10D,11D	900044	LAT ASSY PLANAR 1-3/4" - GRAY	single

Note: Effective for models beginning May 2007, having a serial number ending with a letter... e.g. xxxxxx07122A S/N prefix KKXP

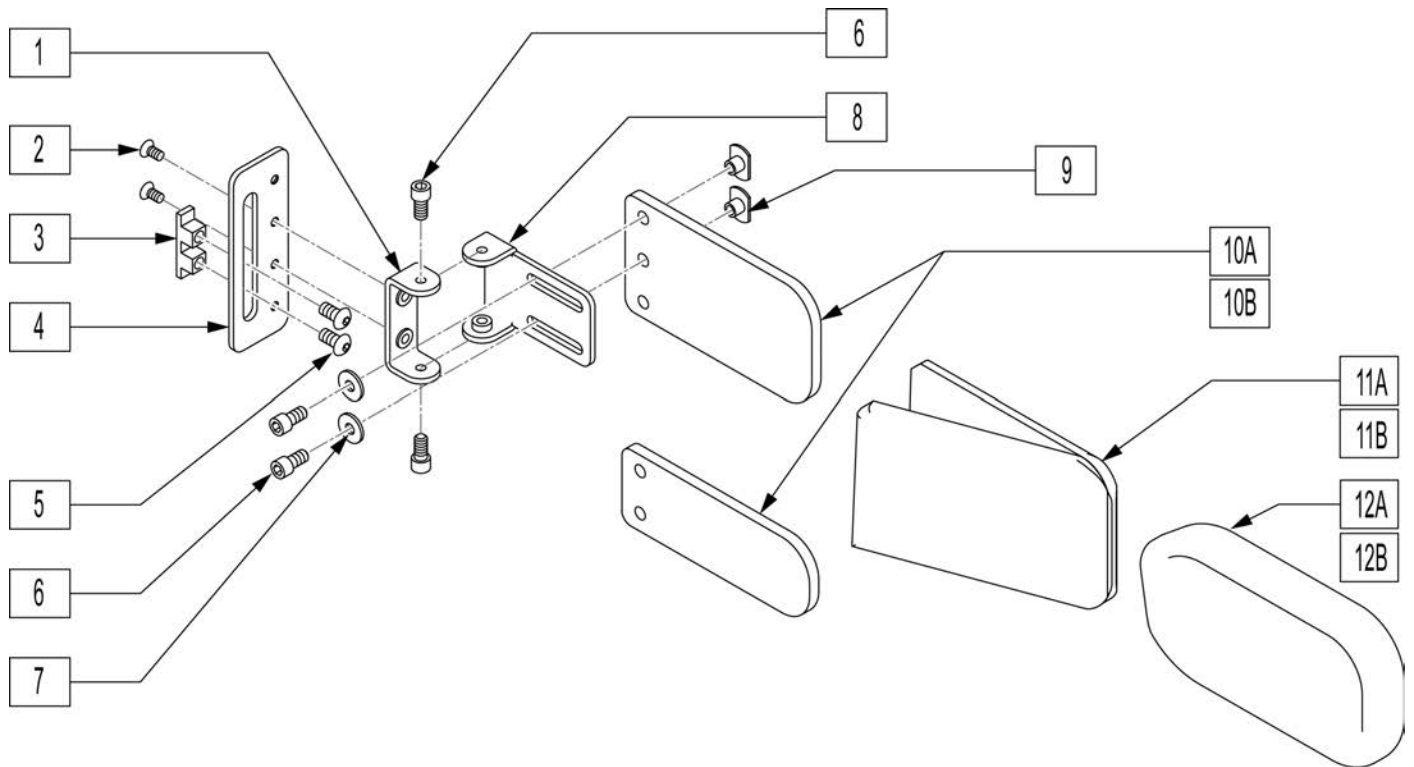
Note: Navy and Gray upholstery discontinued as of Sept 2011 available replacement as parts only.

Note: Chairs built after S/N XPS-5367364-11085-MX or S/N prefix KKXP-008100 utilized black components and not gray, replacement parts will be offered only in black



Pos.	Item Number	Description	Pos.	Item Number	Description
1	9510401004	FIXED LATERAL BASE	13A	9170601101	LATERAL COVER 2-3/4" - BLACK
2	2294	MACH SCREW 1/4-20 x 5/16 SHCS ANS	13B	211439	LATERAL COVER 1-3/4" - NAVY
3	106944	WASHER FLAT THIN AN 1/4 ROHS	13B	211440	LATERAL COVER 1-3/4" - GRAY
4	9612120606	MACH SCREW #10-32 x 3/8 FHP ANS	13B	9170601102	LATERAL COVER 1-3/4" - BLACK
5	102770S	LATERAL PLATE	1-12(A),13A	103574	FIXED LAT - L, 2-3/4" - NAVY
6	102771S	LATERAL NUT PLATE	1-12(A),13A	103572	FIXED LAT - R, 2-3/4" - NAVY
7	102772	FIXED LAT SPACER	1-12(A),13A	103579	FIXED LAT - L, 2-3/4" - GRAY
8	9611000908	MACH SCREW 1/4-20 x 1/2 SHCS ANS	1-12(A),13A	103576	FIXED LAT - R, 2-3/4" - GRAY
9	9510304002	FIXED LATERAL BLADE MOUNT	1-12(A),13A	102747	FIXED LAT - L, 2-3/4" - BLACK
10	9683120104	T-NUT 1/4-20 x 1/4 SLOT-BASE ZPS	1-12(A),13A	102745	FIXED LAT - R, 2-3/4" - BLACK
11A	119210S	LATERAL PLASTIC PLANAR 2-3/4"	1-12(B),13B	103573	FIXED LAT - L, 1-3/4" - NAVY
11B	119211S	LATERAL PLASTIC PLANAR 1-3/4"	1-12(B),13B	103571	FIXED LAT - R, 1-3/4" - NAVY
12A	9490503111	LATERAL FOAM 2-3/4"	1-12(B),13B	211437	FIXED LAT - L, 1-3/4" - GRAY
12B	9490502111	LATERAL FOAM 1-3/4"	1-12(B),13B	211438	FIXED LAT - R, 1-3/4" - GRAY
13A	211397	LATERAL COVER 2-3/4" - NAVY	1-12(B),13B	102746	FIXED LAT - L, 1-3/4" - BLACK
13A	211398	LATERAL COVER 2-3/4" - GRAY	1-12(B),13B	102744	FIXED LAT - R, 1-3/4" - BLACK

Effective for models prior to May 2007, having a serial number without a letter at the end... e.g. xxxxxx07117

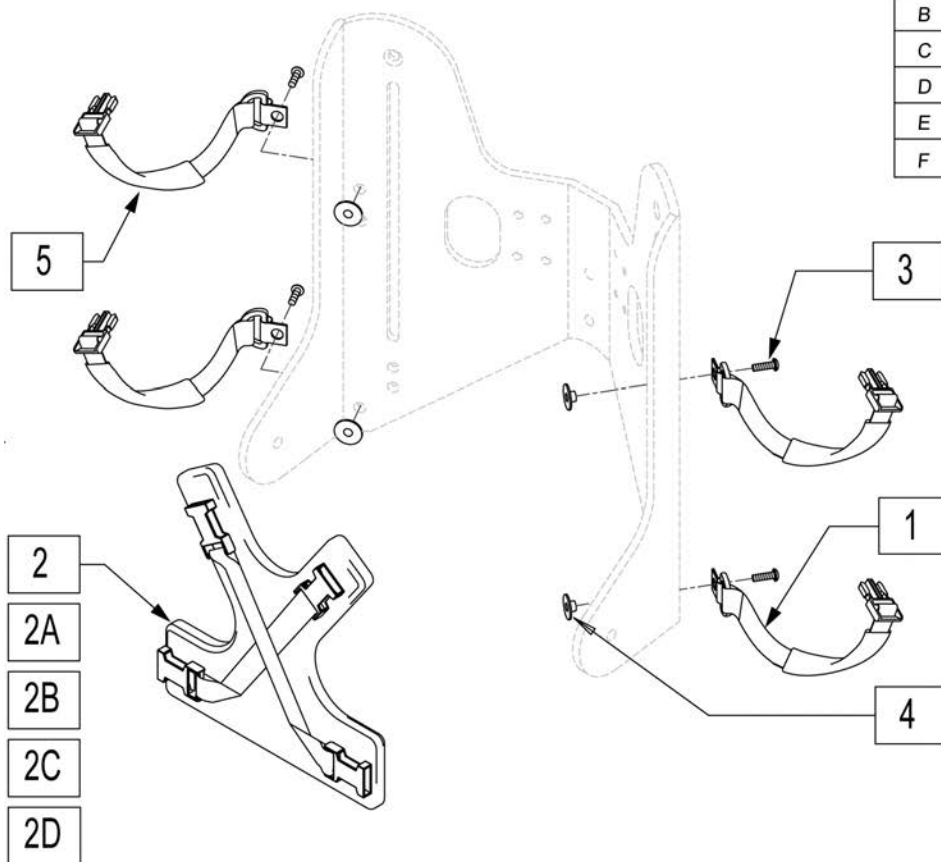
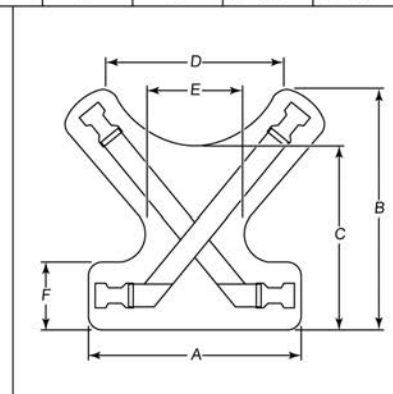


Pos.	Item Number	Description	Remarks
1	9510401004	FIXED LATERAL BASE	
2	9612120606	MACH SCREW #10-32 x 3/8 FHP ANS	
3	9530100001	LATERAL RETAINER	
4	9510104001	LATERAL BASE PLATE	
5	9611000908	MACH SCREW 1/4-20 x 1/2 SBHCS ANS	
6	9610000908	MACH SCREW 1/4-20 x 1/2 SHCS ANS	
7	106944	WASHER FLAT THIN AN 1/4 ROHS	
8	9510304002	FIXED LATERAL BLADE	
9	9683120104	T-NUT 1/4-20 x 1/4 SLOT-BASE ZPS	
10A	9553050301	LATERAL PLASTIC PLANAR 2-3/4"	
10B	9553050201	LATERAL PLASTIC PLANAR 1-3/4"	
11A	9490503111	LATERAL FOAM 2-3/4"	
11B	9490502111	LATERAL FOAM 1-3/4"	
12A	211397	LATERAL COVER 2-3/4" - NAVY	
12A	211398	LATERAL COVER 2-3/4" - GRAY	
12B	211439	LATERAL COVER 1-3/4" - NAVY	
12B	211440	LATERAL COVER 1-3/4" - GRAY	
1-11(A),12A	211441	FIXED LATERAL PLANAR 2-3/4" - NAVY	Single
1-11(A),12A	211442	FIXED LATERAL PLANAR 2-3/4" - GRAY	Single
1-11(B),12B	211443	FIXED LATERAL PLANAR 1-3/4" - NAVY	Single
1-11(B),12B	211444	FIXED LATERAL PLANAR 1-3/4" - GRAY	Single
1-11(A),12A	211445	FIXED LAT ASS'Y PLANAR 2-3/4" - NAVY	Pair
1-11(A),12A	9161069605	FIXED LAT ASS'Y PLANAR 2-3/4" - GRAY	Pair
1-11(B),12B	211447	FIXED LAT ASS'Y PLANAR 1-3/4" - NAVY	Pair

Pos.	Item Number	Description	Remarks
1-11(B),12B	211448	FIXED LAT ASS'Y PLANAR 1-3/4" - GRAY	Pair

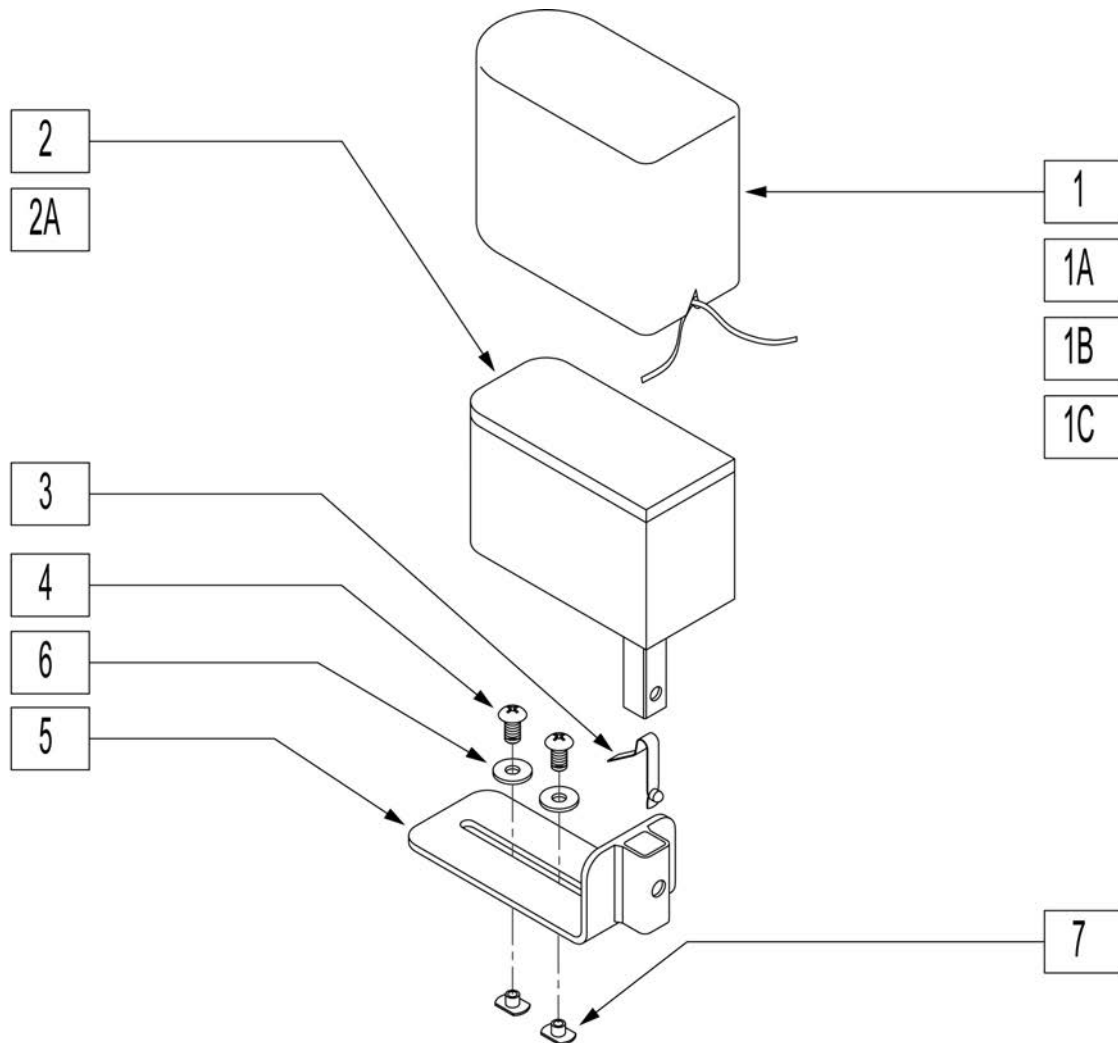
MEASURING GUIDE

	XXSM	XSM	SM	MED	LG
A	5-1/2"	6-1/2"	7"	7-1/4"	7-1/2"
B	5"	7"	8"	9"	11"
C	4"	5-1/4"	5"	6-1/2"	7-1/2"
D	2-1/2"	3-1/2"	4-1/2"	5-1/2"	6-1/2"
E	2-1/4"	2-1/4"	2-1/4"	3"	3-1/2"
F	1"	2"	2"	2-1/2"	2-1/2"

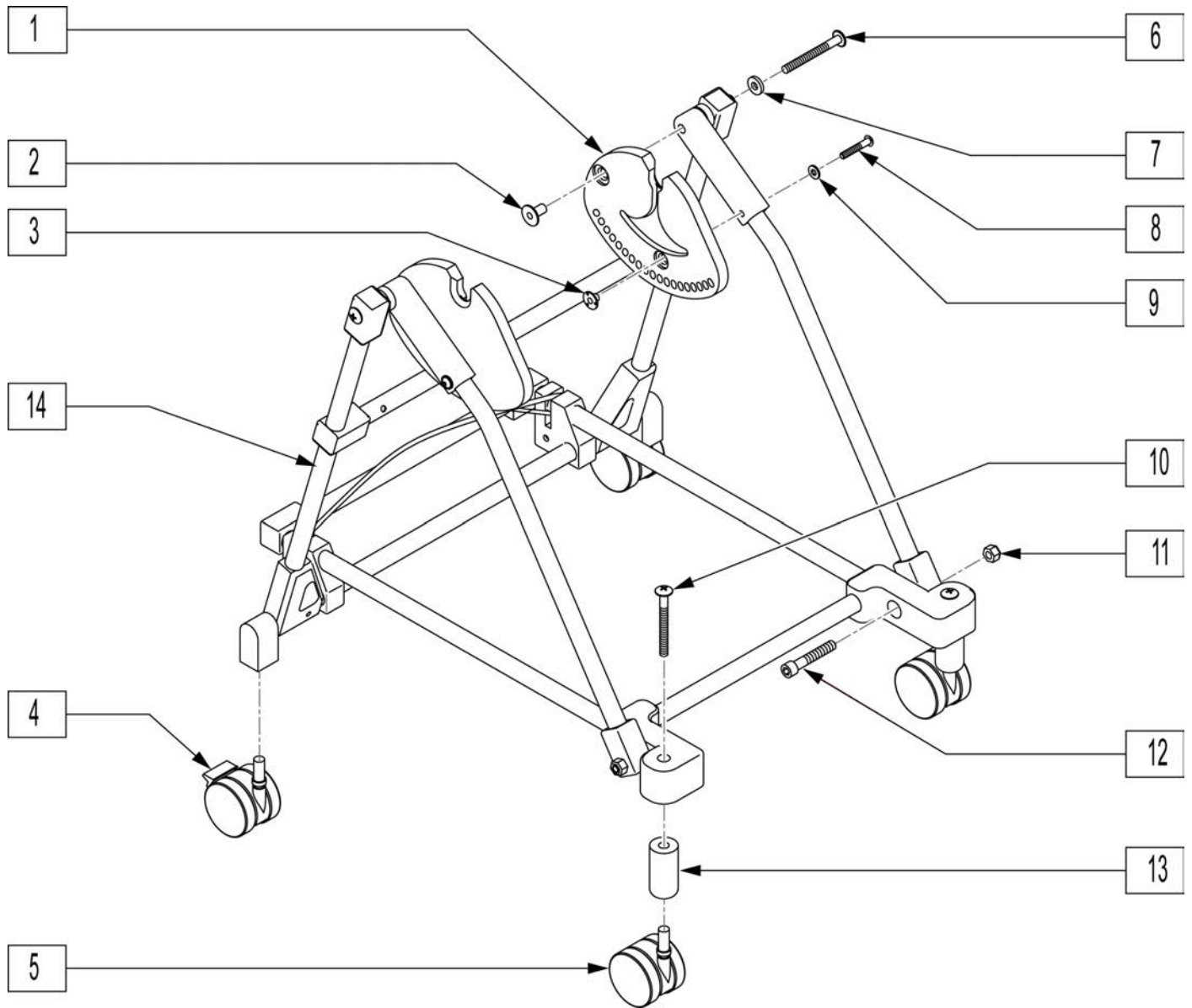


Pos.	Item Number	Description
1	9180312301	BUTTERFLY STRAP ASSY - 23"
2A	9160150111	BUTTERFLY PAD - BLACK - XXSMALL
2B	9160150211	BUTTERFLY PAD - BLACK - XSMALL
2C	9160150311	BUTTERFLY PAD - BLACK - SMALL
2D	9160150411	BUTTERFLY PAD - BLACK - MEDIUM
2E	9160150511	BUTTERFLY PAD - BLACK - LARGE
3	9611000910	MACH SCREW 1/4-20 x 5/8 SBHCS ANS
4	9681120104	T-NUT 1/4-20 x 1/4 ROUND ZPS
1,2A-4	9160150555	BUTTERFLY ASSY w/HARDWARE - XXSM
1,2B-4	9160150454	BUTTERFLY ASSY w/HARDWARE - XSM
1,2C-4	9160150353	BUTTERFLY ASSY w/HARDWARE - SM
1,2D-4	9160150252	BUTTERFLY ASSY w/HARDWARE - MED
1,2E-4	9160150151	BUTTERFLY ASSY w/HARDWARE - LRG
5	9171801101	OPTIONAL SHOULDER STRAP PADS

Note: Gray upholstery discontinued as of Sept 2011, available as replacement parts only.

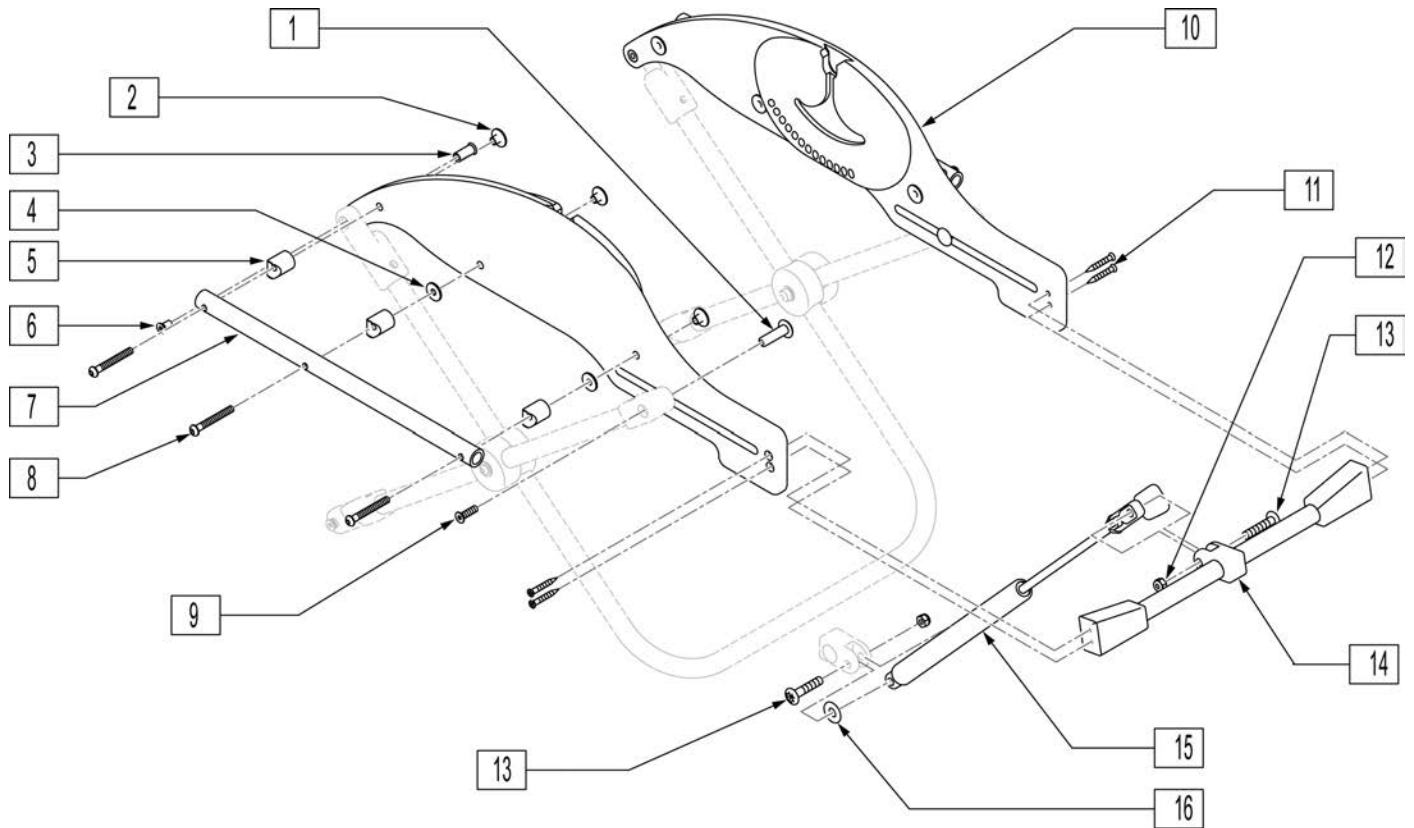


Pos.	Item Number	Description
1A	9171213105	ABDUCTOR COVER, SMALL - GRAY
1C	9171201101	ABDUCTOR COVER, SMALL - BLACK
1D	211450	ABDUCTOR COVER, LARGE - GRAY
1F	9171201102	ABDUCTOR COVER, LARGE - BLACK
2A-8	9161099004	ABDUCTION BLOCK, SMALL w/HDWR
2B-8	9161099005	ABDUCTION BLOCK, LARGE w/HDWR
3	9691121001	SNAP BUTTON - SINGLE, B-100
4	9611000914	MACH SCREW 1/4-20 x 7/8 SBHCS ANS
5	9510402003	STEEL ANGLE - ABDUC HDWR
6	9640140867	WASHER 1/4" SS
7	9650701012	NYLOCK NUT, LOW 1/4-20 ZPS
8	9510101004	ANTI-SPIN PLATE - ABDUC HDWR
1A, 2A-8	900059	ABDUCTOR, SMALL - GRAY
1C, 2A-8	103646	ABDUCTOR, SMALL - BLACK
1D, 2B-8	900061	ABDUCTOR LARGE GRAY
1F, 2B-8	103187	ABDUCTOR, LARGE - BLACK



Pos.	Item Number	Description	Remarks
1	9530650001	T-I-S BLOCK VENT MOBASE - R	
1	9530650002	T-I-S BLOCK VENT MOBASE - L	
2	9681140112	T-NUT 5/16-18 x 3/4 ROUND STEEL ZPS	
3	9681120106	T-NUT 1/4-20 x 3/8 ROUND STEEL ZPS	
4	9290212001	CASTER 2-3/8" w/BRAKE	
5	9290202001	CASTER 2-3/8" PLASTIC	
6	9619101148	MACH SCREW 5/16-18 x 3 THP ZPS	
7	9640151225	WASHER 5/16 x 3/4 x 1/8 NYLON	
8	9611000924	MACH SCREW 1/4-20 x 1-1/2 SBHCS ANS	
9	106944	WASHER FLAT THIN AN 1/4 ROHS	
10	9611001832	MACH SCREW 1/2-20 x 2 SBHCS ANS	
11	9650701016	NYLOCK NUT, LOW 3/8-16 ZPS	
12	9610001336	MACH SCREW 3/8-16 x 2-1/4	
13	9530301001	FRONT CASTER POST FEEDER BASE	
1-14	9151221201	FEEDER BASE - FIXED HEIGHT	Available in Black only

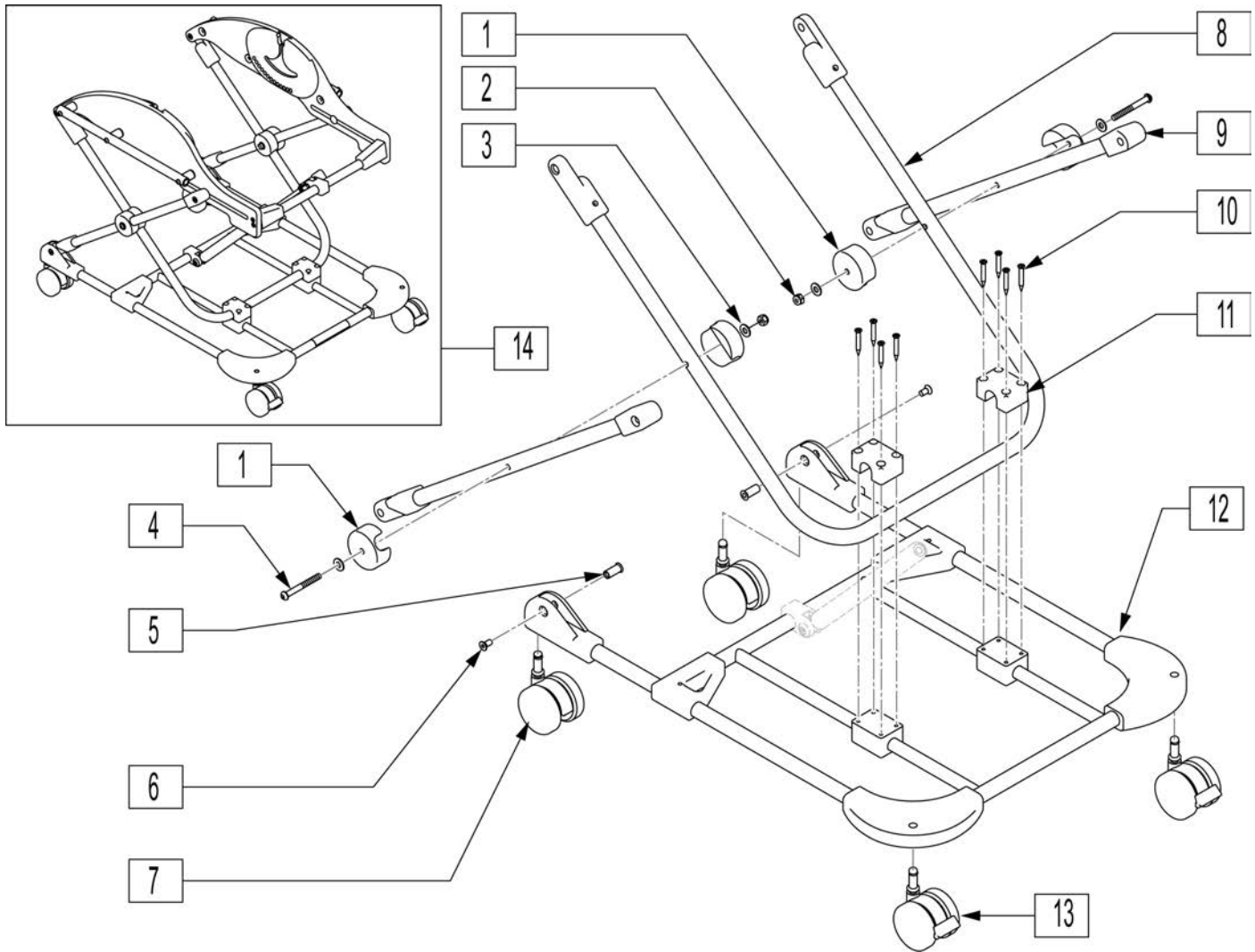
BOOSTER BASE - TOP



Pos.	Item Number	Description	Remarks
1	9540610401	SLIDE PEG - FEEDERBASE	
2	9681120106	T-NUT 1/4-20 x 3/8 ROUND ZPS	
3	9540614002	PIVOT POST - FEEDERBASE - XP	
4	9640141205	WASHER 1/4"x3/4"x1/16" - BLACK	
5	9670321212	SHELL HANDLE STANDOFF	
6	9612000908	MACH SCREW 1/4-20 x 1/2 FHS ANS	
7	9452145001	HANDLE BAR BOOSTER	
8	9611000932	MACH SCREW 1/4-20 x 2 SBHCS ANS	
9	9612000914	MACH SCREW 1/4-20 x 7/8 FHS ANS	
10	9532407001	SHELL SUPPORT PLATE - R	Right
10	9532407002	SHELL SUPPORT PLATE - L	Left
11	9625121024	SCREW #10 x 1-1/2 FHP SMS ZPS	
12	9650501014	NYLOCK NUT 5/16-18 ZPS	
13	9619101124	MACH SCREW 5/16-18 x 1-1/2 THP ZPS	
14	900068	TOP CROSSBRACE ASSY - XP BOOSTER	
15	9299904001	GAS SPRING w/LOCKING HEAD	
16	9640161401	WASHER 5/16" FLAT ZPS	
2,4,5,7,8	900069	HANDLE ASSEMBLY - XP BOOSTER	
12,13,15	900070	GAS SPRING ASSY - XP BOOSTER	
1,3,6,9,10	900071	SHELL SUP ASSY - R - XP BOOSTER	Right
1,3,6,9,10	900072	SHELL SUP ASSY - L - XP BOOSTER	Left

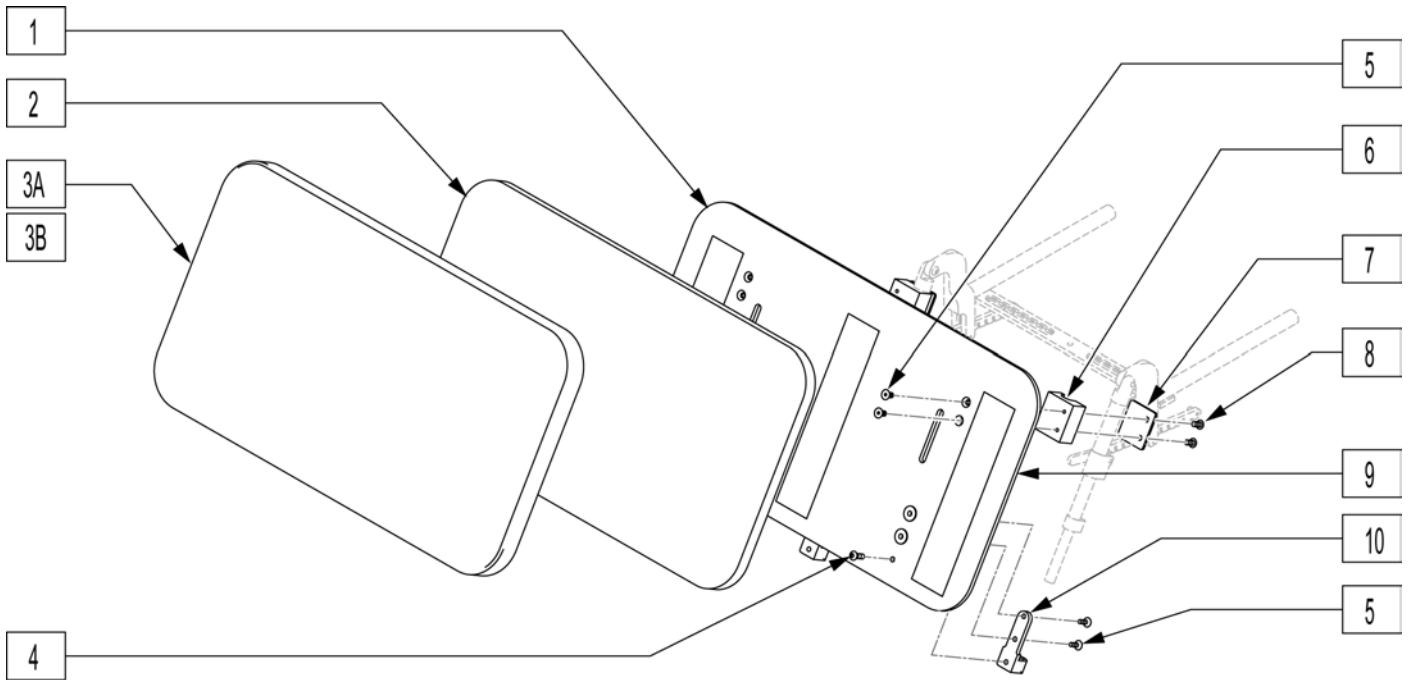
BOOSTER BASE - BOTTOM

[09/2011]

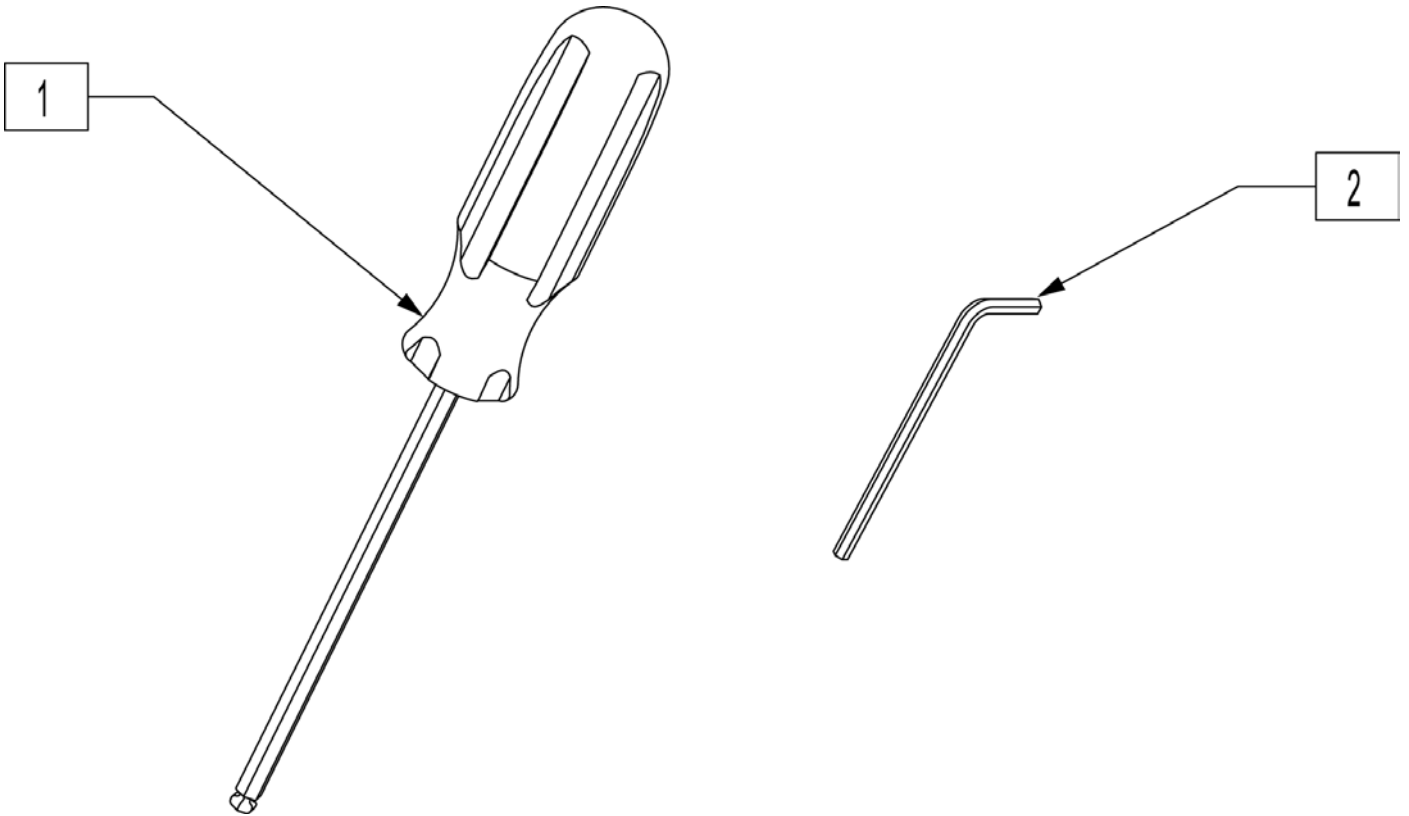


Pos.	Item Number	Description	Remarks
1	9530201012	SCISSOR PIVOT BLOCK	
2	9650701012	NYLOCK NUT, LOW 1/4-20 ZPS	
3	9640120601	WASHER #12 FLAT ZPS	
4	9611000936	MACH SCREW 1/4-20 x 2-1/4 SBHCS ANS	
5	9540614002	PIVOT POST	
6	9612000914	MACH SCREW 1/4-20 x 7/8 FHS ANS	
7	9290202001	CASTER 2-3/8" - PLASTIC	
8	900073	OUTSIDE DIAGONAL ASSY BOOSTER	
9	900074	INSIDE DIAGONAL ASSY BOOSTER	
10	9625121024	SMS #10 x 1-1/2 FHP	
11	9530201014	REAR HOOP BRACKET	
12	900075	BASE FRAME ASSY - XP BOOSTER	
13	9290212001	CASTER 2-3/8" w/BRAKE	
1-4	900076	PIVOT BLOCK ASSY - XP BOOSTER	
10-12	900077	BOTTOM FRAME ASSY - XP BOOSTER	
1-13	900078	COMPLETE BOTTOM FRAME BOOSTER	
14	9151231201	BOOSTER BASE FRAME - XP	Available in Black only

None: Effective for chairs built after S/N XPS-5367364-11085-MX.

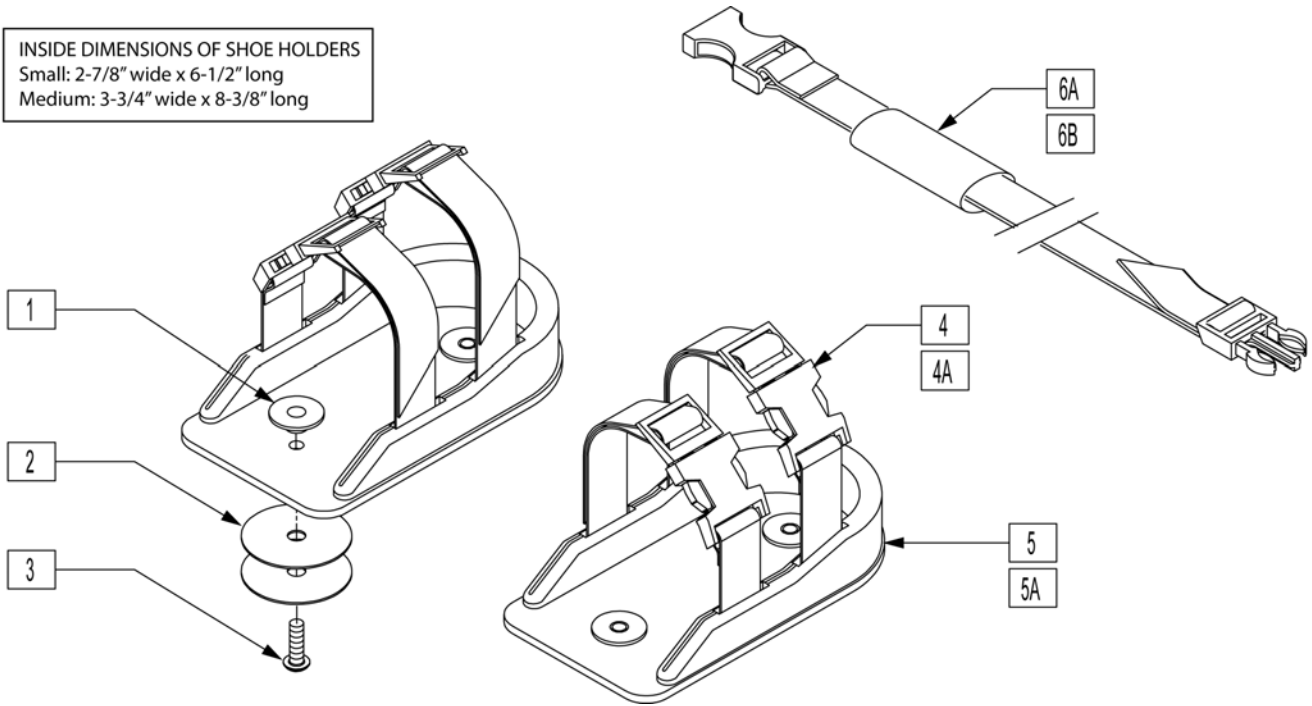


Pos.	Item Number	Description
1	9552132402	LEG SUPPORT PANEL SPICA
2	9490924131	LEG SUPPORT PANEL FOAM SPICA
3A	9170801001	LEG SUP COVER SPICA - PACK - BLACK
3B	9170801201	LEG SUP COVER SPICA - VINYL - BLACK
4	9611000914	MACH SCREW 1/4-20 x 7/8 SBHCS ANS
5	9612000908	MACH SCREW 1/4-20 x 1/2 FHS ANS
6	9530201009	BATTERY TRAY SUPPORT BLOCK TB LEG
7	9510201007	RETEN PLATE LEG SUP PANEL SPICA
8	9612120610	MACH SCREW #10-24 x 5/8 FHP ANS
9	900082	XP SPICA VELCRO® KIT
10	9530103002	FOOTBED MOUNTING BRACKET
1-3A,4-10	882368	SPICA PLATFORM ASSY (PACK) - XP
1-3B,4-10	9161087001	SPICA PLATFORM ASSY (VINYL) - XP

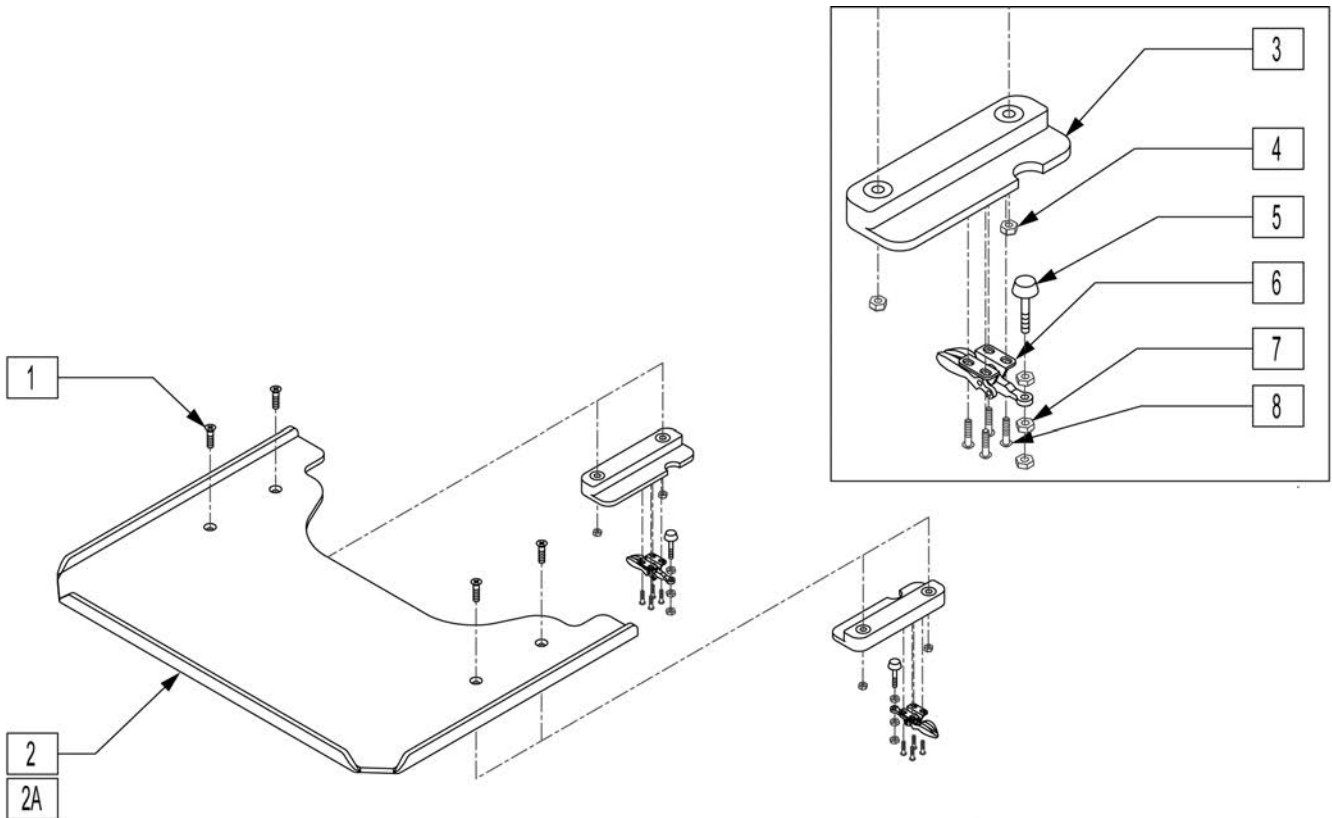


Pos.	Item Number	Description
1	9790105001	HEX SOCKET DRIVER 5/32", BALL POINT
2	9790206003	HEX SOCKET WRENCH 3/16", SHRT ARM

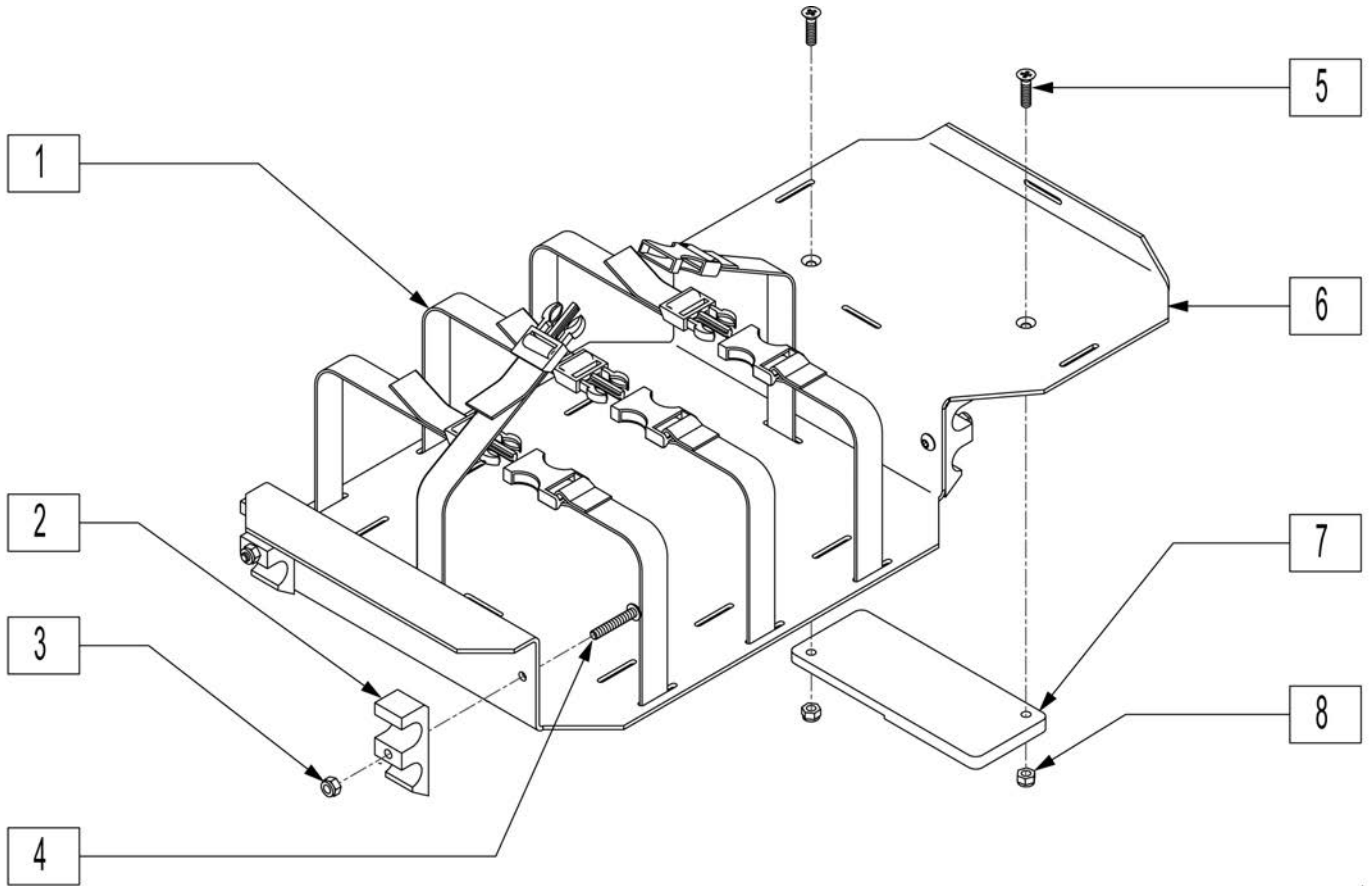
INSIDE DIMENSIONS OF SHOE HOLDERS
Small: 2-7/8" wide x 6-1/2" long
Medium: 3-3/4" wide x 8-3/8" long



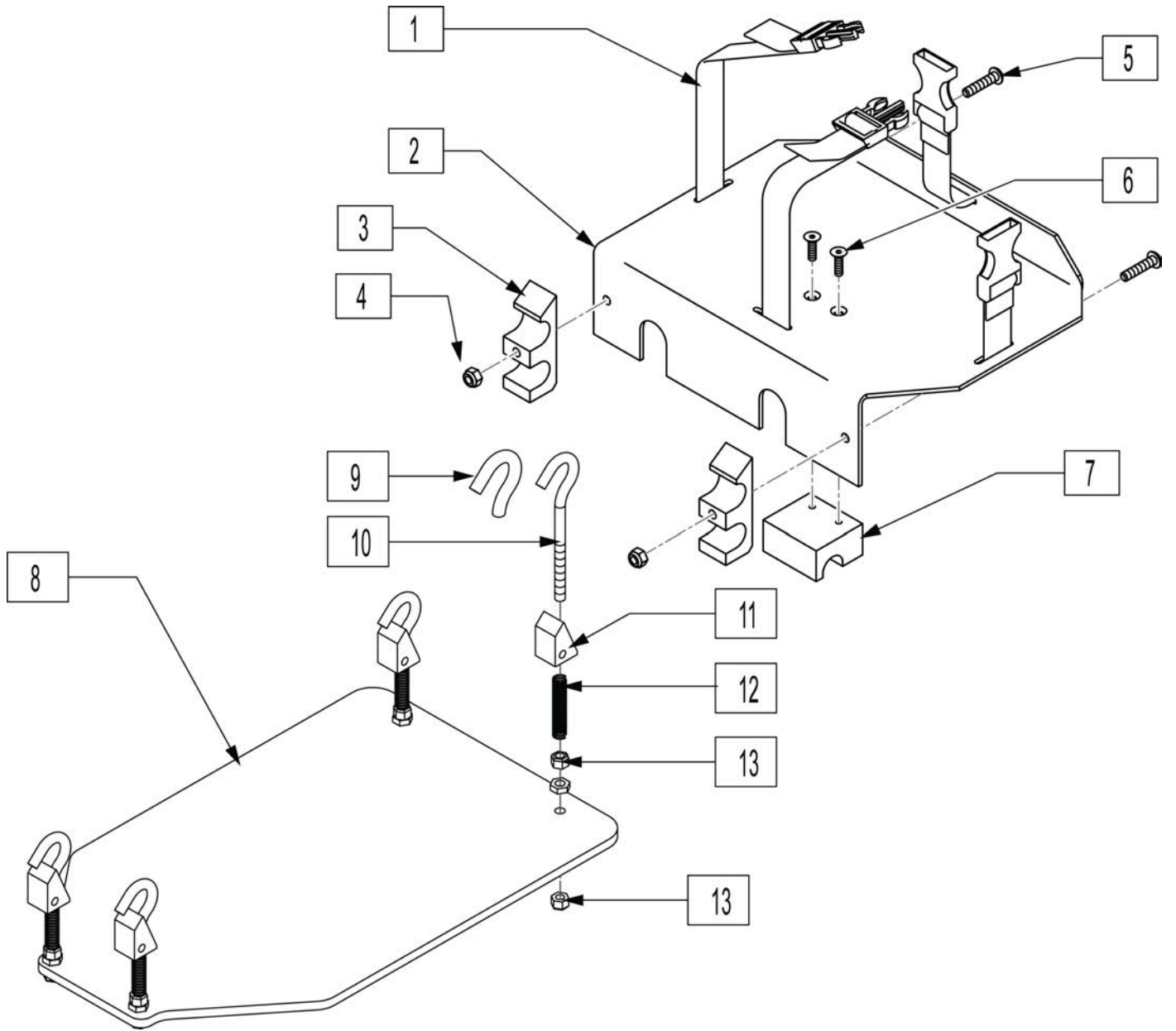
Pos.	Item Number	Description
1	9681100105	T-NUT #10-24 x 5/16 ROUND ZPS
2	9640141801	WASHER 1/4" FENDER ZPS
3	9611000608	MACH SCREW #10-24 x 1/2 SBHCS ANS
4A	9180311201	SHOE HOLDER STRAP ASSY - 10-3/8"
4B	9180311501	SHOE HOLDER STRAP ASSY - 13-1/8"
5A	451134-QU	SHOE HOLDER, SMALL - 6"
5B	451135-QU	SHOE HOLDER, MEDIUM - 8"
1-4A,5A	9180109001	SHOE HOLDER ASSY, SMALL (PAIR)
1-4B,5B	9180109002	SHOE HOLDER ASSY, MEDIUM (PAIR)
6A	9161070001	FOOT STRAP ASSEMBLY - 16"
6B	9161070002	FOOT STRAP ASSEMBLY - 18"



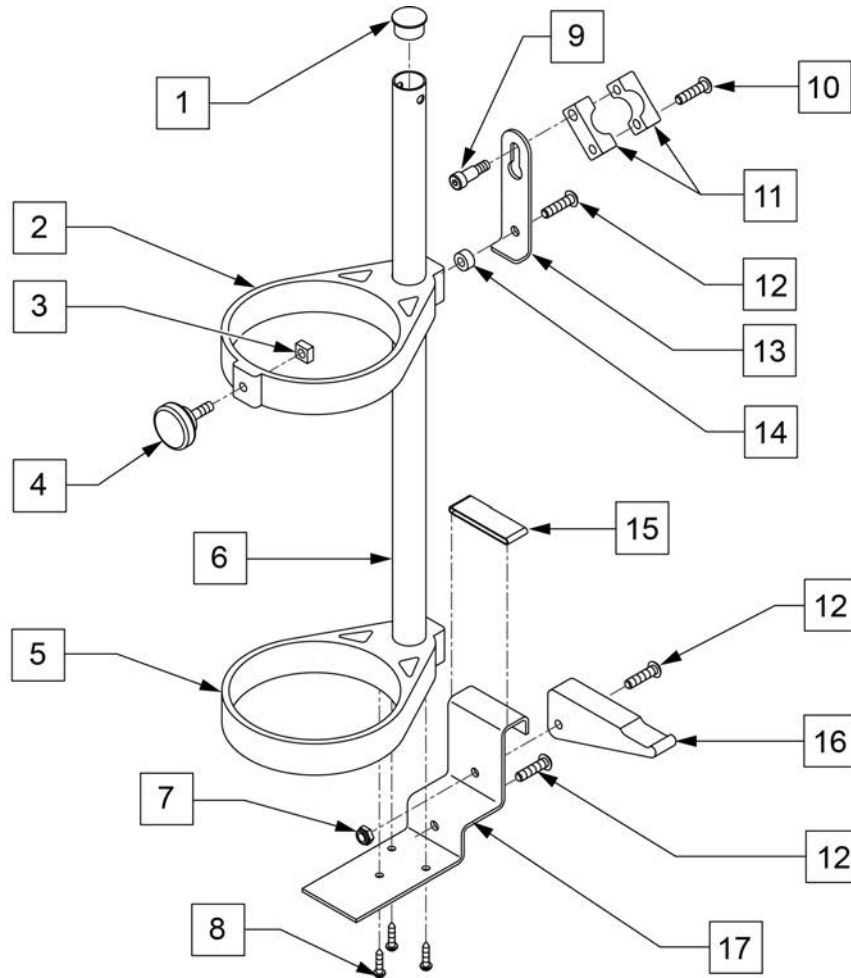
Pos.	Item Number	Description
1	9612000916	MACH SCREW 1/4-20 x 1 FHS ANS
2A	9556221604	THERA TRAY - LIGHT GRAY
2B	9556221605	THERA TRAY - CLEAR
2C	9556221607	THERA-TRAY, NO CUT-OUT - LIGHT GRAY
2D	9556221608	THERA-TRAY, NO CUT-OUT - CLEAR
3	9420502001	TRAY CLAMP PLATE SET (L/R PAIR)
4	9651602012	NYLOCK NUT, LOW 1/4-20 ZPS
5	9730120001	CLAMP SPINDLE w/NUTS
6	9730110001	CLAMP BODY
7	9650501008	NYLOCK NUT #8-32 ZPS
8	9625120610	SMS #6 x 5/8 PHP ZPS
6-8	9180902001	CLAMP SET w/o SPINDLE
3, 5-8	9180902002	TRAY CLAMP PLATE & CLAMP ASSY
1,2A,3-8	9180103019	THERA-TRAY ASSY - LIGHT GRAY
1,2B,3-8	9180103020	THERA-TRAY ASSY - CLEAR
1,2C,3-8	9180103022	THERA-TRAY ASSY, NO CUT-OUT - LT.GRAY
1,2D,3-8	9180103023	THERA-TRAY ASSY, NO CUT-OUT - CLEAR



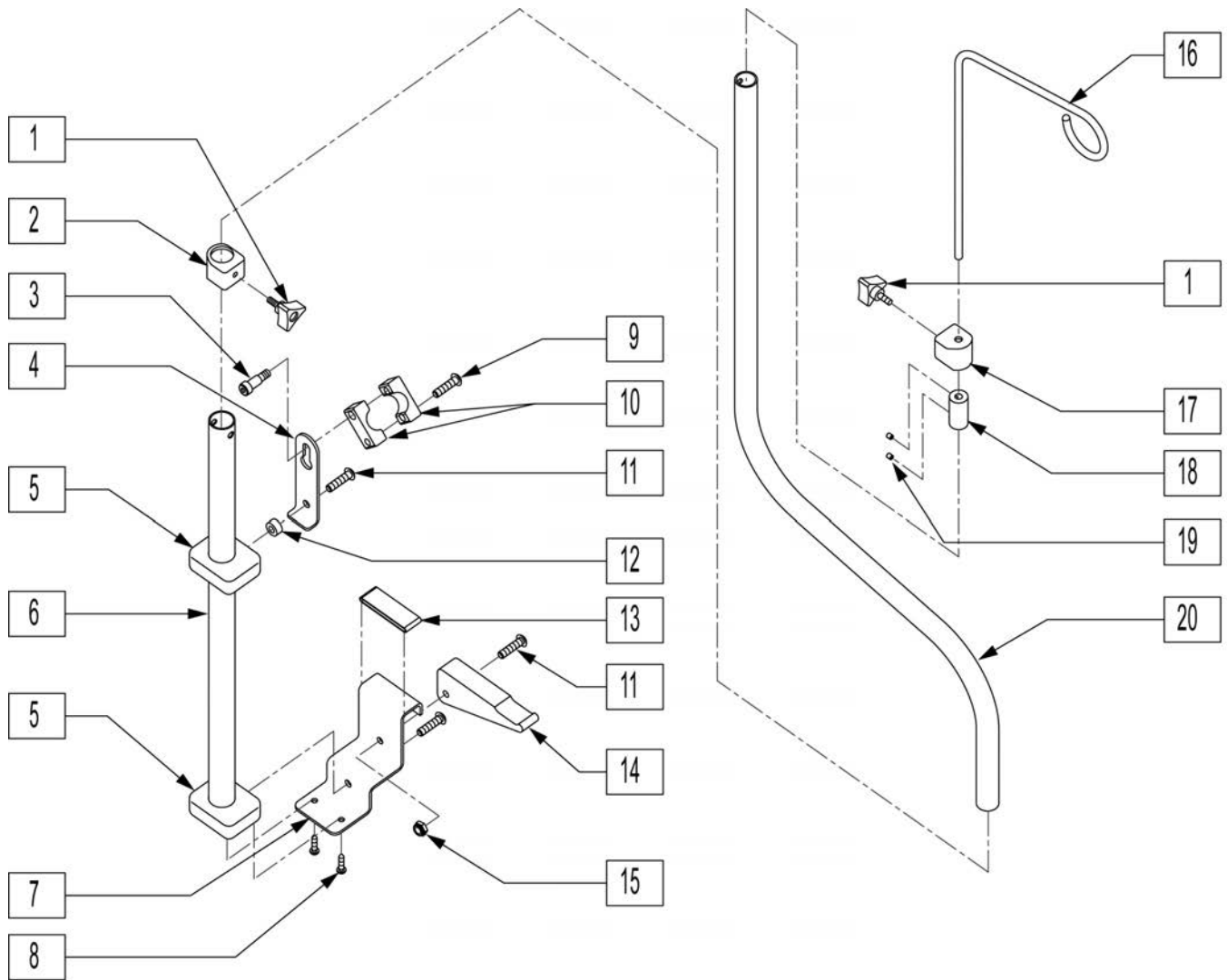
Pos.	Item Number	Description
1	9180313601S	BATTERY / VENT TRAY STRAP - TC
2	9530302001	BATTERY / VENT TRAY CLIP - TC
3	9650501012	NYLOCK NUT 1/4-20 ZPS
4	9611000924	MACH SCREW 1/4-20 x 1-1/2 SBHCS ZPS
5	9612120914	MACH SCREW 1/4-20 x 7/8 FHP ZPS
6	9512613001	BATTERY / VENTILATOR TRAY 13" x 26"
7	9559060301	BATTERY SUPPORT PLATE
8	9650501012	NYLOCK NUT 1/4-20 ZPS
1-8	9180104002	BATTERY / VENTILATOR TRAY ASSY



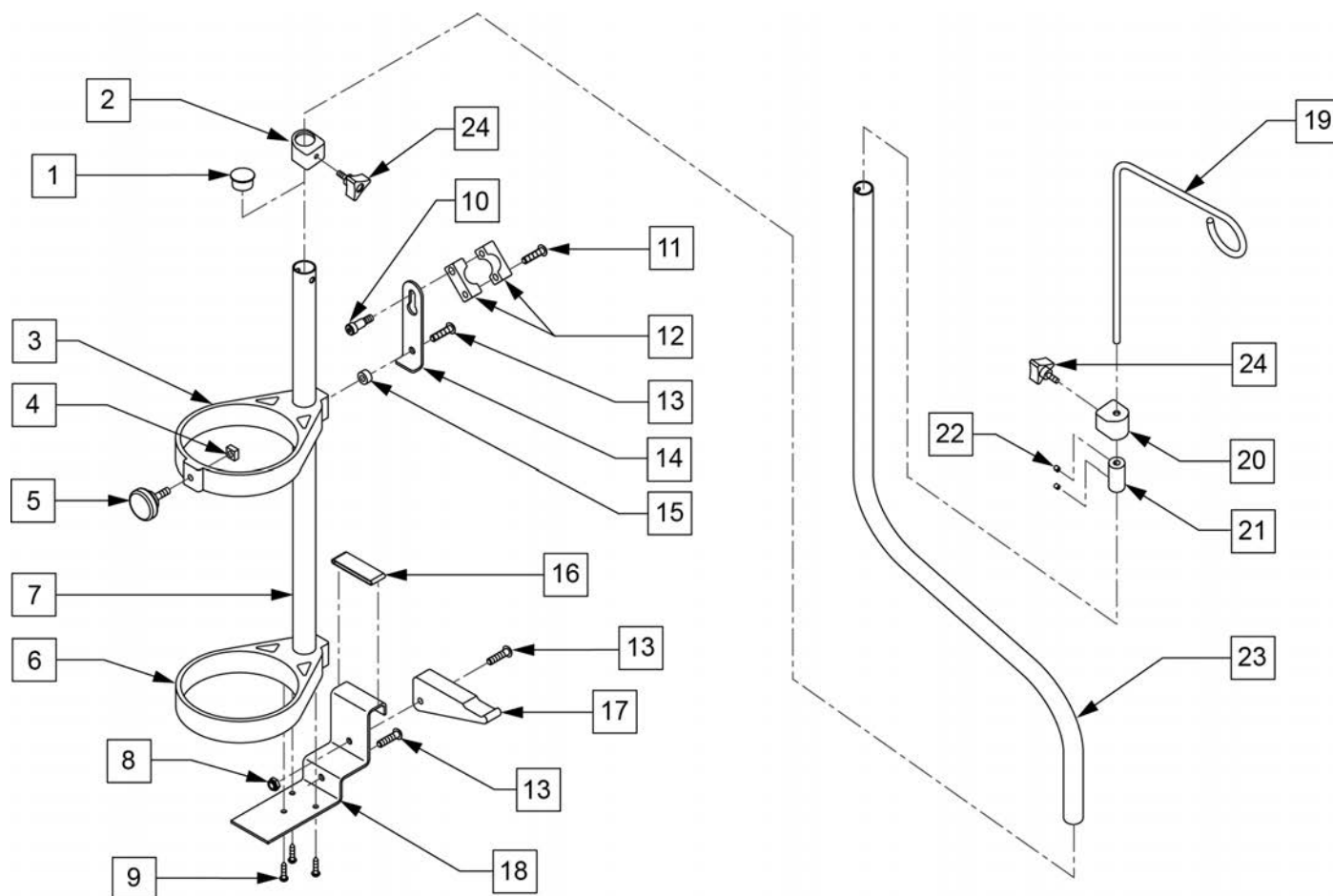
Pos.	Item Number	Description
1	9180313601S	BATTERY / VENT TRAY STRAP - TC
2	9510811001	BATTERY TRAY 8.3" x 11.5"- T-BIRD LGCY
3	9530302001	BATTERY / VENT TRAY CLIP - TC
4	9650501012	NYLOCK NUT 1/4-20 ZPS
5	9611000924	MACH SCREW 1/4-20 x 1-1/2 SBHCS ANS
6	9612000914	MACH SCREW 1/4-20 x 7/8 FHS ANS
7	9530201009	BATTERY TRAY SUPPORT BLOCK
8	9556211301	VENTILATOR TRAY 13" x 21" - T-BIRD
9	9290531502	TUBE 5/16" x 7/16" - CLEAR SILICONE
10	9694052070	HOOK BOLT 3/8-16 x 7 w/NUT ZPS
11	9420100103	BATTERY TRAY LATCH BLOCK
12	9755405630	SPRING - COMPRESSION 9/16" OD x 3"
13	9650501016	NYLOCK NUT 3/8-16 ZPS
1-7	9180101002	BATTERY TRAY ASSEMBLY - T-BIRD LGCY
8-13	9180104003	VENTILATOR TRAY ASSEMBLY - T-BIRD



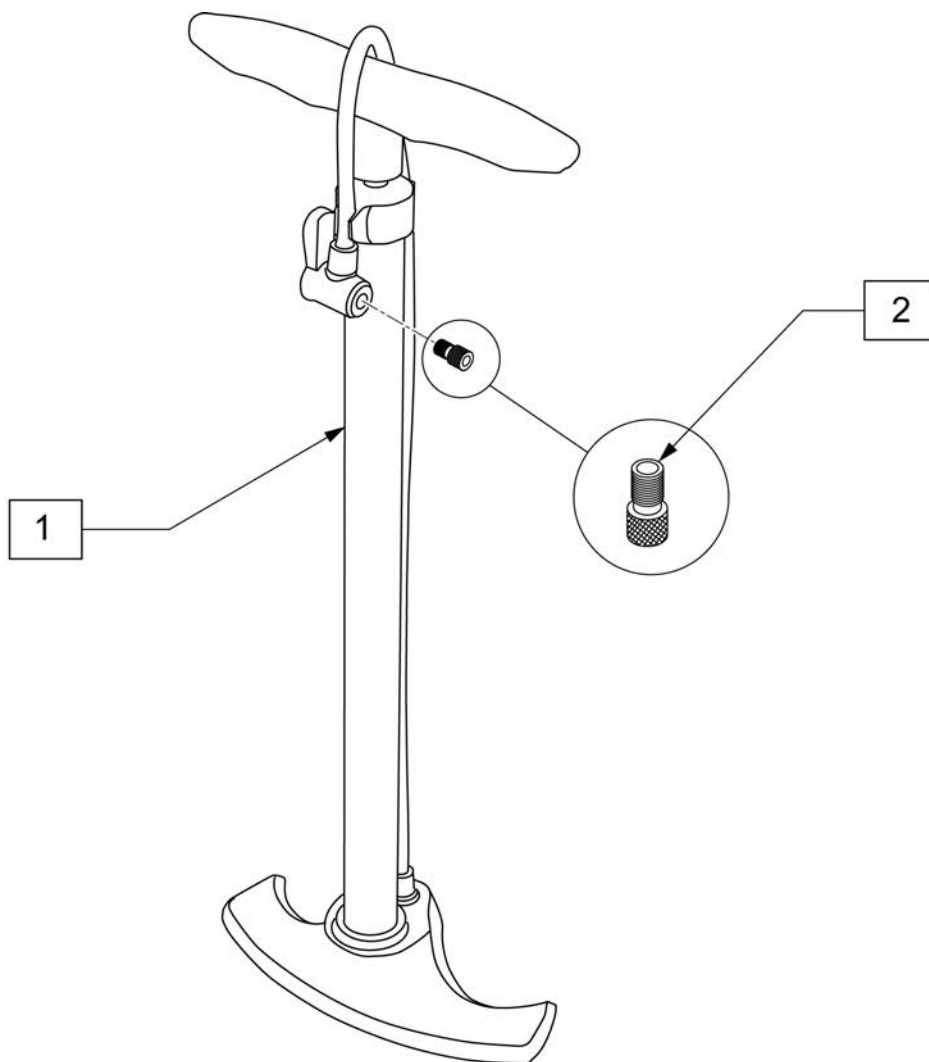
Pos.	Item Number	Description
1	561198	TUBE PLUG - 7/8" ROUND
2-5	9339000001	O2 TANK HOLDER RING SET
6	9453190001	O2 (FRAME) TUBE - TC
7	9650501012	NYLOCK NUT 1/4-20 ZPS
8	9616100412	SMS #8 x 3/4 RHP ZPS
9	9610710808	MACH SCREW 1/4-20 SShs 1/2 SS
10	9611000916	MACH SCREW 1/4-20 x 1 SBHCS ANS
11	9481010101	O2 CLAMP BLOCK (ATTACH)
12	9611000920	MACH SCREW 1/4-20 x 1-1/4 SBHCS ANS
13	9510401003	O2 HOLDER BRACKET - UPPER
14	9670320804	SPACER 1/4"x1/2"x1/4" NYLON
15	9492030801	RUBBER BAND - 1" WIDE - EPDM
16	9530402001	O2 (BRACKET) LOCK LEVER
17	9510602001	O2 HOLDER BRACKET (LOWER)
9-11	9180105003	MNTG BRACKET ASSY ACCESSORY
1-17	9180107003	O2 TANK HOLDER ASSEMBLY



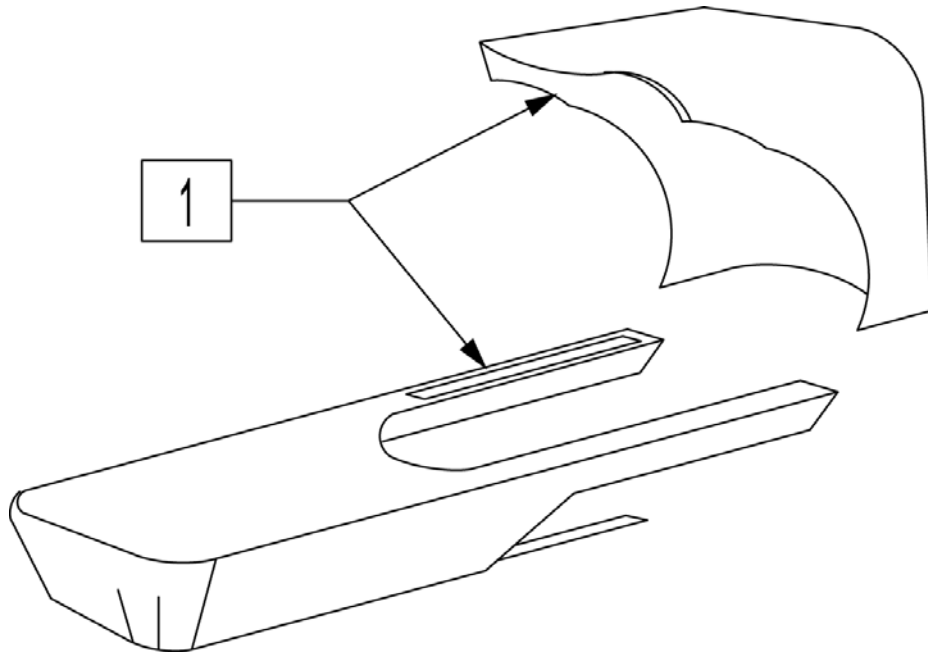
Pos.	Item Number	Description	Pos.	Item Number	Description
1	9761100002	HAND KNOB #10-24 x 1/2 - BLACK	13	9492030801	RUBBER BAND - 1" WIDE - EPDM
2	9530101001	IV POLE LOCK COLLAR	14	9530402001	O2 LOCK LEVER
3	9610710808	MACH SCREW 1/4-20 SShs 1/2 SS	15	9650501012	NYLOCK NUT 1/4-20 ZPS
4	9510401003	O2 HOLDER BRACKET - UPPER	16	9470420701	IV HOOK
5	9530102001	IV HOLDER BLOCK	17	9530101002	IV HOOK LOCK COLLAR
6	9453190001	O2 (FRAME) TUBE	18	9471020101	IV HOOK ADJ COLLAR
7	9510304001	IV POLE BRACKET - LOWER	19	9627020903	SET SCREW #8-32 x 3/16 ANS
8	9616100412	SMS #8 x 3/4 PHP ZPS	20	9451550001	IV POLE
9	9611000916	MACH SCREW 1/4-20 x 1 SBHCS ANS	3, 9, 10	9180105003	MNTG BLOCK ASSEMBLY ACCESSORY
10	9481010101	O2 CLAMP BLOCK	1-15	9180105006	IV POLE BASE ASSY ONLY
11	9611000920	MACH SCREW 1/4-20 x 1-1/4 SBHCS ANS	1, 16-20	9180105002	IV POLE ASSEMBLY w/o BASE
12	9670320804	SPACER 1/4"x1/2"x1/4" NYLON	1-20	9180105005	IV POLE ASSEMBLY w/BASE



Pos.	Item Number	Description
1	561198	TUBE PLUG 7/8" ROUND
2	9530101001	IV POLE LOCK COLLAR
3-6	9339000001	O2 TANK HOLDER RING SET
7	9453190001	O2 (FRAME) TUBE
8	9650501012	NYLOCK NUT 1/4-20 ZPS
9	9616100412	SMS #8 x 3/4 RHP ZPS
10	9610710808	MACH SCREW 1/4-20 SShS 1/2 SS
11	9611000916	MACH SCREW 1/4-20 x 1
12	9481010101	O2 CLAMP BLOCK (ATTACH)
13	9611000920	MACH SCREW 1/4-20 x 1-1/4
14	9510401003	O2 HOLDER BRACKET - UPPER
15	9670320804	SPACER 1/4"x1/2"x1/4" NYLON
16	9492030801	RUBBER BAND - 1" WIDE - EPDM
17	9530402001	O2 (BRACKET) LOCK LEVER
18	9510602001	O2 HOLDER BRACKET (LOWER)
19	9470420701	IV HOOK
20	9530101002	IV HOOK LOCK COLLAR
21	9471020101	IV HOOK ADJ. COLLAR
22	9627020903	SET SCREW #8-32 x 3/16
23	9451550001	IV POLE - TC
10-12	9180105003	MNTG BRACKET ASSY ACCESSORY
1-23	9180107004	O2 TANK HOLDER & IV POLE ASSY
24	9761100002	KNOB #10-24 x 1/2 - BLACK



Pos.	Item Number	Description
1	389050	TIRE PUMP
2	381230	VALVE ADAPTER PRESTA



Pos.	Item Number	Description	Remarks
1	751004	RAIN CAPE, XP - JAZZ (PATTERN)	Color discontinued, parts only
1	751005	RAIN CAPE, XP - CLASSIC (NAVY)	Color discontinued, parts only
1	751006	RAIN CAPE, XP - ORIGINAL (TEAL)	Color discontinued, parts only
1	102901	RAIN CAPE, XP - RED/BLACK	Color discontinued, parts only
1	102902	RAIN CAPE, XP - KHAKI/SMOKE	Color discontinued, parts only
1	211467	RAIN CAPE, XP - GENERIC	Color discontinued, parts only
1	211512	RAIN CAPE XP GREY	