

Mark For: Date: _____ Dealer Acct #: _____ Dealer: _____ Dealer Contact: _____ Dealer Address: _____ Dealer City: _____ PV: _____ PC: _____ Dealer Phone: () _____ Fax: () _____ Confirmation Email: _____ Confirm Via: <input type="checkbox"/> Fax <input type="checkbox"/> Email	Submitting for: <input type="checkbox"/> Quote <input type="checkbox"/> Order PO#: _____ <p align="center">ADDITIONAL SHIPPING INFORMATION</p> Ship To: _____ Attention: _____ Address: _____ Address: _____ Ship To City: _____ PV: _____ PC: _____ Ship To Phone: () _____ Fax: () _____
---	---

✓ Option #	Definition	Price	✓ Option #	Definition	Price
------------	------------	-------	------------	------------	-------

1. FRAME

Base Model			
<input type="checkbox"/>	208WM105	Quickie Access	\$3,800.00
<input type="checkbox"/>	208WM110	Quickie Access - Transit included	\$3,800.00

Transit			
<input type="checkbox"/>	208TO45	Transit Option	NC

Pre-Set Tilt Angle			
<i>Certain wheel combinations will limit the seat angle</i>			
<input type="checkbox"/>	208TA11	-5° to 20° Degree Tilt	NC
<input type="checkbox"/>	208TA12	0° to 25° Degree Tilt	NC

Frame Options			
<input type="checkbox"/>	208FS23	Standard Base and Seat Frame <i>(Maximum Weight: 300 lbs)</i>	NC

Tilt Release Options			
<input type="checkbox"/>	208TT8	Foot Release <i>NA with 19"-22" Depth and Flip Back Height Adj. Arms</i> <input type="checkbox"/> Left <input type="checkbox"/> Right (Facing from rear)	NC
<input type="checkbox"/>	208TT12	Backrest trigger cable release	NC

User's Weight			
<i>Gas spring selection depends User's weight selection.</i>			
<input type="checkbox"/>	208WG26	Up to 150 lbs	NC
<input type="checkbox"/>	208WG27	151 - 180 lbs	NC
<input type="checkbox"/>	208WG28	181 - 210 lbs	NC
<input type="checkbox"/>	208WG29	211 - 240 lbs	NC
<input type="checkbox"/>	208WG30	241 - 270 lbs	NC
<input type="checkbox"/>	208WG31	271 - 300 lbs	NC



QUICKIE[®]

ACCESS

✓ Option # Definition Price ✓ Option # Definition Price

2. SIZE / SEATING

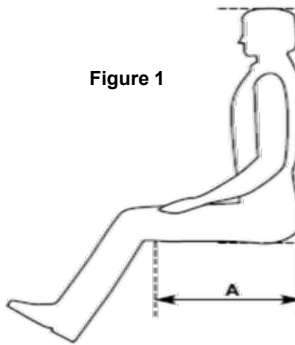
Frame Width			
21" & 22" NA w/ removable stroller handle extension or back upholsteries.			
Small Frame 14" - 16"			
<input type="checkbox"/>	208W5	14"	NC
<input type="checkbox"/>	208W6	15"	NC
<input type="checkbox"/>	208W7	16"	NC
Large Frame 17" - 22"			
<input type="checkbox"/>	208W8	17"	NC
<input type="checkbox"/>	208W9	18"	NC
<input type="checkbox"/>	208W10	19"	\$296.00
<input type="checkbox"/>	208W11	20"	\$296.00
<input type="checkbox"/>	208W12	21"	\$296.00
<input type="checkbox"/>	208W13	22"	\$296.00

Seat Depth			
See Figure 1 Dimension A for measurement <i>Foot release tilt option NA w/19"-22"</i> . <i>Flip Back Height Adj arms NA on 21" or 22" seat depths.</i>			
Short 14" - 16"			
<input type="checkbox"/>	208SD7	14"	NC
<input type="checkbox"/>	208SD8	15"	NC
<input type="checkbox"/>	208SD9	16"	NC
Medium 16" - 18"			
<input type="checkbox"/>	208SD9	16"	NC
<input type="checkbox"/>	208SD10	17"	NC
<input type="checkbox"/>	208SD11	18"	NC
Long 18" - 20"			
<input type="checkbox"/>	208SD11	18"	NC
<input type="checkbox"/>	208SD12	19"	\$296.00
<input type="checkbox"/>	208SD13	20"	\$296.00
Extra Long 20" - 22"			
<input type="checkbox"/>	208SD13	20"	\$296.00
<input type="checkbox"/>	208SD14	21"	\$296.00
<input type="checkbox"/>	208SD33	22"	\$296.00

Seat Type			
<input type="checkbox"/>	208ST35	Standard Seat Pan <i>For growth ranges, see Figure 1.5</i>	\$237.00
<input type="checkbox"/>	208ST54	Omit seat Pan	NC

JAY Cushions (Optional)			
<i>To order any JAY cushions on-chair, please see the JAY price list. Cushion name or part number must be filled out with desired width and depth.</i>			
<input type="checkbox"/>	208JC20	JAY Bundled Cushion Cushion Name/Part #: Width: _____ Depth: _____	Price List

Custom Seating			
<input type="checkbox"/>	208QC01	JAY Custom (AES/JCF)	NC
<input type="checkbox"/>	208QC02	JAY Surefit	NC
<input type="checkbox"/>	208QC03	JAY Fit	NC



Frame Width	Seat Pan Growth
14"	14" - 16"
15"	15" - 16"
16"	16" - 18"
17"	17" - 18"
18"	18" - 20"
19"	19" - 20"
20"	20" - 22"
21"	21" - 22"
22"	NA

3. CASTERS / SEAT HEIGHTS / REAR WHEELS

Front Seat Height	
12"-12.5" with 4" casters are limited to a 1.5" floor clearance.	

Rear Wheel Size	CASTER SIZE							
	4"	5"	6"	7"	8" x 1"	8" x 1.5"	8" x 2"	
12" - 24"	<input type="checkbox"/>	<input type="checkbox"/>	<input type="checkbox"/>					
	<input type="checkbox"/>	<input type="checkbox"/>	<input type="checkbox"/>					
	<input type="checkbox"/>	<input type="checkbox"/>	<input type="checkbox"/>	<input type="checkbox"/>			<input type="checkbox"/>	<input type="checkbox"/>
	<input type="checkbox"/>	<input type="checkbox"/>	<input type="checkbox"/>	<input type="checkbox"/>	<input type="checkbox"/>	<input type="checkbox"/>	<input type="checkbox"/>	<input type="checkbox"/>
	<input type="checkbox"/>	<input type="checkbox"/>	<input type="checkbox"/>	<input type="checkbox"/>	<input type="checkbox"/>	<input type="checkbox"/>	<input type="checkbox"/>	<input type="checkbox"/>
	<input type="checkbox"/>	<input type="checkbox"/>	<input type="checkbox"/>	<input type="checkbox"/>	<input type="checkbox"/>	<input type="checkbox"/>	<input type="checkbox"/>	<input type="checkbox"/>
	<input type="checkbox"/>	<input type="checkbox"/>	<input type="checkbox"/>	<input type="checkbox"/>	<input type="checkbox"/>	<input type="checkbox"/>	<input type="checkbox"/>	<input type="checkbox"/>
	<input type="checkbox"/>	<input type="checkbox"/>	<input type="checkbox"/>	<input type="checkbox"/>	<input type="checkbox"/>	<input type="checkbox"/>	<input type="checkbox"/>	<input type="checkbox"/>
	<input type="checkbox"/>	<input type="checkbox"/>	<input type="checkbox"/>	<input type="checkbox"/>	<input type="checkbox"/>	<input type="checkbox"/>	<input type="checkbox"/>	<input type="checkbox"/>
	<input type="checkbox"/>	<input type="checkbox"/>	<input type="checkbox"/>	<input type="checkbox"/>	<input type="checkbox"/>	<input type="checkbox"/>	<input type="checkbox"/>	<input type="checkbox"/>
	<input type="checkbox"/>	<input type="checkbox"/>	<input type="checkbox"/>	<input type="checkbox"/>	<input type="checkbox"/>	<input type="checkbox"/>	<input type="checkbox"/>	<input type="checkbox"/>
	<input type="checkbox"/>	<input type="checkbox"/>	<input type="checkbox"/>	<input type="checkbox"/>	<input type="checkbox"/>	<input type="checkbox"/>	<input type="checkbox"/>	<input type="checkbox"/>
	<input type="checkbox"/>	<input type="checkbox"/>	<input type="checkbox"/>	<input type="checkbox"/>	<input type="checkbox"/>	<input type="checkbox"/>	<input type="checkbox"/>	<input type="checkbox"/>
	<input type="checkbox"/>	<input type="checkbox"/>	<input type="checkbox"/>	<input type="checkbox"/>	<input type="checkbox"/>	<input type="checkbox"/>	<input type="checkbox"/>	<input type="checkbox"/>
	<input type="checkbox"/>	<input type="checkbox"/>	<input type="checkbox"/>	<input type="checkbox"/>	<input type="checkbox"/>	<input type="checkbox"/>	<input type="checkbox"/>	<input type="checkbox"/>
	<input type="checkbox"/>	<input type="checkbox"/>	<input type="checkbox"/>	<input type="checkbox"/>	<input type="checkbox"/>	<input type="checkbox"/>	<input type="checkbox"/>	<input type="checkbox"/>
	<input type="checkbox"/>	<input type="checkbox"/>	<input type="checkbox"/>	<input type="checkbox"/>	<input type="checkbox"/>	<input type="checkbox"/>	<input type="checkbox"/>	<input type="checkbox"/>
	<input type="checkbox"/>	<input type="checkbox"/>	<input type="checkbox"/>	<input type="checkbox"/>	<input type="checkbox"/>	<input type="checkbox"/>	<input type="checkbox"/>	<input type="checkbox"/>

Axle Plate			
<input type="checkbox"/>	208AL33	Standard Axle Plate	NC

Casters			
<input type="checkbox"/>	208CW3	4" Low Profile Polyurethane <i>N/A w/ HD package</i>	NC
<input type="checkbox"/>	208CW72	4" x 1" Aluminum Polyurethane	\$70.00
<input type="checkbox"/>	208CW31	4" Micro Lighted	\$105.00
<input type="checkbox"/>	208CW53	5" x 1" Polyurethane	NC
<input type="checkbox"/>	208CW7	5" x 1.5" Semi Pneumatic	\$105.00
<input type="checkbox"/>	208CW45	6" x 1" Polyurethane	NC
<input type="checkbox"/>	208CW35	6" x 1.5" Semi Pneumatic	\$105.00
<input type="checkbox"/>	208CW16	7" Polyurethane	NC
<input type="checkbox"/>	208CW46	8" x 1" Polyurethane	NC
<input type="checkbox"/>	208CW39	8" x 1.5" Semi Pneumatic	\$140.00
<input type="checkbox"/>	208CW37	8" x 2" Pneumatic w/Insert	\$378.00

Rear Wheel			
<input type="checkbox"/>	208RW13	12" Mag Wheel	NC
<input type="checkbox"/>	208RW14	16" Mag Wheel	NC
<input type="checkbox"/>	208RW51	24" Spoke Wheel	NC
<input type="checkbox"/>	208RW103	20" Mag Wheel 5 Spoke	NC
<input type="checkbox"/>	208RW104	22" Mag Wheel 5 Spoke	NC
<input type="checkbox"/>	208RW102	24" Mag Wheel 5 Spoke	NC
<input type="checkbox"/>	208RW150	24" Drum brake wheel - 36 spokes	NC

Rear Wheel Tire			
<input type="checkbox"/>	208RT3	Full Polyurethane	NC
<input type="checkbox"/>	208RT4	Low Polyurethane	NC
<input type="checkbox"/>	208RT1	Pneumatic	NC
<input type="checkbox"/>	208RT2	Pneumatic Airless Insert	\$237.00

Rear Tire & Wheel Matrix

Tire	Rear Wheel			
	5 Spoke Mag	Spoke	Mag Wheel	Drum Brake
Pneumatic	20,22,24	24	12,16	24
Pneumatic w/ Airless Insert	20,22,24	24	12,16	24
Full Poly	20,22,24	24	N/A	24
Low Poly	N/A	N/A	12	N/A

12" = 203mm 16" = 305mm 20" = 451mm 22" = 501mm 24" = 540mm

✓ Option #	Definition	Price	✓ Option #	Definition	Price
------------	------------	-------	------------	------------	-------

3. CASTERS / SEAT HEIGHTS / REAR WHEELS (CONT)

Handrim			
<i>12" and 16" wheels not available with hand rims. See matrix for availability</i>			
<input type="checkbox"/>	208HR1	Aluminum Anodized	NC
<input type="checkbox"/>	208HR4	Plastic Coated	\$140.00
<input type="checkbox"/>	208HR22	Natural Fit - Standard Grip	\$359.00
<input type="checkbox"/>	208HR23	Natural Fit - Super Grip	\$418.00
<input type="checkbox"/>	208HR25	Natural Fit - No Thumb Grip	\$359.00
<input type="checkbox"/>	208HR30	Natural Fit LT - Standard Grip	\$500.00
<input type="checkbox"/>	208HR31	Natural Fit LT - Super Grip	\$569.00
<input type="checkbox"/>	208HR32	Natural Fit LT - No Thumb Grip	\$536.00
<input type="checkbox"/>	208HR7	Omit Handrim	-\$12.00

Axle			
<input type="checkbox"/>	208AX1	Quick Release Axles	NC
<input type="checkbox"/>	208AX17	Threaded Axles <i>N/A w/ 24" spoke wheels & 5 Spoke Mags</i>	NC

Rear Wheel & Handrim Matrix

Handrim	Rear Wheel		
	5 Spoke Mag	Spoke	Drum Brake
Aluminum Anodized	20,22,24	24	24
Plastic Coat	20,22,24	24	24
Natural Fit - Standard Grip	24	24	
Natural Fit - No Thumb Grip	24	24	
Natural Fit - Super Grip	24	24	
Natural Fit LT - Standard Grip	24	24	
Natural Fit LT - Super Grip	24	24	
Natural Fit LT - No Thumb Grip	24	24	

4. WHEEL LOCKS

Wheel Lock			
<input type="checkbox"/>	208WL8	Push to Lock	NC
<input type="checkbox"/>	208WL41	Attendant Wheel Lock (Foot Lock) NA w/ ext handles. NA w/19"-22" Depth and Flip Back Height Adj. Arms	\$86.00
<input type="checkbox"/>	208WL79	Drum Brake	\$671.00
<input type="checkbox"/>	208WL10	Omit Wheel Lock	NC

Extension Handle			
<input type="checkbox"/>	208EH7	6" Pair	\$70.00

Hub Lock			
<i>Only available with smaller wheels</i>			
<input type="checkbox"/>	208LK01	12" Hub Lock	\$156.00
<input type="checkbox"/>	208LK02	16" Hub Lock	\$156.00

5. HANGER AND FOOTREST

Hangers			
<i>Footrests mount to extension tubes</i>			
<input type="checkbox"/>	208H145	60° Swing In/Swing Out	NC
<input type="checkbox"/>	208H139	70° Swing In/Swing Out	NC
<input type="checkbox"/>	208H141	80° Swing In/Swing Out <i>NA w/ 8" casters</i>	NC
<input type="checkbox"/>	208H160	Elevating Hanger - Ext Mount.	\$326.00
<input type="checkbox"/>	208H159	Articulating Hanger	\$505.00
<input type="checkbox"/>	208H32	Omit Hanger	-\$16.00

Footrest Options			
<input type="checkbox"/>	208HL1	Heel Loop	NC
<input type="checkbox"/>	208HL5	Leg Strap	NC
<input type="checkbox"/>	208IG2	Impact Guard Neoprene <i>Only available w/ 60° or 70° ext. mount hanger</i>	\$59.00

Extension Tubes			
<input type="checkbox"/>	208E1	Short	NC
<input type="checkbox"/>	208E2	Medium <i>NA with 12.5" seat height</i>	NC
<input type="checkbox"/>	208E5	Long <i>NA with 12.5" seat height</i>	NC
<input type="checkbox"/>	208E16	High Mount <i>N/A with ELR/ALR hangers. Only available with adult footplates</i>	\$94.00

JAY Positioning			
<input type="checkbox"/>	208K3	Left JAY Lower Extremity S/A support	NC
		<input type="checkbox"/> 208K23 Pad 6" x 8" Left	NC
		<input type="checkbox"/> 208K25 Pad 8" x 10" Left	NC
<input type="checkbox"/>	208K4	Right JAY Lower Extremity S/A support	NC
		<input type="checkbox"/> 208K22 Pad 6" x 8" Right	NC
		<input type="checkbox"/> 208K24 Pad 8" x 10" Right	NC
<input type="checkbox"/>	208K2	Omit Hanger <input type="checkbox"/> Left <input type="checkbox"/> Right	-\$16.00

Footrest Footplates			
<i>Heel loop or leg strap not included. See Footplate Options Section</i>			
<input type="checkbox"/>	208F1	Composite	NC
<input type="checkbox"/>	208F271	Composite Angle Adj-(16"-22"w)	\$169.00
<input type="checkbox"/>	208F5	Aluminum <i>Only available w/ELR & ALR</i>	NC
<input type="checkbox"/>	208F3	Adult Angle Adjustable - Ext Mount	\$169.00
<input type="checkbox"/>	208F7	Omit Footplate and Ext. Tube	-\$16.00

Articulating / Elevating Hanger Cover			
<input type="checkbox"/>	208DI47	Neoprene Cover	\$312.00
<input type="checkbox"/>	208DI48	Gel Pad Cover	\$365.00

6. BACKREST / SEATING

Backpost Style - (Choose ONE Option - A, B, C)

A. Stroller Handle Backpost (Fixed)				A
<input type="checkbox"/>	208BP9	Low (18")	NC	
<input type="checkbox"/>	208BP10	Medium (21")	NC	
<input type="checkbox"/>	208BP11	Tall (24")	NC	

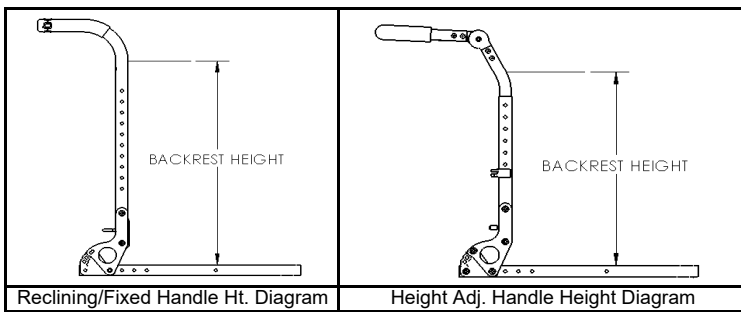
OR			
B. Height Adjustable Back w/ Adj. Stroller Handles			
Select desired Push Handle			
<input type="checkbox"/>	208PH8	Standard Push Handle	NC
<input type="checkbox"/>	208PH9	Long Push Handle	NC
AND select desired Back Cane			
<input type="checkbox"/>	208B200	Standard 15"-21"	NC
<input type="checkbox"/>	208B201	Tall 18"-24"	NC

OR			
C. Reclining Backrest (0-50°)			
<i>NA w/ 22" Deep Frame and Flip Back Height Adj. Arms</i>			
<input type="checkbox"/>	208BT21	Reclining Backrest	\$1,509.00
		<input type="checkbox"/> 208B5 Medium	NC
		<input type="checkbox"/> 208B9 Tall	NC
<input type="checkbox"/>	208BP64	Angle Adj stroller handles <i>Height adj range 19"- 23"</i>	\$199.00
		<input type="checkbox"/> 208PH8 Standard push handle	NC
		<input type="checkbox"/> 208PH9 Long push handle	NC

Backrest Options and Accessories			
<input type="checkbox"/>	208BP13	Removable Extension <i>NA w/ 21"-22" frame width, height adj back with adj stroller handles</i>	\$169.00
<input type="checkbox"/>	208BT101	Dynamic Backrest <i>NA w/ Reclining Backrest or 19"-22" seat depths and Flip Back Height Adj. Arms will add 1.25" to the seat depth.</i>	\$1,498.00

JAY J3 Back			
<input type="checkbox"/>	208JB01	JAY J3 Back <i>NA w/ O2 Holder</i>	See OF

Backrest Upholstery			
<i>ONLY Available with Low Fixed, Medium Fixed, Standard Height Adjustable (15"-21" back height) stroller handles and in 14"-20" widths. N/A with Dynamic, Reclining Backrest, O2 holder, IV Pole, JAY Anterior Thoracic Support and JAY Padded Trunk Strap Accessories. Towel bar included. EXO Tension Adj upholstery binding is Standard black.</i>			
<input type="checkbox"/>	208BU70	Backrest Tension Adjust Ballistic <i>*Reference 186BU70 for billing</i>	\$182.00
<input type="checkbox"/>	208BU89	Backrest Tension Adj EXO <i>*Reference 186BU70 for billing</i>	\$431.00
Colors: <input type="checkbox"/> Silver <input type="checkbox"/> Orange <input type="checkbox"/> Red <input type="checkbox"/> Blue			



7. ARMREST

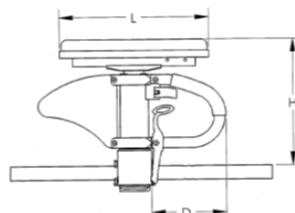
Armrest			
<input type="checkbox"/>	208AA65	*Flip Back Height Adj (LITE 8.5"-13.5")	\$366.00
<input type="checkbox"/>	208AA11	Single Post Height Adjustable - Std	\$326.00
<input type="checkbox"/>	208AA29	Single Post Height Adjustable - Low	\$326.00
<input type="checkbox"/>	208AA7	Length Adjustable Locking Flip-Up <i>NA w/ Contour Armpad</i>	\$326.00
<input type="checkbox"/>	208AA1	Adjustable Locking Flip-Up	\$326.00
<input type="checkbox"/>	208AA14	Omit Armrest	NC

Armrest Receiver (Single Post Height Adjustable Only)			
<input type="checkbox"/>	208AR17	Low	NC
<input type="checkbox"/>	208AR18	Std	NC

*Flip Back Height Adj. Arms N/A with Foot Release Tilt, Reclining Back, Dynamic Back, Attendant/ Foot Release Wheel Locks, and 21" or 22" seat depths.

Armpad			
<i>Ergo armpad only available with Single post Height adj armrest</i>			
<input type="checkbox"/>	208AM23	Desk Length Classic	NC
<input type="checkbox"/>	208AM21	Desk Length Contour	NC
<input type="checkbox"/>	208AM24	Full Length Classic	NC
<input type="checkbox"/>	208AM22	Full Length Contour	NC
<input type="checkbox"/>	208AM9	Foam Short <i>Option for Length</i> <i>Adj Locking Flip Up</i>	NC
<input type="checkbox"/>	208AM10	Foam Long <i>Option for Length</i> <i>Adj Locking Flip Up</i>	NC
<input type="checkbox"/>	208AM27	Ergo armpad	NC

Armrest Matrix for Single Post					
Armrest Size	Transfer Tube Length D	Receiver	Classic Pad		
			H Range	Pad length L	
Std	8"	Std	10-3/4" to 15-3/4"	10-1/4"	14"
			Low		
Std	8"	Std	9" to 13"		
			Low	7-1/4" to 11-1/4"	
Low	5-1/4"	Low	Contour Pad		
			H Range	Pad length L	
Std	8"	Std	10" to 15"	10-1/2"	14-1/4"
			Low		
Std	8"	Std	8-1/2" to 12-1/2"		
			Low	6-3/4" to 10-3/4"	
Low	5-1/4"	Low	Ergo Pad		
			H Range	Pad length L	
Std	8"	Std	10-1/2" to 15-1/2"	11-3/4"	
			Low		8-3/4" to 13-3/4"
Std	8"	Std	9" to 13"		
			Low		7-1/4" to 11-1/4"



Option #	Definition	Price	Option #	Definition	Price
----------	------------	-------	----------	------------	-------

8. KEY OPTIONS AND ACCESSORIES

Anti Tips

Not ordered as separate line item.

<input type="checkbox"/>	208AT1	Anti Tips (Pair)	\$116.00
--------------------------	--------	------------------	----------

Positioning Belt

<input type="checkbox"/>	208ZZ25	JAY 2PT Belt 2" Push Btn No Pad	\$61.00
<input type="checkbox"/>	208ZZ26	JAY 2PT Belt 2" Push Btn 9.5" Pad	\$121.00
<input type="checkbox"/>	208ZZ14	JAY 2PT Belt 1.5" Push Btn No Pad	\$49.00
<input type="checkbox"/>	208ZZ15	JAY 2PT Belt 1.5" Push Btn 7.5" Pad	\$77.00
<input type="checkbox"/>	208A117	2" Aircraft Buckle w/Clamps	\$134.00
<input type="checkbox"/>	208A118	2" Aircraft Buckle Pad w/Clamp	\$196.00
<input type="checkbox"/>	208A120	Positioning Belt Clamps Only	\$59.00

Wheelchair Tray Table

Only available if armrests are included. NA with JAY Arm Troughs.

<input type="checkbox"/>	208A30	Small (13"-14")	\$366.00
<input type="checkbox"/>	208A31	Medium (15"-17")	\$366.00
<input type="checkbox"/>	208A32	Large (18"-20")	\$366.00
<input type="checkbox"/>	208A33	X-Large (21"-22")	\$366.00

JAY Anterior Thoracic Support

Style

<input type="checkbox"/>	208JY01	Classic Dynamic	\$235.00
<input type="checkbox"/>	208JY02	Classic Structure	\$235.00
<input type="checkbox"/>	208JY03	Contour Dynamic	\$235.00
<input type="checkbox"/>	208JY04	Contour Structure	\$235.00
<input type="checkbox"/>	208JY05	Center Opening with Buckle	\$235.00

Size

<input type="checkbox"/>	208JZ01	Small	NC
<input type="checkbox"/>	208JZ02	Medium	NC
<input type="checkbox"/>	208JZ03	Large	NC
<input type="checkbox"/>	208JZ04	X-Large	NC

JAY Padded Trunk Strap

<input type="checkbox"/>	208JA01	Padded Trunk Strap - Small	\$235.00
<input type="checkbox"/>	208JA02	Padded Trunk Strap - Medium	\$235.00
<input type="checkbox"/>	208JA03	Padded Trunk Strap - Large	\$235.00
<input type="checkbox"/>	208JA04	Padded Trunk Strap - XL	\$235.00

Miscellaneous Accessories

<input type="checkbox"/>	208A1	Black Utility Backpack	\$107.00
<input type="checkbox"/>	208A8	Black Seat Pouch	\$80.00
<input type="checkbox"/>	208LS14	Extra Leg Strap Black	\$35.00
<input type="checkbox"/>	208A601	O2 Holder NA w/ Height Adj Stroller Handles. NA w/ Reclining Backrest	\$51,501.00
<input type="checkbox"/>	208A701	IV Pole	\$210.00
<input type="checkbox"/>	208A999	Quickie Water Bottle & Holder	\$78.00

9. COLOR

Standard Frame Color

Color options only to available to hangers, seat tubes on seat. Front and back extensions on the base

<input type="checkbox"/>	208C140	Aztec Gold	NC	<input type="checkbox"/>	208C44	Glossy White	NC
<input type="checkbox"/>	208C2	Black	NC	<input type="checkbox"/>	208C126	Glow	NC
<input type="checkbox"/>	208C141	Black Cherry	NC	<input type="checkbox"/>	208C144	Green Apple	NC
<input type="checkbox"/>	208C10	Black Opal	NC	<input type="checkbox"/>	208C147	Hot Sparkle Pink	NC
<input type="checkbox"/>	208C38	Blue Opal	NC	<input type="checkbox"/>	208C148	Mauve Pink	NC
<input type="checkbox"/>	208C36	Candy Blue	NC	<input type="checkbox"/>	208C103	Rootbeer	NC
<input type="checkbox"/>	208C14	Candy Purple	NC	<input type="checkbox"/>	208C114	Sparkle Silver	NC
<input type="checkbox"/>	208C35	Candy Red	NC	<input type="checkbox"/>	208C145	Sunrise Orange	NC
<input type="checkbox"/>	208C142	Electric Blue	NC	<input type="checkbox"/>	208C113	Titanium	NC
<input type="checkbox"/>	208C143	Evergreen	NC	<input type="checkbox"/>	208C8	Yellow	NC

Matte Frame Color

<input type="checkbox"/>	208C116	Matte Black	NC
<input type="checkbox"/>	208C151	Matte Black Cherry	NC
<input type="checkbox"/>	208C150	Matte Electric Blue	NC
<input type="checkbox"/>	208C149	Matte Evergreen	NC
<input type="checkbox"/>	208C152	Matte Purple	NC

Personalized Frame Color

<input type="checkbox"/>	208C112	Desert Camouflage	\$354.00
<input type="checkbox"/>	208C43	Mossy Oak Camouflage	\$354.00
<input type="checkbox"/>	208C42	Stars & Stripes	\$354.00
<input type="checkbox"/>	208C108	Zebra (Choose above base color) Std with White unless above base paint is chosen NA w/ Black	\$354.00

Anodized Color Package

Anodize package include Forks, axle plate, back plate.

<input type="checkbox"/>	208EB07	Black	NC
<input type="checkbox"/>	208EB08	Blue	\$204.00
<input type="checkbox"/>	208EB13	Gold	\$204.00
<input type="checkbox"/>	208EB09	Lime Green	\$204.00
<input type="checkbox"/>	208EB10	Purple	\$204.00
<input type="checkbox"/>	208EB11	Red	\$204.00
<input type="checkbox"/>	208EB12	Ti Grey	\$204.00

Additional Options Through Built for Me

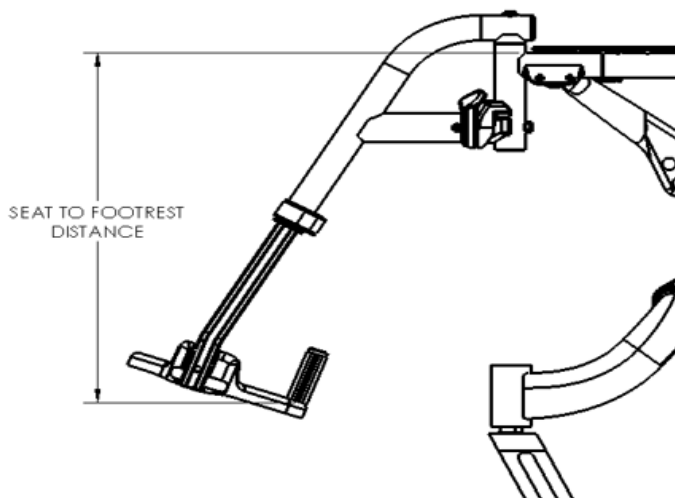
To inquire about any unique personalization for Quickie products, contact: Phone: (800) 263-3390, Fax: (800) 561 5834



Lower Leg Length Matrix

Front seat height must be at least 2" taller than lower leg length on all swing in/out hangers. Front seat height must be at least 2" taller than maximum lower leg length on all front mount hangers.

Hanger	Extension	Seat Pan to Top of Footrest	
		Min	Max
60° Swing In/Out	Short	8 1/2	14
	Med	8 1/2	15 1/2
	Long	9 1/2	17 1/2
70° Swing In/Out	Short	9 1/2	14 1/2
	Med	10	16 1/2
	Long	11 1/2	18 1/2
80° Swing In/Out	Short	10	14
	Med	13	16
	Long	13	18
ALR	Short	9	13
	Med	9	14 1/2
	Long	10	16 1/2
ELR	Short	9	13
	Medium	9	14 1/2
	Long	10	16 1/2



Sunrise Medical Canada Inc.
237 Romina Drive, Unit 3 • Concord, ON L4K 4V3 • Canada



JAY® Signature Series Backrest and Accessories

Note: Not all sizes and configurations shown below, for full offering visit www.sunrisemedical.ca
When ordering mark the part number desired and it will be added to the order as a separate line item.

JAY BACKREST

JAY J3 Posterior (PA) BACK - 2.2" Contour Depth

	Shell Height		Shell Width														
Mid Thoracic (MT)	12.0" (S)	J3PAMTSxxFS	<input type="checkbox"/>	12	\$854	<input type="checkbox"/>	14	\$854	<input type="checkbox"/>	16	\$854	<input type="checkbox"/>	18	\$854	<input type="checkbox"/>	20	\$854
		J3PAMTSxxTH	<input type="checkbox"/>	12	\$854	<input type="checkbox"/>	14	\$854	<input type="checkbox"/>	16	\$854	<input type="checkbox"/>	18	\$854	<input type="checkbox"/>	20	\$854

Upper Thoracic (UT)	16.5" (S)	J3PAUTSxxFS	<input type="checkbox"/>	12	\$952	<input type="checkbox"/>	14	\$952	<input type="checkbox"/>	16	\$952	<input type="checkbox"/>	18	\$952	<input type="checkbox"/>	20	\$952
		J3PAUTSxxTH	<input type="checkbox"/>	12	\$952	<input type="checkbox"/>	14	\$952	<input type="checkbox"/>	16	\$952	<input type="checkbox"/>	18	\$952	<input type="checkbox"/>	20	\$952
	18.0" (M)	J3PAUTMxxFS	<input type="checkbox"/>	14	\$952	<input type="checkbox"/>	16	\$952	<input type="checkbox"/>	18	\$952	<input type="checkbox"/>	20	\$952			
		J3PAUTMxxTH	<input type="checkbox"/>	14	\$952	<input type="checkbox"/>	16	\$952	<input type="checkbox"/>	18	\$952	<input type="checkbox"/>	20	\$952			
	19.5" (T)	J3PAUTTxxFS	<input type="checkbox"/>	14	\$952	<input type="checkbox"/>	16	\$952	<input type="checkbox"/>	18	\$952	<input type="checkbox"/>	20	\$952			
		J3PAUTTxxTH	<input type="checkbox"/>	14	\$952	<input type="checkbox"/>	16	\$952	<input type="checkbox"/>	18	\$952	<input type="checkbox"/>	20	\$952			

Shoulder Height (SH)	21.0" (S)	J3PASHSxxFS	<input type="checkbox"/>	14	\$981	<input type="checkbox"/>	16	\$981	<input type="checkbox"/>	18	\$981	<input type="checkbox"/>	20	\$981
		J3PASHSxxTH	<input type="checkbox"/>	14	\$981	<input type="checkbox"/>	16	\$981	<input type="checkbox"/>	18	\$981	<input type="checkbox"/>	20	\$981
	22.5" (M)	J3PASHMxxFS	<input type="checkbox"/>	16	\$981	<input type="checkbox"/>	18	\$981	<input type="checkbox"/>	20	\$981			
		J3PASHMxxTH	<input type="checkbox"/>	16	\$981	<input type="checkbox"/>	18	\$981	<input type="checkbox"/>	20	\$981			
	24.0" (T)	J3PASHTxxFS	<input type="checkbox"/>	18	\$981	<input type="checkbox"/>	20	\$981						
		J3PASHTxxTH	<input type="checkbox"/>	18	\$981	<input type="checkbox"/>	20	\$981						

JAY J3 Posterior Lateral (PL) BACK - 3" Contour Depth

Mid Thoracic (MT)	15.0" (T)	J3PLMTTxxFS	<input type="checkbox"/>	12	\$941	<input type="checkbox"/>	14	\$941	<input type="checkbox"/>	16	\$941	<input type="checkbox"/>	18	\$941	<input type="checkbox"/>	20	\$941
		J3PLMTTxxTH	<input type="checkbox"/>	12	\$941	<input type="checkbox"/>	14	\$941	<input type="checkbox"/>	16	\$941	<input type="checkbox"/>	18	\$941	<input type="checkbox"/>	20	\$941

Upper Thoracic (UT)	16.5" (S)	J3PLUTSxxFS	<input type="checkbox"/>	12	\$1,021	<input type="checkbox"/>	14	\$1,021	<input type="checkbox"/>	16	\$1,021	<input type="checkbox"/>	18	\$1,021	<input type="checkbox"/>	20	\$1,021
		J3PLUTSxxTH	<input type="checkbox"/>	12	\$1,021	<input type="checkbox"/>	14	\$1,021	<input type="checkbox"/>	16	\$1,021	<input type="checkbox"/>	18	\$1,021	<input type="checkbox"/>	20	\$1,021
	18.0" (M)	J3PLUTMxxFS	<input type="checkbox"/>	14	\$1,021	<input type="checkbox"/>	16	\$1,021	<input type="checkbox"/>	18	\$1,021	<input type="checkbox"/>	20	\$1,021			
		J3PLUTMxxTH	<input type="checkbox"/>	14	\$1,021	<input type="checkbox"/>	16	\$1,021	<input type="checkbox"/>	18	\$1,021	<input type="checkbox"/>	20	\$1,021			
	19.5" (T)	J3PLUTTxxFS	<input type="checkbox"/>	14	\$1,021	<input type="checkbox"/>	16	\$1,021	<input type="checkbox"/>	18	\$1,021	<input type="checkbox"/>	20	\$1,021			
		J3PLUTTxxTH	<input type="checkbox"/>	14	\$1,021	<input type="checkbox"/>	16	\$1,021	<input type="checkbox"/>	18	\$1,021	<input type="checkbox"/>	20	\$1,021			

Shoulder Height (SH)	21.0" (S)	J3PLSHSxxFS	<input type="checkbox"/>	14	\$1,050	<input type="checkbox"/>	16	\$1,050	<input type="checkbox"/>	18	\$1,050	<input type="checkbox"/>	20	\$1,050
		J3PLSHSxxTH	<input type="checkbox"/>	14	\$1,050	<input type="checkbox"/>	16	\$1,050	<input type="checkbox"/>	18	\$1,050	<input type="checkbox"/>	20	\$1,050
	22.5" (M)	J3PLSHMxxFS	<input type="checkbox"/>	16	\$1,050	<input type="checkbox"/>	18	\$1,050	<input type="checkbox"/>	20	\$1,050			
		J3PLSHMxxTH	<input type="checkbox"/>	16	\$1,050	<input type="checkbox"/>	18	\$1,050	<input type="checkbox"/>	20	\$1,050			
	24.0" (T)	J3PLSHTxxFS	<input type="checkbox"/>	18	\$1,050	<input type="checkbox"/>	20	\$1,050						
		J3PLSHTxxTH	<input type="checkbox"/>	18	\$1,050	<input type="checkbox"/>	20	\$1,050						

JAY J3 Posterior Deep (PD) BACK - 6" Contour Depth

Mid Thoracic (MT)	15.0" (T)	J3PDMTTxxFS	<input type="checkbox"/>	12	\$1,031	<input type="checkbox"/>	14	\$1,031	<input type="checkbox"/>	16	\$1,031	<input type="checkbox"/>	18	\$1,031	<input type="checkbox"/>	20	\$1,031
		J3PDMTTxxTH	<input type="checkbox"/>	12	\$1,031	<input type="checkbox"/>	14	\$1,031	<input type="checkbox"/>	16	\$1,031	<input type="checkbox"/>	18	\$1,031	<input type="checkbox"/>	20	\$1,031

Upper Thoracic (UT)	18.0" (M)	J3PDUTMxxFS	<input type="checkbox"/>	14	\$1,116	<input type="checkbox"/>	16	\$1,116	<input type="checkbox"/>	18	\$1,116	<input type="checkbox"/>	20	\$1,116
		J3PDUTMxxTH	<input type="checkbox"/>	14	\$1,116	<input type="checkbox"/>	16	\$1,116	<input type="checkbox"/>	18	\$1,116	<input type="checkbox"/>	20	\$1,116

Shoulder Height (SH)	21.0" (S)	J3PDSHSxxFS	<input type="checkbox"/>	14	\$854	<input type="checkbox"/>	16	\$854	<input type="checkbox"/>	18	\$854	<input type="checkbox"/>	20	\$854
		J3PDSHSxxTH	<input type="checkbox"/>	14	\$854	<input type="checkbox"/>	16	\$854	<input type="checkbox"/>	18	\$854	<input type="checkbox"/>	20	\$854

JAY J3 Back Whitmyer Headrest

AXYS Mount and Pad

<input type="checkbox"/>	J3HEDX8	AXYS Headrest with 8" Plush Pad	\$388.00
<input type="checkbox"/>	J3HEDX10	AXYS Headrest with 10" Plush Pad	\$388.00
<input type="checkbox"/>	J3HEDX14	AXYS Headrest with 14" Plush Pad	\$388.00
<input type="checkbox"/>	J3HEDXAAPN	AXYS with Adj-a-Plush Narrow Pad	\$530.00
<input type="checkbox"/>	J3HEDXAAPS	AXYS with Adj-a-Plush Std Pad	\$530.00

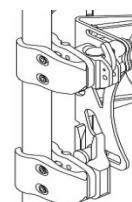
LINX Mount and Pad

<input type="checkbox"/>	J3HEDL8	LINX Headrest with 8" Plush Pad	\$345.00
<input type="checkbox"/>	J3HEDL10	LINX Headrest with 10" Plush Pad	\$345.00
<input type="checkbox"/>	J3HEDL14	LINX Headrest with 14" Plush Pad	\$345.00
<input type="checkbox"/>	J3HEDLAAPN	LINX with Adj-a-Plush Narrow Pad	\$487.00
<input type="checkbox"/>	J3HEDLAAPS	LINX with Adj-a-Plush Std Pad	\$487.00

JAY J3 Back Laterals Swing Away Laterals With Pad - Pair

<input type="checkbox"/>	JLATA44PR	SwingAway Lat with 4"x4" Pad (PR)	\$642.00	<input type="checkbox"/>	JLATA64PR	SwingAway Lat with 6"x4" Pad (PR)	\$642.00
<input type="checkbox"/>	JLATA45PR	SwingAway Lat with 4"x5" Pad (PR)	\$642.00	<input type="checkbox"/>	JLATA65PR	SwingAway Lat with 6"x5" Pad (PR)	\$642.00
<input type="checkbox"/>	JLATA46PR	SwingAway Lat with 4"x6" Pad (PR)	\$642.00	<input type="checkbox"/>	JLATA66PR	SwingAway Lat with 6"x6" Pad (PR)	\$642.00

FS Mounting Hardware



TH Mounting Hardware





JAY® Signature Series Cushions

Note: Not all sizes and configurations shown below, for full offering visit www.sunrisemedical.ca
 When ordering mark the part number desired and it will be added to the order as a separate line item .

JAY CUSHIONS

JAY Fusion Cushion			
<input type="checkbox"/>	JFUSION1416	JAY Fusion 14" x 16"	\$1,005.00
<input type="checkbox"/>	JFUSION1616	JAY Fusion 16" x 16"	\$1,005.00
<input type="checkbox"/>	JFUSION1618	JAY Fusion 16" x 18"	\$1,005.00
<input type="checkbox"/>	JFUSION1620	JAY Fusion 16" x 20"	\$1,005.00
<input type="checkbox"/>	JFUSION1717	JAY Fusion 17" x 17"	\$1,005.00
<input type="checkbox"/>	JFUSION1816	JAY Fusion 18" x 16"	\$1,005.00
<input type="checkbox"/>	JFUSION1818	JAY Fusion 18" x 18"	\$1,005.00
<input type="checkbox"/>	JFUSION1820	JAY Fusion 18" x 20"	\$1,005.00
<input type="checkbox"/>	JFUSION2018	JAY Fusion 20" x 18"	\$1,005.00
<input type="checkbox"/>	JFUSION2020	JAY Fusion 20" x 20"	\$1,005.00
<input type="checkbox"/>	JFUSION2220	JAY Fusion 22" x 20"	\$1,127.00

JAY Fusion Cushion w/ Single Valve Air Insert			
<input type="checkbox"/>	JFUSION1416AS	JAY Fusion 14" x 16"	\$1,005.00
<input type="checkbox"/>	JFUSION1616AS	JAY Fusion 16" x 16"	\$1,005.00
<input type="checkbox"/>	JFUSION1618AS	JAY Fusion 16" x 18"	\$1,005.00
<input type="checkbox"/>	JFUSION1620AS	JAY Fusion 16" x 20"	\$1,005.00
<input type="checkbox"/>	JFUSION1717AS	JAY Fusion 17" x 17"	\$1,005.00
<input type="checkbox"/>	JFUSION1816AS	JAY Fusion 18" x 16"	\$1,005.00
<input type="checkbox"/>	JFUSION1818AS	JAY Fusion 18" x 18"	\$1,005.00
<input type="checkbox"/>	JFUSION1820AS	JAY Fusion 18" x 20"	\$1,005.00
<input type="checkbox"/>	JFUSION2018AS	JAY Fusion 20" x 18"	\$1,005.00
<input type="checkbox"/>	JFUSION2020AS	JAY Fusion 20" x 20"	\$1,005.00
<input type="checkbox"/>	JFUSION2220AS	JAY Fusion 22" x 20"	\$1,127.00

JAY Fusion Cushion w/ Dual Valve Air Insert			
<input type="checkbox"/>	JFUSION1416AD	JAY Fusion 14" x 16"	\$1,021.00
<input type="checkbox"/>	JFUSION1616AD	JAY Fusion 16" x 16"	\$1,021.00
<input type="checkbox"/>	JFUSION1618AD	JAY Fusion 16" x 18"	\$1,021.00
<input type="checkbox"/>	JFUSION1620AD	JAY Fusion 16" x 20"	\$1,021.00
<input type="checkbox"/>	JFUSION1717AD	JAY Fusion 17" x 17"	\$1,021.00
<input type="checkbox"/>	JFUSION1816AD	JAY Fusion 18" x 16"	\$1,021.00
<input type="checkbox"/>	JFUSION1818AD	JAY Fusion 18" x 18"	\$1,021.00
<input type="checkbox"/>	JFUSION1820AD	JAY Fusion 18" x 20"	\$1,021.00
<input type="checkbox"/>	JFUSION2018AD	JAY Fusion 20" x 18"	\$1,021.00
<input type="checkbox"/>	JFUSION2020AD	JAY Fusion 20" x 20"	\$1,021.00
<input type="checkbox"/>	JFUSION2220AD	JAY Fusion 22" x 20"	\$1,144.00

JAY Union Cushion			
<input type="checkbox"/>	JU1416	JAY UNION 14" x 16"	\$735.00
<input type="checkbox"/>	JU1616	JAY UNION 16" x 16"	\$735.00
<input type="checkbox"/>	JU1618	JAY UNION 16" x 18"	\$735.00
<input type="checkbox"/>	JU1620	JAY UNION 16" x 20"	\$735.00
<input type="checkbox"/>	JU1717	JAY UNION 17" x 17"	\$735.00
<input type="checkbox"/>	JU1816	JAY UNION 18" x 16"	\$735.00
<input type="checkbox"/>	JU1818	JAY UNION 18" x 18"	\$735.00
<input type="checkbox"/>	JU1820	JAY UNION 18" x 20"	\$775.00
<input type="checkbox"/>	JU2018	JAY UNION 20" x 18"	\$775.00
<input type="checkbox"/>	JU2020	JAY UNION 20" x 20"	\$775.00
<input type="checkbox"/>	JU2220	JAY UNION 22" x 20"	\$775.00

JAY Union Reduced Profile Cushion			
<input type="checkbox"/>	JU1416RP	JAY Union RP 14" x 16"	\$735.00
<input type="checkbox"/>	JU1616RP	JAY Union RP 16" x 16"	\$735.00
<input type="checkbox"/>	JU1618RP	JAY Union RP 16" x 18"	\$735.00
<input type="checkbox"/>	JU1620RP	JAY Union RP 16" x 20"	\$735.00
<input type="checkbox"/>	JU1717RP	JAY Union RP 17" x 17"	\$735.00

JAY J2 Cushion			
<input type="checkbox"/>	2108-MJ	JAY J2 14" x 16"	\$800.00
<input type="checkbox"/>	2105-MJ	JAY J2 15.5" x 16"	\$800.00
<input type="checkbox"/>	2106-MJ	JAY J2 15.5" x 18"	\$800.00
<input type="checkbox"/>	2107-MJ	JAY J2 15.5" x 20"	\$921.00
<input type="checkbox"/>	2117-MJ	JAY J2 17" x 17"	\$800.00
<input type="checkbox"/>	2100-MJ	JAY J2 18" x 16"	\$800.00
<input type="checkbox"/>	2101	JAY J2 18" x 18"	\$800.00
<input type="checkbox"/>	2103-MJ	JAY J2 18" x 20"	\$921.00
<input type="checkbox"/>	2118-MJ	JAY J2 20" x 18"	\$904.00
<input type="checkbox"/>	2102-MJ	JAY J2 20" x 20"	\$1,069.00

JAY J2 Deep Contour Cushion			
<input type="checkbox"/>	2446	JAY J2 Deep Contour 14" x 16"	\$836.00
<input type="checkbox"/>	2466	JAY J2 Deep Contour 16" x 16"	\$836.00
<input type="checkbox"/>	2468	JAY J2 Deep Contour 16" x 18"	\$836.00
<input type="checkbox"/>	2460	JAY J2 Deep Contour 16" x 20"	\$908.00
<input type="checkbox"/>	2477	JAY J2 Deep Contour 17" x 17"	\$836.00
<input type="checkbox"/>	2486	JAY J2 Deep Contour 18" x 16"	\$836.00
<input type="checkbox"/>	2488	JAY J2 Deep Contour 18" x 18"	\$836.00
<input type="checkbox"/>	2480	JAY J2 Deep Contour 18" x 20"	\$908.00
<input type="checkbox"/>	2408	JAY J2 Deep Contour 20" x 18"	\$908.00
<input type="checkbox"/>	2400-MJ	JAY J2 Deep Contour 20" x 20"	\$1,051.00
<input type="checkbox"/>	2428	JAY J2 Deep Contour 22" x 18"	\$1,051.00

JAY X2 Cushion			
<input type="checkbox"/>	JX21416	JAY X2 14" x 16"	\$907.00
<input type="checkbox"/>	JX21616	JAY X2 16" x 16"	\$907.00
<input type="checkbox"/>	JX21618	JAY X2 16" x 18"	\$907.00
<input type="checkbox"/>	JX21620	JAY X2 16" x 20"	\$907.00
<input type="checkbox"/>	JX21717	JAY X2 17" x 17"	\$907.00
<input type="checkbox"/>	JX21816	JAY X2 18" x 16"	\$907.00
<input type="checkbox"/>	JX21818	JAY X2 18" x 18"	\$907.00
<input type="checkbox"/>	JX21820	JAY X2 18" x 20"	\$907.00
<input type="checkbox"/>	JX22020	JAY X2 20" x 20"	\$907.00

JAY Ion Cushion			
<input type="checkbox"/>	JION1416	JAY ION 14" x 16"	\$631.00
<input type="checkbox"/>	JION1616	JAY ION 16" x 16"	\$631.00
<input type="checkbox"/>	JION1618	JAY ION 16" x 18"	\$631.00
<input type="checkbox"/>	JION1620	JAY ION 16" x 20"	\$631.00
<input type="checkbox"/>	JION1717	JAY ION 17" x 17"	\$631.00
<input type="checkbox"/>	JION1816	JAY ION 18" x 16"	\$631.00
<input type="checkbox"/>	JION1818	JAY ION 18" x 18"	\$631.00
<input type="checkbox"/>	JION1820	JAY ION 18" x 20"	\$631.00
<input type="checkbox"/>	JION2018	JAY ION 20" x 18"	\$671.00
<input type="checkbox"/>	JION2020	JAY ION 20" x 20"	\$671.00
<input type="checkbox"/>	JION2220	JAY ION 22" x 20"	\$671.00

<input type="checkbox"/>	JU1816RP	JAY Union RP 18" x 16"	\$735.00
<input type="checkbox"/>	JU1818RP	JAY Union RP 18" x 18"	\$735.00
<input type="checkbox"/>	JU1820RP	JAY Union RP 18" x 20"	\$735.00
<input type="checkbox"/>	JU2018RP	JAY Union RP 20" x 18"	\$735.00
<input type="checkbox"/>	JU2020RP	JAY Union RP 20" x 20"	\$735.00