

ORDER FORM



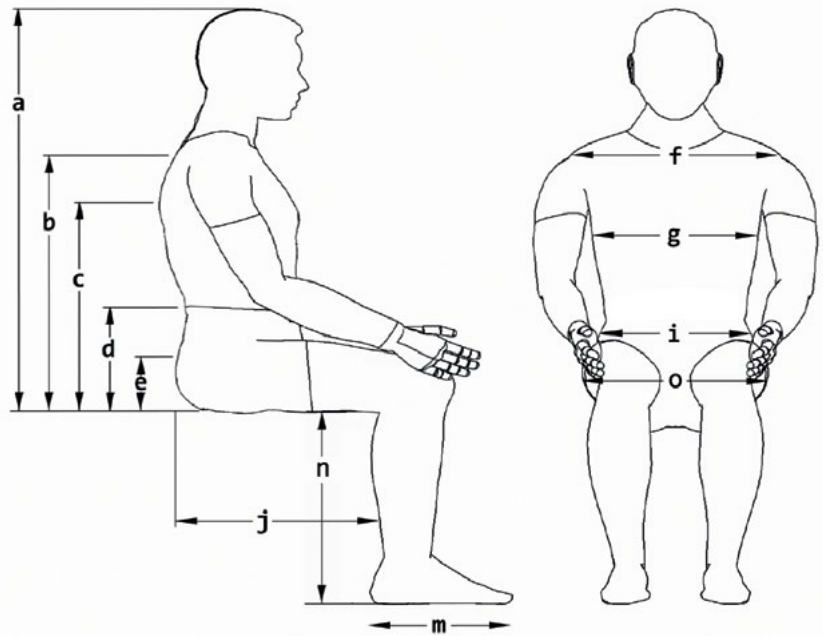
October 2024

Q300M with SEDEO[®] PRO[™] and JAY[®] Syncra[™] Seating **AADL - W577A**
EIPW40

| Customer | | Ship To | |
|-----------|--|----------|-------------|
| Account # | | Name | |
| Date | | Address | |
| PO# | | City | |
| Buyer | | Province | Postal Code |
| Mark For | | Phone | |

Client Measurements

| | |
|----------------------------|----|
| a) Top of head to seat | in |
| b) Top of shoulder to seat | in |
| c) Underarm to seat | in |
| d) Elbow to seat | in |
| e) Top of leg to seat | in |
| f) Shoulder width | in |
| g) Chest width | in |
| i) Hip width | in |
| j) Actual sitting depth | in |
| m) Foot length | in |
| n) Knee to foot | in |
| o) Seat width | in |



Notes

Chair Specifications

| | |
|--|---|
| Weights starting at: (with Batteries) | NPC: 287 lbs SPC: 312 lbs MPC: 322 lbs |
| Power Seating | 50° of CG Tilt and Power Recline with 4" mechanical sheer reduction / 12" seat elevator |
| Seat Type | SEDEO® PRO™ / JAY® Syncra™ |
| Seat Size Range | Width 16" to 22" Depth 14" to 22" |
| Seat-to-Floor Height Range | 16.5" to 19" |

Mid-Wheel Drive Base Specifications

| | |
|------------------------|--|
| Drive Wheel Position | Mid-wheel drive |
| User Weight Capacity | 300 lbs. |
| Base Size | Width 20.5", Length 33" |
| Minimum Turning Radius | 17" (excludes footplates) |
| Drive Control | R-net PM 90A / VR-2 90A |
| Driving Range | Up to 17 miles |
| Drive Motors | 4-pole 6 mph / 10 kph |
| Drive Wheels | 12" w/flat-free inserts (black) 14" w/flat-free inserts (black) |
| Casters | 7" front / 7" rear (black) |
| Charger | 8A Dual Mode (Compact) |
| Battery Size | 50Ah Group 22 |
| Color | 8 shroud colors and 7 color accents |
| Ground Clearance | 3" |

BASE

| OPTION | DESCRIPTION | RETAIL |
|--------|-------------|--------|
|--------|-------------|--------|

Standard Duty Mid Wheel Drive Base *End Item Number EIPW40 (PRO™ Seat)* \$

| | | |
|----------|---|------------|
| 400PC291 | Quickie Q300 M NPC No Power Option for SEDEO® PRO™ Seat Included in Base Pricing : Q300 M Base, VR-2 90amp Electronics for No Power Seat Functions, Six-Wheel Suspension, 12" Drive Wheels with Dual Density Inserts, 7" Flat Free Casters, ISO Occupied Tie-Down Brackets and 8amp Charger. Max Speed = 6mph, Weight Capacity = 300lbs., STFH = 16.5". (AADL Contract Price) | \$7,953.00 |
| 400PC292 | Quickie Q300 M SPC Single Power Option for SEDEO® PRO™ Seat Included in Base Pricing : Q300 M Base, VR-2 90amp Electronics for No Power Seat Functions, Six-Wheel Suspension, 12" Drive Wheels with Dual Density Inserts, 7" Flat Free Casters, ISO Occupied Tie-Down Brackets and 8amp Charger. Max Speed = 6mph, Weight Capacity = 300lbs., STFH = 16.5". (AADL Contract Price) | \$7,953.00 |
| 400PC293 | Quickie Q300 M MPC Tilt/Recline for SEDEO® PRO™ Seat Included in Base Pricing: Q300 M Base, VR-2 90amp Electronics for No Power Seat Functions, Six-Wheel Suspension, 12" Drive Wheels with Dual Density Inserts, 7" Flat Free Casters, ISO Occupied Tie-Down Brackets and 8amp Charger. Max Speed = 6mph, Weight Capacity = 300lbs., STFH = 16.5". (AADL Contract Price) | \$7,953.00 |

User Weight \$

| | | |
|---------|----------------|----|
| 400WG23 | Up to 300 lbs. | NC |
|---------|----------------|----|

Motor Package \$

| | | |
|---------|-----------------------|----|
| 400PF99 | 4-pole 10 kph / 6 mph | NC |
|---------|-----------------------|----|

Drive Wheels  P. 24 \$

| | | |
|---------|--|----|
| 400DW13 | Drive Wheel, 12", Solid, Knobby, Black | NC |
| 400DW58 | Drive Wheel, 14", Solid, Knobby, Black | NC |

Caster Wheels  P. 24 \$

| | | |
|---------|--------------------------------|----|
| 400CW59 | Caster Wheels 7", Solid, Black | NC |
|---------|--------------------------------|----|

Shroud Color \$

| | | |
|---------|-----------------|----|
| 400C164 | Black | NC |
| 400C165 | Candy Apple Red | NC |
| 400C166 | Candy Blue | NC |
| 400C167 | Candy Purple | NC |
| 400C176 | Green Apple | NC |
| 400C178 | Pearl Pink | NC |
| 400C182 | Silver | NC |
| 400C125 | White | NC |

| BASE | | | |
|---|--|--|------------|
| OPTION | | DESCRIPTION | RETAIL |
| Color Accents | | | \$ |
| <i>Note: Color Accents and Shroud Colors may not match.</i> | | | |
| 400EZ20 | | Apple Green | NC |
| 400EZ22 | | Black | NC |
| 400EZ21 | | Blue | NC |
| 400EZ23 | | Orange | NC |
| 400EZ24 | | Red | NC |
| 400EZ19 | | White | NC |
| 400EZ25 | | Silver | NC |
| ISO Transit Tie Downs | | | \$ |
| 400T050 | | ISO Transit Package | NC |
| LED Lights  P. 24 | | | \$ |
| 400LI04 | | LED Lights and Indicators (Client Cost) | \$1,207.00 |
| 400LI08 | | LED Fender Lights | \$636.00 |
| 400LI09 | | LED Fender Lights (Available w/Multi-Power only) | NC |
| 400LI02 | | Omit LED Lights | NC |
| Seat Heights | | | \$ |
| Seat Height Measured from front of seat pan to floor with 0° frame angle. Not all seat heights are available with all seat depths and power seating. Please see online configurator for full availability. | | | |
| 400HT103 | | 16.5" | NC |
| 400HT55 | | 17" | NC |
| 400HT104 | | 17.5" | NC |
| 400HT56 | | 18" | NC |
| 400HT105 | | 18.5" | NC |
| 400HT57 | | 19" | NC |
| Batteries and Chargers  P. 24 (AADL Contract Pricing) | | | \$ |
| Group 22 Battery | | | |
| 400AG35 | | GP22 / 50Ah Flat Top Pair | \$668.00 |
| Omit Batteries | | | |
| 400AG24 | | Battery Harnesses Only (Omit Batteries) | NC |
| Chargers | | | |
| 400BJ30 | | 10A Dual Mode (Compact) | \$160.00 |
| 400BJ19 | | 8A Dual Mode (Compact) | NC |

POWERED SEATING

| OPTION | DESCRIPTION | RETAIL |
|--------|-------------|--------|
|--------|-------------|--------|

Power Seating Options  P. 24 \$
Seat Elevator (Client Cost)

| | | |
|---------|---|------------|
| 400PI07 | Seat Elevator, Powered, 300 mm / 12" | \$3,426.00 |
| 400PI08 | C-Me® Seat Elevator, Powered, 300 mm / 12" (C-Me speed up to 3 mph) (N/A with VR-2) | \$3,426.00 |

Seat Tilt (AADL W992 for Power Tilt)

| | | |
|---------|--------------------|------------|
| 400PA48 | Posterior 50° Tilt | \$6,400.00 |
|---------|--------------------|------------|

Seat Recline (AADL W993 for Power Recline)

| | | |
|---------|--|------------|
| 400PA37 | 150° Powered Recline w/ 4" Shear Reduction | \$7,883.00 |
|---------|--|------------|

Seat Tilt/Recline (AADL W982TR for Power Tilt and Recline)

| | | |
|---------|--|-------------|
| 400PA41 | Posterior 50° Tilt and 150° Recline Powered, w/ 4" Shear Reduction | \$13,079.00 |
|---------|--|-------------|

Power Recline Backrest Preset Home Angle

| | | |
|--------|------------------------|----|
| 400QK1 | 90° | NC |
| 400QK2 | 95° (Default Position) | NC |

Pre Set Seat Frame Angle (No Power Seating Options, Increases Seat to Floor Height) \$

| | | |
|---------|----------------------|----|
| 400FA10 | 0° (Adds 0" to STFH) | NC |
| 400FA3 | 3° (Adds 1" to STFH) | NC |

Backrest Frame Type \$

| | | |
|---------|---|----------|
| 400BF16 | Tool Angle Adjustable Back, 90°-120° | NC |
| 400BF14 | User Adjustable Manual Semi-Recline Back, 90°-130°, Right (Adjustment Lever Mounted on Opposite Side of Joystick) | \$624.00 |
| 400BF15 | User Adjustable Manual Semi-Recline Back, 90°-130°, Left (Adjustment Lever Mounted on Opposite Side of Joystick) | \$624.00 |

Backrest Frame Option \$

| | | |
|---------|--------------------------|----------|
| 400BF13 | Flip Down, Quick Release | \$176.00 |
|---------|--------------------------|----------|

Back Cushion Type \$

| | | |
|----------|---|----------|
| 400BT134 | SEDEO® Back Cushion (Choose Seating in Section A) | NC |
| 400BT138 | JAY® Syncra™ (Choose Seating in Section B) | NC |
| 400BT135 | JAY® J3® (Choose Seating in Section C) | NC |
| 400BT137 | SEDEO® PRO™ Aftermarket Back Adapter (Height Adjustable Round Tubes for Traditional Mounting) | \$624.00 |
| 400BT133 | OMIT (For personalized Mounting. No Headrest Mount) | NC |

POWERED SEATING

| OPTION | DESCRIPTION | RETAIL |
|--------|-------------|--------|
|--------|-------------|--------|

A - SEDEO® Backrest Dimensions (Seating Benefits)

\$

Back Width

| | | |
|---------|-------------|----|
| 400BN28 | 400mm / 16" | NC |
| 400BN29 | 460mm / 18" | NC |
| 400BN30 | 500mm / 20" | NC |
| 400BN31 | 560mm / 22" | NC |

Back Shell Height

| | | Tool Angle Adjust. | 150° Recline | Installed Back Height | |
|---------|-------------|--------------------|--------------|-----------------------|----|
| 400B255 | 460mm / 18" | 22"-23" | 23"-25" | | NC |
| 400B256 | 560mm / 22" | 24"-27" | 26"-29" | | NC |
| 400B257 | 660mm / 26" | 28"-30" | 30" | | NC |

Installed Back Height - (From Pan to Top of Back)

| | | |
|---------|-----|----|
| 400JR32 | 22" | NC |
| 400JR33 | 23" | NC |
| 400JR34 | 24" | NC |
| 400JR35 | 25" | NC |
| 400JR36 | 26" | NC |
| 400JR37 | 27" | NC |
| 400JR38 | 28" | NC |
| 400JR39 | 29" | NC |
| 400JR40 | 30" | NC |

POWERED SEATING

| OPTION | DESCRIPTION | RETAIL |
|--------|-------------|--------|
|--------|-------------|--------|

B - JAY® Syncra™ Seating**B - JAY® Syncra™ Back  P. 23 (Seating Benefits) \$**

| | | |
|---------|---|------------|
| 400JP14 | JAY® Syncra™ Back 16-20" Wide with 3" Contour Depth | \$1,319.00 |
| 400JP15 | JAY® Syncra™ Back 22" Wide with 3" Contour Depth | \$1,319.00 |

B - JAY® Syncra™ Back Width \$

Back can be ordered a different width than seat pan. Armrest will be adjusted to back width ordered.

| | | |
|---------|---|----|
| 400JQ07 | 16" Wide (Adjustment range 16 to 17" Wide)* | NC |
| 400JQ08 | 18" Wide (Adjustment range 18 to 19" Wide)* | NC |
| 400JQ09 | 20" Wide (Adjustment range 20 to 21" Wide)* | NC |
| 400JQ10 | 22" Wide (Adjustment range 22 to 23" Wide) | NC |

*Additional +1" of shell width adjustment is achievable. Requires purchase of 1" larger foam and upholstery separately.

B - JAY® Syncra™ Back Shell Options and Height Ranges \$

JAY® Syncra™ Back shells are mounted with a minimim 5.5" gap between the bottom of the shell to the seat pan to accommodate the mechanical shear. Back height can be adjusted in the field with-in the ranges shown based on the back frame type.

JAY® Syncra™ Shell Height

| | | |
|---------|---|----|
| 400JR42 | 16" Tall Shell (22" to 24" Back Height) | NC |
| 400JR43 | 18" Tall Shell (24" to 26" Back Height) | NC |
| 400JR44 | 20" Tall Shell (26" to 28" Back Height) | NC |
| 400JR45 | 22" Tall Shell (28" to 30" Back Height) | NC |

JAY® Syncra™ Back Installed Back Height (From Pan to Top of Back)

| | | |
|---------|------------------------|----|
| 400JR50 | 22" (16" Shell Height) | NC |
| 400JR51 | 23" (16" Shell Height) | NC |
| 400JR52 | 24" (16" Shell Height) | NC |
| 400JR53 | 24" (18" Shell Height) | NC |
| 400JR54 | 25" (18" Shell Height) | NC |
| 400JR55 | 26" (18" Shell Height) | NC |
| 400JR56 | 26" (20" Shell Height) | NC |
| 400JR57 | 27" (20" Shell Height) | NC |
| 400JR58 | 28" (20" Shell Height) | NC |
| 400JR67 | 28" (22" Shell Height) | NC |
| 400JR68 | 29" (22" Shell Height) | NC |
| 400JR69 | 30" (22" Shell Height) | NC |

B - JAY® Syncra™ Back Upholstery \$

| | | |
|---------|-----------------------------|----|
| 400BU96 | Syncra™ Premium Leatherette | NC |
| 400BU97 | Syncra™ Stretch | NC |

POWERED SEATING

| OPTION | DESCRIPTION | RETAIL |
|--------|-------------|--------|
|--------|-------------|--------|

C - JAY® J3® Back**C - JAY® J3® Back - Contour  P. 24 (Seating Benefits) \$**

| | | |
|---------|--|------------|
| 400JP01 | J3® PA Back for 16"-20" Wide | \$899.00 |
| 400JP02 | J3® PA Back for 22" Wide | \$1,912.00 |
| 400JP11 | J3® PL Back for 16"-20" Wide | \$971.00 |
| 400JP13 | J3® PD Back for 16"-20" Wide (18" and 21" Shell Height Only) | \$1,052.00 |

C - JAY® J3® Back Width \$

Back can be ordered a different width than seat pan. Armrest will be adjusted to back width ordered.

| | | |
|---------|-----|----|
| 400JQ02 | 16" | NC |
| 400JQ03 | 18" | NC |
| 400JQ04 | 20" | NC |
| 400JQ05 | 22" | NC |

C - JAY® J3® Back Shell Options and Height Ranges \$

JAY® J3® shells are mounted with a minimim 4" gap between the bottom of the shell to the seat pan to accommodate the mechanical shear. Back height can be adjusted in the field within the ranges shown.

| JAY® J3® Shell Height | | | Tool Angle Adjust. | 150° Recline | Installed Back Height | |
|-----------------------|--|--|--------------------|--------------|-----------------------|----|
| 400JR41 | 15" tall shell (Upper Thoracic Med) for 22" Wide | | 22"-23" | 22"-23" | | NC |
| 400JR14 | 16.5" tall shell (Upper Thoracic Short) | | 21"-23" | 22"-24" | | NC |
| 400JR15 | 18" tall shell (Upper Thoracic Med) | | 22"-24" | 23"-25" | | NC |
| 400JR16 | 19.5" tall shell (Upper Thoracic Tall) | | 24"-26" | 24"-26" | | NC |
| 400JR18 | 18" tall shell (Shoulder Height) for 22" wide | | 24" | 24" | | NC |
| 400JR17 | 21" tall shell (Shoulder Height) | | 24"-26" | 25"-28" | | NC |
| 400JR27 | 22.5" tall shell (Shoulder Height) | | 26"-28" | 27"-30" | | NC |
| 400JR28 | 24" tall shell (Shoulder Height) | | 27"-29" | 28"-30" | | NC |

JAY® J3® Installed Back Height (From Pan to Top of Back)

| | | |
|---------|-----|----|
| 400JR29 | 21" | NC |
| 400JR19 | 22" | NC |
| 400JR20 | 23" | NC |
| 400JR21 | 24" | NC |
| 400JR22 | 25" | NC |
| 400JR23 | 26" | NC |
| 400JR24 | 27" | NC |
| 400JR25 | 28" | NC |
| 400JR30 | 29" | NC |
| 400JR31 | 30" | NC |

POWERED SEATING

| OPTION | DESCRIPTION | RETAIL |
|--------|-------------|--------|
|--------|-------------|--------|

C - JAY® Anterior Thoracic Support  P. 24 (Seating Benefits)
\$

Classic-Structure Pull Down Harness (4 point strap, Only available with JAY® backrest)

| | | |
|--------|------------------|----------|
| 400K10 | Medium (ATS8302) | \$320.00 |
| 400K11 | Large (ATS8303) | \$320.00 |

C - JAY® Lateral Thoracic Swing-Away Supports (Requires Pad, Upholstery and Mount)
\$
JAY® Lateral Thoracic Support Pads

| | | |
|---------|--|---------|
| 400JW35 | Lateral Thoracic (L x H) 100 mm x 127 mm / 4" x 5" Pad - Right | \$72.00 |
| 400JW38 | Lateral Thoracic (L x H) 100 mm x 127 mm / 4" x 5" Pad - Left | \$72.00 |
| 400JW36 | Lateral Thoracic (L x H) 100 mm x 152 mm / 4" x 6" Pad - Right | \$72.00 |
| 400JW39 | Lateral Thoracic (L x H) 100 mm x 52 mm / 4" x 6" Pad - Left | \$72.00 |
| 400JW37 | Lateral Thoracic (L x H) 152 mm x 100 mm / 6" x 4" Pad - Right | \$72.00 |
| 400JW40 | Lateral Thoracic (L x H) 152 mm x 100 mm / 6" x 4" Pad - Left | \$72.00 |

JAY® Lateral Thoracic Support Pad Upholstery

| | | |
|---------|-----------------------------|----|
| 400NU01 | Syncra™ Premium Leatherette | NC |
| 400NU02 | Syncra™ Stretch | NC |

JAY® Lateral Thoracic Swing-Away Mount

| | | |
|---------|---|----------|
| 400JW41 | Lateral Thoracic Swing Away Bracket - Right | \$320.00 |
| 400JW42 | Lateral Thoracic Swing Away Bracket - Left | \$320.00 |

C - JAY® Syncra™ Fixed Lateral Support Accessory
\$

JAY® Fixed Lateral Support Accessory Hardware (JAY® Fixed Lateral Support is height adjustable)

| | | |
|---------|--|----------|
| 400JW33 | Fixed Lateral Support Accessory (L x H) 90 mm x 140 mm / 3.5" x 8" - Right | \$187.00 |
| 400JW34 | Fixed Lateral Support Accessory (L x H) 90 mm x 140 mm / 3.5" x 8" - Left | \$187.00 |

POWERED SEATING

| OPTION | DESCRIPTION | RETAIL |
|--------|-------------|--------|
|--------|-------------|--------|

Headrests (Requires Pad, Upholstery, & Mount)  P. 26 (Seating Benefits) \$
Headrest Pad

| | | |
|---------|--|----------|
| 400HE36 | SEDEO® Pad Small with Cover (LxH) 240 x 150 mm / 10" x 6" <i>Can only be used with Multi Position Headrest Mount with quick-release and SEDEO® upholstery</i> | \$224.00 |
| 400HE38 | Whitmyer® Plush Headrest Pad 203 mm / 8" | \$371.00 |
| 400HE39 | Whitmyer® Plush Headrest Pad 254 mm / 10" | \$371.00 |
| 400HE44 | Whitmyer® Plush Headrest Pad 356 mm / 14" | \$371.00 |
| 400HE46 | Whitmyer® Adjust-A-Plush Headrest Pad Medium (<i>Adjustable 7" to 16" Wide x 4" Tall</i>) | \$438.00 |
| 400HE48 | OMIT Headrest Pad | NC |

Headrest Pad Upholstery

| | | |
|---------|-----------------------------|----|
| 400NU10 | SEDEO® Upholstery | NC |
| 400NU04 | Syncra™ Premium Leatherette | NC |
| 400NU05 | Syncra™ Stretch | NC |
| 400NU11 | Whitmyer® Lycra | NC |

Headrest Mount

| | | |
|---------|---|----------|
| 400MH32 | SEDEO® Multi-Position Headrest Mount with Quick Release (<i>Only available with SEDEO® Pad</i>) | \$549.00 |
| 400MH33 | Whitmyer® Linx Headrest Mount with Quick Release | \$243.00 |
| 400MH34 | Whitmyer® Linx-2 Headrest Mount with Quick Release | \$294.00 |
| 400MH35 | Whitmyer® AXYS Headrest Mount with Quick Release | \$243.00 |
| 400MH17 | OMIT Headrest Mount | NC |

Push Handles \$

| | | |
|---------|--------------------------------|---------|
| 400PH27 | Height Adjustable Push Handles | \$60.00 |
|---------|--------------------------------|---------|

Seat Frame Rails \$

| | | |
|---------|---|----|
| 400SN14 | Seat Rail Short, for Effective Seat Depth 14" - 18" | NC |
| 400SN15 | Seat Rail Long, for Effective Seat Depth 17" - 22" | NC |

Seat Cushion Type \$

| | | |
|---------|------------------------------|----|
| 400ST79 | SEDEO® (See Section D) | NC |
| 400ST81 | JAY® Syncra™ (See Section E) | NC |
| 400ST80 | JAY® (See Section F) | NC |
| 400ST75 | Omit | NC |

POWERED SEATING

| OPTION | DESCRIPTION | RETAIL |
|--|--|-----------|
| Seat Size | | \$ |
| Seat Pan Width (Odd sizes not available on SEDEO® cushions) | | |
| 400R53 | 16" | NC |
| 400R54 | 17" | NC |
| 400R55 | 18" | NC |
| 400R56 | 19" | NC |
| 400R57 | 20" | NC |
| 400R58 | 21" (Not available with JAY® Syncra™ Cushions) | NC |
| 400R59 | 22" | NC |
| Seat Pan Depth (Front of seat pan to front of back cushion – effective depth) | | |
| 400RF52 | 14" | NC |
| 400RF53 | 15" | NC |
| 400RF51 | 16" | NC |
| 400RF45 | 17" | NC |
| 400RF46 | 18" | NC |
| 400RF47 | 19" | NC |
| 400RF48 | 20" | NC |
| 400RF49 | 21" (Not available with JAY® Syncra™ Cushions) | NC |
| 400RF50 | 22" | NC |

POWERED SEATING

| OPTION | DESCRIPTION | RETAIL |
|--------|-------------|--------|
|--------|-------------|--------|

D - SEDEO® Cushions  P. 24 **(Seating Benefits)** \$

| | | |
|---------|--|----------|
| 400CU82 | SEDEO® Cushion (Sizes 16", 18", & 20" Wide) (Not available with 14" depth) | \$421.00 |
| 400CU83 | SEDEO® Cushion (Sizes 22" Wide) | \$529.00 |

E - JAY® Syncra™ Cushion  P. 23 **(Seating Benefits)** \$

| | | |
|---------|--|------------|
| 400CU89 | JAY® Syncra™ Cushion featuring JAY Flow® Fluid with Cryo™ Technology (16" to 20" wide) | \$1,002.00 |
| 400CU90 | JAY® Syncra™ Cushion featuring JAY Flow® Fluid with Cryo™ Technology (22" wide) | \$1,108.00 |

JAY® Syncra™ Cushion Cover Upholstery

| | | |
|---------|-----------------------------|----|
| 400YR73 | Syncra™ Premium Leatherette | NC |
| 400YR74 | Syncra™ Stretch | NC |

F - JAY® Seat Cushion  P. 25 **(Seating Benefits)** \$

| | | |
|---------|--------------------------------------|------------|
| 400CU59 | JAY® Ion® (Sizes 16" to 21" Wide) | \$498.00 |
| 400CU60 | JAY® Ion® (Size 22" Wide) | \$688.00 |
| 400CU61 | JAY® Union® (Sizes 16" to 21" Wide) | \$753.00 |
| 400CU62 | JAY® Union® (Size 22" Wide) | \$794.00 |
| 400CU64 | JAY® Fusion® (Sizes 16" to 21" Wide) | \$1,030.00 |
| 400CU65 | JAY® Fusion® (Size 22" Wide) | \$1,155.00 |

F - JAY® Solid Seat **(Seating Benefits)** \$

| | | |
|---------|-----------------|----------|
| 400CU84 | JAY® Solid Seat | \$343.00 |
|---------|-----------------|----------|

POSITIONING SUPPORTS & ACCESSORIES

| OPTION | DESCRIPTION | RETAIL |
|--------|-------------|--------|
|--------|-------------|--------|

Knee and Thigh Swing-Away Support Pads (Seating Benefits)

\$

Lateral Knee Support Pads and Hardware (must pick pad and mount)

| | | |
|---------|--|----------|
| 400XY05 | Lateral Knee Support Pad, Right (4" round) | \$243.00 |
| 400XY06 | Lateral Knee Support Pad, Left (4" round) | \$243.00 |
| 400XX08 | Lateral Swing-Away Bracket Knee - Right | \$320.00 |
| 400XX09 | Lateral Swing-Away Bracket Knee - Left | \$320.00 |

Lateral Thigh Support Pads and Hardware (must pick pad and mount)

| | | |
|---------|--|----------|
| 400KF22 | Lateral Thigh Support Pad Short, Right (5" H x 5" L) | \$144.00 |
| 400KF23 | Lateral Thigh Support Pad Short, Left (5" H x 5" L) | \$144.00 |
| 400KF24 | Lateral Thigh Support Pad Long, Right (5" H x 7" L) | \$144.00 |
| 400KF25 | Lateral Thigh Support Pad Long, Left (5" H x 7" L) | \$144.00 |
| 400KF26 | Lateral Thigh Removable Mount - Right | \$320.00 |
| 400KF27 | Lateral Thigh Removable Mount - Left | \$320.00 |

JAY® Lateral Thigh Supports (Must pick pad, upholstery, and mount) (Seating Benefits)

\$

JAY® Lateral Thigh Support Pads

| | | |
|---------|---|----------|
| 400KF16 | Lateral Thigh Support Pad Standard, Right (8.25" x 3.25") | \$144.00 |
| 400KF17 | Lateral Thigh Support Pad Standard, Left (8.25" x 3.25") | \$144.00 |
| 400KF18 | Lateral Thigh Support Pad Large, Right (12" x 3.25") | \$144.00 |
| 400KF19 | Lateral Thigh Support Pad Large, Left (12" x 3.25") | \$144.00 |

JAY® Lateral Thigh Support Pad Upholstery

| | | |
|---------|-----------------------------|----|
| 400NU07 | Syncra™ Premium Leatherette | NC |
| 400NU08 | Syncra™ Stretch | NC |

JAY® Lateral Thigh Removable Mount

| | | |
|---------|---------------------------------------|----------|
| 400KF20 | Lateral Thigh Removable Mount - Right | \$320.00 |
| 400KF21 | Lateral Thigh Removable Mount - Left | \$320.00 |

Armrest Structure P. 25

\$

| | | |
|---------|--|----------|
| 400EG35 | Reclining, Flip Back, Long (Height Adjustable 9" to 15") | NC |
| 400EG41 | Reclining, Flip Back, Short (Best used with shorter seat depths) (Height Adjustable 9" to 15") | NC |
| 400EG36 | Reclining, Flip Back with 2-point post locking arm. (Height Adjustable 11" to 15" x 0.625") | \$346.00 |
| 400EG32 | Single Post, Flip Back (N/A with thigh support) (Height Adjustable 10" to 15") | NC |

POSITIONING SUPPORTS & ACCESSORIES

| OPTION | DESCRIPTION | RETAIL |
|---|---|------------|
| Arm Pads  P. 25 \$ | | |
| SEDEO® Armrest Pad | | |
| 400AB43 | 300 mm / 12", Integral Foam, Right | NC |
| 400AE43 | 300 mm / 12", Integral Foam, Left | NC |
| 400AB44 | 400 mm / 16", Integral Foam, Right | NC |
| 400AE44 | 400 mm / 16", Integral Foam, Left | NC |
| Comfort Arm Pad (Foam) | | |
| 400AB46 | 2" Wide Right | \$111.00 |
| 400AE46 | 2" Wide Left | \$111.00 |
| Comfort Arm Pad (Gel) | | |
| 400AB48 | 2" Wide Right | \$210.00 |
| 400AE48 | 2" Wide Left | \$210.00 |
| Ottobock® Arm Troughs | | |
| 400AE06 | Ottobock Arm Trough, Med, Left | \$137.00 |
| 400AB06 | Ottobock Arm Trough, Med, Right | \$137.00 |
| 400AE07 | Ottobock Arm Trough, Large, Left | \$137.00 |
| 400AB07 | Ottobock Arm Trough, Large, Right | \$137.00 |
| 400L01 | Ottobock Hand Pad, Med, Left | \$69.00 |
| 400R01 | Ottobock Hand Pad, Med, Right | \$69.00 |
| 400L02 | Ottobock Hand Pad, Large, Left | \$69.00 |
| 400R02 | Ottobock Hand Pad, Large, Right | \$69.00 |
| 400AE78 | Ottobock 1 Piece Arm Trough, Left | \$195.00 |
| 400AB78 | Ottobock 1 Piece Arm Trough, Right | \$195.00 |
| Side Guards (Pair) (Client Cost) \$ | | |
| 400SG44 | Side Guards Integral Foam (11"L x 5.5"H) (N/A with Reclining Armrests) | \$351.00 |
| Fixed Centermount Legrest \$ | | |
| 400H136 | Angle Adjustable Centermount Legrest | \$624.00 |
| 400H184 | Fixed Centermount Legrest, Short (Includes Calf Pads) (11.5" to 14.5" Leg Length) | NC |
| 400H185 | Fixed Centermount Legrest, Long (Includes Calf Pads) (13.5" to 18.5" Leg Length) | NC |
| Power Centermount Legrest  P. 25 (Client Cost) \$ | | |
| 400H109 | Power Centermount Legrest, 90° - 0° Angle, 7.5" Extension (Powered Articulation) (3" to 17.5" Leg Length) | \$3,384.00 |

POSITIONING SUPPORTS & ACCESSORIES

| OPTION | DESCRIPTION | RETAIL |
|--|---|---|
| Centermount Legrest Accessories (Client Cost) (25) | | \$ |
| Power Centermount Footplates | | |
| 400F127 | Dual, Height, Width and Angle Adjustable, Standard (14"W x 10"D) | \$280.00 |
| 400F128 | Dual, Height, Width and Angle Adjustable, Large (16"W x 12"D) | \$280.00 |
| Angle Adjustable / Fixed Centermount Footplates | | |
| 400F45 | Single/Dual Footplate | NC |
| Power Centermount Calf Pads | | |
| 400DI34 | Calf Pads, Pair, Standard Integral Foam | NC |
| 400DI35 | Calf Pads, Pair, Padded (N/A w/ std. footplate) | \$351.00 |
| Angle Adjustable Centermount Calf Pads | | |
| 400DI49 | Calf Pads, Pair, Standard Integral Foam | NC |
| 400DI50 | Extra Large Single Calf Pad | \$351.00 |
| SEDEO® PRO™ Swing-Away Legrest (Pair) (Footplates, calf supports & options must be selected separately.) (400H179 is Client Cost) | | \$ |
| 400H177 | Legrests, Swing-Away, 70°, SEDEO® PRO™ (14" to 21" Leg Length) | NC |
| 400H178 | Legrests, Manual Elevating, Swing-Away, SEDEO® PRO™ (Includes Padded Calf Pads) (14.5" to 21.5" Leg Length) | \$374.00 |
| 400H179 | Legrests, Power Elevating, Swing-Away, SEDEO® PRO™ (Includes Padded Calf Pads) (15.5" to 22.5" Leg Length) | \$3,384.00 |
| 400HI76 | Omit Legrests | NC |
| Swing-Away Legrest Footplates | | |
| 400F369 | Angle Adjustable Flip-Up Footplates | \$280.00 |
| Swing-Away Legrest Calf Supports | | |
| 400DI42 | Calf Support, Depth Adjustable, Padded (6.5" to 8" Wide, depending on chair width, x 9.5" Tall) | \$504.00 |
| Swing-Away Legrest Options | | |
| 400DI44 | Heel Loops | NC |
| 400KG4 | Knee Pads, Integral Foam (2.5" Wide x 4.5" Tall) | \$278.00 |
| SEDEO® Lower Extremity Swing-Away Support | | |
| 400VD01 | Lower Extremity Support, Padded, Swing-Away, SEDEO®, Right | \$504.00 |
| 400VD02 | Lower Extremity Support, Padded, Swing-Away, SEDEO®, Left | \$504.00 |
| Pelvic Positioning Belts | |  P. 26 |
| 400A837 | Positioning Belt, Auto Style Buckle, 50 mm 1600 mm / 2" | NC |
| 400A839 | Positioning Belt, Aircraft Buckle, 50 mm x 1300 mm / 2" | NC |
| 400A840 | Positioning Belt, Aircraft Buckle, Padded 50 mm x 1300 mm / 2" | \$101.00 |
| 400A845 | Bodypoint – Evoflex Pelvic Stabilizer Belt | \$213.00 |
| 400A846 | Bodypoint – Evoflex Pelvic Stabilizer Belt with Extension | \$267.00 |

POSITIONING SUPPORTS & ACCESSORIES

| OPTION | DESCRIPTION | RETAIL |
|------------------------------|--|----------|
| Accessories | | \$ |
| Ventilator Option | | |
| 400VT12 | Vent Tray Fixed <i>(Pulmonetic LTV Models)</i> | \$600.00 |
| O2 Tank Option | | |
| 400A718 | O2 Tank Holder Mounted to Backrest <i>(D and E Styles)</i> | \$385.00 |
| Wheelchair Tray Table | | |
| 4007A09 | Tray, Swing-Away | \$375.00 |
| Medial Thigh Support | | |
| 4008A80 | Medial Thigh Support | \$240.00 |
| 4008A81 | Pommel Swing-Away Hardware | \$353.00 |
| Backpack | | |
| 400A1 | Black Utility | \$110.00 |
| Misc. Accessories | | |
| 4008A59 | Transfer Bar <i>(Pair)</i> | \$486.00 |
| 4008A52 | Ram Mount Phone | \$76.00 |
| 4008A53 | Ram Mount Tablet | \$303.00 |
| 4008A54 | Ram Mount Cup Holder | \$76.00 |
| 4008A58 | Rear View Mirror | \$76.00 |
| 400A611 | Crutch Holder | \$113.00 |
| 4008A73 | Bag for Armrest | \$113.00 |
| 4008A75 | Reflectors <i>(Backrest shroud mounted)</i> | \$113.00 |
| 4009A10 | Utility Hooks | \$57.00 |

JOYSTICK / ELECTRONICS

| VR-2 Joystick | | | \$ |
|--|--|---|------------|
| 400J127 | | VR-2 Joystick | NC |
| R-net Joystick (Remote)  P. 26 | | | \$ |
| 400J121 | | Standard LED Joystick (w/o Screen Display) | NC |
| 400J116 | | Color Joystick (2.3" Color LCD Screen Display, CJSM1) | NC |
| 400J118 | | High Resolution Color Joystick, (CJSM2+BT) 3.5" Color LCD Display, Paddle Switches, Programmable Shortcut Keys, ICONs, Stereo Jack, IR and dual (IOS/Android) Bluetooth control (Client Cost) | \$1,245.00 |
| 400J119 | | Omit Remote Control (Required with arm mounted specialty controls) | NC |
| Joystick Mounting | | | \$ |
| 400JM34 | | Fixed on Armrest | NC |
| 400JM35 | | Parallel Swing-Away | \$440.00 |
| 400JM36 | | Link-It Mid Line Mount on Armrest (Swing-Away) | \$440.00 |
| Joystick Mount (Location) | | | \$ |
| 400HM16 | | Right Hand Armrest | NC |
| 400HM17 | | Left Hand Armrest | NC |
| Display Language Selection R-net | | | \$ |
| 400L1 | | English | NC |
| 400L3 | | French | NC |
| 400L7 | | Spanish | NC |
| Joystick Handle (Optional)  P. 26 | | | \$ |
| 400JH13 | | Ball Handle | \$108.00 |
| 400JH15 | | T-Handle | \$108.00 |
| 400JH24 | | Bodypoint – Rubber Dome Joystick Handle | \$213.00 |
| 400JH25 | | Bodypoint – U-Shaped Joystick Handle | \$213.00 |
| 400JH26 | | Bodypoint – Grooved Mushroom Joystick Handle | \$213.00 |
| Electronic Programmers  P. 27 | | | \$ |
| 400PR10 | | R-net PC Programmer w/ Dongle | \$696.00 |
| R-net Power Modules  P. 27 | | | \$ |
| 400ER12 | | Power Module, VR-2 90A, Non-Expandable | NC |
| 400ER13 | | Power Module, R-net, 90A, Expandable (Required for Specialty Controls or 3+ Actuators) | NC |
| 400EX11 | | Expandable 90A Controller - R-net | NC |
| 400EX12 | | Harness for 90A Expandable Controller | NC |

JOYSTICK / ELECTRONICS

| OPTION | DESCRIPTION | RETAIL |
|--------|-------------|--------|
|--------|-------------|--------|

Seating Control  P. 27

\$

Powered Seating Control

| | | |
|---------|--|------------|
| 400E040 | Omit Thru-Drive <i>(Requires Switch Control)</i> | NC |
| 400E037 | Thru-drive Control for 1 Actuator | \$1,422.00 |
| 400E038 | Thru-drive Control for 2+ Actuators | \$2,860.00 |

Switch Control *(Available with Omit Thru-Drive only) (1 Actuator for Tilt or Elevate only)*

| | | |
|---------|---|----|
| 400E033 | Dual Toggle for 1 Actuator | NC |
| 400E034 | 2.5" Single Button Switch for 1 Actuator <i>(Button switches are not mounted)</i> | NC |
| 400E041 | Ctrl+5 Switch Box for 2 Actuators or more | NC |

Additional Power Seating Control *(Available with Thru-Drive only)*

| | | |
|---------|--|------------|
| 400QG11 | Ctrl+5 Switch Box with Free Assignable Functions | \$1,062.00 |
| 400QG12 | Ctrl+5 Switch Box with Free Assignable Functions <i>(Multi-power only)</i> | NC |

Dual Toggle Mounting Location

| | | |
|--------|---------------------|----|
| 400TN1 | Toggle Mount, Right | NC |
| 400TN2 | Toggle Mount, Left | NC |

Ctrl+5 Mounting location

| | | |
|---------|------------------|----|
| 400EY19 | Right Armrest | NC |
| 400EY20 | Left Armrest | NC |
| 400EY21 | Back Cane, Right | NC |
| 400EY24 | Back Cane, Left | NC |

Ctrl+5 Switch Type

| | | |
|---------|-----------------|----------|
| 400EY22 | Push Buttons | NC |
| 400EY23 | Toggle Switches | \$351.00 |

Attendant Controls  P. 27 **(Prior Approval Required)**

\$

| | | |
|---------|---|------------|
| 4000A05 | Dual Control Module for Attendant | \$1,207.00 |
| 4000A06 | R-net Color LCD (CJSM1), Control Attendant Only | \$1,207.00 |

Attendant Mounting Location

\$

| | | |
|--------|-----------------|----|
| 400DN5 | Right Back Cane | NC |
| 400DN6 | Left Back Cane | NC |

JOYSTICK / ELECTRONICS

| OPTION | DESCRIPTION | RETAIL |
|--------|-------------|--------|
|--------|-------------|--------|

R-net Programming

\$

Assignable Buttons

Assignable Button feature allows for personalization of joystick buttons and/or Ctrl+5 Switches allowing access to various wheelchair and seating functions. When enabled, chair will be pre-programmed with seating functions assigned to buttons on the joystick. Assignments can be changed via PC Dongle.

| | | |
|---------|----------------------------|----|
| 400PM12 | Include Assignable Buttons | NC |
|---------|----------------------------|----|

Power Centermount Footplate Extension Option (Client Cost)

| | | |
|---------|--|----------|
| 400IE03 | Include 7.5" Powered Footplate Extension for Transfer Assist <i>(Electronics programmed to allow footplates to be extended with or without legrest being raised.) Only Available with Powered Articulation</i> | \$583.00 |
|---------|--|----------|

R-net Omni2 Options

P. 27 For Expandable Controls, choose all that apply. **(AADL W100 Grant)**

\$

| | | |
|--------|---|------------|
| 400N14 | R-net Omni2 Only Input Control Module and 3.5" LCD Display w/ Built-In Infrared and Bluetooth® Choose Mount Below | \$2,349.00 |
| 400N15 | R-net Omni2 Bundled Input Control Module and 3.5" LCD Display w/ Built-In Infrared and Bluetooth® Bundled Omni2 Available w/ Switch-It Input Devices | NC |

Omni2 Mount

If used w/ Standard Joystick, it must be mounted opposite side. **(AADL W100 Grant)**

\$

| | | |
|---------|--|----------|
| 400DS14 | Link-It with Parallel Swing-Away Omni2 Mount w/Rear Mounted Interface, Right | \$688.00 |
| 400DS15 | Link-It with Parallel Swing-Away Omni2 Mount w/Rear Mounted Interface, Left | \$688.00 |

SPECIALTY INPUT DEVICES (AADL W100 Grant)

| OPTION | DESCRIPTION | RETAIL |
|--------|-------------|--------|
|--------|-------------|--------|

Hand Control Packages  P. 28 *Requires Standard Joystick Omit / Only one hand control device can be ordered.* **(AADL W100 Grant)** \$

Proportional Input Devices

| | | |
|---------|-------------------------|------------|
| 400EU14 | Switch-It MicroGuide | \$4,574.00 |
| 400EU15 | Switch-It MicroPilot | \$4,574.00 |
| 400EU17 | Switch-It VersaGuide | \$2,519.00 |
| 400EU18 | Switch-It VersaGuide EZ | \$2,978.00 |

Mounting Position (Required)

| | | |
|---------|--|------------|
| 400EM04 | Link-It to the Backrest <i>(Not Available w/ Omit Back Cushion Type)</i> | \$1,318.00 |
| 400EM05 | Link-It to the Fixed Joystick Mount | \$410.00 |
| 400EM06 | Link-It to the Parallel Swing-Away Joystick Mount | \$410.00 |
| 400EM07 | Link-It to the Midline Swing-Away | \$1,485.00 |
| 400EM08 | Omit Mount | NC |

Mounting Platforms (Optional) *Not available w/ Link-It to Backrest*

| | | |
|---------|--|----------|
| 400MG16 | SunDisk Hand Tray <i>(Only available w/ MicroSeries Joysticks)</i> | \$410.00 |
| 400MG15 | Bullet Hand Tray | \$410.00 |

Mounting Location (Required)

| | | |
|---------|-------|----|
| 400IM09 | Right | NC |
| 400IM10 | Left | NC |

Switch Options

| | | |
|---|--|---|
| – | See Switch Selections <i>(Maximum 2)</i> | – |
|---|--|---|

Head Control Packages  P. 27 *(Select headrest mount on next page)* **(Seating Benefits)** \$

Only one head control device can be ordered.

Proportional Input Devices

| | | |
|---------|--|------------|
| 400EU25 | Switch-It DualPro® Proportional Head Array - Facial Pads | \$6,953.00 |
| 400EU26 | Switch-It DualPro® Proportional Head Array - Spot Pads | \$6,953.00 |


Switched Input Devices

| | | |
|---------|--|------------|
| 400EU28 | Switch-It 3-Switch Head Array - Short Curved Wings | \$6,063.00 |
| 400EU30 | Switch-It 3-Switch Head Array - Long Curved Wings | \$6,063.00 |

Switch Options

| | | |
|---|--|---|
| – | See Switch Selections <i>(Maximum 2)</i> | – |
|---|--|---|

SPECIALTY INPUT DEVICES

| OPTION | DESCRIPTION | RETAIL |
|---|--|------------|
| Sip 'N Puff (AADL W100 Grant) \$ | | |
| 400ID73 | Switch-It Sip 'N Puff Combo Head Array with Link-It Hardware <i>(Requires headrest mount)</i> | \$6,933.00 |
| 400ID74 | Switch-It OptiStop with Sip 'N Puff | \$2,700.00 |
| Headrest Mounts <i>(Applies to Head/Sip 'N Puff control packages)</i> (AADL W100 Grant) \$ | | |
| 400IJ13 | Whitmyer® Linx Headrest Mount with Quick Release | \$243.00 |
| 400IJ14 | Whitmyer® Linx-2 Headrest Mount with Quick Release | \$294.00 |
| 400IJ15 | Whitmyer® AXYS Headrest Mount with Quick Release | \$243.00 |
| Chin Control Packages  P. 28 (AADL W100 Grant) \$ | | |
| Proportional Input Devices | | |
| 400EU34 | Switch-It MicroGuide <i>(Switches mounted to the headrest only.)</i> | \$4,574.00 |
| 400EU35 | Switch-It MicroPilot <i>(Switches mounted to the headrest only.)</i> | \$4,574.00 |
| 400EU36 | Switch-It VersaGuide | \$2,519.00 |
| 400EU37 | Switch-It VersaGuide EZ | \$2,978.00 |
| Mounting Position | | |
| 400EM09 | Link-It To Chin Harness, Small (150mm / 6") | \$1,734.00 |
| 400EM10 | Link-It To Chin Harness, Large (220mm / 8") | \$1,734.00 |
| 400EM11 | Link-It To Headrest, Swing-Away | \$1,734.00 |
| 400EM53 | Link-It To Manual Chin Boom - Right Side | \$5,267.00 |
| 400EM54 | Link-It To Manual Chin Boom - Left Side | \$5,267.00 |
| 400EM16 | Omit Mount | NC |
| Input Device Mounting Location | | |
| 400IM13 | Right | NC |
| 400IM14 | Left | NC |
| Switch Options | | |
| – | See Switch Selections <i>(Minimum 1 for the Power Chin Boom, Maximum 3)</i> | – |
| Safety Devices (AADL W100 Grant) \$ | | |
| 400SA06 | Switch-It Remote Stop Switch - XLR Connector | \$1,298.00 |
| Switched Driving Packages (AADL W100 Grant) \$ | | |
| 400SW44 | Switch-It™ Cool Cube with DB9 connector for proximity/proportional switch driving. <i>(Pro Spot proportional switches are required if proportional driving is desired.) (For non-proportional driving, single switches can be used.)</i> | \$3,736.00 |

SPECIALTY INPUT DEVICES

Switches  P. 29

Single switches can be programmed to activate any function of the wheelchair including: On/Off, Mode, Profile, Speeds, Seating, Memory Positions, Horn, Lights & Indicators, IR functions, Bluetooth mouse clicks, Environmental Controls when plugged into assignable port.

Switches can connect via: Joysticks (Standard, Micro series, Versa series) Omni2, SJX6 Hub, head controls

Switch ordering instructions:

1. Select switch type and quantity in Section "A" using columns below. (Max 6 switches. See limitations below.)
2. Select switch mounting position from Section "B" using corresponding switch column.
3. Select switch mounting location from Section "C" using corresponding switch column.

Section A – Switch Selections**Switch / Quantity**

| Single Function Switches - Mechanical Switches | Switch 1 | Switch 2 | Switch 3 | Switch 4 | Switch 5 | Switch 6 | \$ |
|--|----------|----------|----------|----------|----------|----------|------------|
| 2.5" Single Switch - Black | | | | | | | \$108.00 |
| 2.5" Single Switch - Blue | | | | | | | \$108.00 |
| 2.5" Single Switch - Green | | | | | | | \$108.00 |
| 2.5" Single Switch - Red | | | | | | | \$108.00 |
| 2.5" Single Switch - Yellow | | | | | | | \$108.00 |
| Egg Switch - Black | | | | | | | \$108.00 |
| Egg Switch - Blue | | | | | | | \$108.00 |
| Egg Switch - Green | | | | | | | \$108.00 |
| Egg Switch - Red | | | | | | | \$108.00 |
| Egg Switch - Yellow | | | | | | | \$108.00 |
| MicroLite <i>(Includes color labels)</i> | | | | | | | \$113.00 |
| Mini Button 1 - Blue <i>(Velcro)</i> | | | | | | | \$303.00 |
| Mini Button 1 - Green <i>(Velcro)</i> | | | | | | | \$303.00 |
| Mini Button 1 - Red <i>(Velcro)</i> | | | | | | | \$303.00 |
| 1" Single Switch - Black | | | | | | | \$382.00 |
| 1" Single Switch - Blue | | | | | | | \$382.00 |
| 1" Single Switch - Green | | | | | | | \$382.00 |
| 1" Single Switch - Orange | | | | | | | \$382.00 |
| 1" Single Switch - Red | | | | | | | \$382.00 |
| 1" Single Switch - Yellow | | | | | | | \$382.00 |
| Electronic Switches | | | | | | | |
| Flex Switch (Headrest mount only) | | | | | | | \$534.00 |
| ProSpot - Proportional Switches | | | | | | | |
| ProSpot Proportional Switch - Red | | | | | | | \$534.00 |
| ProSpot Proportional Switch - Green | | | | | | | \$534.00 |
| ProSpot Proportional Switch - Blue | | | | | | | \$534.00 |
| ProSpot Proportional Switch - Yellow | | | | | | | \$534.00 |
| ProSpot Proportional Switch - Orange | | | | | | | \$534.00 |
| Section B – Switch Mounting Position | | | | | | | |
| Link-It to the Backrest <i>(Up to 1 per side)</i> | | | | | | | \$1,388.00 |
| Link-It to the Headrest - Gooseneck & Rigid <i>(Up to 2 per side)</i> | | | | | | | \$1,734.00 |
| Link-It to the Fixed Joystick Mount <i>(Up to 2 per side)</i> | | | | | | | \$410.00 |
| Link-It to the Parallel Swing-Away Joystick Mount <i>(Up to 2 per side)</i> | | | | | | | \$410.00 |
| Link-It to the Seat Rail <i>(Up to 2 per side)</i> <i>(Not avail w/knee & thigh supports)</i> | | | | | | | \$548.00 |
| Omit Mount <i>(includes Velcro)</i> | | | | | | | NC |
| Section C – Switch Mounting Location | | | | | | | |
| Right side of chair | | | | | | | NC |
| Left side of chair | | | | | | | NC |
| Joystick Integrated Switches (Pair) | | | | | | | |
| 400J003 – Proximity Switches on Flex Mount, Pair <i>(Used with VersaGuide/VersaGuide EZ)</i> | | | | | | | \$1,382.00 |

JAY® SYNCRA™ SEATING MEASURING GUIDE

JAY® SYNCRA™ BACK



| | | | | |
|-----------------------------|-------|-------|-------|-------|
| Backrest Width | 16" | 18" | 20" | 22" |
| Max User Trunk Width | 13.5" | 15.5" | 17.5" | 19.5" |

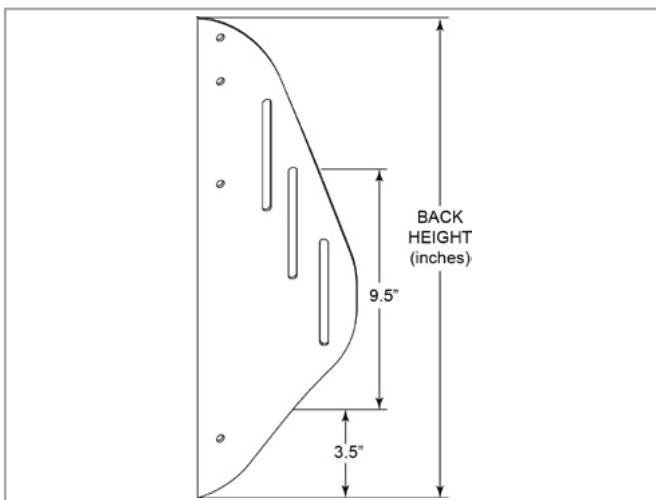
JAY® Swing-Away Lateral Thoracic Adjustment Range

| Syncra Back Width | Width Range | Height range from bottom of shell to seat pan |
|-------------------|-------------|---|
| 16" | 10" to 24" | 12" to 19.5" |
| 18" | 12" to 26" | 12.5" to 21.5" |
| 20" | 14" to 28" | 12.5" to 22" |
| 22" | 16" to 30" | 13.5" to 23" |

Syncra™ Fixed Lateral Support Accessory Range

| Syncra Back Width | Width Range | Height range from bottom of shell to seat pan | Contour Depth Range |
|-------------------|----------------|---|---------------------|
| 16" | 16.4" to 16.8" | 6" to 8" | 3" to 5" |
| 18" | 18.4" to 18.8" | 6" to 8" | 3" to 5" |
| 20" | 20.4" to 20.8" | 6" to 8" | 3" to 5" |
| 22" | 22.4" to 22.8" | 6" to 8" | 3" to 5" |

Syncra™ Back Shell Height Diagram



JAY® SYNCRA™ CUSHION



JAY® Lateral Thigh Support Adjustment Range

| Syncra Cushion Width | Width Range |
|----------------------|----------------|
| 16" | 8.5" to 16.0" |
| 17" | 9.5" to 17.0" |
| 18" | 10.5" to 18.0" |
| 19" | 11.5" to 19.0" |
| 20" | 12.5" to 20.0" |
| 22" | 14.5" to 22.0" |



| Q300 M with SEDEO® PRO™ | | \$ |
|-------------------------------|--|----|
| Base Price | | |
| Total of additional equipment | | |
| Packaging and transport | | |
| Total Price | | |

| | |
|------|-----------|
| Date | Signature |
|------|-----------|

Month Day Year



Customer Service: (800) 263-3390
 Fax: (800) 561-5834
 E-mail: cscanada@sunmed.com
 www.sunrisemedical.ca
 Specifications are subject to change without notice.

© 2024 Sunrise Medical Canada Inc.
 1000 Creditstone Road, Unit 2
 Concord, ON
 L4K 4P8