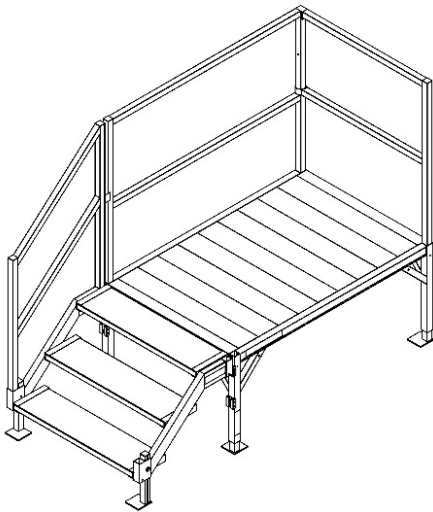


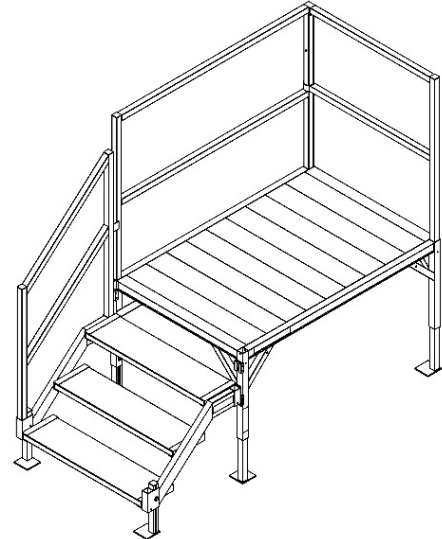
FORTRESS® OSHA Stair System

Adjustable Temporary Stair

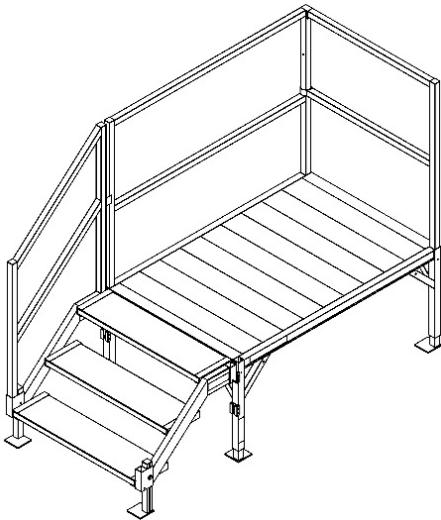
Installation Manual



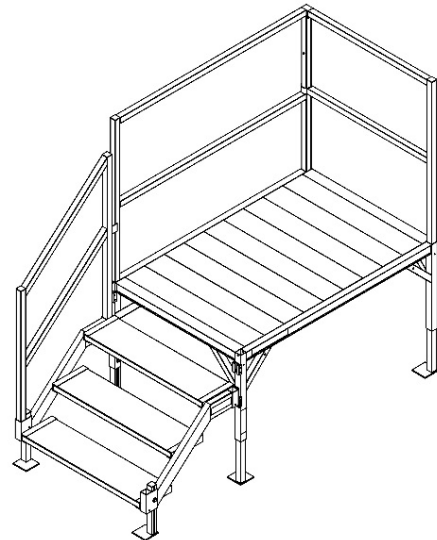
3-TREAD at 25.5"



3-TREAD at 34"



4-TREAD at 34"



4-TREAD at 42.5"



INTRODUCTION

This manual covers installation for the FORTRESS® OSHA Stair System and its components and hardware. Throughout this document, the FORTRESS® OSHA Stair System may also be referred to as “system”.

IMPORTANT SHIPPING INFORMATION

- Refer to the packing list and confirm all items are present before starting installation. Open shipping boxes and inspect for damage or missing parts. If damaged or missing parts are noted, do not install or use.
- Check for shipping damage immediately upon receipt and note any freight damage on freight bill while driver is still present. Contact shipper right away with any freight damage concerns. In most cases, freight damage claims will not be allowed unless noted on the freight bill. Pictures of damage before the system is unpacked can be very helpful.

REQUIRED TOOLS

- ✓ TAPE MEASURE
- ✓ LEVEL
- ✓ RATCHET WRENCH
- ✓ 1/2" SOCKET (DEEP WELL)
- ✓ 9/16" SOCKET (DEEP WELL)
- ✓ MARKER (IF INSTALLING CANOPY)

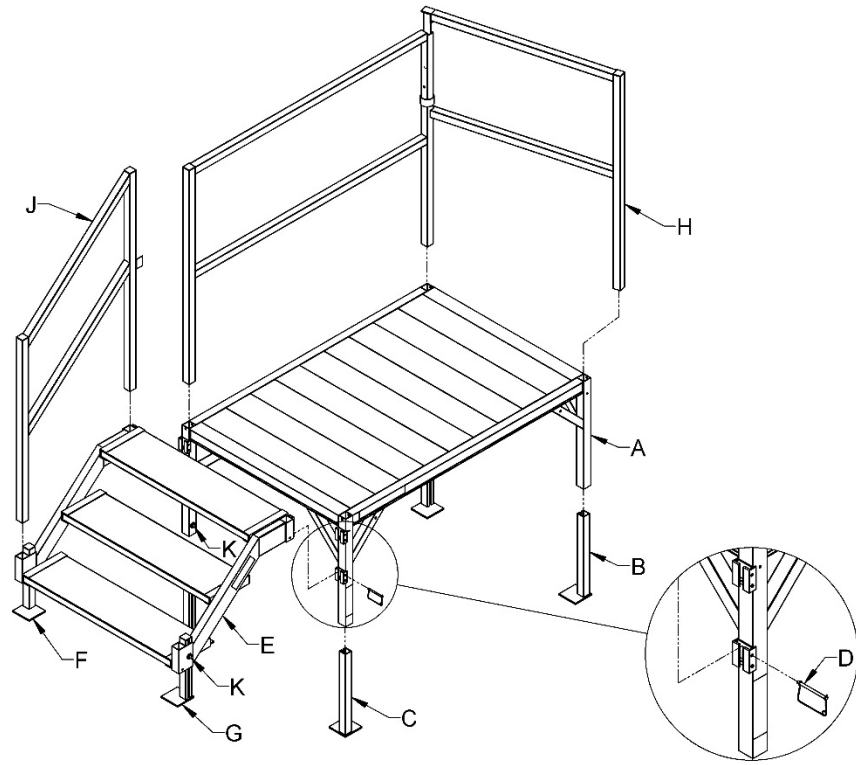
SYMBOLS, SAFETY, AND WARNINGS

- ⚠ The **WARNING** symbol indicates a potentially hazardous condition/situation. The safety warnings throughout this document, and on your equipment, if any, are for the protection of people and property. Failure to abide by safety warnings will result in a waiver of all liabilities, loss of your warranty, and could result in equipment damage and or failure, property damage, risk of serious bodily injury and or death to operators, riders, and those nearby. The symbol may appear in various colors and in conjunction with other symbols.
- 👉 The **NOTE** symbol indicates important information. Failure to obey all notes could result in improper operation, less-than-optimum equipment performance, and at the sole discretion of the equipment manufacturer, may void your warranty. The symbol may appear in various colors and in conjunction with other symbols.

WARNINGS

- ⚠ Rated Load: 1,000 lbs. Never exceed the Rated Load.
- ⚠ Professional installation by an EZ-ACCESS approved technician is required.
- ⚠ Prior to use, read and understand this manual and all other applicable manuals, including supplements and addendums, if any, and warning labels, in their entirety. Learn and understand the location and function of all features, safety devices, and labels before use. If you do not understand which manuals apply, or their content, do not use the system and call 1-800-258-8503 for further information.
- ⚠ Do not remove safety labels. Maintaining all labels and manuals in legible condition is required by the system's owner and is essential for safe operation. If labels are missing, damaged, or become illegible, they must be replaced. A missing or illegible label will fail to alert individuals of a procedure or hazardous operating conditions. For replacement copies, please call 1-800-258-8503.
- ⚠ Do not use the system without properly installed handrails.
- ⚠ Metal conducts electricity. Never use near electrical current.
- ⚠ Use caution at all times. Do not run or jump on the system. Do not play on or around the system, including climbing on, through, or under the handrails.
- ⚠ Do not use any part of the system, including handrails, to support planters, power cords, decorations, etc.
- ⚠ Never place anything under or attach anything to the system to gain height or to adjust for uneven surfaces.
- ⚠ Do not use any component not supplied or approved by the manufacturer with the system.
- ⚠ Before each use, check for damage and confirm that all components, hardware, fasteners, and locking mechanisms are in place, in good condition, and are securely fastened. If any part of the system, including the canopy if present, is damaged, loose, or missing, contact manufacturer and do not use until repairs can be made by an EZ-ACCESS approved technician.
- ⚠ Before each use, confirm that the system is positioned securely. Check for ground shifts and adjust level if required.
- ⚠ Proper maintenance and upkeep of the system is vital to the health and safety of people using the system.
- ⚠ Keep the system clear of dirt, leaves, and other debris that may accumulate on the surface. Do not use if the surface is covered with ice and or snow. Accumulation must be shoveled and the tread surface swept clean, prior to use.
- ⚠ Keep canopy (if present) clear of ice, snow, dirt, leaves and other debris at all times.
- ⚠ Always properly support and restrain the system in transit and or storage.
- ⚠ Always use system as described in this manual. Do not misuse or abuse.
- ⚠ If lag bolts cannot be installed, secure the platform to the building or structure in another structurally sound manner.

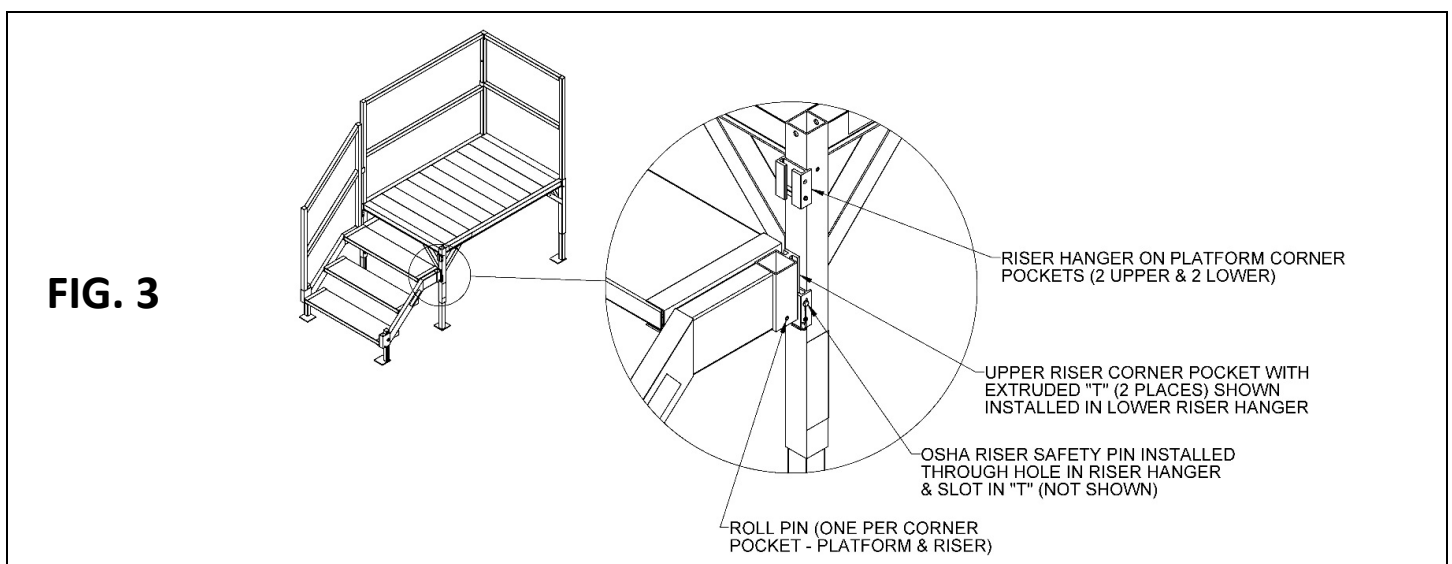
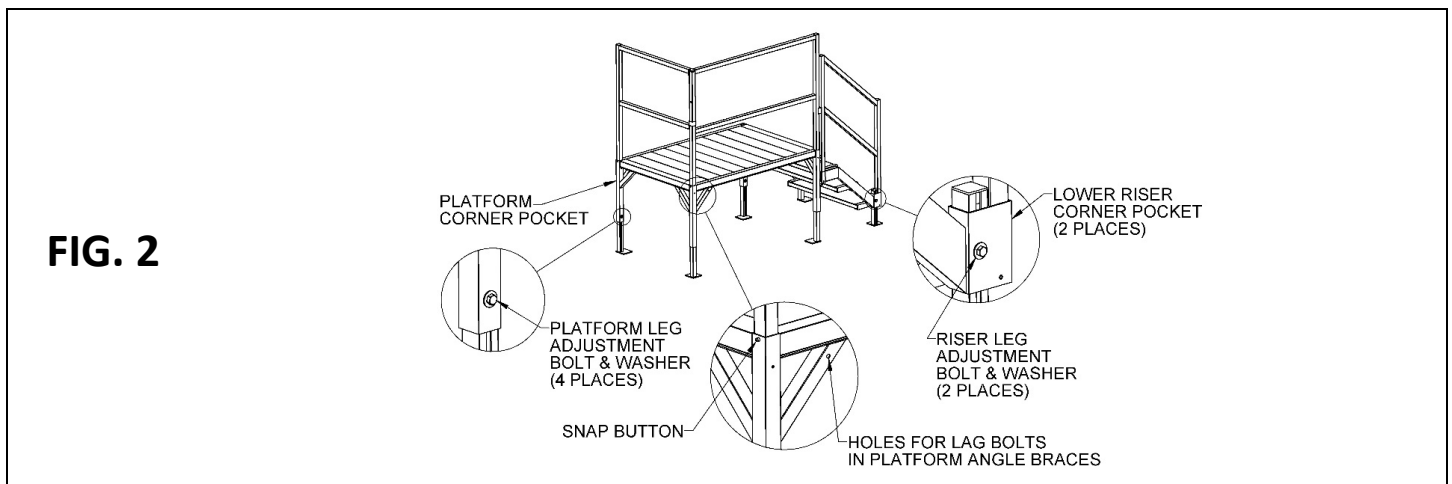
FIG. 1



FORTRESS OSHA Stair Descriptions	Diagram Letter
3 Tread Platform (Includes Legs)	A
4 Tread Platform (Includes Legs)	(Not Shown)
3 Tread Platform with Drain Holes (Includes Legs)	(Not Shown)
4 Tread Platform with Drain Holes (Includes Legs)	(Not Shown)
3 Tread Platform with Oversized Feet (Includes Legs)	(Not Shown)
4 Tread Platform with Oversized Feet (Includes Legs)	(Not Shown)
3 Tread Platform with Drain Holes & Oversized Feet (Includes Legs)	(Not Shown)
4 Tread Platform with Drain Holes & Oversized Feet (Includes Legs)	(Not Shown)
Platform Leg LH 17" (Included with 3 Tread Platform)	B
Platform Leg RH 17" (Included with 3 Tread Platform)	C
Platform Leg LH 24" (Included with 4 Tread Platform)	(Not Shown)
Platform Leg RH 24" (Included with 4 Tread Platform)	(Not Shown)
OSHA Riser Safety Pin	D
Riser 3-Tread (Includes Legs)	E
Riser 4-Tread (Includes Legs)	(Not Shown)
Riser 3-Tread with Oversized Feet (Includes Legs)	(Not Shown)
Riser 4-Tread with Oversized Feet (Includes Legs)	(Not Shown)
Riser Leg LH 12.5" (Included with Riser)	F
Riser Leg RH 12.5" (Included with Riser)	G
Platform Handrail	H
Riser Handrail 3-Tread	J
Riser Handrail 4-Tread	(Not Shown)
Platform Leg and Riser Leg Adjustment Bolts & Washers	K
Oversized Feet	(Not Shown)
Platform Canopy	(Not Shown)

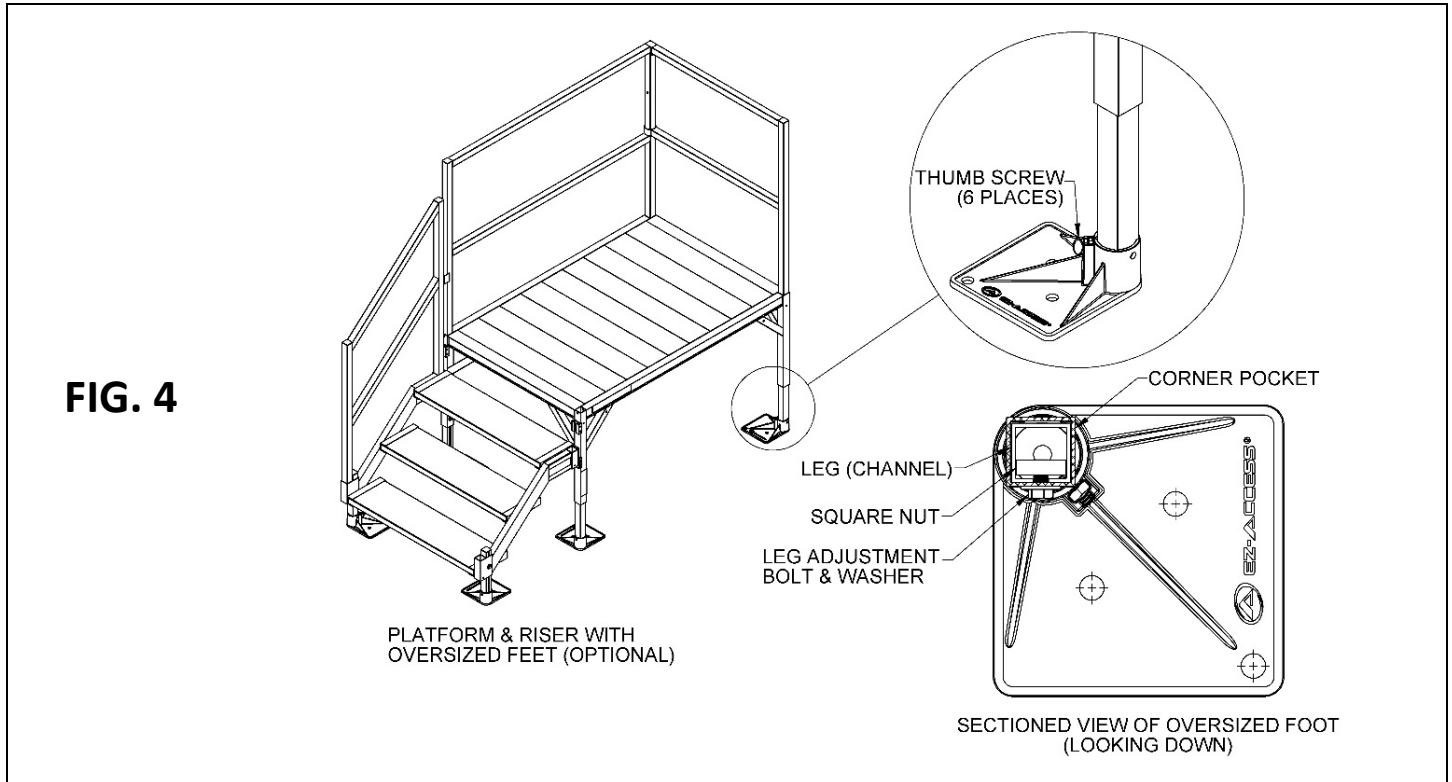
1. INSTALLATION

- 1.1. Set platform on its side.
- 1.2. Loosen platform leg adjustment bolts in each platform corner pocket, but do not remove. Adjust legs to desired height and securely retighten platform leg adjustment bolts and washers (FIG. 2).
 - ✎ If using oversized feet, see 'OVERSIZED FEET INSTALLATION (OPTIONAL EQUIPMENT)' section.
- 1.3. Set platform in upright position.
- 1.4. Readjust the height of each platform leg as necessary to level the platform. A slight tilt away from structure of no more than 1:50 will aid in drainage.
- 1.5. Remove the OSHA Riser Safety Pins and attach riser (FIG. 1E) to platform by placing the "T" in the riser's upper corner pockets into corresponding riser hanger (channels with roll pin) on the platform (FIG. 3).
 - 1.5.1. The "T" placement determines height; use either upper or lower riser hangers as required.
- 1.6. Secure riser to platform by reinserting OSHA Riser Safety Pins into the riser hanger (FIG. 3).
 - ⚠ OSHA Riser Safety Pins (FIG. 1D) must always be installed in the riser hangers on the platform corner pockets before use (FIG. 3).
- 1.7. Loosen riser leg adjustment bolts in the lower riser corner pockets, but do not remove. Adjust legs to desired height and tighten riser leg adjustment bolts securely (FIG. 2).
- 1.8. Insert the 60" (longer) side of platform handrail into platform corner pocket, on the side opposite the building or structure.
- 1.9. Unfold the 40" (shorter) side of the platform handrail (FIG. 1H) and orient on the side opposite the riser, then lower handrail into platform corner pockets until the snap button engages in the corresponding hole (FIG. 2).
- 1.10. Install riser handrail (FIG. 1J) into riser on the side opposite the building or structure.
- 1.11. Lag bolt (not included) the platform to the building using holes in platform angle braces (FIG. 2).
 - ⚠ If lag bolts cannot be installed, secure platform to building or structure in another structurally sound manner.
- 1.12. Ensure system is set up in desired configuration, is correctly positioned, and complies with applicable OSHA codes.
- 1.13. Ensure all fasteners and locking mechanisms are in place and secured.



2. OVERSIZED FEET INSTALLATION (OPTIONAL EQUIPMENT)

- 2.1 Loosen the leg adjustment bolts in each platform and riser corner pocket, but do not remove; then remove the existing legs (FIG. 2).
- 2.2 Insert the legs included with the oversized feet into the corner pockets with the open side of the channel oriented toward the leg adjustment bolt & washer and the square nut inside the leg (FIG. 4).
 - ✎ The two short legs install in the bottom of the riser and the four long legs install in the platform.
- 2.3 Install an oversized foot onto each leg with the foot oriented under the platform or riser (FIG. 4).
 - 2.3.1 Adjust to the desired height, and then tighten both the thumb screws in the feet and the leg adjustment bolts in the corner pockets securely.
- 2.4 Proceed with the remaining installation steps.



3. PLATFORM CANOPY INSTALLATION (OPTIONAL EQUIPMENT)

3.1 Remove handrails from system (if installed) and set aside.

▲ Use extreme caution on platform when no handrails are present.

3.2 Insert 1-1/2" square canopy posts into platform corner pockets (FIG. 5).

3.3 Set canopy roof on canopy posts. Insert top of canopy posts into canopy roof corner pockets and tighten corner pocket set screws (FIG. 5).

3.4 Insert 5/16"-18 x 3-1/2" button head socket cap screws, 5/16" flat washers, and 5/16"-18 locknuts as shown (with the locknuts on the inside) to attach handrails to the canopy posts (FIG. 6). Tighten all fasteners securely.

3.5 Install 1/4" x 1" pan head Phillips self-tapping screws through the existing holes in the platform corner pockets into the 1 1/2" square canopy posts (FIG. 6). Pre-drill 1/8" pilot holes in the canopy posts if needed.

3.6 Ensure all fasteners are in place and tightened securely.

▲ Regularly check and tighten fasteners as needed.

FIG. 5

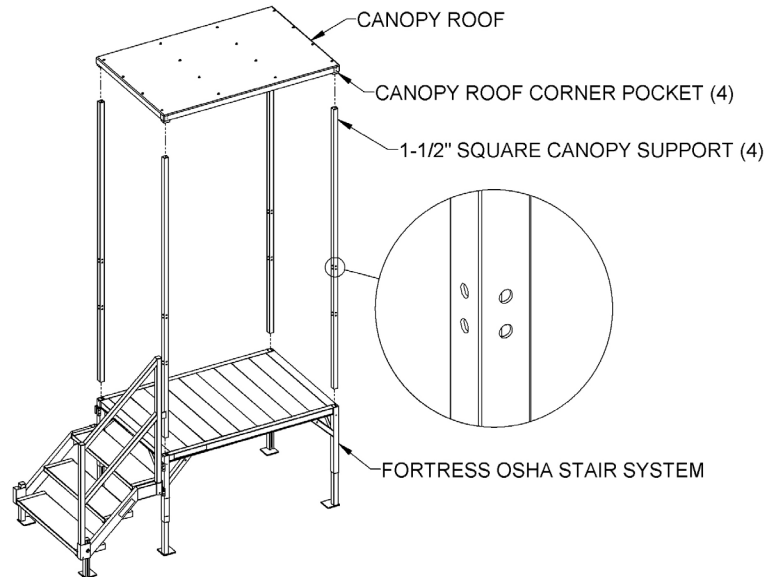


FIG. 6

