

FORTRESS

S700 PARTS MANUAL



Parts Manual



This product is manufactured to comply with the Medical Device Directive 93/42/EEC.

Use of Illustrations & Text:

The illustrations and accompanying text set out in this document are the property of Sunrise Medical Limited and must not be copied or used for manufacturing, tendering or any other purpose without written consent from Sunrise Medical.

Ordering:

Item numbers shown as N/A are for reference purposes only and should not be used when ordering replacement parts. Always quote the correct serial number and part number.

Quality Management Systems:

Sunrise Medical Limited is accredited to ISO 9001: 2008, which is the internationally recognized standard for quality management systems, as well as ISO 13485: 2012, which specially governs Medical Devices. These approvals ensure that we provide quality in all areas of our business from development through to final delivery.

Parts Disclaimer:

It is potentially hazardous to fit or use any parts other than genuine Sunrise Medical parts. The company disclaims all liability for the consequences of such use, which in addition voids the product warranty.

This product is for the carriage of one person and must not under any circumstances be used for any other purpose.

Questions:

Should you have any questions then please contact Sunrise Medical Canada Inc. at

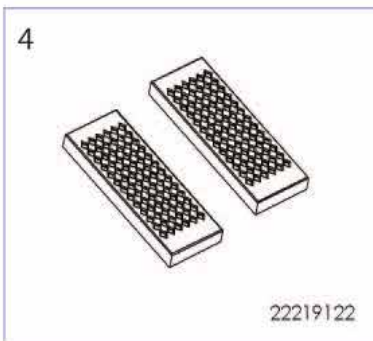
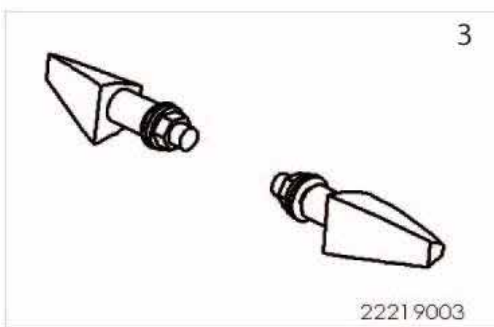
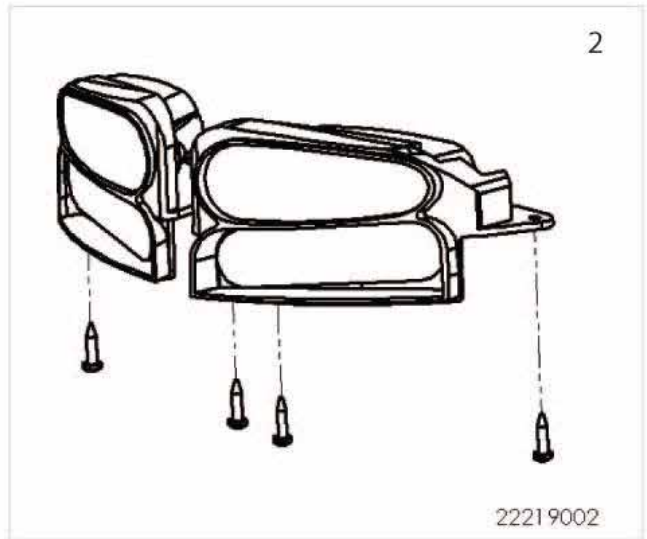
Tel 1.800.263.3390

Fax 1.800.561.5834

Table of Contents

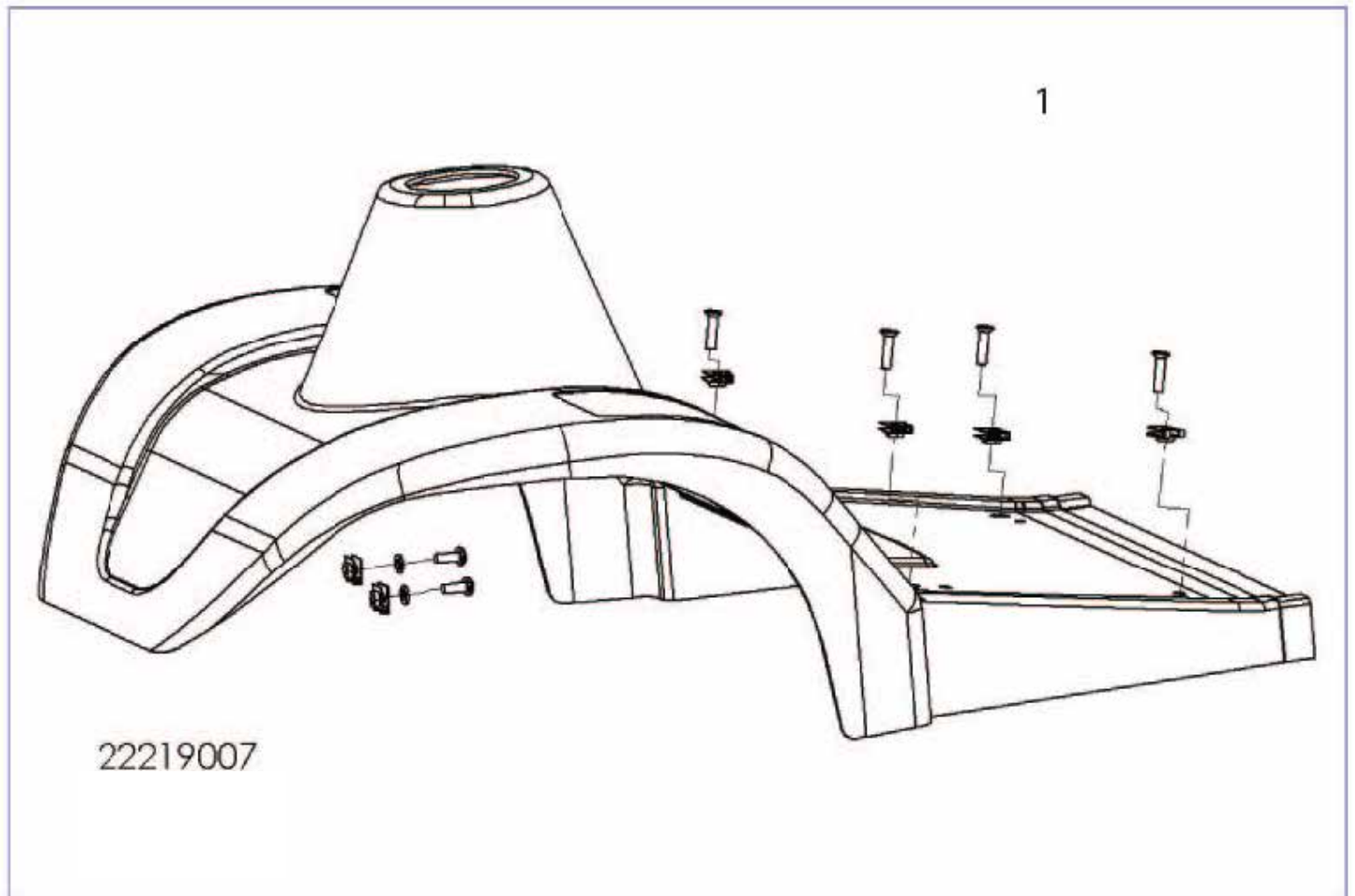
Lights and Indicators	4
Front Shrouds	5
Rear Shrouds	6
Tiller Panels	7
Pod Moldings.....	8
Floor Mats	9
Tiller.....	10
Tiller Accessories	11
Chassis	12
Bumpers.....	13
Steering	14
Suspension	15
Controller.....	17
Battery Charger	18
Display.....	19
Potentiometer	20
Sockets, Keys and Potentiometer	21
Looms	22
Motor.....	23
Motor Brake.....	24
Disc Brake.....	25
Seat	26
Seat Accessories.....	27
Wheels	28
Decals.....	29
Common Accessories	30
Accessories	31

S700 Lights and Indicators



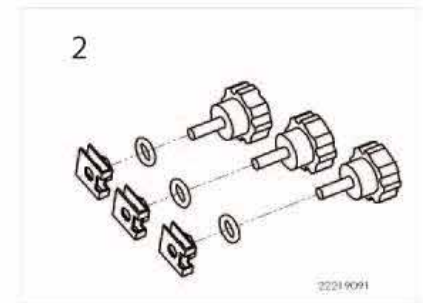
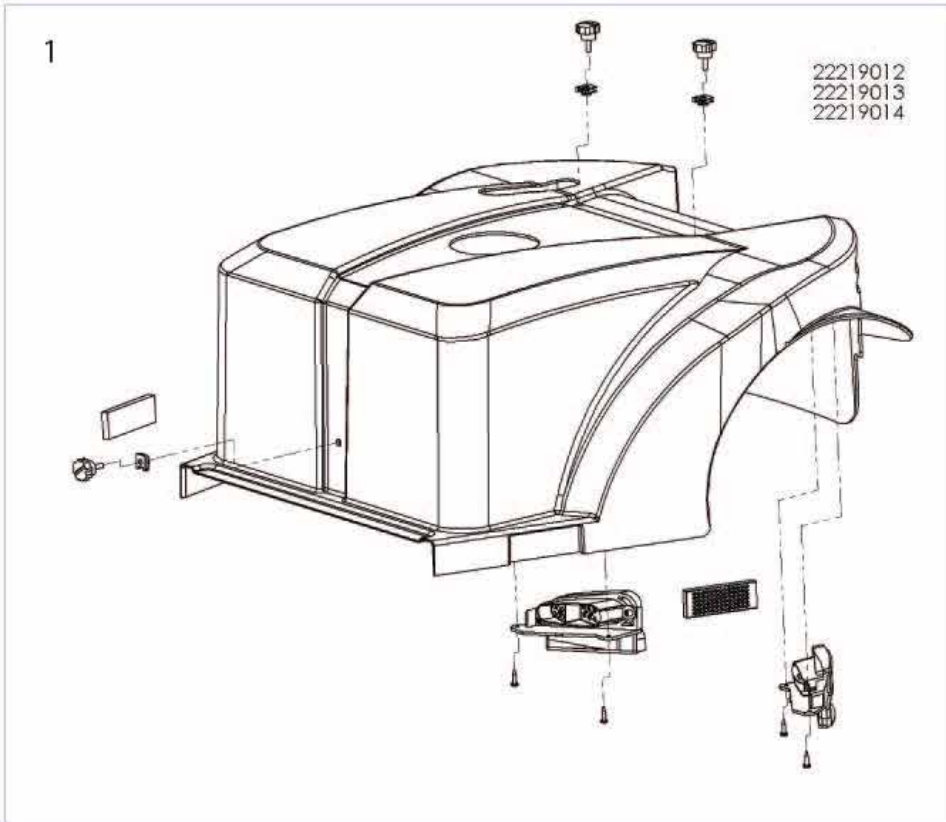
POS	Item Number	Description	Comment
1	22219001	Head Light Plus Hardware	
2	22219002	Rear Lights Plus Hardware	Pair
3	22219003	Front Indicators Plus Hardware	Pair
4	22219122	Reflectors - Orange	Pair
5	22211041	LED Bulb and Holder Inc. Loom	

S700 Front Shrouds



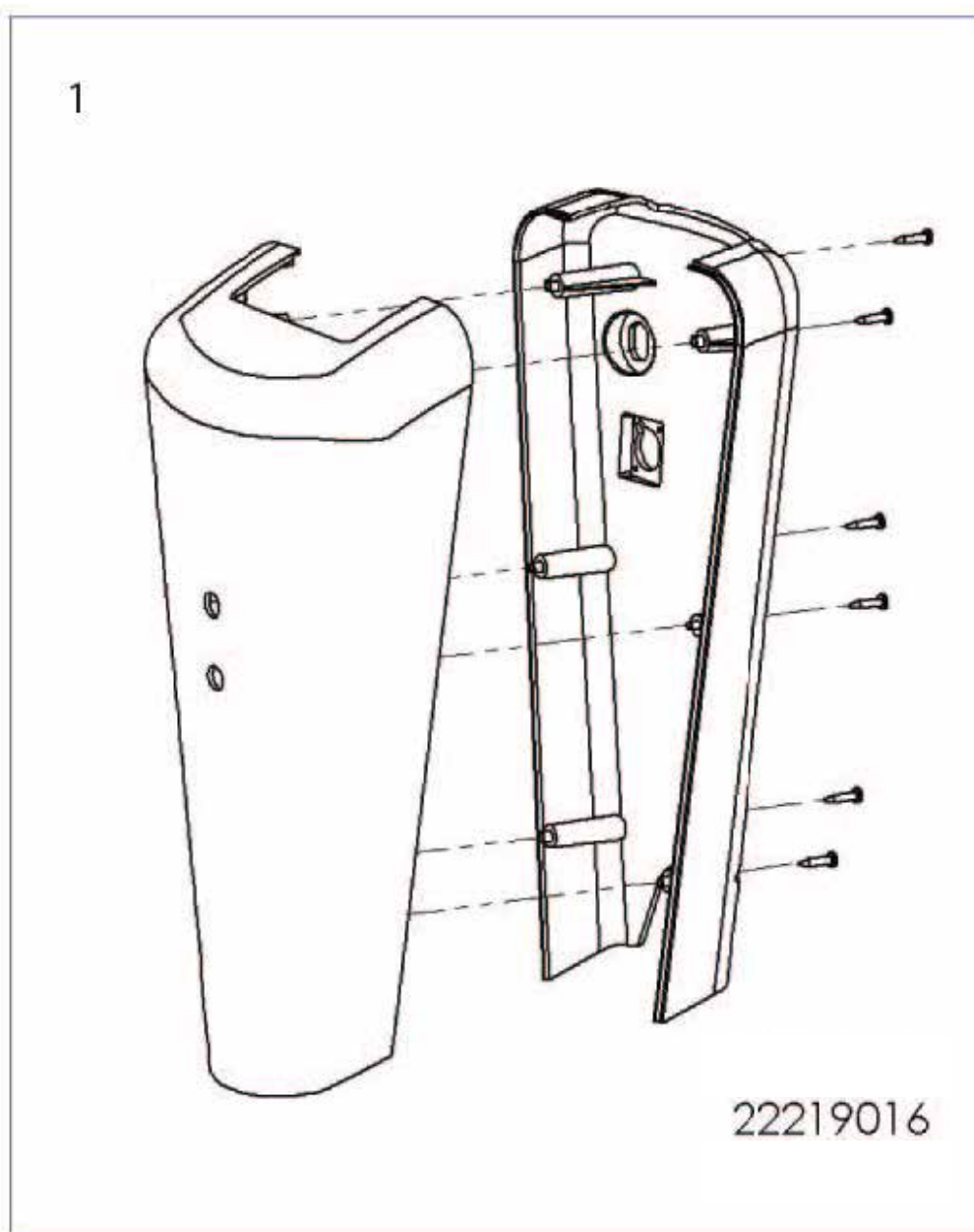
POS	Item Number	Description
1	22219007	Front Shroud Plus Hardware, Foot Decals, Decals. Urban Grey QD

S700 Rear Shrouds



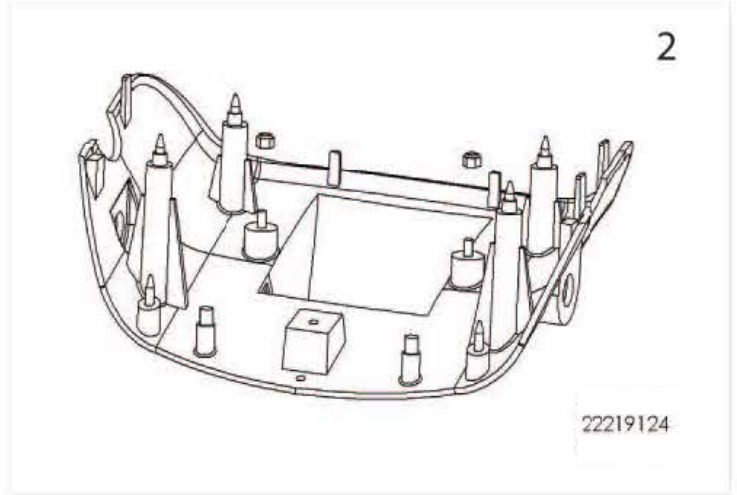
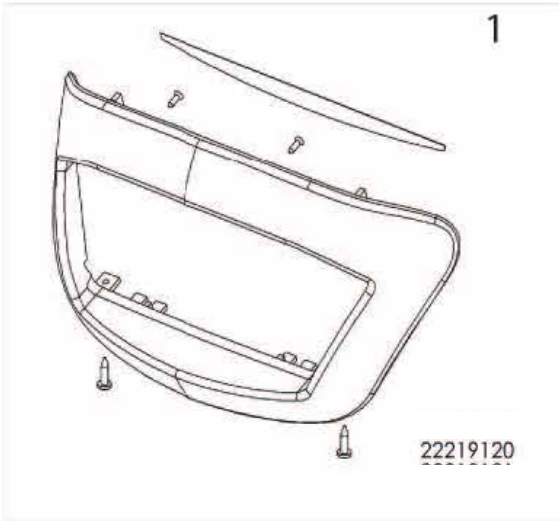
POS	Item Number	Description
1	22219012	Rear Shroud Plus Lights, Side Reflectors Plus Hardware Plus Decals, Urban Grey QD
2	22219091	Rear shroud hardware knob kit

S700 Tiller Panel



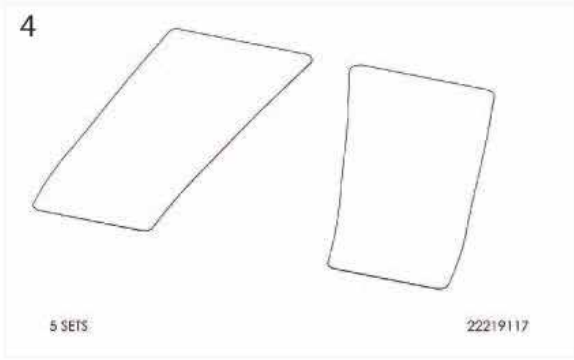
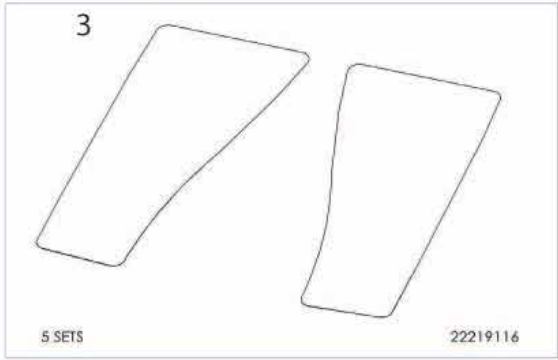
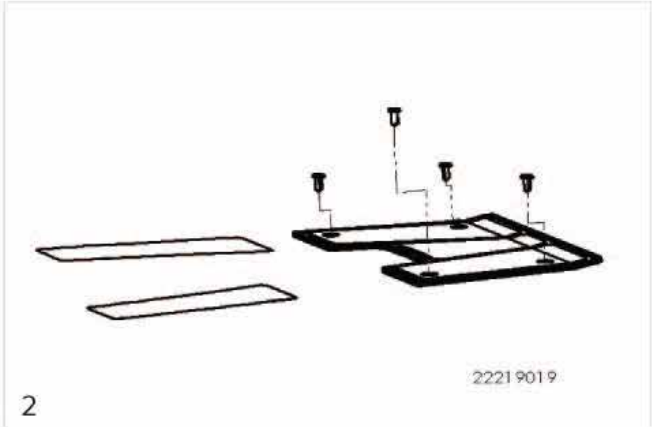
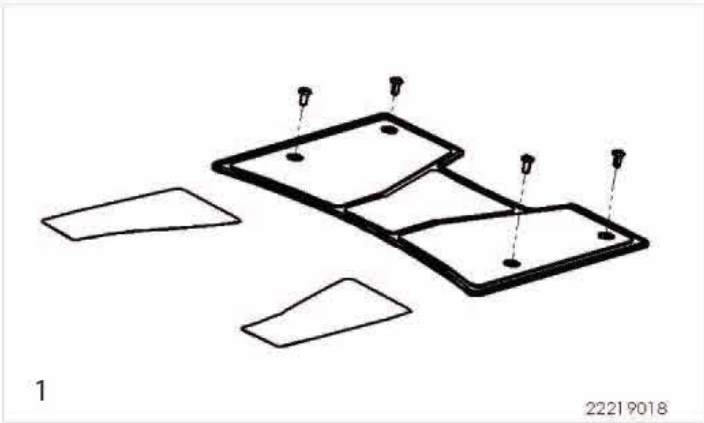
POS	Item Number	Description
1	22219016	Tiller Shrouds Complete and Hardware Urban Grey QD

S700 POD MOLDINGS



POS	Item Number	Description	Comments
1	22219120	Headlight Shroud and Hardware Urban Grey QD	
2	22219124	Lower pod and Hardware Urban Grey QD	
3	22219118	Decal Strip	5 pcs

S700 FLOOR MATS

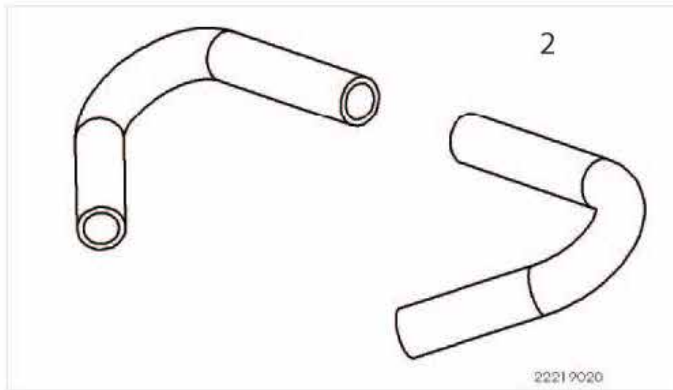


POS	Item Number	Description	Comments
1	22219018	Floor Mat plus Hardware S425	
2	22219019	Floor Mat plus Hardware S700	
3	22219116	Foot Mat S425	1 Pair
4	22219117	Foot Mat S700	1 Pair

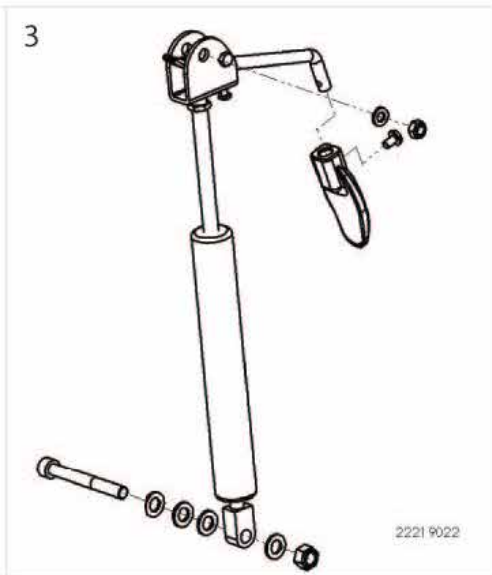
S700 TILLER



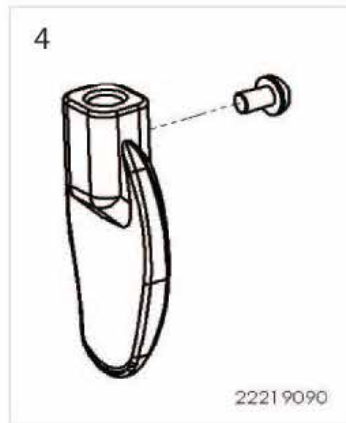
22313001



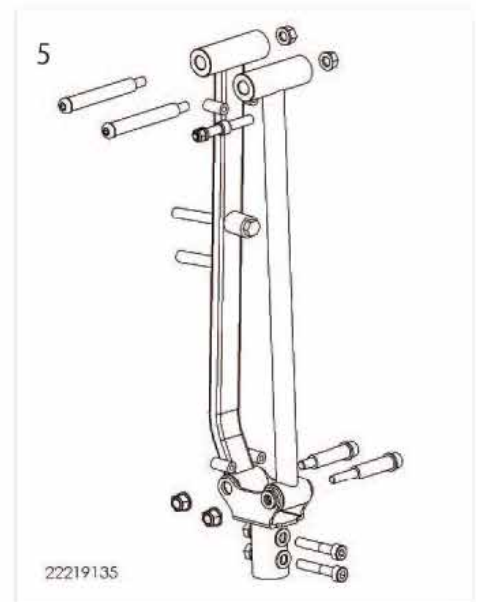
22219020



22219022



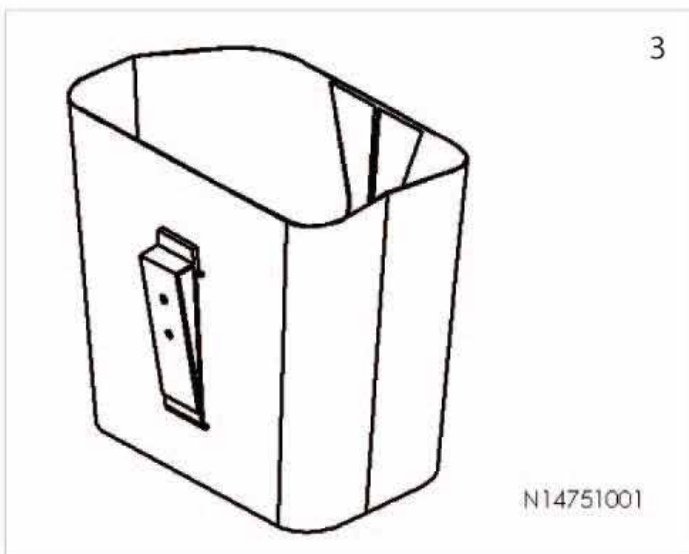
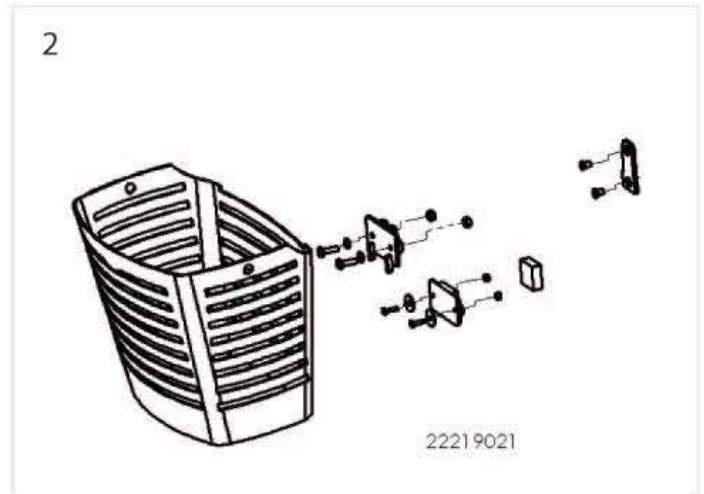
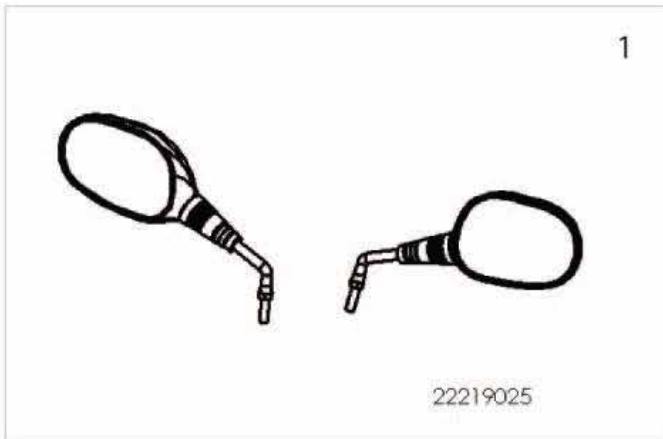
22219090



22219135

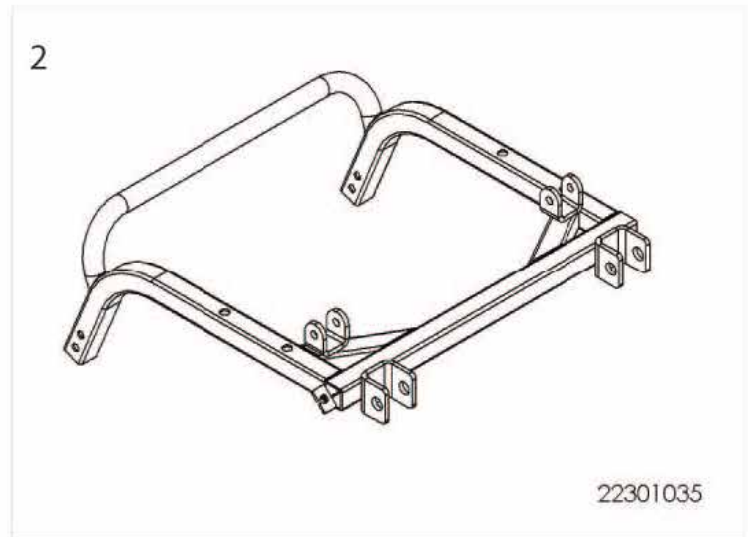
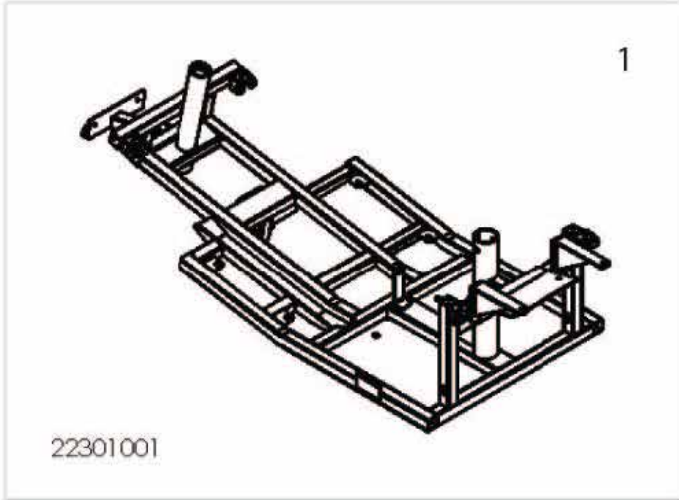
POS	Item Number	Description
1	22313001	Bellows
2	22219020	Hand Grip Pair
3	22219022	Tiller Gas Strut Complete with Hardware and Lever
4	22219090	Tiller gas strut release handle
5	22219135	Tiller Assembly including Fasteners

S700 Tiller Accessories



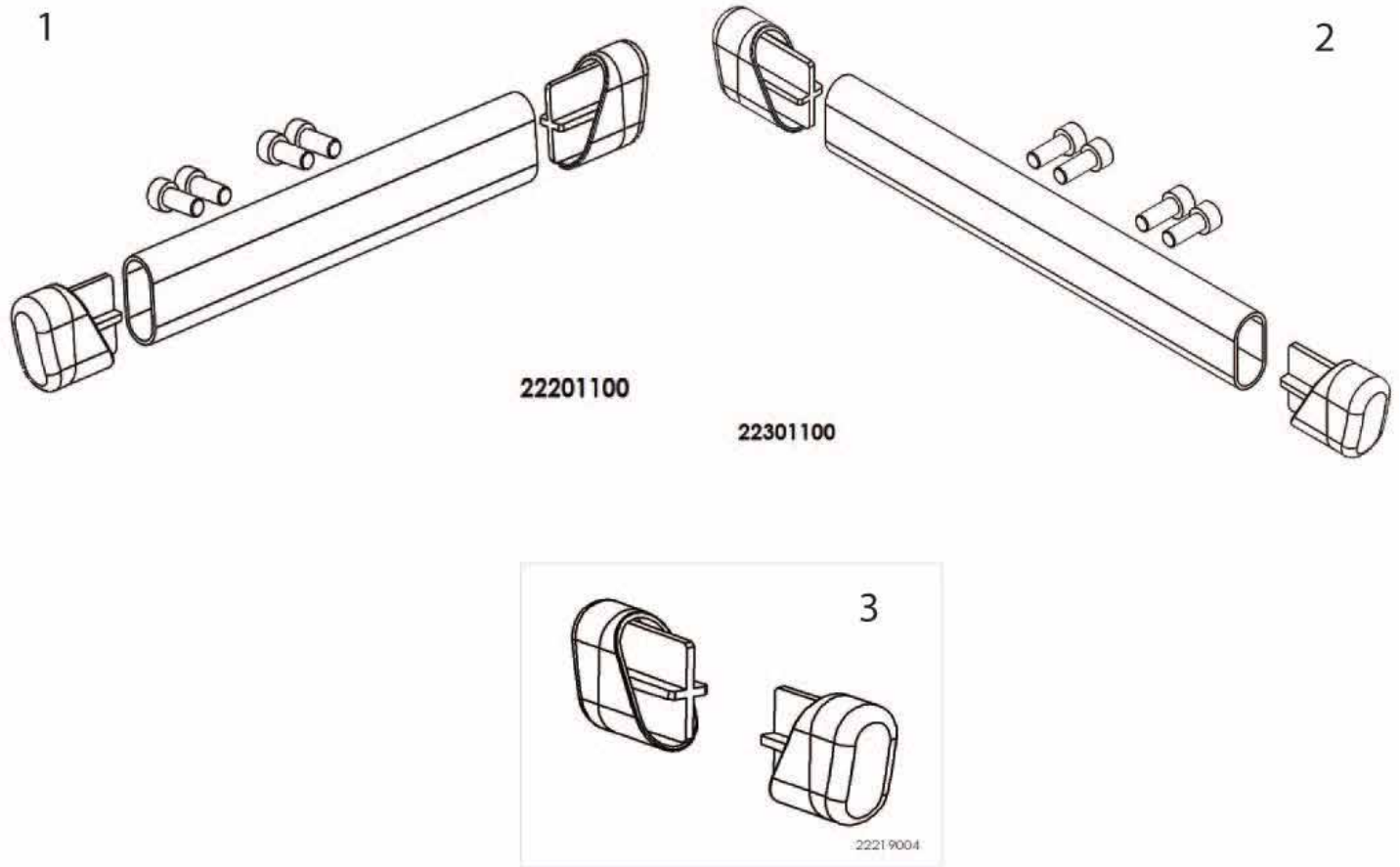
POS	Item Number	Description	Comments
1	22219025	Mirrors	Pair
2	22219021	Basket Complete Plus Hardware and Brackets	
3	N14751001	Basket complete including bracket	Canada

S700 Chassis



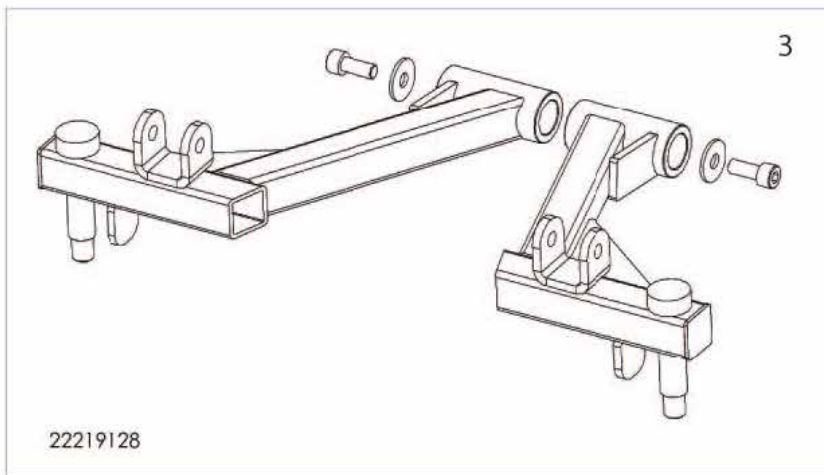
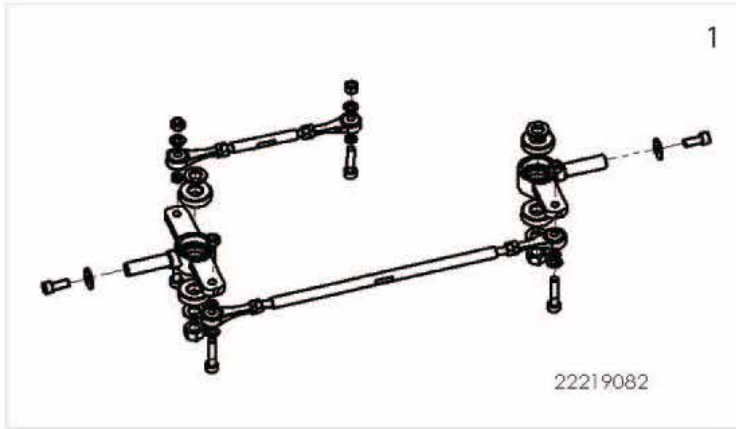
POS	Item Number	Description	Comments
1	22301001	Front Chassis S700	
2	22301035	Rear Chassis S700	

BUMPERS



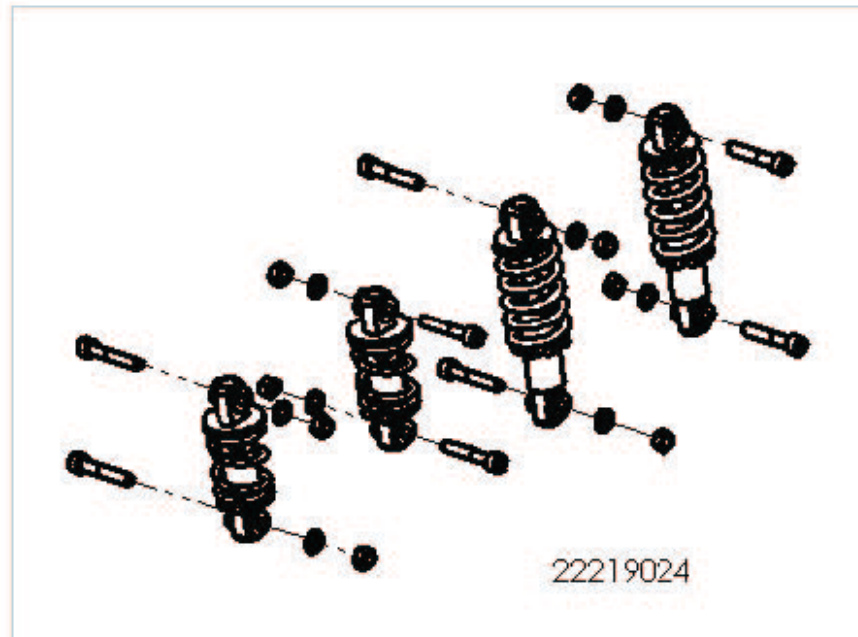
POS	Item Number	Description	Comments
1	22201100	Front Bumper S425	
2	22301100	Front Bumper S700	
3	22219004	Front Bumper Caps	

S700 STEERING



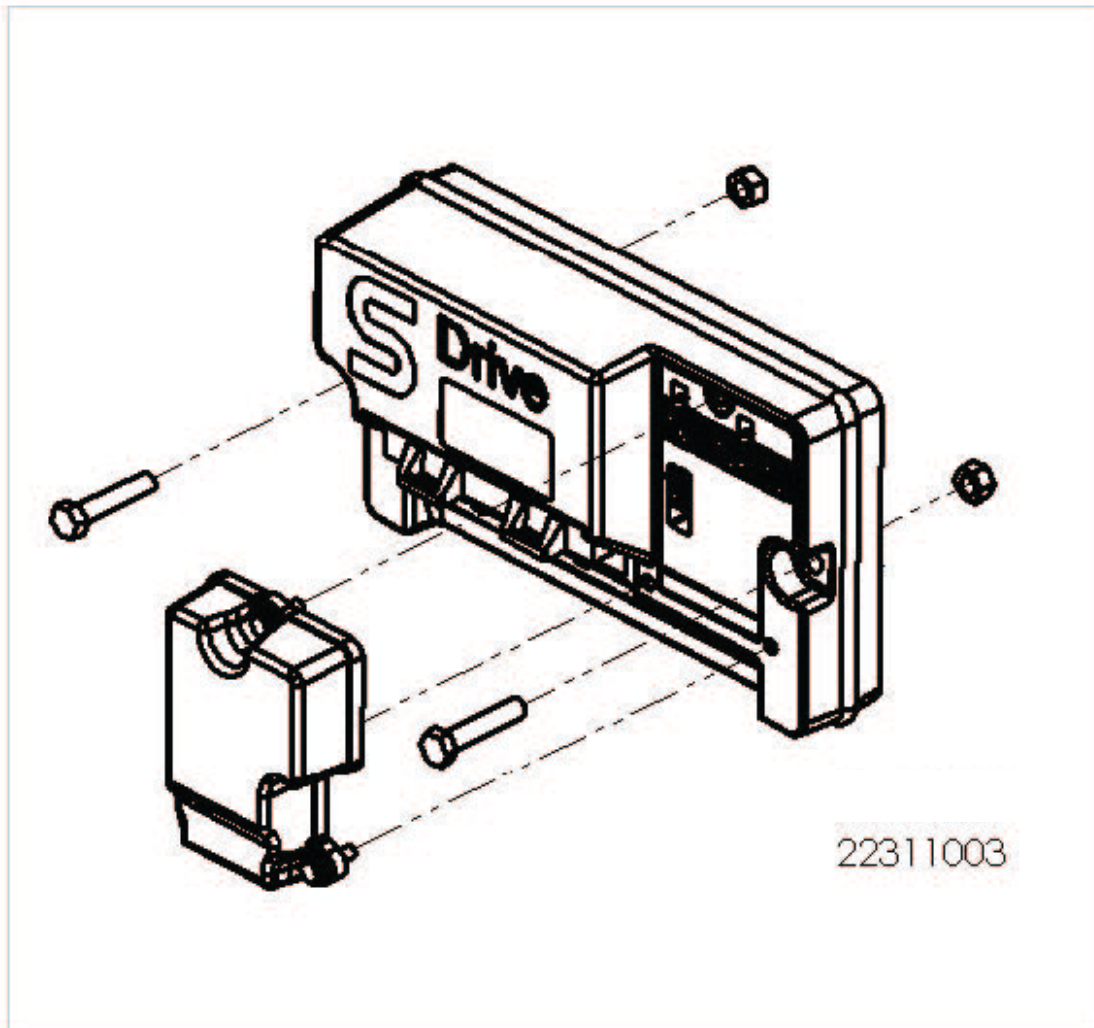
POS	Item Number	Description
1	22219082	Steering linkage assembly complete plus bearings S700
2	22219084	Steering lever arm assembly complete plus bearings S700
3	22219128	Steering bar LH and RH S700

S700 Suspension



POS	Item Number	Description
-	22219024	Front & Rear Shock Plus Hardware S700

S700 Controller

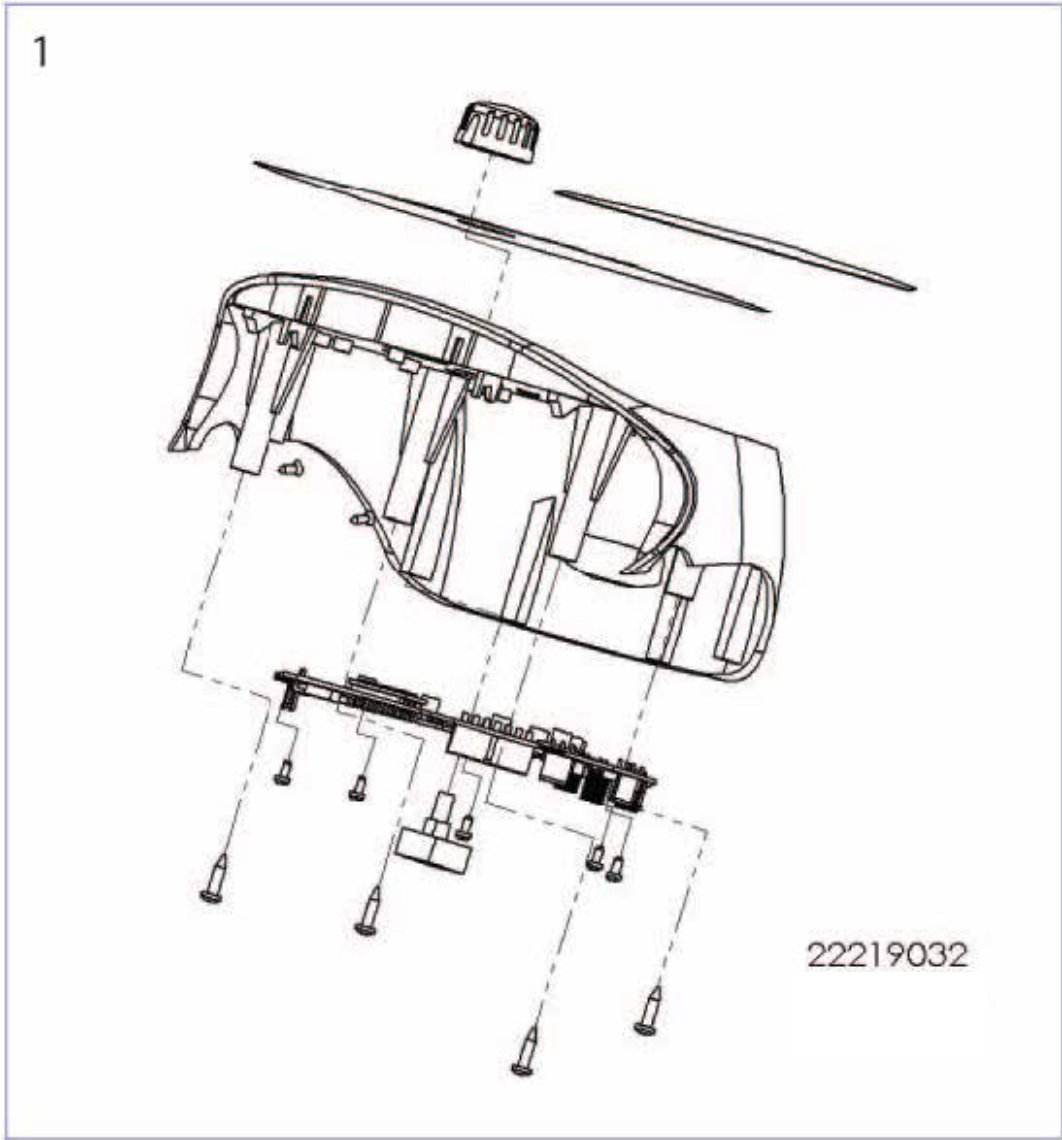


POS	Item Number	Description	Comments
-	-	Note - Refer to WEBIQ for correct program ---	
	22311003	Controller 140 Amp Plus Hardware and Cover S700	Canada Only

Battery Charger

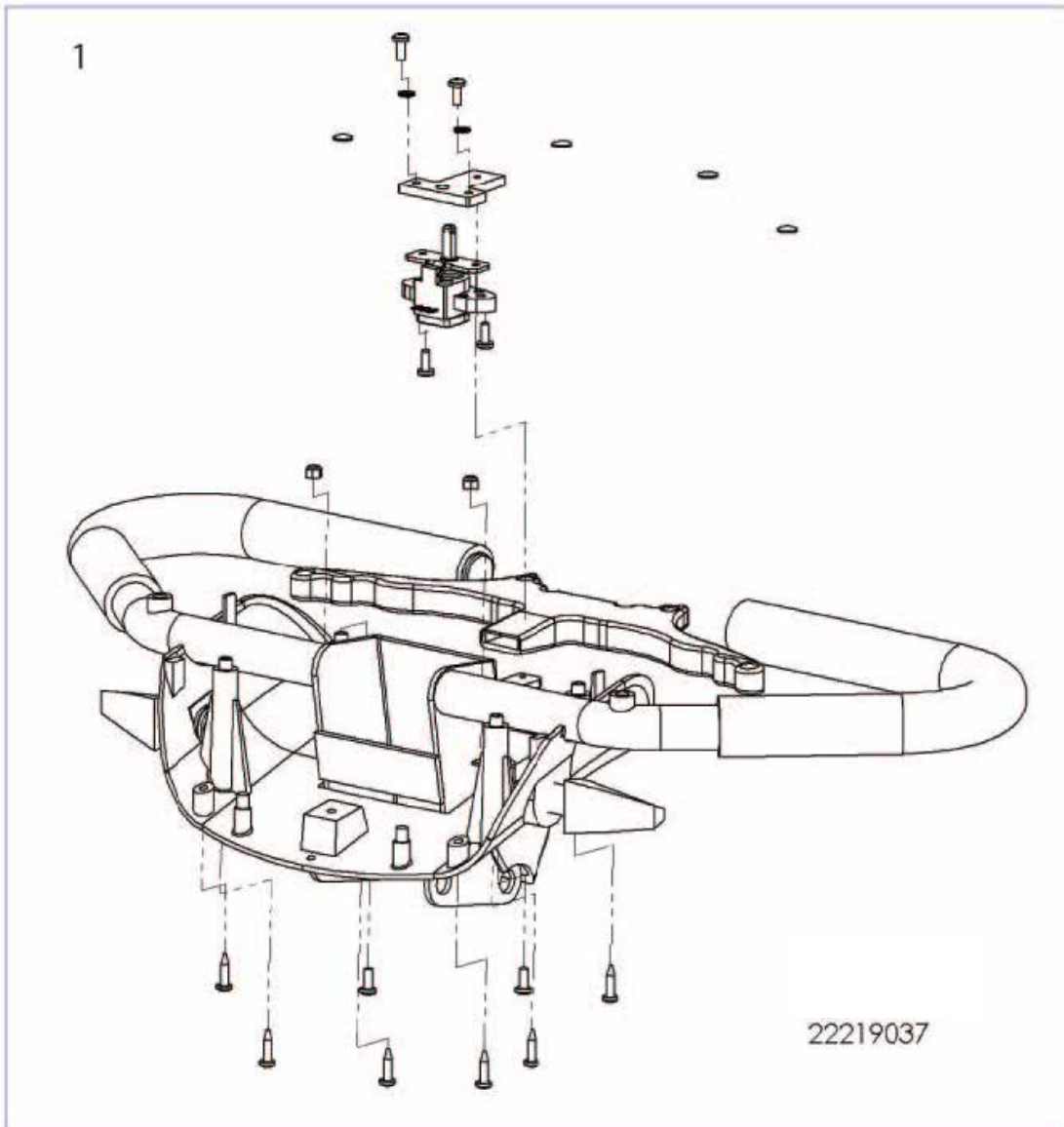


POS	Item Number	Description
2	22219137	Charger 8 Amp S425 S700
N/S	22219145	CAN Plug NEMA 3 Prong



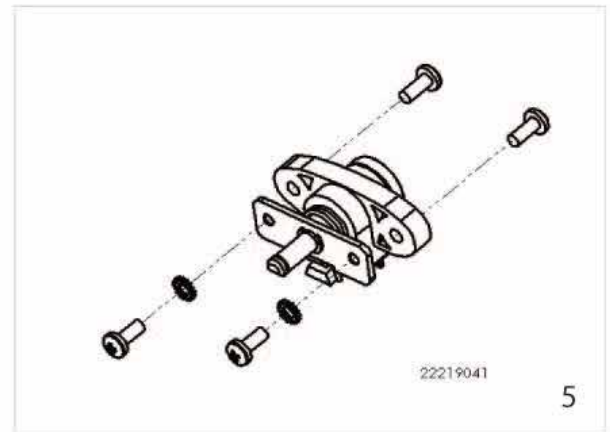
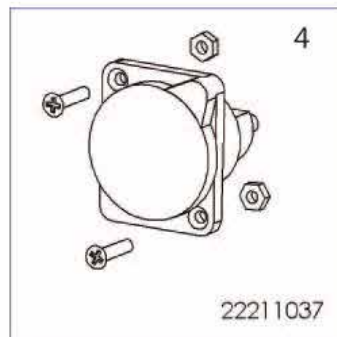
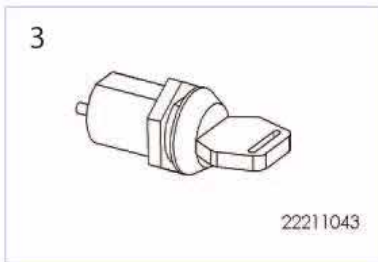
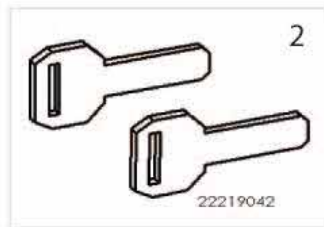
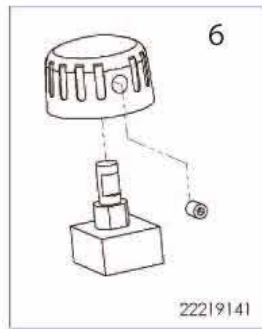
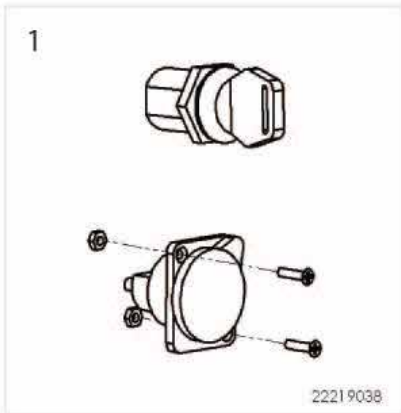
POS	Item Number	Description
1	22219032	Display PCB complete with molding, decals , speed pot and Hardware Urban Grey QD

S400 S425 S700 POTENTIOMETER



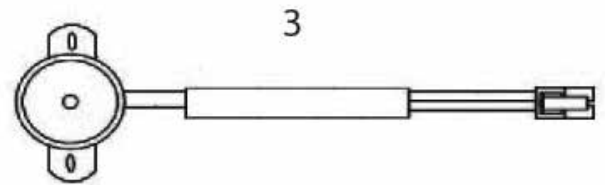
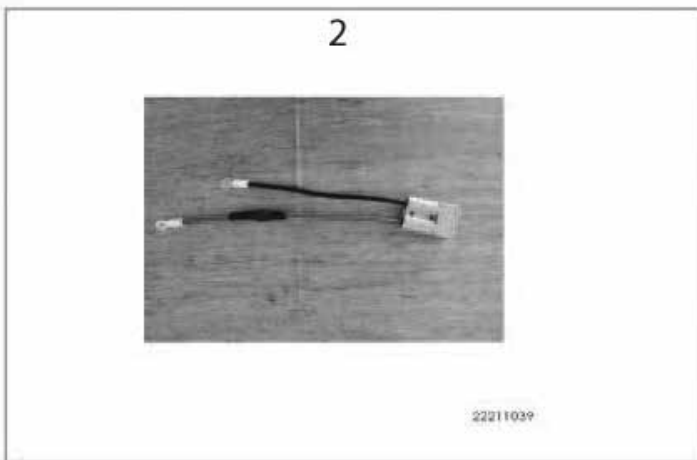
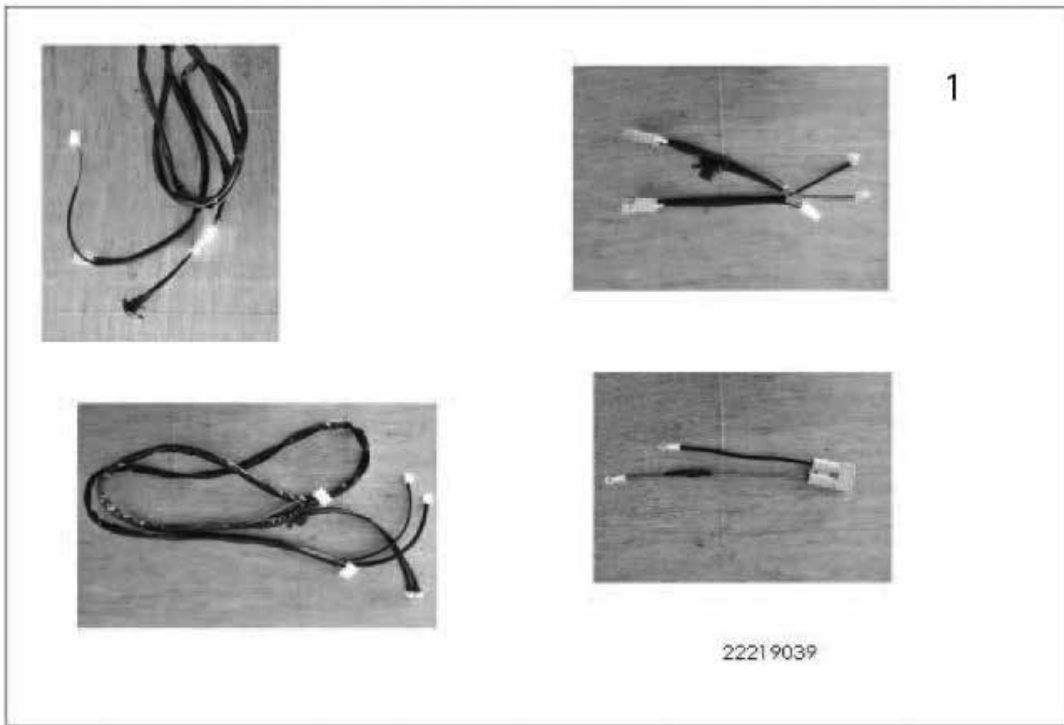
POS	Item Number	Description	Comments
1	22219037	Potentiometer complete with molding wigwag indicators and Hardware Urban Grey QD S425/S700	

S700 SOCKETS, KEYS AND POTENTIOMETER



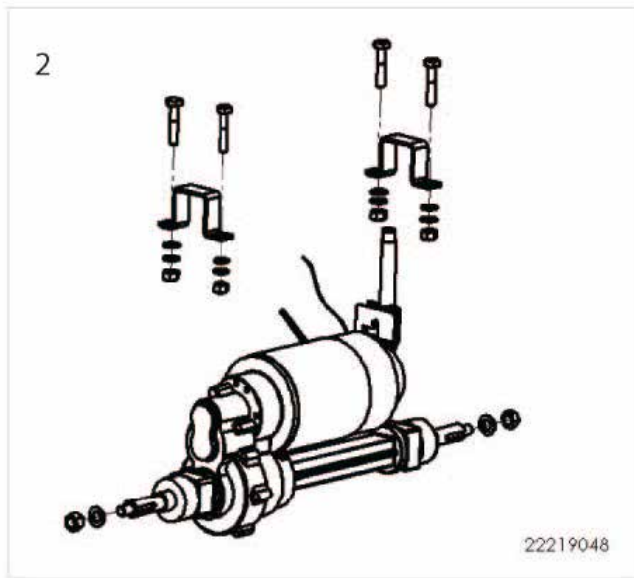
POS	Item Number	Description
1	22219038	Charge socket and loom plus Key Switch and loom
2	22219042	Keys x 2
3	22211043	Key Switch plus 2 x keys including Loom
4	22211037	Charger Socket plus Hardware including Loom
5	22219041	Potentiometer plus Hardware including Loom
6	22219141	Speed Potentiometer Kit including Loom
7	22219114	Speed Potentiometer Knob Kit
8	22219126	Horn including Loom

S700 Looms



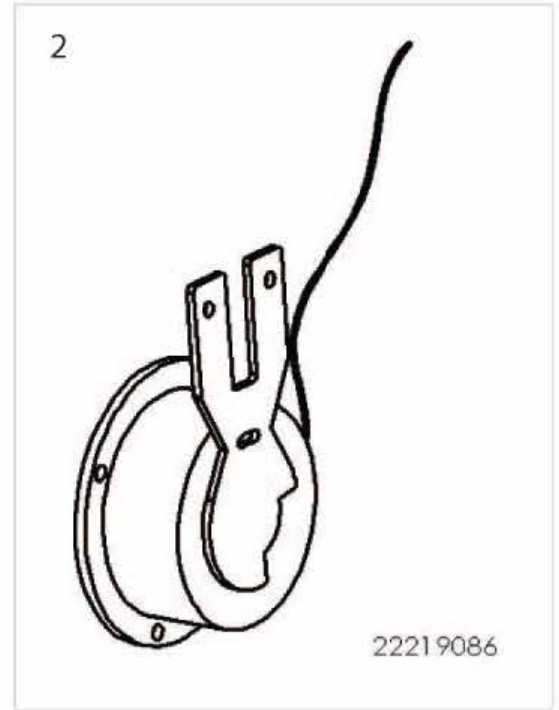
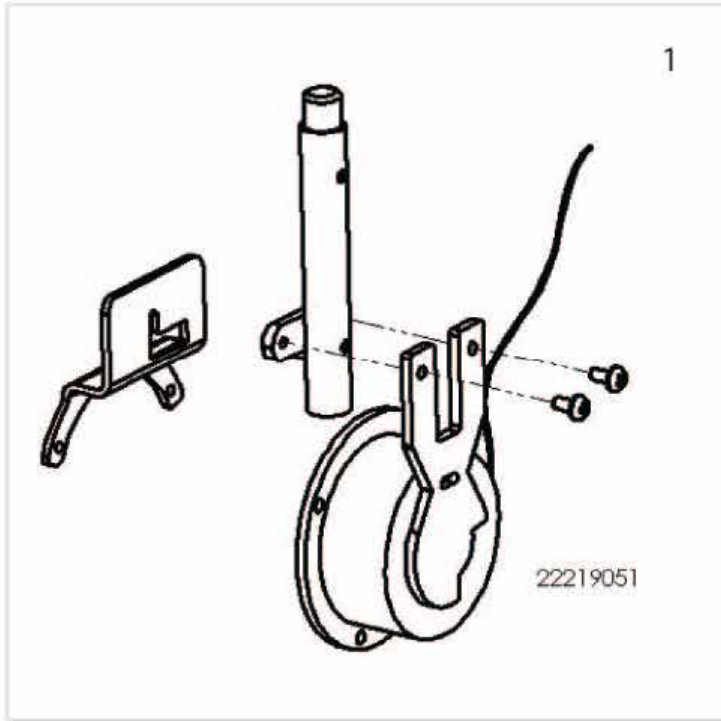
POS	Item Number	Description	Comments
1	22219039	Loom Kit Complete to Include all Looms	
2	22211039	Battery Loom	2 Supplied
3	22211100	Reverse Beep Loom	

S700 Motor



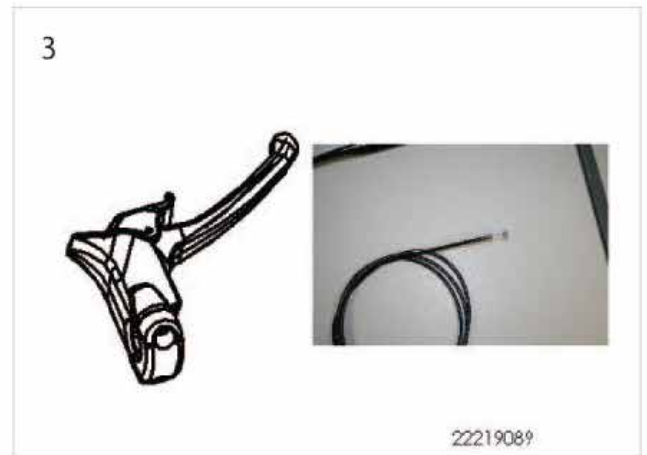
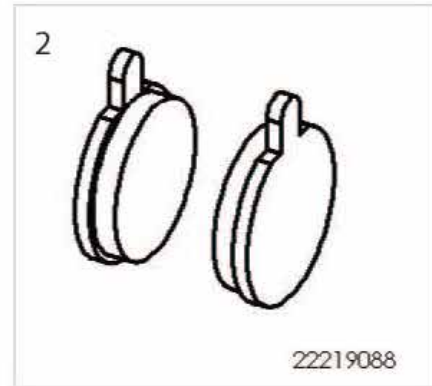
POS	Item Number	Description	Comments
2	22219048	15 KPH Trans-axle complete with brake release assembly, trans-axle brackets and hardware S700	
3	22219049	Brushes plus caps S700	4 Supplied

S700 Motor Brake



POS	Item Number	Description
1	22219051	Brake Release Complete S700
2	22219086	S700 Brake Only 10Nm
N/S	22310016	Brake Cover S700

S700 Disc Brake



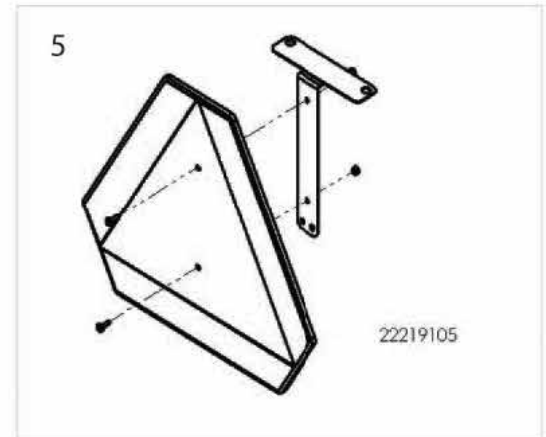
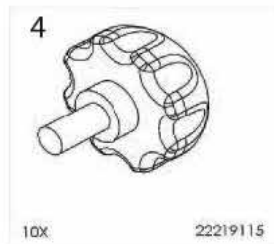
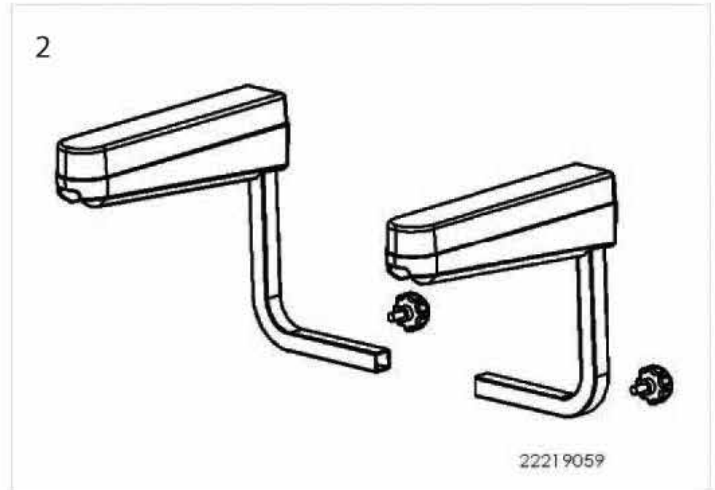
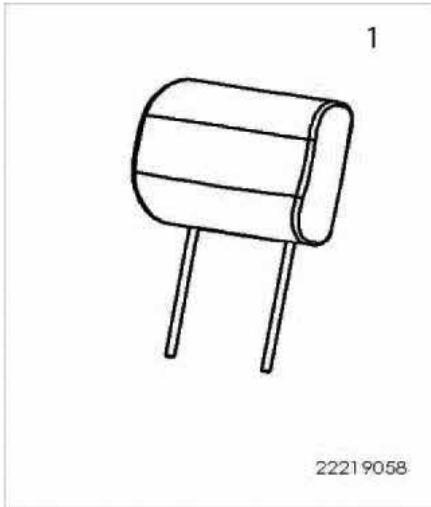
POS	Item Number	Description
1	22219053	Disc Brake Complete With Cable S700
2	22219088	Disc Brake Pads
3	22219089	Brake Lever Complete With Cable S700

S700 Seat



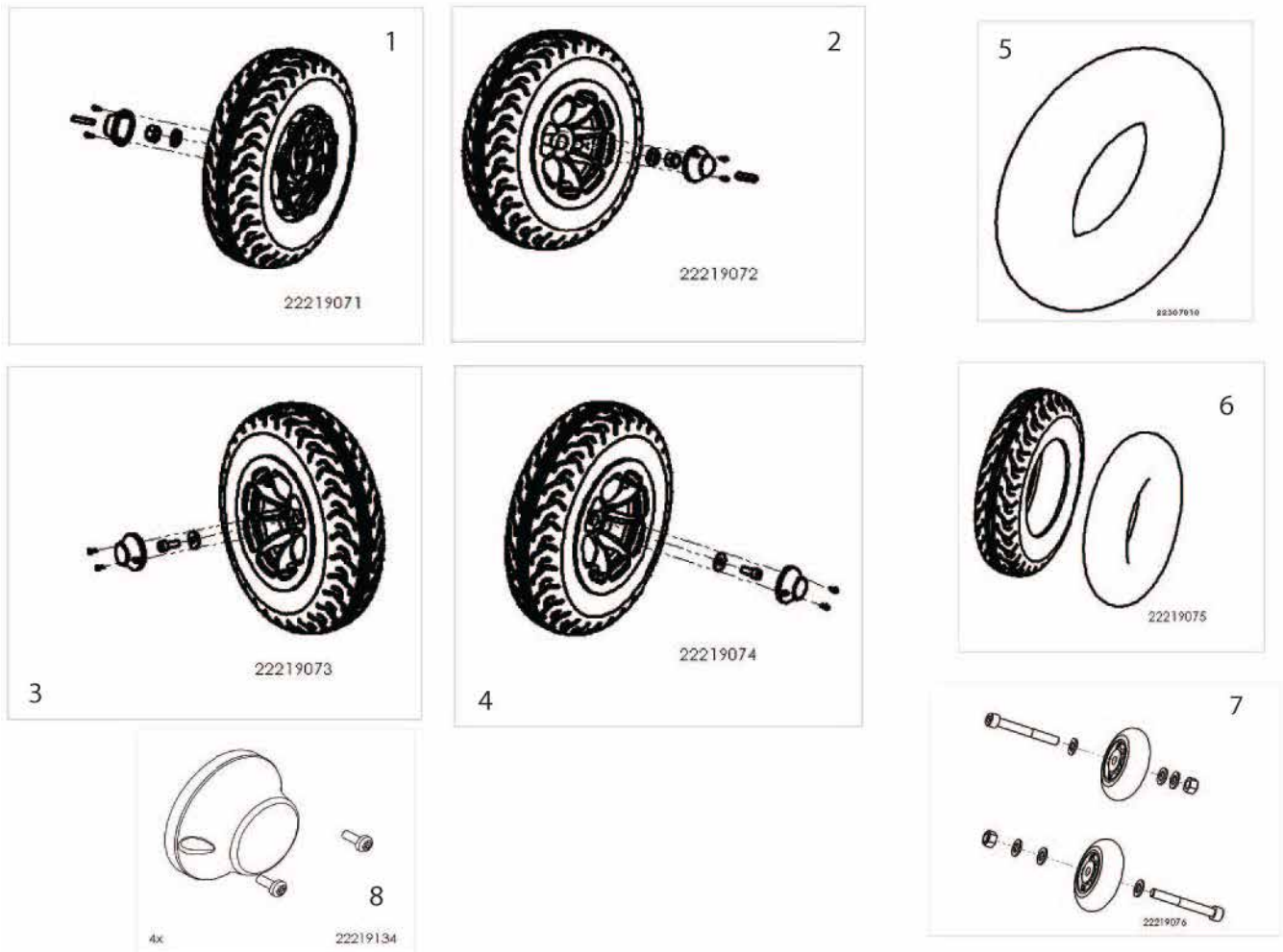
POS	Item Number	Description
1	22219055	Seat plate complete with seat post and hardware
3	22219130	Seat assembly 19in (49cm) to include stop and hardware S700

S700 Seat Accessories

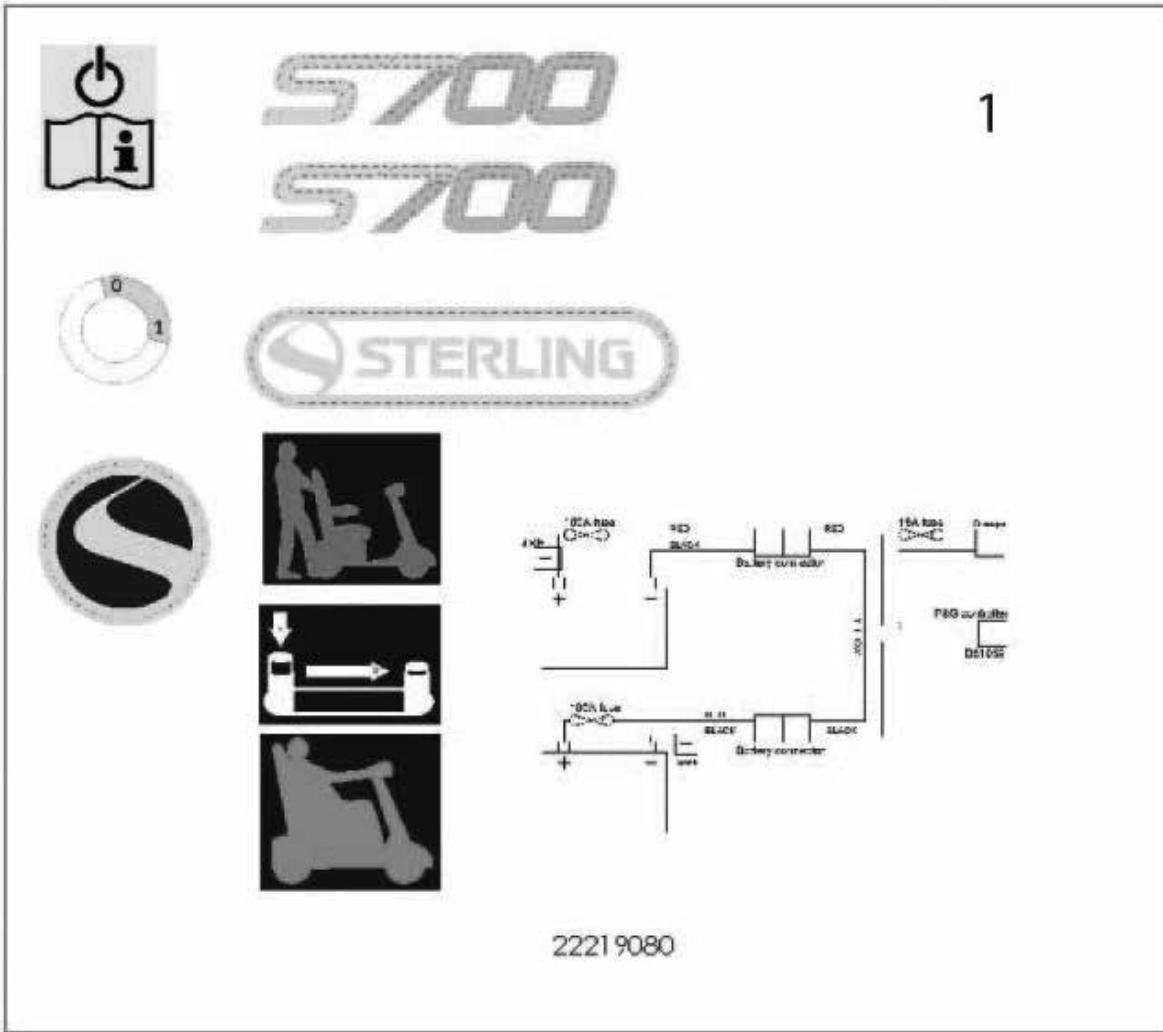


POS	Item Number	Description	Comments
1	22219058	Headrest	
2	22219059	Seat Armrest Rh Lh Plus Hardware	
3	22219060	Lap Belt	
4	22219115	Armrest And Accessory Adj Knob	10 Pcs
5	22219105	Hazard Warning Kit	

S700 Wheels



POS	Item Number	Description	Comments
1	22219071	13in (33cm) Rear wheel assembly RH complete with hardware and cap (pneumatic)	Comes with brake disc included
2	22219072	13in (33cm) Rear wheel assembly LH complete with hardware and cap (pneumatic)	
3	22219073	13in (33cm) Front wheel assembly RH complete with hardware and cap (pneumatic)	
4	22219074	13in (33cm) Front wheel assembly LH complete with hardware and cap (pneumatic)	
5	22307010	13in (33cm) Inner Tube	
6	22219075	13in (33cm) Tire plus inner tube	Tire size 4.10/3.50 - 6
7	22219076	Anti Tip Wheels pair plus hardware	
8	22219134	Hub caps and hardware	Set of 4



POS	Item Number	Description	Comments
1	22219080	Decal Sheet S700	
2	22309011	Fortress Decal	2 pcs

Common Accessories



POS	Item Number	Description	Comments
1	22219098	Storage cover	Not yet available
2	22219097	Seat all weather cover	Not yet available
3	22219099	User leg cover	Not yet available
4	22219100	User all weather cape	Not yet available
5	22219095	Crutch/walking stick holder (rear bumper mount)	
6	22219094	Crutch/walking stick holder (rear seat mount)	
7	22219093	O2 tank holder (seat back mount)	
8	22219092	Storage bag (seat back mount)	
9	22219096	Wheelchair/walker holder (seat mount)	Not yet available
10	22219103	Off board charging kit (for spare batteries)	Batteries not included

S700 Accessories

1



POS	Item Number	Description
1	22219102	Solid Tire Kit (set of 4)

