

Design Template OCTANE



Rider Information

Name: _____

Phone: _____

Email: _____

Height: _____ **Weight:** _____

Current Chair: _____ **Current Cushion:** _____

Ability/Diagnosis: _____

Account Information

Account Name : _____

Account #: _____ **PO#:** _____

Contact Name : _____

Phone: _____

Email: _____

Ship to: **Account** **Rider**

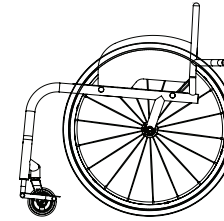
Name: _____

Address: _____

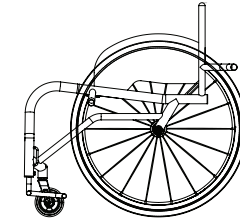
RGK Genius: _____

Frame Styles

OCTXZ010	Octane (Max User Weight 110kg/242lbs.)	\$8,500
XA070	Open design	STD
XA080	Dual-Tube design/Closed frame design	NCO
XW009	Quote Only (No CAD for Approval)	STD
XW011	Order Only (No CAD for Approval)	STD
XW012	Quote CAD drawing for approval	\$550
XW010	Order CAD drawing for approval (1st CAD is NC)	\$300



Open Design



Dual-Tube Design

Measurements

Please Note: All RGK chairs are hand built and have a manufacturing tolerance of +/- 5mm (.25"). All measurements can be done in 5mm (.25") increments.

Please select either **Millimeters** or **Inches**.

Measurements: **Millimeters (mm.)** **Inches (in.)**

XY010 Rear Seat Width Measured from inside of side guard to inside of opposite side guard. Or outside seat tube to outside of opposite seat tube near backrest. (Min. 250mm/9.84" and Max. 500mm/19.69")

Current Chair: mm. in. New Chair: mm. in.

XY020 Seat Depth/Seat Length Measured from front of back post to the front edge of seat sling. Frame bend will start .5" in front of seat sling unless Extra Frame Length requested. (Min. 250mm/9.84" and Max. 500mm/19.69")

Current Chair: mm. in. New Chair: mm. in.

XY030 Extra Frame Length Measured from front edge of seat sling to beginning of Front frame bend. (Seat length + Extra seat length)

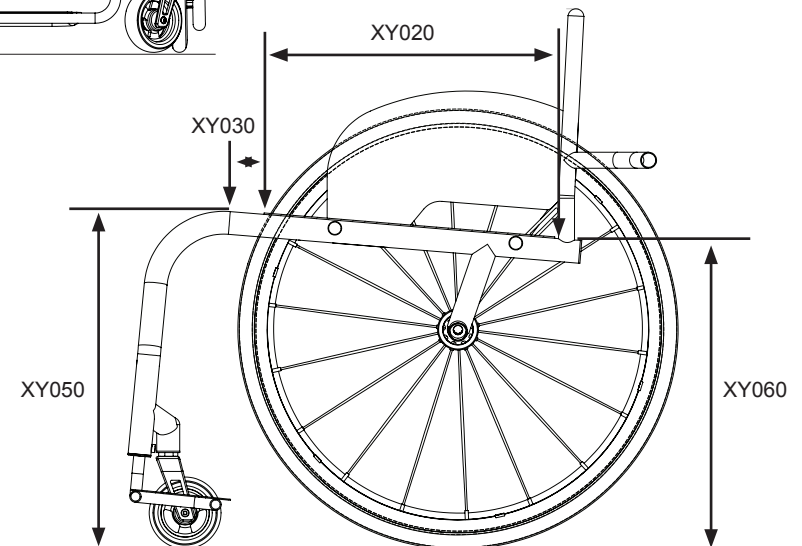
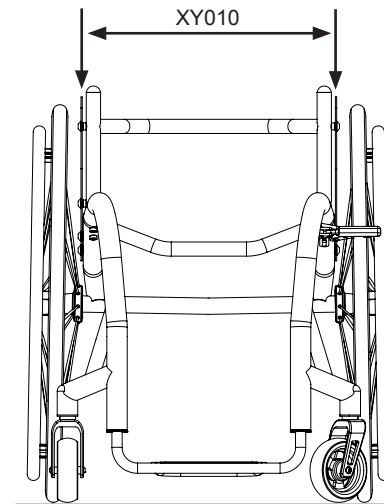
Current Chair: mm. in. New Chair: mm. in.

XY050 Front Frame Height Measured from floor to apex of seat tube. (Min. 380mm/14.96" and Max. 550mm/21.65")

Current Chair: mm. in. New Chair: mm. in.

XY060 Rear Frame Height Measured from floor to top of seat tube at back edge of seat sling. (Min. 360mm/14.17" and Max. 550mm/21.65")

Current Chair: mm. in. New Chair: mm. in.



Design Template

XY070 Occupied Frame Length/Frame Length Measured from the front of the backrest tube to the front edge of the footrest. (Min. 390mm/15.35" and Max. 750mm/29.53")

Current Chair: New Chair:

XY072 Caster Stem Position Measured from the front edge of the footrest to the centerline of the caster barrel. XY073 RGK to Optimize.

Current Chair: New Chair:

XA020 Ergonomic Seat Measured from front of back post to beginning of upward bend of seat tube. \$119

Current Chair: New Chair:

XY080 Front Seat Taper/Seat Taper Design Measured from inside of front frame tube at the front frame bend to inside of opposite front frame tube at the front frame bend.

Current Chair: New Chair:

XY091 Footrest Width/Parallel Taper Measured from inside of front frame tube at footrest adjustment to inside of opposite front frame tube at footrest adjustment. (Tip: when ordered together XY091 is usually 20mm (1") less than XY080).

Current Chair: New Chair:

XY115 Front Footrest Height Measured from ground up to the top of the Front footrest tube or cover.

Current Chair: New Chair:

XY120 Rear Footrest Height Measured from ground up to the top of the Rear footrest tube or cover. Standard is 20mm less than Front Footrest Height.

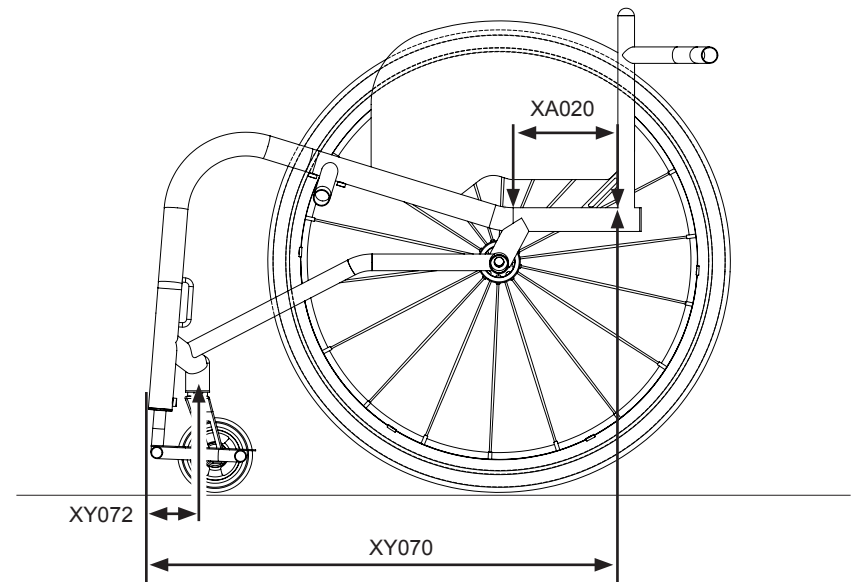
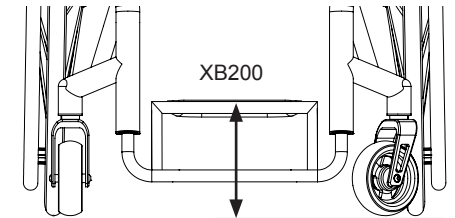
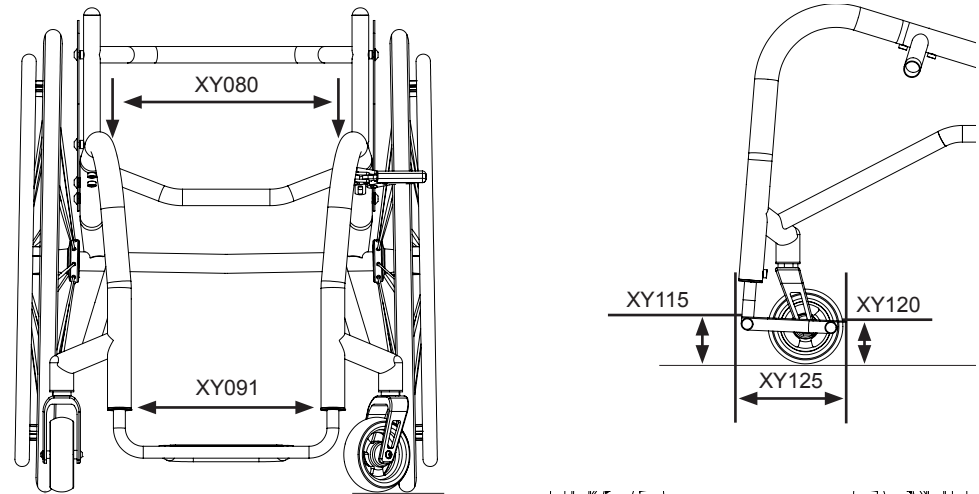
Current Chair: New Chair:

XY125 Footrest Length Measured from front edge of footrest to back edge of footrest. (Max: 140mm for certified weight)

Current Chair: New Chair:

XB200 High Mount Footrest/High Level Footrest Measured from ground up to the top of the Front footrest tube or cover. \$198

Current Chair: New Chair:



Design Template

XY330 Stem Bolt/Caster Pin Width Measured from centerline of caster pin to the centerline of the opposite caster pin. XY331 RGK to Optimize:

Current Chair: New Chair:

XY231 Backrest Height Measured from top of seat tube at rear of frame to top of back-post.

Current Chair: New Chair:

XY360 Backrest Angle Measured as the angle from top front of the backrest tube to the floor. (Max. -10° to +10°) -5° -3° 0° 3° 5°

Current Chair: New Chair:

XG110 Inward Taper Measured from inside backrest tube to inside of opposite backrest tube at the top of the backrest. \$144

Current Chair: New Chair:

XG100 Ergonomic Backrest Measured from top of seat tube at rear of frame to the start of the rearward bend of back-post. \$144

Current Chair: New Chair:

XG120 Outward Flare Measured from inside backrest tube to inside of opposite backrest tube at the top of the backrest. \$144

Current Chair: New Chair:

XY390 Camber Angle Place a straight edge across the outside of rear wheel and use an angle finder to show the degree of camber.

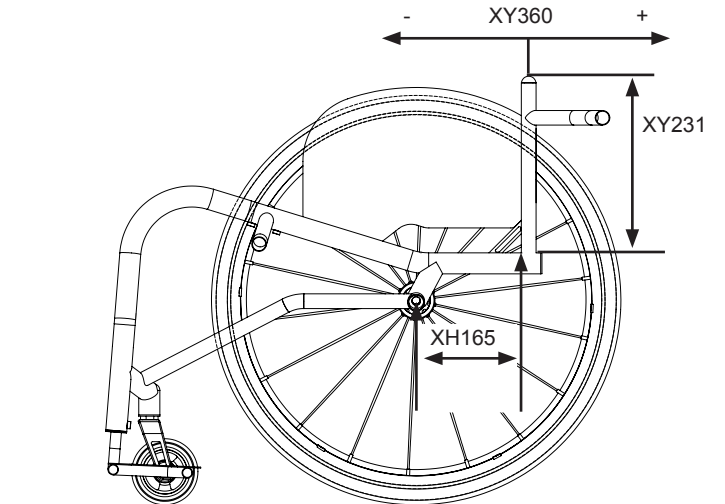
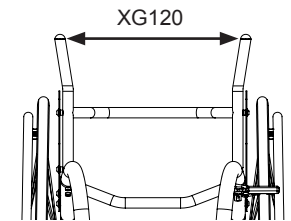
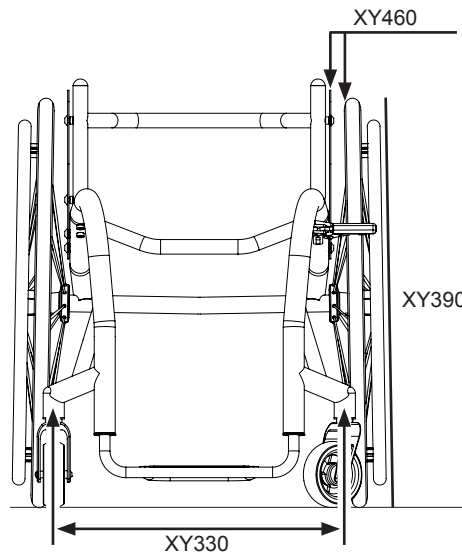
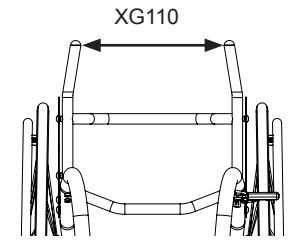
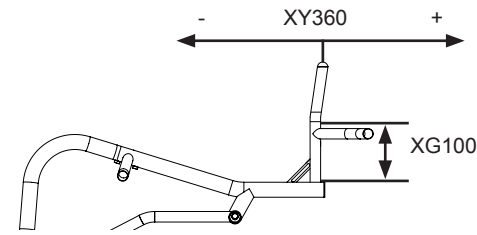
Current Chair:	0°	New Chair:	XY396	0°
	1°		XY397	1°
	2°		XY398	2°
	3°		XY399	3°
	5°		XY400	5°

XH165 Center of Gravity Measured from front of back post at the seat tube to the centerline of the rear axle.

Current Chair: New Chair:

XY460 Rear Wheel Gap Measured from outer most point of chair (seat back post, side guard or armrest) to inside of rear tire.

Current Chair: .6"(15) New Chair: XY464 .6"(15)



.78"(20)	XY465	.78"(20)
1"(25)	XY466	1"(25)

XY069 Overall Footprint Measured from the most rearward point of the chair to the most forward point of the chair.

Current Chair:	<input type="text"/>	<input type="text"/>	New Chair:	<input type="text"/>	<input type="text"/>
----------------	----------------------	----------------------	------------	----------------------	----------------------

XY071 Wheelbase Measured from the vertical centerline of the front wheel to the centerline of the rear wheel.

Current Chair:	<input type="text"/>	<input type="text"/>	New Chair:	<input type="text"/>	<input type="text"/>
----------------	----------------------	----------------------	------------	----------------------	----------------------

Rear Wheel Size

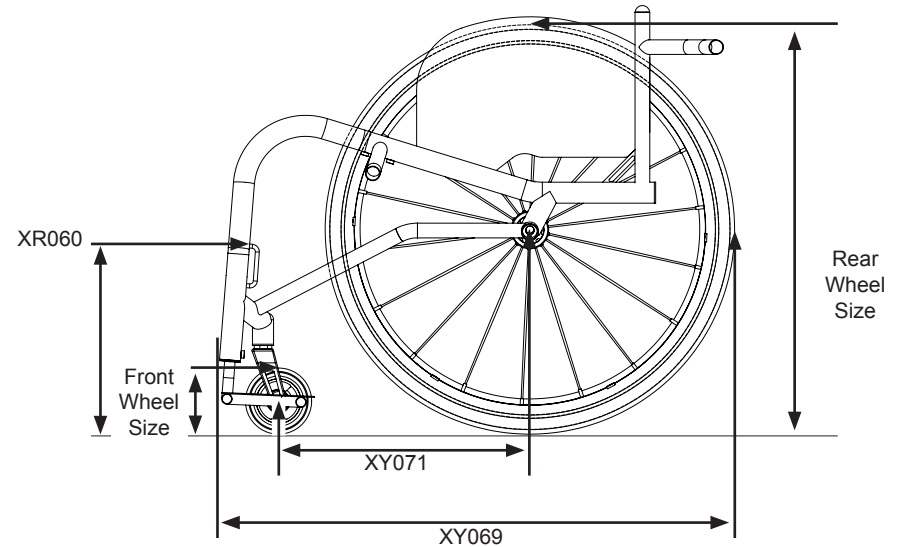
Current Chair:	24"(540)	New Chair:	XY420	24" (540)
	25"(559)		XY430	25" (559)

Front Wheel Size

Current Chair:	4" (100)	New Chair:	4" (100)
	5" (127)		5" (127)
	6" (152)		6" (152)

XR060 Welded Calf Strap Mounting Loops Measured from the ground to the top of where the calf strap is required. XR061 RGK to Optimize: \$152

Current Chair:	<input type="text"/>	<input type="text"/>	New Chair:	<input type="text"/>	<input type="text"/>
----------------	----------------------	----------------------	------------	----------------------	----------------------



Footrest Design

XY100	Round Design	STD
XY105	Square Design	NC

Footrest Styles

XB020	Tubular Titanium Footrest	STD
XB070	Angle adjustable aluminum footrest	\$204
OCTXB080	Tubular footrest welded into frame (No height adjustment)	\$453
XB030	Flip up plastic footrest (Dual-tube frame design only)	\$347
XB150	Heavy duty tubular footrest	\$177

Footrest Cover

XB050	Lightweight 3k Carbon Fiber Footrest cover	\$244
XB155	Lightweight Spinergy CX6 Cast Carbon Fiber Footrest cover	\$241
XB040	Plastic Cover (Not available with XB070 & XB030)	\$97
XB170	Aluminum cover (Not available with XB070 & XB030)	\$97
XB165	Rubber grip tape (3M Safety walk. Not available with XB030)	\$85

Front Wheels

XC060	Aluminum Center 4"x1.3" (Black Hub only)	STD
XC110	Aluminum Center 4"x1" (Silver hub only)	\$229
XC135	Aluminum Center 4"x1.25"	\$229
	XC1131 Sliver hub & black tire	
	XC1132 Black hub & black tire	
	XC1133 Purple hub & black tire	
	XC1134 Green hub & black tire	
	XC1135 Red hub & black tire	
	XC1136 Blue hub & black tire	
XC155	4" x 1.25" Spinergy CX6 Cast Carbon fiber front wheel	\$232
XC070	Soft roll 5"x1.3"	NC
XC100	Pneumatic Aluminum Center 5"x1"	\$244
XC120	Aluminum Center 5"x1"	\$229
XC140	Aluminum Center 5"x1.4" (Sliver hub & black tire)	\$229
XC145	Aluminum Center 6"x1.4" (Sliver hub & black tire)	\$229
XC150	Plastic Center 6"x1.4"soft roll (Black hub & grey tire)	\$229

Forks

XC192	Anti-Flutter castor fork	NC
XC210	Froglegs suspension castor fork	\$624
	XC211 Black fork	STD
	XC212 Silver fork	NC

Wheel Lock

XD020	Underseat Scissor	NC
XD030	Compact Scissor	\$262
XD035	Compact Scissor with Direct Mount	\$347
XD050	Push To Lock	NC
XD085	Eagle (Indicate color)	\$395
XD086	Eagle with Direct Mount (Indicate color)	\$461
	XD088 Black XD089 Purple XD090 Red XD091 Blue	
XD010	Omit Wheel Lock	NC

Side Guards

XE030	Screw on aluminum	\$322
XE080	Lift out aluminum	\$524
XE180	Flip back aluminum	\$387
OCTXE130	Fold flat aluminum	\$660
XE275	Screw on Spinergy CX6 Cast Carbon fiber	\$718
XE100	Lift Out 3k Carbon fiber	\$755
XE106	Lift Out Spinergy CX6 Cast Carbon fiber	\$1,000
OCTXE150	Fold flat 3k carbon fiber	\$1,036
XE155	Fold flat Spinergy CX6 Cast Carbon fiber	\$1,036
OCTXE220	Welded titanium with 6mm bead	\$683

XE070	Screw on ABS plastic		\$165
XE120	Lift out ABS plastic		\$480
OCTXE170	Fold flat ABS plastic		\$818
XEM05	25mm above tire (Follow tire)		NC
XEM06	Individual above tire (Follow tire - max. 25mm)		NC
XEM02	Level with tire		STD
XEM07	Side guard length		STD
XEM08	Side guard height		STD
XE040	Screw on aluminum with fender		\$275
XE090	Lift out aluminum with fender		\$570
XE190	Flip back aluminum with fender		\$329
OCTXE140	Fold flat aluminum with fender		\$697
XE060	Screw on 3k carbon fiber with fender		\$938
XE110	Lift out 3k carbon fiber with fender		\$1,115
OCTXE160	Fold flat 3k carbon fiber with fender		\$1,230
XEM03	10mm above tire		NC
XEM01	Individual above tire (Follow tire - max. 25mm)		NC
XEM09	Center of tire		STD
XEM10	Outside of tire		NC
Armrest			
XF010	Lift out armrest with plastic sideguard	Height (Top of seatrail to top of armrest)	\$583
XF020	Lift out armrest with aluminum sideguard	Height (Top of seatrail to top of armrest)	\$460
Backrest Height			
XY230	Fixed height		STD
XY245	Adjustable height (Range: +/- 25mm)		\$244
Backrest Design			
XG010	Fixed backrest (non-folding)		STD
OCTXG020	Folding backrest with 2 position snap lock and angle adjustable (Range: +/- 5°)		\$682
Push Handles			
XG070	Screw in push handles (Not available with XY245)		\$222
XG080	Flip down push handles (Not available with XY245)		\$434
XG085	Flip down push handles height adjustable (Not available with XY245)		\$709
XG090	Stroller push handles height adjustable (Measure height from floor to the top of the push handle)		\$434
XG097	Integrated push handles	XG098 RGK to Optimize:	\$666
Backrest Options			
XG040	Heavy duty backrest upgrade (Not available with XY245)		\$204
XG130	Extra deep brace/rigidizer bar (Recommended for JAY backs)		\$113

Center of Gravity

XH110	Square back adjustable of gravity (Range: 25mm - 150mm)	STD
XH120	Round back adjustable of gravity (Range: 60mm - 150mm)	NC
OCTXH100	Single post fixed center of gravity (Range: 25mm - 150mm)	\$716
OCTXH090	V-Style fixed center of gravity (Range: 25mm - 150mm)	\$716

Axle Pin Options

OCTXK227	Standard axle pin	STD
XK220	Titanium 130mm quick release axle pin	\$158
XK240	Quad release axle pin	\$237

Anti-Tip

XJ010	Swing-away anti tip LEFT side (Only available with square back adjustable center of gravity. Not available with XH140)	\$165
XJ020	Swing-away anti tip RIGHT side (Only available with square back adjustable center of gravity. Not available with XH140)	\$165
XJ100	Single sport anti-tip (Centered mounted)	\$497

Frame and Footrest Finishes

XN010	Powder coat frame	STD	
XN150	Powder coat components (Frame color is STD if not specified)	STD	
Frame	Components		
XN400	XN408 Black gloss	XN420	XN427 Chalk gloss
XN401	XN409 Matte black	XN421	XN428 Artic gray gloss
XN402	XN410 Satin blue gloss	XN422	XN429 Matte gray
XN403	XN415 Matte electric blue	XN423	XN430 Cosmos orange gloss
XN404	XN416 Deep blue gloss	XN424	XN431 Sao Paulo yellow gloss
XN405	XN417 Red gloss	XN425	XN432 Matte white
XN406	XN418 Black cherry gloss	XN426	XN433 Matte purple
XN407	XN419 Tuscadero pink gloss		
	Custom painted finishes		
XN200	Frame RAL Code \$557	XN201	Components RAL Code \$313
	Non painted finishes		
OCTXN030	Bead blast frame (All parts black unless XN160 chosen)		\$557
OCTXN050	Polished frame (All parts black unless XN160 chosen)		\$1,312
XN165	Bead blast Components		\$246
XN170	Polished Components		\$210

Accent Color

XN251	Black	STD
XN253	Red	NC
XN255	Purple	NC
XN252	Silver	NC
XN254	Blue	NC
XN250	Individual Accent Color	\$313

Seat Upholstery

XP040	Seat Sling Adjustable Strap	STD
XR050	Carbon Fiber Seat Plate	\$473

Back Upholstery

XP035	Sub4 Airtech Adjustable Strap	STD
XP050	Airtech Adjustable Strap	NC
XP070	Backrest upgrade to leather corners (Only with Airtech upholstery XP050)	\$119
XP110	Backrest zip pocket (Only with Airtech upholstery XP050)	\$125
XP170	Individual backrest embroidery (Please complete page 10. Only available with Airtech Adjustable Strap upholstery XP050)	\$236
	Upholstery Stitching Color	
XP550	Black	STD
XP551	Silver	NC
XP552	Red	NC
XP553	Orange	NC
XP554	Blue	NC
XP555	Purple	NC
XP556	Individual Pantone color number	NC
	RGK Backrest Logo Color	
XP557	White (Standard if nothing selected)	STD
XP558	Red	STD
XP559	Black	NC
XP560	Blue	NC
XP561	Purple	NC
XP562	Individual Pantone color number	NC

Rear Wheel Type

XK015	Proton (Not available with Spinergy anodized color options.)	STD
XK320	Spinergy XLX (12 spoke, cross radial spokes.)	\$1,051
XK050	Spinergy LX (12 spoke)	\$985
XK060	Spinergy Spox (18 spoke. Not available with Spinergy anodized color options or spoke colors, purple, orange, pink and green.)	\$655
XK070	Spinergy BLXL (18 bladed spoke.)	\$1,051
XK150	Spinergy CLX (18 bladed spokes, carbon fiber rim. Spinergy color option available on hub only. Not available with silver hub)	\$3,093
XK155	RGK EXCLUSIVE Spinergy CX6 Cast Carbon fiber (Cast Carbon Fiber Hub, Matte Black Carbon Fiber Rim and Black Bladed Spokes with 2 White Bladed Spokes Around Valve Stem. Not available with Spinergy anodized color options.)	\$3,539
	Spinergy spoke colors	
XK650	Black	STD
XK651	Red	NC
XK652	Purple	NC
XK653	White	NC
XK654	Blue	NC
XK655	Orange	NC
XK656	Yellow	NC
XK657	Pink	NC
XK658	Green	NC
XK180	Individual spoke design	\$210

	Spinergy anodized colors (Rims and Hubs are anodized not spokes, on Spinergy BLXL (XK075), Hubs only on SBTXK150)			
XK190	Black			STD
XK202	Purple			\$403
XK203	Blue			\$403
XK201	Red			\$403
XK204	Gold			\$403
XK205	Individual hub/rims			\$560

Supply Without Rear Wheels

XK040	Omit Rear Wheels			NC
	XK041 Wheel Type:		XK042 Tire Type:	

Handrims Style

XY485	Tab Length Wide			STD
XY480	Tab Length Narrow			NC
	XL090	Remove excess mounting tabs (Recommended for small wheel gaps)		\$144
XL010	Aluminum Hard Anodized 6 Tab			STD
XL160	Elipse Ergonomic 6 Tab			\$622
XL020	Tetra Grip 6 Tab			\$394
XL100	Para-Grip 6 Tab			\$394
XL040	Titanium 6 Tab			\$439
XL035	Natural-Fit LT			\$732
XL150	Carbolife Gekko			\$1,385
XL170	Carbolife Curve L			\$1,372

Tires

XM060	Schwalbe One (Lightest option)				\$131
XM155	MBL Speedlite				STD
XM150	IRC EXERACER				\$185
XM010	Kenda	XM011 Grey	XM012 Blue	XM013 Red	STD
XM020	Schwalbe Marathon Plus				\$97
XM040	Shox Solid Tire				\$158
XM050	Kenda K885 Mountain Bike Tire				\$39

Inner Tubes

XY500	Schraeder Valve Inner Tube			STD
XY490	Presta Valve Inner Tube			NC

Cushions

XP080	Cushion foam				\$119
	Density	XP001 Soft	XP002 Medium		
	Thickness	XP003 50mm	XP004 75mm	XP005 100mm	

Cushion Covers

XP085	Nylon Cushion Cover (Black)	STD
XP090	Airlite Cushion Cover (Black)	\$97
XP100	Leather Cushion Cover (Black)	\$250

Jay Products - Please Include Jay Order Form

XP900	Jay Cushion	Refer to Jay Order Form
XP910	Jay Backrest	Refer to Jay Order Form
XP920	Whitmyer Headrest	Refer to Whitmyer Order Form

Accessories

XR080	Frontwheel Assembly (Only with XB010, TGAXB080, XB150)	\$1,037
XP120	Zip Black Frame Protectors Neoprene Fasten (Black)	\$83
XP420	Velcro Black Frame Protectors Nylon Fasten (Black)	\$80
XR010	Black Seat Pouch Velcro Attach (Black)	\$58
XR200	Black Rucksack with RGK Logo (Black)	\$149
XR090	Tool Kit	STD
XS060	Calf Strap	STD

Ordering Information

Estimated MSRP*

Quote

Order

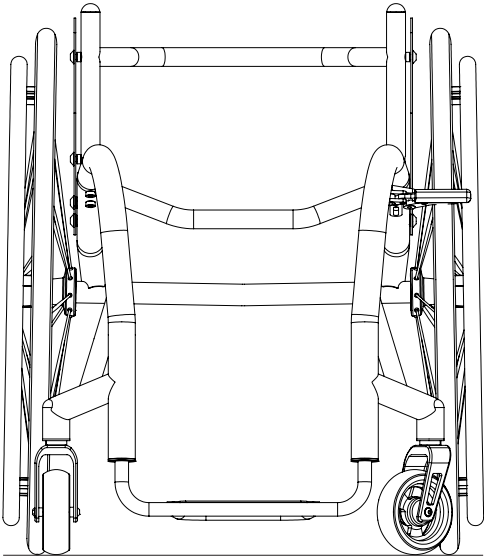
(*Price does not include any one off requested options)

General Information

Serial No: _____

Production Date: _____

Specification Notes



Individual Back Upholstery Embroidery Area

