

# Design Template OCTANE



## Rider Information

**Name:** \_\_\_\_\_

**Phone:** \_\_\_\_\_

**Email:** \_\_\_\_\_

**Height:** \_\_\_\_\_ **Weight:** \_\_\_\_\_

**Current Chair:** \_\_\_\_\_ **Current Cushion:** \_\_\_\_\_

**Ability/Diagnosis:** \_\_\_\_\_

### RGK Contact Authorization:

RGK would like to send you exclusive information, news and promotional offers on RGK.

I would like to be contacted by RGK:

**Signature:** \_\_\_\_\_ **Date:** \_\_\_\_\_

\*We do not pass your personal information onto any third party.

## Account Information

**Account Name :** \_\_\_\_\_

**Account #:** \_\_\_\_\_ **PO#:** \_\_\_\_\_

**Contact Name :** \_\_\_\_\_

**Phone:** \_\_\_\_\_

**Email:** \_\_\_\_\_

**Ship to:** **Account** **Rider**

**Name:** \_\_\_\_\_

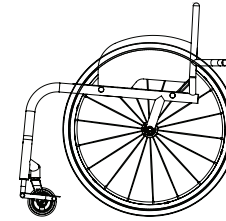
**Address:** \_\_\_\_\_

\_\_\_\_\_

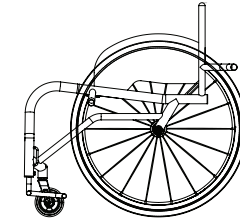
**RGK Genius:** \_\_\_\_\_

## Frame Styles

OCTXZ010	<b>Octane</b> (Max User Weight 110kg/242lbs.)	
XA070	<b>Open design</b>	
XA080	<b>Dual-Tube design/Closed frame design</b>	
XW009	<b>Quote Only</b> (No CAD for Approval)	
XW011	<b>Order Only</b> (No CAD for Approval)	
XW012	<b>Quote CAD drawing for approval</b>	
XW010	<b>Order CAD drawing for approval</b> (1st CAD is NCO)	
	CAD approved by: Customer RGK Genius	



Open Design



Dual-Tube Design

\$8,500
STD
NCO
STD
STD
\$550
\$300

## Measurements

**Please Note:** All RGK chairs are hand built and have a manufacturing tolerance of +/- 5mm (.25). All measurements can be done in 5mm (.25") increments.

**Please select either Millimeters or Inches.**

Measurements:  Millimeters (mm.)  Inches (in.)

**XY010 Rear Seat Width** Measured from inside of side guard to inside of opposite side guard. Or outside seat tube to outside of opposite seat tube near backrest. (Min. 250mm/9.84" and Max. 500mm/19.69")

Current Chair:  mm.  in.      New Chair:  mm.  in.

**XY020 Seat Depth/Seat Length** Measured from front of back post to the front edge of seat sling. Frame bend will start .5" in front of seat sling unless Extra Frame Length requested. (Min. 250mm/9.84" and Max. 500mm/19.69")

Current Chair:  mm.  in.      New Chair:  mm.  in.

**XY030 Extra Frame Length** Measured from front edge of seat sling to beginning of Front frame bend. (Seat length + Extra seat length)

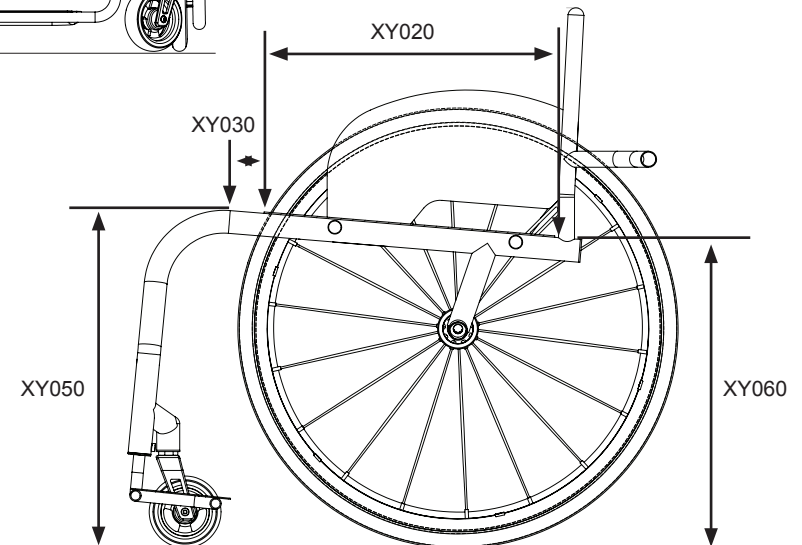
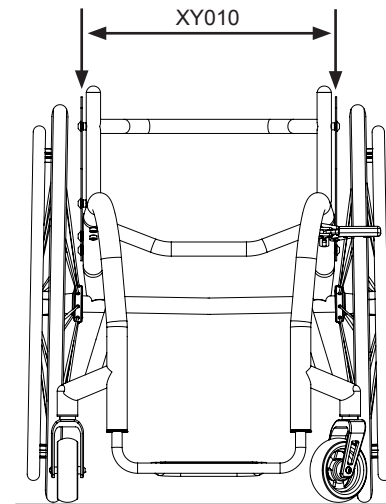
Current Chair:  mm.  in.      New Chair:  mm.  in.

**XY050 Front Frame Height** Measured from floor to apex of seat tube. (Min. 380mm/14.96" and Max. 550mm/21.65")

Current Chair:  mm.  in.      New Chair:  mm.  in.

**XY060 Rear Frame Height** Measured from floor to top of seat tube at back edge of seat sling. (Min. 360mm/14.17" and Max. 550mm/21.65")

Current Chair:  mm.  in.      New Chair:  mm.  in.



# Design Template

**XY070 Occupied Frame Length/Frame Length** Measured from the front of the backrest tube to the front edge of the footrest. (Min. 390mm/15.35" and Max. 750mm/29.53")

Current Chair:        New Chair:

**XY072 Caster Stem Position** Measured from the front edge of the footrest to the centerline of the caster barrel. XY073 RGK to Optimize.

Current Chair:        New Chair:

**XA020 Ergonomic Seat** Measured from front of back post to beginning of upward bend of seat tube. \$119

Current Chair:        New Chair:

**XY080 Front Seat Taper/Seat Taper Design** Measured from inside of front frame tube at the front frame bend to inside of opposite front frame tube at the front frame bend.

Current Chair:        New Chair:

**XY091 Footrest Width/Parallel Taper** Measured from inside of front frame tube at footrest adjustment to inside of opposite front frame tube at footrest adjustment. (Tip: when ordered together XY091 is usually 20mm (1") less than XY080).

Current Chair:        New Chair:

**XY115 Front Footrest Height** Measured from ground up to the top of the Front footrest tube or cover.

Current Chair:        New Chair:

**XY120 Rear Footrest Height** Measured from ground up to the top of the Rear footrest tube or cover. Standard is 20mm less than Front Footrest Height.

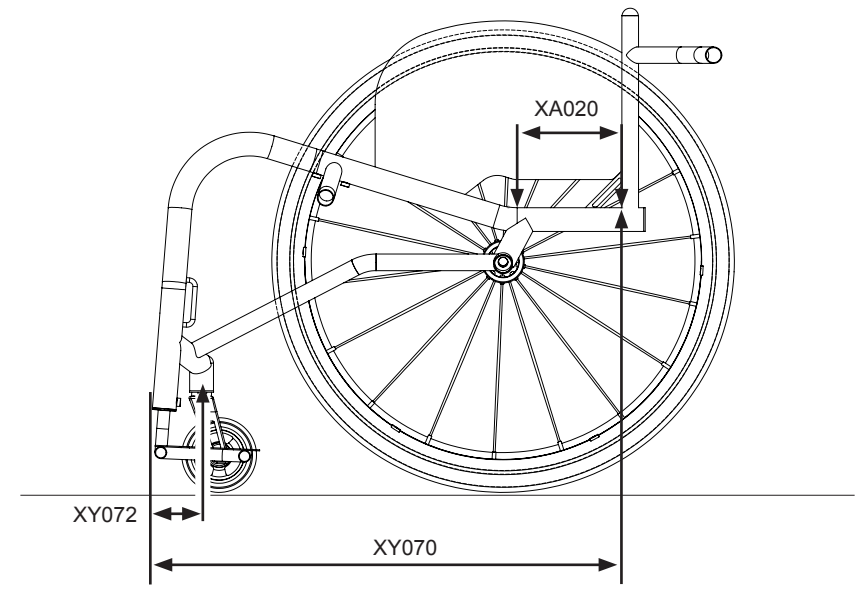
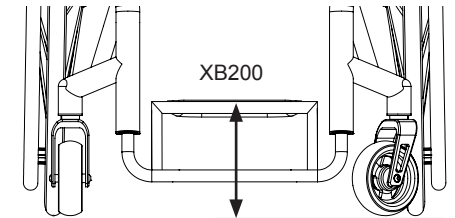
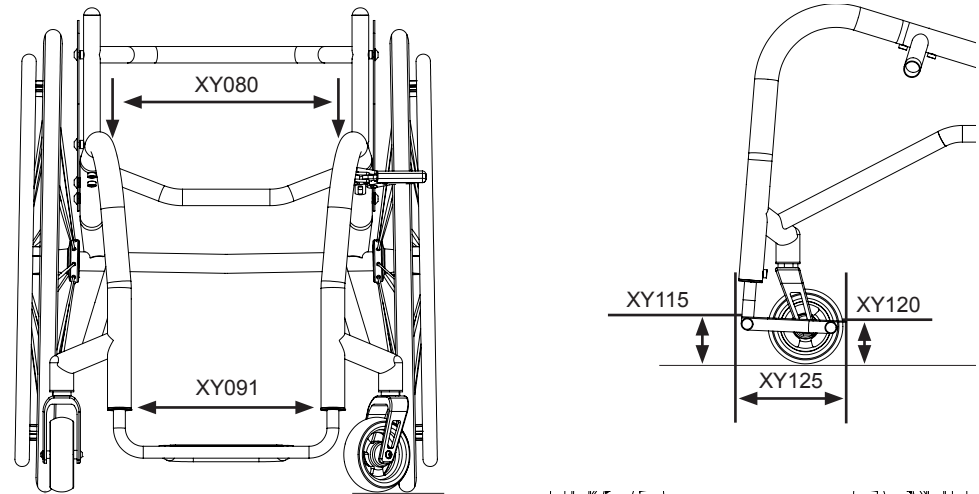
Current Chair:        New Chair:

**XY125 Footrest Length** Measured from front edge of footrest to back edge of footrest. (Max: 140mm for certified weight)

Current Chair:        New Chair:

**XB200 High Mount Footrest/High Level Footrest** Measured from ground up to the top of the Front footrest tube or cover. \$198

Current Chair:        New Chair:



# Design Template

**XY330 Stem Bolt/Caster Pin Width** Measured from centerline of caster pin to the centerline of the opposite caster pin. XY331 RGK to Optimize:

Current Chair:   New Chair:

**XY231 Backrest Height** Measured from top of seat tube at rear of frame to top of back-post.

Current Chair:   New Chair:

**XY360 Backrest Angle** Measured as the angle from top front of the backrest tube to the floor. (Max. -10° to +10°) -5° -3° 0° 3° 5°

Current Chair:  New Chair:

**XG110 Inward Taper** Measured from inside backrest tube to inside of opposite backrest tube at the top of the backrest. \$144

Current Chair:   New Chair:

**XG100 Ergonomic Backrest** Measured from top of seat tube at rear of frame to the start of the rearward bend of back-post. \$144

Current Chair:   New Chair:

**XG120 Outward Flare** Measured from inside backrest tube to inside of opposite backrest tube at the top of the backrest. \$144

Current Chair:   New Chair:

**XY390 Camber Angle** Place a straight edge across the outside of rear wheel and use an angle finder to show the degree of camber.

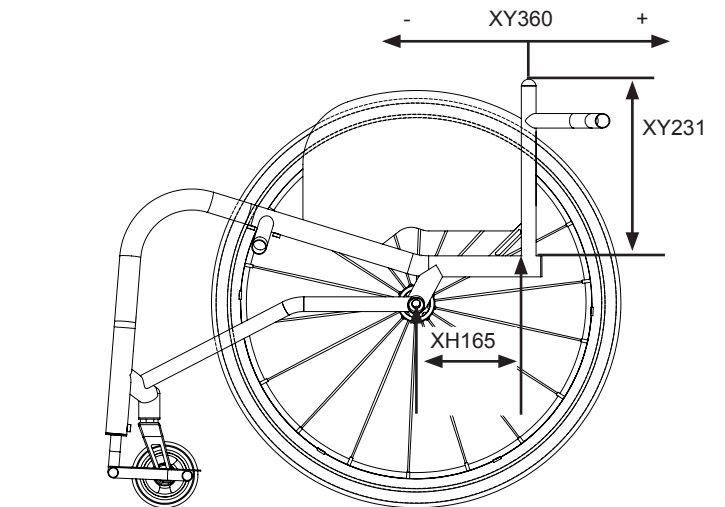
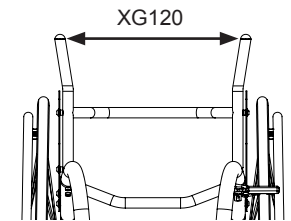
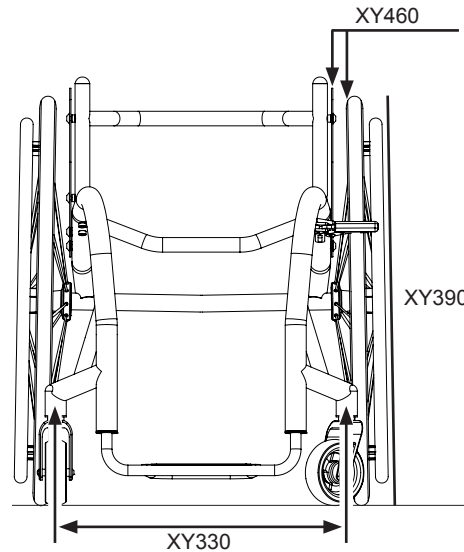
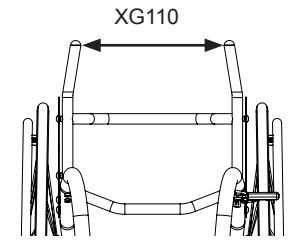
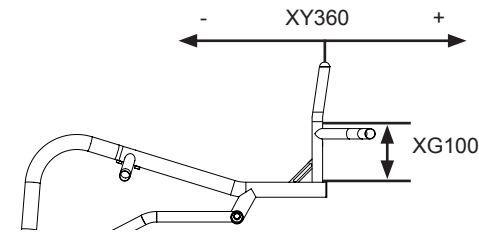
Current Chair:	0°	New Chair:	XY396	0°
	1°		XY397	1°
	2°		XY398	2°
	3°		XY399	3°
	5°		XY400	5°

**XH165 Center of Gravity** Measured from front of back post at the seat tube to the centerline of the rear axle.

Current Chair:   New Chair:

**XY460 Rear Wheel Gap** Measured from outer most point of chair (seat back post, side guard or armrest) to inside of rear tire.

Current Chair: .6"(15) New Chair: XY464 .6"(15)



.78"(20) XY465 .78"(20)  
 1"(25) XY466 1"(25)

**XY069 Overall Footprint** Measured from the most rearward point of the chair to the most forward point of the chair.

Current Chair:        New Chair:

**XY071 Wheelbase** Measured from the vertical centerline of the front wheel to the centerline of the rear wheel.

Current Chair:        New Chair:

**Rear Wheel Size**

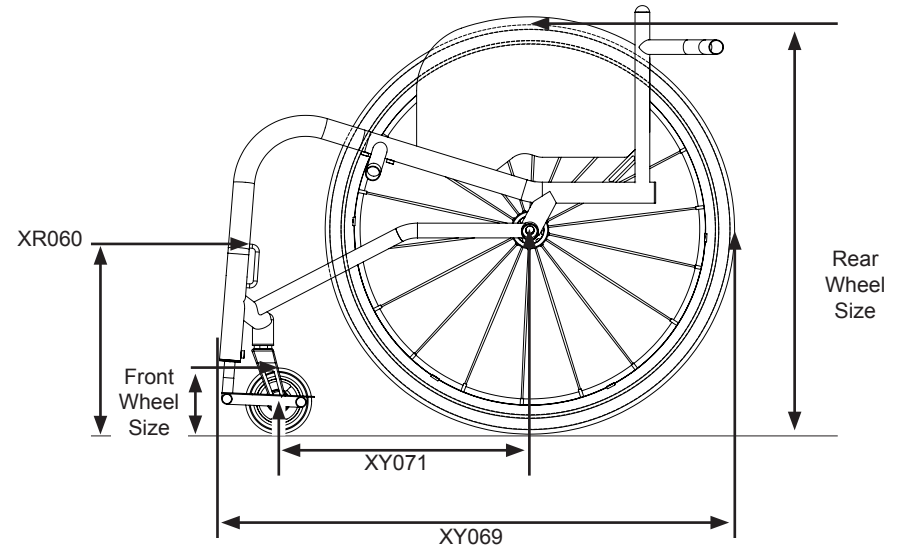
Current Chair:      24"(540)      New Chair:      XY420      24" (540)  
                          25"(559)      XY430      25" (559)

**Front Wheel Size**

Current Chair:      4" (100)      New Chair:      4" (100)  
                          5" (127)      5" (127)  
                          6" (152)      6" (152)

**XR060 Welded Calf Strap Mounting Loops** Measured from the ground to the top of where the calf strap is required.      XR061 RGK to Optimize:      \$152

Current Chair:        New Chair:



## Footrest Design

XY100	<b>Round Design</b>	STD
XY105	<b>Square Design</b>	NCO

## Footrest Styles

XB020	<b>Tubular Titanium Footrest</b>	STD
XB070	<b>Angle adjustable aluminum footrest</b>	\$204
OCTXB080	<b>Tubular footrest welded into frame</b> (No height adjustment)	\$453
XB030	<b>Flip up plastic footrest</b> (Dual-tube frame design only)	\$347
XB150	<b>Heavy duty tubular footrest</b>	\$177

## Footrest Cover

XB050	<b>Lightweight 3k Carbon Fiber Footrest cover</b>	\$244
XB155	<b>Lightweight Spinergy CX6 Cast Carbon Fiber Footrest cover</b>	\$241
XB040	<b>Plastic Cover</b> (Not available with XB070 & XB030)	\$97
XB170	<b>Aluminum cover</b> (Not available with XB070 & XB030)	\$97
XB165	<b>Rubber grip tape</b> (3M Safety walk. Not available with XB030)	\$85

Front Wheels

XC060	<b>Aluminum Center 4"x1.3" (Black Hub only)</b>	STD
XC110	<b>Aluminum Center 4"x1" (Silver hub only)</b>	\$229
XC135	<b>Aluminum Center 4"x1.25"</b>	\$229
	XC1131 Sliver hub & black tire	
	XC1132 Black hub & black tire	
	XC1133 Purple hub & black tire	
	XC1134 Green hub & black tire	
	XC1135 Red hub & black tire	
	XC1136 Blue hub & black tire	
XC155	<b>4" x 1.25" Spinergy CX6 Cast Carbon fiber front wheel</b>	\$232
XC070	<b>Soft roll 5"x1.3"</b>	NCO
XC100	<b>Pneumatic Aluminum Center 5"x1"</b>	\$244
XC120	<b>Aluminum Center 5"x1"</b>	\$229
XC140	<b>Aluminum Center 5"x1.4"</b> (Sliver hub & black tire)	\$229
XC145	<b>Aluminum Center 6"x1.4"</b> (Sliver hub & black tire)	\$229
XC150	<b>Plastic Center 6"x1.4"soft roll</b> (Black hub & grey tire)	\$229

Forks

XC192	<b>High Trail fork</b>	NCO
XC210	<b>Froglegs suspension fork</b>	\$624
	XC211 Black fork	STD
	XC212 Silver fork	NCO

Wheel Lock

XD020	<b>Underseat Scissor</b>	NCO
XD030	<b>Compact Scissor</b>	\$262
XD035	<b>Compact Scissor with Direct Mount</b>	\$347
XD050	<b>Push To Lock</b>	NCO
XD085	<b>Eagle</b> (Indicate color)	\$461
XD086	<b>Eagle with Direct Mount</b> (Indicate color)	\$500
	XD088 Black                      XD089 Purple                      XD090 Red                      XD091 Blue	
XD010	<b>Omit Wheel Lock</b>	NCO

Side Guards

XE030	<b>Screw on aluminum</b>	\$322
XE080	<b>Lift out aluminum</b>	\$524
XE180	<b>Flip back aluminum</b>	\$387
OCTXE130	<b>Fold flat aluminum</b>	\$660
XE275	<b>Screw on Spinergy CX6 Cast Carbon fiber</b>	\$718
XE100	<b>Lift Out 3k Carbon fiber</b>	\$1,000
XE106	<b>Lift Out Spinergy CX6 Cast Carbon fiber</b>	\$1,000
OCTXE150	<b>Fold flat 3k carbon fiber</b>	\$1,036
XE155	<b>Fold flat Spinergy CX6 Cast Carbon fiber</b>	\$1,036
OCTXE220	<b>Welded titanium with 6mm bead</b>	\$683

XE070	<b>Screw on ABS plastic</b>		\$165
XE120	<b>Lift out ABS plastic</b>		\$480
OCTXE170	<b>Fold flat ABS plastic</b>		\$818
	XEM05	25mm above tire (Follow tire)	NCO
	XEM06	Individual above tire (Follow tire - max. 25mm)	NCO
	XEM02	Level with tire	STD
	XEM07	Side guard length	STD
	XEM08	Side guard height	STD
XE040	<b>Screw on aluminum with fender</b>		\$275
XE090	<b>Lift out aluminum with fender</b>		\$570
XE190	<b>Flip back aluminum with fender</b>		\$329
OCTXE140	<b>Fold flat aluminum with fender</b>		\$697
XE060	<b>Screw on 3k carbon fiber with fender</b>		\$938
XE110	<b>Lift out 3k carbon fiber with fender</b>		\$1,115
OCTXE160	<b>Fold flat 3k carbon fiber with fender</b>		\$1,230
	XEM03	10mm above tire	NCO
	XEM01	Individual above tire (Follow tire - max. 25mm)	NCO
	XEM09	Center of tire	STD
	XEM10	Outside of tire	NCO
<b>Armrest</b>			
XF010	<b>Lift out armrest with plastic sideguard</b>	<b>Height</b> (Top of seatrail to top of armrest)	\$583
XF020	<b>Lift out armrest with aluminum sideguard</b>	<b>Height</b> (Top of seatrail to top of armrest)	\$460
<b>Backrest Height</b>			
XY230	<b>Fixed height</b>		STD
XY245	<b>Adjustable height</b> (Range: +/- 25mm)		\$244
<b>Backrest Design</b>			
XG010	<b>Fixed backrest</b> (non-folding)		STD
OCTXG020	<b>Folding backrest with 2 position snap lock and angle adjustable</b> (Range: +/- 5°)		\$682
<b>Push Handles</b>			
XG070	<b>Screw in push handles</b> (Not available with XY245)		\$222
XG080	<b>Flip down push handles</b> (Not available with XY245)		\$434
XG085	<b>Flip down push handles height adjustable</b> (Not available with XY245)		\$709
XG090	<b>Stroller push handles height adjustable</b> (Measure height from floor to the top of the push handle)		\$434
	XG098	RGK to Optimize:	
XG097	<b>Integrated push handles</b>		\$666
<b>Backrest Options</b>			
XG040	<b>Heavy duty backrest upgrade</b> (Not available with XY245)		\$204
XG130	<b>Extra deep brace/rigidizer bar</b> (Recommended for JAY backs)		\$113

Center of Gravity

XH110	<b>Square back adjustable of gravity</b> (Range: 25mm - 150mm)	STD
XH120	<b>Round back adjustable of gravity</b> (Range: 60mm - 150mm)	NCO
OCTXH100	<b>Single post fixed center of gravity</b> (Range: 25mm - 150mm)	\$716
OCTXH090	<b>V-Style fixed center of gravity</b> (Range: 25mm - 150mm)	\$716

Axle Pin Options

OCTXK227	<b>Standard axle pin</b>	STD
XK220	<b>Titanium 130mm quick release axle pin</b>	\$158
XK240	<b>Quad release axle pin</b>	\$237

Anti-Tip

XJ010	<b>Swing-away anti tip LEFT side</b> (Only available with square back adjustable center of gravity. Not available with XH140)	\$165
XJ020	<b>Swing-away anti tip RIGHT side</b> (Only available with square back adjustable center of gravity. Not available with XH140)	\$165
XJ100	<b>Single sport anti-tip</b> (Centered mounted)	\$497

Frame and Footrest Finishes

XN010	<b>Powder coat frame</b>		STD
XN150	<b>Powder coat components</b> (Frame color is STD if not specified)		STD
<b>Frame</b>	<b>Components</b>	<b>Frame</b>	<b>Components</b>
XN400	XN408 Black gloss	XN420	XN427 Chalk gloss
XN401	XN409 Matte black	XN421	XN428 Artic gray gloss
XN402	XN410 Satin blue gloss	XN422	XN429 Matte gray
XN403	XN415 Matte electric blue	XN423	XN430 Cosmos orange gloss
XN404	XN416 Deep blue gloss	XN424	XN431 Sao Paulo yellow gloss
XN405	XN417 Red gloss	XN425	XN432 Matte white
XN406	XN418 Black cherry gloss	XN426	XN433 Matte purple
XN407	XN419 Tuscadero pink gloss		
	<b>Custom painted finishes</b>		
XN200	Frame RAL Code	\$313	XN201 Components RAL Code \$313
	<b>Non painted finishes</b>		
OCTXN030	Bead blast frame (All parts black unless XN160 chosen)		\$557
OCTXN050	Polished frame (All parts black unless XN160 chosen)		\$1,312
XN165	Bead blast Components		\$246
XN170	Polished Components		\$210

Accent Color

XN251	<b>Black</b>	STD
XN253	<b>Red</b>	NCO
XN255	<b>Purple</b>	NCO
XN252	<b>Silver</b>	NCO
XN254	<b>Blue</b>	NCO
XN250	<b>Individual Accent Color</b>	\$313



Seat Upholstery

XP040	<b>Seat Sling Adjustable Strap</b>	STD
XR050	<b>Carbon Fiber Seat Plate</b>	\$473

Back Upholstery

XP035	<b>Sub4 Airtech Adjustable Strap</b>	STD
XP050	<b>Airtech Adjustable Strap</b>	NCO
XP070	Backrest upgrade to leather corners (Only with Airtech upholstery XP050)	\$119
XP110	Backrest zip pocket (Only with Airtech upholstery XP050)	\$125
XP170	Individual backrest embroidery (Please complete page 10. Only available with Airtech Adjustable Strap upholstery XP050)	\$236
	<b>Upholstery Stitching Color</b>	
XP550	Black	STD
XP551	Silver	NCO
XP552	Red	NCO
XP553	Orange	NCO
XP554	Blue	NCO
XP555	Purple	NCO
XP556	Individual Pantone color number	NCO
	<b>RGK Backrest Logo Color</b>	
XP557	White (Standard if nothing selected)	STD
XP558	Red	STD
XP559	Black	NCO
XP560	Blue	NCO
XP561	Purple	NCO
XP562	Individual Pantone color number	NCO

Rear Wheel Type

XK015	<b>Proton</b> (Not available with Spinergy anodized color options.)	STD
XK320	<b>Spinergy XLX</b> (12 spoke, cross radial spokes.)	\$1,051
XK050	<b>Spinergy LX</b> (12 spoke)	\$985
XK060	<b>Spinergy Spox</b> (18 spoke. Not available with Spinergy anodized color options or spoke colors, purple, orange, pink and green.)	\$655
XK070	<b>Spinergy BLXL</b> (18 bladed spoke.)	\$1,051
XK150	<b>Spinergy CLX</b> (18 bladed spokes, carbon fiber rim. Spinergy color option available on hub only. Not available with silver hub)	\$3,093
XK155	<b>RGK EXCLUSIVE Spinergy CX6 Cast Carbon fiber</b> (Cast Carbon Fiber Hub, Matte Black Carbon Fiber Rim and Black Bladed Spokes with 2 White Bladed Spokes Around Valve Stem. Not available with Spinergy anodized color options.)	\$3,539
	<b>Spinergy spoke colors</b>	
XK650	Black	STD
XK651	Red	NCO
XK652	Purple	NCO
XK653	White	NCO
XK654	Blue	NCO
XK655	Orange	NCO
XK656	Yellow	NCO
XK657	Pink	NCO
XK658	Green	NCO
XK180	Individual spoke design	\$210

	<b>Spinergy anodized colors</b> (Rims and Hubs are anodized not spokes, on Spinergy BLXL (XK075), Hubs only on SBTXK150)			
XK190	Black			STD
XK202	Purple			\$403
XK203	Blue			\$403
XK201	Red			\$403
XK204	Gold			\$403
XK205	Individual hub/rims			\$560

**Supply Without Rear Wheels**

XK040	<b>Omit Rear Wheels</b>			NCO
	XK041 Wheel Type:		XK042 Tire Type:	

**Handrims Style**

XY485	<b>Tab Length Wide</b>			STD
XY480	<b>Tab Length Narrow</b>			NCO
	XL090	<b>Remove excess mounting tabs</b>	(Recommended for small wheel gaps)	\$144
XL010	<b>Aluminum Hard Anodized 6 Tab</b>			STD
XL160	<b>Elipse Ergonomic 6 Tab</b>			\$622
XL020	<b>Tetra Grip 6 Tab</b>			\$394
XL100	<b>Para-Grip 6 Tab</b>			\$394
XL040	<b>Titanium 6 Tab</b>			\$439
XL035	<b>Natural-Fit LT</b>			\$732
XL150	<b>Carbolife Gekko</b>			\$1,385
XL170	<b>Carbolife Curve L</b>			\$1,372

**Tires**

XM060	<b>Schwalbe One</b>	(Lightest option)			\$131
XM155	<b>MBL Speedlite</b>				STD
XM150	<b>IRC EXERACER</b>				\$185
XM010	<b>Kenda</b>	XM011 Grey	XM012 Blue	XM013 Red	STD
XM020	<b>Schwalbe Marathon Plus</b>				\$97
XM040	<b>Shox Solid Tire</b>				\$158
XM050	<b>Kenda K885 Mountain Bike Tire</b>				\$39

**Inner Tubes**

XY500	<b>Schraeder Valve Inner Tube</b>			STD
XY490	<b>Presta Valve Inner Tube</b>			NCO

**Cushions**

XP080	<b>Cushion foam</b>				\$119
	Density	XP001 Soft	XP002 Medium		
	Thickness	XP003 50mm	XP004 75mm	XP005 100mm	

Cushion Covers

XP085	<b>Nylon Cushion Cover</b> (Black)	STD
XP090	<b>Airlite Cushion Cover</b> (Black)	\$97
XP100	<b>Leather Cushion Cover</b> (Black)	\$250

Jay Products - Please Include Jay Order Form

XP900	<b>Jay Cushion</b>	Refer to Jay Order Form
XP910	<b>Jay Backrest</b>	Refer to Jay Order Form
XP920	<b>Jay Whitmyer Headrest</b>	Refer to Jay Order Form

Accessories

XR080	<b>Frontwheel Assembly</b> (Only with XB010, TGAXB080, XB150)	\$1,037
XP120	<b>Zip Black Frame Protectors Neoprene Fasten</b> (Black)	\$83
XP420	<b>Velcro Black Frame Protectors Nylon Fasten</b> (Black)	\$80
XR010	<b>Black Seat Pouch Velcro Attach</b> (Black)	\$58
XR200	<b>Black Rucksack with RGK Logo</b> (Black)	\$149
XR090	<b>Tool Kit</b>	STD
XS060	<b>Calf Strap</b>	STD

Ordering Information

**Estimated MSRP\***

**Quote**

**Order**

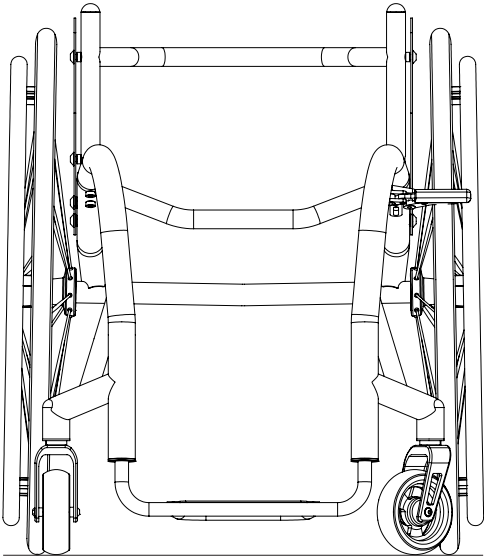
(\*Price does not include any one off requested options)

General Information

**Serial No:** \_\_\_\_\_

**Production Date:** \_\_\_\_\_

Specification Notes



Individual Back Upholstery Embroidery Area

