



Relax²

**Spare Parts
Catalogue**

 **Breezy**

**INNOVATE.
BUILD FOR THE FUTURE**

Spare Parts Catalogue



This product is manufactured to comply with the Medical Device Directive 93/42/EEC

Use of Illustrations & Text:

The illustrations and accompanying text set out in this document are the property of Sunrise Medical Canada Inc. and must not be copied or used for manufacturing, tendering or any other purpose without written consent from Sunrise Medical.

Ordering:

Item number shown as N/A are for reference purposes only and should not be used when ordering replacement parts. Always quote the correct serial number and part number.

Quality Management Systems:

Sunrise Medical Canada Inc. is accredited to ISO 9001: 2000, which is the internationally recognized standard for quality management systems, as well as ISO 13485: 2003, which specially governs Medical Devices. These approvals ensure that we provide quality in all areas of our business from development through to final delivery.

Parts Disclaimer:

It is potentially hazardous to fit or use any parts other than genuine Sunrise Medical parts. The company disclaims all liability for the consequences of such use, which in addition voids the product warranty.

This product is for the carriage of one person and must not under any circumstances be used for any other purpose.

Questions:

Should you have any questions then please contact Sunrise Medical Canada Inc. at:

Tel: 1-800-263-3390 or 905-660-2489

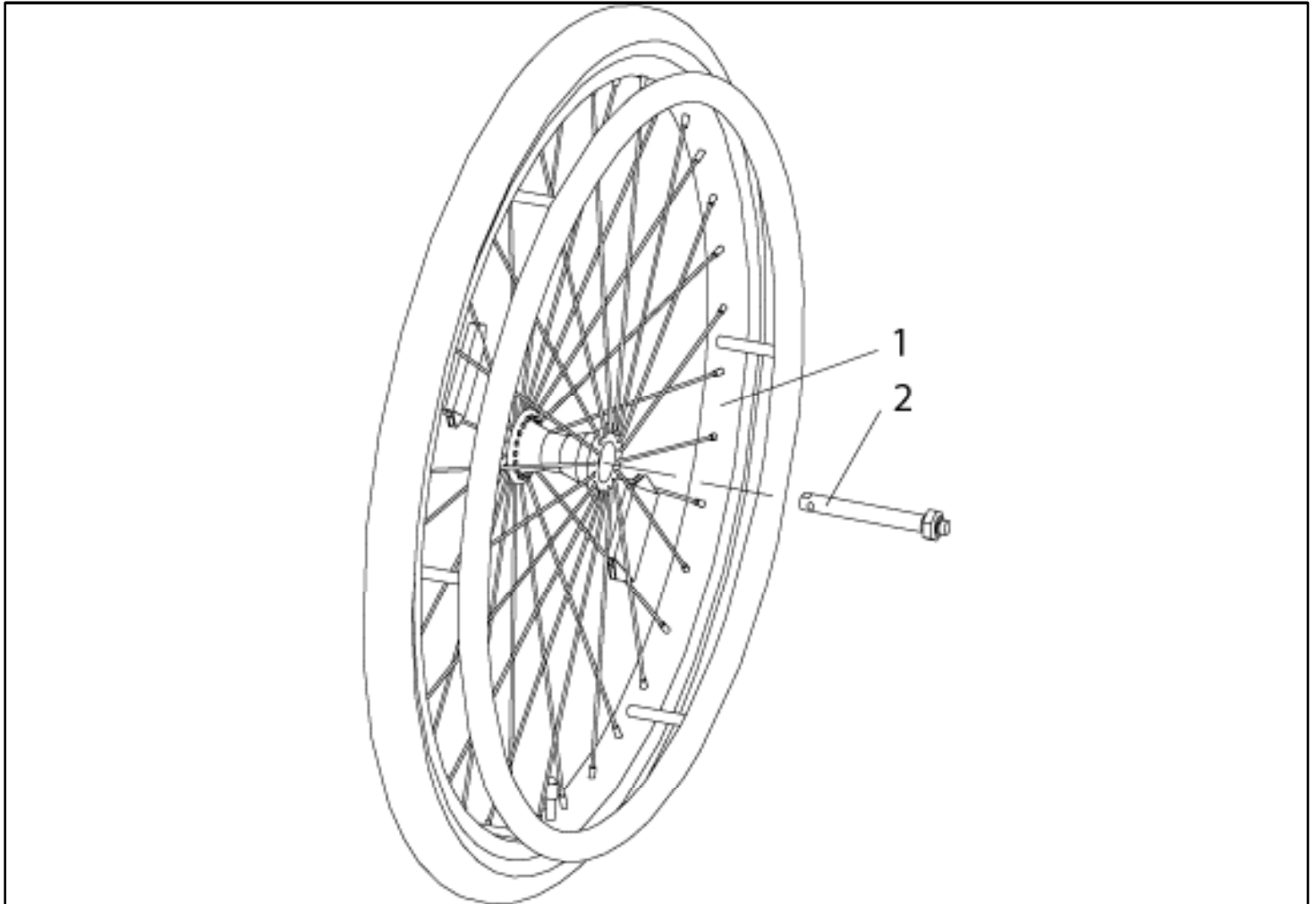
Fax: 1-800-561-5834 or 905-660-2460

Address

237 Romina Drive, Unit 3
Concord, Ontario L4K 4V3
Canada

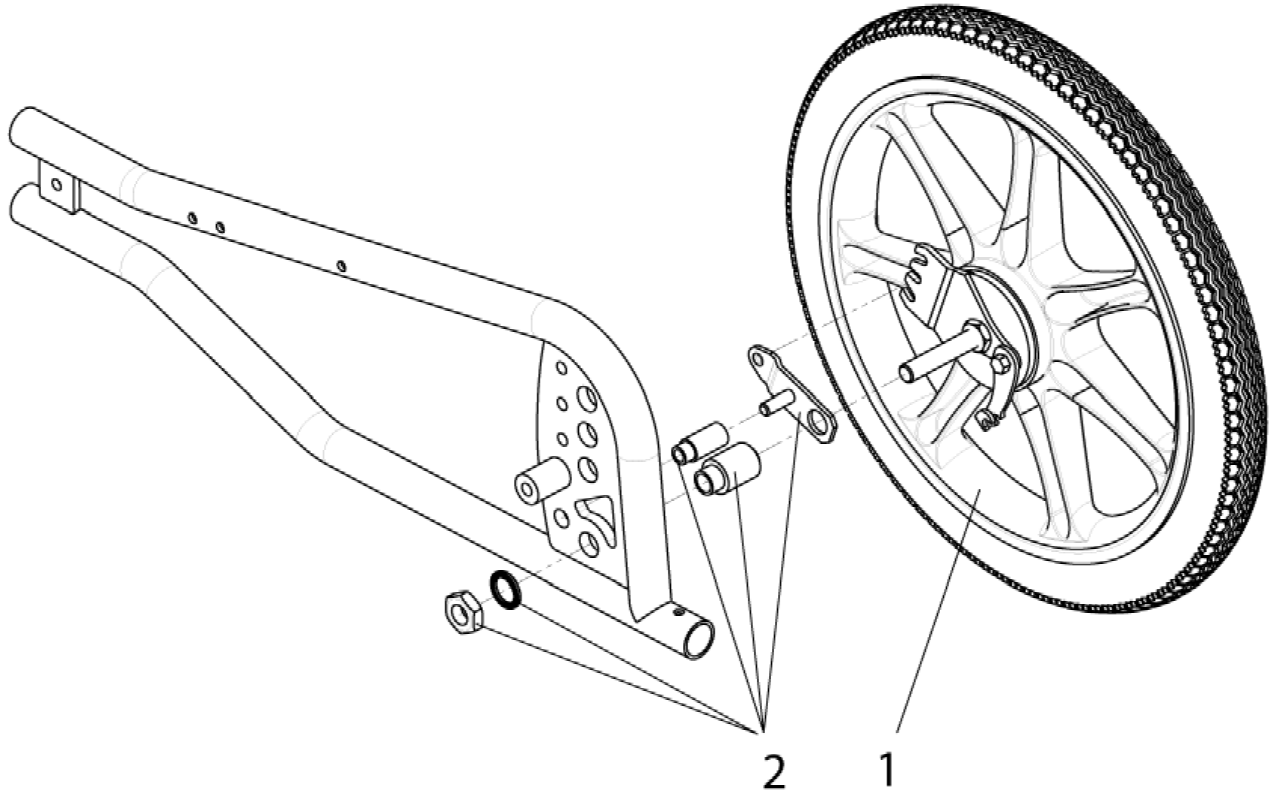
BREEZY RelaX 2	4
Rear wheels	4
22 / 24 " rear wheel with quick release axle	4
16 " rear wheel	5
Spoke guard	6
Axle sleeve	7
Drum brake	8
Brake	9
Knee lever brake	9
Drum brake	10
Lever for drum brake	11
Footrest	12
Elevating legrest (ELR)	12
Hanger	13
Plastic footplate	14
Stump pad	15
Castor	16
Castor	16
Castor fork	17
Backrest	18
Backrest cushion	18
Back shell	19
STD head rest	20
3 wing head rest	21
Hand grip used at the push handle	22
Gas Spring (Dampener)	23
Side guard	24
SPHA arm rest	24
Seat	26
Seat cushion with cover	26
Seat Plates	27
Gas Spring (Dampener)	28
Accessories	29
Trunk support, swing away	29
Anti-tip tube	30
Abduction Plot	31
Tray Table	32
Positioning Belt	33
Arm pad, Hemi Version	34

22 / 24 " rear wheel with quick release axle



Pos.	Item number	Description
1	064500-302	22" x-spoke solid tire aluminum handrim
1	064500-300	24" x-spoke solid tire aluminum handrim
-	064500-304	24" x-spoke solid tire, aluminum handrim with drum brake
2	069903	QRX, axle sleeve and nut cpl.
-	000220293	QR - axle with nut, drum brake wheel
-	000283015.01	24 inch x 1 3/8 inch soft solid tyre, puncture proof
-	000854530	22" handrim cover black
-	000854532	24" handrim cover black

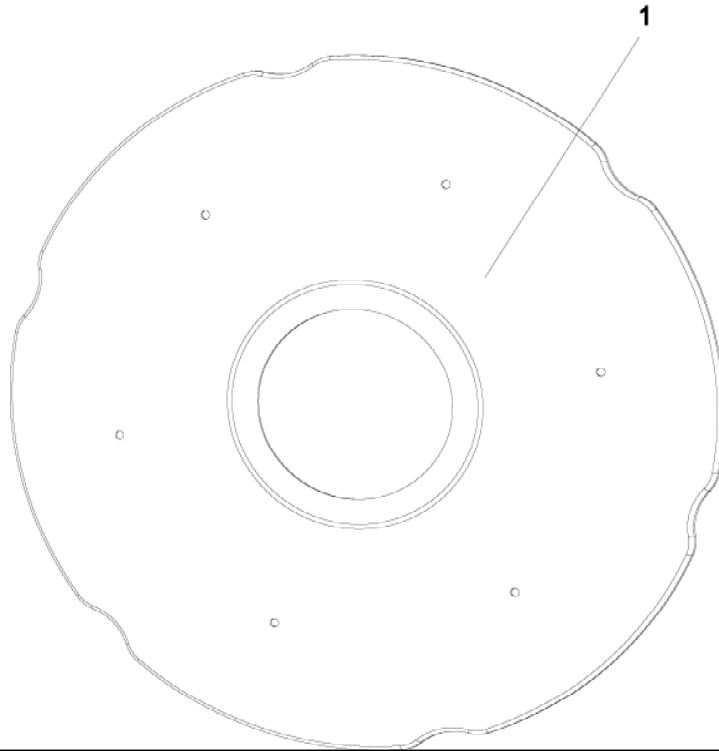
16 " rear wheel



Pos.	Item number	Description	Remark/Qty
1	069909-001	16" Rear wheel with axle bracket for drum brake	RH
-	069909-002	16" Rear wheel with axle bracket for drum brake	LH
2	069910	Mounting attachment 16" Rear wheel	one side

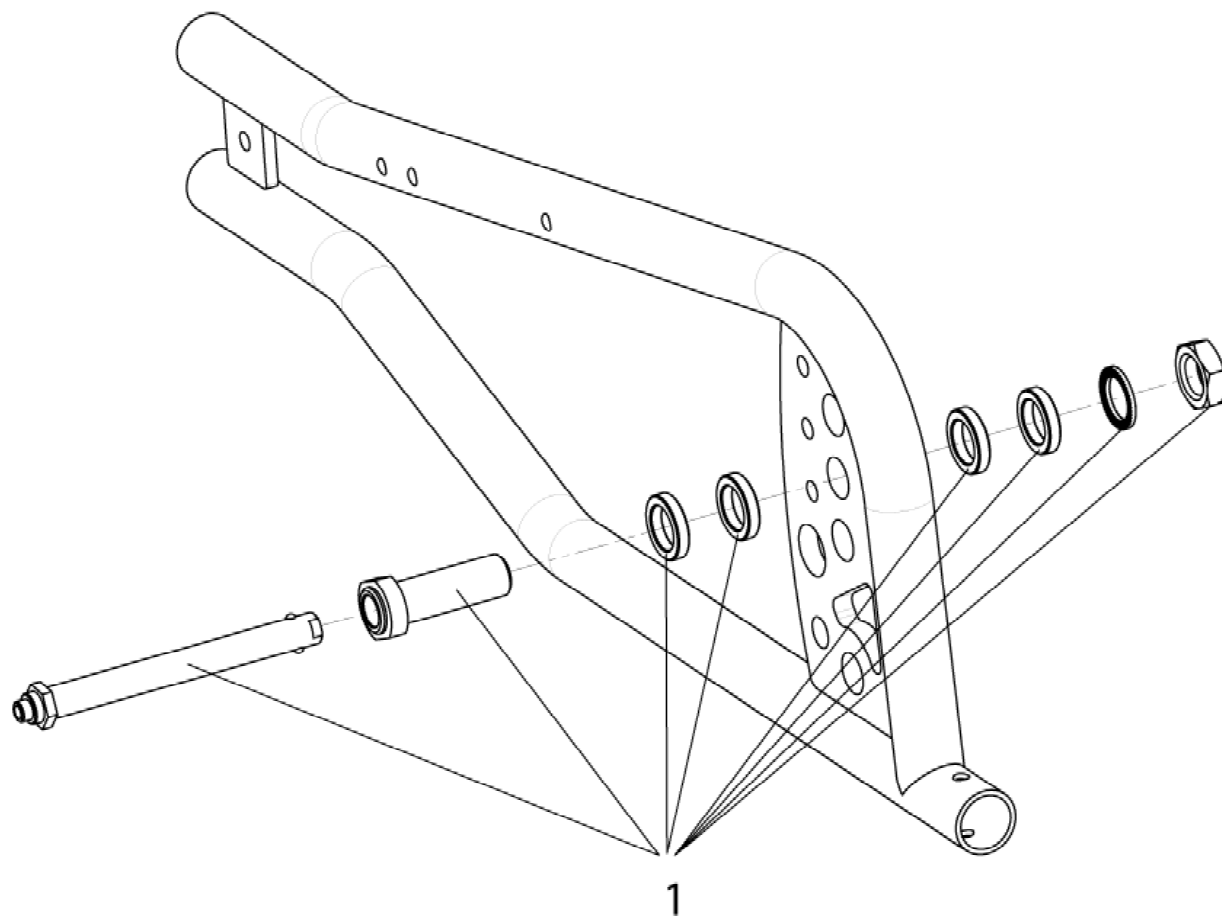
Spoke guard

Spoke guard



Pos.	Item number	Description	Remark/Qty
1	000856032.01	22" spoke guard transparent cpl. with hardware	
1	000856034.01	24" spoke guard transparent cpl. with hardware	
-	000118004-ET	Snapper	25 pcs./pack

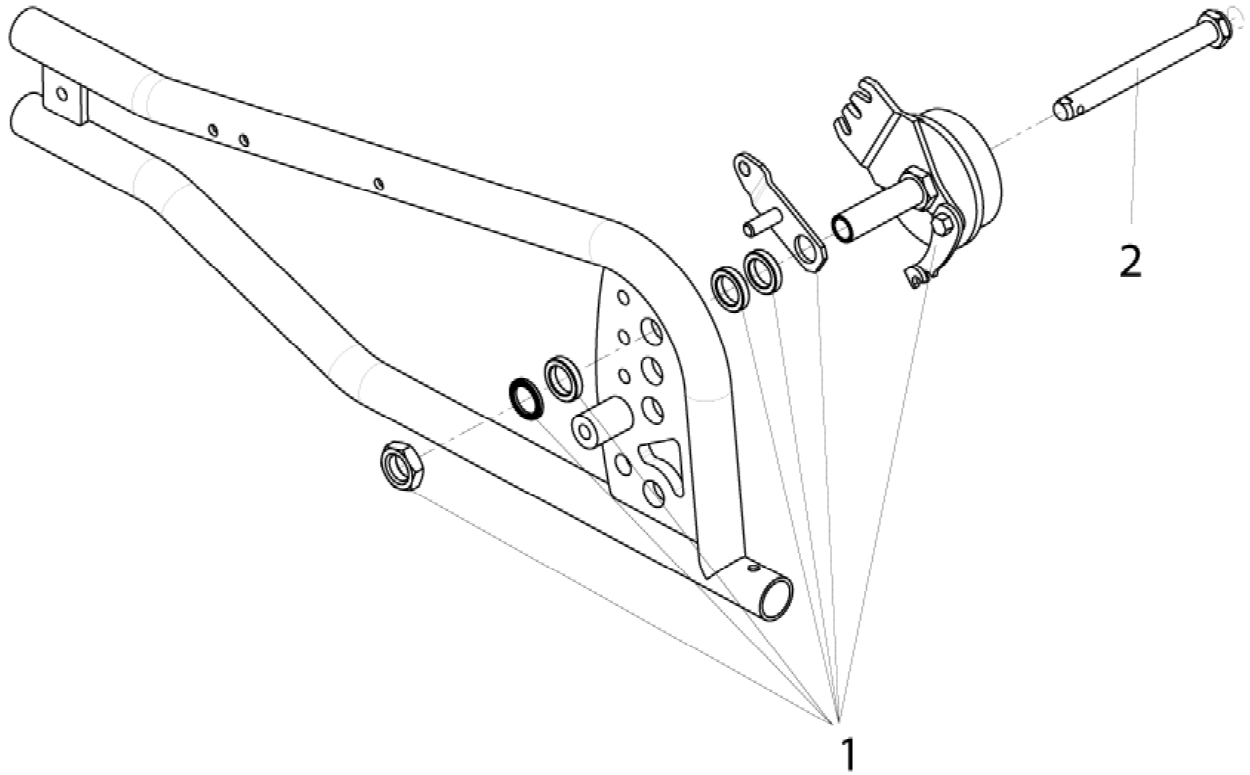
Axle sleeve



Pos.	Item number	Description
1	069903	QRX, axle sleeve and nut cpl.

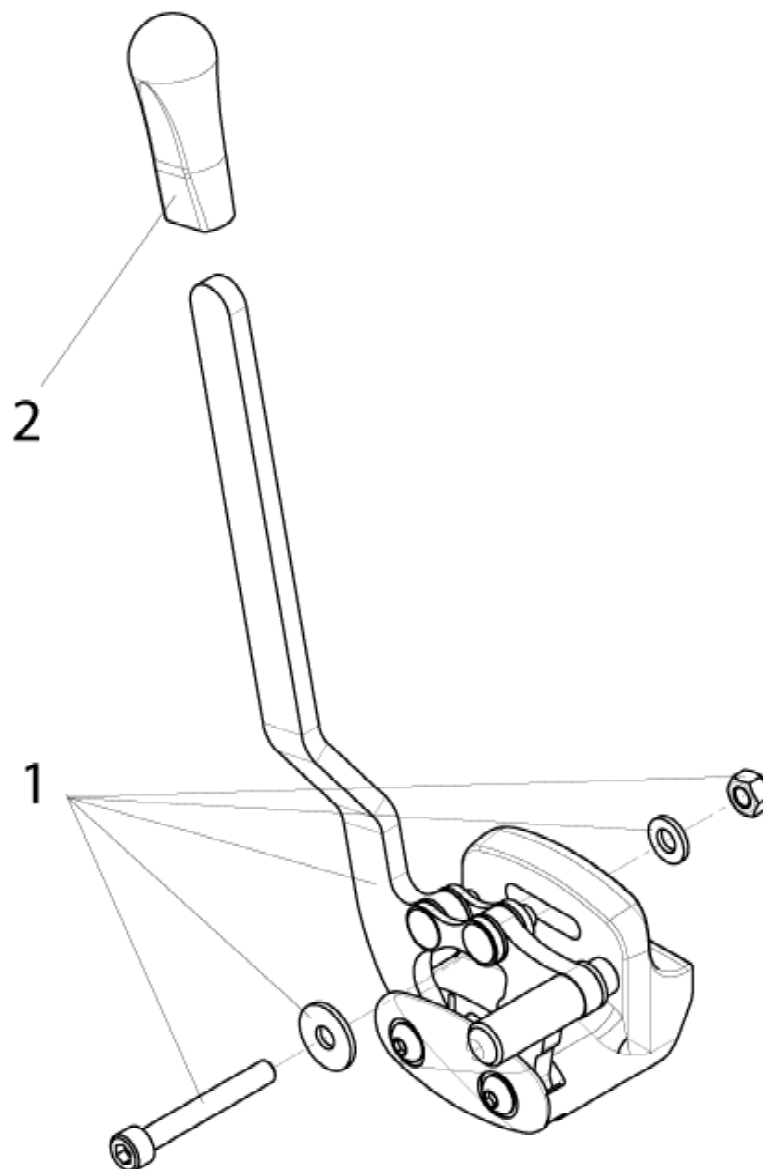
Drum brake

Drum brake



Pos.	Item number	Description	Remark/Qty
1	069908	Axle bracket for drum brake (without rear wheel)	Pair
2	000220293	QR - axle with nut, drum brake wheel	

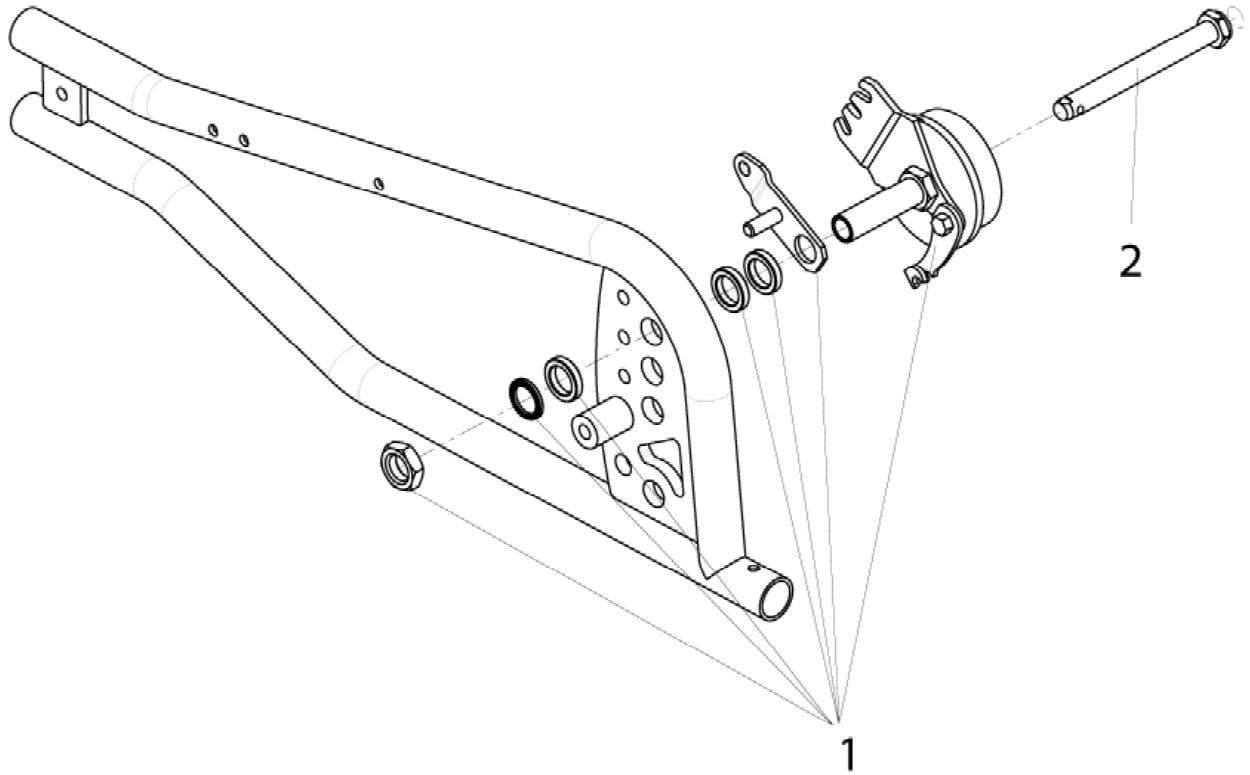
Knee lever brake



Pos.	Item number	Description	Remark/Qty
-	069601-000	Knee lever brake (used for 22" and 24" rear wheel)	Pair
-	069601-001	Knee lever brake (used for 22" and 24" rear wheel)	LH
1 - 2	069601-002	Knee lever brake (used for 22" and 24" rear wheel)	RH
-	069609-000	Knee lever brake (used for 16" rear wheel)	Pair
-	069609-001	Knee lever brake (used for 16" rear wheel)	LH
-	069609-002	Knee lever brake (used for 16" rear wheel)	RH
2	000861156-ET	Cover wheel lock lever	5 pcs./pack

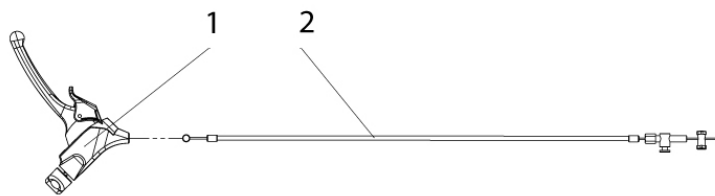
Drum brake

Drum brake



Pos.	Item number	Description	Remark/Qty
1	069908	Axle bracket for drum brake (without rear wheel)	Pair
2	000220293	QR - axle with nut, drum brake wheel	

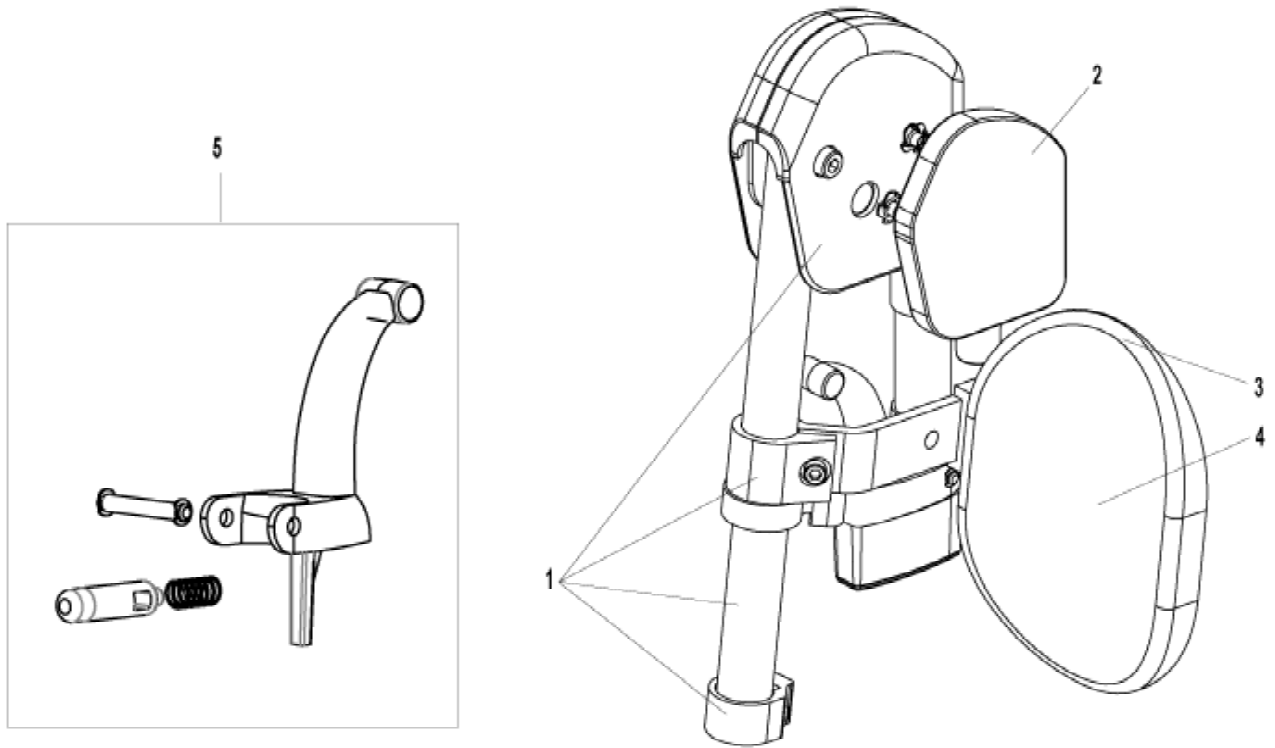
Lever for drum brake



Pos.	Item number	Description	Remark/Qty
1	064620-004	Lever for drum brake	
2	069751	Bowden cable for drum brake	1 St./Pkg

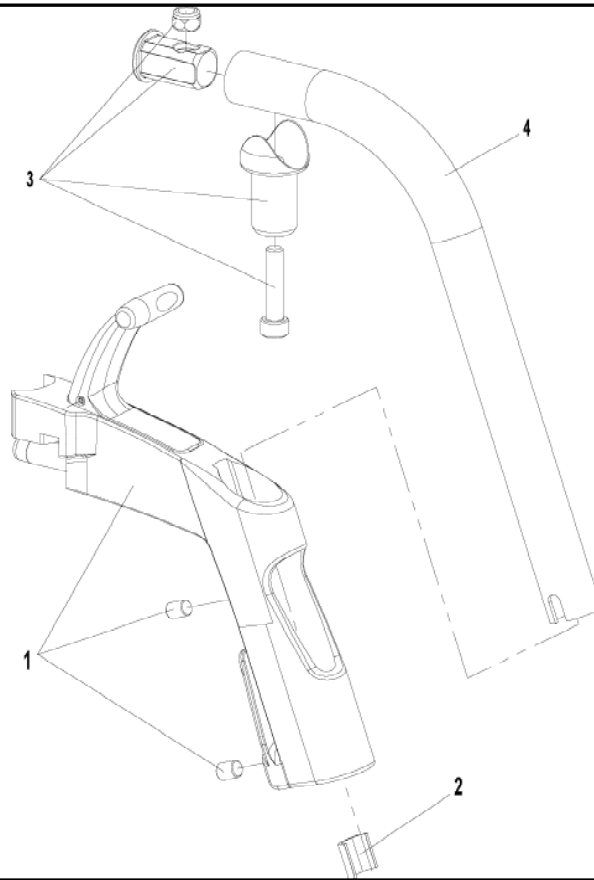
Elevating legrest (ELR)

Elevating legrest (ELR)



Pos.	Item number	Description	Remark/Qty
-	064260-000	ELR-Footrest (w/o footplate)	Pair
-	064260-002	ELR-Footrest (w/o footplate)	LH
1 - 4	064260-001	ELR-Footrest (w/o footplate)	RH
-	064914	Heel loop cpl.	
2	064250-001	Knee pad	RH
-	064250-002	Knee pad	LH
3 - 4	064924	Calf pad with cover	
4	064927	Calf pad cover	
-	069201-ET	Extra comfort pad (mounted between calf pad cover and calf pad)	Pair

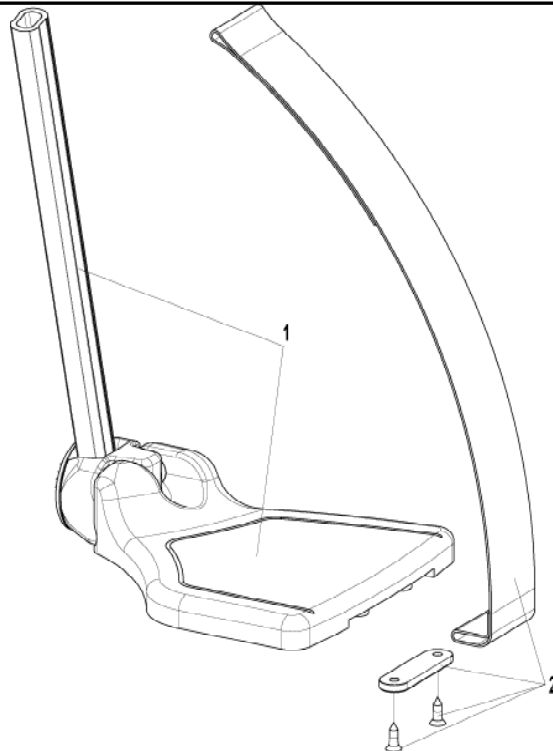
Hanger



Pos.	Item number	Description	Remark/Qty
	064928-000	Pair hanger assembly (w/o footplate) cpl. - brilliant silver	Pair
1 - 4	064928-001	Hanger assembly (w/o footplate) - brilliant silver	LH
	064928-002	Hanger assembly (w/o footplate) - brilliant silver	RH
1	064937-001	Hanger molding	LH
	064937-002	Hanger molding	RH
2	064918	Clamping piece	
3	064938	Hanger pivot plug	LH/RH useable

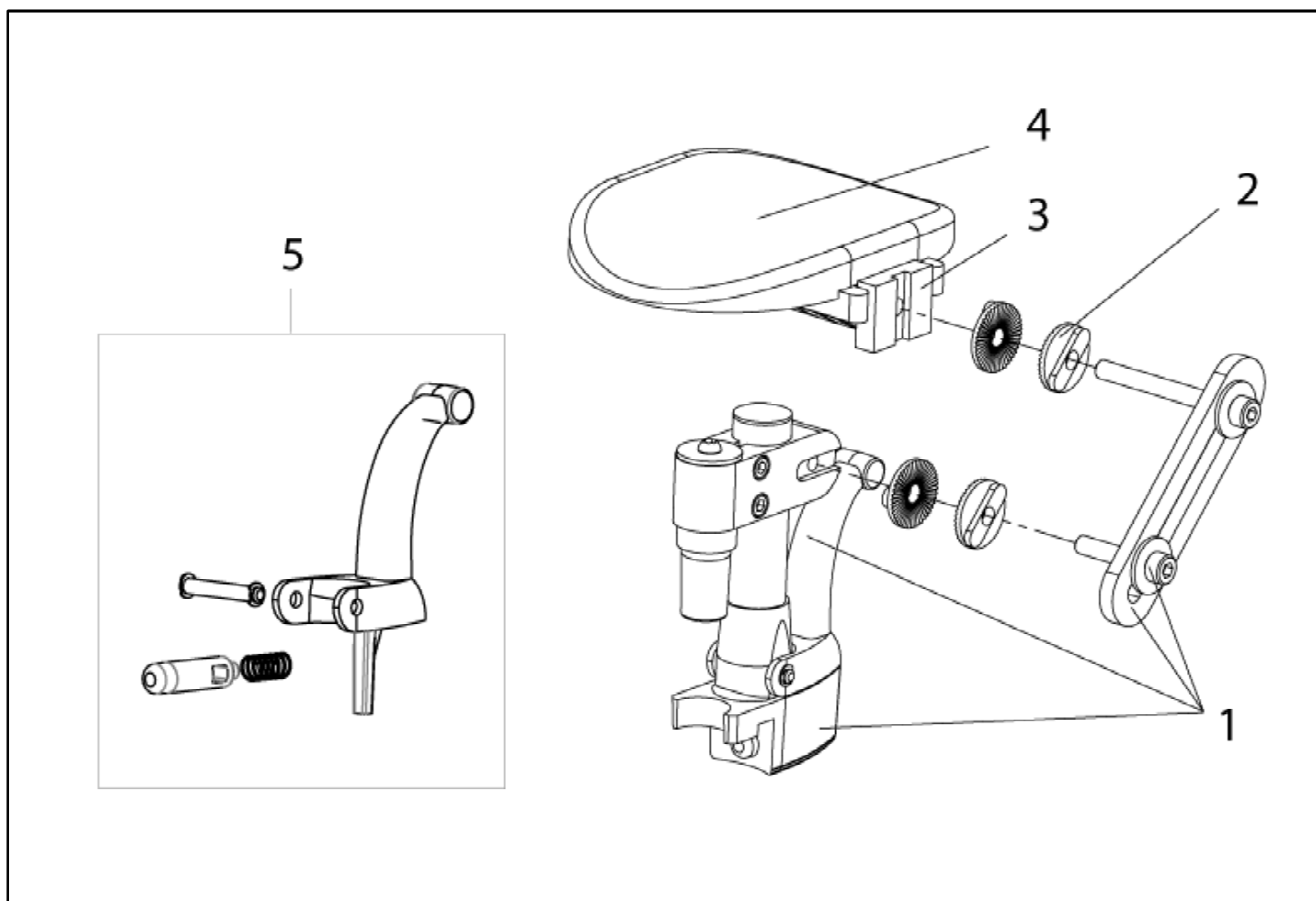
Plastic footplate

Plastic footplate



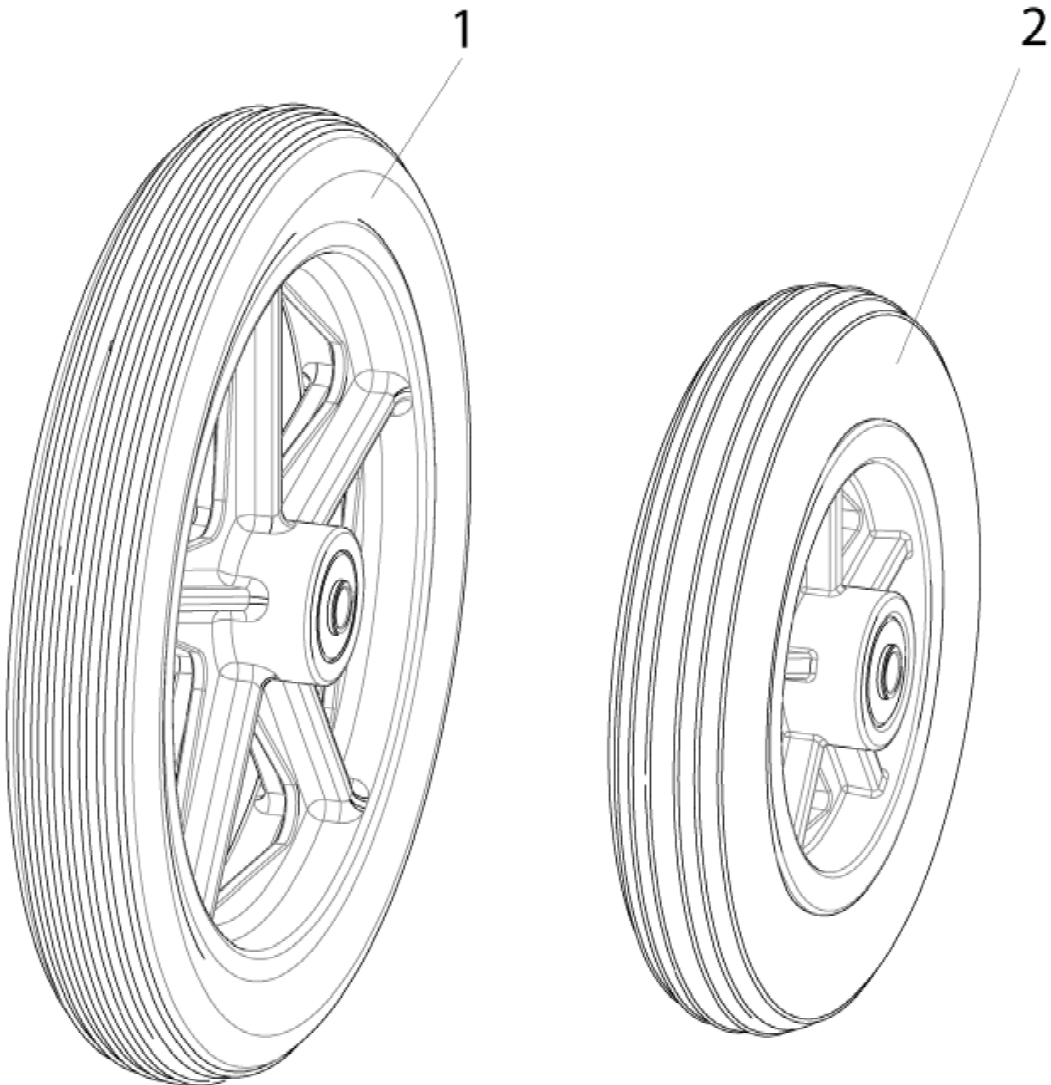
Pos.	Item number	Description	Remark/Qty
-	064200-103	Plastic footplate 207 mm (with heel band & extention tube - SW 41 cm)	Pair
1 - 2	064200-113	Plastic footplate 207 mm (with heel band & extention tube - SW 41 cm)	LH
-	064200-123	Plastic footplate 207 mm (with heel band & extention tube - SW 41 cm)	RH
-	064200-104	Plastic footplate 232 mm (with heel band & extention tube - SW 46 cm)	Pair
1 - 2	064200-114	Plastic footplate 282 mm (with heel band & extention tube - SW 46 cm)	LH
-	064200-124	Plastic footplate 282 mm (with heel band & extention tube - SW 46 cm)	RH
-	064200-105	Plastic footplate 257 mm (with heel band & extention tube - SW 51 cm)	Pair
1 - 2	064200-115	Plastic footplate 257 mm (with heel band & extention tube - SW 51 cm)	LH
-	064200-125	Plastic footplate 257 mm (with heel band & extention tube - SW 51 cm)	RH
2	064914	Heel loop cpl.	

Stump pad



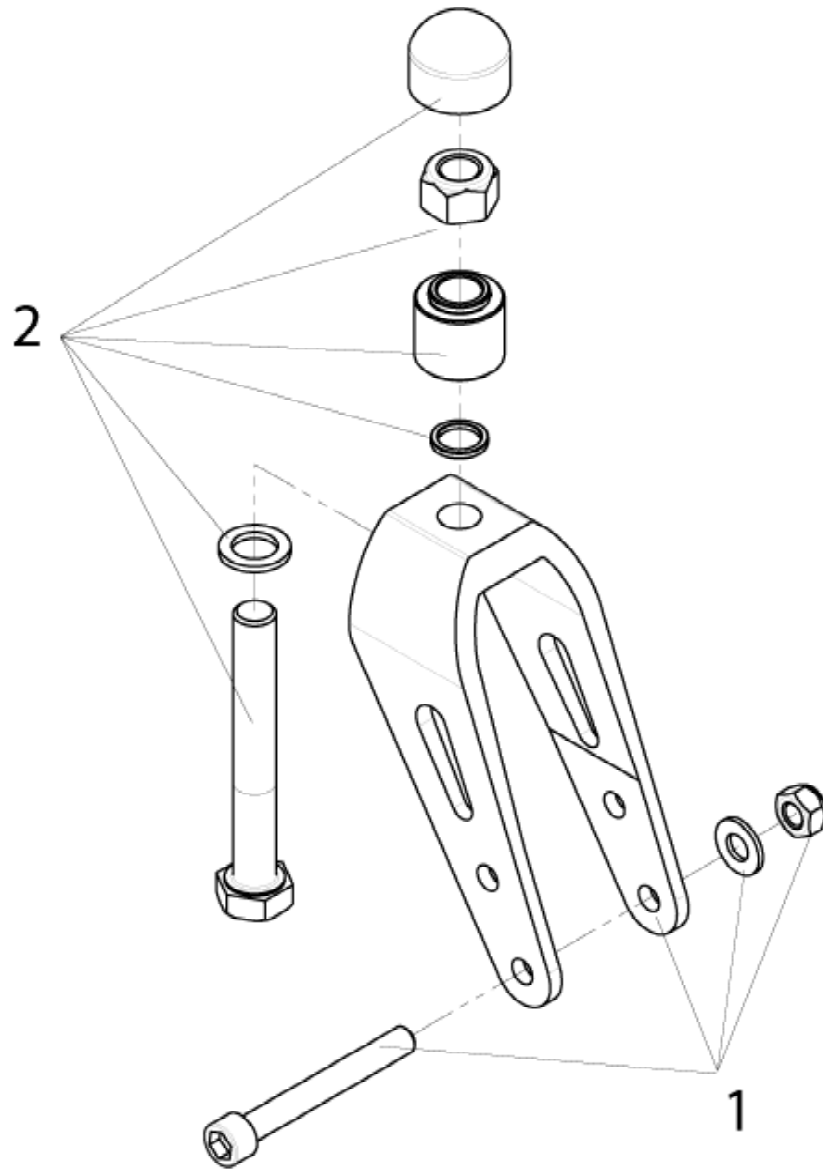
Pos.	Item number	Description	Remark/Qty
-	064280-000	Stump pad cpl.	Pair
-	064280-002	Stump pad cpl.	LH
1 - 4	064280-001	Stump pad cpl.	RH
2	064905	Detent washer set	20 pcs./pack
3 - 4	064924	Calf pad with cover	
4	064927	Calf pad cover	
5	064999-ET	Release lever cpl.	

Castor



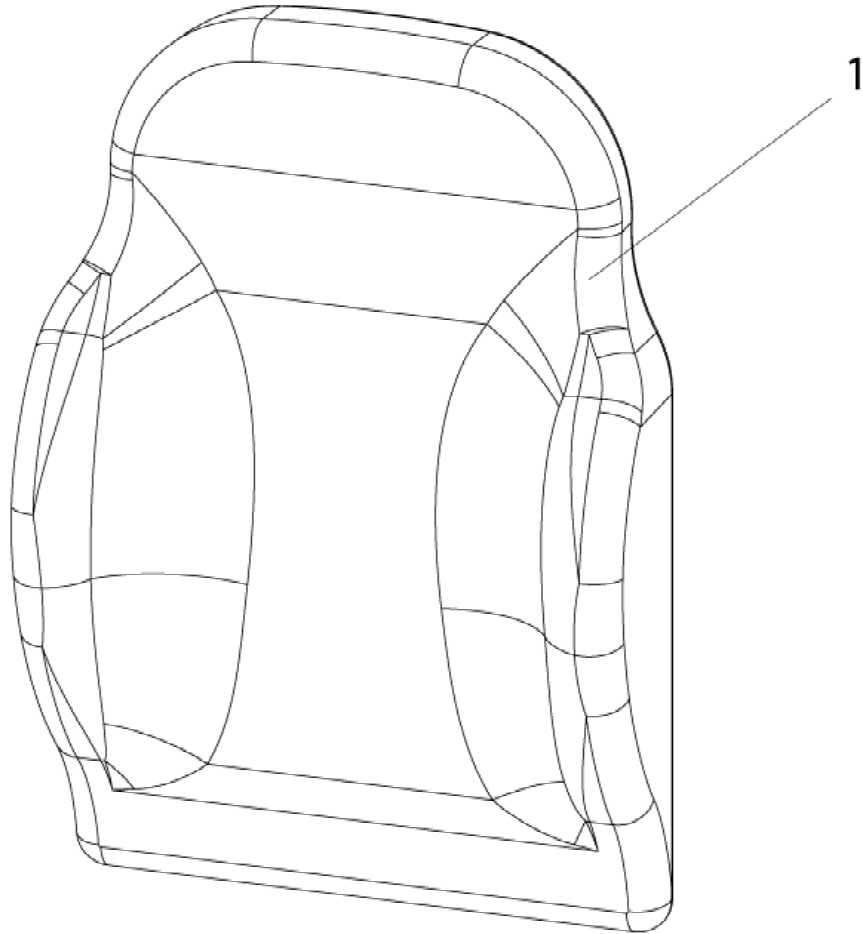
Pos.	Item number	Description
1	069904	8" solid castor with axle cpl.
2	069905	6" solid castor with axle cpl.

Castor fork



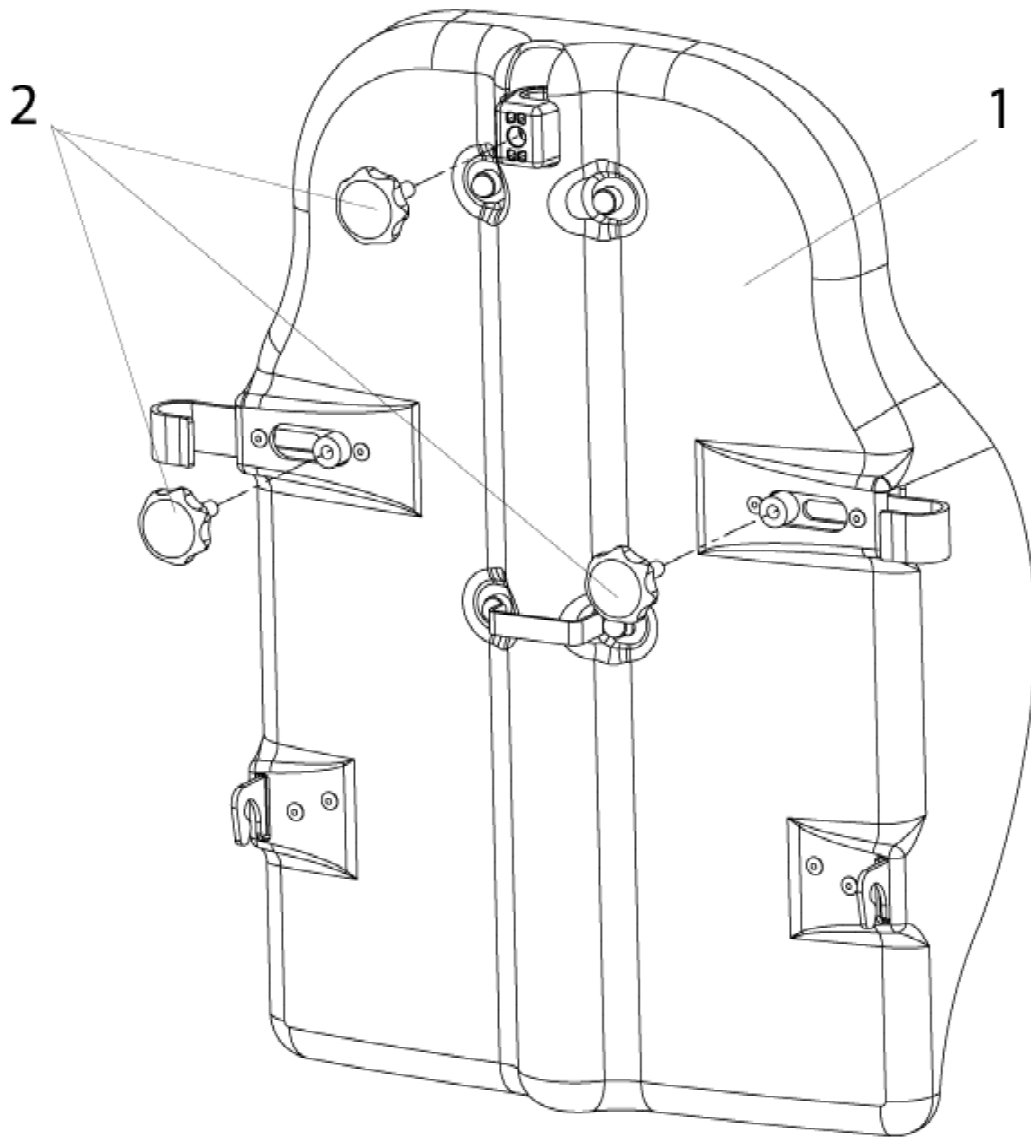
Pos.	Item number	Description	Remark/Qty
1 - 2	069901	Castor fork w/o Castor std.	one side
2	069902	Stem bolt + nut for castor fork and spacer	2 pcs./pack
-	064940	Cap	20 pcs./pack

Backrest cushion



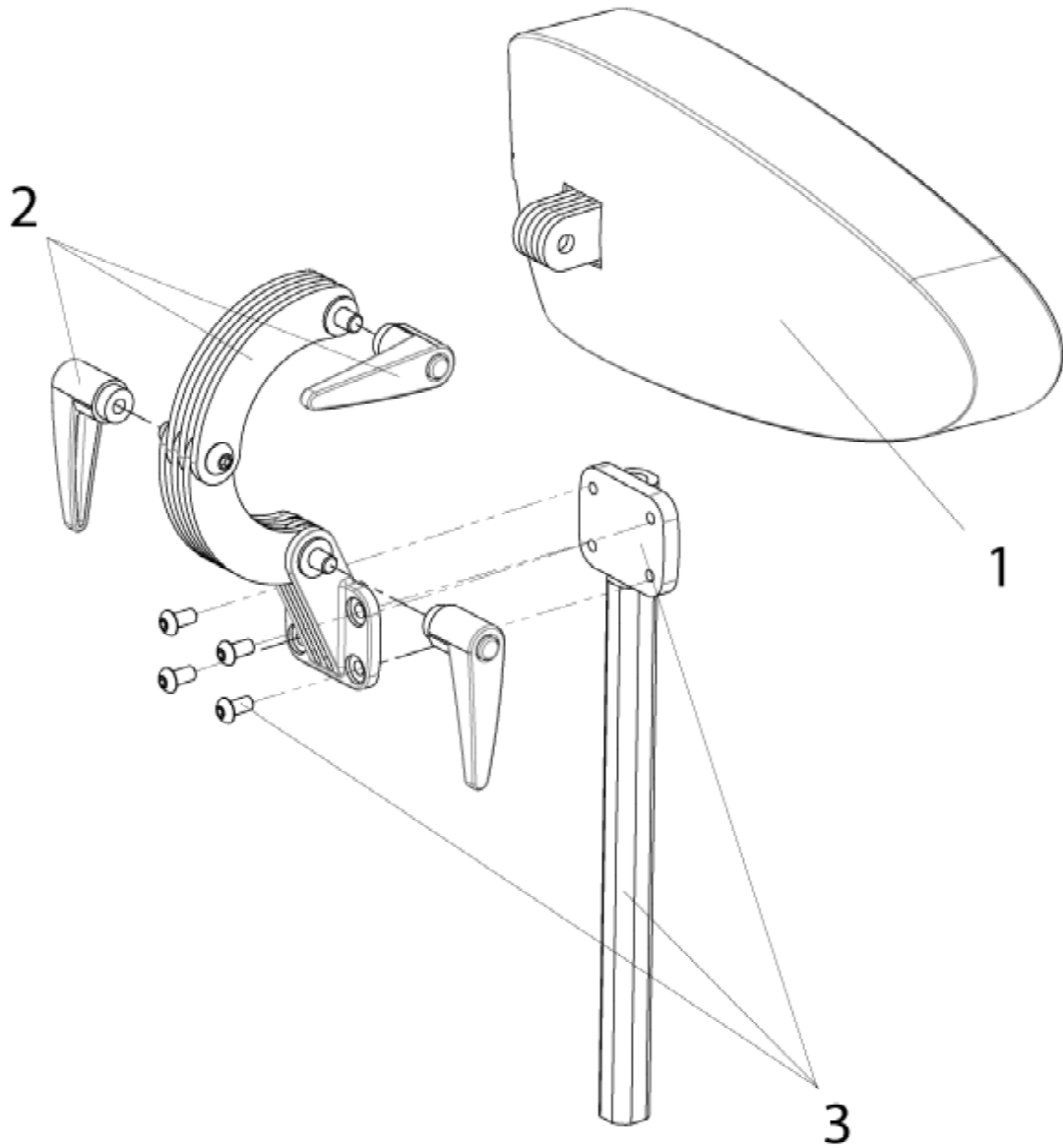
Pos.	Item number	Description
1	069450-001	Backrest Cushion with Cover - SW 41 cm
1	069450-002	Backrest Cushion with Cover - SW 46 cm
1	069450-003	Backrest Cushion with Cover - SW 51 cm
-	069451-001	Backrest cover - SW 41 cm
-	069451-002	Backrest cover - SW 46 cm
-	069451-003	Backrest cover - SW 51 cm

Back shell



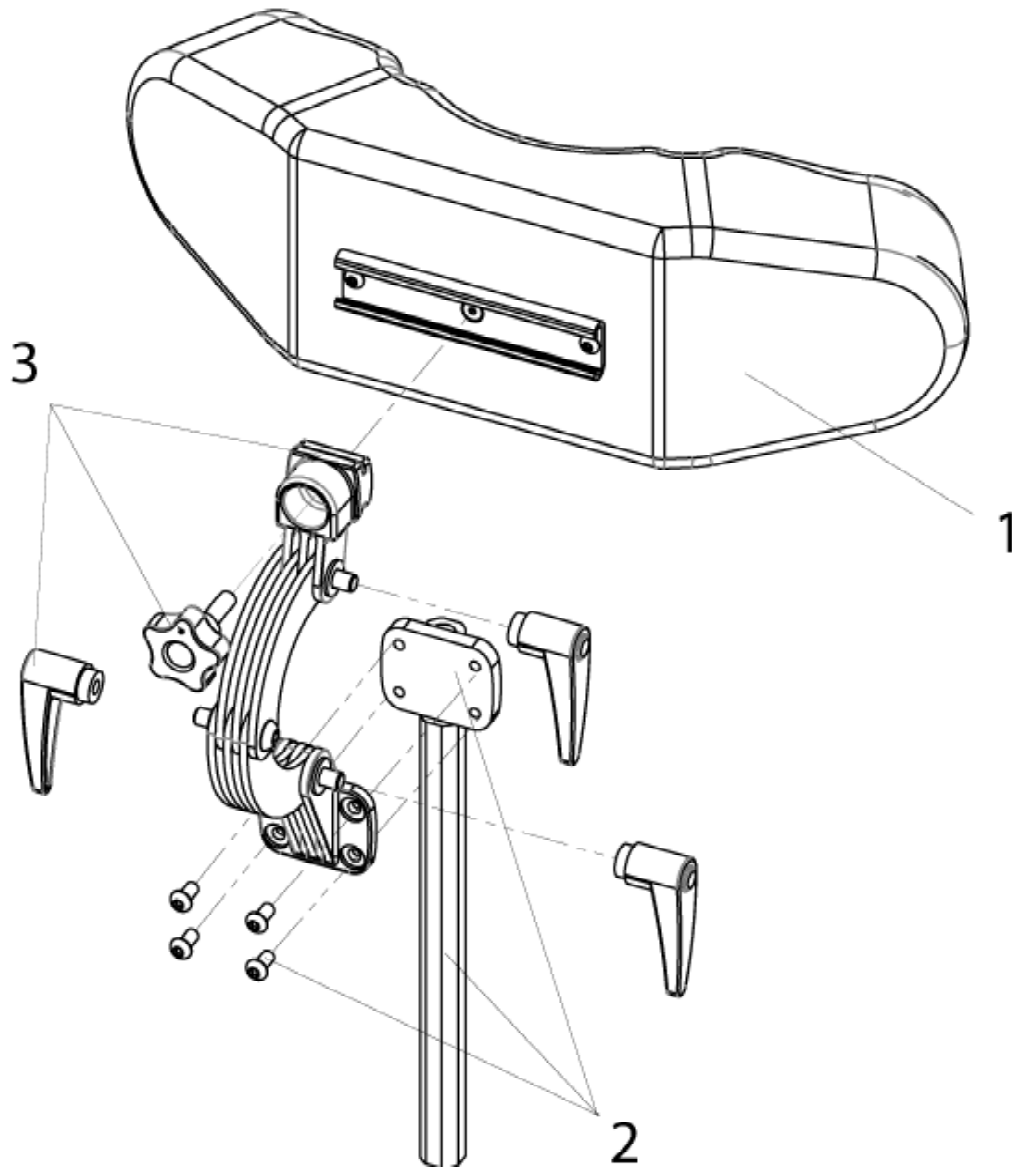
Pos.	Item number	Description	Remark/Qty
1 - 2	069448-001	Back shell cpl. - SW 41 cm	
1 - 2	069448-002	Back shell cpl. - SW 46 cm	
1 - 2	069448-003	Back shell cpl. - SW 51 cm	
2	064227-ET	Star handle screw M8	10 pcs./pack

STD head rest



Pos.	Item number	Description
1 - 3	069459	Standard head rest cpl.
1	069461	Foam, cover and shell
2 - 3	069923	Bracket for standard head rest cpl.

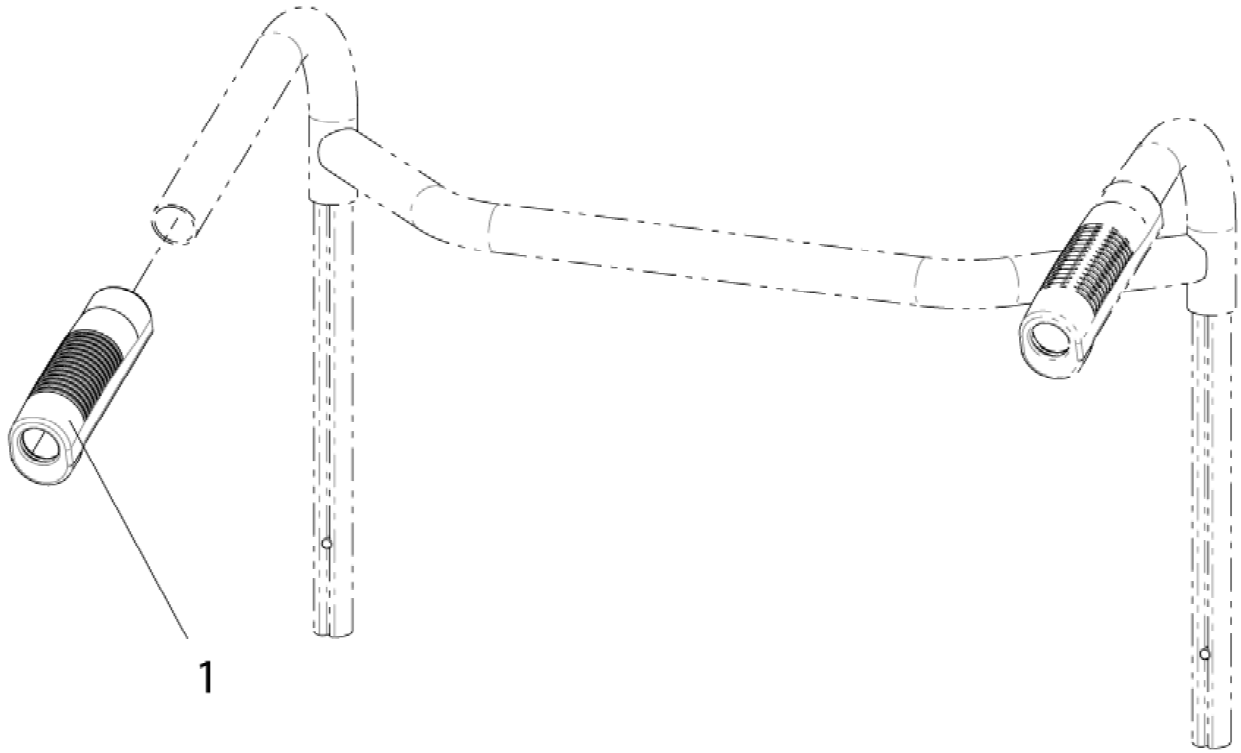
3 wing head rest



Pos.	Item number	Description
1 - 3	069458	Head rest 3 wing cpl
1	069479	Foam, cover and attachment cpl.
2 - 3	069920	Bracket for 3 wing head rest

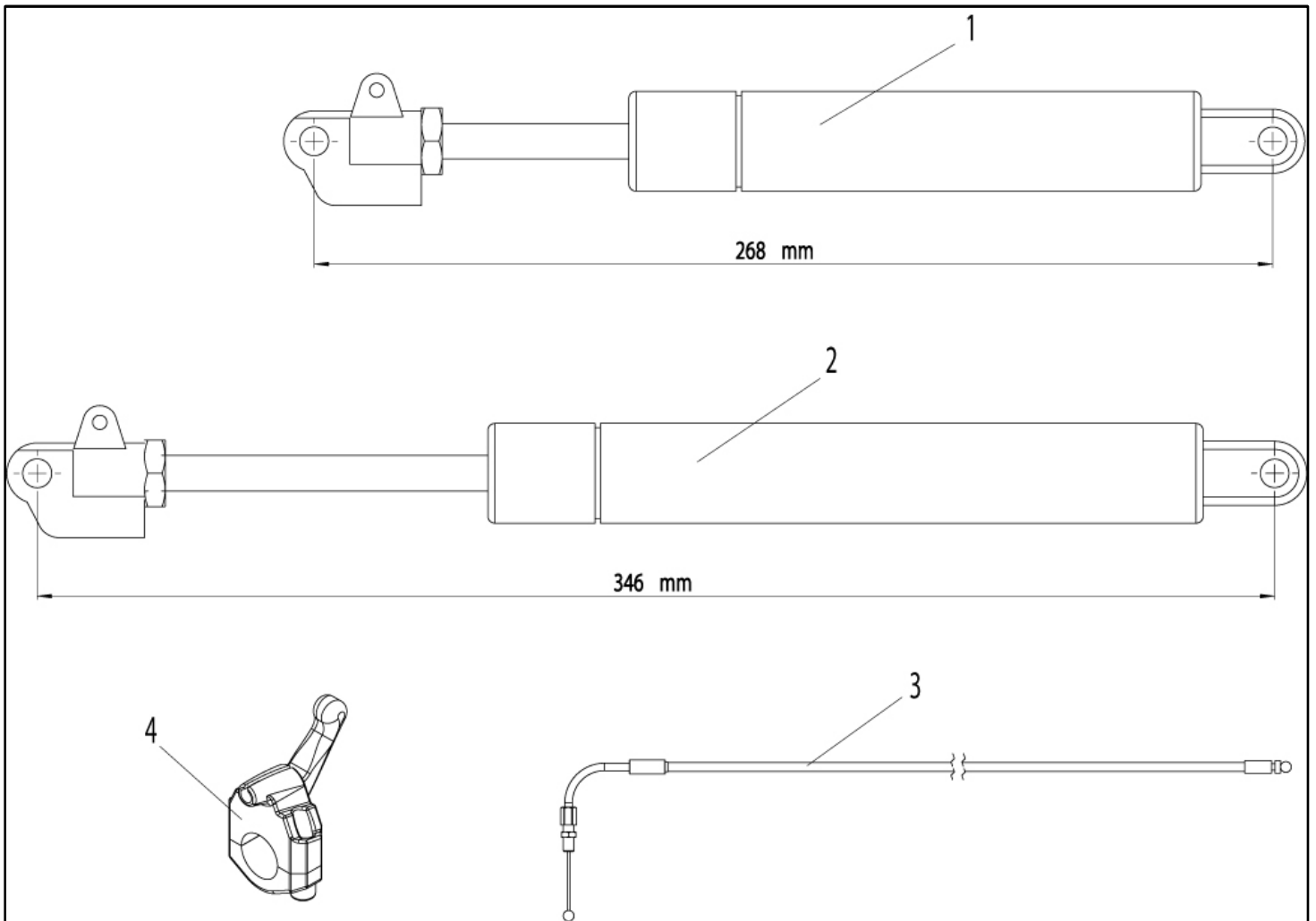
Hand grip used at the push handle

Hand grip used at the push handle



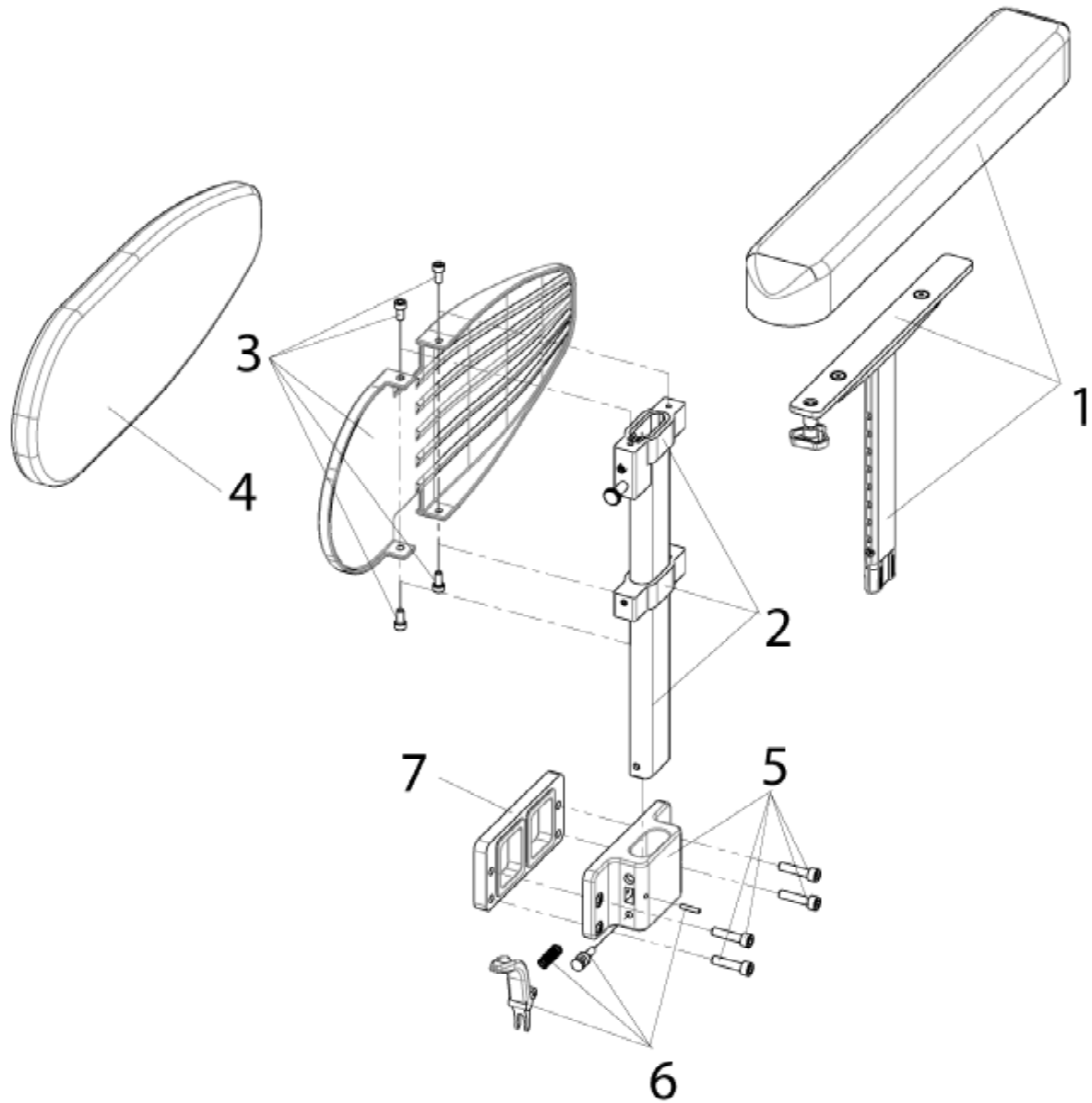
Pos.	Item number	Description	Remark/Qty
1	064946	Handgrip	10 pcs./pack

Gas Spring (Dampener)



Pos.	Item number	Description
1	069370	Gas Spring tilt mechanism
2	069460	Gas Spring recline mechanism
3	069911	Release lever with bowden cable cpl.

SPHA arm rest

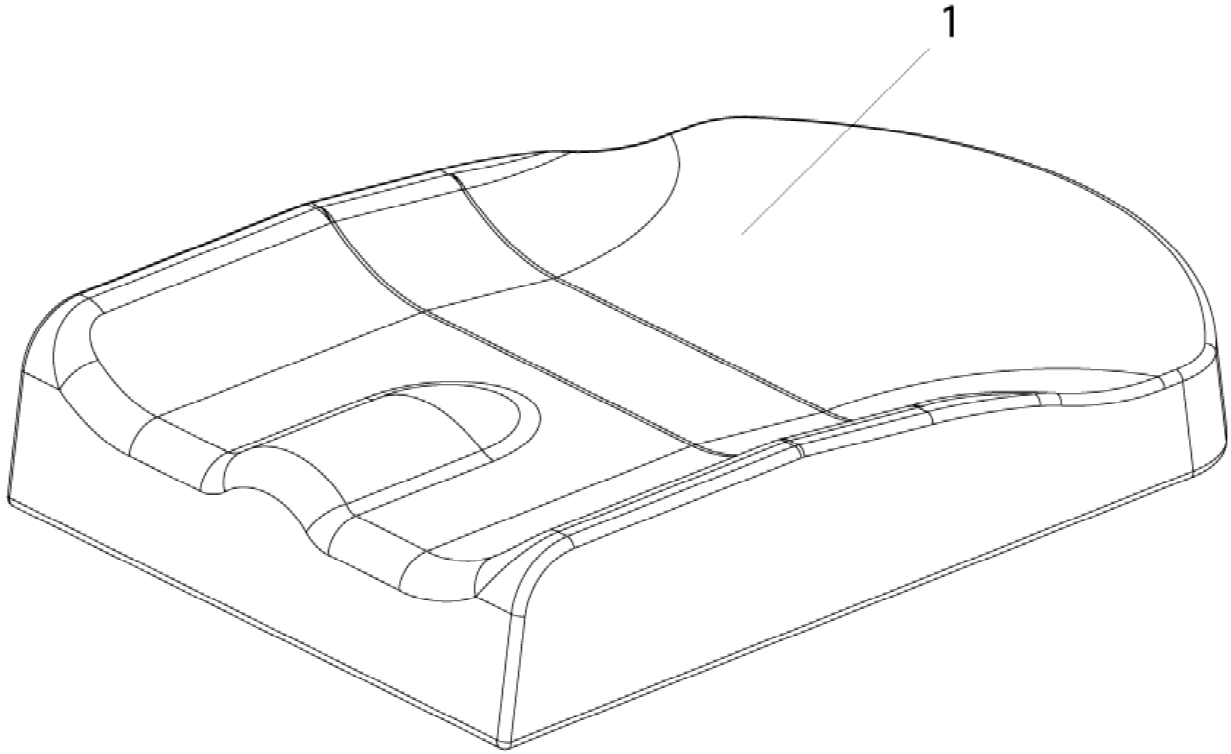


Pos.	Item number	Description	Remark/Qty
-	069442-000	Single post height adjustable armrest	Pair
1 - 4	069442-002	Single post height adjustable armrest	LH
-	069442-001	Single post height adjustable armrest	RH
1	069928-001	Armpad with hardware cpl.	LH
-	069928-002	Armpad with hardware cpl.	RH
3	064992	Panel with screws cpl.	Pair
4	069426	Sideguard inner pad	Pair, thickness 2 cm

Pos.	Item number	Description	Remark/Qty
5 - 6	069438-001	Sideguard receiver cpl.	LH
-	069438-002	Sideguard receiver cpl.	RH
6	064919	Release SPHA armrest	LH/RH useable
7	069444-ET	Sideguard spacer (1 cm, per side)	Pair

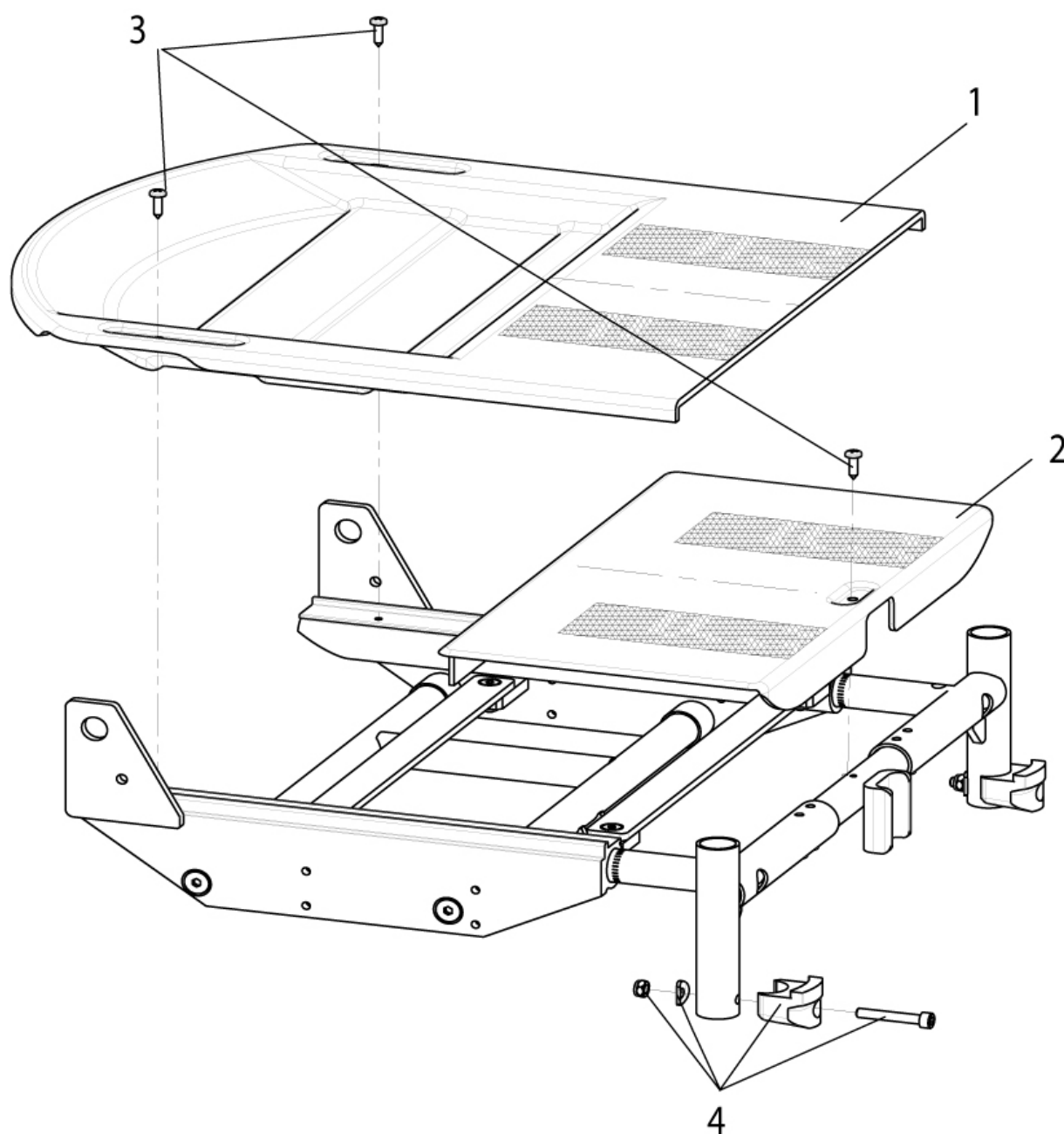
Seat cushion with cover

Seat cushion with cover



Pos.	Item number	Description
1	069350-001	Seat cushion with cover - SW 41 cm
1	069350-002	Seat cushion with cover - SW 46 cm
1	069350-003	Seat cushion with cover - SW 51 cm
	069351-001	Seat cover - SW 41 cm
	069351-002	Seat cover - SW 46 cm
	069351-003	Seat cover - SW 51 cm

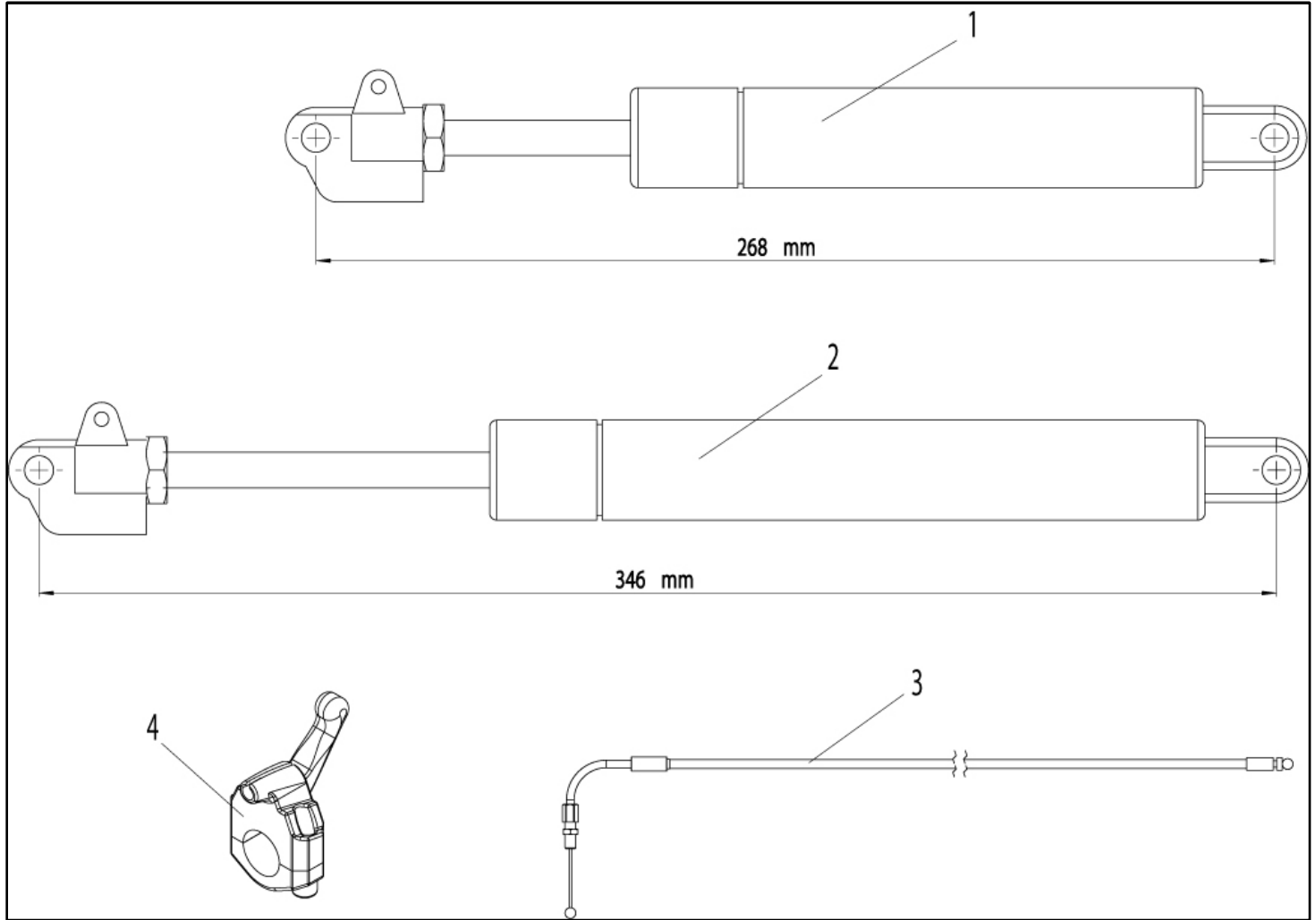
Seat Plates



Pos.	Item number	Description	Remark/Qty
1-2	069926-001	Seat Plates cpl. - SW 41 cm	
1-2	069926-002	Seat Plates cpl. - SW 46 cm	
1-2	069926-003	Seat Plates cpl. - SW 51 cm	
3	C2.4520-ET	Sheet metal screw 4.8 x 16 - ISO 7049	Pack of 25
4	064925	Hanger boss complete	

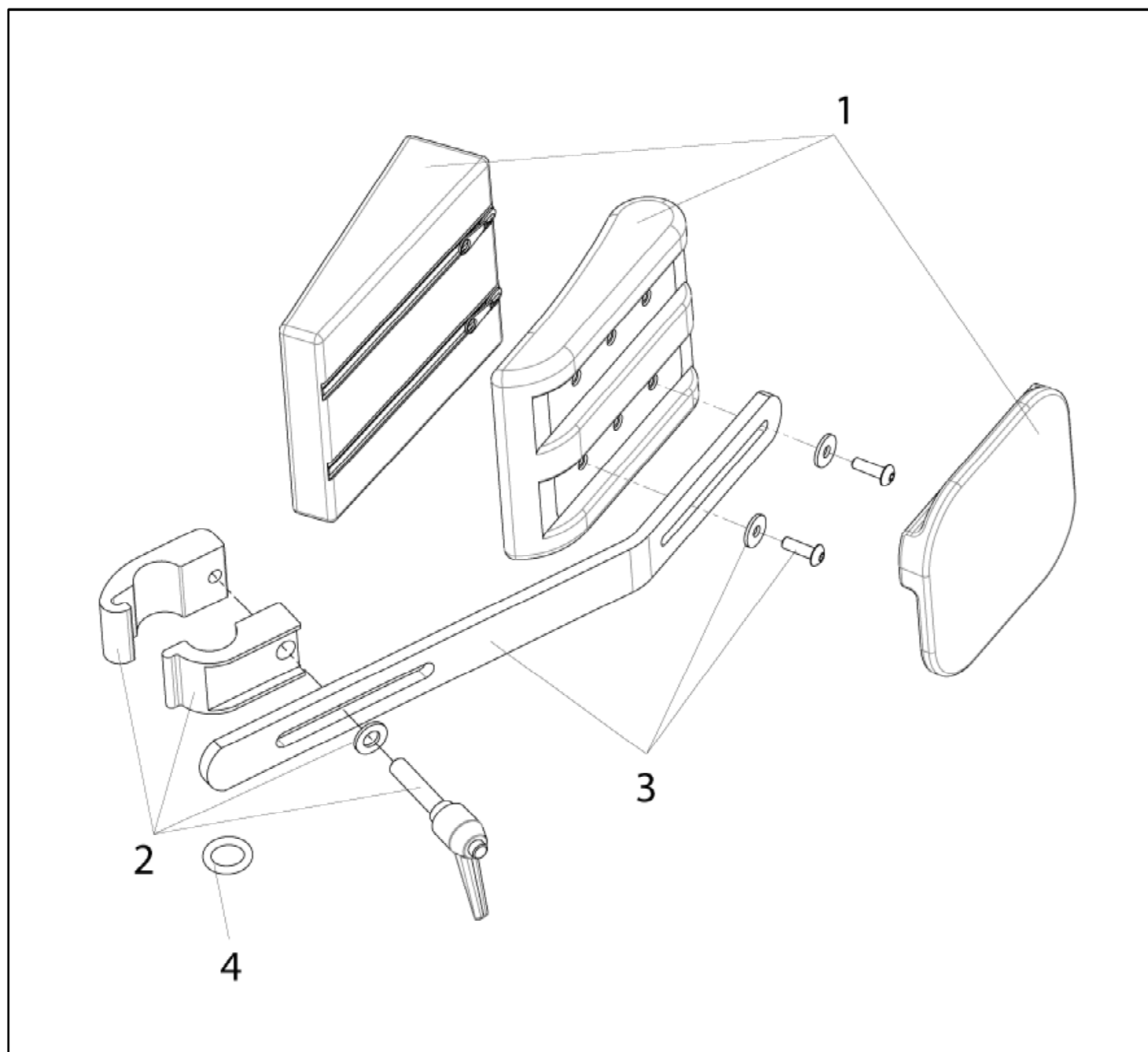
Gas Spring (Dampener)

Gas Spring (Dampener)



Pos.	Item number	Description
1	069370	Gas Spring tilt mechanism
2	069460	Gas Spring recline mechanism
3	069911	Release lever with bowden cable cpl.

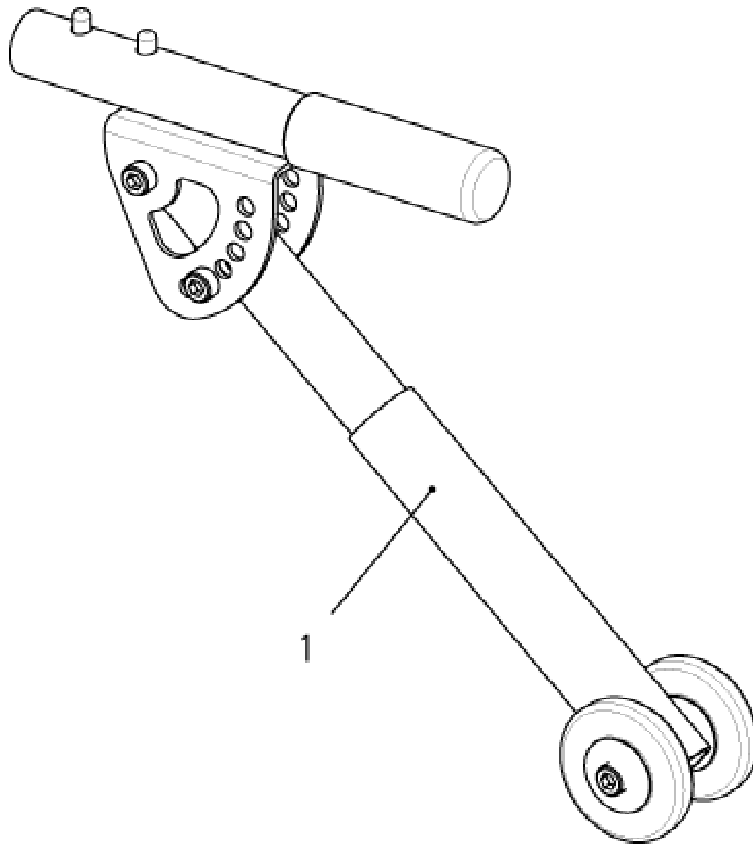
Trunk support, swing away



Pos.	Item number	Description	Remark/Qty
1 - 4	069447-000	Trunk Support, swing away	Pair

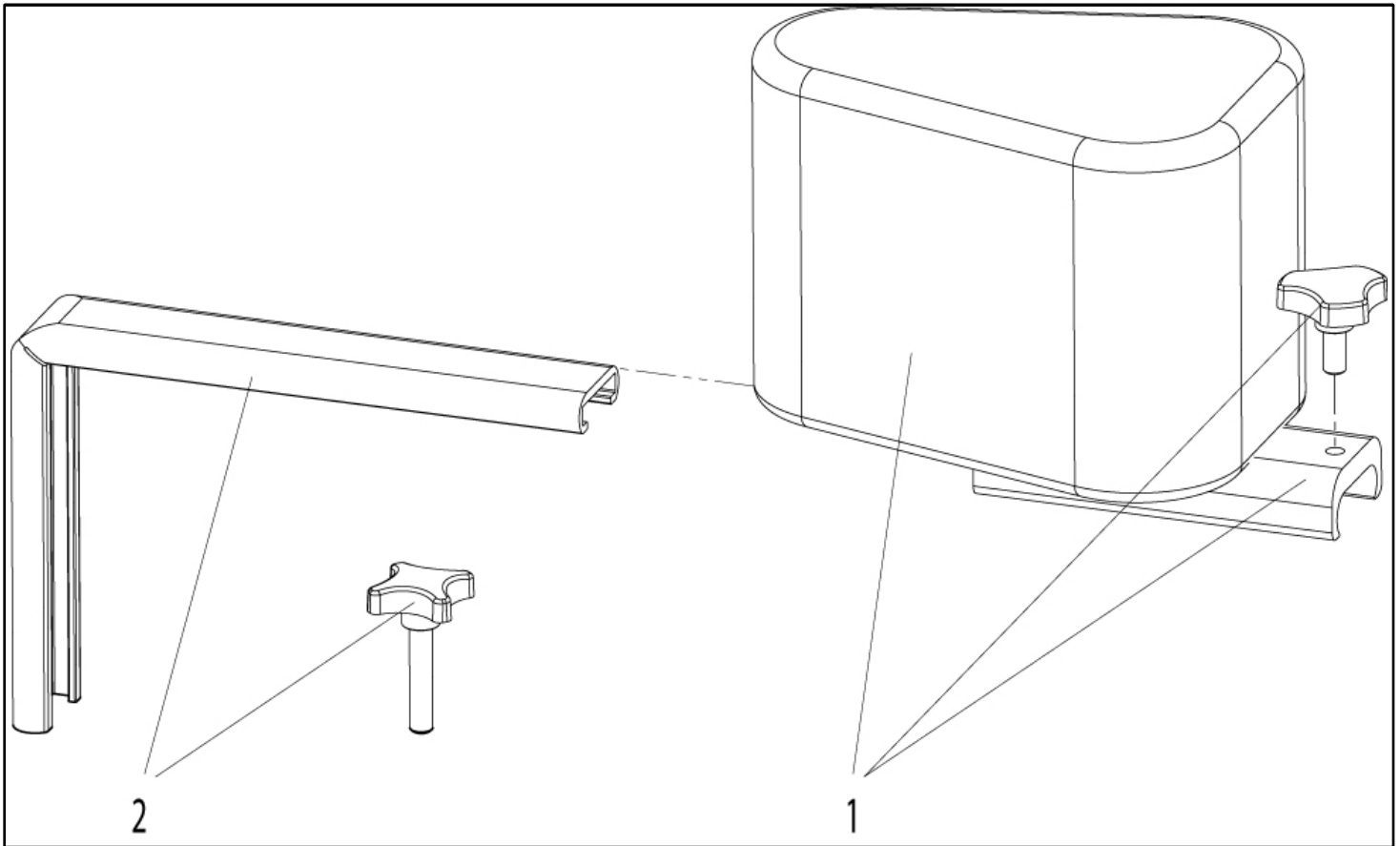
Anti-tip tube

Anti-tip tube



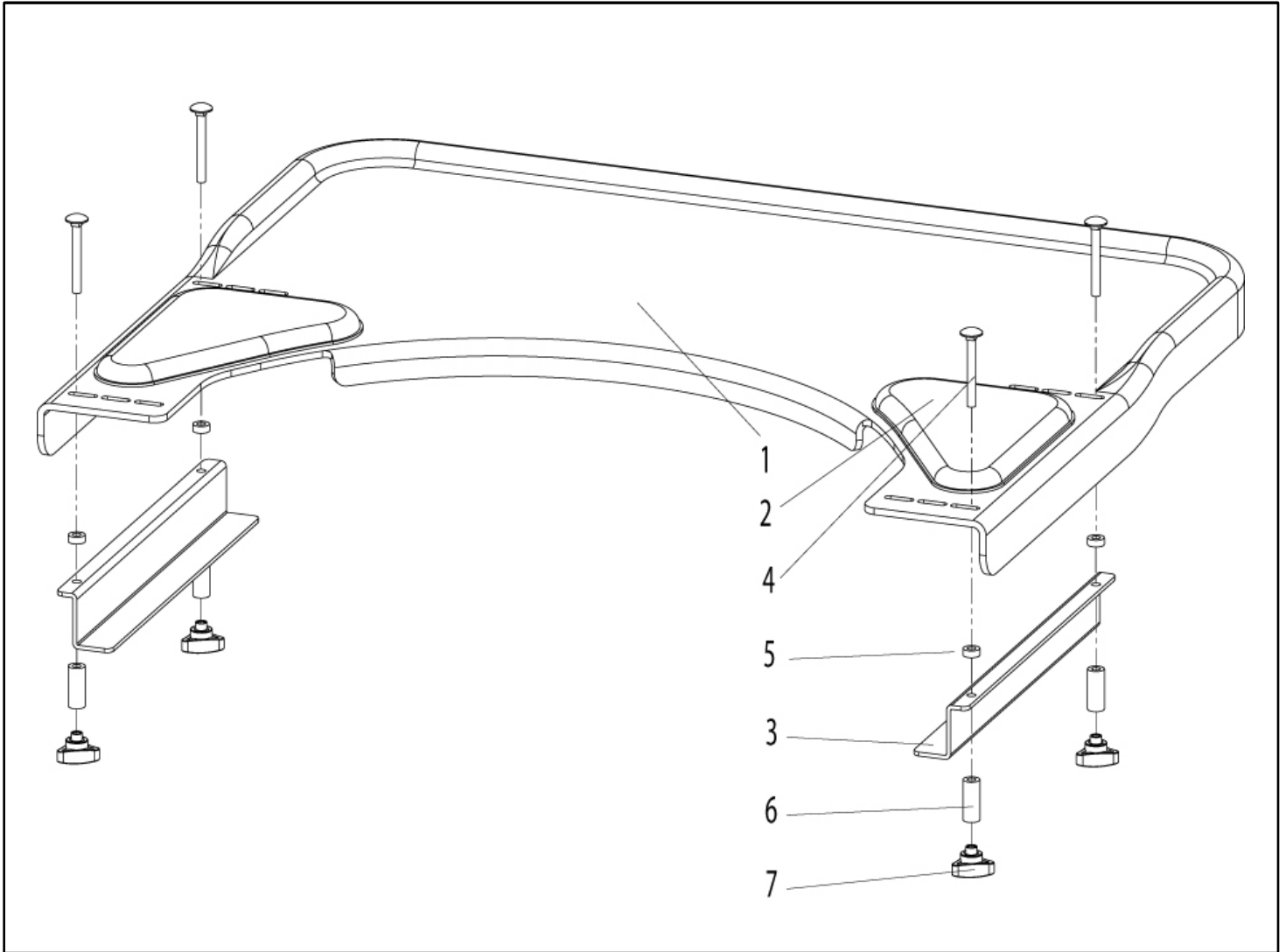
Pos.	Item number	Description	Remark/Qty
1	065711	Swingaway anti-tip tubes for 24Inch and 26Inch cpl. (without frame adapter)	can be used right & left

Abduction Plot



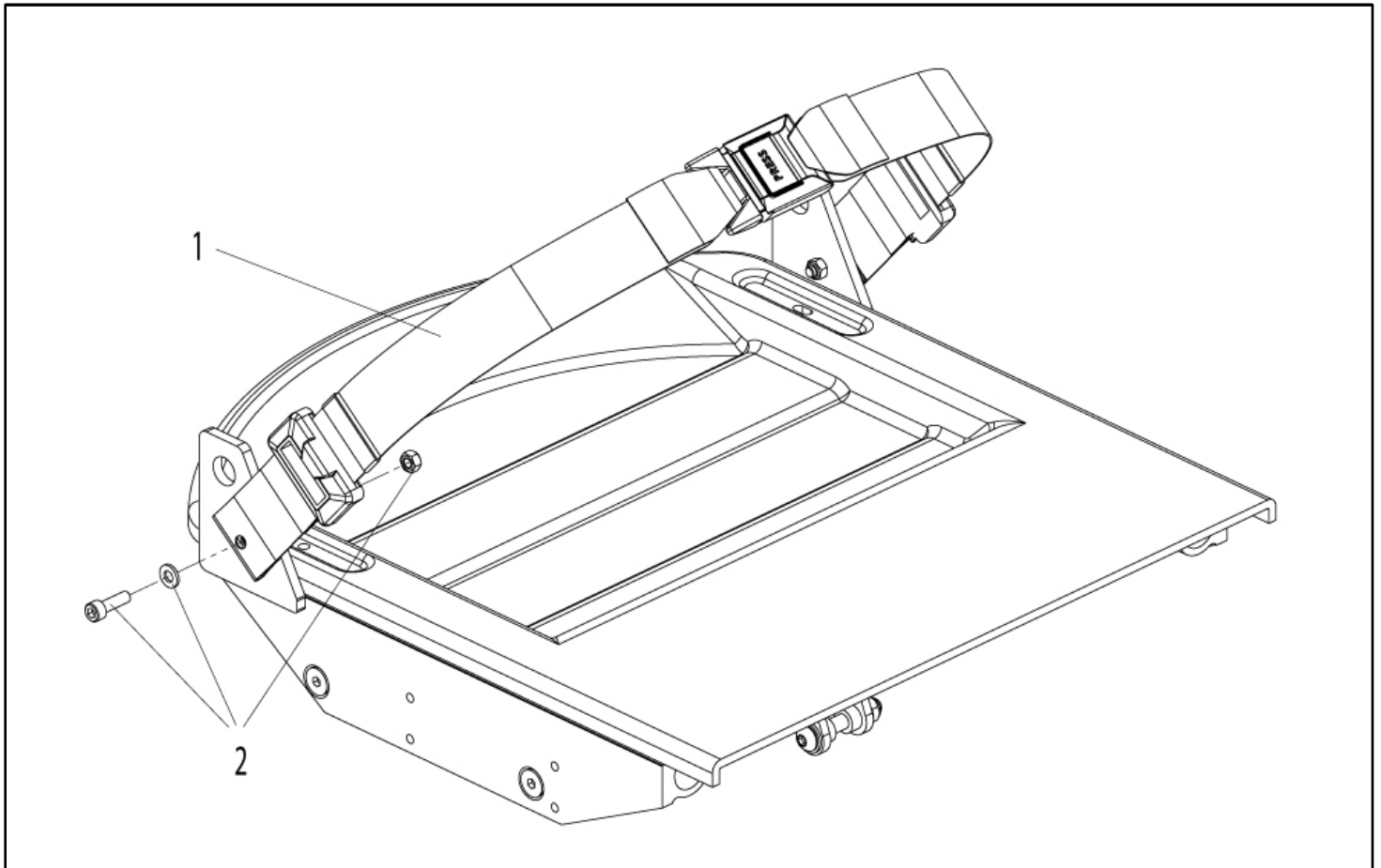
Pos.	Item number	Description
1-2	069327	Abduction plot cpl.

Tray Table



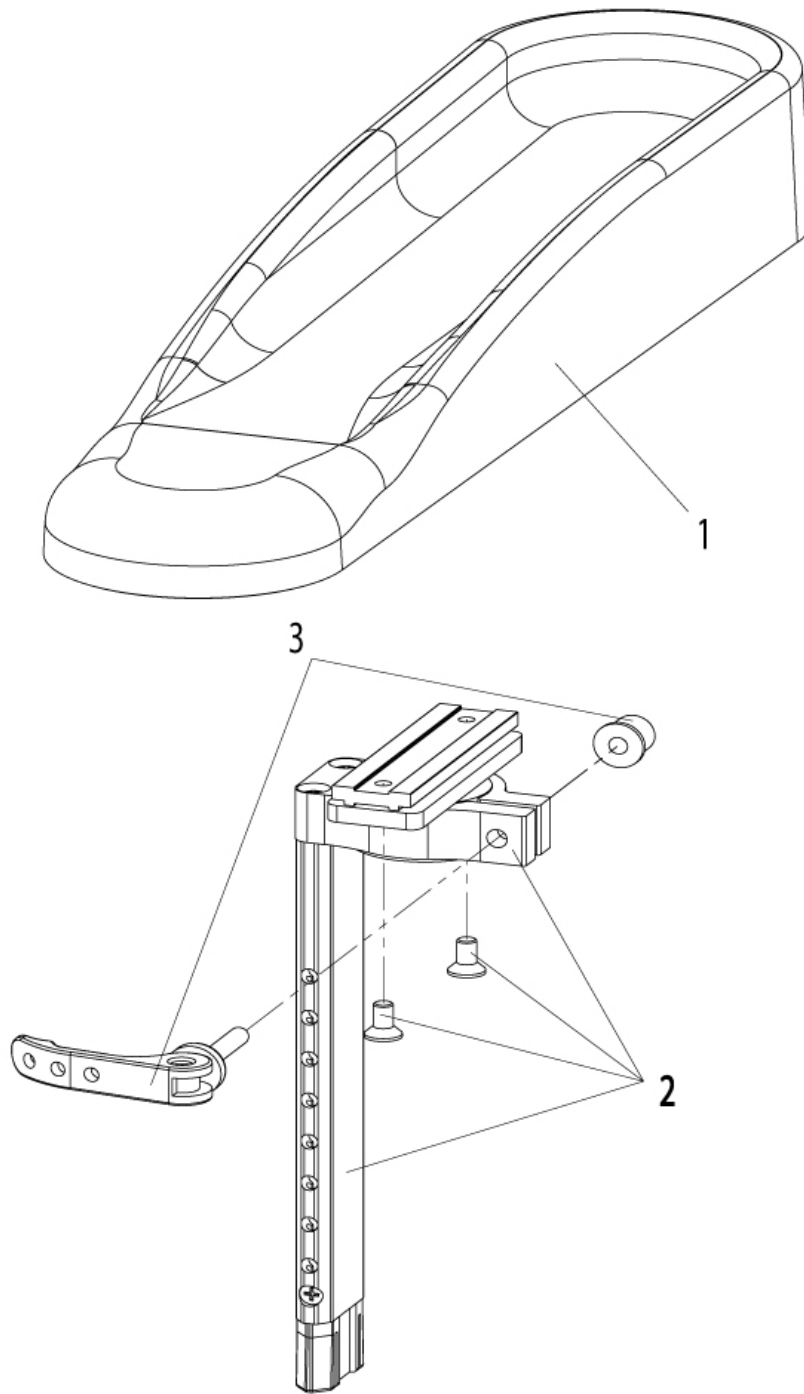
Pos.	Item number	Description
1-7	069701	Tray table, slide-on
4-7	069934	Screw-kit for tray table cpl.

Positioning Belt



Pos.	Item number	Description
1-2	069935	Positioning belt (incl. Screws)

Arm pad, Hemi Version



Pos.	Item number	Description	Remark/Qty
1-3	069735	Armrest, HP version with height and angle adjustable receiver cpl.	RH & LH usable