



Serial Number: _____

RGK TIGA Sub4

September 2017

Manufacturing Date: _____

Sunrise Medical Head Office: 237 Romina Drive, Unit 3
 Concord, ON
 L4K 4V3, Canada
 Telephone: +1.800.263.3390
 Fax: +1.800.561.5834
 mktcanada@sunmed.com www.sunrisemedical.ca

Distributor Name: _____
 Contact Name: _____
 Address: _____
 Postal Code: _____
 Country: _____
 Telephone: _____
 Email: _____

Dealers Name: _____
 Client's Name: _____
 Client's Weight: _____
 Client's Height: _____
 Client's Disability: _____

Purchase Order No: _____
 Delivery Address: _____
 Postal Code: _____
 Contact Name: _____
 Telephone: _____
 Email: _____

Notes/Comments:

Do Not Use for Specification Information

FOR RGK OFFICE USE ONLY

Distributor: _____
 A/C No: _____

Net Value: \$ _____
 Freight: \$ _____
 Invoice Value: \$ _____
 Payment Received: \$ _____

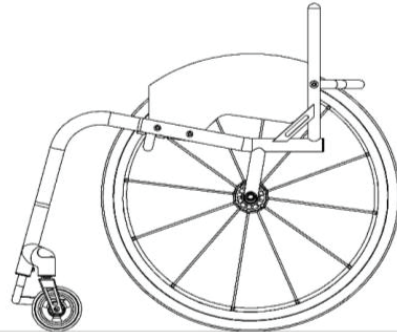
	Who	Date
OK to Quote:		
OK to Confirm:		
Document No:	DOC	

- Base product
- Standard configuration
- Mandatory information
- Option with no extra cost
- Information required for option
- Option with extra cost

SBAXZ010 TIGA Sub4 A7020
\$ 7,000.00

- XA070 Frame open design

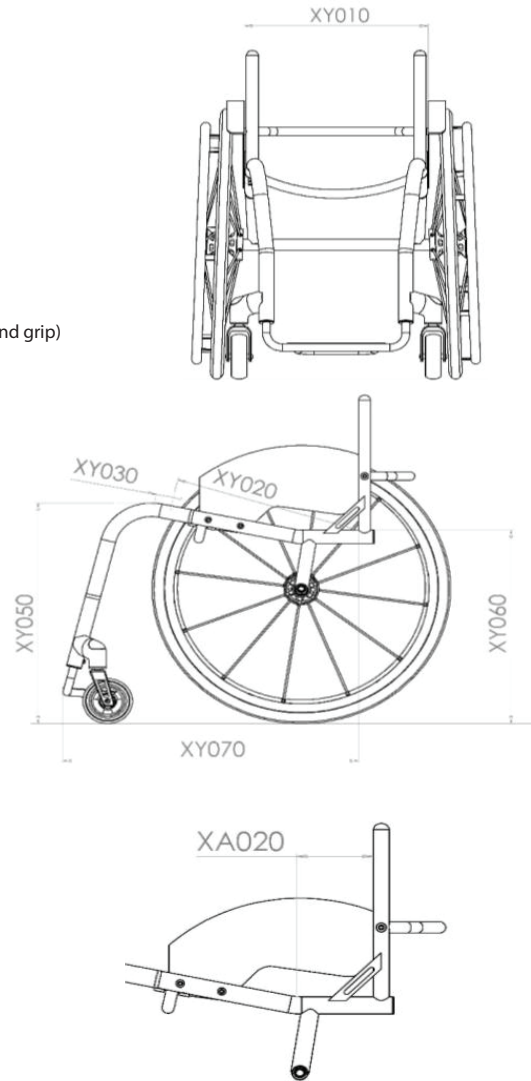
Max User Weight 110kg



- XW010 NC

KEY FRAME MEASUREMENTS

- XY010 Seat width (Inside of sideguards)
 (Max - 440mm) (Min - 250mm)
- XY020 Seat length
 (Max - 440mm) (Min - 250mm)
- XY030 Seat frame additional length (Provides additional leg support & hand grip)
 (Max - 440mm total seat)
- XY050 Front frame height
 (Max - 520mm) (Min - 380mm)
- XY060 Rear frame height
 (Max - 500mm) (Min - 360mm)
- XY070 Frame length
 (Min = XY020 + XY030 + 110mm) (Max - 625mm)
- XA020 Frame ergonomic seat \$ 93.00
 (Standard = 120mm)



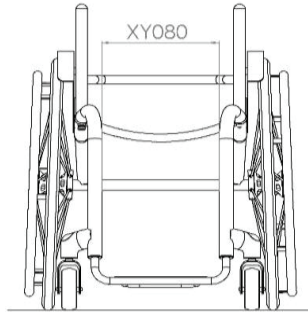
FRONT FRAME AND FOOTREST

Front Frame Options

XY080 Front seat taper design

Specify width
 mm

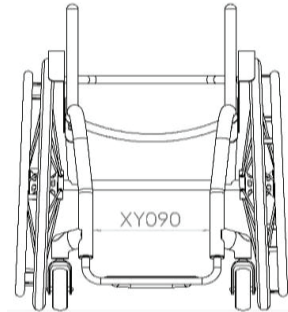
(Optional, to provide additional leg support / positioning)



Footrest width

Specify width
 mm

(When combined with XY080, dimensions must be smaller)



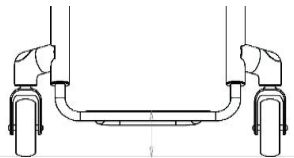
Footrest Design & Measurements (Choose One)

XY100 Footrest round design (Minimum 60mm)

Please indicate front footrest height:

60 80 100 120

Individual mm



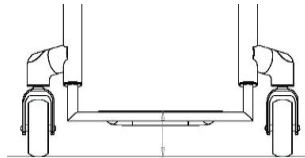
Castor Wheel Size	Max Height Achievable
4"	110mm

XY105 Footrest square design (Square design allows higher position) (Minimum 60mm)

Please indicate front footrest height:

60 80 100 120

Individual mm



Castor Wheel Size	Max Height Achievable
4"	130mm

Footrest Individual Measurements

Rear footrest height

mm

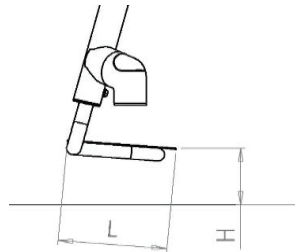
Optimize measurements (Std = Footrest height - 20mm)

Footrest length

mm

Maximum length 140mm

Optimize measurements (Std = 100mm)



Footrest Style

XB010 Footrest height adjustable lightweight tubular aluminium

Footrest Cover

XB045 Footrest cover lightweight carbon fibre

CASTOR WHEELS, FORKS & WHEEL LOCKS

Castor Wheels

- XC135 Castor wheel 4x1.25" aluminium centre with urethane tire frog legs
Choose colour below:



- | | |
|--------------------------------------------------------|-------------------------------------------------|
| <input type="checkbox"/> Silver hub & black tire (Std) | <input type="checkbox"/> Green hub & black tire |
| <input type="checkbox"/> Black hub & black tire | <input type="checkbox"/> Red hub & black tire |
| <input type="checkbox"/> Purple hub & black tire | <input type="checkbox"/> Blue hub & black tire |

Castor Forks

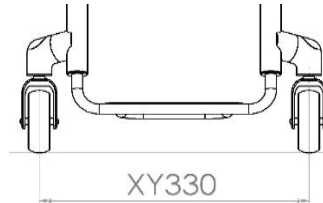
- XC190 Castor fork low ride daily use



- Black
- Silver

Castor Pin Width

- XY330 Castor pin width
- Optimize measurements
(Minimum width for clear castor rotation and maximum wheelbase length)



Wheel Lock Options

- | | |
|--------------------------------------------------------------------------------------------------|-------------------------------------------------|
| <input checked="" type="checkbox"/> SBAXD036 Wheel locks compact scissor with lightweight fixing | <input type="checkbox"/> XD010 Wheel locks omit |
|--------------------------------------------------------------------------------------------------|-------------------------------------------------|

SIDEGUARDS

Sideguard
Carbon Fibre Options

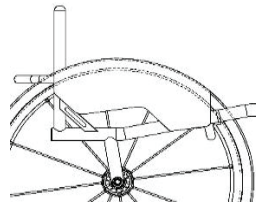
- XE055 Sideguards screw on lightweight carbon fibre

Sideguard Measurements
Optimized measurements

- Sideguard individual above tire
(Follow tire) max 25mm


 mm

- Sideguard level with tire
(Follow tire)



Sideguard with Fender
Carbon Fibre Options

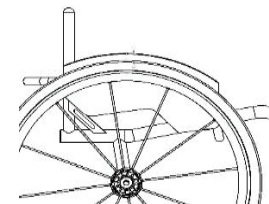
- XE065 Sideguards screw on lightweight carbon fibre with fender

Sideguard Measurements
Optimized measurements

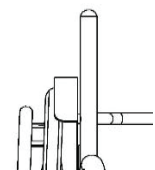
Fender sideguard height above tire (Min = 10mm)


 mm

- Optimise
10mm above tire (Std if not indicated)



- Fender sideguard to centre of tire



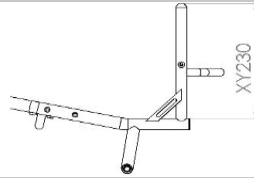
BACKREST

Backrest Height - Fixed

Backrest Design - Fixed

Backrest height fixed

Specify height mm



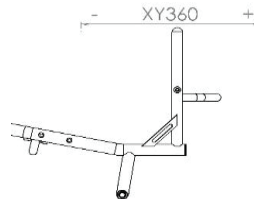
XG010 Backrest fixed (Non-folding)

Ergonomics - Rearward Positioning (Choose One)

XY360 Backrest angle

-5 -3 0 +3 +5

Individual Deg
(Max -10/+20 Deg)



XG100 Backrest ergonomic
\$ 113.00

Vertical height (Min 250mm) mm

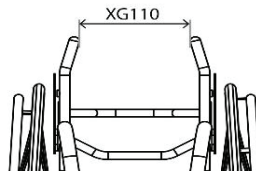
Rearward position mm



Ergonomics - Lateral Positioning (Choose One)

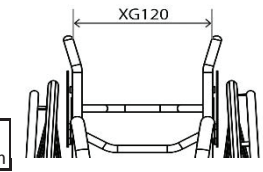
XG110 Backrest inward taper
\$ 113.00 (Above sideguards)

Width mm



XG120 Backrest outward flare
\$ 113.00 (Above sideguards)

Width mm



CAMBER BAR

Specify Camber Angle

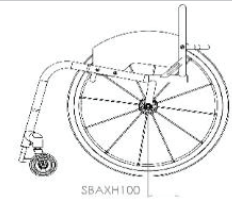
Fixed Centre of Gravity

XY390 Camber angle

1 2 3

SBAXH100 Camber bar fixed position welded into frame single post (25-125mm)

mm



FRAME FINISH OPTIONS

Frame and Footrest

SBAXN030 Finish frame brushed

SBAXN050 Finish frame polished

Accent Colour (Choose One)

Finish accent colour black

Finish accent colour red

Finish accent colour purple

Finish accent colour silver

Finish accent colour blue

UPHOLSTERY

Seat Upholstery

XP045 Upholstery seat sling Sub4 adjustable tension

Backrest Upholstery

XP035 Upholstery backrest Sub4 adjustable tension

Backrest Upholstery Stitching Options

Silver (Standard if not indicated)

Black

Blue

Red

Light blue

Purple

Other Upholstery

XS065 Accessory lightweight Calf Strap

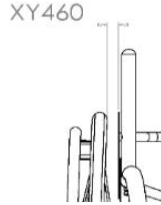
REAR WHEELS (* non certified weight options)

Wheel Size

- XY420** Wheel size 24" **XY430** Wheel size 25"

Wheel Gap

- XY460** Rear wheel gap
- 15 20 25



Wheel Options

- XK225** Wheel titanium quick release axle pin (pair)
- XK075** Wheel Spinerger BLXL 18 blade spoke daily, rivnut handrim mounting (select colour below - Note: Black hub only)



Spinerger Colour Options

- Black spoke / Black hub White spoke / Black Hub
- Red spoke / Black hub Blue spoke / Black hub
- Yellow spoke / Black hub Green spoke / Black hub
- Pink spoke / Black hub Orange spoke / black hub

- XK180** Spinerger spoke colour custom (Specify below)
- \$ 165.00
- Colour inside



Colour outside

Note: Supply picture for custom designs

- XK040** Wheel omit / supply without
 \$ (206.00) (Specify wheel type / size / tyre)



--

Handrim Position

- Handrim set narrow (Standard if no option selected)
- Handrim set wide

Handrim Options

- XL010** Handrim aluminium hard anodised 6 tab (Lightest Option) (Standard if no option selected)
- XL030** Handrim surge LT 6 tab
 \$ 484.00
- XL020** Handrim tetra grip 6 tab
 \$ 309.00
- XL100** Handrim para grip 6 tab
 \$ 309.00
- XL040** Handrim titanium 6 tab
 \$ 345.00
- XL050** Handrim stainless steel 6 tab
 \$ 191.00
- XL090** Handrim remove excess mounting tab (Recommended when XY460 is 20mm or less) (Narrow set only)
 \$ 113.00

Tire Options

- XM060** Tire Schwalbe One (Lightest option)
 \$ 103.00
- XM010** Kenda Tire High Pressure
- XM130** Kenda black
 \$ 21.00
- XM020** Tire Schwalbe Marathon Plus
 \$ 77.00
- XM040** Tire Shox solid airless black only (24",25" only)
 \$ 124.00
- Grey** (Standard if no option selected)
- Blue**
- Red**
- XM050** Tire Kenda K885 mountain bike tire (24",25" only)
 \$ 31.00

Inner Tube Valve Options

- XY500** Schraeder inner tube valve (Standard if no option selected)
- XY490** Presta inner tube valve



* Indicates items that are not part of the certified weight of the TIGA Sub4

CUSHION (non certified weight options)**

- XP080 Upholstery cushion foam with nylon cover
\$ 93.00



Cushion foam soft
(CMS040)

Cushion foam medium
(CMS050)

Cushion foam hard
(9lb recon)

Cushion thickness 50mm

Cushion thickness 75mm

Cushion thickness 100mm

- XP090 Upholstery cushion cover upgrade to Air Lite
\$ 77.00

- XP100 Upholstery cushion cover upgrade to leather
\$ 196.00



Leather colour black

Leather colour red

Leather colour grey

FRAME OPTIONS (non certified weight options)**

- XR060 Accessory welded calf strap mounting loops
\$ 118.00 (To locate calf strap on front frame)

- XR080 Accessory frontwheel assembly (Only with XB010, TGAXB080, XB150)
\$ 814.00

Frontwheel serial number

(Office use only)

ACCESSORIES (non certified weight options)**

- XP120 Upholstery frame protectors neoprene zip fasten with TIGA logo
\$ 65.00 (Nylon with velcro fasten with XR060)

- XR010 Accessory seat pouch velcro attach
\$ 46.00 (Black)

- XR020 Accessory large underseat storage bag (Black)
\$ 98.00

- XR090 Accessory toolkit

** indicates options that, when chosen, will not enable RGK to guarantee a Sub4kg product weight

OTHER (non certified weight options)**
Footrest

- XB200 Footrest with high level riser system
\$ 155.00

Please indicate front footrest height:

 mm

Castor wheels 3 and 5"

- XC150 Castor wheel 3x1.4" aluminium centre frog legs
\$ 180.00 (Silver hub and black urethane tire)
- XC070 Castor wheel 5x1.3" soft roll black
- XC100 Castor wheel 5" pneumatic
\$ 191.00 aluminium centre
- XC120 Castor wheel 5x1" aluminium centre frog legs
\$ 180.00 (Silver hub & black urethane tire)
- XC140 Castor wheel 5x1.4" aluminium centre frog legs
\$ 180.00 (Silver hub & black urethane tire)

Wheel Lock Options

- XD020 Wheel locks underseat scissor XD050 Wheel locks push to lock

Sideguards

- XE030 Sideguards screw on aluminium, indicate size on page 4
\$ 252.00

Backrest Options

- SBAXG020 Backrest folding with 2 position snap lock and angle adjust
\$ 295.00

Push handle Options

- XG070 Backrest with screw in push handles (N/A with XY245) \$ 175.00 XG080 Backrest with flip down push handles \$ 340.00

Anti-Tip Options

- XJ100 Anti tip single sport
\$ 390.00

Seat Upholstery

- XP040 Upholstery seat sling adjustable tension with straps XR050 Accessory carbon fibre seat plate in lieu of seat upholstery \$ 371.00

Backrest Upholstery

- XP050 Upholstery backrest Airtech adjustable tension with straps

Backrest Upholstery Leather Options (only with XP050)

- XP070 Upholstery upgrade to leather corners on side wings - (N/A with XG080) \$ 93.00
- Leather colour black (Standard if not Indicated)
 Leather colour red
 Leather colour grey

Backrest Upholstery Stitching Options (only with XP050)

- Silver (Standard if not indicated)
 Black
 Blue
- Red
 Light blue
 Purple

Backrest Upholstery Logo Options (only with XP050)

- Silver (Standard if not indicated)
 Black
 Blue
- Red
 Light blue
 Purple

Backrest Accessories (only with XP050)

- XP110 Upholstery backrest with zip fasten pocket \$ 98.00 XP170 Upholstery with individual embroidery \$ 155.00 (Please provide .jpeg file and positioning)

** indicates options that, when chosen, will not enable RGK to guarantee a Sub4kg product weight



Serial Number: _____

Manufacturing Date: _____/20____



NOTES

A large, empty rectangular box with a thin black border, intended for handwritten notes.