

|  |  |
|--|--|
| <b>Mark For:</b><br>_____<br>Date: _____<br>Dealer Acct #: _____<br>Dealer: _____<br>Dealer Contact: _____<br>Dealer Address: _____<br>Dealer City: _____ PR: _____ PC: _____<br>Dealer Phone: ( ) _____ Fax: ( ) _____<br>Confirmation Email: _____<br>Confirm Via: <input type="checkbox"/> Fax <input type="checkbox"/> Email | <b>Submitting for:</b> <input type="checkbox"/> Quote <input type="checkbox"/> Order<br>PO#: _____<br><br><b>ADDITIONAL SHIPPING INFORMATION</b><br>Ship To: _____<br>Attention: _____<br>Address: _____<br>Address: _____<br>Ship To City: _____ PR: _____ PC: _____<br>Ship To Phone: ( ) _____ Fax: ( ) _____ |
|--|--|

|            |            |       |            |            |       |
|------------|------------|-------|------------|------------|-------|
| ✓ Option # | Definition | Price | ✓ Option # | Definition | Price |
|------------|------------|-------|------------|------------|-------|

### 1. FRAME STYLE & SETUP

| Base Model               |         |              |            |
|--------------------------|---------|--------------|------------|
| <input type="checkbox"/> | 145WM13 | GT (265 lbs) | \$3,477.00 |

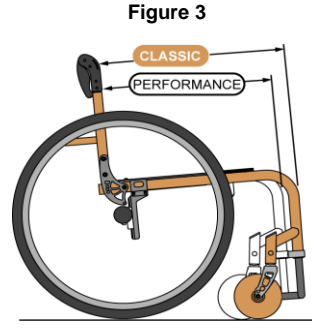
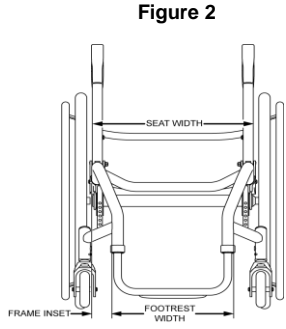
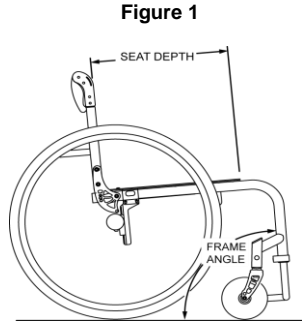
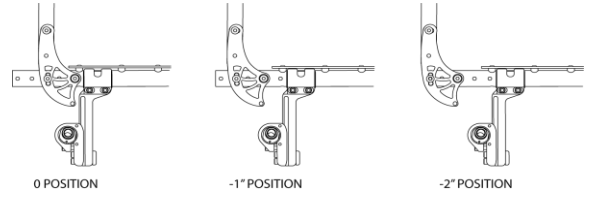
| Frame Angle (see Figure 1) |        |     |    |
|----------------------------|--------|-----|----|
| <input type="checkbox"/>   | 145FA1 | 75° | NC |
| <input type="checkbox"/>   | 145FA8 | 80° | NC |
| <input type="checkbox"/>   | 145FA2 | 85° | NC |

| Frame Inset Per Side (See Figure 2) |        |                                  |    |
|-------------------------------------|--------|----------------------------------|----|
| <input type="checkbox"/>            | 145FF1 | 0"                               | NC |
| <input type="checkbox"/>            | 145FF2 | 1" (NA w/ 12" wide)              | NC |
| <input type="checkbox"/>            | 145FF3 | 2" (NA w/ 12", 13", or 14" wide) | NC |

| Frame Inset | Footrest Width               |
|-------------|------------------------------|
| 0           | Subtract 0 from Frame Width  |
| 1"          | Subtract 2" from Frame Width |
| 2"          | Subtract 4" from Frame Width |

| Frame Style (See Figure 3)             |                          |  |            |
|--|--------------------------|--|------------|
| <i>XTR Suspension N/A with Xtender</i> |                          |  |            |
| <input type="checkbox"/>               | 145FS34                  | Classic Frame  | NC         |
| <input type="checkbox"/>               | 145FS35                  | Performance Frame  | NC         |
| <input type="checkbox"/>               | 145FS36                  | XTR Suspension Frame <i>Only available in Performance Frame Set Up</i> | \$1,061.00 |
|  | <input type="checkbox"/> | 145SK1 Light Shock (up to 180 lbs.)                                    | NC         |
|  | <input type="checkbox"/> | 145SK3 Heavy Shock (up to 265 lbs.)                                    | NC         |

| Depth Adjustable Backrest (Optional)   |         |   |          |
|--|---------|---|----------|
| <i>See Figure 5 Depth Adjust Backrest extends the frame rear of the seat sling, select a factory setting. NA on 19" and 20" Seat Depths.</i> |         |   |          |
| <input type="checkbox"/>   | 145DP02 | 0 Setting Backrest at standard position, field adjustable to -1" or -2" | \$178.00 |
| <input type="checkbox"/>   | 145DP03 | -1 Setting Backrest -1" offset, field adjustable to flush or -2"        | \$178.00 |
| <input type="checkbox"/>   | 145DP04 | -2 Setting Backrest -2" offset, field adjustable to flush or -1"        | \$178.00 |



**Classic Frame** - Traditional GT seat sling to front frame bend angle dimensions.

**Performance Frame** - Seat Sling to front frame bend angle is 1.5" shorter than the classic position. Front of back cane post to front edge of seat sling will remain the same for both Classic and Performance.

## 1. FRAME STYLE & SETUP (CONT)

### Seat Width

See Figure 2. Measure from outside of seat tube to outside of opposite seat tube. XTR and J3 Back NA w/ 12" and 13" widths

|                          |        |     |    |
|--------------------------|--------|-----|----|
| <input type="checkbox"/> | 145S3  | 12" | NC |
| <input type="checkbox"/> | 145S4  | 13" | NC |
| <input type="checkbox"/> | 145S5  | 14" | NC |
| <input type="checkbox"/> | 145S6  | 15" | NC |
| <input type="checkbox"/> | 145S7  | 16" | NC |
| <input type="checkbox"/> | 145S8  | 17" | NC |
| <input type="checkbox"/> | 145S9  | 18" | NC |
| <input type="checkbox"/> | 145S10 | 19" | NC |
| <input type="checkbox"/> | 145S11 | 20" | NC |

### Seat Depth

See Figure .1 Measures from front of back post to front edge of seat sling. Seat sling will be 1" shorter than depth ordered, but actual seat depth will remain the same as ordered.

|                          |         |     |          |
|--------------------------|---------|-----|----------|
| <input type="checkbox"/> | 145SD5  | 12" | NC       |
| <input type="checkbox"/> | 145SD6  | 13" | NC       |
| <input type="checkbox"/> | 145SD7  | 14" | NC       |
| <input type="checkbox"/> | 145SD8  | 15" | NC       |
| <input type="checkbox"/> | 145SD9  | 16" | NC       |
| <input type="checkbox"/> | 145SD10 | 17" | NC       |
| <input type="checkbox"/> | 145SD11 | 18" | NC       |
| <input type="checkbox"/> | 145SD12 | 19" | NC       |
| <input type="checkbox"/> | 145SD13 | 20" | \$268.00 |

## 2. FRONT SEAT HEIGHT SET UP

### Front Seat Height

See Figures 4 and 5

|                          |         |       |    |                          |         |       |    |
|--------------------------|---------|-------|----|--------------------------|---------|-------|----|
| <input type="checkbox"/> | 145SH14 | 16"   | NC | <input type="checkbox"/> | 145SH20 | 18.5" | NC |
| <input type="checkbox"/> | 145SH15 | 16.5" | NC | <input type="checkbox"/> | 145SH21 | 19"   | NC |
| <input type="checkbox"/> | 145SH16 | 17"   | NC | <input type="checkbox"/> | 145SH23 | 19.5" | NC |
| <input type="checkbox"/> | 145SH17 | 17.5" | NC | <input type="checkbox"/> | 145SH24 | 20"   | NC |
| <input type="checkbox"/> | 145SH18 | 18"   | NC | <input type="checkbox"/> | 145SH26 | 20.5" | NC |
| <input type="checkbox"/> |         |       |    | <input type="checkbox"/> | 145SH27 | 21"   | NC |

### Front to Rear Seat Height Differences

| Frame Depth | Max Seat Squeeze |
|-------------|------------------|
| 12"/13"     | 2.5"             |
| 14"/15"     | 3.0"             |
| 16"/17"     | 3.5"             |
| 18"/19"     | 4.0"             |
| 20"         | 4.5"             |

### Caster Wheels

|                          |         |                                     |         |
|--------------------------|---------|-------------------------------------|---------|
| <input type="checkbox"/> | 145CW1  | 3" Micro                            | NC      |
| <input type="checkbox"/> | 145CW3  | 4" Low Profile Polyurethane         | NC      |
| <input type="checkbox"/> | 145CW31 | 4" Micro Lighted                    | \$95.00 |
| <input type="checkbox"/> | 145CW72 | 4" x 1" Aluminum Polyurethane       | NC      |
| <input type="checkbox"/> | 145CW44 | 4" x 1.25" Semi Pneumatic           | NC      |
| <input type="checkbox"/> | 145CW64 | 4" x 1.5" Aluminum Soft Roll        | \$95.00 |
| <input type="checkbox"/> | 145CW5  | 5" Low Profile Polyurethane         | NC      |
| <input type="checkbox"/> | 145CW51 | 5" Micro Lighted                    | \$95.00 |
| <input type="checkbox"/> | 145CW6  | 5" Soft Roll (Grey) NA w/ Frog Legs | \$95.00 |
| <input type="checkbox"/> | 145CW65 | 5"x 1" Aluminum Polyurethane        | NC      |
| <input type="checkbox"/> | 145CW7  | 5"x 1.5" Semi Pneumatic             | \$95.00 |
| <input type="checkbox"/> | 145CW66 | 5"x 1.5" Aluminum Soft Roll         | \$95.00 |
| <input type="checkbox"/> | 145CW34 | 6" Polyurethane                     | NC      |
| <input type="checkbox"/> | 145CW35 | 6"x 1.5" Semi Pneumatic             | \$95.00 |
| <input type="checkbox"/> | 145CW68 | 6"x 1.5" Aluminum Soft Roll         | \$95.00 |

### Caster Fork

See Figures 5 and 6

|                          |         |   |    |
|--------------------------|---------|---|----|
| <input type="checkbox"/> | 145CF27 | Short Fork                                | NC |
| <input type="checkbox"/> | 145CF45 | Short Wide Fork (w/ 1.25" or 1.5" caster) | NC |
| <input type="checkbox"/> | 145CF32 | Tall Wide Fork                            | NC |

### Caster Fork Suspension

|                          |         |                                     |          |
|--------------------------|---------|-------------------------------------|----------|
| <input type="checkbox"/> | 145CF53 | Frog Legs 0 weight to 100 lbs       | \$500.00 |
| <input type="checkbox"/> | 145CF54 | Frog Legs 101 lbs weight to 190 lbs | \$500.00 |
| <input type="checkbox"/> | 145CF55 | Frog Legs 191 lbs weight to 265 lbs | \$500.00 |

Figure 4

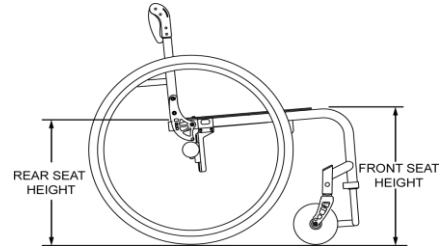


Figure 5

| Front STFH | Fork         |                         |           |           |               |
|------------|--------------|-------------------------|-----------|-----------|---------------|
|            | Short/Single | Short Wide              | Tall Wide | Frog Legs |               |
| Caster     | 3"           | 16"-20"                 | 16"-20.5" | 16.5"-21" | 17.5"-21"     |
|            | 4"           | 16"-20.5"               | 16.5"-21" | 16.5"-21" | 17.5"-21"     |
|            | 5"           | 17", 18", 19", 20", 21" | 17"-21"   | 17"-21"   | 18.5"-21"     |
|            | 6"           | NA                      | NA        | 18"-21"   | 19", 20", 21" |

Figure 6

| Caster Size     | Fork                   | Tubular/Flat           |      |      | Flared |    |      | Platform |      |    |
|-----------------|------------------------|------------------------|------|------|--------|----|------|----------|------|----|
|                 |                        | Inset                  |      |      | Inset  |    |      | Inset    |      |    |
|                 |                        | 0"                     | 1"   | 2"   | 0"     | 1" | 2"   | 0"       | 1"   | 2" |
| 75° Frame Angle | 3"                     | Short, Short W, Tall W |      |      | NA     |    |      |          |      |    |
|                 |                        | Single Sided           |      |      | NA     |    |      |          |      |    |
|                 |                        | Froglegs               |      |      | NA     |    |      |          |      |    |
|                 | 4"                     | Short, Short W, Tall W |      |      | NA     |    |      |          |      |    |
|                 |                        | Single Sided           |      |      | NA     |    |      |          |      |    |
|                 |                        | Froglegs               |      |      | NA     | 2" |      |          |      |    |
| 5"              | Short, Short W, Tall W | NA                     |      |      | NA     | NA |      |          |      |    |
|                 | Single Sided           | NA                     |      |      | NA     | NA |      |          |      |    |
|                 | Froglegs               | NA                     |      |      | NA     | NA |      | .5"      |      |    |
| 6"              | Tall Wide              | NA                     |      |      | NA     | NA |      | 2"       |      |    |
|                 | Froglegs               | NA                     | NA   |      | NA     | NA | 1.5" | NA       | .5"  |    |
|                 | Short, Short W, Tall W |                        |      |      | NA     |    |      |          |      |    |
| 80° Frame Angle | 3"                     | Short, Short W, Tall W |      |      | NA     |    |      |          |      |    |
|                 |                        | Single Sided           |      |      | NA     |    |      |          |      |    |
|                 |                        | Froglegs               |      |      | NA     |    |      |          |      |    |
|                 | 4"                     | All NC Forks           |      |      |        | NA | NA   |          |      |    |
|                 |                        | Single Sided           |      |      |        | NA | NA   |          |      |    |
|                 |                        | Froglegs               |      |      |        | NA | NA   |          |      |    |
| 5"              | Short, Short W, Tall W | NA                     |      |      | NA     | NA |      | 1"       |      |    |
|                 | Single Sided           | NA                     |      |      | NA     | NA |      | 1"       |      |    |
|                 | Froglegs               | NA                     |      |      | NA     | NA |      | 2"       |      |    |
| 6"              | Wide                   | NA                     | 1"   |      | NA     | NA |      | NA       | 1"   |    |
|                 | Froglegs               | NA                     | NA   |      | NA     | NA | NA   | NA       | 2"   |    |
|                 | All NC Forks           |                        |      |      | NA     | NA |      |          |      |    |
| 85° Frame Angle | 3"                     | Short, Short W, Tall W |      |      | NA     |    |      |          |      |    |
|                 |                        | Single Sided           |      |      | NA     |    |      |          |      |    |
|                 |                        | Froglegs               |      |      | NA     |    |      |          |      |    |
|                 | 4"                     | Short, Short W, Tall W |      |      |        | NA |      |          | .5"  |    |
|                 |                        | Single Sided           |      |      |        | NA |      |          | .5"  |    |
|                 |                        | Froglegs               |      |      |        | NA |      |          | .5"  |    |
| 5"              | Short                  | NA                     | .5"  |      | NA     | NA |      | 2"       | .5"  |    |
|                 | Short Wide/Tall Wide   | NA                     | 1"   |      | NA     | NA |      | 2"       | .5"  |    |
|                 | Single Sided           | NA                     | 1"   |      | NA     | NA |      | 2"       | .5"  |    |
| 6"              | Froglegs               | NA                     | 1.5" |      | NA     | NA |      | NA       | 1.5" |    |
|                 | Tall Wide              | NA                     | 2"   |      | NA     | NA |      | NA       | 2"   |    |
|                 | Froglegs               | NA                     | NA   | 1.5" | NA     | NA | NA   | NA       | 1.5" |    |

= Go     
  = No Go     
 # = "Soft" Go with limited seat angle  
 Min seat angle listed in cell

### 3. FOOTPLATE OPTIONS

#### Footrest

Heel loop or leg strap not included, See Footplate Options Section

|                          |         |  |         |
|--------------------------|---------|--|---------|
| <input type="checkbox"/> | 145F228 | Aluminum Tubular   |         |
| <input type="checkbox"/> | 145F229 | Aluminum Tubular Long  | NC      |
| <input type="checkbox"/> | 145F230 | Aluminum Tubular w/ Flat Cover   | NC      |
| <input type="checkbox"/> | 145F231 | Aluminum Tubular Long w/ Flat Cover  | NC      |
| <input type="checkbox"/> | 145F234 | Aluminum Platform (Ang. Adj.)  | \$95.00 |
| <input type="checkbox"/> | 145F235 | Aluminum Platform Long (Ang. Adj.)   | \$95.00 |
| <input type="checkbox"/> | 145F278 | High Mount Platform NA w/ 12", 13" W with 1" or 2" Inset or 14" or 15" W with 2" insets. | NC      |

#### Adaptive Platform Spacer

NA with Tubular Footrest

|                          |        |                             |          |
|--------------------------|--------|-----------------------------|----------|
| <input type="checkbox"/> | 145AD1 | Adaptive Platform 2" Spacer | \$158.00 |
| <input type="checkbox"/> | 145AD2 | Adaptive Platform 4" Spacer | \$158.00 |
| <input type="checkbox"/> | 145AD3 | Adaptive Platform 6" Spacer | \$158.00 |

#### Footrest Options

|                          |         |  |         |
|--------------------------|---------|--|---------|
| <input type="checkbox"/> | 145HL5  | Leg Strap  | \$53.00 |
| <input type="checkbox"/> | 145DI01 | Removable Snap On Cover NA w/ Platform Footrests | NC      |
| <input type="checkbox"/> | 145DI02 | Wear Pads NA w/ Platform Footrests               | \$41.00 |
| <input type="checkbox"/> | 145A179 | Positioning Plates for Platform Footrest         | \$68.00 |
| <input type="checkbox"/> | 145A54  | Extra Leg Strap                                  | \$53.00 |

### 4. REAR SEAT HEIGHT SET UP

#### Rear Seat Height

14" & 14.5" only available with 20" rear wheel. NA with Amputee Axle Plate.

13" & 13.5" only available with 20" or 22" rear wheel. NA with Amputee Axle Plate.

|                          |         |       |    |
|--------------------------|---------|-------|----|
| <input type="checkbox"/> | 145RH11 | 13"   | NC |
| <input type="checkbox"/> | 145RH12 | 13.5" | NC |
| <input type="checkbox"/> | 145RH13 | 14"   | NC |
| <input type="checkbox"/> | 145RH14 | 14.5" | NC |
| <input type="checkbox"/> | 145RH15 | 15"   | NC |
| <input type="checkbox"/> | 145RH16 | 15.5" | NC |
| <input type="checkbox"/> | 145RH17 | 16"   | NC |
| <input type="checkbox"/> | 145RH18 | 16.5" | NC |
| <input type="checkbox"/> | 145RH19 | 17"   | NC |
| <input type="checkbox"/> | 145RH26 | 17.5" | NC |
| <input type="checkbox"/> | 145RH20 | 18"   | NC |
| <input type="checkbox"/> | 145RH27 | 18.5" | NC |
| <input type="checkbox"/> | 145RH21 | 19"   | NC |
| <input type="checkbox"/> | 145RH37 | 19.5" | NC |
| <input type="checkbox"/> | 145RH22 | 20"   | NC |

#### Rear Wheel Size

Ultra Lightweight Wheels only available with aluminum anodized handrim

Contact Built 4 Me for Spinerger color options

|                          |         |                                   |          |
|--------------------------|---------|-----------------------------------|----------|
| <input type="checkbox"/> | 145RW3  | 20" Mag Wheel                     | NC       |
| <input type="checkbox"/> | 145RW8  | 22" Mag Wheel                     | NC       |
| <input type="checkbox"/> | 145RW1  | 24" Mag Wheel                     | NC       |
| <input type="checkbox"/> | 145RW90 | 20" Lite Spoke Wheel              | \$278.00 |
| <input type="checkbox"/> | 145RW91 | 22" Lite Spoke Wheel              | \$278.00 |
| <input type="checkbox"/> | 145RW92 | 24" Lite Spoke Wheel              | NC       |
| <input type="checkbox"/> | 145RW93 | 25" Lite Spoke Wheel              | NC       |
| <input type="checkbox"/> | 145RW94 | 26" Lite Spoke Wheel              | \$105.00 |
| <input type="checkbox"/> | 145RW77 | 22" Ultra Lightweight Spoke Wheel | \$310.00 |
| <input type="checkbox"/> | 145RW78 | 24" Ultra Lightweight Spoke Wheel | \$310.00 |
| <input type="checkbox"/> | 145RW28 | 22" Spinerger SPOX Black          | \$751.00 |
| <input type="checkbox"/> | 145RW42 | 24" Spinerger SPOX Black          | \$751.00 |
| <input type="checkbox"/> | 145RW96 | 25" Spinerger SPOX Black          | \$751.00 |
| <input type="checkbox"/> | 145RW44 | 26" Spinerger SPOX Black          | \$751.00 |
| <input type="checkbox"/> | 145RW32 | 22" Spinerger LX Black            | \$966.00 |
| <input type="checkbox"/> | 145RW88 | 24" Spinerger LX Black            | \$966.00 |
| <input type="checkbox"/> | 145RW99 | 25" Spinerger LX Black            | \$966.00 |
| <input type="checkbox"/> | 145RW40 | 26" Spinerger LX Black            | \$966.00 |
| <input type="checkbox"/> | 145RW50 | 24" Mountain                      | \$342.00 |

#### Xtender Power Assist

**NEW!**

RSH 17.5"-19.5" with 22" wheels, RSH 18.5"-20" with 24" wheels 0 camber, NA w/ Amputee Axle. 22" & 24" wheels only. Not available with XTR or standard rear suspension. Anti-Tips no charge with Xtender. Dual Drive mode available w/B4ME

|                          |        |  |             |
|--------------------------|--------|--|-------------|
| <input type="checkbox"/> | 145XT6 | 22" Xtender Power Assist JWX-2 NICKEL  | \$8,695.00  |
| <input type="checkbox"/> | 145XT7 | 22" Xtender Power Assist JWX-2 LITHIUM | \$10,095.00 |
| <input type="checkbox"/> | 145XT4 | 24" Xtender Power Assist JWX-2 NICKEL  | \$8,695.00  |
| <input type="checkbox"/> | 145XT5 | 24" Xtender Power Assist JWX-2 LITHIUM | \$10,095.00 |

Please select one of the following handrim options

|                          |        |                 |    |
|--------------------------|--------|-----------------|----|
| <input type="checkbox"/> | 145XH5 | Plastic Coated  | NC |
| <input type="checkbox"/> | 145XH6 | Stainless Steel | NC |

#### Xtender - Other Options

|                          |         |                                   |            |
|--------------------------|---------|-----------------------------------|------------|
| <input type="checkbox"/> | 145XA10 | Spare NiMH Power Pack - NICKEL    | \$1,675.00 |
| <input type="checkbox"/> | 145XA11 | Spare Li-ion Power Pack - LITHIUM | \$2,155.00 |

#### Xtender Wheel Options

|                          |        |                                   |          |
|--------------------------|--------|-----------------------------------|----------|
| <input type="checkbox"/> | 145XA8 | SPARE 22" Lite Spoke Pneu Alum    | NC       |
| <input type="checkbox"/> | 145XA9 | SPARE 22" Lite Spoke Pneu Plastic | \$125.00 |
| <input type="checkbox"/> | 145XA2 | SPARE 24" Lite Spoke Pneu Alum    | NC       |
| <input type="checkbox"/> | 145XA4 | SPARE 24" Lite Spoke Pneu Plastic | \$125.00 |

#### Rear Wheel Tire

See Availability Matrix

|                          |         |  |          |
|--------------------------|---------|--|----------|
| <input type="checkbox"/> | 145RT1  | Pneumatic                                    | NC       |
| <input type="checkbox"/> | 145RT2  | Pneumatic w/ Airless Insert N/A with Xtender | \$215.00 |
| <input type="checkbox"/> | 145RT3  | Full Poly                                    | NC       |
| <input type="checkbox"/> | 145RT6  | High-Pressure Clincher                       | \$90.00  |
| <input type="checkbox"/> | 145RT27 | Knobby V- Trak                               | NC       |
| <input type="checkbox"/> | 145RT21 | Schwalbe Marathon Plus Evolution             | \$137.00 |
| <input type="checkbox"/> | 145RT38 | SHOX Performance Poly                        | \$126.00 |
| <input type="checkbox"/> | 145RT12 | Mountain Tire                                | NC       |

#### 4. REAR SEAT HEIGHT SET UP (CONT)

##### Rear Tire & Wheel Matrix

| Tire  | Wheel | Mag      | Lite Spoke  | Ultra Lightweight | Spinergy    |
|---|-------|----------|-------------|-------------------|-------------|
| Pneumatic                                     |       | 20,22,24 | 20,22,24,26 |                   | 22,24,26    |
| Pneumatic w/ Airless Insert                   |       | 20,22,24 | 20,22,24    |                   | 22,24       |
| Full Poly                                     |       | 20,22,24 | 20,22,24    |                   |             |
| High-Pressure Clincher                        |       |          | 22,24,25,26 | 22,24             | 22,24,25,26 |
| Knobby V Trak by Kenda                        |       |          | 24          |                   | 24          |
| Schwalbe Marathon                             |       |          | 24,25,26    |                   | 24,25,26    |
| SHOX Performance Poly                         |       | 24       | 24,25       |                   | 24,25       |
| 22" = 489 mm 24" = 540 mm 25" = 559 26" = 590 |       |          |             |                   |             |

##### Handrim

Aluminum and Plastic are not available on all wheels in all sizes. Natural Fits are NA w/ 26".  
Handrim Selection not applicable with Xtender Power Assist

|                          |         |  |          |
|--------------------------|---------|--|----------|
| <input type="checkbox"/> | 145HR1  | Aluminum Anodized  | NC       |
| <input type="checkbox"/> | 145HR4  | Plastic Coated NA w/ 25" & 26"<br>Lite Spoke Wheels                        | \$137.00 |
| <input type="checkbox"/> | 145HR22 | Natural Fit - Standard Grip  | \$336.00 |
| <input type="checkbox"/> | 145HR23 | Natural Fit - Super Grip   | \$378.00 |
| <input type="checkbox"/> | 145HR30 | Natural Fit LT - Standard Grip   | \$452.00 |
| <input type="checkbox"/> | 145HR31 | Natural Fit LT - Super Grip  | \$515.00 |
| <input type="checkbox"/> | 145HR24 | Spinergy Flex Rim Only available on<br>Spinergy LX wheels 24" & 25"        | \$610.00 |
| <input type="checkbox"/> | 145HR8  | 8 Oblique Projections NA w/ Kik tires,<br>only available with Mag or Spoke | \$126.00 |
| <input type="checkbox"/> | 145HR7  | Omit Handrim<br>NA w/ Ultra Lightweight Wheels                             | NC       |

##### Axle

|                          |         |  |    |
|--------------------------|---------|--|----|
| <input type="checkbox"/> | 145AX1  | Quick Release Steel                                  | NC |
| <input type="checkbox"/> | 145AX13 | Quad Quick Release<br>Only available with Mag wheels | NC |

##### Axle Plates

Selection not required for XTR Suspension

|                          |         |   |          |
|--------------------------|---------|---|----------|
| <input type="checkbox"/> | 145AL40 | Standard Short (COG 1" to 4.5")<br>Some limitations with STFH | NC       |
| <input type="checkbox"/> | 145AL43 | Standard Long (COG 1" to 4.5")                                | NC       |
| <input type="checkbox"/> | 145AL37 | Amputee (COG -1" to 2.5")                                     | \$237.00 |
| <input type="checkbox"/> | 145AL38 | Suspension (COG-.5 to +3)<br>NA with XTR Suspension Frame     | \$568.00 |
| <input type="checkbox"/> | 145AL39 | Xtender (COG 1")  | NC       |

| Rear Seat to Floor Height | Short Axle Plate- Wheel Size: |      |      |          |      |
|---------------------------|-------------------------------|------|------|----------|------|
|                           | 20                            | 22   | 24   | 24 (559) | 26   |
| 13                        | 14                            | 15   | 15.5 | 16       | 16.5 |
| 13.5                      | 14.5                          | 15.5 | 16   | 17.5     | 18   |
| 15                        | 16                            | 17   | 17.5 | 18       | 18.5 |
| 15.5                      | 16.5                          | 17.5 | 18   | 18.5     | 19   |
| 16                        | 17                            | 18   | 18.5 | 19       |      |

##### Rear Suspension Rating

Selection not required for XTR Suspension

|                          |         |                                      |    |
|--------------------------|---------|--------------------------------------|----|
| <input type="checkbox"/> | 145SV04 | From 0 weight to 100 lbs (Yellow)    | NC |
| <input type="checkbox"/> | 145SV05 | From 101 lbs weight to 190 lbs (Red) | NC |

##### Camber

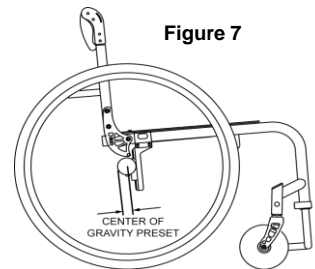
0,3,6 available with std frame. 0,4,8 available with XTR frame

|                          |        |    |    |
|--------------------------|--------|----|----|
| <input type="checkbox"/> | 145CI1 | 0° | NC |
| <input type="checkbox"/> | 145CI2 | 3° | NC |
| <input type="checkbox"/> | 145CI3 | 4° | NC |
| <input type="checkbox"/> | 145CI4 | 6° | NC |
| <input type="checkbox"/> | 145CI5 | 8° | NC |

##### Center of Gravity

Measure from front of back post to center of rear axle. XTR Suspension Frame will be factory set at 1.5", Xtender 1" - 4"

|                          |         |      |    |
|--------------------------|---------|------|----|
| <input type="checkbox"/> | 145CC11 | -1"  | NC |
| <input type="checkbox"/> | 145CC10 | -.5" | NC |
| <input type="checkbox"/> | 145CC12 | 0"   | NC |
| <input type="checkbox"/> | 145CC1  | .5"  | NC |
| <input type="checkbox"/> | 145CC2  | 1"   | NC |
| <input type="checkbox"/> | 145CC3  | 1.5" | NC |
| <input type="checkbox"/> | 145CC4  | 2"   | NC |
| <input type="checkbox"/> | 145CC5  | 2.5" | NC |
| <input type="checkbox"/> | 145CC6  | 3"   | NC |
| <input type="checkbox"/> | 145CC7  | 3.5" | NC |
| <input type="checkbox"/> | 145CC8  | 4"   | NC |
| <input type="checkbox"/> | 145CC9  | 4.5" | NC |



#### 5. BACKREST

##### Back Type

|                          |         |                             |    |
|--------------------------|---------|-----------------------------|----|
| <input type="checkbox"/> | 145BT3  | Non-Folding Backrest        | NC |
| <input type="checkbox"/> | 145BT82 | Folding Lock Down Angle Adj | NC |

##### Height Adjustable Backrest

|                          |         |                       |    |
|--------------------------|---------|-----------------------|----|
| <input type="checkbox"/> | 145B110 | 10" - 14" Back Height | NC |
| <input type="checkbox"/> | 145B127 | 12" - 16" Back Height | NC |
| <input type="checkbox"/> | 145B111 | 14" - 18" Back Height | NC |
| <input type="checkbox"/> | 145B137 | 16" - 20" Back Height | NC |

##### Back Upholstery

|                          |         |                                    |          |
|--------------------------|---------|------------------------------------|----------|
| <input type="checkbox"/> | 145BU1  | Standard Upholstery                | NC       |
| <input type="checkbox"/> | 145BU8  | Adjustable                         | \$178.00 |
| <input type="checkbox"/> | 145BU57 | Vented                             | NC       |
| <input type="checkbox"/> | 145BU14 | Omit Upholstery (Use w/ JAY Backs) | -\$19.00 |

##### JAY J3 Back

|                          |         |             |        |
|--------------------------|---------|-------------|--------|
| <input type="checkbox"/> | 145JB01 | JAY J3 Back | See OF |
|--------------------------|---------|-------------|--------|

##### Military Service Patches

Only available on tension adjustable upholstery and Jay 3 Back

|                          |         |                                   |    |
|--------------------------|---------|-----------------------------------|----|
| <input type="checkbox"/> | 145VU1  | US Marines Patch                  | NC |
| <input type="checkbox"/> | 145VU2  | US Army Patch                     | NC |
| <input type="checkbox"/> | 145VU3  | US Navy Patch                     | NC |
| <input type="checkbox"/> | 145VU4  | US Air Force Patch                | NC |
| <input type="checkbox"/> | 145VU12 | US Coast Guard                    | NC |
| <input type="checkbox"/> | 145VU5  | Purple Heart                      | NC |
| <input type="checkbox"/> | 145VU8  | Purple Heart with Marines Patch   | NC |
| <input type="checkbox"/> | 145VU9  | Purple Heart with Army Patch      | NC |
| <input type="checkbox"/> | 145VU10 | Purple Heart with Navy Patch      | NC |
| <input type="checkbox"/> | 145VU11 | Purple Heart with Air Force Patch | NC |
| <input type="checkbox"/> | 145VU13 | Purple Heart with Coast Guard     | NC |

##### Push Handles

|                          |        |  |          |
|--------------------------|--------|--|----------|
| <input type="checkbox"/> | 145PH6 | Integral Push Handles  | NC       |
| <input type="checkbox"/> | 145PH5 | Fold-Down Push Handles NA w/ 10-14"<br>Back Height or Standard Upholstery. | \$147.00 |
| <input type="checkbox"/> | 145PH2 | Omit Push Handles  | NC       |

ORDER INFORMATION: Customer Service: 800-333-4000 Fax: 800-300-7502 www.sunrisemedical.com

Specifications are subject to change without notice. Copyright © 2011 Sunrise Medical (US) LLC. (12.11) Quickie GT, MK-100048 REV 3

## 5. ARMREST

### Armrest - Padded Swing Away

Includes angle adjustable receiver hardware. Some limitations may exist w/ integral push handles, some RSHs and wheel sizes

|                          |         |                              |          |
|--------------------------|---------|------------------------------|----------|
| <input type="checkbox"/> | 145AA18 | Padded Swing-Away - Standard | \$242.00 |
|--------------------------|---------|------------------------------|----------|

### Armrest - Height Adjustable

|                          |         |  |          |
|--------------------------|---------|--|----------|
| <input type="checkbox"/> | 145AA11 | Single Post Ht. Adjust. Std (8.5"-13.5") | \$295.00 |
| <input type="checkbox"/> | 145AA29 | Single Post Ht. Adjust. Low (7"-11")     | \$295.00 |

### Armpad - For Height Adjustable

Suggest using classic model for tray tables

|                          |         |                   |         |    |
|--------------------------|---------|-------------------|---------|----|
| <input type="checkbox"/> | 145AM23 | Desk Length (10") | Classic | NC |
| <input type="checkbox"/> | 145AM21 | Desk Length (10") | Contour | NC |
| <input type="checkbox"/> | 145AM24 | Full Length (14") | Classic | NC |
| <input type="checkbox"/> | 145AM22 | Full Length (14") | Contour | NC |

## 6. Key Options & Accessories

### Wheel Lock

Not all wheel locks available in all seat depths, wheel sizes and COG settings. XTR suspension only available w/ high mount push

|                          |         |                 |          |
|--------------------------|---------|-----------------|----------|
| <input type="checkbox"/> | 145WL1  | High Mount Push | NC       |
| <input type="checkbox"/> | 145WL2  | High Mount Pull | NC       |
| <input type="checkbox"/> | 145WL27 | Ergo Scissor    | NC       |
| <input type="checkbox"/> | 145WL30 | Compact         | \$142.00 |
| <input type="checkbox"/> | 145WL10 | Omit Wheel Lock | NC       |
| <input type="checkbox"/> | 145WL12 | Do Not Mount    | NC       |

### Extension Handle

Only available w/ High Mount Push or Pull Wheel Locks

|                          |        |                          |         |
|--------------------------|--------|--------------------------|---------|
| <input type="checkbox"/> | 145EH7 | Extension handles (Pair) | \$63.00 |
|--------------------------|--------|--------------------------|---------|

### Grade Aid

Only available w/ high mount push or pull. NA w/ clincher, poly, Kik, or Schwalbe, or Xtender

|                          |        |           |          |
|--------------------------|--------|-----------|----------|
| <input type="checkbox"/> | 145GA1 | Grade Aid | \$137.00 |
|--------------------------|--------|-----------|----------|

### Anti Tips

|                          |        |                    |          |
|--------------------------|--------|--------------------|----------|
| <input type="checkbox"/> | 145AT1 | Anti Tips (Pair)   | \$105.00 |
| <input type="checkbox"/> | 145AT3 | Omit Rear Anti Tip | NC       |

### Seat Sling

|                          |        |                     |          |
|--------------------------|--------|---------------------|----------|
| <input type="checkbox"/> | 145SL1 | Standard Seat Sling | NC       |
| <input type="checkbox"/> | 145SL6 | Omit Seat Sling     | -\$19.00 |

### Cushion

|                          |        |            |          |
|--------------------------|--------|------------|----------|
| <input type="checkbox"/> | 145CU1 | 2" Cushion | \$163.00 |
|--------------------------|--------|------------|----------|

### JAY Cushions (Optional)

To order any JAY cushions on-chair, please see the JAY price list.

Cushion name or part number must be filled out with desired width and depth

|                          |         |                           |            |
|--------------------------|---------|---------------------------|------------|
| <input type="checkbox"/> | 145JC20 | JAY Bundled Cushion       | Price List |
|                          |         | Cushion Name or Part #    |            |
|                          |         | Width: _____ Depth: _____ |            |

### Side Guards

All side guards NA w/ Height Adj. Arms. Some interference may exist w/ padded SA arms at lowest settings

|                          |         |                    |          |
|--------------------------|---------|--------------------|----------|
| <input type="checkbox"/> | 145SG33 | Plastic - Standard | \$163.00 |
| <input type="checkbox"/> | 145SG29 | Plastic - Low      | \$163.00 |
| <input type="checkbox"/> | 145SG12 | Carbon Fiber       | NC       |

*NA w/ push or pull wheel locks*

### Pack Accessories

|                          |         |                             |          |
|--------------------------|---------|-----------------------------|----------|
| <input type="checkbox"/> | 145A1   | Quickie Backpack Black      | \$97.00  |
| <input type="checkbox"/> | 145A2   | Quickie Kids Backpack Black | \$90.00  |
| <input type="checkbox"/> | 145A8   | Seat Pouch Black            | \$73.00  |
| <input type="checkbox"/> | 145A500 | Gel Cover Hanger/Frame      | \$142.00 |
| <input type="checkbox"/> | 145A994 | Gel Cover Swing Away Arm    | \$142.00 |

### Positioning Belt

|                          |         |  |          |
|--------------------------|---------|--|----------|
| <input type="checkbox"/> | 145A142 | Belt 1.5" Auto Buckle Universal w/clamps | \$84.00  |
| <input type="checkbox"/> | 145A12  | Belt 2" Aircraft Buckle                  | \$121.00 |
| <input type="checkbox"/> | 145A13  | Belt 2" Aircraft Buckle Padded           | \$178.00 |

### Spoke Guards

NA w/ Xtender Power Assist

|                          |         |                           |          |
|--------------------------|---------|---------------------------|----------|
| <input type="checkbox"/> | 145A23  | Quickie Black Spoke Guard | \$137.00 |
| <input type="checkbox"/> | 145A302 | Quickie Clear Spoke Guard | \$137.00 |

### Miscellaneous

|                          |        |   |          |
|--------------------------|--------|---|----------|
| <input type="checkbox"/> | 145A32 | Wheelchair Tray   | \$331.00 |
| <input type="checkbox"/> | 145IG6 | Neoprene Impact Guards  | NC       |
| <input type="checkbox"/> | 145A51 | Crutch Holder <i>Only available with Integral or Fold Down push handles</i> | \$100.00 |
| <input type="checkbox"/> | 145A85 | Bolt-On Push Handles  | \$121.00 |
| <input type="checkbox"/> | 145A96 | Presta Valve Adapter  | \$7.00   |
| <input type="checkbox"/> | 145A83 | Tool Kit  | \$37.00  |

**6. Key Options & Accessories (Cont)**

**Standard Frame Colors**

|                          |         |  |    |
|--------------------------|---------|--|----|
| <input type="checkbox"/> | 145C140 | Aztec Gold                               | NC |
| <input type="checkbox"/> | 145C2   | Black <i>(Not avail as base w/Zebra)</i> | NC |
| <input type="checkbox"/> | 145C141 | Black Cherry                             | NC |
| <input type="checkbox"/> | 145C10  | Black Opal                               | NC |
| <input type="checkbox"/> | 145C38  | Blue Opal                                | NC |
| <input type="checkbox"/> | 145C36  | Candy Blue                               | NC |
| <input type="checkbox"/> | 145C14  | Candy Purple                             | NC |
| <input type="checkbox"/> | 145C35  | Candy Red                                | NC |
| <input type="checkbox"/> | 145C142 | Electric Blue                            | NC |
| <input type="checkbox"/> | 145C143 | Evergreen                                | NC |
| <input type="checkbox"/> | 145C126 | Glow                                     | NC |
| <input type="checkbox"/> | 145C144 | Green Apple                              | NC |
| <input type="checkbox"/> | 145C147 | Hot Sparkle Pink                         | NC |
| <input type="checkbox"/> | 145C148 | Mauve Pink                               | NC |
| <input type="checkbox"/> | 145C103 | Rootbeer                                 | NC |
| <input type="checkbox"/> | 145C114 | Sparkle Silver                           | NC |
| <input type="checkbox"/> | 145C145 | Sunrise Orange                           | NC |
| <input type="checkbox"/> | 145C113 | Titanium Color Paint                     | NC |
| <input type="checkbox"/> | 145C8   | Yellow                                   | NC |

**Matte Frame Colors**

|                          |         |                     |    |
|--------------------------|---------|---------------------|----|
| <input type="checkbox"/> | 145C116 | Matte Black         | NC |
| <input type="checkbox"/> | 145C151 | Matte Black Cherry  | NC |
| <input type="checkbox"/> | 145C150 | Matte Electric Blue | NC |
| <input type="checkbox"/> | 145C149 | Matte Evergreen     | NC |
| <input type="checkbox"/> | 145C152 | Matte Purple        | NC |

**Custom Frame Color**

|                          |         |   |          |
|--------------------------|---------|---|----------|
| <input type="checkbox"/> | 145C112 | Desert Camouflage   | \$320.00 |
| <input type="checkbox"/> | 145C43  | Mossy Oak Camouflage  | \$320.00 |
| <input type="checkbox"/> | 145C42  | Stars & Stripes   | \$320.00 |
| <input type="checkbox"/> | 145C108 | Zebra <i>(Choose above base color) Std with White unless above base paint is chosen NA w/ Black</i> | \$320.00 |

**Anodized Color Package**

*Camber tubes are titanium grey except for the black option. Frog Legs black only. Black only w/ amputee, Xtender, suspension axle plates.*

|                          |         |         |          |
|--------------------------|---------|---------|----------|
| <input type="checkbox"/> | 145EB02 | Black   | NC       |
| <input type="checkbox"/> | 145EB06 | Blue    | \$142.00 |
| <input type="checkbox"/> | 145EB05 | Green   | \$142.00 |
| <input type="checkbox"/> | 145EB04 | Purple  | \$142.00 |
| <input type="checkbox"/> | 145EB03 | Red     | \$142.00 |
| <input type="checkbox"/> | 145EB01 | Ti Grey | \$142.00 |

