



Quickie IRIS November 2016

EIZ4-2

Mark For:

Date: _____
 Dealer Acct #: _____
 Dealer: _____
 Dealer Contact: _____
 Dealer Address: _____
 Dealer City: _____ PR: _____ PC: _____
 Dealer Phone: () _____ Fax: () _____
 Confirmation Email: _____
 Confirm Via: Fax Email

Submitting for:

Quote Order

PO#: _____

ADDITIONAL SHIPPING INFORMATION

Ship To: _____
 Attention: _____
 Address: _____
 Address: _____
 Ship To City: _____ PR: _____ PC: _____
 Ship To Phone: () _____ Fax: () _____

1. FRAME STYLE & SETUP

Base Model

<input type="checkbox"/>	183WM56	Quickie IRIS with True Fit Growth For 14" sizes use E1233	\$4,282.00
--------------------------	---------	--	------------

Pre-Set Tilt Angle (55° range) (Default in Bold)

<input type="checkbox"/>	183TA5	-5 to 50° NA w/ Heavy Duty and 12.5" STFH	NC
<input type="checkbox"/>	183TA6	0 to 55°	NC
<input type="checkbox"/>	183TA7	+5 to 60° NA w/Heavy Duty Package	NC

Pre-Set Tilt Angle (40° range) (Default in Bold)

<input type="checkbox"/>	183TA8	-5 to 35° NA w/ Heavy Duty and 12.5" STFH	NC
<input type="checkbox"/>	183TA1	0 to 40°	NC
<input type="checkbox"/>	183TA10	+5 to 45° NA w/Heavy Duty Package	NC

Frame Options

<input type="checkbox"/>	183FS23	Standard Base and Seat Frame Maximum Weight: 250 lbs.	STD
<input type="checkbox"/>	183HV1	Heavy Duty Package (Max: 350lbs) NA w/ Vent, Battery Tray	\$1,098.00
<input type="checkbox"/>	183FS24	Vent/Battery Tray Base NA w/ Attendant Wheel Lock, and 14" and 15" frame width; min 17" STFH.	\$688.00
<input type="checkbox"/>	183FT46	Contracture Seat Frame NA w/ 14" or 15" frame depths. NA w/ drop seat pan.	NC

Tilt Release Options

<input type="checkbox"/>	183TT8	Foot Release - No Cables NA with Vent and Battery Tray. NA with 21-22" depth and +5° set-ups. <input type="checkbox"/> Left <input type="checkbox"/> Right (Facing from rear)	NC
<input type="checkbox"/>	183TT12	Backrest Dual trigger cable releases	NC

Transit

<input type="checkbox"/>	183TO45	WC-19 Transit Option	\$352.00
--------------------------	---------	----------------------	----------

Frame Struts

<input type="checkbox"/>	183GY01	Fixed (Standard)	STD
<input type="checkbox"/>	183GY02	Width Adjusting System Avail. range 14"-21". Max growth 22"	\$60.00

Frame Width

<input type="checkbox"/>	183W5	14"	NC
<input type="checkbox"/>	183W6	15"	NC
<input type="checkbox"/>	183W7	16"	NC
<input type="checkbox"/>	183W8	17"	NC
<input type="checkbox"/>	183W9	18"	NC
<input type="checkbox"/>	183W10	19"	\$268.00
<input type="checkbox"/>	183W11	20"	\$268.00
<input type="checkbox"/>	183W12	21" NA w/ removable stroller handle extension	\$268.00
<input type="checkbox"/>	183W13	22" NA w/ removable stroller handle extension	\$268.00

Standard Frame Color

<input type="checkbox"/>	183C140	Aztec Gold	NC	<input type="checkbox"/>	183C126	Glow	NC
<input type="checkbox"/>	183C2	Black	NC	<input type="checkbox"/>	183C144	Green Apple	NC
<input type="checkbox"/>	183C141	Black Cherry	NC	<input type="checkbox"/>	183C147	Hot Pink	NC
<input type="checkbox"/>	183C10	Black Opal	NC	<input type="checkbox"/>	183C148	Mauve Pink	NC
<input type="checkbox"/>	183C38	Blue Opal	NC	<input type="checkbox"/>	183C103	Rootbeer	NC
<input type="checkbox"/>	183C36	Candy Blue	NC	<input type="checkbox"/>	183C114	Sparkle Silver	NC
<input type="checkbox"/>	183C14	Candy Purple	NC	<input type="checkbox"/>	183C145	Sunrise Orange	NC
<input type="checkbox"/>	183C35	Candy Red	NC	<input type="checkbox"/>	183C113	Titanium	NC
<input type="checkbox"/>	183C142	Electric Blue	NC	<input type="checkbox"/>	183C8	Yellow	NC
<input type="checkbox"/>	183C143	Evergreen	NC				

Matte Frame Color

<input type="checkbox"/>	183C116	Matte Black	NC
<input type="checkbox"/>	183C151	Matte Black Cherry	NC
<input type="checkbox"/>	183C150	Matte Electric Blue	NC
<input type="checkbox"/>	183C149	Matte Evergreen	NC
<input type="checkbox"/>	183C152	Matte Purple	NC

Custom Frame Color

<input type="checkbox"/>	183C112	Desert Camouflage	\$320.00
<input type="checkbox"/>	183C43	Mossy Oak Camouflage	\$320.00
<input type="checkbox"/>	183C42	Stars & Stripes	\$320.00
<input type="checkbox"/>	183C108	Zebra (Choose above base color) Std with White unless above base paint is chosen NA w/ Black	\$320.00

2. FRAME DEPTH SET UP (Fill out either A or B)

A. Setup By QUICKIE

B. Setup By DEPTH

A. User's Seated Height

See **Figure 1.2**, Dimension B. Distance from seat surface to top of the head.

<input type="checkbox"/>	183SJ01	Less than 37"	NC
<input type="checkbox"/>	183SJ02	37" or Greater	NC

A. User's Weight (Default in Bold)

251-350 lb options only available w/ HD Package

<input type="checkbox"/>	183BO01	0 - 250 lbs	NC
<input type="checkbox"/>	183BO02	251 - 300 lbs	NC
<input type="checkbox"/>	183BO03	301 - 350 lbs	NC

A. Backrest Position

See **FIGURE 1.1** and **FIGURE 1.3**, Dimension C. The location of the backrest surface in relation to the front of the backpost. The measurement is taken from the front surface of the backpost to the deepest area of the backrest in contact with the user's body.

<input type="checkbox"/>	183BQ01	+3"	NC
<input type="checkbox"/>	183BQ05	+2"	NC
<input type="checkbox"/>	183BQ02	+1"	NC
<input type="checkbox"/>	183BQ03	Flush	NC
<input type="checkbox"/>	183BQ04	-1"	NC
<input type="checkbox"/>	183BQ06	-2"	NC

A. Top of Cushion to Seat Rail

See **FIGURE 1.4** Dimensions A & B. This measurement is taken from the top of the cushion to the upper surface of the seat rail. If the cushion has a wedged shape and/or has significant lateral pelvic contour, then determine the height of the cushion at the point where the ischial tuberosities would contact (not immerse) the cushion surface.

<input type="checkbox"/>	183CJ01	2 1/2" or Greater	NC
<input type="checkbox"/>	183CJ02	Less than 2 1/2"	NC
<input type="checkbox"/>	183CJ03	Below Seat Rail	NC

A. Desired Seat Depth

See **Figure 1.1** for pricing, **Figure 1.2**, Dimension A for measurement

<input type="checkbox"/>	183SD7	14"	NC
<input type="checkbox"/>	183SD8	15"	NC
<input type="checkbox"/>	183SD9	16"	NC
<input type="checkbox"/>	183SD10	17"	Figure 1.1
<input type="checkbox"/>	183SD11	18"	Figure 1.1
<input type="checkbox"/>	183SD12	19"	Figure 1.1
<input type="checkbox"/>	183SD13	20"	Figure 1.1
<input type="checkbox"/>	183SD14	21"	Figure 1.1
<input type="checkbox"/>	183SD33	22"	Figure 1.1

B. Frame Depth Range

<input type="checkbox"/>	183FL91	Short Seat Frame 14"-18"	NC
<input type="checkbox"/>	183FL92	Medium Seat Frame 16"-20"	NC
<input type="checkbox"/>	183FL93	Long Seat Frame 18"-22"	NC

B. Frame Depth

<input type="checkbox"/>	183FD5	14" recommend short seat frame	NC
<input type="checkbox"/>	183FD6	15" recommend short seat frame	NC
<input type="checkbox"/>	183FD7	16" recommend short seat frame	NC
<input type="checkbox"/>	183FD8	17" recommend short seat frame	NC
<input type="checkbox"/>	183FD9	18" recommend medium seat frame	NC
<input type="checkbox"/>	183FD10	19" recommend medium seat frame	NC
<input type="checkbox"/>	183FD11	20" recommend long seat frame	NC
<input type="checkbox"/>	183FD16	21" recommend long seat frame	NC
<input type="checkbox"/>	183FD17	22" recommend long seat frame	NC

A. Figures for Setup by Quickie

Figure 1.1

		3	2	1	Flush	-1	-2
Desired Seat Depth	14"	NC	NC	NC	NC	N/A	N/A
	15"	NC	NC	NC	NC	N/A	N/A
	16"	NC	NC	NC	NC	NC	N/A
	17"	\$550	NC	NC	NC	NC	NC
	18"	\$550	\$550	NC	NC	NC	NC
	19"	N/A	\$550	\$550	NC	NC	NC
	20"	N/A	\$900	\$550	\$550	NC	NC
	21"	N/A	N/A	\$900	\$550	\$550	NC
	22"	N/A	N/A	N/A	\$900	\$550	\$550

Figure 1.2

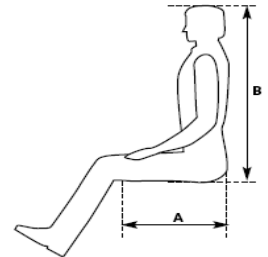


Figure 1.3

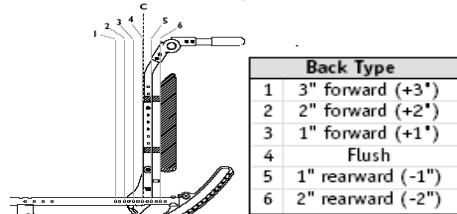
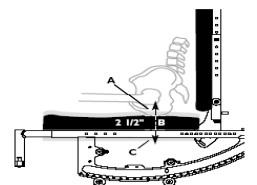


Figure 1.4



3. SEATING

Seat Type

<input type="checkbox"/>	183ST35	Standard Seat Pan <i>For growth ranges, see Figure 1.5</i>	\$152.00
<input type="checkbox"/>	183ST36	Drop Seat Pan -NA w/ transit, HD, contracture footrest system	\$152.00
<input type="checkbox"/>	183ST54	Omit Seat Pan	NC

JAY Cushions (Optional)

To order any JAY cushions on-chair, please see the JAY price list. Cushion name or part number must be filled out with desired width and depth.

<input type="checkbox"/>	183JC20	JAY Bundled Cushion Cushion Name/Part #: Width: Depth:	Price List
--------------------------	---------	---	------------

Custom Seating

NEW!

<input type="checkbox"/>	183QC01	Surefit
<input type="checkbox"/>	183QC02	Configurfit

Figure 1.5

Frame Width	Seat Pan Growth
14"	14" - 16"
15"	15" - 16"
16"	16" - 18"
17"	17" - 18"
18"	18" - 20"
19"	19" - 20"
20"	20" - 22"
21"	21" - 22"
22"	NA

4. BACKREST

Dynamic Backrest

<input type="checkbox"/>	183BT101	Dynamic Backrest NA w/ Reclining Backrest or 19"-22" seat depths	\$1,355.00
--------------------------	----------	--	------------

JAY J3 Back

<input type="checkbox"/>	183JB01	JAY J3 Back NA w/ O2 Holder	See OF
--------------------------	---------	--------------------------------	--------

Backpost Style - (Choose ONE Option - A, B, C, or D)

A. Stroller Handle Backpost (Fixed)

<input type="checkbox"/>	183BP9	Low (18")	NC	A
<input type="checkbox"/>	183BP10	Medium (21")	NC	
<input type="checkbox"/>	183BP11	Tall (24")	NC	
<input type="checkbox"/>	183BP13	Removable Extension NA w/ 21"- 22" frame width, height adj back with adj stroller handles	\$152.00	

OR

B. Height Adjustable Back w/ Adj. Stroller Handles

Select desired Push Handle

<input type="checkbox"/>	183PH8	Standard Push Handle	NC	B
<input type="checkbox"/>	183PH9	Long Push Handle <i>Recommended in combo w/ vent & battery tray</i>	NC	

AND select desired Back Cane

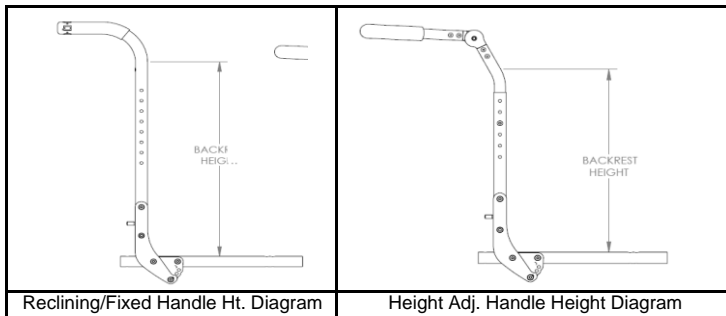
<input type="checkbox"/>	183B200	Standard 15"-21"	NC
<input type="checkbox"/>	183B201	Tall 18"-24"	NC

OR

C. Reclining Backrest (0-40°)

Only available with 40 degree tilt range. NA w/ 22" Deep Frame.

<input type="checkbox"/>	183BT21	Reclining Backrest	\$1,366.00	C
<input type="checkbox"/>	183B5	Medium	NC	
<input type="checkbox"/>	183B9	Tall	NC	



5. ARMREST

Armrest

Heavy Duty Option only available w/ Dual Post Armrest

<input type="checkbox"/>	183AA63	Dual Post Height Adjustable	\$315.00
<input type="checkbox"/>	183AA43	Dual Post Flip Back	\$147.00
<input type="checkbox"/>	183AA62	Dual Post	NC
<input type="checkbox"/>	183AA48	Dual Post Flip Back Height Adj	\$295.00
<input type="checkbox"/>	183AA11	Single Post Height Adjustable - Std	\$295.00
<input type="checkbox"/>	183AA29	Single Post Height Adjustable - Low	\$295.00
<input type="checkbox"/>	183AA7	Length Adjustable Locking Flip-Up NA w/ Contour Armpad	\$295.00
<input type="checkbox"/>	183AA1	Adjustable Locking Flip-Up	\$295.00
<input type="checkbox"/>	183AA14	Omit Armrest	NC

Armrest Receiver (Single Post Height Adjustable Only)

<input type="checkbox"/>	183AR17	Low	NC
<input type="checkbox"/>	183AR18	Std	NC

Armpad

<input type="checkbox"/>	183AM23	Desk Length Classic	NC
<input type="checkbox"/>	183AM21	Desk Length Contour	NC
<input type="checkbox"/>	183AM24	Full Length Classic	NC
<input type="checkbox"/>	183AM22	Full Length Contour	NC
<input type="checkbox"/>	183AM9	Foam Short Option for Length Adj Locking Flip Up	NC
<input type="checkbox"/>	183AM10	Foam Long Option for Length Adj Locking Flip Up	NC

JAY Arm Troughs

NEW!

NA with Length Adj. Locking Flip Up and Adj Locking Flip Up armrests and Single Post Height Adj Armrests. Full Length Classic Armpads will automatically be selected when choosing only one side Arm Trough.

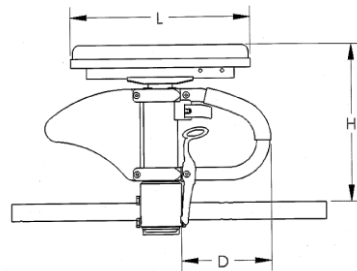
<input type="checkbox"/>	183JL01	Arm Trough - 14" long - Left	\$160.00
<input type="checkbox"/>	183JL04	Arm Trough - 14" long - Right	\$160.00
<input type="checkbox"/>	183JL05	Arm Trough - 14" long - Pair	\$160.00
<input type="checkbox"/>	183JL02	Arm Trough - 18" long - Left	\$160.00
<input type="checkbox"/>	183JL06	Arm Trough - 18" long - Right	\$319.00
<input type="checkbox"/>	183JL07	Arm Trough - 18" long - Pair	\$160.00
<input type="checkbox"/>	183JL03	Arm Trough - 22" long - Left	\$319.00
<input type="checkbox"/>	183JL08	Arm Trough - 22" long - Right	\$160.00
<input type="checkbox"/>	183JL09	Arm Trough - 22" long - Pair	\$319.00

JAY Arm Trough - Hardware

<input type="checkbox"/>	183JN01	Fixed (EA)	NC
<input type="checkbox"/>	183JN03	Fixed (Pair)	NC
<input type="checkbox"/>	183JN02	Swing Away - Rotational (EA)	\$252.00
<input type="checkbox"/>	183JN04	Swing Away - Rotational (Pair)	\$500.00

Armrest Matrix for Single Post

Armrest Size	Transfer Tube Length D	Receiver	Classic Pad			
			H Range	Pad Length L		
				Desk	Full	
STD	8"	STD	10 3/4" to 15 3/4"	10 1/4"	14"	
		LOW	8 3/4" to 13 3/4"			
LOW	5 1/4"	STD	9" to 13"	10 1/2"	14 1/4"	
		LOW	7 1/4" to 11 1/4"			
			Contour Pad			
			Receiver	H Range	Pad Length L	
					Desk	Full
			STD	10" to 15"	10 1/2"	14 1/4"
			LOW	8 1/4" to 12 1/2"		
			STD	8 1/2" to 12 1/2"		
			LOW	6 3/4" to 10 3/4"		



6. HANGER AND FOOTPLATE OPTIONS

Footrest (Choose ONE Option - A, B, or C)

A. Hanger Mounted Footrest			
<input type="checkbox"/>	183H140	70° Swing In/Swing Out -Front Mount	NC
<input type="checkbox"/>	183H142	80° Swing In/Swing Out -Front Mount	NC
<input type="checkbox"/>	183H158	90° Swing In/Swing Out -Front Mount	NC
<input type="checkbox"/>	183H146	70° Heavy Duty Front Mount Lift Off NA w/ 4" casters	\$168.00
<input type="checkbox"/>	183H132	80° Heavy Duty Front Mount Lift Off NA w/ 4" casters	\$168.00
<input type="checkbox"/>	183H147	90° Heavy Duty Front Mount Lift Off NA w/ 4" casters	\$168.00
<input type="checkbox"/>	183H161	Elevating Hanger - Front Mount NA 90° footboard, some interference with casters if not tilted, 17" wide chairs & up.	\$295.00

A

A. Hanger Mounted Footrest Extension Tubes			
<i>NA w/ 12.5" seat height</i>			
<input type="checkbox"/>	183E23	2" NA w/ 90 swing away, 90 lift off hangers	\$47.00
<input type="checkbox"/>	183E24	4" NA w/ 90 swing away, 90 lift off	\$47.00

A. Hanger Mounted Footrest Footplates			
<i>Heel loop or leg strap not included, See Footplate Options Section</i>			
<input type="checkbox"/>	183F4	Kids Angle Adj Available w/ 14" to 16" frame width only	NC
<input type="checkbox"/>	183F8	Adult Angle Adj - Front Mount	\$152.00
<input type="checkbox"/>	183A7	Omit Footplate	NC

B. Extension Tube Mounted Footrests			
<i>Footrests mount to extension tubes</i>			
<input type="checkbox"/>	183H145	60° Swing In/Swing Out	NC
<input type="checkbox"/>	183H139	70° Swing In/Swing Out	NC
<input type="checkbox"/>	183H141	80° Swing In/Swing Out NA w/ 8" casters	NC
<input type="checkbox"/>	183H160	Elevating Hanger - Ext Mount NA w/ Platform Flip Up and Alum Angle Adj Front Mount footplates.	\$295.00
<input type="checkbox"/>	183H159	Articulating Hanger NA w/ Platform Flip Up and Alum Angle Adj Front Mount footplates.	\$457.00

B. Extension Tube Mounted Footrests			
<input type="checkbox"/>	183E1	Short	NC
<input type="checkbox"/>	183E2	Medium NA with 12.5" seat height	NC
<input type="checkbox"/>	183E5	Long NA with 12.5" seat height	NC
<input type="checkbox"/>	183E16	High Mount Only available with adult or kids angle adj. footplates	\$84.00

B

B. Extension Tube Mounted Footrest Footplates			
<i>Heel loop or leg strap not included, See Footplate Options Section</i>			
<input type="checkbox"/>	183F1	Composite	STD
<input type="checkbox"/>	183F5	Aluminum Only available w/ELR	NC
<input type="checkbox"/>	183F3	Adult Angle Adjustable - Ext Mount	\$152.00
<input type="checkbox"/>	183F48	Platform Flip-Up NA w/ med ext tubes.	\$200.00
<input type="checkbox"/>	183F7	Omit Footplate and Ext. Tube	-\$16.00

OR

C. Contracture Footrest System

Multi-Adjustable Padded Hangers & Angle Adjustable Aluminum Footrests

<input type="checkbox"/>	183H26	Contracture Footrest System NA w/ drop seat pan. NA w/ 15" frame depth	\$520.00
<input type="checkbox"/>	183FP02	Outside Mount	NC
<input type="checkbox"/>	183FP01	Center Mount	NC

Select Extension Height Below for Short

<input type="checkbox"/>	183E25	Short	
<input type="checkbox"/>	183EP1	10.5" Extension Height	NC
<input type="checkbox"/>	183EP2	11.0" Extension Height	NC
<input type="checkbox"/>	183EP3	11.5" Extension Height	NC
<input type="checkbox"/>	183EP4	12.0" Extension Height	NC
<input type="checkbox"/>	183EP5	12.5" Extension Height	NC
<input type="checkbox"/>	183EP6	13.0" Extension Height	NC

Select Extension Height Below for Regular

<input type="checkbox"/>	183E26	Regular	
<input type="checkbox"/>	183EP5	12.5" Extension Height	NC
<input type="checkbox"/>	183EP6	13.0" Extension Height	NC
<input type="checkbox"/>	183EP7	13.5" Extension Height	NC
<input type="checkbox"/>	183EP8	14.0" Extension Height	NC
<input type="checkbox"/>	183EP9	14.5" Extension Height	NC
<input type="checkbox"/>	183EP10	15.0" Extension Height	NC

C

Additional Hanger and Footplate Options

Hanger Mounts

1" Offset NA with -5-50° and -5-35° preset tilt angle and possible interference with 80° & 90° hangers

<input type="checkbox"/>	183MZ02	Standard Hanger Mount	STD
<input type="checkbox"/>	183MZ01	1" Offset Hanger Mount	NC

Footrest Options

<input type="checkbox"/>	183HL1	Heel Loop	UPDATED NC
<input type="checkbox"/>	183HL5	Leg Strap	UPDATED NC
<input type="checkbox"/>	183IG2	Impact Guard Neoprene Only available w/ 60° or 70° ext. mount hanger	\$53.00
<input type="checkbox"/>	183H32	Omit Hanger	-\$16.00
<input type="checkbox"/>	183HL4	Omit Heel Loop	NC
<input type="checkbox"/>	183HL6	Omit Single Leg Strap	NC

JAY FOOT BOXES

NEW!

Only available with Swing Away, Lift-off Hangers, Adult Angle Adj Footplates and ELR / ALR. Single Foot Box pairs NA with 14"-15" frame widths. Full Foot Boxes NA with Heel Loop or Leg Strap, Tall Height Full Footbox w/ 14"-15" frame width and ELR / ALR.

Single Foot Box

<input type="checkbox"/>	183JX01	Standard Height - Left	\$225.00
<input type="checkbox"/>	183JX02	Tall Height - Left	\$255.00
<input type="checkbox"/>	183JX03	Standard Height - Right	\$225.00
<input type="checkbox"/>	183JX04	Tall Height - Right	\$255.00
<input type="checkbox"/>	183JX05	Standard Height - Pair	\$450.00
<input type="checkbox"/>	183JX06	Tall Height - Pair	\$475.00

OR

Full Foot Box			
<input type="checkbox"/>	183JX07	Full Foot box Std Height	\$450.00
<input type="checkbox"/>	183JX08	Full Foot box Tall Height	\$510.00
<input type="checkbox"/>	183JX09	Full Foot box w/ Divider Std Ht	\$450.00
<input type="checkbox"/>	183JX10	Full Foot box w/ Divider Tall Ht	\$510.00

7. SEAT HEIGHT SETUP

Front Seat Height

Rear Wheel Size	CASTER SIZE					
	4"	5"	6"	8x1"	8x1.5"	8x2"
12" Mag	<input type="checkbox"/> 12.5"	<input type="checkbox"/> 13.5"	<input type="checkbox"/> 16.5"		<input type="checkbox"/> 16.5"	
		<input type="checkbox"/> 16.5"	<input type="checkbox"/> 17.0"	<input type="checkbox"/> 17.0"	<input type="checkbox"/> 17.0"	
		<input type="checkbox"/> 17.0"	<input type="checkbox"/> 17.5"	<input type="checkbox"/> 17.5"	<input type="checkbox"/> 17.5"	<input type="checkbox"/> 17"
		<input type="checkbox"/> 17.5"		<input type="checkbox"/> 18.0"	<input type="checkbox"/> 18.0"	<input type="checkbox"/> 18.0"
12" Low Poly		<input type="checkbox"/> 16.0"	<input type="checkbox"/> 16.0"		<input type="checkbox"/> 16.0"	
		<input type="checkbox"/> 16.5"	<input type="checkbox"/> 16.5"	<input type="checkbox"/> 16.5"	<input type="checkbox"/> 16.5"	<input type="checkbox"/> 16.5"
		<input type="checkbox"/> 17.0"	<input type="checkbox"/> 17.0"	<input type="checkbox"/> 17.0"	<input type="checkbox"/> 17.0"	<input type="checkbox"/> 17.0"
		<input type="checkbox"/> 17.5"		<input type="checkbox"/> 17.5"		
16" Mag		<input type="checkbox"/> 13.5"				
		<input type="checkbox"/> 14.0"				
		<input type="checkbox"/> 14.5"	<input type="checkbox"/> 14.5"			
		<input type="checkbox"/> 15.0"	<input type="checkbox"/> 15.0"			
		<input type="checkbox"/> 18.0"	<input type="checkbox"/> 18.0"	<input type="checkbox"/> 18.0"	<input type="checkbox"/> 18.0"	<input type="checkbox"/> 18.0"
		<input type="checkbox"/> 18.5"	<input type="checkbox"/> 18.5"	<input type="checkbox"/> 18.5"	<input type="checkbox"/> 18.5"	
			<input type="checkbox"/> 19.0"	<input type="checkbox"/> 19.0"	<input type="checkbox"/> 19.0"	<input type="checkbox"/> 19.0"
				<input type="checkbox"/> 19.5"		
20" Mag		<input type="checkbox"/> 16.0"	<input type="checkbox"/> 16.0"		<input type="checkbox"/> 16.0"	
		<input type="checkbox"/> 16.5"	<input type="checkbox"/> 16.5"	<input type="checkbox"/> 16.5"	<input type="checkbox"/> 16.5"	<input type="checkbox"/> 16.5"
		<input type="checkbox"/> 17.0"	<input type="checkbox"/> 17.0"	<input type="checkbox"/> 17.0"	<input type="checkbox"/> 17.0"	<input type="checkbox"/> 17.0"
		<input type="checkbox"/> 17.5"		<input type="checkbox"/> 17.5"		
22" Mag		<input type="checkbox"/> 17.0"	<input type="checkbox"/> 17.0"	<input type="checkbox"/> 17.0"		<input type="checkbox"/> 17.0"
		<input type="checkbox"/> 17.5"	<input type="checkbox"/> 17.5"	<input type="checkbox"/> 17.5"	<input type="checkbox"/> 17.5"	
		<input type="checkbox"/> 18.0"	<input type="checkbox"/> 18.0"	<input type="checkbox"/> 18.0"	<input type="checkbox"/> 18.0"	<input type="checkbox"/> 18.0"
		<input type="checkbox"/> 18.5"		<input type="checkbox"/> 18.5"		<input type="checkbox"/> 18.5"
24" Mag & Spoke		<input type="checkbox"/> 18.0"	<input type="checkbox"/> 18.0"		<input type="checkbox"/> 18.0"	<input type="checkbox"/> 18.0"
		<input type="checkbox"/> 18.5"	<input type="checkbox"/> 18.5"	<input type="checkbox"/> 18.5"	<input type="checkbox"/> 18.5"	
			<input type="checkbox"/> 19.0"	<input type="checkbox"/> 19.0"	<input type="checkbox"/> 19.0"	<input type="checkbox"/> 19.0"
				<input type="checkbox"/> 19.5"		

Casters

<input type="checkbox"/> 183CW73	4" x 1.25" Semi Pneumatic NA w/ Heavy Duty Option	NC
<input type="checkbox"/> 183CW53	5" x 1" Polyurethane	NC
<input type="checkbox"/> 183CW7	5" x 1.5" Semi Pneumatic	\$95.00
<input type="checkbox"/> 183CW45	6" x 1" Polyurethane	NC
<input type="checkbox"/> 183CW35	6" x 1.5" Semi Pneumatic	\$95.00
<input type="checkbox"/> 183CW46	8" x 1" Polyurethane	NC
<input type="checkbox"/> 183CW39	8"x 1.5" Semi Pneumatic	\$126.00
<input type="checkbox"/> 183CW36	8"x 2" Pneumatic	\$215.00
<input type="checkbox"/> 183CW37	8"x 2" Pneumatic w/Insert	\$342.00

Rear Wheel

<input type="checkbox"/> 183RW13	12" Mag Wheel NA w/ hand rims and full poly tires. With attendant wheel lock NA w/ +5 - 60° tilt angle.	NC
<input type="checkbox"/> 183RW14	16" Mag Wheel NA w/ hand rims. Only avail w/pneumatic or pneumatic w/ airless inserts tires.	NC
<input type="checkbox"/> 183RW3	20" Mag Wheel NA w/ projection handrims.	NC
<input type="checkbox"/> 183RW8	22" Mag Wheel NA w/ projection handrims.	NC
<input type="checkbox"/> 183RW1	24" Mag Wheel	NC
<input type="checkbox"/> 183RW51	24" Spoke Wheel	NC

Rear Wheel Tire

<input type="checkbox"/> 183RT3	Full Polyurethane	NC
<input type="checkbox"/> 183RT4	Low Polyurethane Only available w/ 12" Mag Wheel	NC
<input type="checkbox"/> 183RT1	Pneumatic	NC
<input type="checkbox"/> 183RT2	Pneumatic Airless Insert	\$215.00

Handrim

<i>12" and 16" wheels not available with hand rims.</i>		
<input type="checkbox"/> 183HR1	Aluminum Anodized	NC
<input type="checkbox"/> 183HR4	Plastic Coated	\$126.00
<input type="checkbox"/> 183HR7	Omit Handrim	-\$12.00

Projections

<i>Not available on plastic coated. Only available with 24" rims.</i>		
<input type="checkbox"/> 183HR8	8 Oblique	\$126.00

Axle

<input type="checkbox"/> 183AX1	Quick Release Axles NA w/ one arm drive	NC
<input type="checkbox"/> 183AX17	Threaded Axles NA w/ 24" spoke wheels	NC

Axle Plate

<input type="checkbox"/> 183AL33	Standard Axle Plate	NC
<input type="checkbox"/> 183AL17	One Arm Drive Axle Plate NA w/ 12" & 16" mag, 24" spoke wheels.	\$1,203.00
<input type="checkbox"/> 183OA2	One Arm Drive Standard Handrim	NC
<input type="checkbox"/> 183HM1	Right Hand Mount	NC
<input type="checkbox"/> 183HM2	Left Hand Mount	NC
<input type="checkbox"/> 183OA1	One Arm Drive Small Handrim NA w/ 20" mag wheels	NC
<input type="checkbox"/> 183HM1	Right Hand Mount	NC
<input type="checkbox"/> 183HM2	Left Hand Mount	NC

Hub Lock

<i>Only available w/ 12" or 16" wheels. NA w/ one arm drive.</i>		
<input type="checkbox"/> 183LK01	12" Hub Lock	\$142.00
<input type="checkbox"/> 183LK02	16" Hub Lock	\$142.00

Wheel Lock

<input type="checkbox"/> 183WL8	Push to Lock	NC
<input type="checkbox"/> 183WL41	Attendant Wheel Lock (Foot Lock) NA w/ ext handles. NA w/ one arm drive	\$79.00
<input type="checkbox"/> 183WL10	Omit Wheel Lock	NC

Extension Handle

<input type="checkbox"/> 183EH7	6" Pair	\$63.00
---------------------------------	---------	---------

8. KEY OPTIONS AND ACCESSORIES

Anti Tips

Included with vent tray option. Not ordered as separate line item.

<input type="checkbox"/>	183AT1	Anti Tips (Pair)	\$105.00
--------------------------	--------	------------------	----------

Miscellaneous Accessories

<input type="checkbox"/>	183A1	Black Utility Backpack	\$97.00
<input type="checkbox"/>	183A8	Black Seat Pouch	\$73.00
<input type="checkbox"/>	183A54	Extra Leg Strap Black	\$53.00
<input type="checkbox"/>	183A82	Caddy Only available w/ extension tube mounted footrests	\$79.00
<input type="checkbox"/>	183A601	O2 Holder NA w/ Height Adj Stroller Handles. NA w/ Reclining Backrest, or Transit Option.	\$373.00
<input type="checkbox"/>	183A701	IV Pole NA w/ transit option	\$190.00

Vent Tray - Back Cane Mount **NEW!**

Utility hook has weight a limit of 15 lbs.

<input type="checkbox"/>	183LF12	Dovetail Vertical Frame Mounted Hardware for LTV Ventilators includes 1 utility hook	\$453.00
<input type="checkbox"/>	183LF13	Dovetail Vertical Frame Mounted Hardware for Trilogy Ventilators includes 1 utility hook	\$453.00

Positioning Belt

<input type="checkbox"/>	183A158	2" Dual Pull Squeeze Pad w/Clamp	\$105.00
<input type="checkbox"/>	183A141	1.5" Auto Buckle Universal w/Clamp	\$84.00
<input type="checkbox"/>	183A117	2" Aircraft Buckle w/Clamps	\$121.00
<input type="checkbox"/>	183A118	2" Aircraft Buckle Pad w/Clamp	\$178.00
<input type="checkbox"/>	183A120	Positioning Belt Clamps Only	\$53.00

Side Guard

Only available w/ length adj locking flip-up, adj locking flip-up and armrest styles.

<input type="checkbox"/>	183SG3	Plastic Regular	\$163.00
<input type="checkbox"/>	183SG4	Plastic Kids	\$163.00

Spoke Guards

Not available with 12" and 16" mag wheels or projection handrims.

<input type="checkbox"/>	183A24	Clear	\$137.00
<input type="checkbox"/>	183A23	Black NA w/ projection handrims	\$137.00

Wheelchair Tray Table

Only available if armrests are included. NA with JAY Arm Troughs.

<input type="checkbox"/>	183A30	Small (13"-14")	\$331.00
<input type="checkbox"/>	183A31	Medium (15"-17")	\$331.00
<input type="checkbox"/>	183A32	Large (18"-20")	\$331.00
<input type="checkbox"/>	183A33	X-Large (21"-22")	\$331.00

Canopy (SunShade)

Need 2" back post clearance to mount canopy hardware. May require next height based on seating. Some interference may occur with some height configurations.

<input type="checkbox"/>	1838A06	Canopy (Sunshade) 10" - 14" wide	\$373.00
<input type="checkbox"/>	1838A07	Canopy (Sunshade) 15" - 20" wide	\$373.00

JAY Anterior Thoracic Support **NEW!**

Style

<input type="checkbox"/>	183JY01	Classic Dynamic	\$213.00
<input type="checkbox"/>	183JY02	Classic Structure	\$213.00
<input type="checkbox"/>	183JY03	Contour Dynamic	\$213.00
<input type="checkbox"/>	183JY04	Contour Structure	\$213.00
<input type="checkbox"/>	183JY05	Center Opening with Buckle	\$213.00

Size

<input type="checkbox"/>	183JZ01	Small	NC
<input type="checkbox"/>	183JZ02	Medium	NC
<input type="checkbox"/>	183JZ03	Large	NC
<input type="checkbox"/>	183JZ04	X-Large	NC

JAY Padded Trunk Strap **NEW!**

<input type="checkbox"/>	183JA01	Padded Trunk Strap - Small	\$213.00
<input type="checkbox"/>	183JA02	Padded Trunk Strap - Medium	\$213.00
<input type="checkbox"/>	183JA03	Padded Trunk Strap - Large	\$213.00
<input type="checkbox"/>	183JA04	Padded Trunk Strap - XL	\$213.00

Additional Options Through Built for Me

To inquire about any unique customization for Quickie products, contact: Phone: (800) 333-4000, Fax: (800) 333 9011



Commonly Requested Options Include:

- ✓ 23" & 24" Seat Widths
- ✓ Angle Adjustable Handle for Reclining Backrest
- ✓ Frog Legs
- ✓ Longer Wheel Lock Extensions
- ✓ Reverse Configuration
- ✓ Dual Mount Wheel Locks - Attendant Foot Lock
- ✓ Dynamic Back on Frame Depth up to 20"

9. BUNDLING



Save time! Wheelchair and seating will be delivered together.
Hardware pre-installed.

Cushions

Jay Cushion:

Width:	Depth:
Notes:	

Backs

Jay Back:

Width:	Height:
Notes:	

Headrest

System:

Pads:
Notes:
Hardware:
Notes:

Jay Positioning Components

Anterior Trunk Supports:

Size:
Hand and Arm Supports:
Size:
Pelvic Positioning:
Size:
Foot Positioning:
Size:
Notes:

10. APPENDIX

Lower Leg Length Matrix

Front seat height must be at least 2" taller than lower leg length on all swing in/out hangers. Front seat height must be at least 2" taller than maximum lower leg length on all front mount hangers.

Hanger	Extension	Seat Pan to Top of Footrest		Min Allowable FSH
		Min	Max	
70° Front Mount	No Ext	3 1/2	9	11 1/2
	2"	3 1/2	11 1/2	13 1/2
	4"	3 1/2	13 1/2	15 1/2
80° Front Mount	No Ext	3 1/2	9 1/2	11 1/2
	2"	3 1/2	12	14
	4"	3 1/2	14	16
90° Front Mount	No Ext	3	9	11 1/2
ELR Front Mount	No Ext	3	7	10 1/2
60° Swing In/Out	Short	9	12 1/2	12 1/2
	Med	9	14 1/2	12 1/2
	Long	11 1/2	16	14 1/2
70° Swing In/Out	Short	10 1/2	15 1/2	12 1/2
	Med	10 1/2	17 1/2	13
	Long	13 1/2	19	15
80° Swing In/Out	Short	11	14 1/2	13
	Med	11	16 1/2	13
	Long	13	18	15
ALR	Short	8 1/2	15	10 1/2
	Med	10	17	12
	Long	12	19	14
ELR Ext. Mount	Short	8	14 1/2	10
	Medium	9 1/2	16 1/2	11 1/2
	Long	11 1/2	18 1/2	13 1/2

