



# Zippie X'CAPE SEPTEMBER 2016 EIFZ1

|  |  |
|--|--|
| Date: _____<br>Dealer Acct #: _____<br>Dealer: _____<br>Dealer Contact: _____<br>Dealer Address: _____<br>Dealer City: _____ PR: _____ PC: _____<br>Dealer Phone: ( ) _____ Fax: ( ) _____<br>Confirm Via: <input type="checkbox"/> Fax <input type="checkbox"/> Email | <b>SUBMITTING FOR:</b> <input type="checkbox"/> Quote <input type="checkbox"/> Order<br>PO#: _____<br>Ship To: _____<br>Attention: _____<br>Address: _____<br>Address: _____<br>Ship To City: _____ PR: _____ PC: _____<br>Ship To Phone: ( ) _____ Fax: ( ) _____ |
|--|--|

Mark For: \_\_\_\_\_

| Option # | Definition | Price | Option # | Definition | Price |
|----------|------------|-------|----------|------------|-------|
|----------|------------|-------|----------|------------|-------|

K0005 coding still applies for certain sizes

| 1. FRAME  |         |  |  |                          |         |  |            |
|---|---------|--|--|--------------------------|---------|--|------------|
| A. Zippie X'CAPE - TRANSIT INCLUDED (165lbs)      |         |  | B. Zippie X'CAPE - TRANSIT OPTIONAL (165lbs) |                          |         |  |            |
| A. FRAME STYLE (Includes True Fit)(NA w/ Xtender) |         |  | B. FRAME STYLE (Includes True Fit)           |                          |         |  |            |
| <input type="checkbox"/>                          | 121WM87 | X'CAPE - Transit Inc without seating (Custom seating opts available) | \$3,039.00                                   | <input type="checkbox"/> | 121WM83 | X'CAPE - Transit Opt without seating (Custom seating opts available) | \$2,947.00 |
| <input type="checkbox"/>                          | 121WM84 | X'CAPE - Transit Inc w/ Seating (Sling and Back Uphol)               | \$3,039.00                                   | <input type="checkbox"/> | 121WM85 | X'CAPE - Transit Opt w/Seating (Sling and Back Uphol)                | \$2,947.00 |

| TRANSIT SYSTEM WC-19     |         |                             |    |                          |         |              |    |
|--------------------------|---------|-----------------------------|----|--------------------------|---------|--------------|----|
| <input type="checkbox"/> | 121TO48 | Transit Opt. (NA w/Xtender) | NC | <input type="checkbox"/> | 121TO40 | Omit Transit | NC |

| FRAME TYPE               |         |                         |    |                          |         |                              |    |
|--------------------------|---------|-------------------------|----|--------------------------|---------|------------------------------|----|
| <input type="checkbox"/> | 121FT64 | Zippie-Swing Away Frame | NC | <input type="checkbox"/> | 121FT65 | Zippie-80° Fixed Front Frame | NC |

| 2. SIZE/SEATING                       |        |                                 |    |                          |        |                                 |    |
|---------------------------------------|--------|---------------------------------|----|--------------------------|--------|---------------------------------|----|
| 2A. FRAME WIDTH                       |        |                                 |    |                          |        |                                 |    |
| 8", 9" and 10" widths NA with Xtender |        |                                 |    |                          |        |                                 |    |
| <input type="checkbox"/>              | 121W48 | 8" (Frame Width Growth 9-10")   | NC | <input type="checkbox"/> | 121W53 | 13" (Frame Width Growth 14-15") | NC |
| <input type="checkbox"/>              | 121W49 | 9" (Frame Width Growth 10-11")  | NC | <input type="checkbox"/> | 121W54 | 14" (Frame Width Growth 15-16") | NC |
| <input type="checkbox"/>              | 121W50 | 10" (Frame Width Growth 11-12") | NC | <input type="checkbox"/> | 121W55 | 15" (Frame Width Growth 16-17") | NC |
| <input type="checkbox"/>              | 121W51 | 11" (Frame Width Growth 12-13") | NC | <input type="checkbox"/> | 121W56 | 16" (Frame Width Growth 17-18") | NC |
| <input type="checkbox"/>              | 121W52 | 12" (Frame Width Growth 13-14") | NC |                          |        |                                 |    |

**2B/C. SLING DEPTH, FRAME DEPTH AND BACK POST POSITION. See matrix on page 2.**

8"-11" Frame Depth with 20", 22" or 24" wheels and Custom Seating must have hublock or Fixed Front frame. When selecting Frame Depth with custom seating, add 1" to accommodate seating. Example: need 12 depth, order 13 depth.

| 2B. Sling Depth when choosing with Seating * Sling must be up to 3" less than or equal to the Frame Depth (C.) |        |     |    |                          |         |     |    |
|--|--------|-----|----|--------------------------|---------|-----|----|
| <input type="checkbox"/>   | 121GJ1 | 8"  | NC | <input type="checkbox"/> | 121GJ7  | 14" | NC |
| <input type="checkbox"/>   | 121GJ2 | 9"  | NC | <input type="checkbox"/> | 121GJ8  | 15" | NC |
| <input type="checkbox"/>   | 121GJ3 | 10" | NC | <input type="checkbox"/> | 121GJ9  | 16" | NC |
| <input type="checkbox"/>   | 121GJ4 | 11" | NC | <input type="checkbox"/> | 121GJ10 | 17" | NC |
| <input type="checkbox"/>   | 121GJ5 | 12" | NC | <input type="checkbox"/> | 121GJ11 | 18" | NC |
| <input type="checkbox"/>   | 121GJ6 | 13" | NC |                          |         |     |    |

| 2C. Frame Depth and Back Post Position with Growth *must be equal or greater than Sling Depth if chosen with seat Sling |         |  |    |                          |         |                                   |    |
|---|---------|--|----|--------------------------|---------|-----------------------------------|----|
| <input type="checkbox"/>  | 121FD40 | 8" ( Frame depth growth 9"-11", NA w/ 24" wheels)  | NC | <input type="checkbox"/> | 121FD46 | 14" ( Frame depth growth 15"-17") | NC |
| <input type="checkbox"/>  | 121FD41 | 9" ( Frame depth growth 10"-12", NA w/ 24" wheels) | NC | <input type="checkbox"/> | 121FD47 | 15" ( Frame depth growth 16"-18") | NC |
| <input type="checkbox"/>  | 121FD42 | 10" ( Frame depth growth 11"-13")                  | NC | <input type="checkbox"/> | 121FD48 | 16" ( Frame depth growth 17"-19") | NC |
| <input type="checkbox"/>  | 121FD43 | 11" ( Frame depth growth 12"-14")                  | NC | <input type="checkbox"/> | 121FD49 | 17" ( Frame depth growth 18"-20") | NC |
| <input type="checkbox"/>  | 121FD44 | 12" ( Frame depth growth 13"-15")                  | NC | <input type="checkbox"/> | 121FD50 | 18" ( Frame depth growth 19"-20") | NC |
| <input type="checkbox"/>  | 121FD45 | 13" ( Frame depth growth 14"-16")                  | NC |                          |         |                                   |    |

✓ Option # Definition Price ✓ Option # Definition Price

**SEATING**

| Seat Sling               |         |   |     |
|--------------------------|---------|---|-----|
| <input type="checkbox"/> | 121OP01 | Standard Seat Sling   | STD |
| <input type="checkbox"/> | 121OP04 | Omit Seat Sling (available when base is ordered with seating) | NC  |

| Cushions  |         |                 |          |
|---|---------|-----------------|----------|
| Some limitations may exist on 2" Cushion and smaller widths |         |                 |          |
| <input type="checkbox"/>                                    | 121CU30 | 1" Foam Cushion | \$124.00 |
| <input type="checkbox"/>                                    | 121CU31 | 2" Foam Cushion | \$124.00 |

| JAY Cushions (Optional)   |         |  |            |
|---|---------|--|------------|
| To order any other JAY cushions on-chair, please see the JAY price list.<br>Cushion name or part number must be filled out w/ desired width and depth |         |  |            |
| <input type="checkbox"/>  | 121JC20 | JAY Bundled Cushion<br>Cushion Name or Part#<br>Width:                      Depth: | Price List |

| Sling and 1" Cushion Matrix |    |   |   |    |    |    |    |    |    |    |  |  |  |  |  |    |    |  |
|-----------------------------|----|---|---|----|----|----|----|----|----|----|--|--|--|--|--|----|----|--|
|                             |    | Width                                   |   |    |    |    |    |    |    |    |  |  |  |  |  |    |    |  |
|                             |    | 8                                       | 9 | 10 | 11 | 12 | 13 | 14 | 15 | 16 |  |  |  |  |  |    |    |  |
| Sling Depth                 | 8  |   |   |    |    |    |    |    |    |    |  |  |  |  |  |    | 8  |  |
|                             | 9  |   |   |    |    |    |    |    |    |    |  |  |  |  |  |    | 9  |  |
|                             | 10 |   |   |    |    |    |    |    |    |    |  |  |  |  |  |    | 10 |  |
|                             | 11 |   |   |    |    |    |    |    |    |    |  |  |  |  |  |    | 11 |  |
|                             | 12 |   |   |    |    |    |    |    |    |    |  |  |  |  |  |    | 12 |  |
|                             | 13 |   |   |    |    |    |    |    |    |    |  |  |  |  |  |    | 13 |  |
|                             | 14 |   |   |    |    |    |    |    |    |    |  |  |  |  |  |    | 14 |  |
|                             | 15 |   |   |    |    |    |    |    |    |    |  |  |  |  |  |    | 15 |  |
|                             | 16 |   |   |    |    |    |    |    |    |    |  |  |  |  |  |    | 16 |  |
| 17                          |    |   |   |    |    |    |    |    |    |    |  |  |  |  |  | 17 |    |  |
| 18                          |    |   |   |    |    |    |    |    |    |    |  |  |  |  |  | 18 |    |  |
|                             |    | Width                                   |   |    |    |    |    |    |    |    |  |  |  |  |  |    |    |  |
|                             |    | 1" cushion available at these sizes     |   |    |    |    |    |    |    |    |  |  |  |  |  |    |    |  |
|                             |    | 1" cushion NOT available at these sizes |   |    |    |    |    |    |    |    |  |  |  |  |  |    |    |  |

| Seat Sling to Frame Depth Matrix                          |    |              |   |    |    |    |    |    |    |    |    |    |  |  |  |  |  |  |  |
|---|----|--------------|---|----|----|----|----|----|----|----|----|----|--|--|--|--|--|--|--|
| Difference from front of frame to front of sling (inches) |    |              |   |    |    |    |    |    |    |    |    |    |  |  |  |  |  |  |  |
|   |    | sling length |   |    |    |    |    |    |    |    |    |    |  |  |  |  |  |  |  |
|   |    | 8            | 9 | 10 | 11 | 12 | 13 | 14 | 15 | 16 | 17 | 18 |  |  |  |  |  |  |  |
| frame length  | 8  | 0            |   |    |    |    |    |    |    |    |    |    |  |  |  |  |  |  |  |
|   | 9  | 0            | 0 |    |    |    |    |    |    |    |    |    |  |  |  |  |  |  |  |
|   | 10 | 0            | 0 | 0  |    |    |    |    |    |    |    |    |  |  |  |  |  |  |  |
|   | 11 | 1            | 1 | 1  | 0  |    |    |    |    |    |    |    |  |  |  |  |  |  |  |
|   | 12 |              | 2 | 2  | 1  | 0  |    |    |    |    |    |    |  |  |  |  |  |  |  |
|   | 13 |              |   | 3  | 2  | 1  | 0  |    |    |    |    |    |  |  |  |  |  |  |  |
|   | 14 |              |   |    | 3  | 2  | 1  | 0  |    |    |    |    |  |  |  |  |  |  |  |
|   | 15 |              |   |    |    | 3  | 2  | 1  | 0  |    |    |    |  |  |  |  |  |  |  |
|   | 16 |              |   |    |    |    | 2  | 1  | 0  | 0  |    |    |  |  |  |  |  |  |  |
|   | 17 |              |   |    |    |    |    | 1  | 0  | 0  | 0  |    |  |  |  |  |  |  |  |
| 18  |    |              |   |    |    |    |    | 0  | 0  | 0  | 0  |    |  |  |  |  |  |  |  |

| 2" Cushion Matrix |    |   |   |    |    |    |    |    |    |    |  |  |  |  |  |    |    |  |
|-------------------|----|---|---|----|----|----|----|----|----|----|--|--|--|--|--|----|----|--|
|                   |    | Width                                   |   |    |    |    |    |    |    |    |  |  |  |  |  |    |    |  |
|                   |    | 8                                       | 9 | 10 | 11 | 12 | 13 | 14 | 15 | 16 |  |  |  |  |  |    |    |  |
| Sling Depth       | 8  |   |   |    |    |    |    |    |    |    |  |  |  |  |  |    | 8  |  |
|                   | 9  |   |   |    |    |    |    |    |    |    |  |  |  |  |  |    | 9  |  |
|                   | 10 |   |   |    |    |    |    |    |    |    |  |  |  |  |  |    | 10 |  |
|                   | 11 |   |   |    |    |    |    |    |    |    |  |  |  |  |  |    | 11 |  |
|                   | 12 |   |   |    |    |    |    |    |    |    |  |  |  |  |  |    | 12 |  |
|                   | 13 |   |   |    |    |    |    |    |    |    |  |  |  |  |  |    | 13 |  |
|                   | 14 |   |   |    |    |    |    |    |    |    |  |  |  |  |  |    | 14 |  |
|                   | 15 |   |   |    |    |    |    |    |    |    |  |  |  |  |  |    | 15 |  |
|                   | 16 |   |   |    |    |    |    |    |    |    |  |  |  |  |  |    | 16 |  |
| 17                |    |   |   |    |    |    |    |    |    |    |  |  |  |  |  | 17 |    |  |
| 18                |    |   |   |    |    |    |    |    |    |    |  |  |  |  |  | 18 |    |  |
|                   |    | Width                                   |   |    |    |    |    |    |    |    |  |  |  |  |  |    |    |  |
|                   |    | 2" cushion available at these sizes     |   |    |    |    |    |    |    |    |  |  |  |  |  |    |    |  |
|                   |    | 2" cushion NOT available at these sizes |   |    |    |    |    |    |    |    |  |  |  |  |  |    |    |  |

**3.CASTERS/SEAT HEIGHT**

| Caster Wheel             |         |                              |          |
|--------------------------|---------|------------------------------|----------|
| <input type="checkbox"/> | 121CW30 | 3" Micro Light Up            | \$63.00  |
| <input type="checkbox"/> | 121CW3  | 4" Low Profile Polyurethane  | NC       |
| <input type="checkbox"/> | 121CW31 | 4" Micro Light Up            | \$95.00  |
| <input type="checkbox"/> | 121CW64 | 4" x 1.5" Aluminum Soft Roll | \$95.00  |
| <input type="checkbox"/> | 121CW5  | 5" Low Profile Polyurethane  | NC       |
| <input type="checkbox"/> | 121CW51 | 5" Micro Light Up            | \$95.00  |
| <input type="checkbox"/> | 121CW6  | 5" Soft Roll (Grey)          | \$110.00 |
| <input type="checkbox"/> | 121CW7  | 5"x1.5" Semi Pneumatic       | \$95.00  |
| <input type="checkbox"/> | 121CW66 | 5"x1.5" Aluminum Soft Roll   | \$95.00  |
| <input type="checkbox"/> | 121CW34 | 6" Poly                      | NC       |
| <input type="checkbox"/> | 121CW35 | 6"x1.5" Semi Pneumatic       | \$95.00  |

| Caster Forks             |         |                   |    |
|--------------------------|---------|-------------------|----|
| <input type="checkbox"/> | 121CF65 | Multiple Position | NC |

| Front Seat Heights Matrix  |                               |                               |                               |                               |
|--|-------------------------------|-------------------------------|-------------------------------|-------------------------------|
| Rear Wheel Size  | Front Caster                  |                               |                               |                               |
|  | <input type="checkbox"/> 3    | <input type="checkbox"/> 4    | <input type="checkbox"/> 5    | <input type="checkbox"/> 6    |
| <input type="checkbox"/> 12"<br><input type="checkbox"/> 16"<br><input type="checkbox"/> 20"<br><input type="checkbox"/> 22" | <input type="checkbox"/> 13.0 | <input type="checkbox"/> 13.0 | <input type="checkbox"/> 14.0 | <input type="checkbox"/> 15.0 |
|  | <input type="checkbox"/> 13.5 | <input type="checkbox"/> 13.5 | <input type="checkbox"/> 14.5 | <input type="checkbox"/> 15.5 |
|  | <input type="checkbox"/> 14.0 | <input type="checkbox"/> 14.0 | <input type="checkbox"/> 15.0 | <input type="checkbox"/> 16.0 |
|  | <input type="checkbox"/> 14.5 | <input type="checkbox"/> 14.5 | <input type="checkbox"/> 15.5 | <input type="checkbox"/> 16.5 |
|  | <input type="checkbox"/> 15.0 | <input type="checkbox"/> 15.0 | <input type="checkbox"/> 16.0 | <input type="checkbox"/> 17.0 |
|  | <input type="checkbox"/> 15.5 | <input type="checkbox"/> 15.5 | <input type="checkbox"/> 16.5 | <input type="checkbox"/> 17.5 |
|  | <input type="checkbox"/> 16.0 | <input type="checkbox"/> 16.0 | <input type="checkbox"/> 17.0 | <input type="checkbox"/> 18.0 |
| <input type="checkbox"/> 24"   | <input type="checkbox"/> 16.5 | <input type="checkbox"/> 16.5 | <input type="checkbox"/> 17.5 |                               |
|  | <input type="checkbox"/> 17.0 | <input type="checkbox"/> 17.0 |                               |                               |
|  | <input type="checkbox"/> 17.5 | <input type="checkbox"/> 17.5 |                               |                               |
|  | <input type="checkbox"/> 14.0 | <input type="checkbox"/> 14.0 | <input type="checkbox"/> 15.0 | <input type="checkbox"/> 15.0 |
|  | <input type="checkbox"/> 14.5 | <input type="checkbox"/> 14.5 | <input type="checkbox"/> 15.5 | <input type="checkbox"/> 16.0 |
|  | <input type="checkbox"/> 15.0 | <input type="checkbox"/> 15.0 | <input type="checkbox"/> 16.0 | <input type="checkbox"/> 16.5 |
|  | <input type="checkbox"/> 15.5 | <input type="checkbox"/> 15.5 | <input type="checkbox"/> 16.5 | <input type="checkbox"/> 17.0 |
| <input type="checkbox"/> 16.5  | <input type="checkbox"/> 16.5 | <input type="checkbox"/> 17.0 | <input type="checkbox"/> 17.5 |                               |
| <input type="checkbox"/> 17.0  | <input type="checkbox"/> 17.0 | <input type="checkbox"/> 17.5 |                               |                               |

|  |                           |
|--|---------------------------|
|  | Standard Frame            |
|  | Hemi Fame                 |
|  | Depends on Caster setting |

FRONT SEAT HEIGHTS ARE SHOWN IN THE BOXES IN THE FRONT SEAT HEIGHTS MATRIX. DEPENDING ON CG SETTING, SEAT DEPTH, AND FRAME SIZE SOME OF THE SIZES MAY NOT BE AVAILABLE

| ✓ Option #                       | Definition | Price | ✓ Option # | Definition | Price |
|----------------------------------|------------|-------|------------|------------|-------|
| <b>4.REAR WHEELS/SEAT HEIGHT</b> |            |       |            |            |       |

|             |                                    |
|-------------|------------------------------------|
| <b>NEW!</b> | <b>XTENDER POWER ASSIST OPTION</b> |
|-------------|------------------------------------|

22" & 24" wheels only. RSH 14" to 16" for 22", RSH 15.0" to 17" for 24". 0° camber, pneumatic tire. Anti-Tips no charge. Dual drive mode available through B4Me.

| Xtender Power Assist     |        |  |             |
|--------------------------|--------|--|-------------|
| <input type="checkbox"/> | 121XT6 | 22" Xtender Power Assist JWX-2<br><b>NICKEL</b>  | \$8,695.00  |
| <input type="checkbox"/> | 121XT7 | 22" Xtender Power Assist JWX-2<br><b>LITHIUM</b> | \$10,095.00 |
| <input type="checkbox"/> | 121XT4 | 24" Xtender Power Assist JWX-2<br><b>NICKEL</b>  | \$8,695.00  |
| <input type="checkbox"/> | 121XT5 | 24" Xtender Power Assist JWX-2<br><b>LITHIUM</b> | \$10,095.00 |

Please select one of the following handrim options

|                          |        |                 |    |
|--------------------------|--------|-----------------|----|
| <input type="checkbox"/> | 121XH5 | Plastic Coated  | NC |
| <input type="checkbox"/> | 121XH6 | Stainless Steel | NC |

| Xtender - Other Options  |         |                                   |            |
|--------------------------|---------|-----------------------------------|------------|
| <input type="checkbox"/> | 121XA10 | Spare NiMH Power Pack - NICKEL    | \$1,675.00 |
| <input type="checkbox"/> | 121XA11 | Spare Li-ion Power Pack - LITHIUM | \$2,155.00 |

| Xtender Wheel Options    |        |                                   |          |
|--------------------------|--------|-----------------------------------|----------|
| <input type="checkbox"/> | 121XA8 | SPARE 22" Lite Spoke Pneu Alum    | NC       |
| <input type="checkbox"/> | 121XA9 | SPARE 22" Lite Spoke Pneu Plastic | \$125.00 |
| <input type="checkbox"/> | 121XA2 | SPARE 24" Lite Spoke Pneu Alum    | NC       |
| <input type="checkbox"/> | 121XA4 | SPARE 24" Lite Spoke Pneu Plastic | \$125.00 |

| Rear Wheels |  |  |  |
|-------------|--|--|--|
|-------------|--|--|--|

NA w/ Xtender. 5 Spoke Mag Wheels NA w/ Hub Lock. Std Mag Wheels only available with One Arm Drive. 24" wheels NA with 8" and 9" frame depths. 8"-12" Frame Depth with 20-24" Rear Wheels and ELR's is ONLY available with Hub Lock Wheels.

|                          |          |  |          |
|--------------------------|----------|--|----------|
| <input type="checkbox"/> | 121RW48  | 12" Mag (Not available with handrims or one arm drive) | \$41.00  |
| <input type="checkbox"/> | 121RW14  | 16" Mag (Not available with handrims or one arm drive) | NC       |
| <input type="checkbox"/> | 121RW3   | 20" Mag Wheel  | NC       |
| <input type="checkbox"/> | 121RW8   | 22" Mag Wheel  | NC       |
| <input type="checkbox"/> | 121RW1   | 24" Mag Wheel  | NC       |
| <input type="checkbox"/> | 121RW103 | 20" Mag Wheel 5 Spoke                                  | NC       |
| <input type="checkbox"/> | 121RW104 | 22" Mag Wheel 5 Spoke                                  | NC       |
| <input type="checkbox"/> | 121RW102 | 24" Mag Wheel 5 Spoke                                  | NC       |
| <input type="checkbox"/> | 121RW74  | 20" Lite Spoke Wheel                                   | NC       |
| <input type="checkbox"/> | 121RW75  | 22" Lite Spoke Wheel                                   | NC       |
| <input type="checkbox"/> | 121RW76  | 24" Lite Spoke Wheel                                   | NC       |
| <input type="checkbox"/> | 121RW06  | 22" Ultra light wt. Spoke Wheel 2.0                    | \$310.00 |
| <input type="checkbox"/> | 121RW10  | 24" Ultra light wt. Spoke Wheel 2.0                    | \$310.00 |
| <input type="checkbox"/> | 121RW28  | 22" Spinerger SPOX Black Spokes                        | \$751.00 |
| <input type="checkbox"/> | 121RW95  | 24" Spinerger SPOX Black Spokes                        | \$751.00 |
| <input type="checkbox"/> | 121RW32  | 22" Spinerger LX Black Spokes                          | \$966.00 |
| <input type="checkbox"/> | 121RW98  | 24" Spinerger LX Black Spokes                          | \$966.00 |

| Rear Wheel Tire          |         |                                  |          |
|--------------------------|---------|----------------------------------|----------|
| <input type="checkbox"/> | 121RT3  | Full Poly Tire                   | NC       |
| <input type="checkbox"/> | 121RT6  | High Pressure Clincher           | \$90.00  |
| <input type="checkbox"/> | 121RT27 | Knobby V-TRAK by Kenda           | \$105.00 |
| <input type="checkbox"/> | 121RT38 | SHOX Performance Poly            | \$126.00 |
| <input type="checkbox"/> | 121RT1  | Pneumatic                        | NC       |
| <input type="checkbox"/> | 121RT2  | Pneumatic Airless Insert         | \$215.00 |
| <input type="checkbox"/> | 121RT21 | Schwalbe Marathon Plus Evolution | \$137.00 |
| <input type="checkbox"/> | 121RT28 | Schwalbe Speed                   | \$142.00 |
| <input type="checkbox"/> | 121RT4  | Low Poly                         | NC       |

| Tire                     | Wheel | 5 Spoke Mag | Std. Mag       | Lite Spoke | Ultra Light-weight | Spinerger |
|--------------------------|-------|-------------|----------------|------------|--------------------|-----------|
| Full Poly Tire           |       | 20,22,24    | 20,22,24       | 20,22      |                    |           |
| High Pressure Clincher   |       |             |                | 22,24      | 22,24              | 22,24     |
| SHOX Performance Poly    |       | 20,22,24    |                | 20,22,24   |                    | 22,24     |
| Knobby V-TRAK            |       |             |                | 24         |                    | 24        |
| Pneumatic                |       | 20,22,24    | 12,16,20,22,24 | 20,22,24   |                    | 22,24     |
| Pneumatic Airless Insert |       | 20,22,24    | 12,16,20,22,24 | 20,22,24   |                    | 22,24     |
| Schwalbe Marathon Plus   |       |             |                | 24         | 22,24              | 22,24     |
| Schwalbe Speed Run       |       |             |                | 24         | 24                 | 22,24     |
| Low Poly                 |       |             | 12             | 24         |                    |           |

22" = 489 mm    24" = 540 mm

| Handrim |  |  |  |
|---------|--|--|--|
|---------|--|--|--|

NA w/ Xtender. Natural Fit NA w/ 20" and 22" 5 Spoke Mag Wheel

|                          |         |   |          |
|--------------------------|---------|---|----------|
| <input type="checkbox"/> | 121HR1  | Aluminum Anodized   | NC       |
| <input type="checkbox"/> | 121HR4  | Plastic Coated (N/A on Ultra and 22" Spinerger LX,SPOX)                 | \$126.00 |
| <input type="checkbox"/> | 121HR22 | Natural Fit -Standard Grip<br>(N/A on Ultra Lite or 20" Lite Spoke)     | \$325.00 |
| <input type="checkbox"/> | 121HR23 | Natural Fit - Super Grip<br>(N/A on Ultra Lite or 20" Lite Spoke)       | \$378.00 |
| <input type="checkbox"/> | 121HR30 | Natural Fit LT - Standard Grip<br>(N/A on Ultra Lite or 20" Lite Spoke) | \$452.00 |
| <input type="checkbox"/> | 121HR31 | Natural Fit LT - Super Grip<br>(N/A on Ultra Lite or 20" Lite Spoke)    | \$515.00 |
| <input type="checkbox"/> | 121HR24 | Spinerger Flex Rim (Only on 24" Spinerger LX)                           | \$610.00 |
| <input type="checkbox"/> | 121HR7  | Omit Handrim (Option may not be available on all rear wheels)           | -\$12.00 |

| Axle Plate |  |  |  |
|------------|--|--|--|
|------------|--|--|--|

|                          |         |          |    |
|--------------------------|---------|----------|----|
| <input type="checkbox"/> | 121AL33 | Standard | NC |
|--------------------------|---------|----------|----|

✓ Option # Definition Price ✓ Option # Definition Price

**4. REAR WHEELS/SEAT HEIGHT Cont.**

| One Arm Drive  |         |   |            |
|--|---------|---|------------|
| <i>NA w/ Xtender. NA w/ 12"-16" wheels. Only avail. On 12"-16" widths and 20", 22" and 24" mag wheels. NA with Natural Fit handrims. NA with SPHA arms</i> |         |   |            |
| <input type="checkbox"/>   | 121AL16 | One Arm Drive                               | \$1,203.00 |
| <input type="checkbox"/>   | 121OA2  | Standard Handrim                            | NC         |
| <input type="checkbox"/>   | 121HM1  | <input type="checkbox"/> Right Hand Mount   | NC         |
| <input type="checkbox"/>   | 121HM2  | <input type="checkbox"/> Left Hand Mount    | NC         |
| <input type="checkbox"/>   | 121OA1  | Small Handrim (not avail w/20" rear wheels) | NC         |
| <input type="checkbox"/>   | 121HM1  | <input type="checkbox"/> Right Hand Mount   | NC         |
| <input type="checkbox"/>   | 121HM2  | <input type="checkbox"/> Left Hand Mount    | NC         |

| Axle                     |         |   |          |
|--------------------------|---------|---|----------|
| <input type="checkbox"/> | 121AX1  | Quick Release (NA w/One Arm Drive)                            | NC       |
| <input type="checkbox"/> | 121AX11 | Quad Quick Release (Only Available with 12 and 16 Mag Wheels) | \$158.00 |

| Center of Gravity Preset (dependent on wheels, casters & depth, From standard frame depth +2" forward and - depth growth up to -3") |         |                              |    |
|---|---------|------------------------------|----|
| <input type="checkbox"/>  | 121CC28 | -.5"                         | NC |
| <input type="checkbox"/>  | 121CC26 | 0 (Flush w/ backrest)        | NC |
| <input type="checkbox"/>  | 121CC16 | .5" Only avail 9"-18" deep   | NC |
| <input type="checkbox"/>  | 121CC20 | 1" Only avail 10"-18" deep   | NC |
| <input type="checkbox"/>  | 121CC15 | 1.5" Only avail 10"-18" deep | NC |
| <input type="checkbox"/>  | 121CC17 | 2" Only avail 16"-18" deep   | NC |
| <input type="checkbox"/>  | 121CC18 | 2.5" Only avail 16"-18" deep | NC |

| Camber                   |        |                                   |    |
|--------------------------|--------|-----------------------------------|----|
| <input type="checkbox"/> | 121C11 | 0°                                | NC |
| <input type="checkbox"/> | 121C12 | 3° (NA w/ Single Post Ht Adj Arm) | NC |

| Rear Seat Height (see Allowable Squeeze chart) |         |       |    |
|--|---------|-------|----|
| <input type="checkbox"/>                       | 121RH32 | 11"   | NC |
| <input type="checkbox"/>                       | 121RH33 | 11.5" | NC |
| <input type="checkbox"/>                       | 121RH9  | 12"   | NC |
| <input type="checkbox"/>                       | 121RH10 | 12.5" | NC |
| <input type="checkbox"/>                       | 121RH11 | 13"   | NC |
| <input type="checkbox"/>                       | 121RH12 | 13.5" | NC |
| <input type="checkbox"/>                       | 121RH13 | 14"   | NC |
| <input type="checkbox"/>                       | 121RH14 | 14.5" | NC |
| <input type="checkbox"/>                       | 121RH15 | 15"   | NC |
| <input type="checkbox"/>                       | 121RH16 | 15.5" | NC |
| <input type="checkbox"/>                       | 121RH17 | 16"   | NC |
| <input type="checkbox"/>                       | 121RH18 | 16.5" | NC |
| <input type="checkbox"/>                       | 121RH19 | 17"   | NC |
| <input type="checkbox"/>                       | 121RH26 | 17.5" | NC |
| <input type="checkbox"/>                       | 121RH20 | 18"   | NC |

| Rear Wheel  | 11 | 11.5 | 12 | ### | 13 | 13.5 | 14 | 14.5 | 15 | 15.5 | 16 | 16.5 | 17 | 17.5 | 18 |
|-------------|----|------|----|-----|----|------|----|------|----|------|----|------|----|------|----|
| 12 low poly |    |      |    |     |    |      |    |      |    |      |    |      |    |      |    |
| 12 pneu     |    |      |    |     |    |      |    |      |    |      |    |      |    |      |    |
| 16          |    |      |    |     |    |      |    |      |    |      |    |      |    |      |    |
| 20          |    |      |    |     |    |      |    |      |    |      |    |      |    |      |    |
| 22          |    |      |    |     |    |      |    |      |    |      |    |      |    |      |    |
| 24          |    |      |    |     |    |      |    |      |    |      |    |      |    |      |    |
| 24 pneu     |    |      |    |     |    |      |    |      |    |      |    |      |    |      |    |

When tires are not listed default to the Wheel size. All Heights are subject to vary slightly

| Allowable Squeeze (may vary +/- .5") |             |
|--------------------------------------|-------------|
| Frame Depth                          | Max Squeeze |
| 8"-9"                                | 1.0"        |
| 10"-12"                              | 1.5"        |
| 13"-15"                              | 2.0"        |
| 16"-18"                              | 2.5"        |

**5. WHEEL LOCK**

| Hub Lock   |         |                                     |          |
|--|---------|-------------------------------------|----------|
| <i>Only available with 12" or 16" mag wheels or Lite Spoke wheels. Not available with one arm drive.</i> |         |                                     |          |
| <input type="checkbox"/>   | 121LK01 | 12" Hub Lock                        | \$142.00 |
| <input type="checkbox"/>   | 121LK02 | 16" Hub Lock                        | \$142.00 |
| <input type="checkbox"/>   | 121LK04 | 20"-24" Hub Lock Lite Spoke         | \$142.00 |
| Hub Lock Mount Position  |         |                                     |          |
| <i>Footlock may limit folding width.</i>   |         |                                     |          |
| <input type="checkbox"/>   | 121HH01 | Footlock Mount                      | NC       |
| <input type="checkbox"/>   | 121HH02 | Seat Mount                          | NC       |
| <input type="checkbox"/>   | 121HH03 | Back Mount (back ht may be limited) | NC       |

| Wheel Lock   |         |                 |          |
|--|---------|-----------------|----------|
| <i>NA with Hub Lock. High Mt will be mounted in low position on 12 and 16 rear wheels. Some may not be available depending on wheel size and position.</i> |         |                 |          |
| <input type="checkbox"/>   | 121WL1  | High Mount Push | NC       |
| <input type="checkbox"/>   | 121WL2  | High Mount Pull | NC       |
| <input type="checkbox"/>   | 121WL30 | Compact         | \$142.00 |
| <input type="checkbox"/>   | 121WL10 | Omit            | NC       |
| Extension Handle (Only avail w/ High Mount Wheel Locks)  |         |                 |          |
| <input type="checkbox"/>   | 121EH1  | 6" Pair         | \$63.00  |

| Swing Away 8"-12" Frame Depth Wheel Lock go/no-go matrix |      |           |           |           |             |                               |           |           |           |  |
|--|------|-----------|-----------|-----------|-------------|-------------------------------|-----------|-----------|-----------|--|
| Frame Depth  | C.G. | 20" wheel | 22" wheel | 24" wheel | Frame Depth | C.G.                          | 20" wheel | 22" wheel | 24" wheel |  |
| 8  | -0.5 |           |           |           | 11          | -0.5                          |           |           |           |  |
|  | 0    |           |           |           |             | 0                             |           |           |           |  |
|  | 0.5  |           |           |           |             | 0.5                           |           |           |           |  |
|  | 1    |           |           |           |             | 1                             |           |           |           |  |
| 9  | -0.5 |           |           |           | 12          | 1.5                           |           |           |           |  |
|  | 0    |           |           |           |             | -0.5                          |           |           |           |  |
|  | 0.5  |           |           |           |             | 0                             |           |           |           |  |
|  | 1    |           |           |           |             | 0.5                           |           |           |           |  |
| 10   | -0.5 |           |           |           |             | 1                             |           |           |           |  |
|  | 0    |           |           |           |             | 1.5                           |           |           |           |  |
|  | 0.5  |           |           |           |             | No-go. User must use hublock. |           |           |           |  |
|  | 1    |           |           |           |             | Go                            |           |           |           |  |
|  | 1.5  |           |           |           |             |                               |           |           |           |  |

| ✓ Option #                    | Definition | Price | ✓ Option # | Definition | Price |
|-------------------------------|------------|-------|------------|------------|-------|
| <b>6. HANGER AND FOOTREST</b> |            |       |            |            |       |

| Hangers/Foostrest System   |         |  |          |
|--|---------|--|----------|
| <i>NA on Fixed Frame.<br/>Some interference may exist in certain configurations.</i> |         |  |          |
| <input type="checkbox"/>   | 121H162 | Z-finity Hanger  | STD      |
| <input type="checkbox"/>   | 121H160 | Elevating Hanger - Ext Mount<br><i>Includes ELR pad. NA w/ Z-finity. Some limitations may exist.</i> | \$295.00 |
| <input type="checkbox"/>   | 121H144 | Omit Hanger  | NC       |

| Z-finity Footrest Mount (Must Chose see Illustration) |         |                                     |    |
|---|---------|-------------------------------------|----|
| <input type="checkbox"/>                              | 121DI22 | Direct Hanger Mt/Fixed Frame - High | NC |
| <input type="checkbox"/>                              | 121DI23 | Direct Hanger Mt/Fixed Frame - Low  | NC |
| <input type="checkbox"/>                              | 121DI24 | Extension Tube Mount                | NC |

| Z-finity Footrest Pivot Arm (Must Choose, use matrix for leg length) |         |             |    |
|--|---------|-------------|----|
| <input type="checkbox"/>   | 121DI20 | Short 2"    | NC |
| <input type="checkbox"/>   | 121DI21 | Long 3 1/4" | NC |

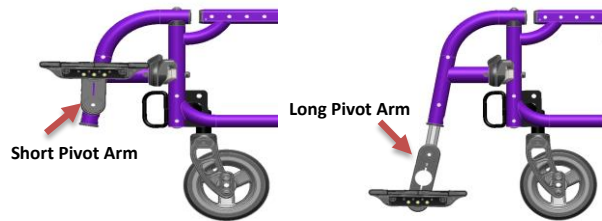
| Footplate   |         |  |          |
|---|---------|--|----------|
| <i>Some interference may exist in certain configurations.</i> |         |  |          |
| <input type="checkbox"/>                                      | 121F320 | Multi Angle Adjustable (Pair)<br>(not avail. w/8"-9" widths) | \$215.00 |
| <input type="checkbox"/>                                      | 121F321 | Angle Adjustable Platform Footboard                          | \$201.00 |
| <input type="checkbox"/>                                      | 121F6   | Omit Footplate   | NC       |

| ExtensionTube Length (When Choosing Ext. Tube Mount) |        |        |    |
|--|--------|--------|----|
| <input type="checkbox"/>                             | 121E62 | Hemi   | NC |
| <input type="checkbox"/>                             | 121E1  | Short  | NC |
| <input type="checkbox"/>                             | 121E2  | Medium | NC |
| <input type="checkbox"/>                             | 121E5  | Long   | NC |

| Footrest Options         |         |  |         |
|--------------------------|---------|--|---------|
| <input type="checkbox"/> | 121HL8  | Leg Strap  | \$53.00 |
| <input type="checkbox"/> | 121HL11 | Heel Loops<br><i>NA on widths below 14"</i>                                | NC      |
| <input type="checkbox"/> | 121IG2  | Neoprene Impact Guards <i>NA with footrest in highest mounted position</i> | \$53.00 |

Direct Hanger Mount

Extension Tube Mount



| Direct Hanger Mounted |                          |      |     | Extension Tube Mounted |                       |      |      |
|-----------------------|--------------------------|------|-----|------------------------|-----------------------|------|------|
| Pivot Arm             | Hanger Mounting Position | Min  | Max | Pivot Arm              | Extension Tube Length | Min  | Max  |
| Short                 | High Mount               | 0.5  | 4.5 | Short                  | Hemi Short            | 5.8  | 14.1 |
|                       | Low Mount                | 3.5  | 8.0 |                        | Short                 | 6.5  | 15.1 |
|                       |                          |      |     |                        | Medium                | 8.4  | 17   |
| Long                  | High Mount               | -1.0 | 5.5 | Long                   | Long                  | 10.3 | 19.0 |
|                       | Low Mount                | 2.5  | 9.0 |                        | Hemi Short            | 4.6  | 15.3 |
|                       |                          |      |     |                        | Short                 | 5.2  | 16.3 |
|                       |                          |      |     | Medium                 | 7.2                   | 18.3 |      |
|                       |                          |      |     | Long                   | 9.2                   | 20.2 |      |

| ELR Ext Mt.(MED Ext Tube) |     |     |
|---------------------------|-----|-----|
| Pivot Arm                 | Min | Max |
| Short                     | 7   | 18  |
| Long                      | 6   | 19  |

Option # Definition Price Option # Definition Price

**7. BACKRESTS**

| BACKREST                 |         |                                       |    |                          |          |                                    |            |
|--------------------------|---------|---------------------------------------|----|--------------------------|----------|------------------------------------|------------|
| <input type="checkbox"/> | 121BT10 | Standard Backrest (Angle adj/folding) | NC | <input type="checkbox"/> | 121BT101 | Dynamic Backrest (NA w/Fixed Back) | \$1,355.00 |

| BACK TYPE (Choose Height Adjustable or Fixed Height) |          |                                      |    |           |                          |         |              |    |
|--|----------|--------------------------------------|----|-----------|--------------------------|---------|--------------|----|
| <input type="checkbox"/>                             | 121BT120 | Height Adjustable (see matrix below) | NC | <b>OR</b> | <input type="checkbox"/> | 121BT53 | Fixed Height | NC |

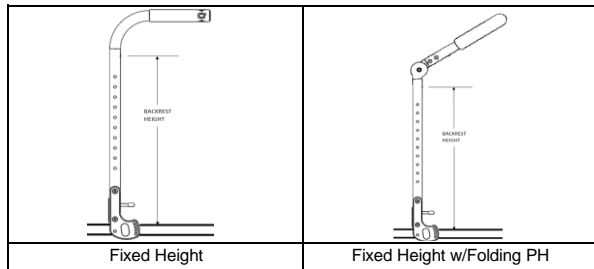
| Height Adjustable (See Backrest Height Range matrix)                     |         |                                 |    |
|--|---------|---------------------------------|----|
| <i>Must choose Lower Base Tube, Backrest Style, and Upper Back Tube.</i> |         |                                 |    |
| Lower Base Tube (See Backrest Height Matrix Below)                       |         |                                 |    |
| <input type="checkbox"/>   | 121BP58 | Short                           | NC |
| <input type="checkbox"/>   | 121BP59 | Medium                          | NC |
| <input type="checkbox"/>   | 121BP60 | Tall (NA with Dynamic Backrest) | NC |

| Backrest Styles (See Images Below) |         |  |          |
|------------------------------------|---------|--|----------|
| <input type="checkbox"/>           | 121PH16 | Straight Non Push Handle               | NC       |
| <input type="checkbox"/>           | 121PH6  | Integral Push handle                   | NC       |
| <input type="checkbox"/>           | 121PH17 | Folding Push Handle with Ht. Adj. Back | \$270.00 |
| <input type="checkbox"/>           | 121PH15 | Omit Back Tube (See omit matrix)       | NC       |

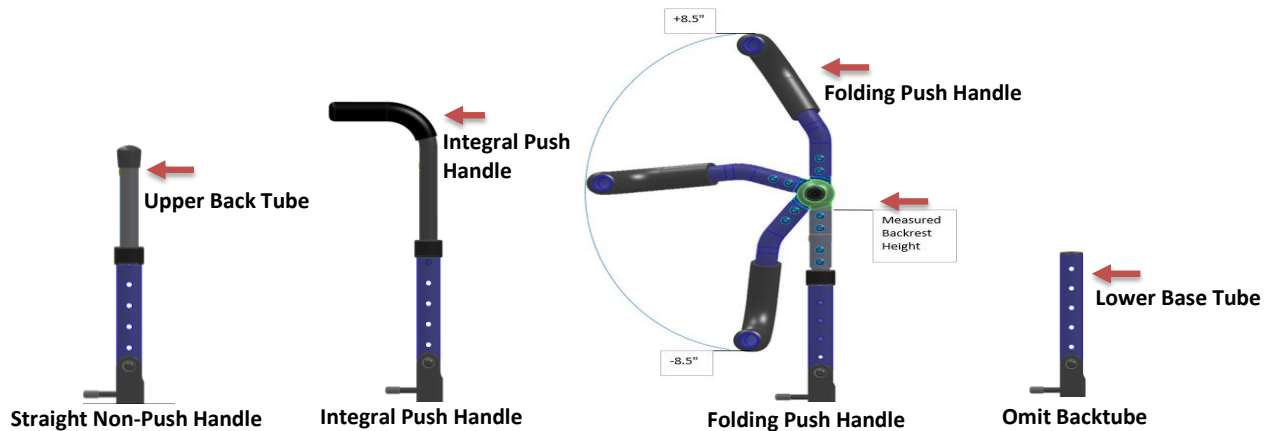
| Upper Back Tube (See Backrest Height Matrix Below) |         |        |    |
|--|---------|--------|----|
| <input type="checkbox"/>                           | 121B245 | Short  | NC |
| <input type="checkbox"/>                           | 121B5   | Medium | NC |

| Height Adjustable Backrest            |     |                          |     |                          |     |
|---------------------------------------|-----|--------------------------|-----|--------------------------|-----|
| Preset Backheight (Choose for Set Up) |     |                          |     |                          |     |
| No Upholstery w/ 19"-24"              |     |                          |     |                          |     |
| <input type="checkbox"/>              | 9"  | <input type="checkbox"/> | 15" | <input type="checkbox"/> | 20" |
| <input type="checkbox"/>              | 11" | <input type="checkbox"/> | 16" | <input type="checkbox"/> | 21" |
| <input type="checkbox"/>              | 12" | <input type="checkbox"/> | 17" | <input type="checkbox"/> | 22" |
| <input type="checkbox"/>              | 13" | <input type="checkbox"/> | 18" | <input type="checkbox"/> | 23" |
| <input type="checkbox"/>              | 14" | <input type="checkbox"/> | 19" | <input type="checkbox"/> | 24" |

| Fixed Height                                |         |                                |          |
|---|---------|--------------------------------|----------|
| <i>Fixed Height back NA with upholstery</i> |         |                                |          |
| <input type="checkbox"/>                    | 121BP9  | Standard (16" Ht)              | NC       |
| <input type="checkbox"/>                    | 121BP10 | Medium (20" Ht)                | NC       |
| <input type="checkbox"/>                    | 121BP11 | Tall (23" Ht)                  | NC       |
| <input type="checkbox"/>                    | 121BP61 | Standard w/Folding PH (16" Ht) | \$270.00 |
| <input type="checkbox"/>                    | 121BP62 | Medium w/Folding PH (20" Ht)   | \$270.00 |
| <input type="checkbox"/>                    | 121BP63 | Tall w/Folding PH (23" Ht)     | \$270.00 |



| Backrest Height Ranges       |          |        |                                |                                 |                            |                             |                           |                            |      |
|------------------------------|----------|--------|--------------------------------|---------------------------------|----------------------------|-----------------------------|---------------------------|----------------------------|------|
| Upper Back Tube (Choose One) |          |        |                                |                                 |                            |                             |                           |                            |      |
|                              |          |        | Straight non-push handle Short | Straight non-push handle Medium | Integral push handle Short | Integral push handle Medium | Folding Push Handle Short | Folding Push Handle Medium | Omit |
| Lower Base Tube (Choose one) | Standard | Short  | 11"-15"                        | 15"-19"                         | 11"-15"                    | 15"-19"                     | 12"-16"                   | 16"-20"                    | 9"   |
|                              |          | Medium | 15"-19"                        | 18"-23"                         | 15"-19"                    | 18"-23"                     | 16"-20"                   | 19"-24"                    | 13"  |
|                              |          | Tall   | 18"-22"                        | 18"-24"                         | 18"-22"                    | 18"-24"                     | 19"-23"                   | 19"-24"                    | 16"  |
|                              | Dynamic  | Short  | 14"-18"                        | 18"-22"                         | 14"-18"                    | 18"-22"                     | 15"-19"                   | 19"-23"                    | 12"  |
|                              |          | Medium | 18"-22"                        | 21"-24"                         | 18"-22"                    | 21"-24"                     | 19"-23"                   | 22"-24"                    | 16"  |



✓ Option # Definition Price ✓ Option # Definition Price

**7. BACKRESTS Cont.**

| Back Upholstery   |         |                                 |          |
|---|---------|---------------------------------|----------|
| <i>Uph NA with Fixed Height back. Std Uph NA w/Flip-Up, Adj Locking Flip-Up and Length Adj Locking Flip-up . 3DX NA on 8"-11" widths. Ballistic NA on 8"-9" widths.</i> |         |                                 |          |
| <input type="checkbox"/>  | 121BU1  | Standard Upholstery             | STD      |
| <input type="checkbox"/>  | 121BU71 | Backrest Tension Adj 3DX Vented | \$410.00 |
| <input type="checkbox"/>  | 121BU70 | Backrest Tension Adj Ballistic  | \$368.00 |
| <input type="checkbox"/>  | 121BU66 | Omit Back Upholstery            | NC       |

| JAY Back (Optional)  |         |                         |            |
|--|---------|-------------------------|------------|
| <i>To order any other JAY back on-chair, please See the JAY Price Lst. Requires Part #</i> |         |                         |            |
| <input type="checkbox"/>   | 121JB02 | JAY Bundled Backrest    | Price List |
|  |         | Backrest Name or Part # |            |
|  |         | Width                   | Height:    |

| Stabilizer Bar   |        |                |          |
|--|--------|----------------|----------|
| <i>NA w/ Dynamic back and Fixed Back. Only available w/Integral push handle.</i> |        |                |          |
| <input type="checkbox"/>   | 121SZ1 | Stabilizer Bar | \$143.00 |

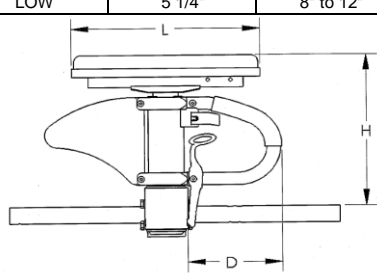
**8. ARMRESTS/SIDEGUARDS**

| Armrest and Armpad - Height Adjustable  |         |   |          |
|---|---------|---|----------|
| <i>Flip-Up, Adj Locking Flip-Up and Length Adj Locking Flip-up N/A with Std Back Upholstery. Low RSH in combination with large wheels may result in arm interference. SPHA arms NA with One Arm Drive or Xtender.</i> |         |   |          |
| <input type="checkbox"/>  | 121AA58 | T-Post X-Tall(with sideguard)   | \$242.00 |
| <input type="checkbox"/>  | 121AA59 | T-Post 2X-Tall(with sideguard)  | \$242.00 |
| <input type="checkbox"/>  | 121AA3  | Flip-Up   | NC       |
| <input type="checkbox"/>  | 121AA1  | Adjustable Locking Flip-Up  | \$295.00 |
| <input type="checkbox"/>  | 121AA7  | Length Adjust. Locking Flip-Up  | \$295.00 |
| <input type="checkbox"/>  | 121AA11 | Single-Post Ht Adj. Std.<br><i>(NA w/ 3° camber or 8"-9" frame depths)</i>    | \$295.00 |
| <input type="checkbox"/>  | 121AA29 | Single-Post Height Adj. Low<br><i>(NA w/ 3° camber or 8"-9" frame depths)</i> | \$295.00 |
| <input type="checkbox"/>  | 121AA14 | Omit Armrest  | NC       |

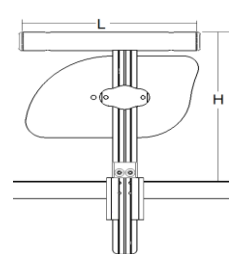
| Side Guard   |         |             |          |
|--|---------|-------------|----------|
| <i>Not available with height adjustable armrests and T-Posts</i> |         |             |          |
| <input type="checkbox"/>   | 121SG33 | Plastic Std | \$163.00 |
| <input type="checkbox"/>   | 121SG29 | Plastic Low | \$163.00 |

| Armpad   |         |  |    |
|--|---------|--|----|
| <i>NA with T-Post and Adj. Locking Flip-Up and Foam only avail with Length Adj. Locking Flip-Up.</i> |         |  |    |
| <input type="checkbox"/>   | 121AM23 | Desk Classic                             | NC |
| <input type="checkbox"/>   | 121AM24 | Full Classic <i>(NA w/10"-13" Depth)</i> | NC |
| <input type="checkbox"/>   | 121AM9  | Foam Short <i>(not avail. w/T Post)</i>  | NC |
| <input type="checkbox"/>   | 121AM10 | Foam Long <i>(not avail. w/T Post)</i>   | NC |

| Single Post Height Adjustable Armrest |              |                          |                   |                |      |
|---------------------------------------|--------------|--------------------------|-------------------|----------------|------|
| Pad                                   | Armrest Size | Transfer Tube Length (D) | Range (H)         | Pad Length (L) |      |
|                                       |              |                          |                   | Desk           | Full |
| Classic                               | STD          | 8"                       | 9 1/2" to 14 1/2" | 10 1/4"        | 14"  |
|                                       | LOW          | 5 1/4"                   | 8" to 12"         |                |      |



| Armrest Size | T-POST           |                |
|--------------|------------------|----------------|
|              | Range (H)        | Pad Length (L) |
| X-TALL       | 6" to 7"         | 7"             |
| 2X-TALL      | 7 1/2" to 8 1/2" |                |



**9. BUNDLING**



Save time! Wheelchair and seating will be delivered together.  
Hardware pre-installed.

| Cushions                 |              |        |  |
|--------------------------|--------------|--------|--|
| <input type="checkbox"/> | Jay Cushion: |        |  |
|                          | Width:       | Depth: |  |
|                          | Notes:       |        |  |

| Backs                    |           |         |  |
|--------------------------|-----------|---------|--|
| <input type="checkbox"/> | Jay Back: |         |  |
|                          | Width:    | Height: |  |
|                          | Notes:    |         |  |

| Headrest                 |           |  |  |
|--------------------------|-----------|--|--|
| <input type="checkbox"/> | System:   |  |  |
|                          | Pads:     |  |  |
|                          | Notes:    |  |  |
|                          | Hardware: |  |  |
|                          | Notes:    |  |  |

| Jay Positioning Components |                          |  |  |
|----------------------------|--------------------------|--|--|
| <input type="checkbox"/>   | Anterior Trunk Supports: |  |  |
|                            | Size:                    |  |  |
|                            | Hand and Arm Supports:   |  |  |
|                            | Size:                    |  |  |
|                            | Pelvic Positioning:      |  |  |
|                            | Size:                    |  |  |
|                            | Foot Positioning:        |  |  |
|                            | Size:                    |  |  |
|                            | Notes:                   |  |  |

| Option #  | Definition | Price                                | Option #           | Definition  | Price   |   |          |
|---|------------|--------------------------------------|--------------------|---|---------|---|----------|
| <b>10. ACCESSORIES</b>  |            |                                      |                    |   |         |   |          |
| <b>Back Pack (one Backpack Black/Charcoal already included)</b> |            |                                      | <b>Seat Pouch</b>  |   |         |   |          |
| <input type="checkbox"/>  | 121A1      | Black Utility Backpack               | \$97.00            | <input type="checkbox"/>  | 1211A01 | Black   | \$73.00  |
| <input type="checkbox"/>  | 121A2      | Backpack Black/Charcoal Kids         | \$90.00            |   |         |   |          |
| <b>Miscellaneous</b>  |            |                                      | <b>Anti-Tip</b>    |   |         |   |          |
| <input type="checkbox"/>  | 1218A03    | Caddy (Only avail w/ Ext Mt hangers) | \$79.00            | <input type="checkbox"/>  | 121AT1  | Rear Anti-Tip                                 | \$105.00 |
| <input type="checkbox"/>  | 1213A01    | Tool Kit                             | \$37.00            | <input type="checkbox"/>  | 121AO1  | Front Anti-Tip (Not avail. with transit opt.) | \$137.00 |
| <input type="checkbox"/>  | 121A2100   | Crutch Holder                        | \$100.00           |   |         |   |          |
| <b>Positioning Belt</b>   |            |                                      | <b>Spoke Guard</b> |   |         |   |          |
| <input type="checkbox"/>  | 121A823    | Belt 1" Dual Adj SQZ BLK PAD         | \$90.00            | <i>Not available with 12" and 16" rear wheels or 5 spoke mag or Xtender</i> |         |   |          |
| <input type="checkbox"/>  | 121A824    | Belt 2" Aircraft Buckle              | \$121.00           | <input type="checkbox"/>  | 1214A01 | Black   | \$137.00 |
| <input type="checkbox"/>  | 121A825    | Belt 2" Aircraft Buckle Padded       | \$178.00           | <input type="checkbox"/>  | 1214A02 | Clear Zippie                                  | \$137.00 |
| <input type="checkbox"/>  | 121A826    | Belt 1.5" Auto Buckle                | \$79.00            | <b>Designer Spoke Guard</b>   |         |   |          |
| <input type="checkbox"/>  | 121A814    | 1" Comfort Fit APB5116               | \$126.00           | <i>Only available with 22" or 24" Spoke rear wheels</i>                     |         |   |          |
| <b>Upper Extremity Support Tray</b>                             |            |                                      |                    |   |         |   |          |
| <i>NA with 8"-9" widths</i>                                     |            |                                      |                    |   |         |   |          |
| <input type="checkbox"/>  | 121A29     | X-Small (Suggested for 10"-12")      | \$331.00           | <input type="checkbox"/>  | 1214A10 | Basketball                                    | \$175.00 |
| <input type="checkbox"/>  | 121A30     | Small (Suggested for 13"-14")        | \$331.00           | <input type="checkbox"/>  | 1214A11 | Chrome Wheels                                 | \$175.00 |
| <input type="checkbox"/>  | 121A31     | Medium (Suggested for 15"-17")       | \$331.00           | <input type="checkbox"/>  | 1214A12 | Graffiti                                      | \$175.00 |
| <input type="checkbox"/>  | 121A32     | Large (Suggested for 18"-20")        | \$331.00           | <input type="checkbox"/>  | 1214A13 | Happy Lions                                   | \$175.00 |
|   |            |                                      |                    | <input type="checkbox"/>  | 1214A14 | Hot Wheels                                    | \$175.00 |
|   |            |                                      |                    | <input type="checkbox"/>  | 1214A15 | Mice n Cheese                                 | \$175.00 |
|   |            |                                      |                    | <input type="checkbox"/>  | 1214A16 | Princess                                      | \$175.00 |
|   |            |                                      |                    | <input type="checkbox"/>  | 1214A17 | Space Galactica                               | \$175.00 |
|   |            |                                      |                    | <input type="checkbox"/>  | 1214A18 | Super Hero                                    | \$175.00 |
|   |            |                                      |                    | <input type="checkbox"/>  | 1214A19 | Zebra   | \$175.00 |

**11. COLOR (Standard with frame and cross brace color choices)**

| <b>Frame Color (Must choose)</b>                         |         |   | <b>Cross Brace Color</b>                       |  |         |                                    |    |
|--|---------|---|--|--|---------|------------------------------------|----|
| <b>Standard Colors</b>                                   |         |   | <b>Standard Colors</b>                         |  |         |                                    |    |
| <input type="checkbox"/>                                 | 121C140 | Aztec Gold  | NC   | <input type="checkbox"/>   | 121C600 | Aztec Gold - Cross Brace           | NC |
| <input type="checkbox"/>                                 | 121C2   | Black (Not avail as base w/Zebra)                     | NC   | <input type="checkbox"/>   | 121C601 | Black - Cross Brace                | NC |
| <input type="checkbox"/>                                 | 121C141 | Black Cherry  | NC   | <input type="checkbox"/>   | 121C602 | Black Cherry - Cross Brace         | NC |
| <input type="checkbox"/>                                 | 121C10  | Black Opal  | NC   | <input type="checkbox"/>   | 121C603 | Black Opal - Cross Brace           | NC |
| <input type="checkbox"/>                                 | 121C38  | Blue Opal   | NC   | <input type="checkbox"/>   | 121C604 | Blue Opal - Cross Brace            | NC |
| <input type="checkbox"/>                                 | 121C36  | Candy Blue  | NC   | <input type="checkbox"/>   | 121C605 | Candy Blue - Cross Brace           | NC |
| <input type="checkbox"/>                                 | 121C14  | Candy Purple  | NC   | <input type="checkbox"/>   | 121C606 | Candy Purple - Cross Brace         | NC |
| <input type="checkbox"/>                                 | 121C35  | Candy Red   | NC   | <input type="checkbox"/>   | 121C607 | Candy Red - Cross Brace            | NC |
| <input type="checkbox"/>                                 | 121C142 | Electric Blue   | NC   | <input type="checkbox"/>   | 121C608 | Electric Blue - Cross Brace        | NC |
| <input type="checkbox"/>                                 | 121C143 | Evergreen   | NC   | <input type="checkbox"/>   | 121C609 | Evergreen - Cross Brace            | NC |
| <input type="checkbox"/>                                 | 121C126 | Glow  | NC   | <input type="checkbox"/>   | 121C610 | Glow - Cross Brace                 | NC |
| <input type="checkbox"/>                                 | 121C144 | Green Apple   | NC   | <input type="checkbox"/>   | 121C611 | Green Apple - Cross Brace          | NC |
| <input type="checkbox"/>                                 | 121C147 | Hot Sparkle Pink                                      | NC   | <input type="checkbox"/>   | 121C612 | Hot Sparkle Pink - Cross Brace     | NC |
| <input type="checkbox"/>                                 | 121C148 | Mauve Pink  | NC   | <input type="checkbox"/>   | 121C613 | Mauve Pink - Cross Brace           | NC |
| <input type="checkbox"/>                                 | 121C103 | Rootbeer  | NC   | <input type="checkbox"/>   | 121C614 | Rootbeer - Cross Brace             | NC |
| <input type="checkbox"/>                                 | 121C114 | Sparkle Silver  | NC   | <input type="checkbox"/>   | 121C615 | Sparkle Silver - Cross Brace       | NC |
| <input type="checkbox"/>                                 | 121C145 | Sunrise Orange  | NC   | <input type="checkbox"/>   | 121C616 | Sunrise Orange - Cross Brace       | NC |
| <input type="checkbox"/>                                 | 121C113 | Titanium Color Paint                                  | NC   | <input type="checkbox"/>   | 121C617 | Titanium Color Paint - Cross Brace | NC |
| <input type="checkbox"/>                                 | 121C8   | Yellow  | NC   | <input type="checkbox"/>   | 121C618 | Yellow - Cross Brace               | NC |
| <b>Standard Matte Colors</b>                             |         |   | <b>Standard Matte Colors</b>                   |  |         |                                    |    |
| <input type="checkbox"/>                                 | 121C116 | Matte Black   | NC   | <input type="checkbox"/>   | 121C619 | Matte Black - Cross Brace          | NC |
| <input type="checkbox"/>                                 | 121C151 | Matte Black Cherry                                    | NC   | <input type="checkbox"/>   | 121C620 | Matte Black Cherry - Cross Brace   | NC |
| <input type="checkbox"/>                                 | 121C152 | Matte Purple  | NC   | <input type="checkbox"/>   | 121C621 | Matte Purple - Cross Brace         | NC |
| <input type="checkbox"/>                                 | 121C150 | Matte Electric Blue                                   | NC   | <input type="checkbox"/>   | 121C622 | Matte Electric Blue - Cross Brace  | NC |
| <input type="checkbox"/>                                 | 121C149 | Matte Evergreen                                       | NC   | <input type="checkbox"/>   | 121C623 | Matte Evergreen - Cross Brace      | NC |
| <b>Custom Colors (Must choose cross brace std color)</b> |         |   | <b>Additional Options Through Built for Me</b> |  |         |                                    |    |
| <input type="checkbox"/>                                 | 121C43  | Mossy Oak Camouflage                                  | \$320.00                                       | <i>To inquire about any unique customization for Quickie products, contact: Phone: (800) 333-4000, Fax: (800) 333 9011</i> |         |                                    |    |
| <input type="checkbox"/>                                 | 121C42  | Stars and Stripes                                     | \$320.00                                       |  |         |                                    |    |
| <input type="checkbox"/>                                 | 121C108 | Zebra (Choose base color above: White Std, n/a black) | \$320.00                                       |  |         |                                    |    |



Commonly Requested Options Include:

- ✓ Solid Seat
- ✓ Grade Aid
- ✓ Drum Brake

