



Distributor Name: _____

Contact Name: _____

Address: _____

Postcode: _____

Country: _____

Telephone: _____

Email: _____

Dealers Name: _____

Client's Name: _____

Client's Weight: _____

Client's Height: _____

Client's Disability: _____

Purchase Order No: _____

Delivery Address: _____

Postcode: _____

Contact Name: _____

Telephone: _____

Email: _____

Notes/Comments:

Do Not Use for Specification Information

FOR RGK OFFICE USE ONLY

Distributor: _____

A/C No: _____

Net Value: \$ _____

Freight: \$ _____

Invoice Value: \$ _____

Payment Received: \$ _____

	Who	Date
OK to Quote:		
OK to Confirm:		
Document No:	DOC	

<input checked="" type="checkbox"/>	Base Product	<input type="checkbox"/>	Mandatory Information	<input type="checkbox"/>	Information Required for Option
<input checked="" type="checkbox"/>	Standard Configuration	<input type="checkbox"/>	Option with No extra cost	<input type="checkbox"/>	Option with Extra cost

<input checked="" type="checkbox"/>	HLTXZ010	Hi Lite Titanium			
		\$ 5,145.00			

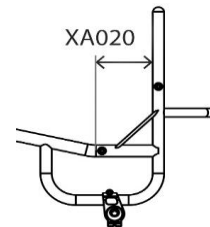
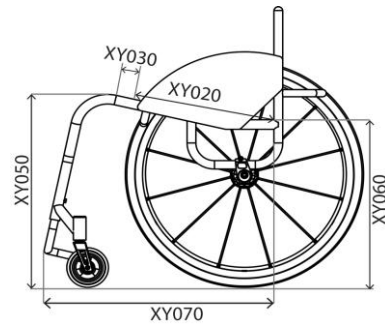
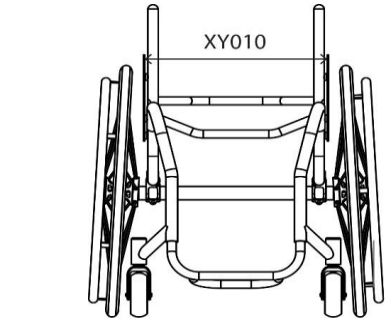
<input type="checkbox"/>	<input type="checkbox"/>	XA070	Frame open design	
<input type="checkbox"/>	<input type="checkbox"/>	XA080	Frame closed design	

Max User Weight 125kg

<input type="checkbox"/>	XW010	NC
--------------------------	-------	----

KEY FRAME MEASUREMENTS

- XY010 Seat width *(Inside of sideguards)*
 (Max - 500mm) (Min - 250mm)
- XY020 Seat length
 (Max - 500mm) (Min - 250mm)
- XY030 Seat frame additional length *(Provides additional leg support & hand grip)*
- XY050 Front frame height
 (Max - 550mm) (Min - 380mm)
- XY060 Rear frame height
 (Max - 550mm) (Min - 360mm)
- XY070 Frame length
 (Min XY020 + XY030 + 110mm)
- XA020 Frame ergonomic seat
 \$ 93.00
 Specify length (Standard = 120mm)



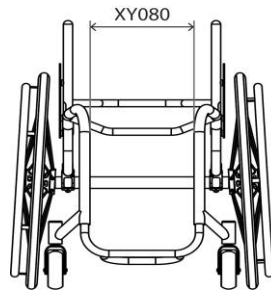
FRONT FRAME AND FOOTREST

Front Frame Options

- XY080 Front seat taper design

Specify width
 mm

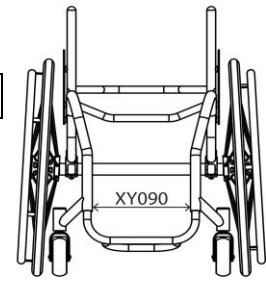
(Optional, To provide additional leg support / positioning)



- Footrest width

Specify width
 mm

(When combined with XY080, Dimensions must be smaller)

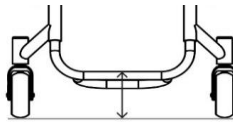


Footrest Design & Measurements (Choose One)

- XY100 Footrest round design (Minimum 60mm)

Please indicate front footrest height:

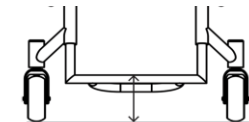
60 80 100 120
 Individual mm



- XY105 Footrest square design (Square design allows higher position) (Minimum 60mm)

Please indicate front footrest height:

60 80 100 120
 Individual mm



- XB200 Footrest with high level riser system (Only with \$ 155.00 XB010, XB080 & XB150)

- XB200 Footrest with high level riser system (Only with \$ 155.00 XB010, XB080 & XB150)

Footrest Individual Measurements

Rear footrest height

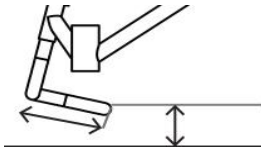
mm

- Optimise measurements (Standard = Footrest height - 20mm)

Footrest length

mm

- Optimise measurements (Standard = 100mm)



Footrest Style (Choose One)

- XB020 Footrest height adjustable tubular titanium

- XB030 Footrest height and angle adjustable flip up left and right (Not with XA070) \$ 273.00

- XB070 Footrest height & angle adjustable aluminium plate \$ 160.00

- XB150 Footrest height adjustable tubular heavy duty \$ 139.00

- HLTXB080 Footrest fixed position welded into frame \$ 93.00

Footrest Cover

- XB050 Footrest cover carbon fibre (Not XB070 & XB030) \$ 191.00

- XB170 Footrest cover - aluminium (Not XB070 & XB030) \$ 77.00

- XB040 Footrest cover - ABS (Not XB070 & XY030) \$ 77.00

- XB160 Footrest grip tape fitted to any footrest cover (Standard with XB070, not XB030) \$ 41.00

CASTOR WHEELS, FORKS & WHEEL LOCKS

Castor Wheels

3"

- XC150 Castor wheel 3x1.4" aluminium centre frog legs (Silver hub and black urethane tyre)
\$ 180.00

4"

- XC060 Castor wheel 4x1.3" soft roll black
- XC110 Castor wheel 4x1" aluminium centre frog legs (Silver hub & black urethane tyre)
\$ 180.00
- XC130 Castor wheel 4x1.4" aluminium centre with urethane tyre frog legs
\$ 180.00 Choose colour below (XC130 Only):

FROG LEG



- | | | | |
|--|--|--|---|
| <input type="checkbox"/> Silver hub & black tyre (Std) | <input type="checkbox"/> Black hub & blue tyre | <input type="checkbox"/> Purple hub & black tyre | <input type="checkbox"/> Silver hub & blue tyre |
| <input type="checkbox"/> Black hub & black tyre | <input type="checkbox"/> Red hub & black tyre | <input type="checkbox"/> Gold hub & black tyre | <input type="checkbox"/> Silver hub & red tyre |
| <input type="checkbox"/> Black hub & red tyre | <input type="checkbox"/> Blue hub & black tyre | <input type="checkbox"/> Green hub & black tyre | |


5"

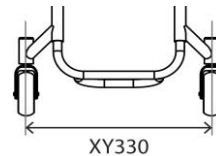
- XC070 Castor wheel 5x1.3" soft roll black
- XC100 Castor wheel 5" pneumatic aluminium centre
\$ 191.00
- XC120 Castor wheel 5x1" aluminium centre frog legs (Silver hub & black urethane tyre)
\$ 180.00
- XC140 Castor wheel 5x1.4" aluminium centre frog legs (Silver hub & black urethane tyre)
\$ 180.00

Castor Forks

- | | | |
|--|---|--|
| <input type="checkbox"/> XC190 Castor fork low ride daily use (Standard when no option selected) | <input type="radio"/> XC210 Castor fork suspension frog legs
\$ 489.00 | <input type="radio"/> XC220 Castor fork single sided uni tine frog legs
\$ 191.00 |
| <input type="checkbox"/> Black <input type="checkbox"/> Silver | <input type="checkbox"/> Black <input type="checkbox"/> Silver | <input type="checkbox"/> Black <input type="checkbox"/> Silver |

Castor Pin Width

- XY330 Castor pin width
- 
-
- mm
- Optimise measurements (Minimum width for clear castor rotation and maximum wheelbase length)



Wheel Lock Options

Scissor

- XD020 Wheel locks underseat scissor
- XD040 Wheel locks scissor levers drilled
\$ 57.00
- XD030 Wheel locks compact scissor
\$ 206.00
- XD035 Wheel locks compact scissor with lightweight fixing
\$ 273.00 (Only with fixed centre of gravity)

Other

- XD050 Wheel locks push to lock
- XD010 Wheel locks omit

Choose one castor option only

SIDEGUARDS AND ARMRESTS

Sideguard		Sideguard with Fender	
Aluminium Options		Aluminium Options	
<input type="radio"/>	XE030 Sideguards screw on aluminium \$ 252.00	<input type="radio"/>	XE040 Sideguards screw on aluminium with fender \$ 216.00
<input type="radio"/>	XE080 Sideguards lift out aluminium \$ 412.00	<input type="radio"/>	XE090 Sideguards lift out aluminium with fender \$ 448.00
<input type="radio"/>	XE180 Sideguards flip back aluminium \$ 304.00	<input type="radio"/>	XE190 Sideguards flip back aluminium with fender \$ 258.00
Carbon Fibre Options		Carbon Fibre Options	
<input type="radio"/>	XE050 Sideguards screw on carbon fibre \$ 561.00	<input type="radio"/>	XE060 Sideguards screw on carbon fibre with fender \$ 736.00
<input type="radio"/>	XE100 Sideguards lift out carbon fibre \$ 592.00	<input type="radio"/>	XE110 Sideguards lift out carbon fibre with fender \$ 876.00
<input type="radio"/>	XE200 Sideguards flip back carbon fibre \$ 464.00	<input type="radio"/>	XE210 Sideguards flip back carbon fibre with fender \$ 577.00
ABS Plastic Options		Sideguard Measurements	
<input type="radio"/>	XE070 Sideguards screw on ABS plastic \$ 129.00	Optimised measurements	
<input type="radio"/>	XE120 Sideguards lift out ABS plastic \$ 376.00	Fender sideguard height above tyre (Min = 10mm)	
Welded Options			
<input type="radio"/>	HLTXE220 Sideguards welded with 6mm bead \$ 386.00	<input type="checkbox"/> Optimise (10mm above tyre)	
<input type="radio"/>	HLTXE240 Sideguards welded sport \$ 489.00 <i>(Extra strong)</i>		
Armrest Options		Individual measurements	
<input type="radio"/>	XF010 Armrest fixed height, lift out with plastic sideguard \$ 458.00 (Indicate height)	<input type="checkbox"/> Fender sideguard to centre of tyre (Standard if no option selected)	
<input type="radio"/>	XF020 Armrest fixed height, lift out with aluminium sideguard \$ 361.00 (Indicate height)		
Height (Top of seatrail to top of armrest)		<input type="checkbox"/> Fender sideguard to outside of tyre	
<input type="info"/>	<input type="text" value="mm"/>		
Sideguard Measurements		Choose optimised or individual measurements	
Optimised measurements		<input type="checkbox"/> Sideguard 25mm above tyre (Follow tyre - Std if not indicated)	
<input type="checkbox"/> Sideguard individual above tyre (Follow tyre)			
<input type="info"/>		<input type="checkbox"/> Sideguard level with tyre (Follow tyre)	
<input type="text" value="mm"/>			
Individual measurements		<input type="checkbox"/> Sideguard length	
<input type="text" value="mm"/>			
Sideguard height		<input type="text" value="mm"/>	
<input type="text" value="mm"/>			

BACKREST									
Backrest Height - Fixed or Adjustable (Choose One)									
<input type="checkbox"/> Backrest height fixed Specify height <input style="width: 100px;" type="text"/> mm 	<input type="radio"/> XY245 \$ 191.00 Backrest height adjustable (Upward range 50mm) Indicate lowest height <input style="width: 100px;" type="text"/> mm 								
Backrest Design - Fixed or Folding (Choose One)									
<input type="checkbox"/> XG010 Backrest fixed (Non-folding)	<input type="radio"/> HLTXG020 Backrest folding with 2 position snap lock and angle adjust (± 5 Deg)								
Ergonomics - Rearward Positioning (Choose One)									
XY360 Backrest angle -5 -3 0 +3 +5 Individual <input style="width: 100px;" type="text"/> Deg (Max -10/+20 Deg) 	<input type="radio"/> XG100 Backrest ergonomic \$ 113.00 Vertical height (Min 250mm) <input style="width: 100px;" type="text"/> mm Rearward position <input style="width: 100px;" type="text"/> mm 								
Ergonomics - Lateral Positioning (Choose One)									
<input type="radio"/> XG110 Backrest inward taper (Above sideguards) \$ 113.00 Width <input style="width: 100px;" type="text"/> mm 	<input type="radio"/> XG120 Backrest outward flare (Above sideguards) \$ 113.00 Width <input style="width: 100px;" type="text"/> mm 								
Push handle Options									
<input type="radio"/> XG070 Backrest with screw in push handles (N/A with XY245) \$ 175.00	<input type="radio"/> XG090 Backrest with height adjustable push handles \$ 340.00 Height from floor <input style="width: 100px;" type="text"/> mm <input type="checkbox"/> Optimise (1000mm from floor)								
Backrest Options									
<input type="radio"/> XG040 Backrest fixed heavy duty (Recommended for hand cycling) (N/A with XY245) \$ 160.00	<input type="radio"/> XG130 Backrest brace tube extra deep (Standard - 90mm) \$ 88.00 Depth <input style="width: 100px;" type="text"/> mm								
ILSA Backrest Options									
<input type="radio"/> XG140 Backrest integrated lateral support clamp (ILSA) \$ 370.00 <table style="width: 100%; border: none;"> <tr> <td style="width: 50%;">A - Left <input style="width: 100px;" type="text"/> mm</td> <td style="width: 50%;">A - Right <input style="width: 100px;" type="text"/> mm</td> </tr> <tr> <td>B - Left <input style="width: 100px;" type="text"/> mm</td> <td>B - Right <input style="width: 100px;" type="text"/> mm</td> </tr> <tr> <td>C - Left <input style="width: 100px;" type="text"/> mm</td> <td>C - Right <input style="width: 100px;" type="text"/> mm</td> </tr> <tr> <td>D - Left <input style="width: 100px;" type="text"/> mm</td> <td>D - Right <input style="width: 100px;" type="text"/> mm</td> </tr> </table>	A - Left <input style="width: 100px;" type="text"/> mm	A - Right <input style="width: 100px;" type="text"/> mm	B - Left <input style="width: 100px;" type="text"/> mm	B - Right <input style="width: 100px;" type="text"/> mm	C - Left <input style="width: 100px;" type="text"/> mm	C - Right <input style="width: 100px;" type="text"/> mm	D - Left <input style="width: 100px;" type="text"/> mm	D - Right <input style="width: 100px;" type="text"/> mm	
A - Left <input style="width: 100px;" type="text"/> mm	A - Right <input style="width: 100px;" type="text"/> mm								
B - Left <input style="width: 100px;" type="text"/> mm	B - Right <input style="width: 100px;" type="text"/> mm								
C - Left <input style="width: 100px;" type="text"/> mm	C - Right <input style="width: 100px;" type="text"/> mm								
D - Left <input style="width: 100px;" type="text"/> mm	D - Right <input style="width: 100px;" type="text"/> mm								

CAMBER BAR

Adjustable Centre of Gravity		Fixed Centre of Gravity	
Centre of gravity - Choose one	<input type="checkbox"/> XH110 Camber bar adjustable position square back frame (25-150mm) (Open or closed frame) XH110 <input type="text" value="mm"/>	Centre of gravity - Choose one	<input type="radio"/> HLTXH090 Camber bar fixed position integrated into frame V design (25-125mm) (Open or closed frame) HLTXH090 <input type="text" value="mm"/>
	<input type="checkbox"/> XH120 Centre of gravity adjustable round back frame (60-150mm) (Open or closed frame) XH120 <input type="text" value="mm"/>		<input type="radio"/> HLTXH090 Camber bar fixed position integrated into frame V design (25-125mm) (Open or closed frame) HLTXH090 <input type="text" value="mm"/>
Specify Camber Angle		Specify Camber Angle	
<input checked="" type="checkbox"/> XY390 Camber angle <input type="checkbox"/> 0 <input type="checkbox"/> 1 <input type="checkbox"/> 2 <input type="checkbox"/> 3 <input type="checkbox"/> 5	<input checked="" type="checkbox"/> XY390 Camber angle <input type="checkbox"/> 0 <input type="checkbox"/> 1 <input type="checkbox"/> 2 <input type="checkbox"/> 3 <input type="checkbox"/> 5		
Camber Bar Options		Camber Bar Options	
<input type="radio"/> XH030 Suspension camber bar \$ 659.00 frog legs <input type="radio"/> XH040 Handbike camber bar fixed welded \$ 309.00 Camber angle (Handbike camber bar) <input type="checkbox"/> 0 <input type="checkbox"/> 5 Castor height from floor for handbike fitting (Standard 30mm if not indicated) <input type="checkbox"/> 30 <input type="checkbox"/> 50	<input type="radio"/> XH040 Handbike camber bar fixed welded \$ 309.00 Camber angle (Handbike camber bar) <input type="checkbox"/> 0 <input type="checkbox"/> 5 Castor height from floor for handbike fitting (Standard 30mm if not indicated) <input type="checkbox"/> 30 <input type="checkbox"/> 50		
Anti-Tip Options			
<input type="radio"/> XJ010 Anti tip swingaway left side (Only with square back frame. Not with XH040) \$ 129.00	<input type="radio"/> XJ020 Anti tip swingaway right side (Only with square back frame. Not with XH040) \$ 129.00		

REAR WHEELS		
Wheel Size		
<input type="checkbox"/> XY420 Wheel size 24"	<input type="checkbox"/> XY430 Wheel size 25"	
<input type="checkbox"/> XY440 Wheel size 26"		
Wheel Gap		
<input checked="" type="checkbox"/> XY460 Rear wheel gap <div style="display: flex; align-items: center; gap: 10px;"> <div style="text-align: center;"> <p>15</p> <input type="checkbox"/> </div> <div style="text-align: center;"> <p>20</p> <input type="checkbox"/> </div> <div style="text-align: center;"> <p>25</p> <input type="checkbox"/> </div> </div> <div style="margin-top: 5px; border: 1px solid black; width: 100px; text-align: right; padding-right: 5px;">mm</div>		
Wheel Options (Choose one)		
<input type="checkbox"/> XK010 Wheel Sun Fusion 16 spoke daily use	<input type="checkbox"/> XK320 Spinerger XLX 12 spoke cross spoked daily \$ 824.00 (select colour below)	
<input type="radio"/> XK050 Wheel Spinerger LX 12 spoke daily use \$ 773.00 (select colour below)	<input type="radio"/> XK060 Wheel Spinerger SPOX 18 spoke daily (select colour below) \$ 515.00	
<input type="radio"/> XK210 Wheel Topolino carbon core with red accents \$ 1,545.00 (24", 25" only)	<input type="radio"/> XK070 Wheel Spinerger BLXL 18 blade spoke daily, rivnut handrim mounting (select colour below - Note: Black hub only) \$ 824.00	
<div style="display: flex; align-items: center;"> <div style="margin-right: 10px;"></div> <div> <p>Spinerger Colour Options</p> <div style="display: flex; flex-wrap: wrap; gap: 10px;"> <div style="width: 45%;"> <input type="checkbox"/> Black spoke / Silver hub </div> <div style="width: 45%;"> <input type="checkbox"/> White spoke / Black Hub </div> <div style="width: 45%;"> <input type="checkbox"/> Red spoke / Black hub </div> <div style="width: 45%;"> <input type="checkbox"/> Blue spoke / Black hub </div> <div style="width: 45%;"> <input type="checkbox"/> Yellow spoke / Black hub </div> <div style="width: 45%;"> <input type="checkbox"/> Green spoke / Black hub </div> <div style="width: 45%;"> <input type="checkbox"/> Pink spoke / Black hub </div> <div style="width: 45%;"> <input type="checkbox"/> Orange spoke / black hub </div> </div> <div style="margin-top: 10px;"> <input type="radio"/> XK190 Spinerger black hub with black spokes \$ 93.00 </div> </div> </div>		<div style="display: flex; align-items: center;"> <div style="margin-right: 10px;"></div> <div> <input type="radio"/> XK180 Spinerger spoke colour custom \$ 165.00 (Specify below) Colour inside <div style="border: 1px solid black; width: 100px; height: 20px; margin: 2px;"></div> Colour outside <div style="border: 1px solid black; width: 100px; height: 20px; margin: 2px;"></div> <i>Note: Supply picture for custom designs</i> </div> </div> <div style="margin-top: 10px;"> <input type="radio"/> XK200 Spinerger silver hub with coloured spokes \$ 98.00 </div>
<input type="radio"/> XK040 Wheel omit / supply without \$ (206.00) (Specify wheel type / size / tyre)	<div style="border: 1px solid black; width: 100%; height: 20px;"></div>	
Handrim Position		
<input type="checkbox"/> Handrim set narrow <i>(Standard if no option selected)</i>	<input type="checkbox"/> Handrim set wide	
Handrim Options		
<input type="checkbox"/> XL010 Handrim aluminium hard anodised 6 tab <i>(Standard if No option selected)</i>	<input type="radio"/> XL040 Handrim titanium 6 tab \$ 345.00	
<input type="radio"/> XL030 Handrim surge LT 6 tab \$ 484.00	<input type="radio"/> XL050 Handrim stainless steel 6 tab \$ 191.00	
<input type="radio"/> XL020 Handrim tetra grip 6 tab \$ 309.00	<input type="radio"/> XL090 Handrim remove excess mounting tab \$ 113.00 (Recommended when XY460 is 20mm or less) (Narrow Set Only)	
<input type="radio"/> XL100 Handrim para grip 6 tab \$ 309.00		
Tyre Options		
<input type="checkbox"/> XM010 Kenda Tyre High Pressure	<div style="display: flex; align-items: center;"> <div style="margin-right: 10px;"></div> <div> <input type="checkbox"/> Grey <i>(Standard if no option selected)</i> </div> <div style="margin-left: 10px;"> <input type="checkbox"/> Blue </div> <div style="margin-left: 10px;"> <input type="checkbox"/> Red </div> </div>	
<input type="radio"/> XM130 Kenda black \$ 21.00	<input type="radio"/> XM060 Tyre Schwalbe One (24",25" only) \$ 103.00	
<input type="radio"/> XM020 Tyre Schwalbe Marathon Plus \$ 77.00	<input type="radio"/> XM050 Tyre Kenda K885 mountain bike tyre \$ 31.00 (24",25" only)	
<input type="radio"/> XM040 Tyre Shox solid airless black only \$ 124.00 (24",25" only)		
Inner Tube Valve Options		
<input type="checkbox"/> XY500 Schraeder inner tube valve <i>(Standard if no option selected)</i>	<input type="checkbox"/> XY490 Presta inner tube valve	
Wheel Accessories		
<input type="radio"/> XK220 Wheel titanium quick release axle pin (pair) \$ 124.00 (N/A with XK010 & XK070)	<input type="radio"/> XK300 Offroad wheel set 22" rim with handrim, MTB tyre and axle pins (Replaces 24" wheel with XM010) \$ 721.00	
<input type="radio"/> XK240 Wheel quad release axle nut (pair) \$ 185.00	<input type="radio"/> XK310 Offroad wheel set 24" rim with handrim, MTB tyre and axle pins (Replaces 25" wheel with XM010) \$ 721.00	
<input type="radio"/> XK250 Wheel transparent polycarbonate spokeguard (pair) \$ 139.00		

FRAME FINISH OPTIONS		
Frame	Components	
<input type="checkbox"/> XN010 Finish frame powder coated <i>(Includes H-frame)</i> <input type="checkbox"/> Specify Code <input style="width: 100px; height: 20px;" type="text"/> <input type="radio"/> HLTXN030 Finish frame brushed \$ 165.00 <input type="radio"/> HLTXN050 Finish frame polished \$ 515.00	<input type="checkbox"/> XN150 Finish components powder coated <i>(Footrest, camber bar & sideguards) (Standard black if not indicated)</i> <input type="checkbox"/> Specify Code <input style="width: 100px; height: 20px;" type="text"/> <input type="radio"/> XN160 Finish components brushed \$ 93.00 <i>(Footrest, camber bar & sideguards)</i> <input type="radio"/> XN170 Finish components polished \$ 165.00 <i>(Footrest, camber bar & sideguards)</i>	
UPHOLSTERY		
Seat Upholstery		
<input type="checkbox"/> XP040 Upholstery seat sling adjustable tension with straps <i>(Standard if not indicated)</i>	<input type="radio"/> XR050 Accessory carbon fibre seat plate in lieu of seat upholstery \$ 371.00	
Backrest Upholstery		
<input type="checkbox"/> XP050 Upholstery backrest Airtech adjustable tension with straps <i>(Standard if not indicated)</i>		
Backrest Upholstery Leather Options		
<input type="radio"/> XP060 Upholstery backrest upgrade to full leather \$ 386.00		
<input type="checkbox"/> Leather colour black <i>(Standard if not indicated)</i>	<input type="checkbox"/> Leather colour red	<input type="checkbox"/> Leather colour grey
<input type="radio"/> XP070 Upholstery upgrade to leather corners on side wings - <i>(N/A with XG080)</i> \$ 93.00		
<input type="checkbox"/> Leather colour black <i>(Standard if not indicated)</i>	<input type="checkbox"/> Leather colour red	<input type="checkbox"/> Leather colour grey
Backrest Upholstery Stitching Options		
<input type="checkbox"/> Silver <i>(Standard if not indicated)</i>	<input type="checkbox"/> Black	<input type="checkbox"/> Blue
<input type="checkbox"/> Red	<input type="checkbox"/> Light blue	<input type="checkbox"/> Purple
Backrest Upholstery Logo Options		
<input type="checkbox"/> Silver <i>(Standard if not indicated)</i>	<input type="checkbox"/> Black	<input type="checkbox"/> Blue
<input type="checkbox"/> Red	<input type="checkbox"/> Light blue	<input type="checkbox"/> Purple
Backrest Accessories		
<input type="radio"/> XP110 Upholstery backrest with zip fasten pocket \$ 98.00	<input type="radio"/> XP170 Upholstery with individual embroidery \$ 155.00 <i>(Please provide .jpeg file and positioning)</i>	

CUSHION

- XP080** Upholstery cushion foam with nylon cover
 \$ 93.00
 - Cushion foam soft (CMS040)**
 - Cushion thickness 50mm**
- Cushion foam medium (CMS050)**
- Cushion thickness 75mm**
- Cushion foam hard (9lb recon)**
- Cushion thickness 100mm**
- XP090** Upholstery cushion cover upgrade to Air Lite
 \$ 77.00
- XP100** Upholstery cushion cover upgrade to leather
 \$ 196.00
 - Leather colour black**
 - Leather colour red**
 - Leather colour grey**

FRAME OPTIONS

- XR060** Accessory welded calf strap mounting loops
 \$ 118.00 *(To locate calf strap on front frame)*
- XR080** Accessory front wheel assembly *(Only with XB010, XB080, XB150)*
 \$ 814.00
 - Frontwheel serial number
 - (Office use only)*

ACCESSORIES

- XP420** Upholstery frame protectors nylon with velcro fasten
 \$ 62.00
- XR010** Accessory seat pouch velcro attach
 \$ 46.00 *(Black)*
- XR020** Accessory large underseat storage bag *(Black)*
 \$ 98.00
- XR090** Accessory toolkit
- XS060** Accessory calf strap

NOTES

Blank area for notes.

Grid area for notes.