



JAY[®] BASIC^{PRO} Cushion July 2016

Mark For: Date: _____ Dealer Acct #: _____ Dealer: _____ Dealer Contact: _____ Dealer Address: _____ Dealer City: _____ PR _____ PC _____ Dealer Phone: () _____ Fax: () _____ Confirmation Email: _____ Confirm Via: <input type="checkbox"/> Fax <input type="checkbox"/> Email	Submitting for: <input type="checkbox"/> Quote <input type="checkbox"/> Order PO#: _____ <p style="text-align: center;">ADDITIONAL SHIPPING INFORMATION</p> Ship To: _____ Attention: _____ Address: _____ Address: _____ Ship To City: _____ PR _____ PC _____ Ship To Phone: () _____ Fax: () _____
---	--

JAY BASIC ^{PRO} CUSHION Less than 22" in Width (300lb weight capacity)					
<input type="checkbox"/>	JBASICP1414	JAY BASIC ^{PRO} Cushion 14" X 14"	13-3/4"	14"	\$184.00
<input type="checkbox"/>	JBASICP1416	JAY BASIC ^{PRO} Cushion 14" X 16"	13-3/4"	16"	\$184.00
<input type="checkbox"/>	JBASICP1418	JAY BASIC ^{PRO} Cushion 14" X 18"	13-3/4"	18"	\$184.00
<input type="checkbox"/>	JBASICP1518	JAY BASIC ^{PRO} Cushion 15" X 18"	14-3/4"	18"	\$184.00
<input type="checkbox"/>	JBASICP15516	JAY BASIC ^{PRO} Cushion 15.5" X 16"	15-1/4"	16"	\$184.00
<input type="checkbox"/>	JBASICP1617	JAY BASIC ^{PRO} Cushion 16" X 17"	15-3/4"	17"	\$184.00
<input type="checkbox"/>	JBASICP1618	JAY BASIC ^{PRO} Cushion 16" X 18"	15-3/4"	18"	\$184.00
<input type="checkbox"/>	JBASICP1620	JAY BASIC ^{PRO} Cushion 16" X 20"	15-3/4"	20"	\$184.00
<input type="checkbox"/>	JBASICP1716	JAY BASIC ^{PRO} Cushion 17" X 16"	17"	16"	\$184.00
<input type="checkbox"/>	JBASICP1717	JAY BASIC ^{PRO} Cushion 17" X 17"	17"	17"	\$184.00
<input type="checkbox"/>	JBASICP1718	JAY BASIC ^{PRO} Cushion 17" X 18"	17"	18-1/2"	\$184.00
<input type="checkbox"/>	JBASICP1816	JAY BASIC ^{PRO} Cushion 18" X 16"	17-1/2"	16"	\$184.00
<input type="checkbox"/>	JBASICP1817	JAY BASIC ^{PRO} Cushion 18" X 17"	17-1/2"	17-1/2"	\$184.00
<input type="checkbox"/>	JBASICP1818	JAY BASIC ^{PRO} Cushion 18" X 18"	17-1/2"	18"	\$184.00
<input type="checkbox"/>	JBASICP1820	JAY BASIC ^{PRO} Cushion 18" X 20"	17-3/4"	20"	\$184.00
<input type="checkbox"/>	JBASICP1916	JAY BASIC ^{PRO} Cushion 19" X 16"	18-3/4"	16-1/2"	\$184.00
<input type="checkbox"/>	JBASICP1917	JAY BASIC ^{PRO} Cushion 19" X 17"	18-3/4"	17-1/2"	\$184.00
<input type="checkbox"/>	JBASICP1918	JAY BASIC ^{PRO} Cushion 19" X 18"	18-3/4"	18-1/4"	\$184.00
<input type="checkbox"/>	JBASICP1920	JAY BASIC ^{PRO} Cushion 19" X 20"	18-3/4"	20"	\$184.00
<input type="checkbox"/>	JBASICP2016	JAY BASIC ^{PRO} Cushion 20" X 16"	19-3/4"	16-1/2"	\$184.00
<input type="checkbox"/>	JBASICP2018	JAY BASIC ^{PRO} Cushion 20" X 18"	19-3/4"	18"	\$184.00
<input type="checkbox"/>	JBASICP2020	JAY BASIC ^{PRO} Cushion 20" X 20"	19-1/2"	20"	\$184.00

JAY BASIC ^{PRO} CUSHION 22" in Width and Greater (500lb weight capacity)					
<input type="checkbox"/>	JBASICP2218	JAY BASIC ^{PRO} Cushion 22" X 18"	21-3/4"	18"	\$237.00
<input type="checkbox"/>	JBASICP2220	JAY BASIC ^{PRO} Cushion 22" X 20"	21-3/4"	20"	\$237.00
<input type="checkbox"/>	JBASICP2222	JAY BASIC ^{PRO} Cushion 22" X 22"	21-3/4"	22-1/2"	\$237.00
<input type="checkbox"/>	JBASICP2418	JAY BASIC ^{PRO} Cushion 24" X 18"	23-3/4"	18"	\$237.00
<input type="checkbox"/>	JBASICP2420	JAY BASIC ^{PRO} Cushion 24" X 20"	23-3/4"	20"	\$237.00
<input type="checkbox"/>	JBASICP2422	JAY BASIC ^{PRO} Cushion 24" X 22"	23-1/2"	22-1/2"	\$237.00
<input type="checkbox"/>	JBASICP2424	JAY BASIC ^{PRO} Cushion 24" X 24"	23-1/2"	24"	\$237.00

JAY BASIC ^{PRO} OPTIONAL INNER COVER				
<input type="checkbox"/>	ICJBASICPXXYY	JAY BASIC ^{PRO} Inner Cover	See Above	\$53.00

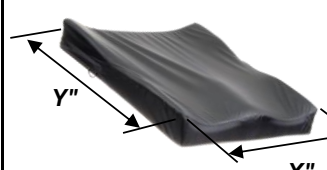
Note: To order an optional inner cover simply add a separate line item to your order. The part number for the inner cover is the same as the cushion with "IC" added to the beginning.

JAY Basic ^{Pro} Size Matrix													
		WIDTH											
		14	15	15.5	16	17	18	19	20	21	22	23	24
DEPTH	14		JYW	JYW	JYW	JYW	JYW	JYW	JYW	N/A	N/A	N/A	N/A
	15	JYW	JYW	JYW	JYW	JYW	JYW	JYW	JYW	N/A	N/A	N/A	N/A
	16		JYW		JYW					JYW	JYW	JYW	JYW
	17	JYW	JYW	JYW					JYW	JYW	JYW	JYW	JYW
	18			JYW						JYW		JYW	
	19	N/A	JYW	JYW	JYW	JYW	JYW	JYW	JYW	JYW	JYW	JYW	JYW
	20	N/A	JYW	JYW		JYW				JYW		JYW	
	21	N/A	N/A	N/A	N/A	N/A	N/A	N/A	JYW	JYW	JYW	JYW	JYW
22	N/A	N/A	N/A	N/A	N/A	N/A	N/A	JYW	JYW		JYW		
23	N/A	N/A	N/A	N/A	N/A	N/A	N/A	N/A	N/A	JYW	JYW	JYW	
24	N/A	N/A	N/A	N/A	N/A	N/A	N/A	N/A	N/A	JYW	JYW		

= Standard Offering
 JYW = Offered Via Jay Your Way
 N/A = Not available

JAY Basic^{Pro} Measuring Guide

Measurements made from completed cushion with covers.

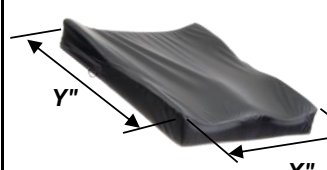


Width

X = Width

Note: Measurement made from top outside edge to top outside edge of the cushion.

Ex: JBASICP1620 X=15-3/4"



Depth

Y = Depth

Note: Measurement made from front top edge and rear top edge of cushion.

Ex: JBASICP1620 Y= 20"

JAY YOUR WAY MODIFICATIONS

Note: To order sizes offered via JAY Your Way add a "M" to the front of the part number and follow the prompts. Please refer to the "JAY YOUR WAY" product catalog for complete listing of modifications

Please visit www.sunparts.ca for spare parts information.

