



**JAY® J3 Carbon Fiber
Posterior (PA) Backrest E2613**



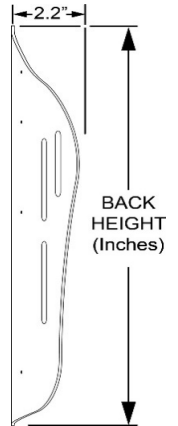
July 2017

Mark For: _____ Date: _____ Dealer Acct #: _____ Dealer: _____ Dealer Contact: _____ Dealer Address: _____ Dealer City: _____ PV: _____ PC: _____ Dealer Phone: () _____ Fax: () _____ Confirmation Email: _____ Confirm Via: <input type="checkbox"/> Fax <input type="checkbox"/> Email	Submitting for: <input type="checkbox"/> Quote <input type="checkbox"/> Order PO#: _____ <p style="text-align: center;">ADDITIONAL SHIPPING INFORMATION</p> Ship To: _____ Attention: _____ Address: _____ Address: _____ Ship To City: _____ PV: _____ PC: _____ Ship To Phone: () _____ Fax: () _____
---	--

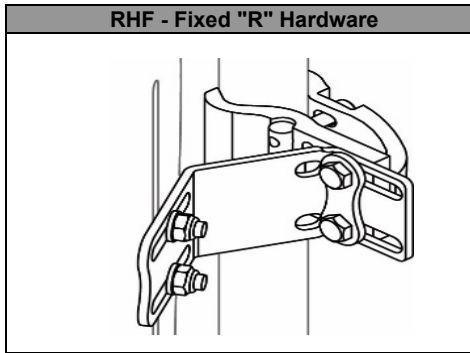
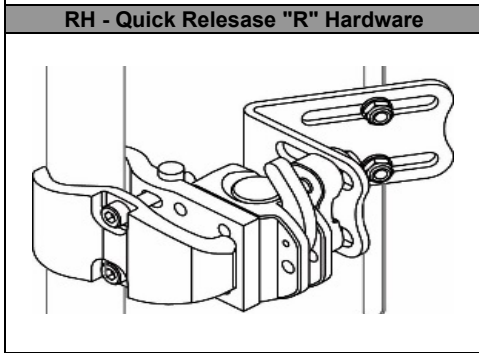
JAY J3 Carbon Fiber Posterior (PA) Backrest - E2613



BACKREST WIDTH	14"	16"	18"	20"
BACKCANE WIDTHS	14"- 16"	16"- 18"	18"- 20"	20"- 22"
MAX. USER TRUNK WIDTH	13"	15"	17"	19"



Backrest Height	Lower Thoracic (LT)									
		6.5" (S)	J3CFPALTSxxRH	<input type="checkbox"/> 14	\$1,167	<input type="checkbox"/> 16	\$1,273	<input type="checkbox"/> 18	\$1,379	
		J3CFPALTSxxRHF	<input type="checkbox"/> 14	\$1,167	<input type="checkbox"/> 16	\$1,273	<input type="checkbox"/> 18	\$1,379		
8.0" (M)										
9.5" (T)		J3CFPALTTxxRH	<input type="checkbox"/> 14	\$1,167	<input type="checkbox"/> 16	\$1,273	<input type="checkbox"/> 18	\$1,379	<input type="checkbox"/> 20	\$1,485
		J3CFPALTTxxRHF	<input type="checkbox"/> 14	\$1,167	<input type="checkbox"/> 16	\$1,273	<input type="checkbox"/> 18	\$1,379	<input type="checkbox"/> 20	\$1,485
	Mid Thoracic (MT)									
	12.0" (S)	J3CFPAMTSxxRH	<input type="checkbox"/> 14	\$1,221	<input type="checkbox"/> 16	\$1,323	<input type="checkbox"/> 18	\$1,433	<input type="checkbox"/> 20	\$1,539
		J3CFPAMTSxxRHF	<input type="checkbox"/> 14	\$1,221	<input type="checkbox"/> 16	\$1,323	<input type="checkbox"/> 18	\$1,433	<input type="checkbox"/> 20	\$1,539
	13.5" (M)									
	15.0" (T)	J3CFPAMTTxxRH	<input type="checkbox"/> 14	\$1,221	<input type="checkbox"/> 16	\$1,323	<input type="checkbox"/> 18	\$1,433	<input type="checkbox"/> 20	\$1,539
		J3CFPAMTTxxRHF	<input type="checkbox"/> 14	\$1,221	<input type="checkbox"/> 16	\$1,323	<input type="checkbox"/> 18	\$1,433	<input type="checkbox"/> 20	\$1,539



JAY YOUR WAY MODIFICATIONS

Note: To order sizes offered via JAY Your Way add a "M" to the front of the part number and follow the prompts.
 For additional modifications visit www.sunrisemedical.com to view even more!

MILITARY SERVICE PATCHES			
<input type="checkbox"/>	VAPH	Purple Heart Service Patch	NC
<input type="checkbox"/>	VAM	Marine Service Patch	NC
<input type="checkbox"/>	VAA	Army Service Patch	NC
<input type="checkbox"/>	VAAF	Air Force Service Patch	NC
<input type="checkbox"/>	VAN	Navy Service Patch	NC
<input type="checkbox"/>	VACG	Coast Guard Service Patch	NC
COVER COLOR OPTIONS - Rear Center Flap			
<input type="checkbox"/>	DCC	Digital Camouflage Cover	NC

SPINAL FLUID PAD			
<input type="checkbox"/>	SFP	Spinal Fluid Pad	\$185.00
VISCO FOAM INSERT			
<input type="checkbox"/>	VF	Visco Foam Insert	\$55.00
<input type="checkbox"/>	VFWSR	Visco Foam Insert with Spinal Relief	\$55.00

Don't see the option you want? **NO PROBLEM!** Write your request below and we can evaluate it and provide a quote.

Notes:
