



Zippie TS

November 2016

Date: _____ Dealer Acct #: _____ Dealer: _____ Dealer Contact: _____ Dealer Address: _____ Dealer City: _____ PR: _____ PC: _____ Dealer Phone: () _____ Fax: () _____ Confirm Via: <input type="checkbox"/> Fax <input type="checkbox"/> Email	SUBMITTING FOR: <input type="checkbox"/> Quote <input type="checkbox"/> Order PO#: _____ Ship To: _____ Attention: _____ Address: _____ Address: _____ Ship To City: _____ PR: _____ PC: _____ Ship To Phone: () _____ Fax: () _____
--	--

Mark For: _____

✓	Option #	Definition	Price	✓	Option #	Definition	Price
ZIPPIE TS							

1. FRAME

All Zippie TS models grow in width and depth.

Base Models			
<input type="checkbox"/>	187WM63	Folding Growing Zippie TS Transit Included (includes True Fit)	\$3,745.00
<input type="checkbox"/>	187WM65	Folding Growing Zippie TS Transit Optional (includes True Fit)	\$3,745.00
<input type="checkbox"/>	187WM64	Rigid Growing Zippie TS Transit Included (includes True Fit)	\$3,640.00
<input type="checkbox"/>	187WM66	Rigid Growing Zippie TS Transit Optional (includes True Fit)	\$3,640.00
<input type="checkbox"/>	187F02	Additional Rigid Strut Tube	NC

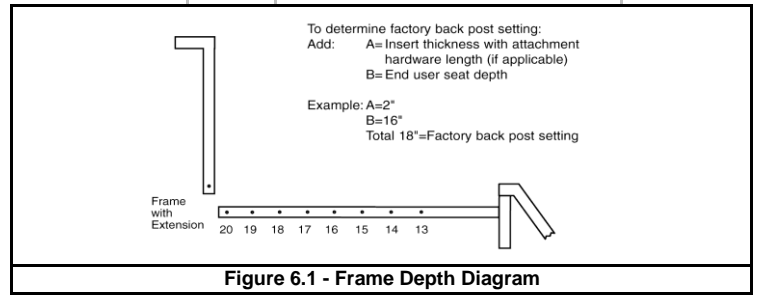
Transit System (For use when Transit Optional is selected)			
Tie Down Requires: Solid Seat and Solid Back or Growing Seat Pan and Jay Fit or Conventional Seat and Back or Growing Seat Pan and Solid Back or Jay Fit and/or Conventional Seat & Back			
<input type="checkbox"/>	187TO12	Transit Optional Seating (Req. Selection of Seat & Back)	NC
<input type="checkbox"/>	187TO11	Transit Optional w/o Seating	NC
<input type="checkbox"/>	187TO20	Transit Omit	NC

Tilt Options			
<input type="checkbox"/>	187TT12	Dual Trigger Cable Release	NC
<input type="checkbox"/>	187VZ01	Criss Cross Cables (cables are longer individually)	NC
<input type="checkbox"/>	187VZ02	Non Criss Cross	Std
<input type="checkbox"/>	187TT8	Cable Foot Release (may limit folding width)	NC

2. SIZE/SEATING

Frame Width			
<input type="checkbox"/>	187W25	Small Cross Brace	NC
<input type="checkbox"/>	187S1	10"	NC
<input type="checkbox"/>	187S2	11"	NC
<input type="checkbox"/>	187S3	12"	NC
<input type="checkbox"/>	187W26	Medium Cross Brace	NC
<input type="checkbox"/>	187S3	12"	NC
<input type="checkbox"/>	187S4	13"	NC
<input type="checkbox"/>	187S5	14"	NC
<input type="checkbox"/>	187W27	Large Cross Brace	NC
<input type="checkbox"/>	187S5	14"	NC
<input type="checkbox"/>	187S6	15"	NC
<input type="checkbox"/>	187S7	16"	NC
<input type="checkbox"/>	187W28	X-Large Cross Brace	NC
<input type="checkbox"/>	187S7	16"	NC
<input type="checkbox"/>	187S8	17"	NC
<input type="checkbox"/>	187S9	18"	NC

Frame Depth and Back Post Location			
<input type="checkbox"/>	187FD4	13" Frame Depth	NC
<input type="checkbox"/>	187FD5	14" Frame Depth	NC
<input type="checkbox"/>	187FD6	15" Frame Depth	NC
<input type="checkbox"/>	187FD7	16" Frame Depth	NC
<input type="checkbox"/>	187FD8	17" Frame Depth	NC
<input type="checkbox"/>	187FD9	18" Frame Depth	NC
<input type="checkbox"/>	187FD10	19" Frame Depth (uses rear frame extension plug)	NC
<input type="checkbox"/>	187FD36	20" Frame Depth (uses rear frame extension plug)	NC



Mark For: _____

Option #	Definition	Price	Option #	Definition	Price
----------	------------	-------	----------	------------	-------

2. SIZE/SEATING CONT.

Seats			
<input type="checkbox"/>	187ST55	Solid Seat (Req. Solid Back) Not avail. w/10"13" W x 19" and 20" Frame Depth or 17"-18" W x 13"-17" Frame Depth.	\$278.00
<input type="checkbox"/>	187ST14	Growing Seat Pan Depth (Fig. 7.1)	\$242.00
<input type="checkbox"/>	187ST5	Omit Seat	Std

JAY Cushions (Optional)

To order any JAY cushions on-chair, please see the JAY price list. Cushion name or part number must be filled out with desired width and depth.

JAY Bundled Cushion			Price List
187JC20	Name / Part #		
	Width:	Depth:	

REFERENCE ONLY

Seat Depth Pan Size	Depth Range	
	Minimum	Maximum
Medium 13"-14"	11 3/4"	16 1/4"
Long 15"-17"	13 3/4"	18 1/4"
X-Long 18"-20"	15 3/4"	20 1/4"

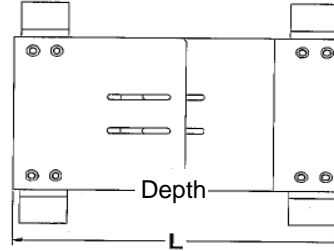


Figure 7.1 - Frame Depth Growth Range Matrix

3. CASTERS

Caster Wheel

Some interference may occur when choosing 8" Caster W Z-finity

<input type="checkbox"/>	187CW30	3" Micro Light Up	\$63.00
<input type="checkbox"/>	187CW31	4" Micro Light Up	\$95.00
<input type="checkbox"/>	187CW51	5" Micro Light Up	\$95.00
<input type="checkbox"/>	187CW5	5" Low-Profile Polyurethane	STD
<input type="checkbox"/>	187CW7	5" x 1.5" Semi-Pneumatic	\$95.00
<input type="checkbox"/>	187CW33	6" Pneumatic	\$95.00
<input type="checkbox"/>	187CW34	6" Polyurethane	NC
<input type="checkbox"/>	187CW35	6" x 1.5" Semi-Pneumatic	\$95.00
<input type="checkbox"/>	187CW21	8" Pneumatic	\$126.00
<input type="checkbox"/>	187CW32	8" Polyurethane	NC
<input type="checkbox"/>	187CW39	8" x 1.5" Semi-Pneumatic	\$126.00
<input type="checkbox"/>	187CW36	8" x 2" Pneumatic	\$215.00
<input type="checkbox"/>	187CW37	8" x 2" Pneumatic w/Airless Insert	\$342.00

Caster Options

<input type="checkbox"/>	187CS3	Caster Pin Locks (Not available with 8" x 2" and 8" x 1.5" casters)	\$132.00
--------------------------	--------	---	----------

Rear Wheel Size	CASTER SIZE							
	3	4	5	6	8x1	8x1.5	8x2	
12	<input type="checkbox"/> 17.0	<input type="checkbox"/> 16.5	<input type="checkbox"/> 16.5	<input type="checkbox"/> 17.0				
	<input type="checkbox"/> 17.5	<input type="checkbox"/> 17.0	<input type="checkbox"/> 17.0	<input type="checkbox"/> 17.5				
12 Low Poly	<input type="checkbox"/> 17.5	<input type="checkbox"/> 17.5	<input type="checkbox"/> 17.5		<input type="checkbox"/> 18.5	<input type="checkbox"/> 18.0	<input type="checkbox"/> 18.5	
	<input type="checkbox"/> 16.0	<input type="checkbox"/> 16.0	<input type="checkbox"/> 16.0	<input type="checkbox"/> 16.5	N/A	N/A	N/A	
16	<input type="checkbox"/> 16.5	<input type="checkbox"/> 16.5	<input type="checkbox"/> 16.5					
	<input type="checkbox"/> 15.5	<input type="checkbox"/> 15.5	<input type="checkbox"/> 15.5					
18	<input type="checkbox"/> 18.0	<input type="checkbox"/> 18.0	<input type="checkbox"/> 18.0	<input type="checkbox"/> 18.0	<input type="checkbox"/> 18.5	<input type="checkbox"/> 18.0	<input type="checkbox"/> 18.5	
	<input type="checkbox"/> 18.5	<input type="checkbox"/> 18.5	<input type="checkbox"/> 18.5	<input type="checkbox"/> 18.5	<input type="checkbox"/> 19.0	<input type="checkbox"/> 18.5		
20	<input type="checkbox"/> 15.5	<input type="checkbox"/> 15.5	<input type="checkbox"/> 15.5					
	<input type="checkbox"/> 16.0	<input type="checkbox"/> 16.0	<input type="checkbox"/> 16.0					
22	<input type="checkbox"/> 16.5	<input type="checkbox"/> 16.5	<input type="checkbox"/> 16.5	<input type="checkbox"/> 16.5				
	<input type="checkbox"/> 17.0	<input type="checkbox"/> 17.0	<input type="checkbox"/> 17.0	<input type="checkbox"/> 17.0				
24	<input type="checkbox"/> 17.5	<input type="checkbox"/> 17.5	<input type="checkbox"/> 17.5	<input type="checkbox"/> 17.5				
	<input type="checkbox"/> 18.0	<input type="checkbox"/> 18.0	<input type="checkbox"/> 18.0	<input type="checkbox"/> 18.0		<input type="checkbox"/> 18.0		
26	<input type="checkbox"/> 18.5	<input type="checkbox"/> 18.5	<input type="checkbox"/> 18.5	<input type="checkbox"/> 18.5	<input type="checkbox"/> 18.5	<input type="checkbox"/> 18.5	<input type="checkbox"/> 18.5	
	<input type="checkbox"/> 19.0	<input type="checkbox"/> 19.0	<input type="checkbox"/> 19.0	<input type="checkbox"/> 19.0	<input type="checkbox"/> 19.0	<input type="checkbox"/> 19.0	<input type="checkbox"/> 19.0	
28	<input type="checkbox"/> 19.5	<input type="checkbox"/> 19.5	<input type="checkbox"/> 19.5	<input type="checkbox"/> 19.5	<input type="checkbox"/> 19.5	<input type="checkbox"/> 19.5	<input type="checkbox"/> 20.0	
	<input type="checkbox"/> 20.0	<input type="checkbox"/> 20.0	<input type="checkbox"/> 20.0	<input type="checkbox"/> 20.0	<input type="checkbox"/> 20.0	<input type="checkbox"/> 20.0		

Chart A - Seat to Floor Height Matrix

Note: Rear seat-to-floor ht. may be up to 1.5" lower than front seat-to-floor ht.

Mark For: _____

✓	Option #	Definition	Price	✓	Option #	Definition	Price
---	----------	------------	-------	---	----------	------------	-------

4. REAR WHEELS / SEAT HEIGHT

Rear Wheel Size			
<input type="checkbox"/>	187RW13	12" Mag (Not available with handrims)	STD
<input type="checkbox"/>	187RW14	16" Mag (Not available with handrims)	NC
<input type="checkbox"/>	187RW3	20" Mag	NC
<input type="checkbox"/>	187RW8	22" Mag	NC
<input type="checkbox"/>	187RW1	24" Mag	NC
<input type="checkbox"/>	187RW12	18" Spoke	\$142.00
<input type="checkbox"/>	187RW90	20" Lite Spoke	\$278.00
<input type="checkbox"/>	187RW91	22" Lite Spoke	\$278.00
<input type="checkbox"/>	187RW54	24" Lite Spoke	\$278.00

Rear Wheel Tire			
<input type="checkbox"/>	187RT1	Pneumatic	NC
<input type="checkbox"/>	187RT2	Pneumatic Airless Insert	\$215.00
<input type="checkbox"/>	187RT3	Full Polyurethane (Not avail.w/ 12", 16" and 18" rear wheels)	NC
<input type="checkbox"/>	187RT4	Low Polyurethane (Only available with 12" or 24" wheels)	NC
<input type="checkbox"/>	187RT6	High Pressure Clincher (Only available with 24" spoke wheels)	\$90.00

Handrim			
<input type="checkbox"/>	187HR1	Aluminum Anodized	NC
<input type="checkbox"/>	187HR4	Plastic Coated	\$126.00
<input type="checkbox"/>	187HR7	Omit (Not available with wheel/axle credit)	-\$12.00

Projections (Not Available on Plastic Coated)			
<i>*Only available with 24" wheels & not available with spoke guards.</i>			
<input type="checkbox"/>	187HR8	8 Oblique	\$126.00

Axle			
<input type="checkbox"/>	187AX26	One Arm Drive Axle (Only avail. w/One Arm Drive Option)	STD
<input type="checkbox"/>	187AX1	Quick Release	NC
<input type="checkbox"/>	187AX11	Quad Quick Release (not available with Lite Spokes)	\$158.00

Axle Plate			
<input type="checkbox"/>	187AL18	12" Rear Wheel Axle Plate (Only avail. w/12" or 16" rear wheels)	STD
<input type="checkbox"/>	187AL34	Short Adjustable (Not available with 12" rear wheels)	NC
<input type="checkbox"/>	187AL35	Long Adjustable (Not available with 12" rear wheels)	NC
<input type="checkbox"/>	187AL17	One Arm Drive (Avail. w/ 20", 22", 24" Mag Rear Wheels & 13"-18" width)	\$1,203.00
<input type="checkbox"/>	187OA2	Standard Handrim	NC
<input type="checkbox"/>	187HM1	<i>Right</i>	NC
<input type="checkbox"/>	187HM2	<i>Left</i>	NC
<input type="checkbox"/>	187OA1	Small Handrim (not avail w/ 20" wheels)	NC
<input type="checkbox"/>	187HM1	<i>Right</i>	NC
<input type="checkbox"/>	187HM2	<i>Left</i>	NC

5. WHEEL LOCK / HUB LOCK

Wheel Lock			
<i>Not available with Hub Lock</i>			
<input type="checkbox"/>	187WL1	High Mount Push	NC
<input type="checkbox"/>	187WL2	High Mount Pull	NC
<input type="checkbox"/>	187WL25	Foot Lock (may limit folding width)	NC
<input type="checkbox"/>	187WL10	Omit	NC

Hub Lock			
<i>*Only available with 12" or 16" wheels. Not avail. w/ one arm drive.</i>			
<input type="checkbox"/>	187LK01	12" Hub Lock	\$142.00
<input type="checkbox"/>	187LK02	16" Hub Lock	\$142.00

Extension Handle			
<input type="checkbox"/>	187EH1	6" Pair	\$63.00

Mark For: _____

✓	Option #	Definition	Price	✓	Option #	Definition	Price
---	----------	------------	-------	---	----------	------------	-------

6. FOOTRESTS

Hanger Mounted Footrest (Footplates Mount to Hanger Tubing)

Hanger Type			
<input type="checkbox"/>	187H140	70° Swing In/Out Front Mount	NC
<input type="checkbox"/>	187H142	80° Swing In/Out Front Mount	NC
<input type="checkbox"/>	187H158	90° Swing In/Out Front Mount	NC
<input type="checkbox"/>	187H9	70° Hvy Dty Fnt Mount Lift-Off	\$184.00
<input type="checkbox"/>	187H10	80° Hvy Dty Fnt Mount Lift-Off	NC
<input type="checkbox"/>	187H11	90° Hvy Dty Fnt Mount Lift-Off	NC
<input type="checkbox"/>	187H161	90° Elevating (not avail w/ 10-11" Wide or Z-finity)	\$295.00

Extensions (may interfere with some seat heights & casters)			
<input type="checkbox"/>	187E23	2" (not mounted)	\$47.00
<input type="checkbox"/>	187E24	4" (not mounted)	\$47.00

Footplate			
<input type="checkbox"/>	187F9	Kids Angle Adjustable (not avail. w/17"-18" widths)	NC
<input type="checkbox"/>	187F8	Adult Angle Adj. (Available with 10"-18" widths)	\$152.00
<input type="checkbox"/>	187F62	Footboard (Available with 10"-16" widths)	\$200.00

Ext. Tube Mounted Footrests (Footplates Mount to Ext. Tube)

Hanger Type			
<input type="checkbox"/>	187H145	60° Swing In/Out	NC
<input type="checkbox"/>	187H139	70° Swing In/Out	STD
<input type="checkbox"/>	187H141	80° Swing In/Out	STD
<input type="checkbox"/>	187H159	Articulating (not avail w/ 10"-13" composite footplates.)	\$457.00
<input type="checkbox"/>	187H160	Elevating (Not avail. w/ composite or platform footplates, or <16" width)	\$295.00

Extensions			
<input type="checkbox"/>	187E1	Short (11.5" - 14")	NC
<input type="checkbox"/>	187E2	Med (14" - 17") Not avail. w/ ELR	NC
<input type="checkbox"/>	187E5	Long (17" - 19")	NC
<input type="checkbox"/>	187E16	High Mount	\$84.00

Footplate			
<input type="checkbox"/>	187F1	Composite (not avail. In 10", 11" or 12" width)	STD
<input type="checkbox"/>	187F3	Aluminum Angle Adjustable	\$152.00
<input type="checkbox"/>	187F4	Kids Angle Adjustable (not avail. w/17"-18" width)	NC
<input type="checkbox"/>	187F5	Aluminum (Only available with elevating legrests 14"-18")	NC
<input type="checkbox"/>	187F48	Platform Flip-Up (Avail on 60° 70° and 80° ext. mount hangers only)	\$200.00

NEW! Z-finity Hangers/Footrest System

Some interference may exist in certain configurations.

<input type="checkbox"/>	187H162	Z-finity Hanger	STD
Z-finity Footrest Mount (Must Chose see Illustration in appendix)			
<input type="checkbox"/>	187DI22	Direct Hanger Mt/Fixed Frame - High	NC
<input type="checkbox"/>	187DI23	Direct Hanger Mt/Fixed Frame - Low	NC
<input type="checkbox"/>	187DI24	Extension Tube Mount	NC

Z-finity Footrest Pivot Arm
(Must Choose, use matrix in appendix for leg length)

<input type="checkbox"/>	187DI20	Short 2"	NC
<input type="checkbox"/>	187DI21	Long 3 1/4"	NC

Z-finity Footplate

Some interference may exist in certain configurations.

<input type="checkbox"/>	187F320	Multi Angle Adjustable (Pair) (not avail. w/8"-9" widths)	\$215.00
<input type="checkbox"/>	187F321	Angle Adjustable Platform Footboard	\$201.00
<input type="checkbox"/>	187F6	Omit Footplate	NC

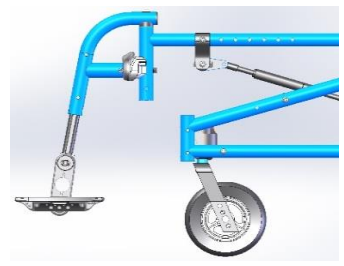
Z-finity ExtensionTube Length (When Choosing Ext. Tube Mount)

<input type="checkbox"/>	187E62	Hemi	NC
<input type="checkbox"/>	187E1	Short	NC
<input type="checkbox"/>	187E2	Medium	NC
<input type="checkbox"/>	187E5	Long	NC

Direct Hanger Mount



Extension Tube Mount



Direct Hanger Mounted			
Footrest Adaptor	Hanger Mounting	Min	Max
Short	High Mount	-1.25	3.00
	Low Mount	2.00	6.25
Long	High Mount	-2.50	4.25
	Low Mount	0.75	7.50

Extension Tube Mounted			
Footrest Adaptor	Ext Tube Length	Min	Max
Short	Hemi	4.25	12.00
	Short	5.25	13.00
	Medium	7.00	15.00
Long	Long	9.00	17.00
	Hemi	3.00	13.25
	Short	4.50	14.25
	Medium	6.00	16.25
	Long	8.00	18.25

Footrest Hanger Options

<input type="checkbox"/>	187IG2	Neoprene Covers (Avail. On 60°/ 70°/80° ext. mount hangers only and Z-finity except in highest mounted position).	\$53.00
<input type="checkbox"/>	187HL1	Heel Loops (NA w/ Z-finity widths below 14")	NC
<input type="checkbox"/>	187A110	Toe Loop (Only avail. w/ adult angle adjust. Footplates NA w/ Z-finity)	\$37.00
<input type="checkbox"/>	187HL5	Leg Strap	NC
<input type="checkbox"/>	187A55	Extra Leg Strap	\$53.00
<input type="checkbox"/>	187H32	Omit Hanger	-\$16.00
<input type="checkbox"/>	187F7	Omit Footplate & Ext. Tube	-\$16.00
<input type="checkbox"/>	187HL4	Omit Heel Loop	NC
<input type="checkbox"/>	187HL6	Omit Single Leg Strap	NC

Mark For: _____

✓	Option #	Definition	Price	✓	Option #	Definition	Price
---	----------	------------	-------	---	----------	------------	-------

7. BACKREST / SEATING

Backs

(Solid Back Depth = 2" Less Than Frame Depth)

<input type="checkbox"/>	187PU4	Short Solid Back 12" (Requires solid seat)	\$357.00
<input type="checkbox"/>	187PU5	Med. Solid Back 14"	\$357.00
<input type="checkbox"/>	187PU6	Tall Solid Back 16"	\$357.00
<input type="checkbox"/>	187BT13	Omit Backrest	NC

Jay Backs (Optional)

Ordering JAYbacks on-chair, See the JAY Price List. Requires Part #

<input type="checkbox"/>	187JB02	JAY Bundled Backrest	Price List
		Backrest Name or Part #	
		Width:	Height:

Stoller Handle Back Posts - Backrests

Fixed Height

<input type="checkbox"/>	187BP9	Low (19" Ht)	NC
<input type="checkbox"/>	187BP10	Medium (22" Ht)	NC
<input type="checkbox"/>	187BP11	Tall (25" Ht)	NC
<input type="checkbox"/>	187BP13	Removable Extension	\$152.00
<input type="checkbox"/>	187RG1	Folding Adjustable Rigidizer	\$180.00

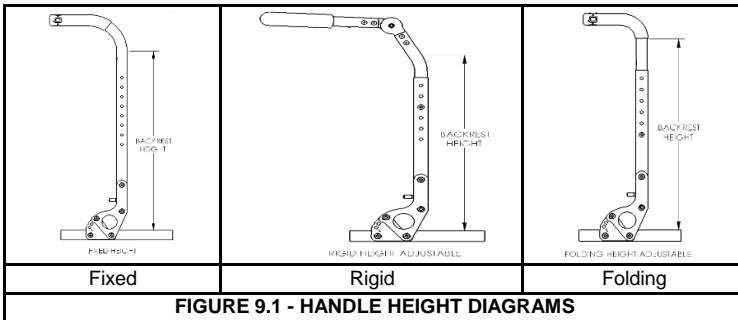
Height Adjustable

Rigid Frame w/ Angle Adjust Push Handle

<input type="checkbox"/>	187B202	Std. (16"-22" Height.)	NC
<input type="checkbox"/>	187PH8	Std. Angle Adj. Push Handle Lgth	NC
<input type="checkbox"/>	187PH9	Long Angle Adj. Push Handle Length	NC
<input type="checkbox"/>	187B203	Tall (19"-25" Height.)	NC
<input type="checkbox"/>	187PH8	Std. Angle Adj. Push Handle Lgth	NC
<input type="checkbox"/>	187PH9	Long Angle Adj. Push Handle Length	NC

Folding Frame with Push Handle

<input type="checkbox"/>	187B204	Std. (17"-23" Height.)	NC
<input type="checkbox"/>	187BP47	Swing Away Handle (not available with dual triggers)	\$75.00
<input type="checkbox"/>	187B205	Tall (20"-26" Height.)	NC
<input type="checkbox"/>	187BP47	Swing Away Handle (not available with dual triggers)	\$75.00



Mark For: _____

✓	Option #	Definition	Price	✓	Option #	Definition	Price
---	----------	------------	-------	---	----------	------------	-------

8. ARMRESTS / SIDEGUARDS

Armrest and Armpad - Height Adjustable

<input type="checkbox"/>	187AA12	T-Post Regular w/Foam	NC
<input type="checkbox"/>	187AA13	T-Post Tall w/Foam	NC
<input type="checkbox"/>	187AA3	Flip-Up	NC
<input type="checkbox"/>	187AA1	Adjustable Locking Flip-Up	\$295.00
<input type="checkbox"/>	187AA7	Length Adjust. Locking Flip-Up	\$295.00
<input type="checkbox"/>	187AM23	<i>Desk Length (10")</i>	NC
<input type="checkbox"/>	187AM24	<i>Full Length (14")</i>	NC
<input type="checkbox"/>	187AM9	<i>Foam Short (not avail. w/T Post)</i>	NC
<input type="checkbox"/>	187AM10	<i>Foam Long (not avail. w/T Post)</i>	NC

Armrest Receiver for Height Adjustable Armrest

<input type="checkbox"/>	187AR17	Low (not avail. w/Lite Spokes)	NC
<input type="checkbox"/>	187AR18	Std	NC

Side Guard

(Not available with height adjustable armrests or T-Post armrests)

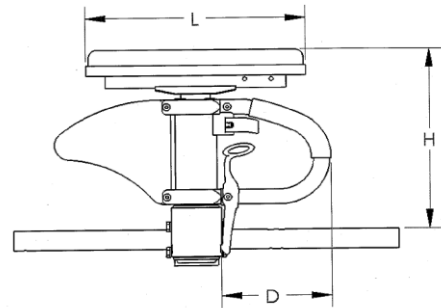
<input type="checkbox"/>	187SG33	Plastic Std	\$163.00
<input type="checkbox"/>	187SG29	Plastic Low	\$163.00

Armrest - Height Adjustable

<input type="checkbox"/>	187AA11	Single-Post Height Adj. Std.	\$295.00
<input type="checkbox"/>	187AM23	<i>Desk Classic</i>	NC
<input type="checkbox"/>	187AM21	<i>Desk Contour</i>	NC
<input type="checkbox"/>	187AM24	<i>Full Classic</i>	NC
<input type="checkbox"/>	187AM22	<i>Full Contour</i>	NC
<input type="checkbox"/>	187AA29	Single-Post Height Adj. Low	\$295.00
<input type="checkbox"/>	187AM23	<i>Desk Classic</i>	NC
<input type="checkbox"/>	187AM21	<i>Desk Contour</i>	NC
<input type="checkbox"/>	187AM24	<i>Full Classic</i>	NC
<input type="checkbox"/>	187AM22	<i>Full Contour</i>	NC

Armrest Size	Transfer Tube Length D	Receiver	CLASSIC PAD		
			H Range	Pad Length L	
				Desk	Full
STD	8"	STD	10 3/4" to 15 3/4"	10 1/4"	14"
		LOW	8 3/4" to 13 3/4"		
LOW	5 1/4"	STD	9" to 13"	10 1/4"	14"
		LOW	7 1/4" to 11 1/4"		

Armrest Size	Transfer Tube Length D	Receiver	CONTOUR PAD		
			H Range	Pad Length L	
				Desk	Full
STD	8"	STD	10" to 15"	10 1/2"	14 1/4"
		LOW	8 1/4" to 12 1/2"		
LOW	5 1/4"	STD	8 1/2" to 12 1/2"	10 1/2"	14 1/4"
		LOW	6 3/4" to 10 3/4"		



Armrest Matrix for Single Post

Mark For: _____

✓	Option #	Definition	Price	✓	Option #	Definition	Price
---	----------	------------	-------	---	----------	------------	-------

9. KEY OPTIONS

Back Pack (Kids Backpack included)

<input type="checkbox"/>	187A1	Utility Backpack - Black	\$97.00
<input type="checkbox"/>	187A2	Additional Kids Black Backpack	\$90.00

Seat Pouch

<input type="checkbox"/>	187A8	Black	\$73.00
--------------------------	-------	-------	---------

Miscellaneous

<input type="checkbox"/>	187A83	Tool Kit	\$37.00
--------------------------	--------	----------	---------

Spoke Guard

(Not available with 12", 16" and 18" rear wheels & Projections Handrims)

<input type="checkbox"/>	187A23	Black	\$137.00
<input type="checkbox"/>	187A303	Clear Zippie	\$137.00

Anti Tips

<input type="checkbox"/>	187AO1	Front Anti-Tip (Not available with caster pin locks) (Not available with transit option)	\$137.00
<input type="checkbox"/>	187AT1	Rear Anti-Tip	\$105.00

Positioning Belt (w/clamps)

<input type="checkbox"/>	187A112	1" Dual Pull Side Squeeze Padded	\$115.00
<input type="checkbox"/>	187A117	Belt 2" Aircraft Buckle	\$121.00
<input type="checkbox"/>	187A118	Belt 2" Aircraft Buckle Padded	\$178.00
<input type="checkbox"/>	187A141	Belt 1.5" Auto Buckle w/Clamps	\$84.00
<input type="checkbox"/>	187A814	1" Comfort Fit APB5116	\$126.00

Canopy (SunShade)

(Need 2" back post clearance to mount canopy hardware, may require next height based on seating; please note some interference may occur with some headrest configurations)

<input type="checkbox"/>	1878A06	Canopy (Sunshade) 10"-14" Width	\$373.00
<input type="checkbox"/>	1878A07	Canopy (Sunshade) 15"-20" Width	\$373.00

Upper Extremity Support Tray

When ordering a tray with full armrest or desk armrest pads, add 1" to seat width to determine best tray size.

<input type="checkbox"/>	187A29	X-Sm (Suggested 10"-12" Width)	\$331.00
<input type="checkbox"/>	187A30	Sm (Suggested 13"-14" Width)	\$331.00
<input type="checkbox"/>	187A31	Med (Suggested 15"-17" Width)	\$331.00
<input type="checkbox"/>	187A32	Lrg (Suggested 18"-20" Width)	\$331.00

10. FRAME COLOR

Standard Colors

<input type="checkbox"/>	187C140	Aztec Gold	NC
<input type="checkbox"/>	187C2	Black (Not avail as base w/Zebra)	NC
<input type="checkbox"/>	187C141	Black Cherry	NC
<input type="checkbox"/>	187C10	Black Opal	NC
<input type="checkbox"/>	187C38	Blue Opal	NC
<input type="checkbox"/>	187C36	Candy Blue	NC
<input type="checkbox"/>	187C14	Candy Purple	NC
<input type="checkbox"/>	187C35	Candy Red	NC
<input type="checkbox"/>	187C142	Electric Blue	NC
<input type="checkbox"/>	187C143	Evergreen	NC
<input type="checkbox"/>	187C126	Glow	NC
<input type="checkbox"/>	187C144	Green Apple	NC
<input type="checkbox"/>	187C147	Hot Sparkle Pink	NC
<input type="checkbox"/>	187C148	Mauve Pink	NC
<input type="checkbox"/>	187C103	Rootbeer	NC
<input type="checkbox"/>	187C114	Sparkle Silver	NC
<input type="checkbox"/>	187C145	Sunrise Orange	NC
<input type="checkbox"/>	187C113	Titanium Color Paint	NC
<input type="checkbox"/>	187C8	Yellow	NC

Standard Matte Colors

<input type="checkbox"/>	187C116	Matte Black	NC
<input type="checkbox"/>	187C151	Matte Black Cherry	NC
<input type="checkbox"/>	187C152	Matte Purple	NC
<input type="checkbox"/>	187C150	Matte Electric Blue	NC
<input type="checkbox"/>	187C149	Matte Evergreen	NC

Custom Colors

<input type="checkbox"/>	187C43	Mossy Oak Camouflage	\$320.00
<input type="checkbox"/>	187C42	Stars and Stripes	\$320.00
<input type="checkbox"/>	187C108	Zebra (Choose base color above: White Std, n/a black, black opal, matte black or titanium)	\$320.00

Mark For: _____

✓	Option #	Definition	Price	✓	Option #	Definition	Price
---	----------	------------	-------	---	----------	------------	-------

11. BUNDLING



Save time! Wheelchair and seating will be delivered together.
Hardware pre-installed.

Cushions

<input type="checkbox"/> Jay Cushion:			
Width:		Depth:	
Notes:			

Backs

<input type="checkbox"/> Jay Back:			
Width:		Height:	
Notes:			

Headrest

<input type="checkbox"/> System:		
Pads:		
Notes:		
Hardware:		
Notes:		

Jay Positioning Components

<input type="checkbox"/> Anterior Trunk Supports:		
Size:		
Hand and Arm Supports:		
Size:		
Pelvic Positioning:		
Size:		
Foot Positioning:		
Size:		
Notes:		

