



**Zippie 2**  
**July 2018**  
 EIZZ



Date: \_\_\_\_\_

Dealer Acct #: \_\_\_\_\_

Dealer: \_\_\_\_\_

Dealer Contact: \_\_\_\_\_

Dealer Address: \_\_\_\_\_

Dealer City: \_\_\_\_\_ PV: \_\_\_\_\_ PC: \_\_\_\_\_

Dealer Phone: ( ) \_\_\_\_\_ Fax: ( ) \_\_\_\_\_

Confirm Via:  Fax  Email

**SUBMITTING FOR:**  Quote  Order

PO#: \_\_\_\_\_

Ship To: \_\_\_\_\_

Attention: \_\_\_\_\_

Address: \_\_\_\_\_

Address: \_\_\_\_\_

Ship To City: \_\_\_\_\_ PV: \_\_\_\_\_ PC: \_\_\_\_\_

Ship To Phone: ( ) \_\_\_\_\_ Fax: ( ) \_\_\_\_\_

✓	Option #	Definition	Price	✓	Option #	Definition	Price
---	----------	------------	-------	---	----------	------------	-------

**ZIPPIE 2**

**1. FRAME STYLE**

<input type="checkbox"/>	022WM01	Zippie 2 - Transit Included	\$3,125.00	<input type="checkbox"/>	022WM02	Zippie 2 - Transit Optional	\$3,125.00
--------------------------	---------	-----------------------------	------------	--------------------------	---------	-----------------------------	------------

**2. TRANSIT SYSTEM (when Frame is ordered Transit Optional)**

<input type="checkbox"/>	022TO19	Transit Seating (Req. Selection of Seat & Back)	NC	<input type="checkbox"/>	022TO16	Transit w/ Conv. Seating	NC
<input type="checkbox"/>	022TO13	Transit w/o Seating	NC	<input type="checkbox"/>	022TO17	Transit with Fit Seating	NC
				<input type="checkbox"/>	022TO7	Transit Omit (only with Transit Included Frame)	NC

**3. FRAME COLOR**

**Standard Colors**

<input type="checkbox"/>	022C140	Aztec Gold	NC
<input type="checkbox"/>	022C2	Black (Not avail as base w/Zebra)	NC
<input type="checkbox"/>	022C141	Black Cherry	NC
<input type="checkbox"/>	022C10	Black Opal	NC
<input type="checkbox"/>	022C38	Blue Opal	NC
<input type="checkbox"/>	022C36	Candy Blue	NC
<input type="checkbox"/>	022C14	Candy Purple	NC
<input type="checkbox"/>	022C35	Candy Red	NC
<input type="checkbox"/>	022C142	Electric Blue	NC
<input type="checkbox"/>	022C143	Evergreen	NC
<input type="checkbox"/>	022C126	Glow	NC
<input type="checkbox"/>	022C144	Green Apple	NC
<input type="checkbox"/>	022C147	Hot Sparkle Pink	NC
<input type="checkbox"/>	022C148	Mauve Pink	NC

<input type="checkbox"/>	022C103	Rootbeer	NC
<input type="checkbox"/>	022C114	Sparkle Silver	NC
<input type="checkbox"/>	022C145	Sunrise Orange	NC
<input type="checkbox"/>	022C113	Titanium Color Paint	NC
<input type="checkbox"/>	022C8	Yellow	NC

**Standard Matte Colors**

<input type="checkbox"/>	022C116	Matte Black	NC
<input type="checkbox"/>	022C151	Matte Black Cherry	NC
<input type="checkbox"/>	022C152	Matte Purple	NC
<input type="checkbox"/>	022C150	Matte Electric Blue	NC
<input type="checkbox"/>	022C149	Matte Evergreen	NC

**Custom Colors**

<input type="checkbox"/>	022C43	Mossy Oak Camouflage	\$340.00
<input type="checkbox"/>	022C42	Stars and Stripes	\$340.00
<input type="checkbox"/>	022C108	Zebra (Choose base color above: White Std, N/A black)	\$340.00

**4. FRAME WIDTH**

<input type="checkbox"/>	022W3	12"	NC	<input type="checkbox"/>	022W6	15"	NC
<input type="checkbox"/>	022W4	13"	NC	<input type="checkbox"/>	022W7	16"	NC
<input type="checkbox"/>	022W5	14"	STD				

Mark For: \_\_\_\_\_

--	--

✓	Option #	Definition	Price	✓	Option #	Definition	Price
---	----------	------------	-------	---	----------	------------	-------

**5. FRAME DEPTH AND BACK POST LOCATION**

<input type="checkbox"/>	<b>022FL1</b>	<b>Kids (12" - 16")</b>	<b>NC</b>
<input type="checkbox"/>	022FD3	12"	NC
<input type="checkbox"/>	022FD4	13"	NC
<input type="checkbox"/>	022FD5	14"	STD
<input type="checkbox"/>	022FD6	15"	NC
<input type="checkbox"/>	022FD7	16"	NC

<input type="checkbox"/>	<b>022FL9</b>	<b>Regular (12" - 18")</b>	<b>NC</b>
<input type="checkbox"/>	022FD3	12"	NC
<input type="checkbox"/>	022FD4	13"	NC
<input type="checkbox"/>	022FD5	14"	STD
<input type="checkbox"/>	022FD6	15"	NC
<input type="checkbox"/>	022FD7	16"	NC
<input type="checkbox"/>	022FD8	17"	NC
<input type="checkbox"/>	022FD9	18"	NC

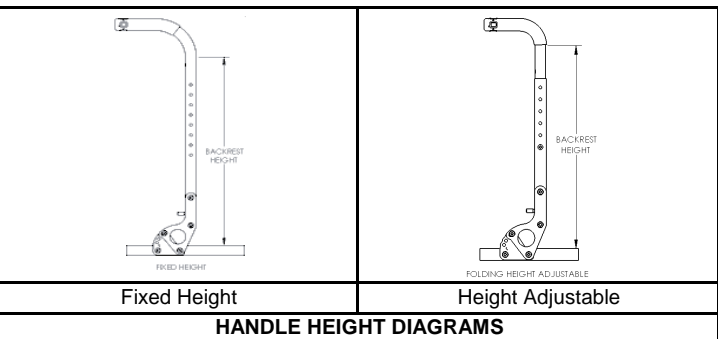
**6. SEATING**

Seats			
<input type="checkbox"/>	022ST16	Solid Seat/Back	\$295.00
<input type="checkbox"/>	022B3	Short (12")	N/C
<input type="checkbox"/>	022B7	Medium (14")	N/C
<input type="checkbox"/>	022B11	Tall (16")	N/C
<input type="checkbox"/>	022ST27	Omit Solid Seat/Back	NC

JAY Cushions (Optional)			
<i>To order any JAY cushions on-chair, please see the JAY price list. Cushion name or part number must be filled out with desired width and depth</i>			
<input type="checkbox"/>	022JC20	JAY Bundled Cushion	Price List
		Cushion Name or Part #	
		Width:                      Depth:	

**7. STROLLER HANDLE BACK POSTS FOR ADAPTIVE SEATING - BACK RESTS**

Fixed Height			
<input type="checkbox"/>	022BP9	Low (19" Ht)	NC
<input type="checkbox"/>	022BP10	Medium (22" Ht)	NC
<input type="checkbox"/>	022BP11	Tall (25" Ht)	NC
<input type="checkbox"/>	022BP13	Removable Extension	\$162.00
<input type="checkbox"/>	022RG1	Folding Adjustable Rigidizer	\$191.00



Height Adjustable			
Folding Frame with Push Handle			
<input type="checkbox"/>	022B180	<b>Std. (17"-23" Height.)</b>	<b>NC</b>
<input type="checkbox"/>	022BP47	Swing Away Handle	\$79.00
<input type="checkbox"/>	022B181	<b>Tall (20"-26" Height.)</b>	<b>NC</b>
<input type="checkbox"/>	022BP47	Swing Away Handle	\$79.00

**Jay Backs (Optional)**

*Ordering JAY backs on-chair, See the JAY Price List. Requires Part #*

<input type="checkbox"/>	022JB02	JAY Bundled Backrest	Price List
		Backrest Name or Part #	
		Width:                      Height:	

**8. ARMRESTS**

Armrest and Armpad - Height Adjustable			
<input type="checkbox"/>	022AA12	T-Post Regular w/Foam	NC
<input type="checkbox"/>	022AA13	T-Post Tall w/Foam	NC
<input type="checkbox"/>	022AA3	Flip-Up	NC
<input type="checkbox"/>	022AA1	Adjustable Locking Flip-Up	\$313.00
<input type="checkbox"/>	022AA7	Length Adjust. Locking Flip-Up	\$313.00
<input type="checkbox"/>	022AM23	Desk Length (10")	NC
<input type="checkbox"/>	022AM24	Full Length (14")	NC
<input type="checkbox"/>	022AM9	Foam Short (not avail. w/T Post)	NC
<input type="checkbox"/>	022AM10	Foam Long (not avail. w/T Post)	NC

Armrest - Height Adjustable			
<input type="checkbox"/>	022AA11	<b>Single-Post Height Adj. Std.</b>	<b>\$313.00</b>
<input type="checkbox"/>	022AM23	Desk Classic	NC
<input type="checkbox"/>	022AM21	Desk Contour (n/a w/12-13" Depth)	NC
<input type="checkbox"/>	022AM24	Full Classic	NC
<input type="checkbox"/>	022AM22	Full Contour (n/a w/12-13" Depth)	NC
<input type="checkbox"/>	022AA29	<b>Single-Post Height Adj. Low</b>	<b>\$313.00</b>
<input type="checkbox"/>	022AM23	Desk Classic	NC
<input type="checkbox"/>	022AM21	Desk Contour (n/a w/12-13" Depth)	NC
<input type="checkbox"/>	022AM24	Full Classic	NC
<input type="checkbox"/>	022AM22	Full Contour (n/a w/12-13" Depth)	NC

Armrest Receiver for Height Adjustable Armrest			
<input type="checkbox"/>	022AR17	<b>Low (n/a w/20" rear wheels)</b>	<b>NC</b>
<input type="checkbox"/>	022AR18	Std	NC

Mark For: \_\_\_\_\_

✓	Option #	Definition	Price	✓	Option #	Definition	Price
---	----------	------------	-------	---	----------	------------	-------

**8. ARMRESTS (Cont.)**

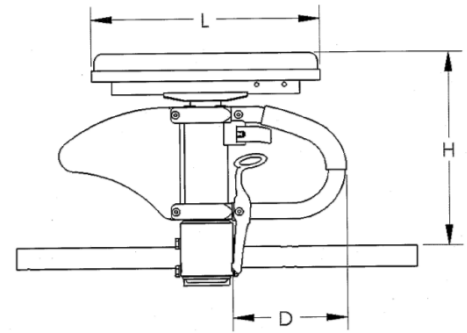
Armrest Size	Transfer Tube Length D	Receiver	CLASSIC PAD		
			H Range	Pad Length L	
				Desk	Full
STD	8"	STD	10 3/4" to 15 3/4"	10 1/4"	14"
		LOW	8 3/4" to 13 3/4"		
LOW	5 1/4"	STD	9" to 13"	10 1/4"	14"
		LOW	7 1/4" to 11 1/4"		

Armrest Size	Transfer Tube Length D	Receiver	CONTOUR PAD		
			H Range	Pad Length L	
				Desk	Full
STD	8"	STD	10" to 15"	10 1/2"	14 1/4"
		LOW	8 1/4" to 12 1/2"		
LOW	5 1/4"	STD	8 1/2" to 12 1/2"	10 1/2"	14 1/4"
		LOW	6 3/4" to 10 3/4"		

Armrest Matrix for Single Post



**9. FOOTRESTS**

**Hanger Mounted Footrest (Footplates Mount to Hanger Tubing)**

**Hanger Type**

<input type="checkbox"/>	022H89	70° Swing In/Out Front Mount	NC
<input type="checkbox"/>	022H90	80° Swing In/Out Front Mount	NC
<input type="checkbox"/>	022H91	90° Swing In/Out Front Mount	NC
<input type="checkbox"/>	022H9	70° Hvy Dty Fnt Mount Lift-Off	NC
<input type="checkbox"/>	022H10	80° Hvy Dty Fnt Mount Lift-Off	NC
<input type="checkbox"/>	022H11	90° Hvy Dty Fnt Mount Lift-Off	NC
<input type="checkbox"/>	022H14	90° Elevating	\$313.00

**Extensions (may interfere with some seat heights & casters)**

<input type="checkbox"/>	022E23	2" (not mounted)	\$49.00
<input type="checkbox"/>	022E24	4" (not mounted)	\$49.00

**Footplate**

<input type="checkbox"/>	022F9	Kids Angle Adjustable (not avail. w/17"-18" widths)	NC
<input type="checkbox"/>	022F8	Adult Angle Adj. (Available with 10"-18" widths)	\$162.00
<input type="checkbox"/>	022F62	Footboard (Available with 10"-16" widths)	\$212.00

**Footplate**

<input type="checkbox"/>	022F1	Composite (not avail. In 10", 11" or 12" width)	STD
<input type="checkbox"/>	022F3	Aluminum Angle Adjustable	\$162.00
<input type="checkbox"/>	022F4	Kids Angle Adjustable (not avail. w/17"-18" width)	NC
<input type="checkbox"/>	022F5	Aluminum (Only available with elevating legrests 14"-18")	NC
<input type="checkbox"/>	022F48	Platform Flip-Up (Avail on 60° 70° and 80° ext. mount hangers only)	\$212.00

**Footrest Hanger Options**

<input type="checkbox"/>	022IG2	Neoprene Covers (Avail. on 60°/70°/80° ext. mount hangers only)	\$57.00
<input type="checkbox"/>	022A54	Extra Single Leg Strap	\$57.00
<input type="checkbox"/>	022A110	Toe Loop (Only avail. w/ adult angle adjust. footplates)	\$39.00
<input type="checkbox"/>	022HL1	Heel Loops	NC
<input type="checkbox"/>	022H32	Omit Hanger	(\$16.00)
<input type="checkbox"/>	022F7	Omit Footplate & Ext. Tube	(\$16.00)
<input type="checkbox"/>	022HL4	Omit Heel Loop	NC
<input type="checkbox"/>	022HL6	Omit Single Leg Strap	NC

**Ext. Tube Mounted Footrests (Footplates Mount to Ext. Tube)**

**Hanger Type**

<input type="checkbox"/>	022H85	60° Swing In/Out	NC
<input type="checkbox"/>	022H86	70° Swing In/Out	STD
<input type="checkbox"/>	022H116	80° Swing In/Out (n/a with 6" or 8" Casters)	STD
<input type="checkbox"/>	022H24	Articulating (not avail. w/ 12"-13" composite footplate)	\$485.00
<input type="checkbox"/>	022H14	Elevating (Not avail. w/ composite or platform footplates or < 16" width)	\$313.00

**Extensions**

<input type="checkbox"/>	022E1	Short (11.5" - 14")	NC
<input type="checkbox"/>	022E2	Med (14" - 17") Not avail. w/ ELR	NC
<input type="checkbox"/>	022E5	Long (17" - 19")	NC
<input type="checkbox"/>	022E16	High Mount	\$90.00

Mark For: \_\_\_\_\_

--	--

✓	Option #	Definition	Price	✓	Option #	Definition	Price
---	----------	------------	-------	---	----------	------------	-------

**10. CASTERS**

Caster Wheel			
<input type="checkbox"/>	022CW30	3" Micro Light Up	\$67.00
<input type="checkbox"/>	022CW31	4" Micro Light Up	\$101.00
<input type="checkbox"/>	022CW3	4" Polyurethane	NC
<input type="checkbox"/>	022CW51	5" Micro Light Up	\$101.00
<input type="checkbox"/>	022CW5	5" Low-Profile Polyurethane	STD
<input type="checkbox"/>	022CW7	5" x 1.5" Semi-Pneumatic	\$101.00
<input type="checkbox"/>	022CW33	6" Pneumatic	\$101.00
<input type="checkbox"/>	022CW34	6" Polyurethane	NC
<input type="checkbox"/>	022CW35	6" x 1.5" Semi-Pneumatic	\$101.00
<input type="checkbox"/>	022CW21	8" Pneumatic (not avail. w/ 90° Hangers or kids frame length)	\$134.00
<input type="checkbox"/>	022CW32	8" Polyurethane (not avail. w/ 90° Hangers or kids frame length)	NC
<input type="checkbox"/>	022CW39	8" x 1.5" Semi-Pneumatic (not avail. w/ 90° Hangers or kids frame length)	\$134.00
<input type="checkbox"/>	022CW36	8" x 2" Pneumatic (not avail. w/ 90° Hangers or kids frame length)	\$228.00
<input type="checkbox"/>	022CW37	8" x 2" Pneumatic Inserts (not avail. w/ 90° Hangers or kids frame length)	\$363.00

Caster Options			
<input type="checkbox"/>	022CS5	3/4" Longer Fork Stem Bolt	NC
<input type="checkbox"/>	022CS9	1 1/2" Longer Fork Stem Bolt	NC
<input type="checkbox"/>	022CS3	Caster Pin Locks (Not available with 8" x 2" or Transit Opt.)	\$140.00
<input type="checkbox"/>	022CW38	Omit Caster, Wheels & Tires	NC

Front Seat to Floor Height Guide (Reference Only)										
Rear Wheel Size	CASTER SIZE									
	3"	4"	5"	6"	8"x1"	8"x1.5"	8"x2"			
12"	16.5	16.5	16.5	16.5	N/A	N/A	N/A			
	17.0	17.0	17.0	17.0						
12" Low Poly	15.5	15.5	15.5	15.5	N/A	N/A	N/A			
	16.0	16.0	16.0	16.0						
16"	15.5	15.5	15.5	15.5	N/A	N/A	N/A			
	16.0	16.0	16.0	16.0						
18"	15.0	15.0	15.0		N/A	N/A	N/A			
	15.5	15.5	15.5							
	16.0	16.0	16.0	16.0						
	16.5	16.5	16.5	16.5						
20"	17.0	17.0	17.0	17.0	N/A	N/A	N/A			
	17.5	17.5	17.5	17.5						
	18.0	18.0	18.0	18.0				18.0	18.0	18.0
	18.5	18.5	18.5	18.5				18.5	18.5	18.5
	15.5	15.5	15.5							
	16.0	16.0	16.0							
22"	16.5	16.5	16.5	16.5	N/A	N/A	N/A			
	17.0	17.0	17.0	17.0						
	17.5	17.5	17.5	17.5				17.5	17.5	17.5
	18.0	18.0	18.0	18.0				18.0	18.0	18.0
	18.5	18.5	18.5	18.5				18.5	18.5	18.5
	19.0	19.0	19.0	19.0				19.0	19.0	19.0
24"	16.0	16.0	16.0	16.0	N/A	N/A	N/A			
	16.5	16.5	16.5	16.5						
	17.0	17.0	17.0	17.0						
	17.5	17.5	17.5	17.5				17.5	17.5	17.5
	18.0	18.0	18.0	18.0				18.0	18.0	18.0
	18.5	18.5	18.5	18.5				18.5	18.5	18.5
	19.0	19.0	19.0	19.0				19.0	19.0	19.0
	19.5	19.5	19.5	19.5				19.5	19.5	19.5
20.0	20.0	20.0	20.0	20.0	20.0	20.0				

Based on rear seat to floor height up to 1.5" lower than front seat to floor height. To achieve desired seat height see matrices on last page.

Mark For: \_\_\_\_\_

✓	Option #	Definition	Price	✓	Option #	Definition	Price
---	----------	------------	-------	---	----------	------------	-------

**11. AXLES AND WHEELS**

Axle Plate			
<input type="checkbox"/>	022AL2	Standard	NC
<input type="checkbox"/>	022AL81	Amputee	\$191.00
<input type="checkbox"/>	022AL16	One Arm Drive (Avail with 13"-16" widths only) (Not avail. w/ amputee axle plate, 12", 16" or 18" wheels.)	\$1,276.00
<b>Standard Handrim</b>			
<input type="checkbox"/>	022OA2		NC
<input type="checkbox"/>	022HM1	Right	NC
<input type="checkbox"/>	022HM2	Left	NC
<b>Small Handrim (not avail w/20" rear wheels)</b>			
<input type="checkbox"/>	022OA1		NC
<input type="checkbox"/>	022HM1	Right	NC
<input type="checkbox"/>	022HM2	Left	NC

Axle			
<input type="checkbox"/>	022AX1	Quick Release	NC
<input type="checkbox"/>	022AX11	Quad Quick Release (not available with Lite Spokes)	\$168.00

Rear Wheel Size			
<input type="checkbox"/>	022RW48	12" Mag (Not available with handrims)	\$43.00
<input type="checkbox"/>	022RW14	16" Mag (Not available with handrims)	NC

Rear Wheel Size - Cont			
<input type="checkbox"/>	022RW3	20" Mag	NC
<input type="checkbox"/>	022RW8	22" Mag	STD
<input type="checkbox"/>	022RW1	24" Mag	NC
<input type="checkbox"/>	022RW12	18" Spoke	\$150.00
<input type="checkbox"/>	022RW74	20" Lite Spoke	NC
<input type="checkbox"/>	022RW75	22" Lite Spoke	NC
<input type="checkbox"/>	022RW54	24" Lite Spoke	\$295.00
<input type="checkbox"/>	022RW25	Omit Rear Wheel & Axle	(\$44.00)

Rear Wheel Tire			
<input type="checkbox"/>	022RT1	Pneumatic	NC
<input type="checkbox"/>	022RT2	Pneumatic Airless Insert	\$228.00
<input type="checkbox"/>	022RT3	Full Polyurethane (Not avail.w/ 12", 16" and 18" rear wheels)	NC
<input type="checkbox"/>	022RT4	Low Polyurethane (Only available with 12" and 24" wheels )	NC
<input type="checkbox"/>	022RT6	High Pressure Clincher (Avail. w/ 24" spoke wheels, not avail. With mag wheels)	\$96.00

Handrim			
<input type="checkbox"/>	022HR1	Aluminum Anodized	NC
<input type="checkbox"/>	022HR4	Plastic Coated	\$134.00
<input type="checkbox"/>	022HR7	Omit (Not available with wheel/axle credit)	(\$12.00)

Projections (Not Available on Plastic Coated)			
<i>Only available with 24" wheels</i>			
<input type="checkbox"/>	022HR8	8 Oblique	\$134.00

Hub Lock			
<i>Note: Only available with 12" or 16" wheels. Not available with one arm drive.</i>			
<input type="checkbox"/>	022LK01	12" Hub Lock	\$150.00
<input type="checkbox"/>	022LK02	16" Hub Lock	\$150.00

Wheel Lock			
<i>Not available with Hub Lock</i>			
<input type="checkbox"/>	022WL1	High Mount Push (not avail. w/kids frame and 24" rear wheels)	NC
<input type="checkbox"/>	022WL2	High Mount Pull (not avail. w/kids frame and 24" rear wheels)	NC
<input type="checkbox"/>	022WL25	Foot Lock (may limit folding width & n/a w/ 24" rear wheels and kids frame)	NC
<input type="checkbox"/>	022WL10	Omit	NC

Extension Handle			
<input type="checkbox"/>	022EH1	6" Pair	\$67.00

Anti-Tip			
<input type="checkbox"/>	022AO1	Front Anti-Tip (Not avail. with caster pin locks or transit opt.)	\$145.00
<input type="checkbox"/>	022AT1	Rear Anti-Tip	\$111.00

Mark For: \_\_\_\_\_

✓	Option #	Definition	Price	✓	Option #	Definition	Price
---	----------	------------	-------	---	----------	------------	-------

**12. ACCESSORIES**

**Back Pack (Kids Backpack included)**

<input type="checkbox"/>	022A1	Utility Backpack - Black	\$103.00
<input type="checkbox"/>	022A2	Additional Kids Black Backpack	\$96.00

**Seat Pouch**

<input type="checkbox"/>	022A8	Black	\$77.00
--------------------------	-------	-------	---------

**Miscellaneous**

<input type="checkbox"/>	022A82	Caddy	\$83.00
<input type="checkbox"/>	022A83	Tool Kit	\$39.00
<input type="checkbox"/>	022A49	Crutch Holder-Assem. Fold Chair	\$106.00

**Positioning Belt (w/clamps)**

<input type="checkbox"/>	022A112	1" Dual Pull Side Squeeze Padded	\$122.00
<input type="checkbox"/>	022A117	Belt 2" Aircraft Buckle	\$129.00
<input type="checkbox"/>	022A118	Belt 2" Aircraft Buckle Padded	\$188.00
<input type="checkbox"/>	022A141	Belt 1.5" Auto Buckle w/Clamps	\$90.00
<input type="checkbox"/>	022A814	1" Comfort Fit APB5116	\$134.00

**Spoke Guard**

(Not available with 12", 16" and 18" rear wheels or projections)

<input type="checkbox"/>	022A23	Black	\$145.00
<input type="checkbox"/>	022A303	Clear Zippie	\$145.00

**Upper Extremity Support Tray**

<input type="checkbox"/>	022A29	X-Small (Suggested 10"-12")	\$351.00
<input type="checkbox"/>	022A30	Small (Suggested 13"-14")	\$351.00
<input type="checkbox"/>	022A31	Medium (Suggested 15"-17")	\$351.00

**Side Guard**

(Not available with height adjustable armrests and T-Posts)

<input type="checkbox"/>	022SG33	Plastic Std	\$173.00
<input type="checkbox"/>	022SG29	Plastic Low	\$173.00

**Canopy (Sun Shade)**

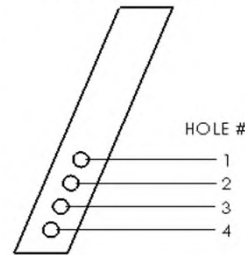
(Need 2" back post clearance to mount canopy hardware, may require next height based on seating; please note some interference may occur with some headrest configurations)

<input type="checkbox"/>	0228A06	Canopy (Sun shade) 10"-14" Width	\$396.00
<input type="checkbox"/>	0228A07	Canopy (Sun shade) 15"-20" Width	\$396.00

**Zippie 2 Seat Height Setup**

Caster Fork Size	Caster Stem	Caster Fork Hole Position	CASTER SIZE								
			3	4	5	6	8x1	8x1.5	8x2		
5-1/4 (N/A with 8x2 Caster)	Std	1			15						
		2		15	15.5	16					
		3	15	15.5	16	16.5					
		4	15.5	16	16.5	17	18	18			
	+3/4"	1			16						
		2		16	16.5	17					
		3	16	16.5	17	17.5					
		4	16.5	17	17.5	18	19	18.5			
	+1-1/2"	1			16.5						
		2		16.5	17	17.5					
		3	16.5	17	17.5	18					
		4	17	17.5	18	18.5	19.5	19.5			
6" (N/A with 8x2 Caster)	Std	1			16	16.5	17	18	17.5		
		2		16	16.5	17	17.5	18.5	18		
		3	16	16.5	17	17.5	18.5	18			
		4	16.5	17	17.5	18	19	18.5			
	+3/4"	1			16.5	17					
		2		16.5	17	17.5	18.5	18.5			
		3	16.5	17	17.5	18	19	19			
		4	17	17.5	18	18.5	19.5	19.5			
	+1-1/2"	1			17.5	18	18.5	19.5	19		
		2		17.5	18	18.5	19	20	19.5		
		3	17.5	18	18.5	19	20	20			
		4	18	18.5	19	19.5	20.5	20.5			
7" (N/A with 8x2 Caster)	Std	1			17	17.5	18.5	18.5	18		
		2		17	17.5	18	19	18.5			
		3	17	17.5	18	18.5	19.5	19			
		4	17.5	18	18.5	19	20	19.5			
	+3/4"	1			17.5	18	18.5	19	19		
		2		17.5	18	18.5	19.5	19.5			
		3	17.5	18	18.5	19	20	20			
		4	18	18.5	19	19.5	20.5	20.5			
	+1-1/2"	1			18.5	19	20	20	19.5		
		2		18.5	19	19.5	20.5	20			
		3	18.5	19	19.5	20	21	20.5			
		4	19	19.5	20	20.5	21.5	21			
8" Wide (must use with 8x2 caster)	Std	1								18	
		2								19	
	+3/4"	1								18.5	
		2								19.5	
	+1-1/2"	1								19.5	
		2								20.5	

5-1/4", 6" & 7" Fork



8" Wide Fork

