



# Zippie IRIS

## November 2016

### EIZ5A

Date: _____	<b>SUBMITTING FOR:</b> <input type="checkbox"/> Quote <input type="checkbox"/> Order
Dealer Acct #: _____	
Dealer: _____	PO#: _____
Dealer Contact: _____	Ship To: _____
Dealer Address: _____	Attention: _____
Dealer City: _____ PR: _____ PC: _____	Address: _____
Dealer Phone: (    ) _____ Fax: (    ) _____	Address: _____
Confirm Via: <input type="checkbox"/> Fax <input type="checkbox"/> Email	Ship To City: _____ PR: _____ PC: _____
	Ship To Phone: (    ) _____ Fax: (    ) _____

Mark For: \_\_\_\_\_

✓	Option #	Definition	Price	✓	Option #	Definition	Price
---	----------	------------	-------	---	----------	------------	-------

### 1. FRAME

<b>NEW!</b> <b>Base Model (Rocker cover NA with folding)</b>			
<i>Maximum user weight is 225 lbs</i>			
<i>Maximum weight capacity for Z-Finity footrests is 165 lbs</i>			
<input type="checkbox"/>	188WM48	Zippie IRIS Transit Included Includes True fit Growth	\$3,855.00
<input type="checkbox"/>	188WM47	Zippie IRIS Transit Optional Includes True fit Growth	\$3,855.00
<input type="checkbox"/>	188WM91	Zippie IRIS Folding Transit Included <i>Includes True fit Growth. NA w/Mono</i>	\$4,063.00
<input type="checkbox"/>	188WM90	Zippie IRIS Folding Transit Optional <i>Includes True fit Growth. NA with Mono</i>	\$4,063.00

<b>Transit (For use when Transit Optional frame is selected)</b>			
<input type="checkbox"/>	188TO45	Transit Optional	NC

<b>Tilt Release Options</b>			
<input type="checkbox"/>	188TT8	Foot Release - (Not Avail. w/ Vent and Battery Tray. May limit folded width, folding frame defaults to right side) <input type="checkbox"/> Left <input type="checkbox"/> Right (facing from rear)	NC
<input type="checkbox"/>	188TT12	Dual Trigger Cable Release	NC

<b>Frame Struts (Rigid Frames Only)</b>			
<input type="checkbox"/>	188GY01	Fixed Struts (Growth thru kits) NA W/Folding	STD
<input type="checkbox"/>	188GY02	Width Adjusting system (built in growth 2") NA w/ Mono Back or Folding	\$60.00

<b>Pre-Set Tilt Angle (55° range) (Default in Bold, NA w/ reclining back)</b>			
<input type="checkbox"/>	188TA5	-5° to 50° (Not available. with 12.5" STFH.)	NC
<input type="checkbox"/>	188TA6	<b>0° to 55°</b>	STD
<input type="checkbox"/>	188TA7	+5° to 60°	NC

<b>Frame Options</b>			
<input type="checkbox"/>	188FT46	Contracture Seat Frame (Not Avail. w/10" Frame Depth or Folding)	NC
<input type="checkbox"/>	188FS29	Battery Tray (Not avail. w/ 10" & 11" frame widths, foot wheel lock or Folding)	\$536.00

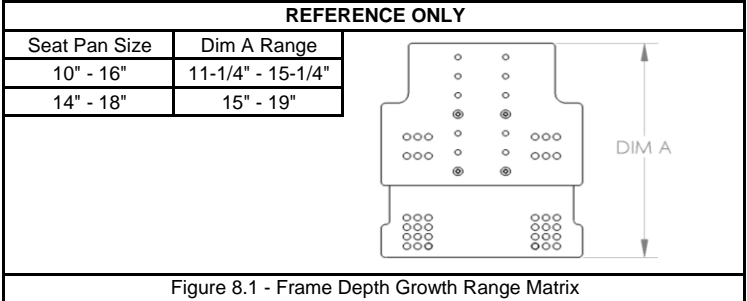
<b>Pre-Set Tilt Angle (40° range) (Default in Bold)</b>			
<input type="checkbox"/>	188TA8	-5° to 35° (Not available with 12.5" STFH.)	NC
<input type="checkbox"/>	188TA9	0° to 40°	STD
<input type="checkbox"/>	188TA10	<b>+5° to 45°</b>	NC

### 2. SIZE / SEATING

<b>Frame Width</b>			
<input type="checkbox"/>	188W1	10" (NA w/ Mono)	NC
<input type="checkbox"/>	188W2	11" (NA w/Mono)	NC
<input type="checkbox"/>	188W3	12"	NC
<input type="checkbox"/>	188W4	13"	NC
<input type="checkbox"/>	188W5	14"	STD
<input type="checkbox"/>	188W6	15"	NC
<input type="checkbox"/>	188W7	16" (Folding Grows to 18")	NC
<input type="checkbox"/>	188W8	17" (Folding Grows to 18")	NC
<input type="checkbox"/>	188W9	18" (No Growth with Folding)	NC

<b>JAY Cushions (Optional)</b>									
<i>To order any JAY cushions on-chair, please see the JAY price list. Cushion name or part number must be filled out with desired width and depth.</i>									
<input type="checkbox"/>	188JC20	<table border="1" style="width: 100%; border-collapse: collapse;"> <tr> <th colspan="2" style="text-align: center;">JAY Bundled Cushion</th> <th rowspan="3" style="width: 10%; text-align: center;">Price List</th> </tr> <tr> <td style="width: 5%;">Name / Part #</td> <td style="width: 50%;"></td> </tr> <tr> <td>Width:</td> <td>Depth:</td> </tr> </table>	JAY Bundled Cushion		Price List	Name / Part #		Width:	Depth:
JAY Bundled Cushion		Price List							
Name / Part #									
Width:	Depth:								

<b>Seats (Limits Folding ability)</b>			
<input type="checkbox"/>	188ST35	Seat Pan-Growable (Fig. 8.1)	\$152.00
<input type="checkbox"/>	188ST36	Drop Seat Pan	\$152.00
<input type="checkbox"/>	188ST54	Omit Seat Pan	STD



<b>Custom Seating</b>			
<i>For best performance seating should have universal hardware</i>			
<input type="checkbox"/>	188QC01	JAY Surefit	
<input type="checkbox"/>	188QC02	JAY Configuerfit	

Mark For: \_\_\_\_\_

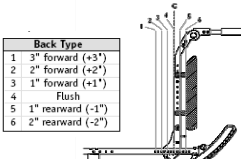
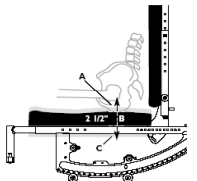
--	--	--	--

<input type="checkbox"/> Option #	Definition	Price	<input type="checkbox"/> Option #	Definition	Price
-----------------------------------	------------	-------	-----------------------------------	------------	-------

**2. SIZE / SEATING CONT.**

**Frame Depth**

(Choose Selections from A OR B)

Selection A: Frame Depth Set up By Zippie	
<b>Desired Seat Depth</b>	
<input type="checkbox"/> 10"	<input type="checkbox"/> 11" <input type="checkbox"/> 12" <input type="checkbox"/> 13" <input type="checkbox"/> 14"
<input type="checkbox"/> 15"	<input type="checkbox"/> 16" <input type="checkbox"/> 17" <input type="checkbox"/> 18"
<b>Back Type</b>	
<input type="checkbox"/> 3"	<input type="checkbox"/> 2" <input type="checkbox"/> 1"
<input type="checkbox"/> Flush	<input type="checkbox"/> -1" <input type="checkbox"/> -2"
	
This section determines frame length	
Top of Cushion to Seat Rail	
<input type="checkbox"/> 2 1/2" or Greater <input type="checkbox"/> Less than 2 1/2" (STD) <input type="checkbox"/> Below Seat Rail	
	

Select from A OR B

Selection B: Frame Depth Range			
<input type="checkbox"/>	188SN01	Short Seat Frame 10"-14"	NC
<input type="checkbox"/>	188SN02	Medium Seat Frame 12"-16"	NC
<input type="checkbox"/>	188SN03	Long Seat Frame 14"-18"	NC
Selection B: Frame Depth			
<input type="checkbox"/>	188FD1	10" recommended w/ Short Seat Frame. Not avail. with Contracture Footrest System	NC
<input type="checkbox"/>	188FD2	11" recommended w/ Short Seat Frame.	NC
<input type="checkbox"/>	188FD3	12" rec. w/ Short Seat Frame	NC
<input type="checkbox"/>	188FD4	13" rec. w/ Med. Seat Frame	NC
<input type="checkbox"/>	188FD5	14" rec. w/ Med. Seat Frame	NC
<input type="checkbox"/>	188FD6	15" rec. w/ Med. Seat Frame	NC
<input type="checkbox"/>	188FD7	16" rec. w/ Long Seat Frame	NC
<input type="checkbox"/>	188FD8	17" rec. w/ Long Seat Frame	NC
<input type="checkbox"/>	188FD9	18" rec. w/ Long Seat Frame	NC

**3. CASTERS / SEAT HEIGHT**

Caster Wheel		
<input type="checkbox"/>	188CW31	4" Micro Light Up (NA with Folding) \$95.00
<input type="checkbox"/>	188CW73	4" x 1.25" Semi-Pneumatic (NA W/Folding) NC
<input type="checkbox"/>	188CW51	5" Micro Light Up \$95.00
<input type="checkbox"/>	188CW5	5" Low-Profile Polyurethane STD
<input type="checkbox"/>	188CW7	5" x 1.5" Semi-Pneumatic \$95.00
<input type="checkbox"/>	188CW33	6" Pneumatic \$95.00
<input type="checkbox"/>	188CW34	6" Polyurethane NC
<input type="checkbox"/>	188CW35	6" x 1.5" Semi-Pneumatic \$95.00
<input type="checkbox"/>	188CW21	8" Pneumatic \$126.00
<input type="checkbox"/>	188CW32	8" Polyurethane NC
<input type="checkbox"/>	188CW39	8" x 1.5" Semi-Pneumatic \$126.00
<input type="checkbox"/>	188CW36	8" x 2" Pneumatic \$215.00
<input type="checkbox"/>	188CW37	8" x 2" Pneumatic w/Airless Insert \$342.00

Please call customer service for 13.25 on a 12" RW and 4" Caster (Rigid only)						
Rear Wheel Size	CASTER SIZE					
	<input type="checkbox"/> 4	<input type="checkbox"/> 5	<input type="checkbox"/> 6	<input type="checkbox"/> 8x1	<input type="checkbox"/> 8x 1.5	<input type="checkbox"/> 8x2
<input type="checkbox"/> 12	<input type="checkbox"/> 13.25	<input type="checkbox"/> 16.0	<input type="checkbox"/> 16.0			
		<input type="checkbox"/> 16.5	<input type="checkbox"/> 16.5		<input type="checkbox"/> 16.5	
		<input type="checkbox"/> 17.0	<input type="checkbox"/> 17.0	<input type="checkbox"/> 17.0	<input type="checkbox"/> 17.0	<input type="checkbox"/> 17.0
		<input type="checkbox"/> 17.5		<input type="checkbox"/> 17.5	<input type="checkbox"/> 17.5	
<input type="checkbox"/> 12 Low Poly		<input type="checkbox"/> 15.0	<input type="checkbox"/> 15.0			
		<input type="checkbox"/> 15.5	<input type="checkbox"/> 15.5			
		<input type="checkbox"/> 16.0	<input type="checkbox"/> 16.0			
		<input type="checkbox"/> 16.5		<input type="checkbox"/> 16.5	<input type="checkbox"/> 16.5	<input type="checkbox"/> 16.5
<input type="checkbox"/> 16		<input type="checkbox"/> 13.5				
		<input type="checkbox"/> 14.0	<input type="checkbox"/> 14.5			
		<input type="checkbox"/> 14.5	<input type="checkbox"/> 17.0	<input type="checkbox"/> 17.5	<input type="checkbox"/> 17.5	
		<input type="checkbox"/> 17.5	<input type="checkbox"/> 17.5	<input type="checkbox"/> 18.0	<input type="checkbox"/> 18.0	<input type="checkbox"/> 18.0
		<input type="checkbox"/> 18.0	<input type="checkbox"/> 18.0	<input type="checkbox"/> 18.5	<input type="checkbox"/> 18.5	
		<input type="checkbox"/> 18.5	<input type="checkbox"/> 18.5		<input type="checkbox"/> 19.0	<input type="checkbox"/> 19.0
<input type="checkbox"/> 20		<input type="checkbox"/> 15.5	<input type="checkbox"/> 16.0			
		<input type="checkbox"/> 16.0	<input type="checkbox"/> 16.5	<input type="checkbox"/> 16.5	<input type="checkbox"/> 16.5	<input type="checkbox"/> 16.5
		<input type="checkbox"/> 16.5	<input type="checkbox"/> 17.0	<input type="checkbox"/> 17.0	<input type="checkbox"/> 17.0	<input type="checkbox"/> 17.0
<input type="checkbox"/> 22		<input type="checkbox"/> 17.0	<input type="checkbox"/> 16.5		<input type="checkbox"/> 16.5	
		<input type="checkbox"/> 17.5	<input type="checkbox"/> 17.0	<input type="checkbox"/> 17.0	<input type="checkbox"/> 17.0	<input type="checkbox"/> 17.0
		<input type="checkbox"/> 18.0	<input type="checkbox"/> 17.5	<input type="checkbox"/> 17.5	<input type="checkbox"/> 17.5	
			<input type="checkbox"/> 18.0	<input type="checkbox"/> 18.0	<input type="checkbox"/> 18.0	<input type="checkbox"/> 18.0
<input type="checkbox"/> 24			<input type="checkbox"/> 17.0		<input type="checkbox"/> 17.5	
		<input type="checkbox"/> 17.5	<input type="checkbox"/> 17.5	<input type="checkbox"/> 18.0	<input type="checkbox"/> 18.0	<input type="checkbox"/> 18.0
		<input type="checkbox"/> 18.0	<input type="checkbox"/> 18.0	<input type="checkbox"/> 18.5	<input type="checkbox"/> 18.5	
		<input type="checkbox"/> 18.5	<input type="checkbox"/> 18.5	<input type="checkbox"/> 19.0	<input type="checkbox"/> 19.0	<input type="checkbox"/> 19.0
NA with Folding						

Mark For: \_\_\_\_\_

--

✓	Option #	Definition	Price	✓	Option #	Definition	Price
---	----------	------------	-------	---	----------	------------	-------

**4. REAR WHEELS / SEAT HEIGHT**

<b>One Arm Drive</b>			
<i>One Arm Drive NA with folding frame</i>			
<input type="checkbox"/>	188AL17	One Arm Drive (Avail. w/ 20", 22", 24" Mag Rear Wheels).	\$1,203.00
<input type="checkbox"/>	188OA2	<b>Standard Handrim</b>	NC
<input type="checkbox"/>	188HM1	Right	NC
<input type="checkbox"/>	188HM2	Left	NC
<input type="checkbox"/>	188OA1	<b>Small Handrim</b>	NC
<input type="checkbox"/>	188HM1	Right	NC
<input type="checkbox"/>	188HM2	Left	NC

<b>Rear Wheel Tire</b>			
<input type="checkbox"/>	188RT1	Pneumatic	NC
<input type="checkbox"/>	188RT2	Pneumatic Airless Insert	\$215.00
<input type="checkbox"/>	188RT3	Full Polyurethane (Not avail.w/ 12" & 16" rear wheels)	NC
<input type="checkbox"/>	188RT4	Low Polyurethane (Only available with 12" wheels)	NC

<b>Axle</b>			
<input type="checkbox"/>	188AX26	One Arm Drive Axle (Only avail. w/One Arm Drive Option)	STD
<input type="checkbox"/>	188AX1	Quick Release	NC
<input type="checkbox"/>	188AX11	Quad Quick Release (not available with Lite Spokes)	\$158.00

<b>Handrim</b>			
<input type="checkbox"/>	188HR1	Aluminum Anodized	NC
<input type="checkbox"/>	188HR4	Plastic Coated	\$126.00
<input type="checkbox"/>	188HR7	Omit (Not available with wheel/axle credit)	-\$12.00

<b>Rear Wheel Size</b>			
<input type="checkbox"/>	188RW13	12" Mag (Not available with handrims)	STD
<input type="checkbox"/>	188RW14	16" Mag (Not available with handrims)	NC
<input type="checkbox"/>	188RW3	20" Mag	NC
<input type="checkbox"/>	188RW8	22" Mag	NC
<input type="checkbox"/>	188RW1	24" Mag	NC
<input type="checkbox"/>	188RW90	20" Lite Spoke	\$278.00
<input type="checkbox"/>	188RW91	22" Lite Spoke	\$278.00
<input type="checkbox"/>	188RW54	24" Lite Spoke	\$278.00

<b>Projections (Not Available on Plastic Coated)</b>			
<i>Only available with 24" Mag wheels &amp; not available with spoke guards.</i>			
<input type="checkbox"/>	188HR8	8 Oblique	\$126.00

**5. WHEEL LOCKS / HUB LOCK**

<b>Wheel Lock</b>			
<i>Not available with Hub Lock</i>			
<input type="checkbox"/>	188WL34	High Mount Push	NC
<input type="checkbox"/>	188WL36	Foot Lock (NA w/ One Arm Drive. Folding frame defaults to left side, may limit folded width)	\$79.00
<input type="checkbox"/>	188WL10	Omit	NC

<b>Extension Handle</b>			
<input type="checkbox"/>	188EH1	6" Pair	\$63.00

<b>Hub Lock</b>			
<i>*Only available with 12" or 16" wheels. Not available w/one arm drive.</i>			
<input type="checkbox"/>	188LK01	12" Hub Lock	\$142.00
<input type="checkbox"/>	188LK02	16" Hub Lock	\$142.00

Mark For: \_\_\_\_\_

✓	Option #	Definition	Price	✓	Option #	Definition	Price
---	----------	------------	-------	---	----------	------------	-------

**6. FOOTRESTS (See Appendix for matrix)**

**Hanger Mounted Footrest (Footplates Mount to Hanger Tubing)**

**Hanger Type (Matrix next page for Ranges)**

<input type="checkbox"/>	188H140	70° Swing In/Out Front Mount	NC
<input type="checkbox"/>	188H142	80° Swing In/Out Front Mount	NC
<input type="checkbox"/>	188H158	90° Swing In/Out Front Mount	NC
<input type="checkbox"/>	188H9	70° Hvy Dty Fnt Mount Lift-Off	\$184.00
<input type="checkbox"/>	188H10	80° Hvy Dty Fnt Mount Lift-Off	NC
<input type="checkbox"/>	188H11	90° Hvy Dty Fnt Mount Lift-Off	NC
<input type="checkbox"/>	188H161	Elev.Fnt Mount (n/a 10-11" wide)	\$295.00

**Extensions (may interfere with some seat heights & casters)**

<input type="checkbox"/>	188E23	2" (not mounted)	\$47.00
<input type="checkbox"/>	188E24	4" (not mounted)	\$47.00

**Footplate**

<input type="checkbox"/>	188F9	Kids Angle Adjustable (not avail. w/17"-18" widths)	NC
<input type="checkbox"/>	188F8	Adult Angle Adj. (Available with 10"-18" widths)	\$152.00
<input type="checkbox"/>	188F62	Footboard (Available with 10"-16" widths)	\$200.00

**Ext. Tube Mounted Footrests (Footplates Mount to Ext. Tube)**

**Hanger Type (Matrix next page for Ranges)**

<input type="checkbox"/>	188H145	60° Swing In/Out	NC
<input type="checkbox"/>	188H139	70° Swing In/Out	STD
<input type="checkbox"/>	188H141	80° Swing In/Out (n/a w/8" Casters)	STD
<input type="checkbox"/>	188H159	Articulating (not avail. 10"-13")	\$457.00
<input type="checkbox"/>	188H160	Elevating (Not avail. w/ platform footplates or < 14" width)	\$295.00

**Extensions (Matrix next page for Ranges)**

<input type="checkbox"/>	188E1	Short	NC
<input type="checkbox"/>	188E2	Medium	NC
<input type="checkbox"/>	188E5	Long	NC
<input type="checkbox"/>	188E16	High Mount	\$84.00

**Footplate**

<input type="checkbox"/>	188F1	Composite (not avail. In 10", 11" or 12" width)	STD
<input type="checkbox"/>	188F3	Adult Angle Adjustable (Available with 10"-18" widths)	\$152.00
<input type="checkbox"/>	188F4	Kids Angle Adjustable (not avail. w/17"-18" width)	NC
<input type="checkbox"/>	188F5	Aluminum (Only available with elevating legrests 14"-18")	NC
<input type="checkbox"/>	188F48	Platform Flip-Up (Avail on 60° 70° and 80° ext. mount hangers only. NA w/Folding Frame)	\$200.00

**NEW! Hanger Mounts**

1" Offset NA with -5-50° and -5-35° preset tilt angle and possible interference with 80° & 90° hangers

<input type="checkbox"/>	188MZ02	Standard Hanger Mount	STD
<input type="checkbox"/>	188MZ01	1" Offset Hanger Mount	NC

**Footrest Hanger Options**

<input type="checkbox"/>	188IG2	Neoprene Covers (Only avail. for ext. mount hangers)	\$53.00
<input type="checkbox"/>	188HL1	Heel Loops (Z-finity NA widths 10"-14")	NC
<input type="checkbox"/>	188HL5	Leg Strap	NC
<input type="checkbox"/>	188A54	Extra Single Leg Strap	\$53.00
<input type="checkbox"/>	188A110	Toe Loop (Only avail. w/ adult angle adjust. Footplates, NA w/Z-finity)	\$37.00
<input type="checkbox"/>	188H32	Omit Hanger	-\$16.00
<input type="checkbox"/>	188F7	Omit Footplate and Ext. Tube	-\$16.00

**NEW! Z-finity Hangers/Footrest System**

(Maximum weight capacity for Z-Finity footrests is 165 lbs)

Some interference may exist in certain configurations.

<input type="checkbox"/>	188H162	Z-finity Hanger	STD
--------------------------	---------	-----------------	-----

**Z-finity Footrest Mount (Must Chose see Illustration in appendix)**

<input type="checkbox"/>	188DI22	Direct Hanger Mt/Fixed Frame - High	NC
<input type="checkbox"/>	188DI23	Direct Hanger Mt/Fixed Frame - Low	NC
<input type="checkbox"/>	188DI24	Extension Tube Mount	NC

**Z-finity Footrest Pivot Arm (Must Choose, use matrix in appendix for leg length)**

<input type="checkbox"/>	188DI20	Short 2"	NC
<input type="checkbox"/>	188DI21	Long 3 1/4"	NC

**Z-finity Footplate**

Some interference may exist in certain configurations.

<input type="checkbox"/>	188F320	Multi Angle Adjustable (Pair) (not avail. w/8"-9" widths)	\$215.00
<input type="checkbox"/>	188F321	Angle Adjustable Platform Footboard	\$201.00
<input type="checkbox"/>	188F6	Omit Footplate	NC

**Z-finity ExtensionTube Length (When Choosing Ext. Tube Mount)**

<input type="checkbox"/>	188E62	Hemi Short	NC
<input type="checkbox"/>	188E1	Short	NC
<input type="checkbox"/>	188E2	Medium	NC
<input type="checkbox"/>	188E5	Long	NC

**JAY FOOT BOXES**

Only available with Swing Away, Lift-off Hangers ,Adult Angle Adj Footplates and ALR/ELR. Single Foot Box pairs NA with 10"-15" frame widths. Full Foot boxes NA with Heel Loop or Leg Strap or in odd number sizes, Tall Height NA w/ 14"-15" frame widths and ALR/ELR. NA w/ Z-finity.

**Single Foot Box**

<input type="checkbox"/>	188JX01	Standard Height - Left	\$232.00
<input type="checkbox"/>	188JX02	Tall Height - Left	\$263.00
<input type="checkbox"/>	188JX03	Standard Height - Right	\$232.00
<input type="checkbox"/>	188JX04	Tall Height - Right	\$263.00
<input type="checkbox"/>	188JX05	Standard Height - Pair	\$464.00
<input type="checkbox"/>	188JX06	Tall Height - Pair	\$489.00

OR

**Full Foot Box**

<input type="checkbox"/>	188JX07	Full Foot box Std Height	\$464.00
<input type="checkbox"/>	188JX08	Full Foot box Tall Height	\$525.00
<input type="checkbox"/>	188JX09	Full Foot box w/ Divider Std Ht	\$464.00
<input type="checkbox"/>	188JX10	Full Foot box w/ Divider Tall Ht	\$525.00

Mark For: \_\_\_\_\_

--	--

✓	Option #	Definition	Price	✓	Option #	Definition	Price
---	----------	------------	-------	---	----------	------------	-------

**6. FOOTRESTS CONT. (See Appendix for matrix)**

**Contracture Footrest System (CFS)**

*NA w/ Neoprene Impact Guards, Kids Angle Adj. Aluminum Footrests, Dual Post Armrest or Folding Frame.*

<input type="checkbox"/>	188H26	Contracture Footrest System	\$520.00	<input type="checkbox"/>	<b>188E2</b>	<b>REGULAR</b>	<b>NC</b>
<input type="checkbox"/>	188FP01	CFS - Center Mount	NC	<input type="checkbox"/>	188EP5	12.5" Extension Height	NC
<input type="checkbox"/>	188FP02	CFS - Outside Mount	NC	<input type="checkbox"/>	188EP6	13.0" Extension Height	NC
<input type="checkbox"/>	<b>188E1</b>	<b>SHORT</b>	<b>NC</b>	<input type="checkbox"/>	188EP7	13.5" Extension Height	NC
<input type="checkbox"/>	188EP1	10.5" Extension Height	NC	<input type="checkbox"/>	188EP8	14.0" Extension Height	NC
<input type="checkbox"/>	188EP2	11.0" Extension Height	NC	<input type="checkbox"/>	188EP9	14.5" Extension Height	NC
<input type="checkbox"/>	188EP3	11.5" Extension Height	NC	<input type="checkbox"/>	188EP10	15.0" Extension Height	NC
<input type="checkbox"/>	188EP4	12.0" Extension Height	NC				
<input type="checkbox"/>	188EP5	12.5" Extension Height	NC				
<input type="checkbox"/>	188EP6	13.0" Extension Height	NC				

**7. BACKREST / SEATING**

**DYNAMIC BACKREST**

<input type="checkbox"/>	188BT101	Dynamic Backrest NA w/ Reclining or Folding	\$1,355.00
--------------------------	----------	------------------------------------------------	------------

**Jay Backs (Optional)**

*Ordering JAY backs on-chair, See the JAY Price List. Requires Part #*

<input type="checkbox"/>	188JB02	JAY Bundled Backrest Backrest Name or Part # Width: _____ Height: _____	Price List
--------------------------	---------	-------------------------------------------------------------------------------	------------

**STROLLER HANDLE BACK POSTS - BACK RESTS (Choose A, B, C or D)**

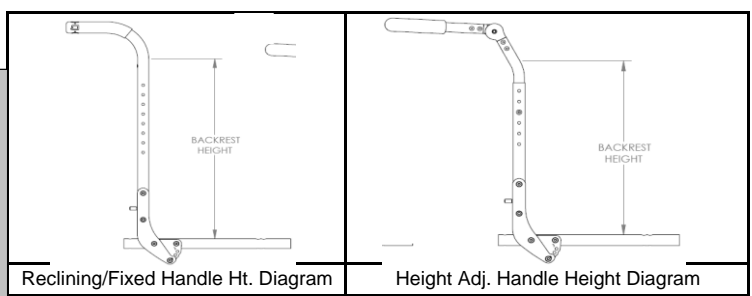
A. Fixed Height			
<input type="checkbox"/>	188BP9	Low (19" Ht)	NC
<input type="checkbox"/>	188BP10	Medium (22" Ht)	NC
<input type="checkbox"/>	188BP11	Tall (25" Ht)	NC
<input type="checkbox"/>	188BP13	Removable Extension	\$152.00
<input type="checkbox"/>	188RG1	Folding Adjustable Rigidizer NA w/ Mono Back	\$180.00

**OR**

C. Reclining Backrest			
<i>Only available with 40° Tilt Range. NA w/Folding Frame</i>			
<input type="checkbox"/>	188BT21	Reclining Backrest	\$1,366.00
<input type="checkbox"/>	188B172	Medium (21" Height)	NC
<input type="checkbox"/>	188B173	Tall (24" Height)	NC

**OR**

B Height Adjustable			
<i>Rigid Back w/ Angle Adjust Push Handle</i>			
<input type="checkbox"/>	188B170	<b>Std. (16"-22" Height.)</b>	NC
<input type="checkbox"/>	188PH8	<i>Std. Angle Adj. Push Handle Lgth</i>	NC
<input type="checkbox"/>	188PH9	<i>Long Angle Adj. Push Handle Length</i>	NC
<input type="checkbox"/>	188B171	<b>Tall (19"-25" Height.)</b>	NC
<input type="checkbox"/>	188PH8	<i>Std. Angle Adj. Push Handle Lgth</i>	NC
<input type="checkbox"/>	188PH9	<i>Long Angle Adj. Push Handle Length</i>	NC



Mark For: \_\_\_\_\_

--	--

✓	Option #	Definition	Price	✓	Option #	Definition	Price
---	----------	------------	-------	---	----------	------------	-------

**8. ARMRESTS / SIDE GUARDS**

**Armrest - Height Adjustable**

*Dual Post not available with 0 - 13" deep or with 14 - 15" deep seat pan, Dual Post also not available with contracture Footrest*

<input type="checkbox"/>	188AA12	T-Post Regular w/Foam	NC
<input type="checkbox"/>	188AA13	T-Post Tall w/Foam	NC
<input type="checkbox"/>	188AA3	Flip-Up	NC
<input type="checkbox"/>	188AA1	Adjustable Locking Flip-Up	\$295.00
<input type="checkbox"/>	188AA7	Length Adjust. Locking Flip-Up <i>NA with Contour Armpad</i>	\$295.00
<input type="checkbox"/>	188AA62	Dual Post	NC
<input type="checkbox"/>	188AA63	Dual Post Height Adjustable	\$315.00
<input type="checkbox"/>	188AA43	Dual Post Flip Back	\$147.00
<input type="checkbox"/>	188AA48	Dual Post Flip Back Height Adj.	\$295.00
<input type="checkbox"/>	188AA11	Single-Post Height Adj. Std.	\$295.00
<input type="checkbox"/>	188AA29	Single-Post Height Adj. Low	\$295.00
<input type="checkbox"/>	188AA154	Height Adj. Cantilever Armrest Avail. w/ <i>Mono Back only. NA w/ 20", 22" and 24" rear wheels.</i>	\$268.00

**ARMPAD**

*Contour only w/ Single Post Height Adj. Foam only Lengh Adj.*

<input type="checkbox"/>	188AM23	Desk Classic	NC
<input type="checkbox"/>	188AM21	Desk Contour	NC
<input type="checkbox"/>	188AM24	Full Classic	NC
<input type="checkbox"/>	188AM22	Full Contour	NC
<input type="checkbox"/>	188AM9	Foam Short	NC
<input type="checkbox"/>	188AM10	Foam Long	NC

**Armrest Receiver for Single Post Height Adjustable Armrest**

<input type="checkbox"/>	188AR17	Low	NC
<input type="checkbox"/>	188AR18	Std	NC

**JAY Arm Troughs**

*NA with Length Adj. Locking Flip Up and Adj Locking Flip Up armrests and Single Post Height Adj Armrests. Full Length Classic Armpads will automatically be selected when chosing only one side Arm Trough.*

<input type="checkbox"/>	188JL01	Arm Trough - 14" long - Left	\$160.00
<input type="checkbox"/>	188JL04	Arm Trough - 14" long - Right	\$160.00
<input type="checkbox"/>	188JL05	Arm Trough - 14" long - Pair	\$160.00
<input type="checkbox"/>	188JL02	Arm Trough - 18" long - Left	\$160.00
<input type="checkbox"/>	188JL06	Arm Trough - 18" long - Right	\$319.00
<input type="checkbox"/>	188JL07	Arm Trough - 18" long - Pair	\$160.00
<input type="checkbox"/>	188JL03	Arm Trough - 22" long - Left	\$319.00
<input type="checkbox"/>	188JL08	Arm Trough - 22" long - Right	\$160.00
<input type="checkbox"/>	188JL09	Arm Trough - 22" long - Pair	\$319.00

**JAY Arm Trough - Hardware**

<input type="checkbox"/>	188JN01	Fixed (EA)	NC
<input type="checkbox"/>	188JN03	Fixed (Pair)	NC
<input type="checkbox"/>	188JN02	Swing Away - Rotational (EA)	\$252.00
<input type="checkbox"/>	188JN04	Swing Away - Rotational (Pair)	\$500.00

**Side Guard**

*Not available with height adjustable armrests, T Posts or Cantilever armrests. NA w/ Mono Back.*

<input type="checkbox"/>	188SG33	Plastic Std	\$163.00
<input type="checkbox"/>	188SG29	Plastic Low	\$163.00

Armrest Size	Transfer Tube Length D	Receiver	CLASSIC PAD				
			H Range	Pad Length L			
				Desk	Full		
STD	8"	STD	10 3/4" to 15 3/4"	10 1/4"	14"		
		LOW	8 3/4" to 13 3/4"				
LOW	5 1/4"	STD	9" to 13"	10 1/2"	14 1/4"		
		LOW	7 1/4" to 11 1/4"				
			CONTOUR PAD				
			H Range	Pad Length L			
				Desk	Full		
			STD	10" to 15"	10 1/2"		14 1/4"
			LOW	8 1/4" to 12 1/2"			
			STD	8 1/2" to 12 1/2"			
			LOW	6 3/4" to 10 3/4"			

Armrest Matrix for Single Post

Mark For: \_\_\_\_\_

✓	Option #	Definition	Price	✓	Option #	Definition	Price
---	----------	------------	-------	---	----------	------------	-------

**8. ACCESSORIES**

**Back Pack (Kids Backpack included)**

*All Zippie chairs ship with one Kids Backpack at NC*

<input type="checkbox"/>	188A1	Utility Backpack - Black	\$97.00
<input type="checkbox"/>	188A2	Additional Zippie Backpack	\$90.00

**Seat Pouch**

<input type="checkbox"/>	188A8	Black	\$73.00
--------------------------	-------	-------	---------

**Miscellaneous**

<input type="checkbox"/>	188A83	Tool Kit	\$37.00
--------------------------	--------	----------	---------

**Positioning Belt (w/clamps)**

<input type="checkbox"/>	188A112	1" Dual Pull Side Squeeze Padded	\$115.00
<input type="checkbox"/>	188A117	Belt 2" Aircraft Buckle	\$121.00
<input type="checkbox"/>	188A118	Belt 2" Aircraft Buckle Padded	\$178.00
<input type="checkbox"/>	188A141	Belt 1.5" Auto Buckle w/Clamps	\$84.00
<input type="checkbox"/>	188A814	1" Comfort Fit APB5116	\$126.00

**Vertical Mount Vent Tray-Back cane Mount**

<input type="checkbox"/>	188LF12	Dovetail Vertical Frame Mounted Hardware for LTV Vent (limit 15#) includes 1 Utility Hook. Must remove for folding.	\$453.00
<input type="checkbox"/>	188LF13	Dovetail Vertical Frame Mt Hardware for Trilogy Vent (limit 15#) includes 1 Utility Hook. Must remove for folding.	\$453.00
<input type="checkbox"/>	188LF7	Utility Hook	\$26.00

**Upper Extremity Support Tray**

*When ordering a tray with full armrest or desk armrest pads, add 1" to seat width to determine best tray size. NA with JAY Arm Trough. Must remove for folding.*

<input type="checkbox"/>	188A29	X-Sm (Suggested 10"-12" Width)	\$331.00
<input type="checkbox"/>	188A30	Sm (Suggested 13"-14" Width)	\$331.00
<input type="checkbox"/>	188A31	Med (Suggested 15"-17" Width)	\$331.00
<input type="checkbox"/>	188A32	Lrg (Suggested 18"-20" Width)	\$331.00

**9. FRAME COLOR**

**Standard Colors**

<input type="checkbox"/>	188C140	Aztec Gold	NC
<input type="checkbox"/>	188C2	Black (Not avail as base w/Zebra)	NC
<input type="checkbox"/>	188C141	Black Cherry	NC
<input type="checkbox"/>	188C10	Black Opal	NC
<input type="checkbox"/>	188C38	Blue Opal	NC
<input type="checkbox"/>	188C36	Candy Blue	NC
<input type="checkbox"/>	188C14	Candy Purple	NC
<input type="checkbox"/>	188C35	Candy Red	NC
<input type="checkbox"/>	188C142	Electric Blue	NC
<input type="checkbox"/>	188C143	Evergreen	NC
<input type="checkbox"/>	188C126	Glow	NC
<input type="checkbox"/>	188C144	Green Apple	NC
<input type="checkbox"/>	188C147	Hot Sparkle Pink	NC
<input type="checkbox"/>	188C148	Mauve Pink	NC
<input type="checkbox"/>	188C103	Rootbeer	NC
<input type="checkbox"/>	188C114	Sparkle Silver	NC
<input type="checkbox"/>	188C145	Sunrise Orange	NC
<input type="checkbox"/>	188C113	Titanium Color Paint	NC
<input type="checkbox"/>	188C8	Yellow	NC

**Canopy (SunShade)**

*Need 2" back post clearance to mount canopy hardware, may require next height based on seating; please note some interference may occur with some headrest configurations. NA with Mono Back. Must remove for folding.*

<input type="checkbox"/>	1888A06	Canopy (Sunshade) 10"-14" Width	\$373.00
<input type="checkbox"/>	1888A07	Canopy (Sunshade) 15"-20" Width	\$373.00

**JAY Anterior Thoracic Support**

**Style**

<input type="checkbox"/>	188JY01	Classic Dynamic	\$213.00
<input type="checkbox"/>	188JY02	Classic Structure	\$213.00
<input type="checkbox"/>	188JY03	Contour Dynamic	\$213.00
<input type="checkbox"/>	188JY04	Contour Structure	\$213.00
<input type="checkbox"/>	188JY05	Center Opening with Buckle	\$213.00

**Size**

<input type="checkbox"/>	188JZ01	Small	NC
<input type="checkbox"/>	188JZ02	Medium	NC
<input type="checkbox"/>	188JZ03	Large	NC
<input type="checkbox"/>	188JZ04	X-Large	NC

**JAY Padded Trunk Strap**

<input type="checkbox"/>	188JA01	Padded Trunk Strap - Small	\$213.00
<input type="checkbox"/>	188JA02	Padded Trunk Strap - Medium	\$213.00
<input type="checkbox"/>	188JA03	Padded Trunk Strap - Large	\$213.00
<input type="checkbox"/>	188JA04	Padded Trunk Strap - XL	\$213.00

**Spoke Guard**

*Not available with 12" & 16" rear wheels & Projections Handrims*

<input type="checkbox"/>	188A23	Black	\$137.00
<input type="checkbox"/>	188A303	Clear Zippie	\$137.00

**Anti-Tip**

<input type="checkbox"/>	188AT1	Rear Anti-Tip	\$105.00
--------------------------	--------	---------------	----------

**Standard Matte Colors**

<input type="checkbox"/>	188C116	Matte Black	NC
<input type="checkbox"/>	188C151	Matte Black Cherry	NC
<input type="checkbox"/>	188C152	Matte Purple	NC
<input type="checkbox"/>	188C150	Matte Electric Blue	NC
<input type="checkbox"/>	188C149	Matte Evergreen	NC

**Custom Colors**

<input type="checkbox"/>	188C43	Mossy Oak Camouflage	\$320.00
<input type="checkbox"/>	188C42	Stars and Stripes	\$320.00
<input type="checkbox"/>	188C108	Zebra (Choose base color above: White Std, n/a black)	\$320.00

Mark For: \_\_\_\_\_

--

✓	Option #	Definition	Price	✓	Option #	Definition	Price
---	----------	------------	-------	---	----------	------------	-------

**10. BUNDLING**



*Save time! Wheelchair and seating will be delivered together.  
Hardware pre-installed.*

**Cushions**

<input type="checkbox"/> Jay Cushion:			
Width:		Depth:	
Notes:			

**Backs**

<input type="checkbox"/> Jay Back:			
Width:		Height:	
Notes:			

**Headrest**

<input type="checkbox"/> System:		
Pads:		
Notes:		
Hardware:		
Notes:		

**Jay Positioning Components**

<input type="checkbox"/> Anterior Trunk Supports:		
Size:		
Hand and Arm Supports:		
Size:		
Pelvic Positioning:		
Size:		
Foot Positioning:		
Size:		
Notes:		



Mark For: \_\_\_\_\_

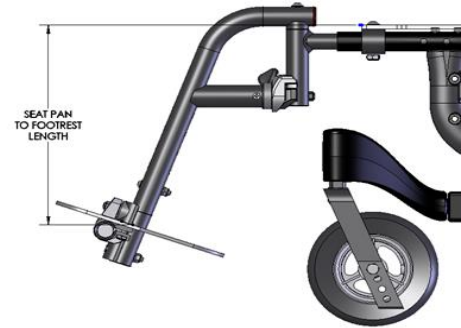
--	--

	Option #	Definition	Price		Option #	Definition	Price
--	----------	------------	-------	--	----------	------------	-------

**APPENDIX**

**Lower Leg Length Matrix**

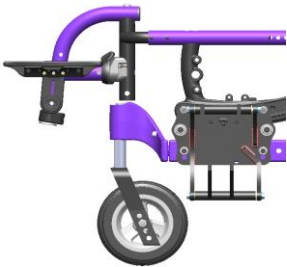
Hanger	Extension	Seat Pan to Top of Footrest		Min Allowable FSH
		Min	Max	
<b>70° Front Mount</b>	No Ext	3 1/2	9	11 1/2
	2"	3 1/2	11 1/2	13 1/2
	4"	3 1/2	13 1/2	15 1/2
<b>80° Front Mount</b>	No Ext	3 1/2	9 1/2	11 1/2
	2"	3 1/2	12	14
	4"	3 1/2	14	16
<b>90° Front Mount</b>	No Ext	3	9	11 1/2
<b>ELR Front Mount</b>	No Ext	3	7	10 1/2
<b>60° Swing In/Out</b>	Short	9	12 1/2	12 1/2
	Med	9	14 1/2	12 1/2
	Long	11 1/2	16	14 1/2
<b>70° Swing In/Out</b>	Short	10 1/2	15 1/2	12 1/2
	Med	10 1/2	17 1/2	13
	Long	13 1/2	19	15
<b>80° Swing In/Out</b>	Short	11	14 1/2	13
	Med	11	16 1/2	13
	Long	13	18	15
<b>ALR</b>	Short	14	17 1/2	12 1/2
	Med	15	19 1/2	13 1/2
	Long	16 1/2	19	14 1/2
<b>ELR Ext. Mount</b>	Short	13	17	12 1/2
	Medium	13	18 1/2	13 1/2
	Long	14 1/2	20	14 1/2



**Z-finity Matrix**

Direct Hanger Mount

Extension Tube Mount



--

Direct Hanger Mounted			
Footrest Adaptor	Hanger Mounting Position	Min	Max
Short	High Mount	-0.9	3.4
	Low Mount	2.6	6.7
Long	High Mount	-2.1	4.6
	Low Mount	1.3	7.9

Extension Tube Mounted			
Footrest Adaptor	Extension Tube Length	Min	Max
Short	Hemi Short	3.9	12.4
	Short	4.9	13.4
	Medium	6.6	15.4
Long	Long	8.6	17.4
	Hemi Short	2.6	13.6
	Short	4.1	14.6
	Medium	5.6	16.6
	Long	7.6	18.6

