



Quickie LXI/LX November 2016

| | |
|---|--|
| Mark For: Date: _____ Dealer Acct #: _____ Dealer: _____ Dealer Contact: _____ Dealer Address: _____ Dealer City: _____ PR: _____ PC: _____ Dealer Phone: () _____ Fax: () _____ Confirmation Email: _____ Confirm Via: <input type="checkbox"/> Fax <input type="checkbox"/> Email | Submitting for: <input type="checkbox"/> Quote <input type="checkbox"/> Order PO#: _____ ADDITIONAL SHIPPING INFORMATION Ship To: _____ Attention: _____ Address: _____ Address: _____ Ship To City: _____ PR: _____ PC: _____ Ship To Phone: () _____ Fax: () _____ |
|---|--|

| | | | | | | | |
|---|----------|------------|-------|---|----------|------------|-------|
| ✓ | Option # | Definition | Price | ✓ | Option # | Definition | Price |
|---|----------|------------|-------|---|----------|------------|-------|

1. FRAME STYLE

| | | | | | | | |
|--------------------------|---------|--|------------|--------------------------|---------|---|------------|
| <input type="checkbox"/> | 065WM31 | Quickie LXI (Adjustable Axle Plate) 265 lbs Weight Capacity | \$2,301.00 | <input type="checkbox"/> | 065WM30 | Quickie LX (Non Adjustable Axle Plate) 250 lbs Weight Capacity | \$1,981.00 |
|--------------------------|---------|--|------------|--------------------------|---------|---|------------|

2. FRAME SET UP

Transit Option

Includes stabilizer bar. Only on LXI. NA w/ padded swing away armrest

| | | | |
|--------------------------|--------|----------------|----------|
| <input type="checkbox"/> | 065TO1 | Transit System | \$352.00 |
|--------------------------|--------|----------------|----------|

Frame Width

| | | | |
|--------------------------|--------|-----|----------|
| <input type="checkbox"/> | 065W3 | 12" | NC |
| <input type="checkbox"/> | 065W4 | 13" | NC |
| <input type="checkbox"/> | 065W5 | 14" | NC |
| <input type="checkbox"/> | 065W6 | 15" | NC |
| <input type="checkbox"/> | 065W7 | 16" | NC |
| <input type="checkbox"/> | 065W8 | 17" | NC |
| <input type="checkbox"/> | 065W9 | 18" | NC |
| <input type="checkbox"/> | 065W41 | 19" | \$268.00 |
| <input type="checkbox"/> | 065W11 | 20" | \$268.00 |

Seat Depth

12"-14" NA w/ 8" casters or 24" wheels

| | | | |
|--------------------------|---------|-----|----------|
| <input type="checkbox"/> | 065SD5 | 12" | NC |
| <input type="checkbox"/> | 065SD6 | 13" | NC |
| <input type="checkbox"/> | 065SD7 | 14" | NC |
| <input type="checkbox"/> | 065SD8 | 15" | NC |
| <input type="checkbox"/> | 065SD9 | 16" | NC |
| <input type="checkbox"/> | 065SD10 | 17" | NC |
| <input type="checkbox"/> | 065SD11 | 18" | NC |
| <input type="checkbox"/> | 065SD74 | 19" | \$268.00 |
| <input type="checkbox"/> | 065SD13 | 20" | \$268.00 |

3. FRONT SEAT HEIGHT SET UP

Front Seat Height

Rear STFH ranges from 0" to 1 1/2" lower than front STFH

| | | | |
|--------------------------|---------|---|----|
| <input type="checkbox"/> | 065SH12 | 15" | NC |
| <input type="checkbox"/> | 065SH13 | 15.5" | NC |
| <input type="checkbox"/> | 065SH14 | 16" | NC |
| <input type="checkbox"/> | 065SH15 | 16.5" | NC |
| <input type="checkbox"/> | 065SH16 | 17" | NC |
| <input type="checkbox"/> | 065SH17 | 17.5" | NC |
| <input type="checkbox"/> | 065SH18 | 18" | NC |
| <input type="checkbox"/> | 065SH20 | 18.5" | NC |
| <input type="checkbox"/> | 065SH21 | 19" | NC |
| <input type="checkbox"/> | 065SH23 | 19.5" | NC |
| <input type="checkbox"/> | 065SH24 | 20" | NC |
| <input type="checkbox"/> | 065SH26 | 20.5" <i>(Only available on swing away)</i> | NC |

| Wheel | FRONT SEAT HEIGHT ORDERING GUIDE | | | | |
|-------|----------------------------------|------|------|---------|----------|
| | Caster | | | | |
| | 4" | 5" | 6" | 8" POLY | 8"x2"PNU |
| 20" | 15.0 | 15.0 | 16.0 | | 18.0 |
| | 15.5 | 16.0 | 16.5 | | |
| | 16.0 | 16.5 | 17.0 | | |
| | 16.5 | 17.0 | 17.5 | | |
| | 17.0 | 17.5 | 18.0 | | |
| | 17.5 | 18.0 | | | |
| 22" | 18.0 | | | | |
| | 16.0 | 16.0 | 16.0 | 18.5 | 19.0 |
| | 16.5 | 16.5 | 16.5 | 19.0 | |
| | 17.0 | 17.0 | 17.0 | | |
| | 17.5 | 17.5 | 17.5 | | |
| | 18.0 | 18.0 | 18.0 | | |
| 24" | 18.5 | 18.5 | 18.5 | | |
| | 19.0 | 19.0 | 19.0 | | |
| | 17.00 | 17.0 | 17.0 | 18.5 | 18.0 |
| | 17.50 | 17.5 | 17.5 | 19.0 | 19.0 |
| | 18.00 | 18.0 | 18.0 | 19.5 | 19.5 |
| | 18.50 | 18.5 | 18.5 | 20.0 | |
| 25" | 19.00 | 19.0 | 19.0 | | |
| | 19.50 | 19.5 | 19.5 | | |
| | | 20.0 | 20.0 | | |
| | 17.00 | 17.0 | 17.0 | 18.5 | 19.0 |
| | 17.50 | 17.5 | 17.5 | 19.0 | 19.5 |
| | 18.00 | 18.0 | 18.0 | 19.5 | |
| 26" | 18.50 | 18.5 | 18.5 | 20.0 | |
| | 19.00 | 19.0 | 19.0 | 19.5 | 20.5 |
| | 19.50 | 19.5 | 19.5 | 20.0 | |
| | | 20.0 | 20.0 | 20.5 | |
| | | | | | |
| | | | | | |

3. FRONT SEAT HEIGHT SET UP (CONT)

Caster Wheels

| | | | |
|--------------------------|---------|--|----------|
| <input type="checkbox"/> | 065CW3 | 4" Low Profile Polyurethane | NC |
| <input type="checkbox"/> | 065CW31 | 4" Micro Lighted | \$95.00 |
| <input type="checkbox"/> | 065CW72 | 4" x 1" Aluminum Polyurethane | \$63.00 |
| <input type="checkbox"/> | 065CW44 | 4" x 1.25" Semi Pneumatic | NC |
| <input type="checkbox"/> | 065CW64 | 4" x 1.5" Aluminum Soft Roll | \$95.00 |
| <input type="checkbox"/> | 065CW5 | 5" Low Profile Polyurethane | NC |
| <input type="checkbox"/> | 065CW51 | 5" Micro Lighted | \$95.00 |
| <input type="checkbox"/> | 065CW65 | 5" x 1" Aluminum Polyurethane | \$95.00 |
| <input type="checkbox"/> | 065CW7 | 5" x 1.5" Semi-Pneumatic | \$95.00 |
| <input type="checkbox"/> | 065CW54 | 5" Soft Roll (Grey) NA w/ Frog Legs | \$95.00 |
| <input type="checkbox"/> | 065CW66 | 5" x 1.5" Aluminum Soft Roll | \$95.00 |
| <input type="checkbox"/> | 065CW34 | 6" Polyurethane | NC |
| <input type="checkbox"/> | 065CW33 | 6" Pneumatic | \$95.00 |
| <input type="checkbox"/> | 065CW35 | 6" x 1.5" Semi Pneumatic | \$95.00 |
| <input type="checkbox"/> | 065CW68 | 6" x 1.5" Aluminum Soft Roll | \$95.00 |
| <input type="checkbox"/> | 065CW16 | 7" Polyurethane | NC |
| <input type="checkbox"/> | 065CW32 | 8" Polyurethane | NC |
| <input type="checkbox"/> | 065CW21 | 8" Pneumatic | \$126.00 |
| <input type="checkbox"/> | 065CW39 | 8" x 1.5" Semi Pneumatic | \$126.00 |
| <input type="checkbox"/> | 065CW36 | 8" x 2" Pneumatic | \$215.00 |
| <input type="checkbox"/> | 065CW37 | 8" x 2" Pneumatic w/Airless Insert | \$342.00 |
| <input type="checkbox"/> | 065CW38 | Omit Caster Wheel | NC |

Caster Forks

| | | | |
|--------------------------|---------|----------------------------|----|
| <input type="checkbox"/> | 065CF62 | 3" | NC |
| <input type="checkbox"/> | 065CF9 | 4 3/4" | NC |
| <input type="checkbox"/> | 065CF12 | 5 1/4" | NC |
| <input type="checkbox"/> | 065CF17 | 6" | NC |
| <input type="checkbox"/> | 065CF23 | 7" | NC |
| <input type="checkbox"/> | 065CF29 | 8" x 2" | NC |
| <input type="checkbox"/> | 065CF30 | Omit Caster Fork and Wheel | NC |

Fork Stems

Caster pin locks N/A w/ 8"x2" casters

| | | | |
|--------------------------|---------|---------------------------|----------|
| <input type="checkbox"/> | 065CS1 | Standard Stem | NC |
| <input type="checkbox"/> | 065CS5 | 3/4" Stem | NC |
| <input type="checkbox"/> | 065CS9 | 1 1/2" Stem | NC |
| <input type="checkbox"/> | 065CS7 | Standard Stem w/Pin Locks | \$132.00 |
| <input type="checkbox"/> | 065CS11 | 3/4" Stem w/Pin Locks | \$132.00 |
| <input type="checkbox"/> | 065CS4 | 1 1/2" Stem w/Pin Locks | \$242.00 |

4. HANGER & FOOTPLATE OPTIONS

Hangers

| | | | |
|--------------------------|---------|--|----------|
| <input type="checkbox"/> | 065H145 | 60° Swing In/Out Hanger | NC |
| <input type="checkbox"/> | 065H139 | 70° Swing In/Out Hanger | NC |
| <input type="checkbox"/> | 065H158 | 90° Swing In/Out Front Mount <i>Only available Ang adj adult & kids footplates</i> | NC |
| <input type="checkbox"/> | 065H159 | Articulating Hanger NA w/ Platform Flip Up and Alum Angle Adj Front Mount footplates. | \$457.00 |
| <input type="checkbox"/> | 065H160 | Elevating Hanger - Ext Mount NA w/ Platform Flip Up and Alum Angle Adj Front Mount footplates. | \$295.00 |
| <input type="checkbox"/> | 065H161 | Elevating Hanger - Front Mount <i>Only available w/ front mount alum angle adj footplates and 14"-22" width</i> | \$295.00 |
| <input type="checkbox"/> | 065H32 | Omit Hanger | -\$16.00 |

Extension Tube

| | | | |
|--------------------------|--------|--|---------|
| <input type="checkbox"/> | 065E1 | Short (See Matrix for Lengths) NA w/ 90° hangers and ELR | NC |
| <input type="checkbox"/> | 065E2 | Medium (See Matrix for Length) | NC |
| <input type="checkbox"/> | 065E5 | Long (See Matrix for Length) NA w/ 90o hangers and ELR | NC |
| <input type="checkbox"/> | 065E14 | Regular ELR | NC |
| <input type="checkbox"/> | 065E15 | Long ELR | NC |
| <input type="checkbox"/> | 065E16 | High Mount <i>Only available with angle adj footplates or 60° and 70° hangers</i> | \$84.00 |

Footplate & Hanger Options (Ext Tube & Direct Mount)

| | | | |
|--------------------------|--------|-----------------------|----|
| <input type="checkbox"/> | 065HL1 | Heel Loop | NC |
| <input type="checkbox"/> | 065HL5 | Leg Strap | NC |
| <input type="checkbox"/> | 065HL4 | Omit Heel Loop | NC |
| <input type="checkbox"/> | 065HL6 | Omit Leg Strap | NC |
| <input type="checkbox"/> | 065IG | Impact Guard Neoprene | NC |

Footplates

Heel loop or leg strap not included, See Footplate Options Section

| | | | |
|--------------------------|--------|---|----------|
| <input type="checkbox"/> | 065F1 | Composite (14"-20"w) Only available w/ 60°, 70°, and ALR | NC |
| <input type="checkbox"/> | 065F48 | Platform Flip Up <i>Available w/ 60°, 70°, or hemi hangers</i> | \$200.00 |
| <input type="checkbox"/> | 065F5 | Aluminum Footplate | NC |
| <input type="checkbox"/> | 065F3 | Aluminum Angle Adj Adult | \$152.00 |
| <input type="checkbox"/> | 065F4 | Aluminum Angle Adj Kids <i>NA w/ ELR. Only on 12:-16" wide</i> | NC |
| <input type="checkbox"/> | 065F7 | Omit Footplate & Ext Tube | -\$16.00 |

Seat Sling to Top of Footrest

| Hanger | Extension | Seat Sling to Top of Footrest in inches | | *Minimum Allowable FSH |
|--|-----------|--|------|------------------------------|
| | | Min | Max | |
| 60° Swing In/Out | Short | 11.5 | 15 | 15 |
| | Medium | 11.5 | 17 | 15 |
| | Long | 14 | 18.5 | 17 |
| 70° Swing In/Out | Short | 13 | 18 | 15 |
| | Medium | 13 | 20 | 15.5 |
| 60° Swing In/Out w/Platform Flip Up | Long | 16 | 20.5 | 17.5 |
| | Short | 11.5 | 14.5 | 14 |
| 70° Swing In/Out w/Platform Flip Up | Long | 14 | 18.5 | 16 |
| | Short | 13 | 15.5 | 15 |
| 90° Front Mount | Long | 15.5 | 20 | 17.5 |
| | No Ext | 5.5 | 11.5 | 14 |
| ALR | Short | 16.5 | 20 | 15 |
| | Medium | 17.5 | 20.5 | 16 |
| | Long | 19 | 20.5 | 17 |
| ELR Ext. Mount | Short | 15.5 | 19.5 | 15 |
| | Medium | 15.5 | 20.5 | 16 |
| | Long | 17 | 20.5 | 17 |
| ELR Front Mount | No Ext | 5.5 | 9.5 | 13 |

5. REAR SEAT HEIGHT SET UP

Axle

| | | | |
|--------------------------|---------|---------------------|----------|
| <input type="checkbox"/> | 065AX19 | Threaded | NC |
| <input type="checkbox"/> | 065AX3 | Quick Release Steel | NC |
| <input type="checkbox"/> | 065AX13 | Quad Quick Release | \$158.00 |

One Arm Drive

Only available w/ Mag Wheels. Select Standard Rim and either right or left mount

| | | | |
|--------------------------|---------|-------------------------------|------------|
| <input type="checkbox"/> | 065AL16 | One Arm Drive Adj. Axle Plate | \$1,203.00 |
| <input type="checkbox"/> | 065OA2 | Standard Handrim | NC |
| <input type="checkbox"/> | 065HM1 | Right Hand Mount | NC |
| <input type="checkbox"/> | 065HM2 | Left Hand Mount | NC |

Rear Wheel Type

Contact Built 4 Me for Spinergy Color Options

| | | | |
|--------------------------|---------|--|----------|
| <input type="checkbox"/> | 065RW3 | 20" Mag Wheel | NC |
| <input type="checkbox"/> | 065RW8 | 22" Mag Wheel | NC |
| <input type="checkbox"/> | 065RW1 | 24" Mag Wheel | NC |
| <input type="checkbox"/> | 065RW4 | 20" Spoke Wheel | \$278.00 |
| <input type="checkbox"/> | 065RW9 | 22" Spoke Wheel | \$278.00 |
| <input type="checkbox"/> | 065RW2 | 24" Spoke Wheel | NC |
| <input type="checkbox"/> | 065RW11 | 26" Spoke Wheel | \$79.00 |
| <input type="checkbox"/> | 065RW95 | 24" Spinergy SPOX Black | \$751.00 |
| <input type="checkbox"/> | 065RW96 | 25" Spinergy SPOX Black | \$751.00 |
| <input type="checkbox"/> | 065RW97 | 26" Spinergy SPOX Black | \$751.00 |
| <input type="checkbox"/> | 065RW98 | 24" Spinergy LX Black | \$966.00 |
| <input type="checkbox"/> | 065RW99 | 25" Spinergy LX Black | \$966.00 |
| <input type="checkbox"/> | 065RW50 | 24" Mountain | \$342.00 |
| <input type="checkbox"/> | 065RW25 | Omit Rear Wheel and Axle (Intended Size for Set Up _____) | -\$42.00 |

Rear Wheel Tire

| | | | |
|--------------------------|---------|--|----------|
| <input type="checkbox"/> | 065RT1 | Pneumatic | NC |
| <input type="checkbox"/> | 065RT2 | Pneumatic Airless Insert | \$215.00 |
| <input type="checkbox"/> | 065RT3 | Full Poly | NC |
| <input type="checkbox"/> | 065RT6 | High-Pressure Clincher | \$90.00 |
| <input type="checkbox"/> | 065RT21 | Schwalbe Marathon Plus Evolution | \$137.00 |
| <input type="checkbox"/> | 065RT38 | SHOX Performance Poly | \$126.00 |
| <input type="checkbox"/> | 065RT12 | Mountain Tire <i>Only available on 24" Mountain Rear Wheel</i> | NC |

| Tire | Wheel | Mag | Lite Spoke | Ultra Lightweight | Spinergy |
|----------------------------|-------|----------|-----------------|-------------------|----------|
| Pneumatic | | 20,22,24 | 20,22,24,25, 26 | | 24,25,26 |
| Pneumatic w/Airless Insert | | 20,22,24 | 20,22,24,25,26 | | 24,25,26 |
| Full Poly Tire | | 20,22,24 | 20,22,24 | | 24 |
| High Pressure Clincher | | | 22,24,25,26 | 22,24 | 24,25,26 |
| Schwalbe Marathon | | | 24,25,26 | 22,24 | 24,25,26 |
| SHOX Performance Poly | | 24 | 24,25 | | 24,25 |

22" = 489 mm 24" = 540 mm 25" = 559 mm 26" = 590 mm

Handrim

Natural Fits available in 22", 24", and 25".

| | | | |
|--------------------------|---------|---|----------|
| <input type="checkbox"/> | 065HR1 | Aluminum Anodized | NC |
| <input type="checkbox"/> | 065HR4 | Plastic Coated -NA on all rims | \$126.00 |
| <input type="checkbox"/> | 065HR22 | Natural Fit - Standard Grip | \$325.00 |
| <input type="checkbox"/> | 065HR23 | Natural Fit - Super Grip | \$378.00 |
| <input type="checkbox"/> | 065HR7 | Omit Hand Rims | -\$12.00 |
| <input type="checkbox"/> | 065HR8 | 8 Oblique <i>Only available w/ aluminum handrims. NA w/ Kik</i> | \$126.00 |

6. BACKREST

Back Type

Angle Adj std w/ push handles and NA w/ all flip back armrests

| | | | |
|--------------------------|---------|--------------------------------|----------|
| <input type="checkbox"/> | 065BU1 | Standard | NC |
| <input type="checkbox"/> | 065BT20 | Angle Adj 3-5" Pivot (regular) | \$310.00 |
| <input type="checkbox"/> | 065BT22 | Angle Adj 5-7" Pivot (tall) | \$310.00 |

Angle Adjustable Backrest Options

Angle Adjustable Pivot Height

| | | | | | | | |
|--------------------------|--------|----|----|--------------------------|--------|----|----|
| <input type="checkbox"/> | 065AH1 | 3" | NC | <input type="checkbox"/> | 065AH4 | 6" | NC |
| <input type="checkbox"/> | 065AH2 | 4" | NC | <input type="checkbox"/> | 065AH5 | 7" | NC |
| <input type="checkbox"/> | 065AH3 | 5" | NC | | | | |

Angle Adjustable Pre-Set Angle

| | | | |
|--------------------------|--------|------------------|----|
| <input type="checkbox"/> | 065BD5 | Back Angle - 15° | NC |
| <input type="checkbox"/> | 065BD4 | Back Angle - 12° | NC |
| <input type="checkbox"/> | 065BD3 | Back Angle - 6° | NC |
| <input type="checkbox"/> | 065BD2 | Back Angle - 0° | NC |
| <input type="checkbox"/> | 065BD1 | Back Angle +3° | NC |

Angle Adjustable Back Tube Height (See Chart)

| | | | |
|--------------------------|-------|--------|----|
| <input type="checkbox"/> | 065B1 | Low | NC |
| <input type="checkbox"/> | 065B5 | Medium | NC |
| <input type="checkbox"/> | 065B9 | Tall | NC |

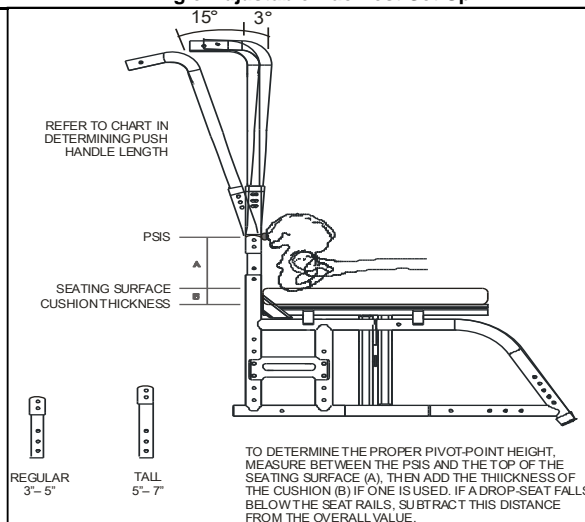
Angle Adjustable Back Height (Optional)

| | | | | | | | |
|--------------------------|---------|-----|----|--------------------------|---------|-----|----|
| <input type="checkbox"/> | 065UX10 | 12" | NC | <input type="checkbox"/> | 065UX20 | 17" | NC |
| <input type="checkbox"/> | 065UX12 | 13" | NC | <input type="checkbox"/> | 065UX22 | 18" | NC |
| <input type="checkbox"/> | 065UX14 | 14" | NC | <input type="checkbox"/> | 065UX24 | 19" | NC |
| <input type="checkbox"/> | 065UX16 | 15" | NC | <input type="checkbox"/> | 065UX26 | 20" | NC |
| <input type="checkbox"/> | 065UX18 | 16" | NC | <input type="checkbox"/> | 065UX28 | 21" | NC |

JAY Back (Optional)

| | | | |
|--------------------------|---------|-----------------------------|------------|
| <input type="checkbox"/> | 065JB01 | J3 Back (See J3 Order Form) | Price List |
|--------------------------|---------|-----------------------------|------------|

Angle Adjustable Backrest Set Up



Angle Adjustable Backrest Chart

| Back Tube Height | Low | Medium | Tall |
|-------------------------|-------------|-------------|-------------|
| Pivot regular set at 3" | 12" 13" 14" | 15" 16" 17" | 17" 18" 19" |
| Pivot regular set at 4" | 13" 14" 15" | 16" 17" 18" | 18" 19" 20" |
| Pivot regular set at 5" | 14" 15" 16" | 17" 18" 19" | 19" 20" 21" |
| Pivot tall set at 5" | 14" 15" 16" | 17" 18" 19" | 19" 20" 21" |
| Pivot tall set at 6" | 15" 16" 17" | 18" 19" 20" | N/A |
| Pivot tall set at 7" | 16" 17" 18" | 19" 20" 21" | N/A |

Adjustable pivot point present measurements from seat sling. If back height option is not chosen, middle option will be present.

6. BACKREST (CONT)

Backrest Upholstery

| | | | |
|--------------------------|---------|-------------------------------|----------|
| <input type="checkbox"/> | 065BU1 | Standard Upholstery | NC |
| <input type="checkbox"/> | 065BU60 | Tension Adjustable Upholstery | \$178.00 |
| <input type="checkbox"/> | 065BU14 | Omit Back Upholstery | -\$19.00 |

Backrest Options

| | | | |
|--------------------------|---------|--|----------|
| <input type="checkbox"/> | 065BU16 | Reinforced Back <i>Only available w/ Std Upholstery</i> | \$47.00 |
| <input type="checkbox"/> | 065SZ1 | Stabilizer Bar | \$147.00 |

Push Handles

| | | | |
|--------------------------|--------|-----------------------|----|
| <input type="checkbox"/> | 065BP1 | Push Handles Straight | NC |
| <input type="checkbox"/> | 065BP3 | Push Handles 8° (Std) | NC |

Back Height

| | | | |
|--------------------------|--------|---------|---------|
| <input type="checkbox"/> | 065B92 | 16"-19" | NC |
| <input type="checkbox"/> | 065B86 | 14"-17" | \$79.00 |

7. ARMREST

Armrest

| | | | |
|--------------------------|---------|----------------------------------|----------|
| <input type="checkbox"/> | 065AA16 | Padded Swing-Away Adult | \$273.00 |
| <input type="checkbox"/> | 065AA17 | Padded Swing-Away Kids | \$273.00 |
| <input type="checkbox"/> | 065AA5 | Flip-Back | NC |
| <input type="checkbox"/> | 065AA8 | Single Post Ht. Adjustable Adult | \$295.00 |
| <input type="checkbox"/> | 065AA9 | Single Post Ht. Adjustable Kids | \$295.00 |
| <input type="checkbox"/> | 065AA6 | Flip-Back Height Adjustable | \$331.00 |
| <input type="checkbox"/> | 065AA14 | Omit Armrest | NC |

Armpad

NA w/ padded swing away armrests

| | | | |
|--------------------------|--------|---------------------|----|
| <input type="checkbox"/> | 065AM1 | Desk Length - (10") | NC |
| <input type="checkbox"/> | 065AM2 | Full Length - (14") | NC |

8. KEY OPTIONS & ACCESSORIES

Anti-Tip

| | | | |
|--------------------------|--------|---------------|----------|
| <input type="checkbox"/> | 065AT4 | Rear Anti-Tip | \$105.00 |
|--------------------------|--------|---------------|----------|

Wheel Lock

Additional no gos may exist depending on wheel size, seat depth and axle position

| | | | |
|--------------------------|---------|-----------------|----------|
| <input type="checkbox"/> | 065WL1 | High Mount Push | NC |
| <input type="checkbox"/> | 065WL2 | High Mount Pull | NC |
| <input type="checkbox"/> | 065WL30 | Compact | \$142.00 |
| <input type="checkbox"/> | 065WL10 | Omit | NC |
| <input type="checkbox"/> | 065WL12 | Do Not Mount | NC |

Grade Aid

| | | | |
|--------------------------|--------|---|----------|
| <input type="checkbox"/> | 065GA1 | Grade Aid <i>NA w/ poly, high-pressure clincher tires</i> | \$137.00 |
|--------------------------|--------|---|----------|

Extension Handle

| | | | |
|--------------------------|--------|---------|---------|
| <input type="checkbox"/> | 065EH1 | 6" Pair | \$63.00 |
|--------------------------|--------|---------|---------|

JAY Cushions (Optional)

To order any JAY cushions on-chair, please see the JAY price list.

Cushion name or part number must be filled out with desired width and depth

| | | |
|--------------------------|---------|---|
| <input type="checkbox"/> | 065JC20 | JAY Bundled Cushion Cushion Name or Part # _____ Price List Width: _____ Depth: _____ |
|--------------------------|---------|---|

Cushion Options

| | | | |
|--------------------------|--------|-----------------|----------|
| <input type="checkbox"/> | 065CU1 | 2" Cushion | \$163.00 |
| <input type="checkbox"/> | 065CU4 | Omit Seat Sling | -\$19.00 |

Positioning Belts

| | | | |
|--------------------------|---------|-----------------------------|----------|
| <input type="checkbox"/> | 065A142 | Belt 1.5" Auto Buckle | \$84.00 |
| <input type="checkbox"/> | 065A12 | Belt 2" Aircraft Buckle | \$121.00 |
| <input type="checkbox"/> | 065A13 | Belt 2" Aircraft Buckle Pad | \$178.00 |

Accessories

| | | | |
|--------------------------|---------|-----------------------------------|----------|
| <input type="checkbox"/> | 065A1 | Quickie Backpack Black | \$97.00 |
| <input type="checkbox"/> | 065A2 | Quickie Kids Backpack Black | \$90.00 |
| <input type="checkbox"/> | 065A8 | Quickie Seat Pouch Black | \$73.00 |
| <input type="checkbox"/> | 065A29 | Tray Table | \$331.00 |
| <input type="checkbox"/> | 065A23 | Black Spoke Guards | \$137.00 |
| <input type="checkbox"/> | 065A24 | Quickie Clear Spoke Guards | \$137.00 |
| <input type="checkbox"/> | 065A54 | Extra Leg Strap Black | \$53.00 |
| <input type="checkbox"/> | 065SG4 | Side Guard Plastic Kids | \$163.00 |
| <input type="checkbox"/> | 065SG3 | Side Guard Plastic Regular | \$163.00 |
| <input type="checkbox"/> | 065A82 | Caddy | \$79.00 |
| <input type="checkbox"/> | 065A49 | Crutch Holder | \$100.00 |
| <input type="checkbox"/> | 065A83 | Tool Kit | \$37.00 |
| <input type="checkbox"/> | 065A500 | Velcro Gel Cover for Hanger/Frame | \$142.00 |

8. KEY OPTIONS & ACCESSORIES (CONT)

Standard Frame Colors

| | | | |
|--------------------------|---------|--|----|
| <input type="checkbox"/> | 065C140 | Aztec Gold | NC |
| <input type="checkbox"/> | 065C2 | Black <i>(Not avail as base w/Zebra)</i> | NC |
| <input type="checkbox"/> | 065C141 | Black Cherry | NC |
| <input type="checkbox"/> | 065C10 | Black Opal | NC |
| <input type="checkbox"/> | 065C38 | Blue Opal | NC |
| <input type="checkbox"/> | 065C36 | Candy Blue | NC |
| <input type="checkbox"/> | 065C14 | Candy Purple | NC |
| <input type="checkbox"/> | 065C35 | Candy Red | NC |
| <input type="checkbox"/> | 065C142 | Electric Blue | NC |
| <input type="checkbox"/> | 065C143 | Evergreen | NC |
| <input type="checkbox"/> | 065C126 | Glow | NC |
| <input type="checkbox"/> | 065C144 | Green Apple | NC |
| <input type="checkbox"/> | 065C147 | Hot Sparkle Pink | NC |
| <input type="checkbox"/> | 065C148 | Mauve Pink | NC |
| <input type="checkbox"/> | 065C103 | Rootbeer | NC |
| <input type="checkbox"/> | 065C114 | Sparkle Silver | NC |
| <input type="checkbox"/> | 065C145 | Sunrise Orange | NC |
| <input type="checkbox"/> | 065C113 | Titanium Color Paint | NC |
| <input type="checkbox"/> | 065C8 | Yellow | NC |

Matte Frame Colors

| | | | |
|--------------------------|---------|---------------------|----|
| <input type="checkbox"/> | 065C116 | Matte Black | NC |
| <input type="checkbox"/> | 065C151 | Matte Black Cherry | NC |
| <input type="checkbox"/> | 065C150 | Matte Electric Blue | NC |
| <input type="checkbox"/> | 065C149 | Matte Evergreen | NC |
| <input type="checkbox"/> | 065C152 | Matte Purple | NC |

Custom Frame Color

| | | | |
|--------------------------|---------|---|----------|
| <input type="checkbox"/> | 065C112 | Desert Camouflage | \$320.00 |
| <input type="checkbox"/> | 065C43 | Mossy Oak Camouflage | \$320.00 |
| <input type="checkbox"/> | 065C42 | Stars & Stripes | \$320.00 |
| <input type="checkbox"/> | 065C108 | Zebra <i>(Choose above base color) Std with White unless above base paint is chosen NA w/ Black</i> | \$320.00 |

Built for Me

To inquire about any unique customization for Quickie products, contact: Phone: (800) 333 - 4000, Fax: (800) 333 9011



9. BUNDLING



*Save time! Wheelchair and seating will be delivered together.
Hardware pre-installed.*

Cushions

| | | | |
|--------------------------|--------------|--------|--|
| <input type="checkbox"/> | Jay Cushion: | | |
| Width: | | Depth: | |
| Notes: | | | |

Backs

| | | | |
|--------------------------|-----------|---------|--|
| <input type="checkbox"/> | Jay Back: | | |
| Width: | | Height: | |
| Notes: | | | |

Headrest

| | | |
|--------------------------|---------|--|
| <input type="checkbox"/> | System: | |
| Pads: | | |
| Notes: | | |
| Hardware: | | |
| Notes: | | |

Jay Positioning Components

| | | |
|--------------------------|--------------------------|--|
| <input type="checkbox"/> | Anterior Trunk Supports: | |
| Size: | | |
| Hand and Arm Supports: | | |
| Size: | | |
| Pelvic Positioning: | | |
| Size: | | |
| Foot Positioning: | | |
| Size: | | |
| Notes: | | |

