

January 01, 2015

JAY FIT SYSTEM ORDER FORM/PRICE LIST

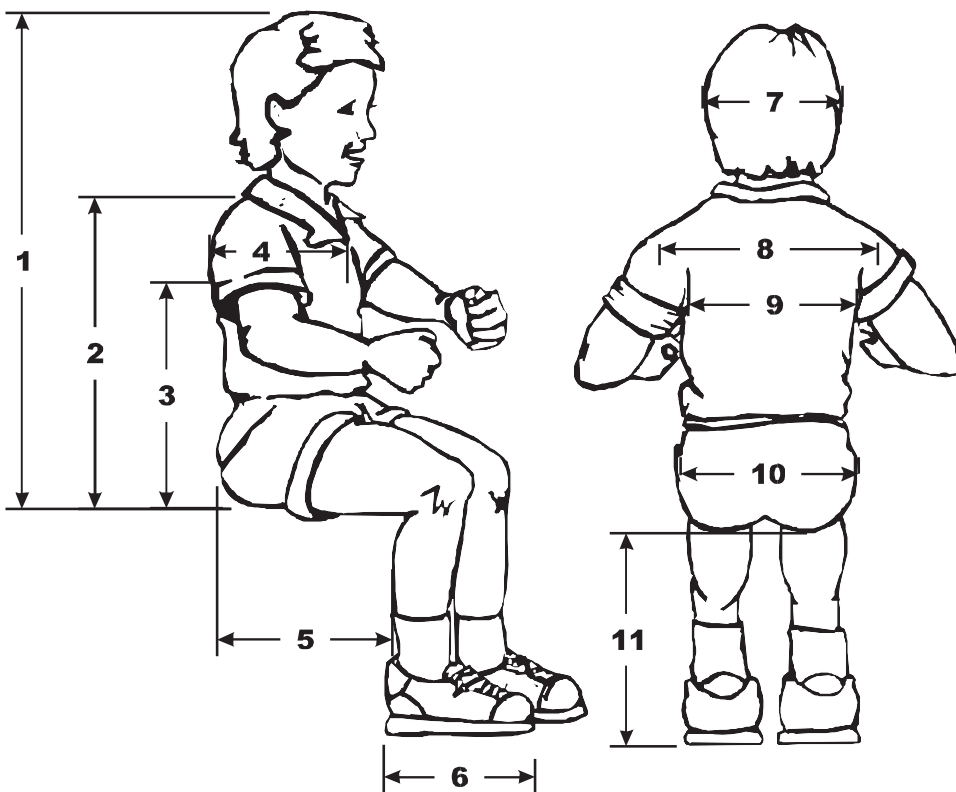
Account Information: Account No.: _____ **Drop Ship/Ship To:**
 Date: _____ Name: _____
 P.O. #: _____ Address: _____
 Buyer: _____
 Marked For: _____ Phone:(_____) _____

Wheelchair Specifications

Manufacturer: _____
 Model: _____
 Frame Width: _____
 Seat Depth: _____
 Back Height/Style: _____

Custom Embroidery (12 letter limit, not available with Air Exchange)
 Custom Embroidery N/C
 Name: _____
 Color: _____

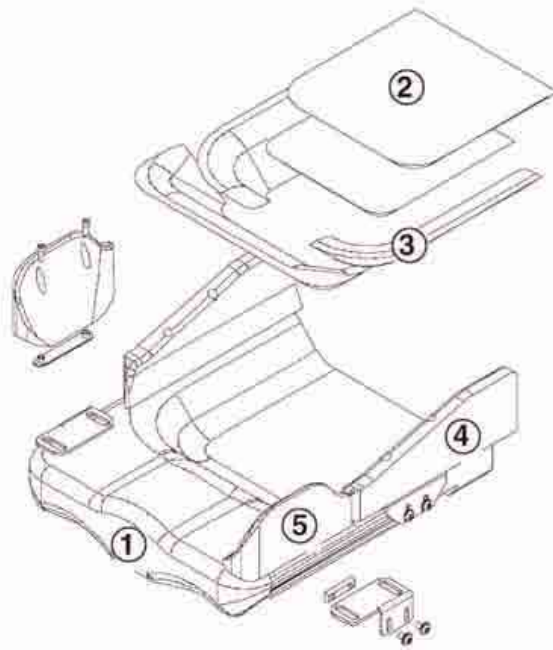
WITH TRANSIT OPTION CHAIR (Please attach order form)



CLIENT INFORMATION

Age: _____
 Diagnosis: _____
 Height: _____
 Weight:¹¹ _____

- | | |
|---|-------------------------------------|
| _____ (1) Top of head to seat | _____ (7) Width of head |
| L ____ / ____ R (2) Top of shoulder to seat | _____ (8) Shoulder width |
| L ____ / ____ R (3) Under arm pit to seat | _____ (9) Arm pit to arm pit |
| _____ (4) Trunk depth | _____ (10) Hip width |
| L ____ / ____ R (5) Seat depth | L ____ / ____ R (11) Lower leg drop |
| L ____ / ____ R (6) Foot length | |



ADJUSTABLE CONTOUR SEAT ATTACHING HARDWARE KITS

- Height Adjustable Quick Mount⁹ * \$337 kit
 - 10" J-468240
 - 12" J-468242
 - 14" J-468244
 - 16" J-468246
 - 18" J-468248
- Standard Quick Mount⁹ * \$225 kit
 - 10" J-468220
 - 12" J-468222
 - 14" J-468224
 - 16" J-468226
 - 18" J-468228
- Snaptime³ \$253 kit
 - 7/8" Without Collars J-468200
 - 1" Without Collars J-468201
 - 3/4" With Collars J-474305
 - 7/8" With Collars J-474304

TriCell™ (For rectangular or square tubing) \$148 kit J-468261

*Transit Option Approved

Outer Cover (Not Included)

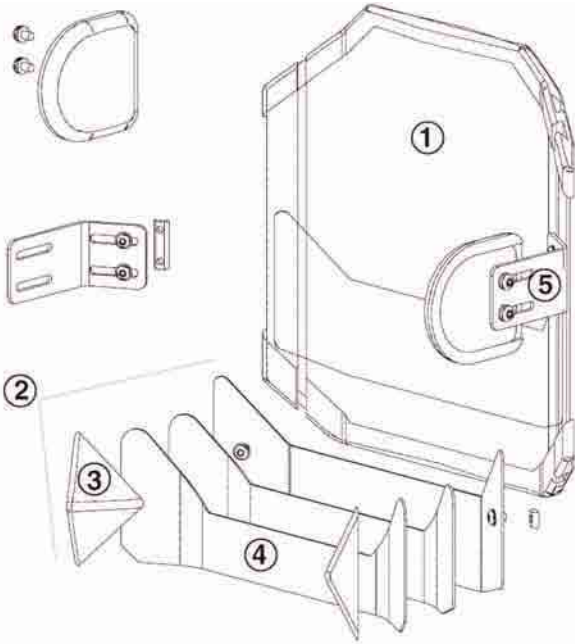
Incontinent Color _____ \$ 57 ea

Air Exchange (Black Only) \$ 57 ea

- | <u>Small</u> | <u>Large</u> For use w/pelvic & thigh supports |
|---|--|
| <input type="checkbox"/> 10" x 12" J-465200 | <input type="checkbox"/> 10" x 12" J-465300 |
| <input type="checkbox"/> 10" x 14" J-465201 | <input type="checkbox"/> 10" x 14" J-465301 |
| <input type="checkbox"/> 12" x 12" J-465202 | <input type="checkbox"/> 12" x 12" J-465302 |
| <input type="checkbox"/> 12" x 14" J-465203 | <input type="checkbox"/> 12" x 14" J-465303 |
| <input type="checkbox"/> 12" x 16" J-465204 | <input type="checkbox"/> 12" x 16" J-465304 |
| <input type="checkbox"/> 14" x 14" J-465205 | <input type="checkbox"/> 14" x 14" J-465305 |
| <input type="checkbox"/> 14" x 16" J-465206 | <input type="checkbox"/> 14" x 16" J-465306 |
| <input type="checkbox"/> 14" x 18" J-465207 | <input type="checkbox"/> 14" x 18" J-465307 |
| <input type="checkbox"/> 16" x 16" J-465208 | <input type="checkbox"/> 16" x 16" J-465308 |
| <input type="checkbox"/> 16" x 18" J-465209 | <input type="checkbox"/> 16" x 18" J-465309 |
| <input type="checkbox"/> 16" x 20" J-465210 | <input type="checkbox"/> 16" x 20" J-465310 |
| <input type="checkbox"/> 18" x 16" J-465211 | <input type="checkbox"/> 18" x 16" J-465311 |
| <input type="checkbox"/> 18" x 18" J-465212 | <input type="checkbox"/> 18" x 18" J-465312 |
| <input type="checkbox"/> 18" x 20" J-465213 | <input type="checkbox"/> 18" x 20" J-465313 |

- | <u>Small</u> | <u>Large</u> For use w/pelvic & thigh supports |
|---|--|
| <input type="checkbox"/> 10" x 12" J-465400 | <input type="checkbox"/> 10" x 12" J-465500 |
| <input type="checkbox"/> 10" x 14" J-465401 | <input type="checkbox"/> 10" x 14" J-465501 |
| <input type="checkbox"/> 12" x 12" J-465402 | <input type="checkbox"/> 12" x 12" J-465502 |
| <input type="checkbox"/> 12" x 14" J-465403 | <input type="checkbox"/> 12" x 14" J-465503 |
| <input type="checkbox"/> 12" x 16" J-465404 | <input type="checkbox"/> 12" x 16" J-465504 |
| <input type="checkbox"/> 14" x 14" J-465405 | <input type="checkbox"/> 14" x 14" J-465505 |
| <input type="checkbox"/> 14" x 16" J-465406 | <input type="checkbox"/> 14" x 16" J-465506 |
| <input type="checkbox"/> 14" x 18" J-465407 | <input type="checkbox"/> 14" x 18" J-465507 |
| <input type="checkbox"/> 16" x 16" J-465408 | <input type="checkbox"/> 16" x 16" J-465508 |
| <input type="checkbox"/> 16" x 18" J-465409 | <input type="checkbox"/> 16" x 18" J-465509 |
| <input type="checkbox"/> 16" x 20" J-465410 | <input type="checkbox"/> 16" x 20" J-465510 |
| <input type="checkbox"/> 18" x 16" J-465411 | <input type="checkbox"/> 18" x 16" J-465511 |
| <input type="checkbox"/> 18" x 18" J-465412 | <input type="checkbox"/> 18" x 18" J-465512 |
| <input type="checkbox"/> 18" x 20" J-465413 | <input type="checkbox"/> 18" x 20" J-465513 |

ADJUSTABLE CONTOUR BACK (includes foam insert)



① Back (width 1" narrower than frame)

- 10" Frame Width \$ 450 ea
Height
 10" J-471010
 12" J-471012
 14" J-471014
- 12" Frame Width \$ 450 ea
Height
 12" J-471212
 14" J-471214
 16" J-471216
 18" J-471218
- 14" Frame Width \$ 510 ea
Height
 12" J-471412
 14" J-471414
 16" J-471416
 18" J-471418
 20" J-471420
- 16" Frame Width \$ 510 ea
Height
 14" J-471614
 16" J-471616
 18" J-471618
 20" J-471620
 22" J-471622
- 18" Frame Width \$ 569 ea
Height
 14" J-471814
 16" J-471816
 18" J-471818
 20" J-471820
 22" J-471822

Cover Style

- Incontinent Color _____ \$ 57 ea
 J-475201 to J-475238
- Air Exchange (Black only) \$ 57 ea
 J-475401 to J-475438

Accessories

- Shoulder Harness Guides Kit \$ 35 ea J-476200
- Universal Headrest Kit \$ 57 ea J-476300

ADJUSTABLE CONTOUR BACK ATTACHING HARDWARE KITS

Adj.Quick Mount* \$281 kit

- 3/4" Upper Back Diameter J-474200
- 7/8" Upper Back Diameter J-474201
- 1" Upper Back Diameter J-474302

18" Wide Only

- 3/4" Upper Back Diameter J-475300
- 7/8" Upper Back Diameter J-475301
- 1" Upper Back Diameter J-475302

SnapTite⁹ \$251 kit

With Collars

- 3/4" J-474305
- 7/8" J-474304
- 1" J-474303
- 1" Bottom 7/8" Top J-474306
- 1" Bottom 3/4" Top J-474307

Without Collars

- 7/8" J-468200
- 1" J-468201

TriCell™ (For rectangular or square tubing) \$148 kit J-468261

*Transit Option Approved

Upper Back Tube Diameter _____ "
 Lower Back Tube Diameter _____ "

② LATERAL/POSTERIOR PELVIC SUPPORT KIT

- Kit (includes one narrow, one wide \$ 112 ea
 Posterior Contour Strip & one pair Lateral Pyramids)

③ Lateral Pyramids

- | | |
|---------------------------------------|---------------------------------------|
| <u>Small</u> | <u>Large</u> |
| <input type="checkbox"/> 10" J-476410 | <input type="checkbox"/> 10" J-476400 |
| <input type="checkbox"/> 12" J-476412 | <input type="checkbox"/> 12" J-476402 |
| <input type="checkbox"/> 14" J-476414 | <input type="checkbox"/> 14" J-476404 |
| <input type="checkbox"/> 16" J-476416 | <input type="checkbox"/> 16" J-476406 |
| <input type="checkbox"/> 18" J-476418 | <input type="checkbox"/> 18" J-476408 |

④ Additional Posterior Contour Strip \$ 22 ea

- | | | |
|------------|---------------------------------------|---------------------------------------|
| Qty. _____ | Narrow (1 3/4") _____ | Wide (2 1/4") _____ |
| | <input type="checkbox"/> 10" J-476010 | <input type="checkbox"/> 10" J-476011 |
| | <input type="checkbox"/> 12" J-476012 | <input type="checkbox"/> 12" J-476013 |
| | <input type="checkbox"/> 14" J-476014 | <input type="checkbox"/> 14" J-476015 |
| | <input type="checkbox"/> 16" J-476016 | <input type="checkbox"/> 16" J-476017 |
| | <input type="checkbox"/> 18" J-476018 | <input type="checkbox"/> 18" J-476019 |

⑤ LATERAL THORACIC SUPPORTS KIT

- | | |
|---|---|
| Fixed Brackets \$67 pr | Swing-Away Brackets \$199 ea |
| <input type="checkbox"/> Straight-1" Inset J-476122 | <input type="checkbox"/> Straight-1" Inset J-477000 |
| <input type="checkbox"/> 1"-2" Inset J-476123 | <input type="checkbox"/> 1"-2" Inset J-477001 |

- | | |
|---|---|
| Pads \$136 pr | Pads \$136 ea |
| <input type="checkbox"/> 4" x 4" J-476235 | <input type="checkbox"/> 4" x 4" J-476235SA |
| <input type="checkbox"/> 5" x 5" J-476234 | <input type="checkbox"/> 5" x 5" J-476234SA |
| <input type="checkbox"/> 6" x 6" J-476233 | <input type="checkbox"/> 6" x 6" J-476233SA |

Width Between Laterals _____ "

HEAD SUPPORTS Choose Style, Pad Size, Pad Cover, Hardware and Vertical Adjustment.

Style		Pad Covers	
<input type="checkbox"/> Single Pad	\$81	<input type="checkbox"/> Rubatex	
<input type="checkbox"/> Small J-452156-QU		Mounting Hardware	
<input type="checkbox"/> Large J-452157-QU		<input type="checkbox"/> Slide in	\$112
<input type="checkbox"/> Three Pad	\$281	<input type="checkbox"/> Short J-476570	
<input type="checkbox"/> Small J-452158		<input type="checkbox"/> Long J-476571	
<input type="checkbox"/> Large J-452159		<input type="checkbox"/> Flip Back	\$214
<input type="checkbox"/> Small Junior J-452160		Vertical Adjustment	
<input type="checkbox"/> Large Junior J-452161		<input type="checkbox"/> X-Short J-476572	
<input type="checkbox"/> Three Pad Rotational	\$472	<input type="checkbox"/> Short J-476573	
<input type="checkbox"/> Small J-452162		<input type="checkbox"/> Long J-476574	
<input type="checkbox"/> Large J-452163			
<input type="checkbox"/> Small Junior J-452164			
<input type="checkbox"/> Large Junior J-452165			

ANTERIOR TRUNK SUPPORTS

Shoulder Harness	\$112 ea	Chest Strap	\$40 ea
<input type="checkbox"/> Small J-476500		<input type="checkbox"/> 34" J-476510	
<input type="checkbox"/> Medium J-476501		<input type="checkbox"/> 40" J-476513	
<input type="checkbox"/> Large J-476502			

LATERAL THORACIC SUPPORTS (external mounting)

Hardware Style		<input type="checkbox"/> Flat	Miscellaneous	
<input type="checkbox"/> Fixed	\$91	<input type="checkbox"/> 3" H x 4" L J-450820	<input type="checkbox"/> Brackets Spacers J-451400-QU	\$4 ea
<input type="checkbox"/> Straight J-477060		<input type="checkbox"/> 3" H x 5" L J-450821	Qty _____	
<input type="checkbox"/> 1" Inset J-477052		<input type="checkbox"/> 3" H x 6" L J-450822		
<input type="checkbox"/> 2" Inset J-477056		<input type="checkbox"/> 4" H x 4" L J-450823	<input type="checkbox"/> Custom Pad Size (Please Specify)	\$91 ea
<input type="checkbox"/> Swing-away ^{4,8}	\$190 ea	<input type="checkbox"/> 4" H x 5" L J-450824	Height: _____" Length: _____"	
<input type="checkbox"/> Straight J-477010		<input type="checkbox"/> 4" H x 6" L J-450825	<input type="checkbox"/> Flat J-450276-QUS	
<input type="checkbox"/> 2" Inset J-477002		<input type="checkbox"/> Curved	<input type="checkbox"/> Curved J-450256-QUS	
<input type="checkbox"/> 1" Inset J-477006		<input type="checkbox"/> 3" H x 4" L J-450850		
Pad Style		<input type="checkbox"/> 3" H x 5" L J-450851		
Pad Size (order 2)	\$57 ea	<input type="checkbox"/> 3" H x 6" L J-450852		
		<input type="checkbox"/> 4" H x 4" L J-450853		
		<input type="checkbox"/> 4" H x 5" L J-450854		
		<input type="checkbox"/> 4" H x 6" L J-450855		

ANTERIOR PELVIC SUPPORTS (Hip Belt)

Side-Squeezed Buckle		Dual Adj. Side -Squeeze Buckle		Aircraft Lift-Latch Buckle	
<input type="checkbox"/> 1" Strap Width-Nonpadded	\$35 ea	<input type="checkbox"/> 1" Strap Width-Padded	\$72 ea	<input type="checkbox"/> 2" Strap Width	\$96 ea
J-476515		J-476520		J-476518	
<input type="checkbox"/> 1 1/2" Strap Width - Nonpadded	\$40 ea	<input type="checkbox"/> 1 1/2" Strap Width - Padded	\$85 ea	<input type="checkbox"/> 2" Strap Width With Quad Loop	\$107 ea
J-476516		J-476521		J-476519	
<input type="checkbox"/> 2" Strap Width - Nonpadded	\$45 ea	<input type="checkbox"/> 2" Strap Width - Padded	\$96 ea	<input type="checkbox"/> 2" Strap Width - Padded	\$129 ea
J-476517		J-476522		J-476523	

MEDIAL KNEE/THIGH SUPPORTS (Abductors)

<input type="checkbox"/> Flip-down Bracket w/Adj. Plates	\$281	<input type="checkbox"/> Abductor Cover	\$54	<input type="checkbox"/> Medial Knee/Thigh Support Pads	\$119 pr
<input type="checkbox"/> Small J-463230		<input type="checkbox"/> 3" x 4" J-451200-QU		<input type="checkbox"/> 3" H x 4" L J-450800	
<input type="checkbox"/> Large J-463229		<input type="checkbox"/> 3" x 6" J-451201-QU		<input type="checkbox"/> 3" H x 6" L J-450801	
		<input type="checkbox"/> 4" x 6" J-451202-QU		<input type="checkbox"/> 4" H x 6" L J-450802	
		<input type="checkbox"/> 4" x 8" J-451203-QU		<input type="checkbox"/> 4" H x 8" L J-450803	

FOOTPOSITIONER - SHOEHOLDERS – \$248 pair

	<u>Toe Width</u>	<u>Heel Width</u>	<u>Length</u>		<u>Toe Width</u>	<u>Heel Width</u>	<u>Length</u>
<input type="checkbox"/> Small	2.5"	2.5"	5.5"	<input type="checkbox"/> Large	4.5"	3.5"	10.25"
J-450490-QU				J-450492			
<input type="checkbox"/> Medium	3.75"	3.5"	8"	<input type="checkbox"/> Extra Large	5.75"	3.75"	11"
J-450491-QU				J-450493			

Specifications Subject to Change Without Notice.

Fit System Footnotes:

- Notes: When ordering an insert with your Quickie 2 wheelchair, you must order medium or high push handles. Low push handles are not available.
- Flush mount hardware will not work if insert is 2" narrower than frame.
 - Flush mount hardware is not available on rigid frame wheelchairs.
 - Snaptite hardware may interfere with wheel locks on all Zippie 2 wheelchairs with kids frame length and regular frame length with 24" rear wheels.
 - Trunk pads may interfere with flip-up armrests.
 - Hip pads may interfere with height-adjustable armrests.
 - Total depth must be at least 13" if using a Zippie P500 and Snaptite hardware.
 - When ordering with a Zippie or Quickie TS, the frame will accept two or more inches of depth than indicated. E.g. a 12" deep Zippie will accept a 14" deep Fit System Custom insert.
 - Not available with a foam thickness of over 1".
 - Not available in 3/4" diameter.
 - Not available with adjustable contour seat or back.
 - Weight limit: 150 lb. Adjustable Contour System, 250 lb. Custom System.
 - Number of anterior well reducers will vary based on seat depth ordered.