



# JAY® J3 Carbon Fiber Posterior (PA) Backrest



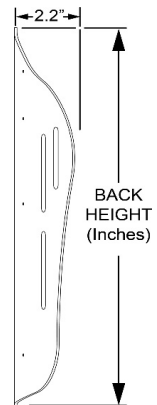
July 2018

<b>Mark For:</b> _____ Date: _____ Dealer Acct #: _____ Dealer: _____ Dealer Contact: _____ Dealer Address: _____ Dealer City: _____ PV: _____ PC: _____ Dealer Phone: ( ) _____ Fax: ( ) _____ Confirmation Email: _____ Confirm Via: <input type="checkbox"/> Fax <input type="checkbox"/> Email	<b>Submitting for:</b> <input type="checkbox"/> Quote <input type="checkbox"/> Order PO#: _____  <b>ADDITIONAL SHIPPING INFORMATION</b> Ship To: _____ Attention: _____ Address: _____ Address: _____ Ship To City: _____ PV: _____ PC: _____ Ship To Phone: ( ) _____ Fax: ( ) _____
---	--

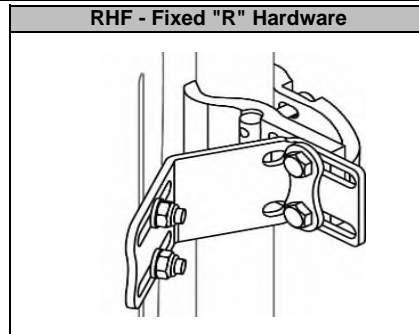
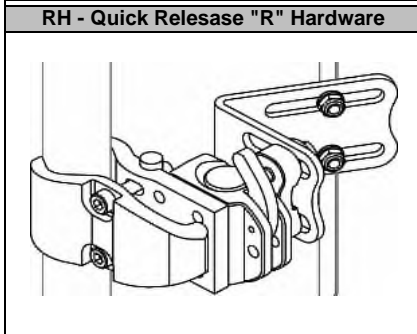
**JAY J3 Carbon Fiber Posterior (PA) Backrest**



<b>BACKREST WIDTH</b>	<b>14"</b>	<b>16"</b>	<b>18"</b>	<b>20"</b>
<b>BACKCANE WIDTHS</b>	14"- 16"	16"- 18"	18"- 20"	20"- 22"
<b>MAX. USER TRUNK WIDTH</b>	13"	15"	17"	19"



<b>Back Height</b>	<b>Lower Thoracic (LT)</b>										
		<b>6.5" (S)</b>	J3CFPALTSxxRH	<input type="checkbox"/> 14	\$1,202	<input type="checkbox"/> 16	\$1,311	<input type="checkbox"/> 18	\$1,420		
		<b>8.0" (M)</b>	J3CFPALTSxxRHF	<input type="checkbox"/> 14	\$1,202	<input type="checkbox"/> 16	\$1,311	<input type="checkbox"/> 18	\$1,420		
		<b>9.5" (T)</b>	J3CFPALTxxRH	<input type="checkbox"/> 14	\$1,202	<input type="checkbox"/> 16	\$1,311	<input type="checkbox"/> 18	\$1,420	<input type="checkbox"/> 20	\$1,530
			J3CFPALTxxRHF	<input type="checkbox"/> 14	\$1,202	<input type="checkbox"/> 16	\$1,311	<input type="checkbox"/> 18	\$1,420	<input type="checkbox"/> 20	\$1,530
	<b>Mid Thoracic (MT)</b>										
	<b>12.0" (S)</b>	J3CFPAMTSxxRH	<input type="checkbox"/> 14	\$1,258	<input type="checkbox"/> 16	\$1,367	<input type="checkbox"/> 18	\$1,476	<input type="checkbox"/> 20	\$1,585	
		J3CFPAMTSxxRHF	<input type="checkbox"/> 14	\$1,258	<input type="checkbox"/> 16	\$1,367	<input type="checkbox"/> 18	\$1,476	<input type="checkbox"/> 20	\$1,585	
	<b>13.5" (M)</b>										
	<b>15.0" (T)</b>	J3CFPAMTTxxRH	<input type="checkbox"/> 14	\$1,258	<input type="checkbox"/> 16	\$1,367	<input type="checkbox"/> 18	\$1,476	<input type="checkbox"/> 20	\$1,585	
	J3CFPAMTTxxRHF	<input type="checkbox"/> 14	\$1,258	<input type="checkbox"/> 16	\$1,367	<input type="checkbox"/> 18	\$1,476	<input type="checkbox"/> 20	\$1,585		



**JAY YOUR WAY MODIFICATIONS**

*Note: To order sizes offered via JAY Your Way add an "M" to the front of the part number and follow the prompts.  
For additional modifications visit [www.sunrisemedical.ca](http://www.sunrisemedical.ca) to view even more!*

<b>MILITARY SERVICE PATCHES</b>			
<input type="checkbox"/>	VAPH	Purple Heart Service Patch	NC
<input type="checkbox"/>	VAM	Marine Service Patch	NC
<input type="checkbox"/>	VAA	Army Service Patch	NC
<input type="checkbox"/>	VAAF	Air Force Service Patch	NC
<input type="checkbox"/>	VAN	Navy Service Patch	NC
<input type="checkbox"/>	VACG	Coast Guard Service Patch	NC
<b>COVER COLOR OPTIONS - Rear Center Flap</b>			
<input type="checkbox"/>	DCC	Digital Camouflage Cover	NC

<b>SPINAL FLUID PAD</b>			
<input type="checkbox"/>	SFP	Spinal Fluid Pad	\$191.00
<b>VISCO FOAM INSERT</b>			
<input type="checkbox"/>	VF	Visco Foam Insert	\$57.00
<input type="checkbox"/>	VFWSR	Visco Foam Insert with Spinal Relief	\$57.00

**Don't see the option you want? NO PROBLEM! Write your request below and we can evaluate it and provide a quote.**

**Notes:**