



Zippie Zone

EIRZ1

For Alberta Aids to Daily Living only
AADL #W118



January 2016

ACCOUNT #: _____ SHIP TO: _____
 DATE: _____ NAME: _____
 P.O. #: _____ ADDRESS: _____
 CITY: _____ PROVINCE: _____
 POSTAL CODE: _____ PHONE #: _____
 BUYER: _____ MARKED FOR: _____



Product Info ►

1. FRAME STYLE

FRAME WITH UPHOLSTERY

- | | | | |
|--------------------------|---------|---------------------------------------|-----------|
| <input type="checkbox"/> | 190FS38 | Zippie Zone with Seating | \$3631.00 |
| <input type="checkbox"/> | 190FS39 | Zippie Zone, Flared with Seating (1") | \$3631.00 |

FRAME WITHOUT UPHOLSTERY

- | | | | |
|--------------------------|---------|---|-----------|
| <input type="checkbox"/> | 190FS40 | Zippie Zone without Upholstery | \$3264.00 |
| <input type="checkbox"/> | 190FS41 | Zippie Zone, Flared without Upholstery (1") | \$3264.00 |

2. TRANSIT

- | | | | |
|---|---------|----------------|----|
| <input type="checkbox"/> | 190TO41 | Transit Option | NC |
| <small>(Rear frame extends 1" to accom. transit & not lose depth adj.range; N/A w/ 18" depth; N/A w/ seat ht. below 15" w/ inset frame)</small> | | | |

3. FRAME SETUP

- | | | | |
|--------------------------|--------|---|----|
| <input type="checkbox"/> | 190FA8 | Frame Angle 80° | NC |
| <input type="checkbox"/> | 190FF1 | Frame Inset Per Side (Footrest) 0 | NC |
| <input type="checkbox"/> | 190FF2 | 1" (N/A 8"-9" frame width or with flared frame) | NC |

4. ZIPPIE PACKAGE

- | | | | |
|--------------------------|---------|----------------------------|----------|
| <input type="checkbox"/> | 190QE01 | Z Performance Package | |
| | | Single Sided Fork* | \$151.00 |
| | | Ultra Lightweight Wheel* | \$307.00 |
| | | Spoke Guards Clear Zippie* | \$136.00 |
| | | Compact Wheel Lock* | \$141.00 |
| | | Retail Value* | \$735.00 |
| | | Package Price* | \$604.00 |

5. FRAME COLOUR

STANDARD COLOURS

- | | | | |
|--------------------------|--------|--|----|
| <input type="checkbox"/> | 190C2 | Black (Not available as base w/ Zebra) | NC |
| <input type="checkbox"/> | 190C38 | Blue Opal | NC |

*Not covered by AADL

6. FRAME WIDTH

| | | | | | |
|---------------------------------|----------------------------|----|--------------------------------|-----|----|
| <input type="checkbox"/> 190W35 | 8" (N/A w/ 17"-18" depth) | NC | <input type="checkbox"/> 190W4 | 13" | NC |
| <input type="checkbox"/> 190W36 | 9" (N/A w/ 17"-18" depth) | NC | <input type="checkbox"/> 190W5 | 14" | NC |
| <input type="checkbox"/> 190W1 | 10" (N/A w/ 17"-18" depth) | NC | <input type="checkbox"/> 190W6 | 15" | NC |
| <input type="checkbox"/> 190W2 | 11" (N/A w/ 17"-18" depth) | NC | <input type="checkbox"/> 190W7 | 16" | NC |
| <input type="checkbox"/> 190W3 | 12" | NC | | | |

7. FRAME DEPTH

| | | | | | |
|---------------------------------|--|----|----------------------------------|-----------------------------|----|
| <input type="checkbox"/> 190SD1 | 8" (Frame grows 9" - 11") (Only avail. With 18" rear wheels and 3" casters) | NC | <input type="checkbox"/> 190SD7 | 14" (Frame grows 15" - 17") | NC |
| <input type="checkbox"/> 190SD2 | 9" (Frame grows 10" - 12") | NC | <input type="checkbox"/> 190SD8 | 15" (Frame grows 16" - 18") | NC |
| <input type="checkbox"/> 190SD3 | 10" (Frame grows 11" - 13") | NC | <input type="checkbox"/> 190SD9 | 16" (Frame grows 17" - 18") | NC |
| <input type="checkbox"/> 190SD4 | 11" (Frame grows 12" - 14") | NC | <input type="checkbox"/> 190SD10 | 17" (Frame grows 18") | NC |
| <input type="checkbox"/> 190SD5 | 12" (Frame grows 13" - 15") | NC | <input type="checkbox"/> 190SD11 | 18" (No Depth Growth) | NC |
| <input type="checkbox"/> 190SD6 | 13" (Frame grows 14" - 16") | NC | | | |

8. SLING DEPTH

For additional caster/wheel clearance you can choose a different frame length and sling depth (i.e. shorter sling vs longer frame to allow more wheel caster combos.)

| | | | | | |
|---------------------------------|--------------------------|----|----------------------------------|--------------------------|----|
| <input type="checkbox"/> 190GJ1 | 8" (Sling Grows 9-10") | NC | <input type="checkbox"/> 190GJ6 | 13" (Sling Grows 14-15") | NC |
| <input type="checkbox"/> 190GJ2 | 9" (Sling Grows 10-11") | NC | <input type="checkbox"/> 190GJ7 | 14" (Sling Grows 15-16") | NC |
| <input type="checkbox"/> 190GJ3 | 10" (Sling Grows 11-12") | NC | <input type="checkbox"/> 190GJ8 | 15" (Sling Grows 16-17") | NC |
| <input type="checkbox"/> 190GJ4 | 11" (Sling Grows 12-13") | NC | <input type="checkbox"/> 190GJ9 | 16" (Sling Grows 17-18") | NC |
| <input type="checkbox"/> 190GJ5 | 12" (Sling Grows 13-14") | NC | <input type="checkbox"/> 190GJ10 | 17" (Sling Grows 18") | NC |
| | | | <input type="checkbox"/> 190GJ11 | 18" (No Growth) | NC |

9. SEATING

Seating Systems

| | | |
|----------------------------------|--|----|
| <input type="checkbox"/> 190OP05 | Ultra Seat Sling (Tension Adjustable) | NC |
| <input type="checkbox"/> 190OP04 | Omit Seat Sling | NC |

JAY Cushions (Optional)

To order any JAY cushions on-chair, please see the JAY price list.

Cushion name or part number must be filled out with desired width and depth

| | | |
|----------------------------------|---------------------------|------------|
| <input type="checkbox"/> 190JC20 | JAY Bundled Cushion | Price List |
| | Cushion Name or Part # | |
| | Width: _____ Depth: _____ | |

| | | | | | | | | | | | | | |
|-------|----|-------|---|----|----|----|----|----|----|----|----|----|--|
| | | Width | | | | | | | | | | | |
| | | 8 | 9 | 10 | 11 | 12 | 13 | 14 | 15 | 16 | | | |
| Depth | 8 | | | | | | | | | | | 8 | |
| | 9 | | | | | | | | | | | 9 | |
| | 10 | | | | | | | | | | | 10 | |
| | 11 | | | | | | | | | | | 11 | |
| | 12 | | | | | | | | | | | 12 | |
| | 13 | | | | | | | | | | | 13 | |
| | 14 | | | | | | | | | | | 14 | |
| | 15 | | | | | | | | | | | 15 | |
| | 16 | | | | | | | | | | | 16 | |
| | 17 | | | | | | | | | | | 17 | |
| 18 | | | | | | | | | | | 18 | | |
| | | Width | | | | | | | | | | | |
| | | 8 | 9 | 10 | 11 | 12 | 13 | 14 | 15 | 16 | | | |

1" CUSHION AVAILABLE AT THESE SIZES
 1" CUSHION NOT AVAILABLE AT THESE SIZES

10. BACKREST

BACKREST TYPE

| | | |
|----------------------------------|--|----|
| <input type="checkbox"/> 190BT96 | Folding Angle Adj. w/ Double Lock Down | NC |
|----------------------------------|--|----|

BACKREST UPHOLSTERY

| | | |
|----------------------------------|--|----|
| <input type="checkbox"/> 190BU1 | Standard Upholstery (N/A with Fold Down Push Handles) | NC |
| <input type="checkbox"/> 190BU72 | Omit Standard Upholstery (N/A with Fold Down Push Handles) | NC |

Must complete Section A on next page

| | | |
|----------------------------------|--|----------|
| <input type="checkbox"/> 190BU70 | Tension Adj. Ballistic Nylon (N/A with 8"-9" widths) | \$357.00 |
| <input type="checkbox"/> 190BU73 | Omit Tension Adj. Ballistic Nylon | NC |

Must complete Section B on next page

BACKREST EXTENSION

| | | |
|----------------------------------|--|----------|
| <input type="checkbox"/> 190OD20 | Standard Extension 2" Rear Backrest Extension* Brackets (4" overall) | \$133.00 |
|----------------------------------|--|----------|

JAY BACK- Optional

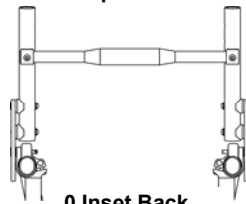
| | | |
|----------------------------------|---------|--------|
| <input type="checkbox"/> 190JB01 | J3 Back | See OF |
|----------------------------------|---------|--------|

BACKREST HANDLE OPTION (Stroller Handle)

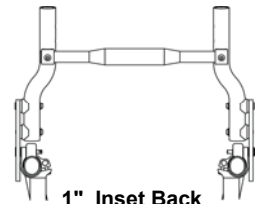
8"-10" widths have a single stroller handle; omit push handle recommended

| | | |
|----------------------------------|---|----------|
| <input type="checkbox"/> 190A192 | Telescoping Push Handles* (19" from Seat to Push Handle) | \$255.00 |
| <input type="checkbox"/> 190A195 | Telescoping Push Handles - Tall* (25" from Seat to Push Handle) | \$255.00 |

Receiver places handle outside std. 2" extension and inside 4" ext



0 Inset Back



1" Inset Back

*Not covered by AADL

SECTION A - Standard Upholstery

1A: OMIT PUSH HANDLE OPTIONS W/ STANDARD UPHOLSTERY OR WHEN OMITTING UPHOLSTERY

190PH2 Omit Push Handles NC

Choose 0 or 1" Inset and Back Height

190OD7 0 inset (straight back tubes) NC
 6" - 8" Back Height NC
Setting 6 7 8
 9" - 13" Back Height NC
Setting 9 10 11 12 13
 13" - 17" Back Height NC
Setting 13 14 15 16 17
 15" - 18" Back Height NC
Setting 15 16 17 18

190OD5 1" inset (N/A 8"-9" widths) \$92.00
 11" - 13" Back Height NC
Setting 11 12 13
 14" - 16" Back Height NC
Setting 14 15 16
 16" - 18" Back Height NC
Setting 16 17 18

2A: INTEGRAL PUSH HANDLE OPTIONS W/ STANDARD UPH.

190PH6 Integral Push Handles NC

Choose 0 or 1" Inset and Back Height

190OD7 0 inset (straight back tubes) NC
 9" - 10" Back Height NC
Setting 9 10
 11" - 15" Back Height NC
Setting 11 12 13 14 15
 13" - 16" Back Height NC
Setting 13 14 15 16
 15" - 18" Back Height NC
Setting 15 16 17 18

190OD5 1" inset (N/A 8"-9" widths) \$92.00
 12" - 14" Back Height NC
Setting 12 13 14
 14" - 16" Back Height NC
Setting 14 15 16
 16" - 18" Back Height NC
Setting 16 17 18

SECTION B - Tension Adjustable Ballistic Nylon

1B: OMIT PUSH HANDLE OPTIONS W/ TENSION ADJ.

190PH2 Omit Push Handles NC

Choose 0 or 1" Inset and Back Height

190OD7 0 inset (straight back tubes) NC
 11" - 14" Back Height NC
Setting 11 12 13 14
 13" - 15" Back Height NC
Setting 13 14 15
 15" - 18" Back Height NC
Setting 15 16 17 18

190OD5 1" inset (N/A 8"-11" widths) \$92.00
 11" - 13" Back Height NC
Setting 11 12 13
 14" - 16" Back Height NC
Setting 14 15 16
 16" - 18" Back Height NC
Setting 16 17 18

2B: INTEGRAL PUSH HANDLE OPTIONS W/ TENSION ADJ.

Integral Push Handles NC

Choose 0 or 1" Inset and Back Height

190OD7 0 inset (straight back tubes) NC
 9" - 10" Back Height NC
Setting 9 10
 11" - 14" Back Height NC
Setting 11 12 13 14
 13" - 16" Back Height NC
Setting 13 14 15 16
 15" - 18" Back Height NC
Setting 15 16 17 18

190OD5 1" inset (N/A 8"-11" widths) \$92.00
 12" - 14" Back Height NC
Setting 12 13 14
 14" - 16" Back Height NC
Setting 14 15 16
 16" - 18" Back Height NC
Setting 16 17 18



3B: FOLD DOWN PUSH HANDLE OPTIONS W/ TENSION ADJ.

190PH5 Fold Down Push Handles \$143.00

Choose 0 or 1" Inset and Back Height

190OD7 0 inset (straight back tubes) NC
 11 "-12" Back Height NC
 Setting 11 12
 13" - 16" Back Height NC
 Setting 13 14 15 16
 15" - 18" Back Height NC
 Setting 15 16 17 18

190OD5 1" inset (N/A 8"-11" widths) \$92.00
 15 "- 17" Back Height NC
 Setting 15 16 17
 17" - 18" Back Height NC
 Setting 17 18

11. ARMRESTS

ARMREST- PADDED SWING AWAY

With Transit, Lose 1" Seat Depth Growth
 190AA23 Padded Swing Away - Low \$235.00
 Setting 5" 6" 7" 8" 9"
 190AA18 Padded Swing Away - Std. \$179.00
 Setting 9" 10" 11" 12" 13"
 14"
 With Transit, Lose 1" Seat Depth Growth, below option adds 3" in length
 190AA127 Padded Swing Away +3" - Low \$235.00
 Setting 5" 6" 7" 8" 9"
 190AA128 Padded Swing Away +3" - Std. \$179.00
 Setting 9" 10" 11" 12" 13"
 14"

ARMREST- HEIGHT ADJUSTABLE

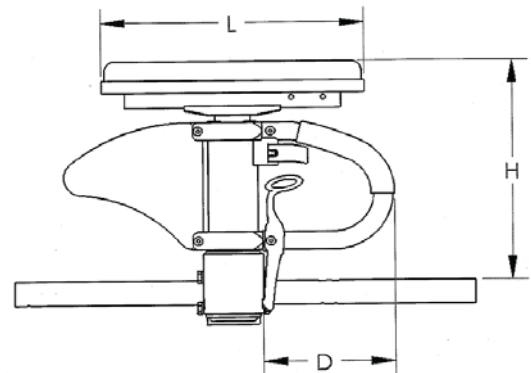
Comes with std. armrest receiver - N/A with 8"-9" depths
 190AA11 Single-Post Height Adj. Std. \$286.00
 (N/A with 8"-11" depths)
 190AM23 Desk Classic NC
 190AM21 Desk Contour NC
 190AM24 Full Classic NC
 190AM22 Full Contour NC
 190AA29 Single-Post Height Adj. Low \$286.00
 (N/A with 8"-9" depths)
 190AM23 Desk Classic NC
 190AM21 Desk Contour NC
 190AM24 Full Classic NC
 190AM22 Full Contour NC

ARMREST- T-POST FOAM

190AA129 T-Post Foam XTall \$235.00
 190AA130 T-Post Foam 2XTall \$235.00

Armrest Matrix for Single Post

| Armrest Size | Transfer Tube Length D | CLASSIC PAD | | |
|-----------------------|------------------------|---------------|--------------|---------|
| | | H Range | Pad Length L | |
| | | | Desk | Full |
| STD | 8" | 8" to 13" | 10 1/4" | 14" |
| LOW | 5 1/4" | 6.5" to 10.5" | | |
| Armrest Size | Transfer Tube Length D | CONTOUR PAD | | |
| | | H Range | Pad Length L | |
| | | | Desk | Full |
| STD | 8" | 7.5" to 12.5" | 10 1/2" | 14 1/4" |
| LOW | 5 1/4" | 6" to 10" | | |
| Armrest - T-Post Foam | | | | |
| Armrest Size | H Range | Pad Length L | | |
| X Tall | 6" to 7" | 7.5" | | |
| 2X Tall | 7" to 8" | 7.5" | | |



12. FOOTRESTS

FOOTREST

| | | | |
|--------------------------|---------|---|----------|
| <input type="checkbox"/> | 190F228 | Aluminum Tubular | NC |
| <input type="checkbox"/> | 190F273 | Aluminum Tubular w/ Snap On Cover | \$36.00 |
| <input type="checkbox"/> | 190F50 | Aluminum Platform(8" width only available with high mount option) | \$133.00 |
| <input type="checkbox"/> | 190F276 | Angle Adj. Flip Back(N/A with 6" caster in 8" width) | \$209.00 |

ADAPTIVE PLATFORM SPACERS

Only available with Aluminum Platform Footrest

| | | | |
|--------------------------|--------|-----------------------------|----------|
| <input type="checkbox"/> | 190AD1 | Adaptive Platform 2" Spacer | \$153.00 |
| <input type="checkbox"/> | 190AD2 | Adaptive Platform 4" Spacer | \$153.00 |
| <input type="checkbox"/> | 190AD3 | Adaptive Platform 6" Spacer | \$153.00 |

FOOTREST OPTIONS

| | | | |
|--------------------------|---------|---|----------|
| <input type="checkbox"/> | 190DI08 | High Mount Ext Tubes (N/A with tubular footrest) ** | \$77.00 |
| <input type="checkbox"/> | 190DI03 | Leg Strap | \$51.00 |
| <input type="checkbox"/> | 190DI04 | Extra Leg Strap* | \$71.00 |
| <input type="checkbox"/> | 190DI05 | Gel Hanger Cover* | \$138.00 |
| <input type="checkbox"/> | 190DI07 | Neoprene Impact Guards* | \$51.00 |
| <input type="checkbox"/> | 190DI02 | Wear Pads* | \$41.00 |

SEAT SLING TO FOOTREST DISTANCE (based on 1" Seat Angle)

*Seat to Footrest distances may be + - 1" from data shown dep. on frame type.

** High mount can adj. full range to seat sling

Note: Flip back may interfere with sling at highest settings.

| FSH | Caster | *Minimum | *Maximum |
|------|--------|----------|----------|
| 14.5 | 3 | 10.37" | 11.37" |
| 14.5 | 4 | 9.37" | 10.87" |
| 15.0 | 3 | 11.37" | 12.37" |
| 15.0 | 4 | 10.37" | 11.87" |
| 15.0 | 5 | 9.37" | 11.37" |
| 15.5 | 3 | 11.37" | 12.37" |
| 15.5 | 4 | 10.37" | 11.87" |
| 15.5 | 5 | 10.37" | 12.37" |
| 15.5 | 6 | 9.37" | 11.87" |
| 16.0 | 3 | 12.37" | 13.37" |
| 16.0 | 4 | 12.37" | 13.87" |
| 16.0 | 5 | 10.37" | 12.37" |
| 16.0 | 6 | 10.37" | 12.87" |
| 16.5 | 3 | 12.37" | 13.37" |
| 16.5 | 4 | 11.37" | 12.87" |
| 16.5 | 5 | 10.37" | 12.37" |
| 16.5 | 6 | 10.37" | 12.87" |
| 17.0 | 3 | 13.37" | 14.37" |
| 17.0 | 4 | 12.37" | 13.87" |
| 17.0 | 5 | 11.37" | 13.37" |
| 17.0 | 6 | 11.37" | 13.87" |
| 17.5 | 3 | 13.37" | 14.37" |
| 17.5 | 4 | 12.37" | 13.87" |
| 17.5 | 5 | 11.37" | 13.37" |
| 17.5 | 6 | 11.37" | 13.87" |
| 18.0 | 3 | 14.37" | 15.37" |
| 18.0 | 4 | 13.37" | 14.87" |
| 18.0 | 5 | 12.37" | 14.37" |
| 18.0 | 6 | 11.37" | 13.87" |
| 18.5 | 3 | 14.37" | 15.37" |
| 18.5 | 4 | 14.37" | 15.87" |
| 18.5 | 5 | 12.37" | 14.37" |
| 18.5 | 6 | 12.37" | 14.87" |
| 19.0 | 3 | 14.37" | 15.37" |
| 19.0 | 4 | 14.37" | 15.87" |
| 19.0 | 5 | 12.37" | 14.37" |
| 19.0 | 6 | 12.37" | 14.87" |

 Not Available with 1" Inset

Front Seat Height Matrix

| Rear Wheel Size | Front Caster | | | |
|-----------------|-------------------------------|-------------------------------|-------------------------------|-------------------------------|
| | <input type="checkbox"/> 3 | <input type="checkbox"/> 4 | <input type="checkbox"/> 5 | <input type="checkbox"/> 6 |
| 18" | <input type="checkbox"/> 14.0 | <input type="checkbox"/> 14.0 | | |
| | <input type="checkbox"/> 14.5 | <input type="checkbox"/> 14.5 | <input type="checkbox"/> 14.5 | <input type="checkbox"/> 14.5 |
| | <input type="checkbox"/> 15 | <input type="checkbox"/> 15 | <input type="checkbox"/> 15 | <input type="checkbox"/> 15 |
| | <input type="checkbox"/> 15.5 | <input type="checkbox"/> 15.5 | <input type="checkbox"/> 15.5 | <input type="checkbox"/> 15.5 |
| | <input type="checkbox"/> 16.0 | <input type="checkbox"/> 16.0 | <input type="checkbox"/> 16.0 | <input type="checkbox"/> 16.0 |
| | <input type="checkbox"/> 16.5 | <input type="checkbox"/> 14.5 | <input type="checkbox"/> 14.0 | <input type="checkbox"/> 14.5 |
| | <input type="checkbox"/> 17 | <input type="checkbox"/> 17 | <input type="checkbox"/> 17 | <input type="checkbox"/> 17 |
| | <input type="checkbox"/> 17.5 | <input type="checkbox"/> 17.5 | <input type="checkbox"/> 17.5 | <input type="checkbox"/> 17.5 |
| | <input type="checkbox"/> 18.0 | <input type="checkbox"/> 18.0 | <input type="checkbox"/> 18.0 | <input type="checkbox"/> 18.0 |
| | <input type="checkbox"/> 18.5 | <input type="checkbox"/> 18.5 | <input type="checkbox"/> 18.5 | <input type="checkbox"/> 18.5 |
| 20" | <input type="checkbox"/> 19.0 | <input type="checkbox"/> 19.0 | <input type="checkbox"/> 19.0 | <input type="checkbox"/> 19.0 |
| | <input type="checkbox"/> 14.0 | <input type="checkbox"/> 14.0 | | |
| | <input type="checkbox"/> 14.5 | <input type="checkbox"/> 14.5 | <input type="checkbox"/> 14.5 | |
| | <input type="checkbox"/> 15 | <input type="checkbox"/> 15 | <input type="checkbox"/> 15 | <input type="checkbox"/> 15 |
| | <input type="checkbox"/> 15.5 | <input type="checkbox"/> 15.5 | <input type="checkbox"/> 15.5 | <input type="checkbox"/> 15.5 |
| | <input type="checkbox"/> 16.0 | <input type="checkbox"/> 16.0 | <input type="checkbox"/> 16.0 | <input type="checkbox"/> 16.0 |
| | <input type="checkbox"/> 16.5 | <input type="checkbox"/> 14.5 | <input type="checkbox"/> 14.0 | <input type="checkbox"/> 14.5 |
| | <input type="checkbox"/> 17 | <input type="checkbox"/> 17 | <input type="checkbox"/> 17 | <input type="checkbox"/> 17 |
| | <input type="checkbox"/> 17.5 | <input type="checkbox"/> 17.5 | <input type="checkbox"/> 17.5 | <input type="checkbox"/> 17.5 |
| | <input type="checkbox"/> 18.0 | <input type="checkbox"/> 18.0 | <input type="checkbox"/> 18.0 | <input type="checkbox"/> 18.0 |
| 22" | <input type="checkbox"/> 18.5 | <input type="checkbox"/> 18.5 | <input type="checkbox"/> 18.5 | <input type="checkbox"/> 18.5 |
| | <input type="checkbox"/> 19.0 | <input type="checkbox"/> 19.0 | <input type="checkbox"/> 19.0 | <input type="checkbox"/> 19.0 |
| | <input type="checkbox"/> 15.5 | <input type="checkbox"/> 15.5 | <input type="checkbox"/> 15.5 | <input type="checkbox"/> 15.5 |
| | <input type="checkbox"/> 16.0 | <input type="checkbox"/> 16.0 | <input type="checkbox"/> 16.0 | <input type="checkbox"/> 16.0 |
| | <input type="checkbox"/> 16.5 | <input type="checkbox"/> 14.5 | <input type="checkbox"/> 14.0 | <input type="checkbox"/> 14.5 |
| | <input type="checkbox"/> 17 | <input type="checkbox"/> 17 | <input type="checkbox"/> 17 | <input type="checkbox"/> 17 |
| | <input type="checkbox"/> 17.5 | <input type="checkbox"/> 17.5 | <input type="checkbox"/> 17.5 | <input type="checkbox"/> 17.5 |
| | <input type="checkbox"/> 18.0 | <input type="checkbox"/> 18.0 | <input type="checkbox"/> 18.0 | <input type="checkbox"/> 18.0 |
| | <input type="checkbox"/> 18.5 | <input type="checkbox"/> 18.5 | <input type="checkbox"/> 18.5 | <input type="checkbox"/> 18.5 |
| | <input type="checkbox"/> 19.0 | <input type="checkbox"/> 19.0 | <input type="checkbox"/> 19.0 | <input type="checkbox"/> 19.0 |
| 24" | <input type="checkbox"/> 16.0 | <input type="checkbox"/> 16.0 | <input type="checkbox"/> 16.0 | <input type="checkbox"/> 16.0 |
| | <input type="checkbox"/> 16.5 | <input type="checkbox"/> 14.5 | <input type="checkbox"/> 14.0 | <input type="checkbox"/> 14.5 |
| | <input type="checkbox"/> 17 | <input type="checkbox"/> 17 | <input type="checkbox"/> 17 | <input type="checkbox"/> 17 |
| | <input type="checkbox"/> 17.5 | <input type="checkbox"/> 17.5 | <input type="checkbox"/> 17.5 | <input type="checkbox"/> 17.5 |
| | <input type="checkbox"/> 18.0 | <input type="checkbox"/> 18.0 | <input type="checkbox"/> 18.0 | <input type="checkbox"/> 18.0 |
| | <input type="checkbox"/> 18.5 | <input type="checkbox"/> 18.5 | <input type="checkbox"/> 18.5 | <input type="checkbox"/> 18.5 |
| | <input type="checkbox"/> 19.0 | <input type="checkbox"/> 19.0 | <input type="checkbox"/> 19.0 | <input type="checkbox"/> 19.0 |

FRONT SEAT HEIGHTS ARE SHOWN IN THE BOXES ABOVE. DEPENDING ON CG SETTING, SEAT DEPTH, AND FRAME SIZE SOME OF THE ABOVE SIZES MAY NOT BE AVAILABLE



13. CASTERS

CASTER WHEEL

| | | | |
|--------------------------|---------|--|---------|
| <input type="checkbox"/> | 190CW1 | 3" Micro | \$61.00 |
| <input type="checkbox"/> | 190CW3 | 4" Low Profile Polyurethane | NC |
| <input type="checkbox"/> | 190CW31 | 4" Micro Light Up* | \$92.00 |
| <input type="checkbox"/> | 190CW64 | 4" x 1.5" Aluminum Soft Roll* | \$92.00 |
| <input type="checkbox"/> | 190CW5 | 5" Low Profile Polyurethane | NC |
| <input type="checkbox"/> | 190CW51 | 5" Micro Light Up* | \$92.00 |
| <input type="checkbox"/> | 190CW6 | 5" Soft Roll (Grey)(N/A with Frog Legs)* | \$92.00 |
| <input type="checkbox"/> | 190CW7 | 5"x1.5" Semi Pneumatic* | \$92.00 |
| <input type="checkbox"/> | 190CW66 | 5"x1.5" Aluminum Soft Roll* | \$92.00 |
| <input type="checkbox"/> | 190CW34 | 6" Poly | NC |
| <input type="checkbox"/> | 190CW35 | 6"x1.5" Semi Pneumatic* | \$92.00 |

CASTER FORKS AND SUSPENSION

| | | | |
|--------------------------|---------|------------------------------|----------|
| <input type="checkbox"/> | 190CF65 | Multiple Position | NC |
| <input type="checkbox"/> | 190CF69 | Multi Position Single Sided* | \$148.00 |
| <input type="checkbox"/> | 190CF53 | Frog Legs 0-100 lbs.* | \$485.00 |
| <input type="checkbox"/> | 190CF70 | Frog Legs 101 - 165 lbs.* | \$485.00 |

14. AXLES AND WHEELS

AXLE PLATE

| | | | |
|--------------------------|---------|--|----|
| <input type="checkbox"/> | 190AL61 | Adjustable (COG Adjustable - .25"-2.25" 1/4" increments) | NC |
|--------------------------|---------|--|----|

CENTER OF GRAVITY PRESET

| | | | |
|--------------------------|---------|-----------------------|----|
| <input type="checkbox"/> | 190CC21 | -.25" | NC |
| <input type="checkbox"/> | 190CC26 | 0 (Flush w/ backrest) | NC |
| <input type="checkbox"/> | 190CC22 | .25" | NC |
| <input type="checkbox"/> | 190CC16 | .5" | NC |
| <input type="checkbox"/> | 190CC23 | .75" | NC |
| <input type="checkbox"/> | 190CC20 | 1" | NC |
| <input type="checkbox"/> | 190CC24 | 1.25" | NC |
| <input type="checkbox"/> | 190CC15 | 1.5" | NC |
| <input type="checkbox"/> | 190CC25 | 1.75" | NC |
| <input type="checkbox"/> | 190CC17 | 2" | NC |
| <input type="checkbox"/> | 190CC27 | 2.25" | NC |

CAMBER

| | | | |
|--------------------------|--------|---|----|
| <input type="checkbox"/> | 190CI1 | 0° | NC |
| <input type="checkbox"/> | 190CI2 | 3° | NC |
| <input type="checkbox"/> | 190CI4 | 6° (N/A with Mag Wheel and Hub locks or Side guard Hub locks) | NC |

REAR SEAT HEIGHT (can not exceed 2.5" drop)

| | | | |
|--------------------------|---------|-------|----|
| <input type="checkbox"/> | 190RH11 | 13" | NC |
| <input type="checkbox"/> | 190RH12 | 13.5" | NC |
| <input type="checkbox"/> | 190RH13 | 14" | NC |
| <input type="checkbox"/> | 190RH14 | 14.5" | NC |
| <input type="checkbox"/> | 190RH15 | 15" | NC |
| <input type="checkbox"/> | 190RH16 | 15.5" | NC |
| <input type="checkbox"/> | 190RH17 | 16" | NC |
| <input type="checkbox"/> | 190RH18 | 16.5" | NC |
| <input type="checkbox"/> | 190RH19 | 17" | NC |
| <input type="checkbox"/> | 190RH26 | 17.5" | NC |
| <input type="checkbox"/> | 190RH20 | 18" | NC |
| <input type="checkbox"/> | 190RH27 | 18.5" | NC |
| <input type="checkbox"/> | 190RH21 | 19" | NC |

REAR WHEELS

| | | | |
|--------------------------|---------|--|----|
| <input type="checkbox"/> | 190RW12 | 18" Spoke (N/A with Spinergy or Natural Fit Handrim) | NC |
| <input type="checkbox"/> | 190RW3 | 20" Mag | NC |
| <input type="checkbox"/> | 190RW8 | 22" Mag | NC |
| <input type="checkbox"/> | 190RW1 | 24" Mag | NC |
| <input type="checkbox"/> | 190RW74 | 20" Lite Spoke Wheel | NC |
| <input type="checkbox"/> | 190RW75 | 22" Lite Spoke Wheel | NC |
| <input type="checkbox"/> | 190RW76 | 24" Lite Spoke Wheel | NC |

REAR WHEEL TIRE

| | | | |
|--------------------------|---------|-----------------------------------|----------|
| <input type="checkbox"/> | 190RT3 | Full Poly Tire | NC |
| <input type="checkbox"/> | 190RT6 | High Pressure Clincher* | \$87.00 |
| <input type="checkbox"/> | 190RT22 | Kik Mako Black* | \$122.00 |
| <input type="checkbox"/> | 190RT27 | Knobby V-TRAK by Kenda* | \$102.00 |
| <input type="checkbox"/> | 190RT1 | Pneumatic | NC |
| <input type="checkbox"/> | 190RT2 | Pneumatic Airless Insert* | \$209.00 |
| <input type="checkbox"/> | 190RT21 | Schwalbe Marathon Plus Evolution* | \$133.00 |
| <input type="checkbox"/> | 190RT28 | Schwalbe Speed* | \$138.00 |
| <input type="checkbox"/> | 190RT4 | Low Poly | NC |

HANDRIM

| | | | |
|--------------------------|---------|---|----------|
| <input type="checkbox"/> | 190HR1 | Aluminum Anodized | NC |
| <input type="checkbox"/> | 190HR4 | Plastic Coated (N/A on Ultra) | \$138.00 |
| <input type="checkbox"/> | 190HR22 | Natural Fit - Standard Grip (N/A on Ultra Lite or 20" Lite Spoke)* | \$321.00 |
| <input type="checkbox"/> | 190HR23 | Natural Fit - Super Grip (N/A on Ultra Lite or 20" Lite Spoke)* | \$367.00 |
| <input type="checkbox"/> | 190HR30 | Natural Fit LT - Standard Grip (N/A on Ultra Lite or 20" Lite Spoke)* | \$439.00 |
| <input type="checkbox"/> | 190HR31 | Natural Fit LT - Super Grip (N/A on Ultra Lite or 20" Lite Spoke)* | \$500.00 |
| <input type="checkbox"/> | 190HR24 | Spinergy Flex Rim (Only on 24" Spinergy LX)* | \$592.00 |
| <input type="checkbox"/> | 190HR7 | Omit Handrim (Only on Mag, 24 Spinergy) | -\$12.00 |

*Not covered by AADL

14. AXLES AND WHEELS - CONT.

22" Rear Wheels w/ 5" Casters & 3 or 6 Degrees of Camber 0" Frame Inset

Not available in 12" or less seat depths

- 13" Seat Depth
- Must have front seat to floor height at least 17" in the front and 15 1/2" in the rear.
 - You can increase STFs but must keep 1 1/2" dump.
 - If you change camber to 0 degrees you can get away with 1" dump
 - You must choose COG setting of -.25".
- 14" Seat Depth
- Able to get away with 1" seat dump with a minimum of 15 1/2" in the Rear and 16 1/2" in Front.
 - Can have COG set as far forward as +.25".
- 15" Seat Depth
- Able to get away with 1" seat dump with min of 15" Rear STF and 16" Front STF
 - COG can be adjusted as far forward as 1".

22" Rear Wheels w/ 4" Casters, 3 or 6 Degrees of Camber, and 0" Frame Inset

Not available in 8" or 9" seat depths.

- 10" Seat Depth
- Must have at least a 15" Rear STF and 16" Front STF.
 - COG setting must be -.25".
 - If you increase Rear STF to 15 1/2" and 16 1/2" Front STF you can move COG to 0".
 - If you increase the dump to 1 1/2" (15 R-STF and 16 1/2" F-STF) or change Camber to 0 degrees you can increase COG to .25".
- 11" Seat Depth
- Same as 10" Seat Depth, just allows you to have COG setting a .25"
- 12" Seat Depth
- Must have at least 15" Rear STF and 15 1/2" Front STF.
 - COG setting can be as far forward at .5".
 - If you increase the dump to 1" instead of 1/2" you can increase COG as far forward as 1".

24" Rear Wheels w/ 4" Casters, 3 or 6 Degrees Camber, and 0" Frame Inset

Not available in 10" seat depths or less.

- 11" Seat Depth
- Must have at least a 16" Rear STF and 17" Front STF.
 - COG setting can be 0" or -.25".
- 12" Seat Depth
- Must have at least 16" Rear STF and 17" Front STF.
 - COG setting can be as far forward as 1". (Camber must be 3 degrees)
 - If camber is 6 degrees than COG can only be as far forward as .75"

HUB LOCK

Only available with Lite Spokes; N/A with 6° camber

- | | | | |
|--------------------------|---------|---|----------|
| <input type="checkbox"/> | 190LK03 | Seat Frame Mount* (Side Guard - See Section) | \$133.00 |
|--------------------------|---------|---|----------|

AXLE

- | | | | |
|--------------------------|--------|---------------------|----|
| <input type="checkbox"/> | 190AX1 | Quick Release Steel | NC |
|--------------------------|--------|---------------------|----|

Rear Seat Height Minimum

| Rear Wheel | 13.0 | 13.5 | 14.0 | 14.5 | 15.0 | 15.5 | 16.0 | 16.5 | 17.0 | 17.5 | 18.0 | 18.5 | 19.0 |
|------------|------|------|------|------|------|------|------|------|------|------|------|------|------|
| 18 | | | | | | | | | | | | | |
| 20 | | | | | | | | | | | | | |
| 22 | | | | | | | | | | | | | |
| 24 | | | | | | | | | | | | | |

*With 22" & 24" rear wheels and KIK or HP Clinchers, you may get an additional 1/2" lower seat height in some scenarios.

Rear Tire & Wheel Matrix

| Wheel | Mag | Lite Spoke | Ultra Light-Weight | Spinergy SPOX & LX | Spoke |
|---------------------------------|----------|------------|--------------------|--------------------|-------|
| Pneumatic | 20,22,24 | 20,22,24 | N/A | 24 | 18 |
| Pneumatic Airless Insert | 20,22,24 | 20,22,24 | N/A | 24 | 18 |
| Full Poly Tire | 20,22,24 | 20,22 | N/A | N/A | N/A |
| Low Poly Tire | 22,24 | 22,24 | N/A | N/A | N/A |
| High-Pressure Clincher | N/A | 22,24 | 22,24 | 22,24 | N/A |
| Knobby V-TRAK | N/A | 24 | N/A | 24 | N/A |
| Schwabe Marathon Plus | N/A | 24 | 22,24 | 24 | N/A |
| Kik® Mako Black | 24 | 24 | N/A | 24 | N/A |
| Schwabe Speed | N/A | 24 | 24 | 24 | N/A |

22" = 489 24" = 540

SIDE GUARD

- | | | | |
|--------------------------|---------|---|----------|
| <input type="checkbox"/> | 190SG33 | Plastic Standard | \$158.00 |
| <input type="checkbox"/> | 190SG29 | Plastic Low | \$158.00 |
| <input type="checkbox"/> | 190SG7 | Aluminum Folding* | \$362.00 |
| <input type="checkbox"/> | 190SG37 | Aluminum with Fender and Hub Lock* (Pull to lock - single hand Right side mount) (N/A with seat frame mount hub lock) | \$209.00 |
| <input type="checkbox"/> | 190SG38 | Aluminum with Fender and Hub Lock* (Pull to lock - single hand Left side mount) (N/A with seat frame mount hub lock) | \$209.00 |

SIDE GUARD COLOUR OPTION

Only available with Aluminum Side Guard

- | | | | |
|--------------------------|---------|--------------------------------|---------|
| <input type="checkbox"/> | 190GE01 | Black | NC |
| <input type="checkbox"/> | 190GE02 | Matching Frame - Std. Colors | NC |
| <input type="checkbox"/> | 190GE03 | Matching Frame - Custom Color* | \$61.00 |

ANTI-TIP

- | | | | |
|--------------------------|--------|----------------|----------|
| <input type="checkbox"/> | 190AT1 | Rear Anti-Tips | \$138.00 |
|--------------------------|--------|----------------|----------|

WHEEL LOCK

- | | | | |
|--------------------------|---------|-----------------|----------|
| <input type="checkbox"/> | 190WL1 | High Mount Push | NC |
| <input type="checkbox"/> | 190WL2 | High Mount Pull | NC |
| <input type="checkbox"/> | 190WL30 | Compact* | \$138.00 |
| <input type="checkbox"/> | 190WL10 | Omit Wheel Lock | NC |

EXTENSION HANDLE

- | | | | |
|--------------------------|--------|---------|---------|
| <input type="checkbox"/> | 190EH1 | 6" Pair | \$61.00 |
|--------------------------|--------|---------|---------|

16. ACCESSORIES

BACK PACK

- | | | | |
|--------------------------|-------|---------------------------------|---------|
| <input type="checkbox"/> | 190A1 | Utility Backpack - Black* | \$56.00 |
| <input type="checkbox"/> | 190A2 | Additional Kids Black Backpack* | \$51.00 |
| <input type="checkbox"/> | 190A8 | Black Seat Pouch* | \$46.00 |

MISCELLANEOUS

- | | | | |
|--------------------------|---------|----------------|---------|
| <input type="checkbox"/> | 190A203 | Crutch Holder* | \$97.00 |
| <input type="checkbox"/> | 190A83 | Tool Kit* | \$36.00 |

POSITIONING BELT

- | | | | |
|--------------------------|---------|----------------------------------|----------|
| <input type="checkbox"/> | 190A112 | 1" Dual Pull Side Squeeze Padded | \$87.00 |
| <input type="checkbox"/> | 190A117 | Belt 2" Aircraft Buckle | \$112.00 |
| <input type="checkbox"/> | 190A118 | Belt 2" Aircraft Buckle Padded | \$173.00 |
| <input type="checkbox"/> | 190A141 | Belt 1.5" Auto Buckle w/ Clamps | \$77.00 |
| <input type="checkbox"/> | 190A814 | 1" Comfort Fit APB5116 | \$122.00 |
| <input type="checkbox"/> | 190A120 | Positioning Belt Side Clamp | \$51.00 |

SPOKE GUARD

- | | | | |
|--------------------------|---------|--|----------|
| <input type="checkbox"/> | 190A23 | Black* | \$133.00 |
| <input type="checkbox"/> | 190A303 | Spoke Guards Clear Zippie (N/A with Spinergy)* | \$133.00 |

*Not covered by AADL