



Quickie QRi July 2017



EIR5

Mark For:

Submitting for: Quote Order

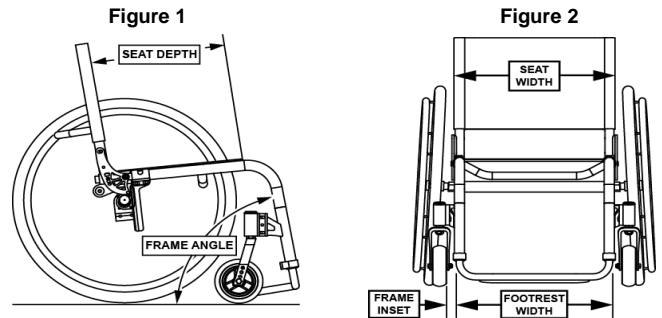
Date: _____
 Dealer Acct #: _____
 Dealer: _____
 Dealer Contact: _____
 Dealer Address: _____
 Dealer City: _____ PV: _____ PC: _____
 Dealer Phone: () _____ Fax: () _____
 Confirmation Email: _____
 Confirm Via: Fax Email

PO#: _____
ADDITIONAL SHIPPING INFORMATION
 Ship To: _____
 Attention: _____
 Address: _____
 Address: _____
 Ship To City: _____ PV: _____ PC: _____
 Ship To Phone: () _____ Fax: () _____

| ✓ | Option # | Definition | Price | ✓ | Option # | Definition | Price |
|---|----------|------------|-------|---|----------|------------|-------|
|---|----------|------------|-------|---|----------|------------|-------|

1. FRAME STYLE & SETUP

| Base Model | | | |
|--------------------------|---------|--|----------------|
| <input type="checkbox"/> | 202WM81 | QRi (265 lbs) Classic Frame Style E1236 Applies with certain sizes | \$2,700.00 |
| Transit | | | |
| <input type="checkbox"/> | 202TO1 | Transit | \$363.00 |
| Attitude Bike (Optional) | | | |
| <input type="checkbox"/> | 202IN04 | Attitude Bike bundle | See Order Form |



| Frame Angle (see Figure 1) | | | |
|----------------------------|--------|-----|----|
| <input type="checkbox"/> | 202FA1 | 75° | NC |
| <input type="checkbox"/> | 202FA8 | 80° | NC |
| <input type="checkbox"/> | 202FA2 | 85° | NC |

| Frame Inset Per Side (See Figure 2) | | | |
|-------------------------------------|--------|---------------------|----|
| <input type="checkbox"/> | 202FF1 | 0" | NC |
| <input type="checkbox"/> | 202FF2 | 1" (NA w/ 12" wide) | NC |

| Frame Inset | Footrest Width |
|-------------|------------------------------|
| 0 | Subtract 0 from Frame Width |
| 1" | Subtract 2" from Frame Width |

| Seat Width | | | |
|--|--------|-----|----------|
| <i>Measure from outside of seat tube to outside of opposite seat tube.</i> | | | |
| <input type="checkbox"/> | 202S3 | 12" | NC |
| <input type="checkbox"/> | 202S4 | 13" | NC |
| <input type="checkbox"/> | 202S5 | 14" | NC |
| <input type="checkbox"/> | 202S6 | 15" | NC |
| <input type="checkbox"/> | 202S7 | 16" | NC |
| <input type="checkbox"/> | 202S8 | 17" | NC |
| <input type="checkbox"/> | 202S9 | 18" | NC |
| <input type="checkbox"/> | 202S10 | 19" | \$276.00 |
| <input type="checkbox"/> | 202S48 | 20" | \$276.00 |

| Seat Depth | | | |
|---|---------|-----|----------|
| <i>Measures from front of back post to front edge of seat sling. Seat sling will be 1" shorter than depth ordered, but actual seat depth will remain the same as ordered.</i> | | | |
| <input type="checkbox"/> | 202SD5 | 12" | NC |
| <input type="checkbox"/> | 202SD6 | 13" | NC |
| <input type="checkbox"/> | 202SD7 | 14" | NC |
| <input type="checkbox"/> | 202SD8 | 15" | NC |
| <input type="checkbox"/> | 202SD9 | 16" | NC |
| <input type="checkbox"/> | 202SD10 | 17" | NC |
| <input type="checkbox"/> | 202SD11 | 18" | NC |
| <input type="checkbox"/> | 202SD12 | 19" | \$276.00 |
| <input type="checkbox"/> | 202SD13 | 20" | \$276.00 |

2. FRONT SEAT HEIGHT SET UP

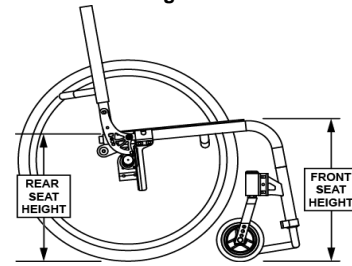
Front Seat Height

See Figure 3

| | | | | | |
|----------------------------------|-------|----|----------------------------------|-------|----|
| <input type="checkbox"/> 202SH12 | 15.0" | NC | <input type="checkbox"/> 145SH20 | 18.5" | NC |
| <input type="checkbox"/> 202SH13 | 15.5" | NC | <input type="checkbox"/> 145SH21 | 19.0" | NC |
| <input type="checkbox"/> 202SH14 | 16.0" | NC | <input type="checkbox"/> 145SH23 | 19.5" | NC |
| <input type="checkbox"/> 202SH15 | 16.5" | NC | <input type="checkbox"/> 145SH24 | 20.0" | NC |
| <input type="checkbox"/> 202SH16 | 17.0" | NC | | | |
| <input type="checkbox"/> 202SH17 | 17.5" | NC | | | |
| <input type="checkbox"/> 202SH18 | 18.0" | NC | | | |

| Frame Depth | Max Seat Squeeze |
|-------------|------------------|
| 12"/13" | 2.5" |
| 14"/15" | 3.0" |
| 16"/17" | 3.5" |
| 18"/19" | 4.0" |
| 20" | 4.5" |

Figure 3



Caster Wheels

| | | |
|----------------------------------|------------------------------|----------|
| <input type="checkbox"/> 202CW3 | 4" Low Profile Polyurethane | NC |
| <input type="checkbox"/> 202CW44 | 4" x 1.25" Semi Pneumatic | NC |
| <input type="checkbox"/> 202CW64 | 4" x 1.5" Aluminum Soft Roll | \$98.00 |
| <input type="checkbox"/> 202CW5 | 5" Low Profile Polyurethane | NC |
| <input type="checkbox"/> 202CW65 | 5"x 1" Aluminum Polyurethane | \$113.00 |
| <input type="checkbox"/> 202CW7 | 5"x 1.5" Semi Pneumatic | \$98.00 |
| <input type="checkbox"/> 202CW66 | 5"x 1.5" Aluminum Soft Roll | \$98.00 |
| <input type="checkbox"/> 202CW34 | 6" Polyurethane | NC |
| <input type="checkbox"/> 202CW35 | 6"x 1.5" Semi Pneumatic | \$98.00 |
| <input type="checkbox"/> 202CW68 | 6"x 1.5" Aluminum Soft Roll | \$98.00 |

Caster Fork

Frog Legs NA w/ 6" casters

| | | |
|----------------------------------|-------------------------------------|----------|
| <input type="checkbox"/> 202CF26 | Standard | NC |
| <input type="checkbox"/> 202CF53 | Frog Legs 0 weight to 100 lbs | \$515.00 |
| <input type="checkbox"/> 202CF54 | Frog Legs 101 lbs weight to 190 lbs | \$515.00 |
| <input type="checkbox"/> 202CF55 | Frog Legs 191 lbs weight to 265 lbs | \$515.00 |

3. FOOTPLATE OPTIONS

Footrest

Leg strap not included, see Footplate Option section

| | | |
|----------------------------------|-----------------------------------|----------|
| <input type="checkbox"/> 202F308 | Aluminum Tubular | NC |
| <input type="checkbox"/> 202F309 | Aluminum Tubular w/ Snap on Cover | \$38.00 |
| <input type="checkbox"/> 202F310 | Aluminum Platform (Ang. Adj.) | \$136.00 |

Adaptive Platform Spacer

NA with Tubular Footrest

| | | |
|---------------------------------|-----------------------------|----------|
| <input type="checkbox"/> 202AD1 | Adaptive Platform 2" Spacer | \$163.00 |
| <input type="checkbox"/> 202AD2 | Adaptive Platform 4" Spacer | \$163.00 |
| <input type="checkbox"/> 202AD3 | Adaptive Platform 6" Spacer | \$163.00 |

Footrest Options

| | | |
|----------------------------------|--|----------|
| <input type="checkbox"/> 202DI19 | Leg Strap | \$55.00 |
| <input type="checkbox"/> 202A54 | Extra Leg Strap | \$55.00 |
| <input type="checkbox"/> 202DI06 | Positioning Plates for Platform Footrest | \$70.00 |
| <input type="checkbox"/> 202A500 | Gel Cover Hanger/Frame | \$146.00 |

Lower Leg Length Range

| Frame Angle | Footrest Type | Range | FSH Range 15"-17" | | FSH Range 17.5"-20" | |
|-------------|---------------------------|-------|-------------------|------|---------------------|------|
| | | | Inset | 0" | 1" | 0" |
| 75° | Platform | Min | 12.3 | 12.3 | 14.3 | 14.3 |
| | | Max | 16.0 | 16.0 | 18.0 | 18.0 |
| | Tubular | Min | 12.3 | 12.3 | 14.3 | 14.3 |
| | | Max | 15.5 | 15.5 | 17.5 | 17.5 |
| | Long Platform and Tubular | Min | 12.3 | 13.9 | 14.3 | 14.3 |
| | | Max | 17.5 | 17.5 | 19.5 | 19.5 |
| 80° | Platform | Min | 12.2 | 12.1 | 14.2 | 14 |
| | | Max | 16.1 | 16.1 | 18.1 | 18.1 |
| | Tubular | Min | 12.2 | 12.2 | 14.2 | 14.2 |
| | | Max | 15.6 | 15.6 | 17.6 | 17.6 |
| | Long Platform and Tubular | Min | 12.2 | 14.2 | 14.2 | 14.2 |
| | | Max | 17.8 | 17.8 | 19.8 | 19.8 |
| 85° | Platform | Min | 12.2 | 12.5 | 14.2 | 14 |
| | | Max | 16.1 | 16.1 | 18.1 | 18.1 |
| | Tubular | Min | 12.2 | 12.5 | 14.2 | 14.2 |
| | | Max | 15.5 | 15.5 | 17.5 | 17.5 |
| | Long Platform and Tubular | Min | 12.2 | 14.5 | 14.2 | 14.5 |
| | | Max | 17.7 | 17.7 | 19.7 | 19.7 |

Quote or order acknowledgement will display standard or long footrest used with configuration of chair. Subtract appropriate length if using platform spacers.

Tubular and Platform Footrest Caster/Fork Availability

| | Caster | Fork | Inset | |
|-----------------|---------------|---------------|----------|----------|
| | | | 0" | 1" |
| 75° Frame Angle | 3 | Standard Fork | | |
| | | Frog Legs | | |
| | 4 | Standard Fork | | |
| | | Frog Legs | | |
| | 5 | Standard Fork | | |
| | | Frog Legs | | |
| 6 | Standard Fork | | | |
| | Frog Legs | NA | NA | |
| 80° Frame Angle | 3 | Standard Fork | | |
| | | Frog Legs | | |
| | 4 | Standard Fork | | |
| | | Frog Legs | | |
| | 5 | Standard Fork | | |
| | | Frog Legs | NA | |
| 6 | Standard Fork | NA w/1.5 | | |
| | Frog Legs | NA | NA | |
| 85° Frame Angle | 3 | Standard Fork | | |
| | | Frog Legs | NA | |
| | 4 | Standard Fork | | |
| | | Frog Legs | NA | NA w/1.5 |
| | 5 | Standard Fork | NA w/1.5 | |
| | | Frog Legs | NA | NA |
| 6 | Standard Fork | NA | NA | |
| | Frog Legs | NA | NA | |

NA w/ 1.5 = NA with the 1.5" wide caster. Blank = available. No Go's may still apply that are not listed based on actual configuration of the chair.

4. REAR SEAT HEIGHT SET UP

Rear Seat Height

14" and 14.5" only available w/ 22" rear wheels

| | | | |
|--------------------------|---------|-------|----|
| <input type="checkbox"/> | 202RH13 | 14.0" | NC |
| <input type="checkbox"/> | 202RH14 | 14.5" | NC |
| <input type="checkbox"/> | 202RH15 | 15.0" | NC |
| <input type="checkbox"/> | 202RH16 | 15.5" | NC |
| <input type="checkbox"/> | 202RH17 | 16.0" | NC |
| <input type="checkbox"/> | 202RH18 | 16.5" | NC |
| <input type="checkbox"/> | 202RH19 | 17.0" | NC |
| <input type="checkbox"/> | 202RH26 | 17.5" | NC |
| <input type="checkbox"/> | 202RH20 | 18.0" | NC |
| <input type="checkbox"/> | 202RH27 | 18.5" | NC |
| <input type="checkbox"/> | 202RH21 | 19.0" | NC |
| <input type="checkbox"/> | 202RH37 | 19.5" | NC |
| <input type="checkbox"/> | 202RH22 | 20.0" | NC |

Rear Wheel Size

Ultra Lightweight Wheels only available with aluminum anodized handrim

Contact Built 4 Me for Spinergy color options

| | | | |
|--------------------------|---------|---------------------------------------|----------|
| <input type="checkbox"/> | 202RW8 | 22" Mag Wheel | NC |
| <input type="checkbox"/> | 202RW1 | 24" Mag Wheel | NC |
| <input type="checkbox"/> | 202RW91 | 22" Lite Spoke Wheel | \$200.00 |
| <input type="checkbox"/> | 202RW92 | 24" Lite Spoke Wheel | NC |
| <input type="checkbox"/> | 202RW93 | 25" Lite Spoke Wheel | NC |
| <input type="checkbox"/> | 202RW94 | 26" Lite Spoke Wheel | \$113.00 |
| <input type="checkbox"/> | 202RW06 | 22" Ultra Lightweight Spoke Wheel 2.0 | \$319.00 |
| <input type="checkbox"/> | 202RW10 | 24" Ultra Lightweight Spoke Wheel 2.0 | \$319.00 |
| <input type="checkbox"/> | 202RW16 | 25" Ultra Lightweight Spoke Wheel 2.0 | \$319.00 |
| <input type="checkbox"/> | 202RW28 | 22" Spinergy SPOX Black | \$774.00 |
| <input type="checkbox"/> | 202RW95 | 24" Spinergy SPOX Black | \$774.00 |
| <input type="checkbox"/> | 202RW96 | 25" Spinergy SPOX Black | \$774.00 |
| <input type="checkbox"/> | 202RW97 | 26" Spinergy SPOX Black | \$774.00 |
| <input type="checkbox"/> | 202RW32 | 22" Spinergy LX Black | \$995.00 |
| <input type="checkbox"/> | 202RW98 | 24" Spinergy LX Black | \$995.00 |
| <input type="checkbox"/> | 202RW99 | 25" Spinergy LX Black | \$995.00 |
| <input type="checkbox"/> | 202RW40 | 26" Spinergy LX Black | \$995.00 |

Rear Wheel Tire

See Availability Matrix

| | | | |
|--------------------------|---------|----------------------------------|----------|
| <input type="checkbox"/> | 202RT1 | Pneumatic | NC |
| <input type="checkbox"/> | 202RT2 | Pneumatic w/ Airless Insert | \$221.00 |
| <input type="checkbox"/> | 202RT3 | Full Poly | NC |
| <input type="checkbox"/> | 202RT6 | High-Pressure Clincher | \$93.00 |
| <input type="checkbox"/> | 202RT27 | Knobby V- Trak | \$108.00 |
| <input type="checkbox"/> | 202RT21 | Schwalbe Marathon Plus Evolution | \$141.00 |
| <input type="checkbox"/> | 202RT38 | SHOX Performance Poly | \$130.00 |

Short Axle Plate/Wheel Size Matrix

| | | | | |
|---------------------------|------------|------------|------------|------------|
| Rear Seat to Floor Height | 22" | 24" | 25" | 26" |
| | 14.0 | | | |
| | 14.5 | 15.0 | 15.0 | 16.0 |
| | 16.0 | 15.5 | 15.5 | 17.5 |
| | 16.5 | 17.0 | 17.0 | 18.0 |
| | 17.0 | 17.5 | 17.5 | 18.5 |
| | 17.5 | 18.0 | 18.0 | 19.0 |

Rear Tire & Wheel Matrix

| Tire | Wheel | Mag | Lite Spoke | Ultra Lightweight | Spinergy |
|--|-------|-------|-------------|-------------------|-------------|
| Pneumatic | | 22,24 | 22,24,26 | | 22,24,26 |
| Pneumatic w/ Airless Insert | | 22,24 | 22,24 | | 22,24,26 |
| Full Poly | | 22,24 | 22,24 | | |
| High-Pressure Clincher | | | 22,24,25,26 | 22,24,25 | 22,24,25,26 |
| Knobby V Trak by Kenda | | | | | 24 |
| Schwalbe Marathon | | | 24,25,26 | | 24,25,26 |
| SHOX Performance Poly | | 24 | 24,25 | | 24,25 |
| 22" = 489 24" = 540 25" = 559 26" = 590 | | | | | |

Handrim

Plastic not available on all wheels in all sizes. Natural Fits are NA w/ 26"

| | | | |
|--------------------------|---------|--------------------------------|----------|
| <input type="checkbox"/> | 202HR1 | Aluminum Anodized | NC |
| <input type="checkbox"/> | 202HR4 | Plastic | \$130.00 |
| <input type="checkbox"/> | 202HR22 | Natural Fit - Standard Grip | \$335.00 |
| <input type="checkbox"/> | 202HR23 | Natural Fit - Super Grip | \$389.00 |
| <input type="checkbox"/> | 202HR30 | Natural Fit LT - Standard Grip | \$466.00 |
| <input type="checkbox"/> | 202HR31 | Natural Fit LT - Super Grip | \$530.00 |

Center of Gravity Preset

Measure from front of back post to center of rear axle

| | | | |
|--------------------------|--------|------|----|
| <input type="checkbox"/> | 202CC2 | 1.0" | NC |
| <input type="checkbox"/> | 202CC3 | 1.5" | NC |
| <input type="checkbox"/> | 202CC4 | 2.0" | NC |
| <input type="checkbox"/> | 202CC5 | 2.5" | NC |
| <input type="checkbox"/> | 202CC6 | 3.0" | NC |

Camber

| | | | |
|--------------------------|--------|----|----|
| <input type="checkbox"/> | 202C11 | 0° | NC |
| <input type="checkbox"/> | 202C12 | 3° | NC |

Axle

| | | | |
|--------------------------|---------|---|----------|
| <input type="checkbox"/> | 202AX1 | Quick Release Steel | NC |
| <input type="checkbox"/> | 202AX13 | Quad Quick Release <i>Only available with Mag wheels</i> | \$163.00 |

Axle Plates

See Short Axle Plate Matrix for RSH Availability

| | | | |
|--------------------------|---------|-------------------------------|----|
| <input type="checkbox"/> | 202AL40 | Standard Short (COG 1" to 3") | NC |
| <input type="checkbox"/> | 202AL43 | Standard Long (COG 1" to 3") | NC |

Wheel Lock

Not all wheel locks available in all seat depths, wheel sizes and COG settings

| | | | |
|--------------------------|---------|-----------------|----------|
| <input type="checkbox"/> | 202WL1 | High Mount Push | NC |
| <input type="checkbox"/> | 202WL2 | High Mount Pull | NC |
| <input type="checkbox"/> | 202WL45 | Ergo Scissor | \$141.00 |
| <input type="checkbox"/> | 202WL30 | Compact | \$125.00 |
| <input type="checkbox"/> | 202WL10 | Omit Wheel Lock | NC |
| <input type="checkbox"/> | 202WL12 | Do Not Mount | NC |

Extension Handle

Only available w/ High Mount Push or Pull Wheel Locks

| | | | |
|--------------------------|--------|--------------------------|---------|
| <input type="checkbox"/> | 202EH7 | Extension handles (Pair) | \$65.00 |
|--------------------------|--------|--------------------------|---------|

5. ARMREST

Armrest - Padded Swing Away

Preset to 10". Some limitations may exist with integral and folding push handles Range 9"-13".

| | | | |
|--------------------------|---------|------------------------------|----------|
| <input type="checkbox"/> | 202AA18 | Padded Swing-Away - Standard | \$249.00 |
|--------------------------|---------|------------------------------|----------|

Armrest - Height Adjustable

| | | | |
|--------------------------|---------|--|----------|
| <input type="checkbox"/> | 202AA11 | Single Post Ht. Adjust. Std (8.5"-13.5") | \$304.00 |
| <input type="checkbox"/> | 202AA29 | Single Post Ht. Adjust. Low (7"-11") | \$304.00 |

Armpad - For Height Adjustable

| | | | |
|--------------------------|---------|-----------------------------|----|
| <input type="checkbox"/> | 202AM23 | Desk Length - Classic (10") | NC |
| <input type="checkbox"/> | 202AM24 | Full Length - Classic (14") | NC |

Omit Armrest

| | | | |
|--------------------------|---------|--------------|----|
| <input type="checkbox"/> | 202AA14 | Omit Armrest | NC |
|--------------------------|---------|--------------|----|

Armrest Accessories

| | | | |
|--------------------------|---------|--------------------------|----------|
| <input type="checkbox"/> | 2028A05 | Gel Cover Swing Away Arm | \$130.00 |
|--------------------------|---------|--------------------------|----------|

6. BACKREST

Back Type

| | | | |
|--------------------------|---------|-----------------------------|----|
| <input type="checkbox"/> | 202BT82 | Folding Lock Down Angle Adj | NC |
| <input type="checkbox"/> | 202BT3 | Non-Folding Backrest | NC |

Push Handles

| | | | |
|--------------------------|--------|---|----------|
| <input type="checkbox"/> | 202PH6 | Integral Push Handles | NC |
| <input type="checkbox"/> | 202PH5 | Fold-Down Push Handles NA w/ 10-14" Back Height or Standard Upholstery. | \$151.00 |
| <input type="checkbox"/> | 202PH2 | Omit Push Handles | NC |

Height Adjustable Backrest

| | | | |
|--------------------------|---------|-----------------------|----|
| <input type="checkbox"/> | 202B110 | 10" - 14" Back Height | NC |
| <input type="checkbox"/> | 202B127 | 12" - 16" Back Height | NC |
| <input type="checkbox"/> | 202B111 | 14" - 18" Back Height | NC |
| <input type="checkbox"/> | 202B137 | 16" - 20" Back Height | NC |

Back Upholstery

| | | | |
|--------------------------|---------|--|----------|
| <input type="checkbox"/> | 202BU1 | Standard Upholstery | NC |
| <input type="checkbox"/> | 202BU70 | Backrest Tension Adj Ballistic Nylon *reference 186BU70 for billing | \$379.00 |
| <input type="checkbox"/> | 202BU71 | Backrest Tension Adj 3DX Vented *reference 186BU71 for billing | \$422.00 |
| <input type="checkbox"/> | 202BU14 | Omit Upholstery (Use w/ JAY Backs) | -\$20.00 |

JAY J3 Back

| | | | |
|--------------------------|---------|-------------|--------|
| <input type="checkbox"/> | 202JB01 | JAY J3 Back | See OF |
|--------------------------|---------|-------------|--------|

Military Service Patches

Only available on tension adjustable upholstery and Jay 3 Back

| | | | |
|--------------------------|---------|-----------------------------------|----|
| <input type="checkbox"/> | 202VU1 | US Marines Patch | NC |
| <input type="checkbox"/> | 202VU2 | US Army Patch | NC |
| <input type="checkbox"/> | 202VU3 | US Navy Patch | NC |
| <input type="checkbox"/> | 202VU4 | US Air Force Patch | NC |
| <input type="checkbox"/> | 202VU12 | US Coast Guard | NC |
| <input type="checkbox"/> | 202VU5 | Purple Heart | NC |
| <input type="checkbox"/> | 202VU8 | Purple Heart with Marines Patch | NC |
| <input type="checkbox"/> | 202VU9 | Purple Heart with Army Patch | NC |
| <input type="checkbox"/> | 202VU10 | Purple Heart with Navy Patch | NC |
| <input type="checkbox"/> | 202VU11 | Purple Heart with Air Force Patch | NC |
| <input type="checkbox"/> | 202VU13 | Purple Heart with Coast Guard | NC |

7. SEATING

Seat Sling

| | | | |
|--------------------------|--------|---------------------|----------|
| <input type="checkbox"/> | 202SL1 | Standard Seat Sling | NC |
| <input type="checkbox"/> | 202SL6 | Omit Seat Sling | -\$20.00 |

JAY Cushions (Optional)

To order any JAY cushions on-chair, please see the JAY price list.

Cushion name or part number must be filled out with desired width and depth

| | | | |
|--------------------------|---------|------------------------|--------------|
| <input type="checkbox"/> | 202JC20 | JAY Bundled Cushion | Price List |
| | | Cushion Name or Part # | |
| | | Width: _____ | Depth: _____ |

8. Key Options & Accessories

| Anti Tips | | | |
|--------------------------|--------|--------------------|----------|
| <input type="checkbox"/> | 202AT1 | Anti Tips (Pair) | \$108.00 |
| <input type="checkbox"/> | 202AT3 | Omit Rear Anti Tip | NC |

| Side Guards | | | |
|--------------------------|---------|--|----------|
| <input type="checkbox"/> | 202SG33 | Plastic - Standard (8.5" High) | \$168.00 |
| <input type="checkbox"/> | 202SG29 | Plastic - Low (6.5" High) | \$168.00 |
| <input type="checkbox"/> | 202SG35 | Aluminum <i>NA w/ height adj arms, push/pull wheel locks only available in black</i> | \$379.00 |
| <input type="checkbox"/> | 202SG36 | Aluminum w/ Fender <i>NA w/ height adj arms, push/pull wheel locks only available in black</i> | \$444.00 |

| Pack Accessories | | | |
|--------------------------|-------|-----------------------------|----------|
| <input type="checkbox"/> | 202A1 | Quickie Backpack Black | \$100.00 |
| <input type="checkbox"/> | 202A2 | Quickie Kids Backpack Black | \$93.00 |
| <input type="checkbox"/> | 202A8 | Seat Pouch Black | \$75.00 |

| Positioning Belt | | | |
|--------------------------|---------|-------------------------------------|---------|
| <input type="checkbox"/> | 202A142 | 1.5" Auto Buckle Universal w/clamps | \$87.00 |
| <input type="checkbox"/> | 202A120 | Positioning Belt Slide Clamps | \$55.00 |

| Spoke Guards | | | |
|--------------------------|---------|---------------------------|----------|
| <input type="checkbox"/> | 202A302 | Quickie Clear Spoke Guard | \$141.00 |
| <input type="checkbox"/> | 202A23 | Quickie Black Spoke Guard | \$141.00 |

| Miscellaneous | | | |
|--------------------------|----------|---|----------|
| <input type="checkbox"/> | 202DI07 | Neoprene Impact Guards | \$55.00 |
| <input type="checkbox"/> | 202A2100 | Crutch Holder <i>Only available with Integral or Fold Down push handles</i> | \$103.00 |
| <input type="checkbox"/> | 202A85 | Bolt-On Push Handles | \$125.00 |
| <input type="checkbox"/> | 202A83 | Tool Kit | \$38.00 |

10. COLOR

| Standard Frame Colors | | | |
|--------------------------|---------|--|----|
| <input type="checkbox"/> | 202C140 | Aztec Gold | NC |
| <input type="checkbox"/> | 202C2 | Black <i>(Not avail as base w/Zebra)</i> | NC |
| <input type="checkbox"/> | 202C141 | Black Cherry | NC |
| <input type="checkbox"/> | 202C10 | Black Opal | NC |
| <input type="checkbox"/> | 202C38 | Blue Opal | NC |
| <input type="checkbox"/> | 202C36 | Candy Blue | NC |
| <input type="checkbox"/> | 202C14 | Candy Purple | NC |
| <input type="checkbox"/> | 202C35 | Candy Red | NC |
| <input type="checkbox"/> | 202C142 | Electric Blue | NC |
| <input type="checkbox"/> | 202C143 | Evergreen | NC |
| <input type="checkbox"/> | 202C126 | Glow | NC |
| <input type="checkbox"/> | 202C144 | Green Apple | NC |
| <input type="checkbox"/> | 202C147 | Hot Sparkle Pink | NC |
| <input type="checkbox"/> | 202C148 | Mauve Pink | NC |
| <input type="checkbox"/> | 202C103 | Rootbeer | NC |
| <input type="checkbox"/> | 202C114 | Sparkle Silver | NC |
| <input type="checkbox"/> | 202C145 | Sunrise Orange | NC |
| <input type="checkbox"/> | 202C113 | Titanium Color Paint | NC |
| <input type="checkbox"/> | 202C8 | Yellow | NC |

| Matte Frame Colors | | | |
|--------------------------|---------|---------------------|----|
| <input type="checkbox"/> | 202C116 | Matte Black | NC |
| <input type="checkbox"/> | 202C151 | Matte Black Cherry | NC |
| <input type="checkbox"/> | 202C150 | Matte Electric Blue | NC |
| <input type="checkbox"/> | 202C149 | Matte Evergreen | NC |
| <input type="checkbox"/> | 202C152 | Matte Purple | NC |

| Custom Frame Color | | | |
|--------------------------|---------|---|----------|
| <input type="checkbox"/> | 202C112 | Desert Camouflage | \$330.00 |
| <input type="checkbox"/> | 202C43 | Mossy Oak Camouflage | \$330.00 |
| <input type="checkbox"/> | 202C42 | Stars & Stripes | \$330.00 |
| <input type="checkbox"/> | 202C108 | Zebra <i>(Choose above base color) Std with White unless above base paint is chosen NA w/ Blk, Matte Black, Blk Opal, Titanium)</i> | \$330.00 |

| Additional Options Through Built for Me |
|---|
| <p><i>To inquire about any unique customization for Quickie products, contact: Phone: (800) 263 - 3390, Fax: (800) 561 5834</i></p> |

