



Serial Number: \_\_\_\_\_

Manufacturing Date: \_\_\_\_\_/20\_\_\_\_



Sunrise Medical Head Office: 237 Romina Drive, Unit 3  
Concord, ON  
L4K 4V3, Canada

Telephone: +1.800.263.3390  
Fax: +1.800.561.5834  
csrcanada@sunmed.com www.sunrise.ca



Distributor Name: \_\_\_\_\_

Contact Name: \_\_\_\_\_

Address: \_\_\_\_\_

Postcode: \_\_\_\_\_

Country: \_\_\_\_\_

Telephone: \_\_\_\_\_

Email: \_\_\_\_\_

Dealers Name: \_\_\_\_\_

Client's Name: \_\_\_\_\_

Client's Weight: \_\_\_\_\_

Client's Height: \_\_\_\_\_

Client's Disability: \_\_\_\_\_

Purchase Order No: \_\_\_\_\_

Delivery Address: \_\_\_\_\_

Postcode: \_\_\_\_\_

Contact Name: \_\_\_\_\_

Telephone: \_\_\_\_\_

Email: \_\_\_\_\_

Notes/Comments:

Do Not Use for Specification Information

**FOR RGK OFFICE USE ONLY**

Distributor: \_\_\_\_\_

A/C No: \_\_\_\_\_

Net Value: \$ \_\_\_\_\_

Freight: \$ \_\_\_\_\_

Invoice Value: \$ \_\_\_\_\_

Payment Received: \$ \_\_\_\_\_

	Who	Date
OK to Quote:		
OK to Confirm:		
Document No:	DOC	

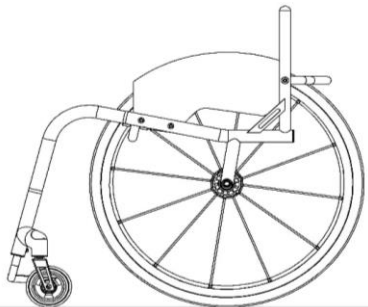
●	Base product	⚠	Mandatory information	ⓘ	Information required for option
■	Standard configuration	□	Option with no extra cost	○	Option with extra cost

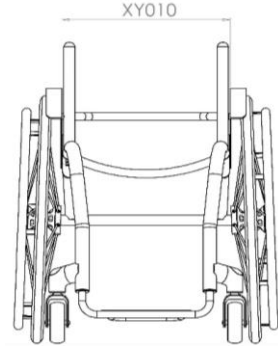
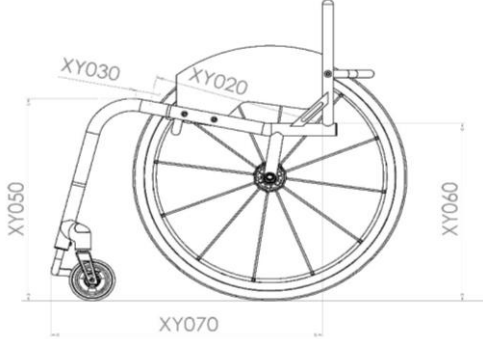

●	SBAXZ010	TIGA Sub4 A7020	
	\$	6,650.00	
■	XA070	Frame open design	

Max User Weight 110kg



**KEY FRAME MEASUREMENTS**

■	XY010	Seat width (Inside of sideguards)			
⚠			mm	(Max - 440mm) (Min - 250mm)	
■	XY020	Seat length			
⚠			mm	(Max - 440mm) (Min - 250mm)	
■	XY030	Seat frame additional length (Provides additional leg support & hand grip)			
ⓘ			mm	(Max - 440mm total seat)	
■	XY050	Front frame height			
⚠			mm	(Max - 520mm) (Min - 380mm)	
■	XY060	Rear frame height			
⚠			mm	(Max - 500mm) (Min - 360mm)	
■	XY070	Frame length			
⚠			mm	(Min = XY020 + XY030 + 110mm) (Max - 625mm)	
○	XA020	Frame ergonomic seat			
	\$	93.00			
ⓘ		Specify length			
			mm	(Standard = 120mm)	

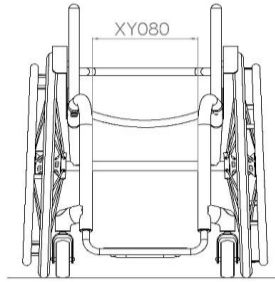
**FRONT FRAME AND FOOTREST**

Front Frame Options

XY080 Front seat taper design

Specify width  
 mm

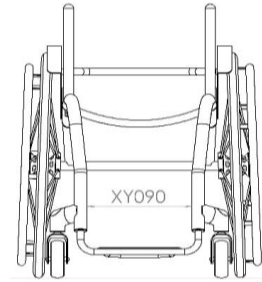
*(Optional, to provide additional leg support / positioning)*



Footrest width

Specify width  
 mm

*(When combined with XY080, dimensions must be smaller)*



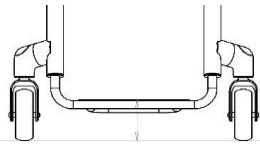
Footrest Design & Measurements (Choose One)

XY100 Footrest round design (Minimum 60mm)

Please indicate front footrest height:

60  80  100  120

Individual  mm



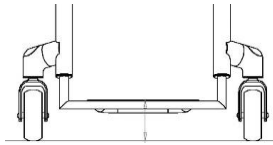
Castor Wheel Size	Max Height Achievable
4"	110mm

XY105 Footrest square design (Square design allows higher position) (Minimum 60mm)

Please indicate front footrest height:

60  80  100  120

Individual  mm



Castor Wheel Size	Max Height Achievable
4"	130mm

Footrest Individual Measurements

Rear footrest height

mm

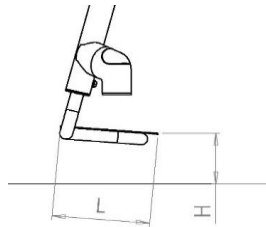
Optimise measurements (Std = Footrest height - 20mm)

Footrest length

mm

Maximum length 140mm

Optimise measurements (Std = 100mm)



Footrest Style

XB010 Footrest height adjustable lightweight tubular aluminium

Footrest Cover

XB045 Footrest cover lightweight carbon fibre

**CASTOR WHEELS, FORKS & WHEEL LOCKS**

Castor Wheels

- XC135 Castor wheel 4x1.25" aluminium centre with urethane tyre frog legs  
Choose colour below:



- |  |   |
|--|---|
| <input type="checkbox"/> Silver hub & black tyre (Std) | <input type="checkbox"/> Green hub & black tyre |
| <input type="checkbox"/> Black hub & black tyre        | <input type="checkbox"/> Red hub & black tyre   |
| <input type="checkbox"/> Purple hub & black tyre       | <input type="checkbox"/> Blue hub & black tyre  |

Castor Forks

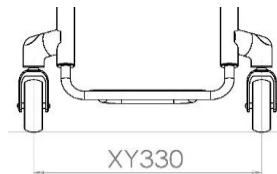
- XC190 Castor fork low ride daily use



- Black
- Silver

Castor Pin Width

- XY330 Castor pin width
- Optimise measurements  
*(Minimum width for clear castor rotation and maximum wheelbase length)*



Wheel Lock Options

- SBAXD036 Wheel locks compact scissor with lightweight fixing
- XD010 Wheel locks omit

**SIDEGUARDS**

Sideguard

Carbon Fibre Options

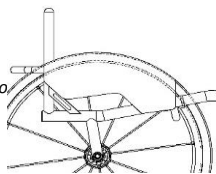
- XE055 Sideguards screw on lightweight carbon fibre

Sideguard Measurements  
Optimised measurements

- Sideguard individual above tyre  
*(Follow tyre) max 25mm*

mm

- Sideguard level with tyre *(Follow tyre)*



Sideguard with Fender  
Carbon Fibre Options

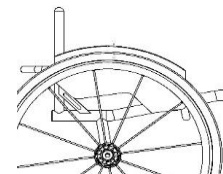
- XE065 Sideguards screw on lightweight carbon fibre with fender

Sideguard Measurements  
Optimised measurements

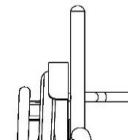
- Fender sideguard height above tyre *(Min = 10mm)*

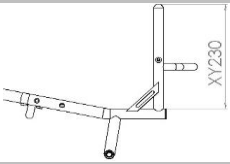
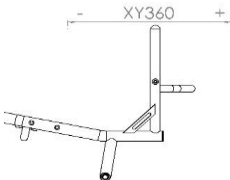
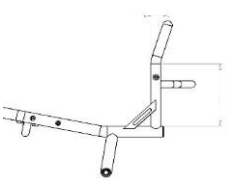
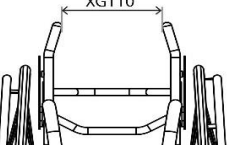
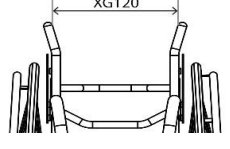

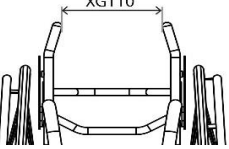

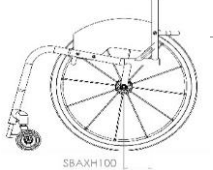
mm

- Optimise  
10mm above tyre *(Std if not indicated)*



- Fender sideguard to centre of tyre



BACKREST	
Backrest Height - Fixed	Backrest Design - Fixed
<input checked="" type="checkbox"/> Backrest height fixed Specify height <input style="width: 100px;" type="text"/> mm 	<input checked="" type="checkbox"/> XG010 Backrest fixed (Non-folding)
Ergonomics - Rearward Positioning (Choose One)	
<input checked="" type="checkbox"/> XY360 Backrest angle -5   -3   0   +3   +5 Individual <input style="width: 100px;" type="text"/> Deg (Max -10/+20 Deg) 	<input type="checkbox"/> XG100 Backrest ergonomic \$ 113.00 Vertical height (Min 250mm) <input style="width: 100px;" type="text"/> mm Rearward position <input style="width: 100px;" type="text"/> mm 
Ergonomics - Lateral Positioning (Choose One)	
<input type="checkbox"/> XG110 Backrest inward taper \$ 113.00 (Above sideguards) Width <input style="width: 100px;" type="text"/> mm 	<input type="checkbox"/> XG120 Backrest outward flare \$ 113.00 (Above sideguards) Width <input style="width: 100px;" type="text"/> mm 
CAMBER BAR	
Specify Camber Angle	Fixed Centre of Gravity
<input checked="" type="checkbox"/> XY390 Camber angle  1   2   3 	<input checked="" type="checkbox"/> SBAXH100 Camber bar fixed position welded into frame single post (25-125mm)  <input style="width: 100px;" type="text"/> mm 
FRAME FINISH OPTIONS	
Frame and Footrest	
<input type="checkbox"/> SBAXN030 Finish frame brushed	<input type="checkbox"/> SBAXN050 Finish frame polished
Accent Colour (Choose One)	
<input type="checkbox"/> Finish accent colour black <input type="checkbox"/> Finish accent colour red <input type="checkbox"/> Finish accent colour purple	<input type="checkbox"/> Finish accent colour silver <input type="checkbox"/> Finish accent colour blue
UPHOLSTERY	
Seat Upholstery	
<input checked="" type="checkbox"/> XP045 Upholstery seat sling Sub4 adjustable tension	
Backrest Upholstery	
<input checked="" type="checkbox"/> XP035 Upholstery backrest Sub4 adjustable tension	
Backrest Upholstery Stitching Options	
<input type="checkbox"/> Silver (Standard if not indicated) <input type="checkbox"/> Red	<input type="checkbox"/> Black <input type="checkbox"/> Light blue
<input type="checkbox"/> Blue <input type="checkbox"/> Purple	
Other Upholstery	
<input checked="" type="checkbox"/> XS065 Accessory lightweight Calf Strap	

REAR WHEELS (* non certified weight options)	
Wheel Size	
<input type="checkbox"/> XY420 Wheel size 24"	<input type="checkbox"/> XY430 Wheel size 25"
Wheel Gap	
<input checked="" type="checkbox"/> XY460 Rear wheel gap 15 <input type="checkbox"/> 20 <input type="checkbox"/> 25 <input type="checkbox"/>	
Wheel Options	
<input checked="" type="checkbox"/> XK225 Wheel titanium quick release axle pin (pair)	<input checked="" type="checkbox"/> XK075 Wheel Spinerger <b>BLXL</b> 18 blade spoke daily, rivnut handrim mounting (select colour below - <b>Note: Black hub only</b> )
Spinerger Colour Options	
<input type="checkbox"/> Black spoke / Black hub <input type="checkbox"/> Red spoke / Black hub <input type="checkbox"/> Yellow spoke / Black hub <input type="checkbox"/> Pink spoke / Black hub	<input type="checkbox"/> White spoke / Black Hub <input type="checkbox"/> Blue spoke / Black hub <input type="checkbox"/> Green spoke / Black hub <input type="checkbox"/> Orange spoke / black hub
<input type="checkbox"/> XK040 Wheel omit / supply without \$ (206.00) (Specify wheel type / size / tyre)	<input type="radio"/> XK180 Spinerger spoke colour custom \$ 165.00 (Specify below) Colour inside <input style="width: 100px; height: 20px;" type="text"/> Colour outside <input style="width: 100px; height: 20px;" type="text"/> Note: Supply picture for custom designs
Handrim Position	
<input type="checkbox"/> Handrim set narrow (Standard if no option selected)	<input type="checkbox"/> Handrim set wide
Handrim Options	
<input type="checkbox"/> XL010 Handrim aluminium hard anodised 6 tab (Lightest Option) (Standard if no option selected)	<input type="radio"/> XL040 Handrim titanium 6 tab \$ 345.00
<input type="radio"/> XL030 Handrim surge LT 6 tab \$ 484.00	<input type="radio"/> XL050 Handrim stainless steel 6 tab \$ 191.00
<input type="radio"/> XL020 Handrim tetra grip 6 tab \$ 309.00	<input type="radio"/> XL090 Handrim remove excess mounting tab \$ 113.00 (Recommended when XY460 is 20mm or less) (Narrow set only)
<input type="radio"/> XL100 Handrim para grip 6 tab \$ 309.00	
Tyre Options	
<input type="radio"/> XM060 Tyre Schwalbe One (Lightest option) \$ 103.00	<input type="checkbox"/> XM010 Kenda Tyre High Pressure (Standard if no option selected)
<input type="radio"/> XM130 Kenda black \$ 21.00	<input type="checkbox"/> Grey <input type="checkbox"/> Blue <input type="checkbox"/> Red
<input type="radio"/> XM020 Tyre Schwalbe Marathon Plus \$ 77.00	
<input type="radio"/> XM040 Tyre Shox solid airless black only \$ 124.00 (24", 25" only)	<input type="radio"/> XM050 Tyre Kenda K885 mountain bike tyre \$ 31.00 (24", 25" only)
Inner Tube Valve Options	
<input type="checkbox"/> XY500 Schraeder inner tube valve (Standard if no option selected)	<input type="checkbox"/> XY490 Presta inner tube valve

\* Indicates items that are not part of the certified weight of the Tiga Sub4

**CUSHION (\*\* non certified weight options)**

- XP080 Upholstery cushion foam with nylon cover  
\$ 93.00
- Cushion foam soft (CMS040)
- Cushion thickness 50mm
- Cushion foam medium (CMS050)
- Cushion thickness 75mm
- Cushion foam hard (9lb recon)
- Cushion thickness 100mm
- XP090 Upholstery cushion cover upgrade to Air Lite  
\$ 77.00
- XP100 Upholstery cushion cover upgrade to leather  
\$ 196.00
- Leather colour black
- Leather colour red
- Leather colour grey

**FRAME OPTIONS (\*\* non certified weight options)**

- XR060 Accessory welded calf strap mounting loops  
\$ 118.00 (To locate calf strap on front frame)
- XR080 Accessory frontwheel assembly (Only with XB010, TGAXB080, XB150)  
\$ 814.00
- Frontwheel serial number  
 (Office use only)


**ACCESSORIES (\*\* non certified weight options)**

- XP120 Upholstery frame protectors neoprene zip fasten with TIGA logo  
\$ 65.00 (Nylon with velcro fasten with XR060)
- XR010 Accessory seat pouch velcro attach  
\$ 46.00 (Black)
- XR020 Accessory large underseat storage bag (Black)  
\$ 98.00
- XR090 Accessory toolkit

\*\* indicates options that, when chosen, will not enable RGK to guarantee a Sub4kg product weight

**OTHER (\*\* non certified weight options)**
**Footrest**

- XB200 Footrest with high level riser system  
\$ 155.00

Please indicate front footrest height:  
  mm

**Castor wheels 3 and 5"**

- XC150 Castor wheel 3x1.4" aluminium centre frog legs  
\$ 180.00 *(Silver hub and black urethane tyre)*
- XC070 Castor wheel 5x1.3" soft roll black
- XC100 Castor wheel 5" pneumatic  
\$ 191.00 aluminium centre
- XC120 Castor wheel 5x1" aluminium centre frog legs  
\$ 180.00 *(Silver hub & black urethane tyre)*
- XC140 Castor wheel 5x1.4" aluminium centre frog legs  
\$ 180.00 *(Silver hub & black urethane tyre)*

**Wheel Lock Options**

- XD020 Wheel locks underseat scissor  XD050 Wheel locks push to lock

**Sideguards**

- XE030 Sideguards screw on aluminium, indicate size on page 4  
\$ 252.00

**Backrest Options**

- SBAXG020 Backrest folding with 2 position snap lock and angle adjust  
\$ 295.00

**Push handle Options**

- XG070 Backrest with screw in push handles *(N/A with XY245)*  XG080 Backrest with flip down push handles  
\$ 175.00 \$ 340.00

**Anti-Tip Options**

- XJ100 Anti tip single sport  
\$ 390.00

**Seat Upholstery**

- XP040 Upholstery seat sling adjustable tension with straps  XR050 Accessory carbon fibre seat plate in lieu of seat upholstery  
\$ 371.00

**Backrest Upholstery**

- XP050 Upholstery backrest Airtech adjustable tension with straps

**Backrest Upholstery Leather Options (only with XP050)**

- XP070 Upholstery upgrade to leather corners on side wings - *(N/A with XG080)*  
\$ 93.00
- Leather colour black *(Standard if not Indicated)*  Leather colour red  Leather colour grey

**Backrest Upholstery Stitching Options (only with XP050)**

- Silver *(Standard if not indicated)*  Black  Blue
- Red  Light blue  Purple

**Backrest Upholstery Logo Options (only with XP050)**

- Silver *(Standard if not indicated)*  Black  Blue
- Red  Light blue  Purple

**Backrest Accessories (only with XP050)**

- XP110 Upholstery backrest with zip fasten pocket \$ 98.00  XP170 Upholstery with individual embroidery \$ 155.00 *(Please provide .jpeg file and positioning)*

\*\* indicates options that, when chosen, will not enable RGK to guarantee a Sub4kg product weight



